

Built-in Dishwasher, Tall, Sanitize

Series 9 | Contemporary

Stainless Steel



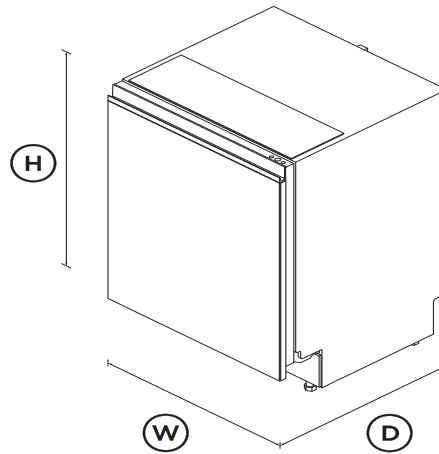
Offering a superior wash performance and advanced drying, this dishwasher is designed to fit flush under your benchtop for a seamless look.

- Designed to be built under your benchtop, fitting flush with cabinetry for a seamless look
- Eight wash programs from Heavy to Light, including Auto, 60min and Glassware
- Dry+, Sanitize, Half Load and Intensive modifiers provide extra wash options

- Wi-Fi enabled and works with the SmartHQ™ app for remote control and notifications

DIMENSIONS

Height	33 3/4 - 36 1/8"
Width	23 1/2"
Depth	22 5/8"



FEATURES & BENEFITS

SEAMLESS DESIGN

Install this dishwasher flush under your benchtop with minimal gaps. Designed to match our Contemporary family of appliances with a recessed handle for a seamless finish in your kitchen.

ADVANCED DRYING

For beautifully dry dishes every time, this dishwasher features an

advanced drying system that combines fan-assisted drying and automatic door opening at the end of the cycle. By opening to release excess steam, Auto Door Open Dry helps to ensure your dishes come out dry and ready to use or store.

AN EXCEPTIONAL CLEAN

This dishwasher offers eight wash programs including Glassware and Auto, which automatically senses the optimal wash settings for your dishes. The three-stage filtration system delivers a superior clean, while the rinse aid indicator reminds you to top up for beautifully clean dishes.

CUSTOMIZE YOUR WASH

Create the perfect wash with our range of modifiers, from Intensive for a thorough clean to Half Load, ideal for a partial load. The Sanitize modifier provides extra protection, killing 99.9% of bacteria* in the final rinse, while Dry+ is great for plastic dishes. *Certified to NSF/ANSI Standard 184

QUIET PERFORMER

Running at a very low decibel rating, this dishwasher does its job without making a fuss. The combination of clever technology and simple mechanics means greater reliability and superior wash performance, with minimal noise.

EFFICIENT PERFORMANCE

With an Energy Star Most Efficient rating, this dishwasher is recognised as among the most energy efficient models on the market. Use the Eco wash program for optimal water and energy consumption, or choose when the cycle begins with Delay Start.

FLEXIBLE LOADING

Designed to fit 15 place settings, this spacious model lets you stack large items with ease. Adjustable rack options provide flexibility for any load, with a full-width cutlery tray, height-adjustable middle rack, cup holders and wine glass supports.

SPECIFICATIONS

Accessories

Cutlery basket •

Accessories (sold separately)

Handle kit Contemporary **AHD5-OBDD-60SB**

Capacity and loading

Accommodates round plates **12 9/16"**

Accommodates round plates **9 13/16"**

Adjustable height, foldable •

Easy lift adjustable upper •

Fold down tines •

Full width cutlery/utensil tray •

Large crockery insert in lower •

Place settings **15**

Telescopic slides •

Wine glass supports with •

Consumption

Energy rating **Energy star Most efficient**

Energy usage **210kWh/year**

Water usage (per wash cycle) **3.2 gal**

Controls

Child lock •

Energy saving delay start •

Floor light cycle feedback •

Internal light •

Internal wash selector •

Intuitive capacitive touch •

Rinse aid indicator light •

Wi-Fi connectivity •

Features

Air curtain for bench •

Auto Door Open Dry •

Fan assisted drying •

Flood protection •

Fully independent spray arms •

Half load option •

Internal tub material **Stainless Steel**

Motor type **BLDC**

Variable wash pressure •

Performance

Noise emissions **42dBA**

Power requirements

Supply frequency **60Hz**

Supply voltage **120V**

Product dimensions

Depth **22 5/8"**

Height **33 3/4 - 36 1/8"**

Width **23 1/2"**

Warranty

Parts and labor **Limited 2 years**

Wash Program Modifiers

Dry + •

Half-load •

Intensive •

Sanitize •

Wash modifiers **4**

Wash Programs

60 min •

Auto •

Eco •

Glassware •

Heavy •

Light •

Medium •

Rinse •

Wash programs **12**

Water connection

Water pressure **30kPa - 1000 kPa**

SKU **82444**

The product dimensions and specifications in this page apply to the specific product and model. Under our policy of continuous improvement, these dimensions and specifications may change at any time. You should therefore check with Fisher & Paykel's Customer Care Centre to ensure this page correctly describes the model currently available. ? Fisher & Paykel Appliances Ltd 2020

Other product downloads available at fisherpaykel.com

- [↓](#) Service & Warranty
- [↓](#) User Guide Dishwasher
- [↓](#) Energy Label Dishwasher
- [↓](#) Installation Guide Built-in Dishwasher
- [↓](#) Preliminary Specification Guide Dishwasher



A PEACE OF MIND SALE

24 Hours 7 Days a Week Customer Support

T 1.888.936.7872 W www.fisherpaykel.com