



EN	INSTALLATION MANUAL USER AND MAINTENANCE MANUAL DW24S3IPV	3
ES	MANUAL DE INSTALACIÓN MANUAL DE USO Y MANTENIMIENTO DW24S3IPV	51
FR	MANUEL D'INSTALLATION MANUEL D'UTILISATION ET D'ENTRETIEN DW24S3IPV	103

FROM THE DESK OF OUR PRESIDENT

Dear new owner of a Bertazzoni appliance,

I want to thank you for choosing one of our beautiful products for your home.

My family started manufacturing kitchen appliances in Italy in 1882, building a reputation for quality of engineering and passion for good food.

Today, our products stand out because of their unique blend of authentic Italian design and superior appliance technology. It is our mission to make products that function perfectly and bring joy to their owners.

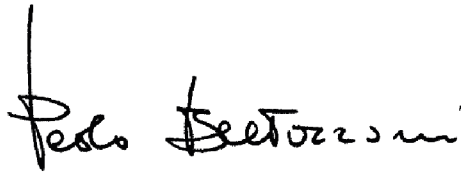
By making beautiful products we respond to our customers' flair for good design. By making them versatile and easy-to-use, cooking with Bertazzoni becomes a real pleasure.

This manual will help you learn to use and care for your Bertazzoni appliance in the safest and most effective way, so that it can give you the highest satisfaction for years to come.

Enjoy!

Paolo Bertazzoni

President

A handwritten signature in black ink that reads "Paolo Bertazzoni". The signature is written in a cursive style with a vertical line above the first letter 'P'.

USER MANUAL VALIDITY

The following manual is valid for all the product codes mentioned below:

- DW24S3IPV

CONTENTS

GENERAL INFORMATION	7
SAFETY INFORMATION	7
RECYCLING	8
INSTALLATION MANUAL	9
SPECIFICATIONS	9
GENERAL APPEARANCE	9
TECHNICAL SPECIFICATIONS	9
INSTALLATION	10
CUTOUT DIMENSIONS	10
CUSTOM DOOR PANEL (FOR PANEL-READY MODELS)	10
ELECTRICAL REQUIREMENTS	10
PLUMBING REQUIREMENTS	11
INSTALLATION	13
USER AND MAINTENANCE MANUAL	23
USE	23
GETTING STARTED	23
PLATE ARRANGEMENT	24
RACKS	28
OPERATION	33
LIGHTS	38
DETERGENT & RINSE-AID DISPENSER	38
SALT DISPENSER (FOR MODELS WITH WATER SOFTENER)	40
CLEANING AND CARE	42
SPRAY ARMS	42
FILTER	43
TROUBLESHOOTING	44
TROUBLESHOOTING	44
AUTOMATIC FAULT WARNINGS AND WHAT TO DO	45
PRACTICAL INFORMATION	46
WARRANTY AND ASSISTANCE	47
TWO-YEAR LIMITED WARRANTY STATEMENT	47
WHAT THIS LIMITED WARRANTY COVERS	47
GLASS PROTECTION POLICY	47
HOW TO OBTAIN SERVICING	47
WARRANTY EXCLUSIONS – WHAT IS NOT COVERED	47

GENERAL INFORMATION

These instructions are suitable for different types of appliances, so they may contain descriptions of functions which your appliance may not include or support.

The images and illustrations in this document refer to various models and may differ slightly from the product purchased.

The manufacturer does not accept any liability for personal injury or damage to property arising from incorrect installation or misuse of the appliance.

The manufacturer reserves the right to modify the various models as required to comply with the technical regulations in force.

In the event of complaints, please contact customer service. Read the instructions provided in this manual thoroughly before installing and/or using the appliance. This will help you get to know your new appliance. Keep this document at hand so that you can consult it at any moment, and pass it on to any subsequent owners.

Read the safety messages provided in the introduction to this manual and give due consideration to the safety notes, such as: "Attention", "Warning" and "Danger" which appear in the text.



DANGER

This symbol indicates a situation that is a danger to you and others. Read it carefully and make sure that you have perfectly understood the causes of potential dangerous or fatal accidents.



WARNING

This symbol indicates safety information. Read it carefully and make sure that you have perfectly understood the causes of potentially dangerous accidents.



CAUTION

This symbol indicates a procedure which could put the appliance's structure or components at risk. Take particular care over these procedures.



NOTE

This symbol highlights methods or procedures for correct use of the appliance.

The Model, Sales Code and Serial Number are printed on the nameplate. Refer to the Specifications section of this manual for nameplate location.



NOTE

You are advised to make a note of the appliance's data and serial numbers so they are immediately available if required.



NOTE

State the information provided on the nameplate to improve the efficiency of the after-sales and parts services. For warranty purposes, you will also need the date of installation and name of your authorized Bertazzoni dealer.



WARNING

When using your dishwasher, follow basic precautions. Read all instructions before using the dishwasher. Save these instructions and pass them on to any future user.

- Use the dishwasher only for its intended purpose.
- This appliance is intended for residential use only.
- Use only detergents or wetting agents recommended for use in a dishwasher and keep them out of the reach of children.
- When loading items to be washed:
 - place sharp items so they are not likely to damage the door seal, and
 - load sharp knives with the handles up to reduce the risk of injury.
- Do not wash plastic items unless they are marked "dishwasher safe" or equivalent. For unmarked plastic items, check the manufacturer's recommendations.
- Do not touch the heating element during or immediately after use.
- Do not tamper with the controls.
- Do not operate your dishwasher unless all enclosure panels are properly in place.
- Do not remove the dishes from the appliance until the wash cycle is complete.
- To avoid risk of injury, always use caution when opening the door during or following a wash cycle as hot water or steam may escape.
- Check that the detergent dispenser is empty after the completion of each wash cycle.
- Do not misuse, sit on, or stand on the door or dish rack of the dishwasher.
- The cup racks are designed to hold cups, glasses, and kitchen utensils. Do not lean on or use the cup racks to support your bodyweight.
- To avoid a tripping hazard, do not leave the dishwasher door open.

GENERAL INFORMATION

- Do not allow children to play in or on a dishwasher.
- When children become old enough to operate the appliance, it is your responsibility to ensure that they are properly instructed about the safety practices contained in this manual.
- This appliance must be grounded. In the event of a malfunction or breakdown, grounding will reduce the risk of electric shock by providing a path of least resistance for electric current. This appliance is equipped with a cord having an equipment grounding conductor and a grounding plug. The plug must be plugged into an appropriate outlet that is installed and grounded in accordance with all local codes and ordinances.



WARNING

Improper connection of the equipment-grounding conductor can result in a risk of electric shock. Check with a qualified electrician or service representative if you are in doubt whether the appliance is properly grounded. Do not modify the plug provided with the appliance if it does not fit the outlet. Have a proper outlet installed by a qualified electrician.



WARNING

Before any maintenance operation, turn off the appliance and disconnect the mains plug from the socket.

- Do not use high pressure water sprays and/or steam to clean the appliance.
- Ensure there are no visible water leaks during and after first use of the appliance.
- To avoid floor damage and possible mold growth, do not allow wet areas to remain around or under the dishwasher.
- To avoid dishwasher damage, do not allow water to remain in your dishwasher system through extended freezing periods.
- Do not store or use flammable liquids or vapors inside, near, or on the appliance.
- Under certain conditions, hydrogen gas may be produced in a hot water system that has not been used for two or more weeks. **HYDROGEN GAS IS EXPLOSIVE.** If the hot water system has not been used for two or more weeks, before using the dishwasher, turn on all hot water faucets and let the water flow from each for several minutes. This releases any accumulated hydrogen gas. As the gas is flammable, do not smoke or use an open flame during this time.
- Please check the water supply line periodically. It is susceptible to breakage. It becomes less flexible as time goes by. Replace it immediately when it is torn, cut, swollen, or there is water leakage.



WARNING

PROPOSITION 65 FOR CALIFORNIA RESIDENTS

Cancer and Reproductive Harm – www.P65Warnings.ca.gov

- Remove the door to the washing compartment when removing an old dishwasher from service or disposing of it. Ensure that the appliance presents no danger to children while being stored for disposal. Before disposing of the dishwasher:
 - Disconnect the appliance from the mains supply.
 - Cut off the mains cable and dispose of it.
 - Remove the door catch to prevent children and pets getting confined in the appliance.
- Old appliances may contain materials that can be recycled. Please contact your local recycling authority about the possibility of recycling these materials.
- Please keep the dishwasher package out of the reach of children after unpacking it.



WARNING

Risk of injury or suffocation! Ensure that any plastic wrappings, bags, small pieces, etc., are disposed of safely and kept out of the reach of children.

SAVE THESE INSTRUCTIONS

Remove the door to the washing compartment when removing an old dishwasher from service or disposing of it. Ensure that the appliance presents no danger to children while being stored for disposal. Before disposing of the dishwasher:

- Disconnect the appliance from the mains supply.
- Cut off the mains cable and dispose of it.
- Remove the door catch to prevent children and pets getting confined in the appliance

Old appliances may contain materials that can be recycled. Please contact your local recycling authority about the possibility of recycling these materials.

Please keep the dishwasher package out of the reach of children after unpacking it.



WARNING

Risk of injury or suffocation! Ensure that any plastic wrappings, bags, small pieces, etc., are disposed of safely and kept out of the reach of children.

SAVE THESE INSTRUCTIONS

SPECIFICATIONS

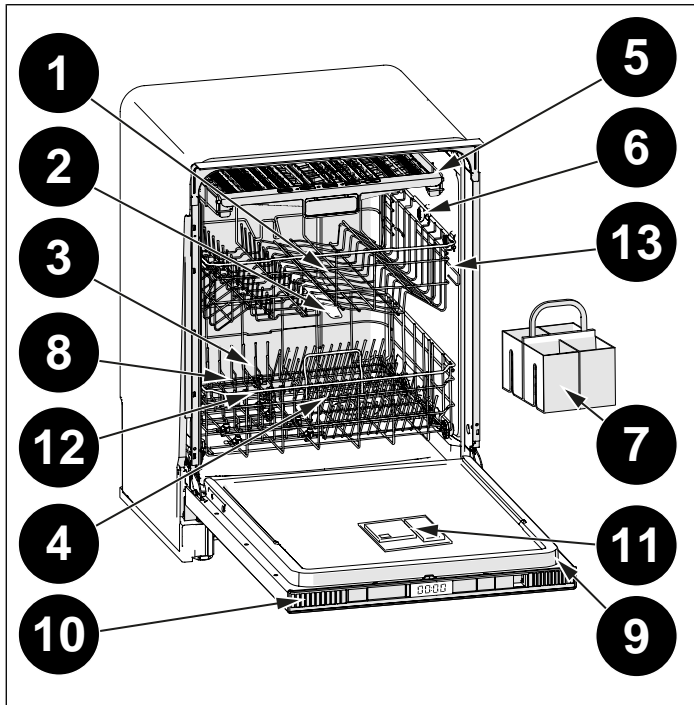


Fig. 1

NOTE

Because we continually strive to improve our products, we may change our specifications and design without prior notice. This device corresponds to the following directives:

UL 749 Household Dishwasher Directive.

GENERAL APPEARANCE

- 1) Upper basket
- 2) Upper spray arm
- 3) Lower basket
- 4) Lower spray arm
- 5) Third rack (depending on model)
- 6) Top nozzle (depending on model)
- 7) Silverware basket (depending on model)
- 8) Filters
- 9) Rating plates
- 10) Control panel
- 11) Detergent and rinse-aid dispenser
- 12) Salt dispenser (depending on model)
- 13) Upper basket track latch

TECHNICAL SPECIFICATIONS

Permissible water pressure	4.35-145psi (0.3 - 10 bars)
Electrical connection	120 V (volts), 12 A (amps), 60Hz (hertz)
Total power	1400 (W)
Heater power	1100 (W)

INSTALLATION

CUTOUT DIMENSIONS

Cabinet depth shown includes kitchen cabinet front panel. For a flush installation, a minimum inset depth of 22 1/2" (570) is required with a custom door panel thickness of 3/4" (20).

TOP VIEW

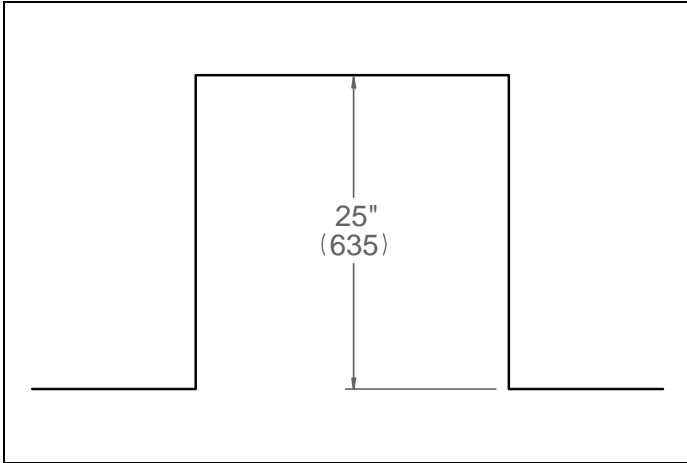


Fig. 2

FRONT VIEW

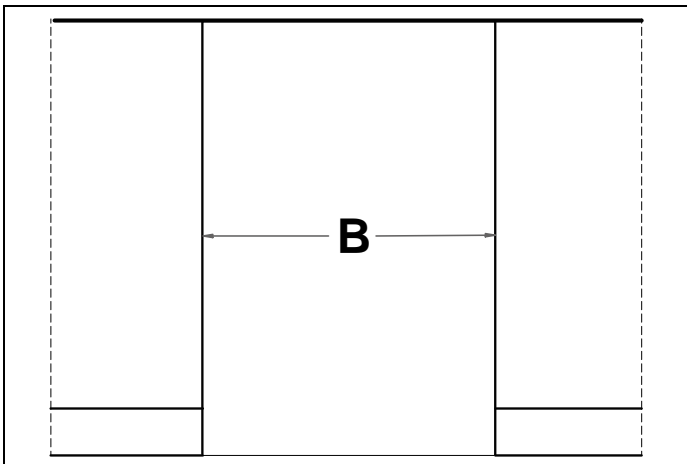


Fig. 3

- **B** 23 5/8" (600mm)* or 24" (610mm)**

* without side trims

** with side trims installed

SIDE VIEW

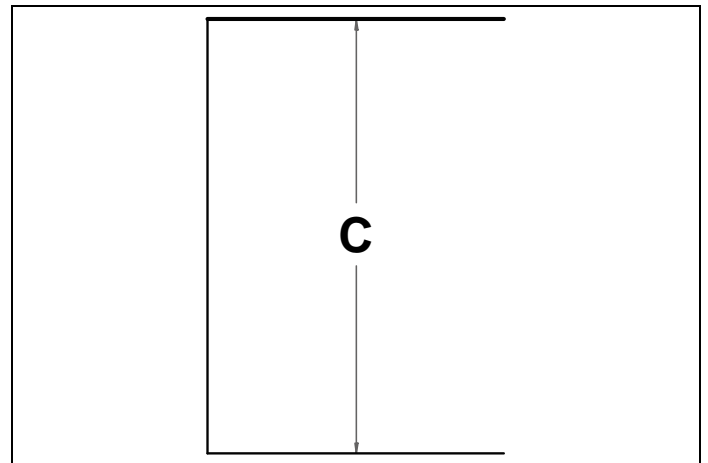


Fig. 4

- **C** 32 7/16" - 34 7/16" (824mm-874mm)

CUSTOM DOOR PANEL (FOR PANEL-READY MODELS)

The thickness of the custom panel may vary. A minimum 1/2" (13 mm) thick panel is required, but the thickness can be increased provided the panel does not exceed 18 lb (8 kg). The custom door panel template provided accommodates 25" 5/16 (592 mm) – 23" 7/16 (596 mm) wide panels.

FRONT VIEW

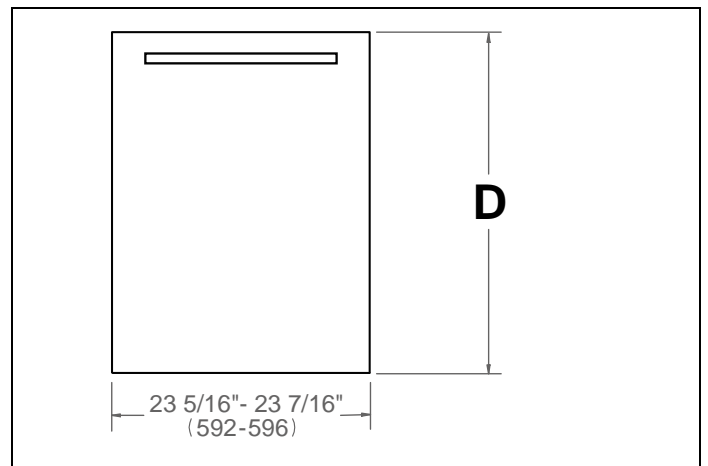


Fig. 5

- **D** 25 1/2" - 28 1/4" (647mm-717mm)

ELECTRICAL REQUIREMENTS

Please check the electrical standards and local codes before installing the appliance.

Connect to a properly rated, protected, and sized power supply circuit to avoid electrical overload. The dishwasher is designed for an electrical supply of 120 V (volts), 60 Hz (hertz), AC, connected to a separate, properly-grounded electrical circuit servicing only this appliance, with a fuse or

INSTALLATION

breakers rated for 15 amperes. Electrical supply conductors shall be a minimum of # 16 AWG copper wire rated at 167 °F (75 °C) or higher.

Never connect the ground wire to gas lines, or hot water pipes, plumbing lines.

Do not use any extension cord or portable outlet device to connect the dishwasher to a power supply.

These requirements must be met to prevent injury and damage to the machine. Consult a qualified electrician if in doubt.

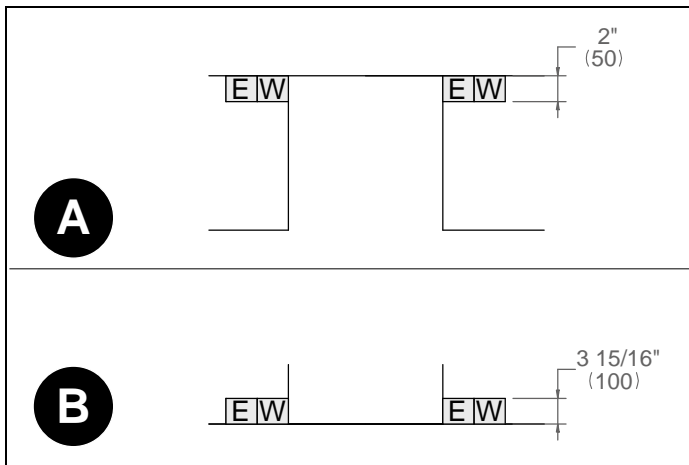


Fig. 6

- **A** TOP VIEW
- **B** FRONT VIEW



A properly-grounded, horizontally-mounted electrical receptacle should be installed according to this drawing.

Connections placement must be located on either side of the cutout.

PLUMBING REQUIREMENTS

Installation must comply with all applicable plumbing codes.

Place the water supply and drain in an adjacent cabinet.

Connect the water supply to a hot water household supply with an easily accessible shut-off valve between the supply and the unit.

The edges of the opening must be smooth and round.

The water supply may be connected to the dishwasher with either:

- A metal braided hose
- Copper tubing

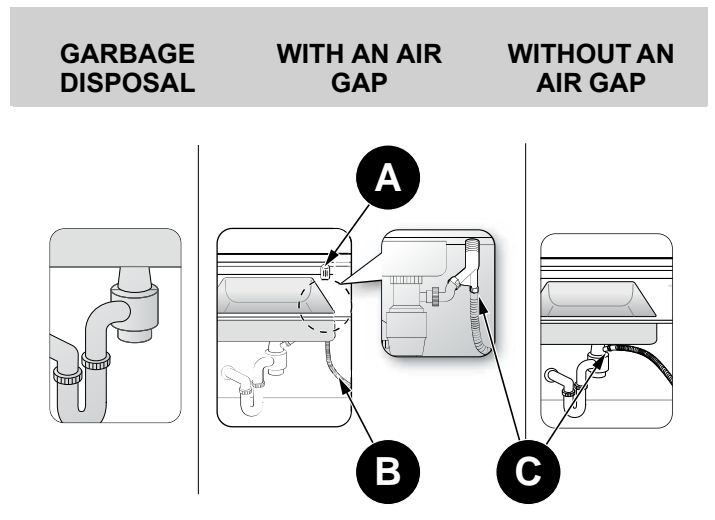
Use minimum 3/4" O. D. copper tubing or metal braided dishwasher supply line.

The dishwasher water inlet valve has an inlet coupling thread dimension of 3/4" – 11.5NH according to ASME B1.20.7-1991. When buying a water inlet hose for your dishwasher, please choose an inlet hose with thread dimension compatible with the water inlet valve coupling thread dimension (3/4" – 11.5NH) of your dishwasher.

A high loop drain line is factory installed on the unit. Do not remove the high loop clamp. If necessary, the drain tubing can be extended by a maximum of 5" (1.5m). The dishwasher drain hose must be installed with a drain loop at least 28" (710) off the cabinet floor; otherwise, the dishwasher may not drain properly.

The temperatures required for soldering and sweating will damage the dishwasher's water inlet valve, so if any such operation is needed, keep the heat source min. 77/8" (200mm) away from the dishwasher's water inlet valve. There should not be any sharp bends in the water line that may restrict the water flow.

Teflon tape or pipe thread compound must be used for sealing the connection. Before connecting the copper water supply line to the dishwasher, flush it with hot water to clear any foreign material.



- **A** Air gap
- **B** Drain hose
- **C** Hose clamp

Purge the water supply prior to final connection to the unit.

This will remove any debris that may be present in the tubing when installing the new water supply. Connect the braided tubing from the unit to the household water supply with the fitting provided.

Check all water supply fittings for leaks.

INSTALLATION

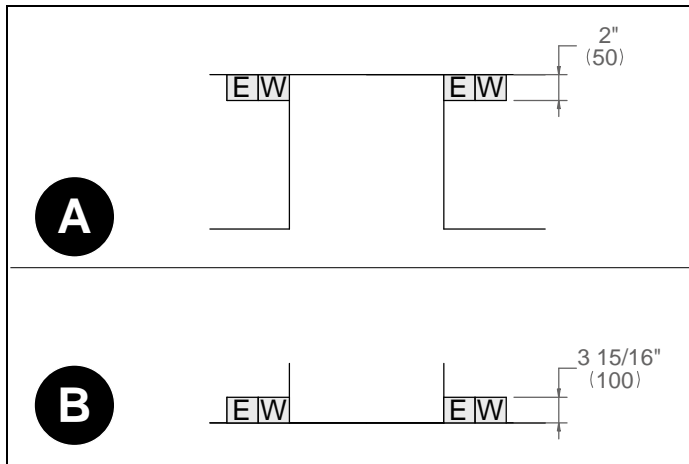
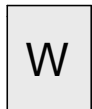


Fig. 7

- **A** TOP VIEW
- **B** FRONT VIEW



To connect the water mains to the water inlet valve thread, use a 3/8" water inlet hose and 3/4" metal adapter with a length of 60" (1524) (not supplied).

INSTALLATION

INSTALLATION

TOOLS THAT MAY BE REQUIRED

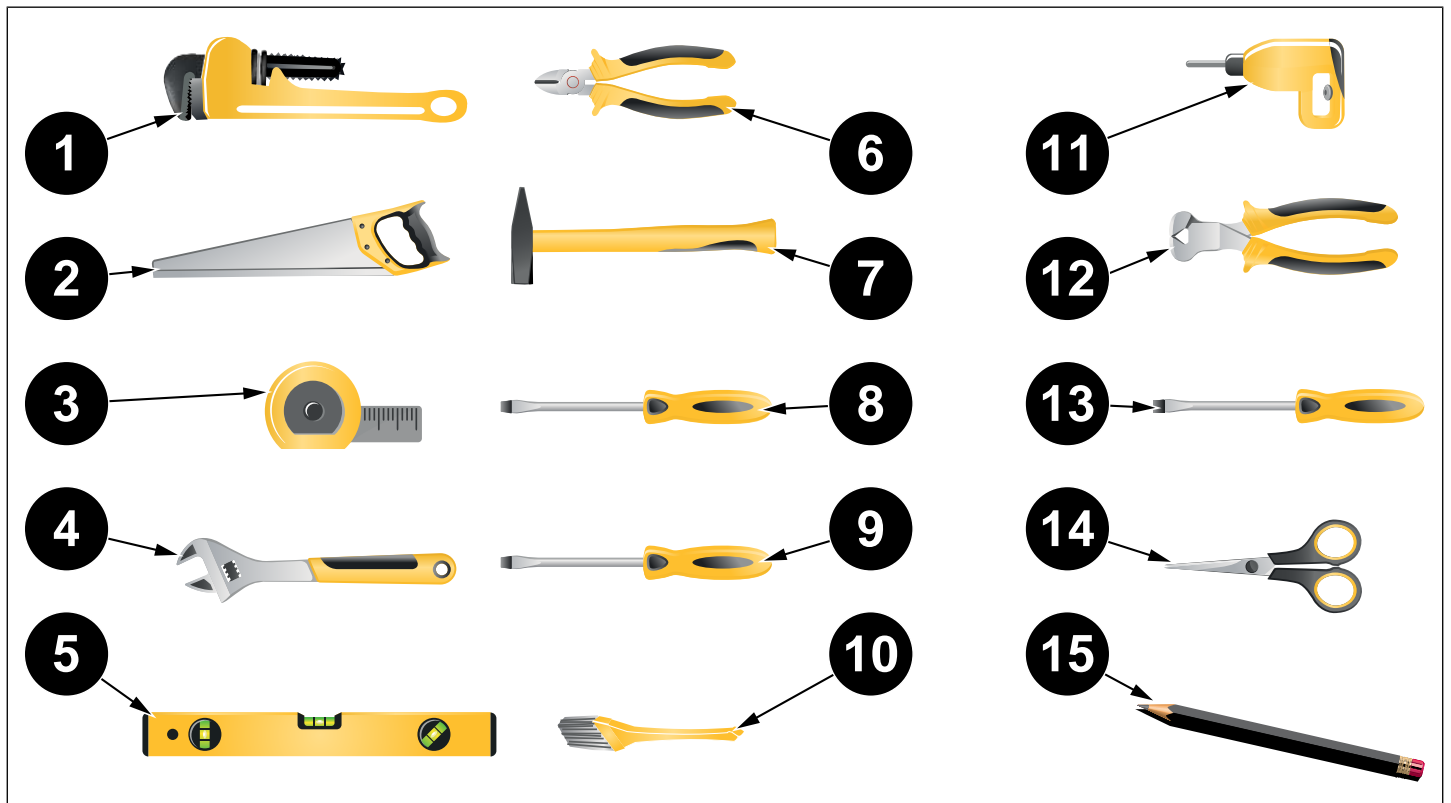



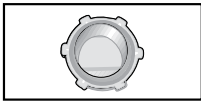
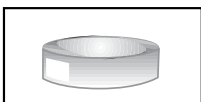


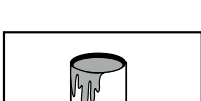
Fig. 8

- 1) Pipe Wrench
- 2) Hole Saw
- 3) Tape Measure
- 4) Adjustable Wrench
- 5) Level
- 6) Wire Cutter
- 7) Hammer
- 8) Torx Screwdriver (T20)
- 9) Slot Screwdriver
- 10) Brush
- 11) Drill
- 12) Wire Stripper
- 13) Phillips Screwdriver
- 14) Scissors
- 15) Pencil

INSTALLATION

MATERIALS THAT MAY BE REQUIRED

(Additional materials may be required to comply with local codes)

	Hot Water Supply Line - Minimum 3/4" O.D. copper tubing or metal braided dishwasher supply line.
	UL listed conduit connector or strain relief.
	Teflon tape or other pipe thread compound to seal plumbing connections.
	Shut-off valve and fittings appropriate for hot water supply line (copper tubing/compression fitting, or braided hose).
	Silicone
	Glue

MATERIALS SUPPLIED








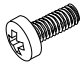






a. 	j. 
b. 	k. 
c. 	l. 
d. 	m. 
e. 	n. 
f. 	o. 
g. 	
h. 	

Fig. 9

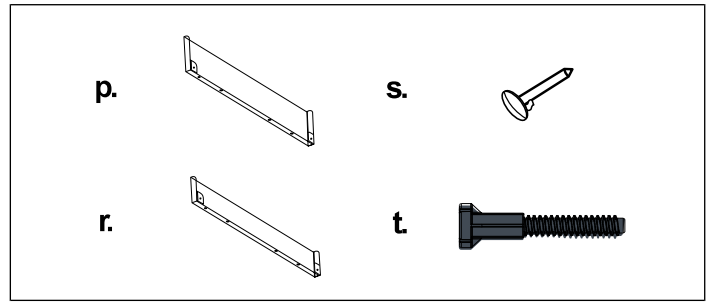


Fig. 10

The parts required for positioning the dishwasher are in plastic bags. Check that all of the following parts are contained in plastic bags.

MANUAL BAG

The dishwasher comes with a manual bag containing: User manual, Installation manual

DISHWASHER PARTS BAG 1

This dishwasher bag comes with the following parts:

- a. Test Strip(x1)(depending on model)
- b. Hose Clamp(x1)

DISHWASHER PARTS BAG 2

- c. Assembly plan(x1)
- d. Steam Protection Foil(x1)
- e. Wooden Door Fixing Strips(x2)

DISHWASHER PARTS BAG 3

- f. Screws $\text{Ø}5/32" \times 53/32"$ ($\text{Ø}4\text{mm} \times 42.5\text{mm}$)(x6)
- g. Screws $\text{Ø}5/32" \times 19/32"$ ($\text{Ø}4\text{mm} \times 15\text{mm}$)(x2)
- h. Left Mounting Bracket(x1)
- j. Right Mounting Bracket(x1)
- k. Screws $\text{Ø}5/32" \times 27/32"$ ($\text{Ø}4\text{mm} \times 21.5\text{mm}$)(x2)

DISHWASHER PARTS BAG 4

(Depending on model)

- l. Toe Kick Bracket(x2)
- m. Screws $\text{Ø}5/32" \times 7/32"$ ($\text{Ø}4\text{mm} \times 6\text{mm}$)(x2)
- n. Plinth Fixing Metal(x4)
- o. Adjustable Plinth(x1)
- p. Adjustable Plinth Metal (130mm) depending on model (x1)
- r. Adjustable Plinth Metal (80mm) depending on model (x1)
- s. Plinth Locking(x2)

INSTALLATION

DISHWASHER PARTS BAG 5

(Depending on model)

- t. Long Legs(x3)

IMPORTANT SAFETY INSTRUCTIONS

In addition to these instructions, the dishwasher shall be installed:

- In accordance with all local codes or, in the absence of a local code:
- In the United States, with the National Electric Code,
- In Canada, with the Canadian Electric Code C22.1-latest edition/Provincial and Municipal codes and/or local codes.

When installing the dishwasher, follow basic precautions, including the following:

- Installation and repair should be performed by a qualified installer. Work by unqualified persons could be dangerous and may void the warranty.



NOTE

The dishwasher should be installed by an insured licensed plumber, contractor, or trained installer. Installation performed by persons other than these could result in improper installation and damage to property.

- Do not operate the appliance if damaged, malfunctioning, partially disassembled or if it has missing or broken parts.
- Before installation or service, disconnect the power supply to the work area by unplugging the unit, “tripping” the circuit breaker or removing the fuse.
- Only connect the dishwasher to the power supply when all installation and plumbing work is complete.
- Never connect the ground wire to gas lines, or hot water pipes, plumbing lines.
- If the dishwasher is installed in a location that is subjected to freezing temperatures (e.g., vacation home, cabin, etc.), you must drain all water from the dishwasher’s interior. Water system breakdowns that occur due to freezing water are not covered under warranty.
- The dishwasher must be secured to adjacent cabinetry using the brackets provided. Failure to do so may cause damage to property or bodily injury.
- The dishwasher is intended for residential use only and should not be used in commercial establishments.



NOTE

Do not use any extension cord or portable outlet device to connect the dishwasher to a power supply.



WARNING

Danger of suffocation! Ensure that any plastic wrappings, bags, small pieces, etc., are disposed of safely and kept out of the reach of children.

PREPARATION FOR INSTALLING MOUNTING BRACKETS

The mounting brackets in the plastic bag should be used when the dishwasher is installed in the cabinetry. Use of any parts other than mounting brackets may result in damage to property or bodily injury.



NOTE

There shall be an opening through the partition between the compartments that is large enough for the attachment plug to pass through. The longest dimension of the opening shall not be more than 38.1 mm (1.5")



NOTE

If the partition is in wood, the edges of the cabinetry should be smooth and rounded, or, if the partition is in metal, the edges of the cabinetry should be covered with an edge protector; when the appliance is installed or removed, take care to reduce the likelihood of damage to the power supply cord.

- 1) Place the two mounting brackets into the top corners of the dishwasher.
- 2) If necessary (depending on countertop board material), bend the sides of the mounting brackets.

If countertop board material is wood, etc.;

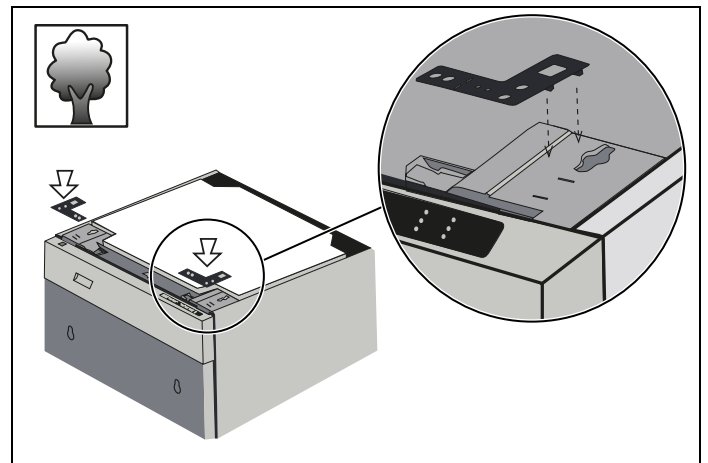


Fig. 11

If countertop board material is ceramic, etc.;

INSTALLATION

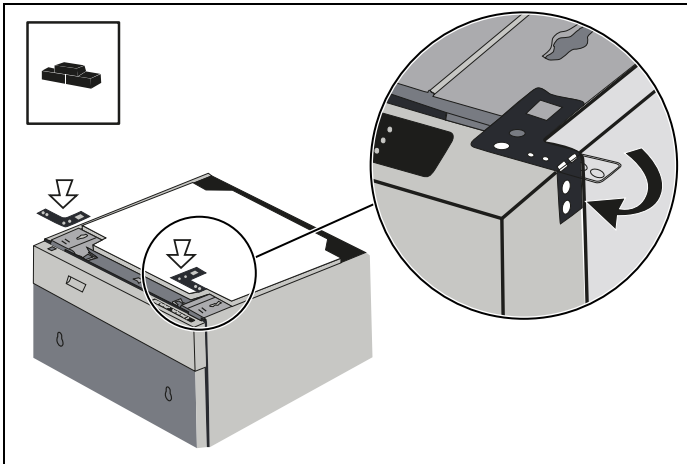


Fig. 12

ADJUSTING THE HEIGHT

- 1) Keep the front feet at the minimum height before and while positioning the dishwasher into the cabinet cutout.
- 2) Adjust the front foot level with a slot screwdriver to stabilize the dishwasher and raise it to the enclosure height.
- 3) Adjust the rear foot level with a Phillips screwdriver to balance and raise the dishwasher to the enclosure height.



NOTE

Make sure the dishwasher is plumb and note that the dishwasher can be placed with a small clearance under the countertop.

For front feet; turning the feet in the direction of the black arrows with the slot screwdriver moves the dishwasher downwards.

For rear feet; turning the Phillips screwdriver in the direction of the black arrows will move the dishwasher feet downwards.

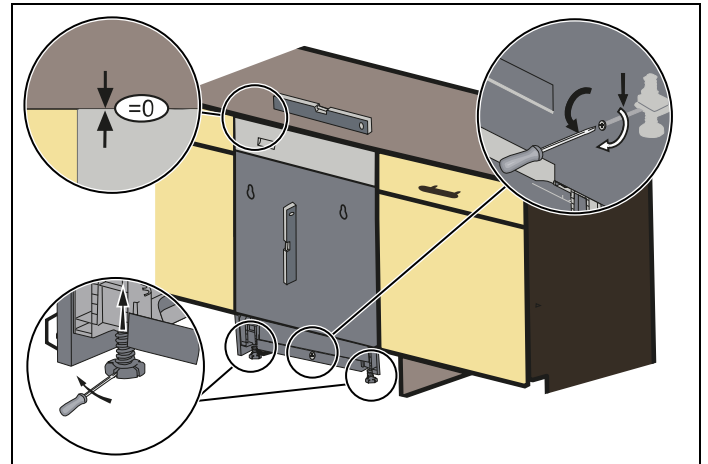


Fig. 13

If the height of the enclosure is $32 \frac{7}{16}'' - 34 \frac{7}{16}''$ (824mm-874mm), use short supports as shown in the figure.

ops.(+50) H= $34 \frac{7}{16}'' - 36 \frac{3}{8}''$ (874mm-924mm)

If the height of the enclosure is above $34 \frac{7}{16}''$ (874mm), use long supports as shown in the figure.

STEAM PROTECTION FOIL

Steam will be released when the dishwasher door is opened during operation of the dishwasher and after completion of the working cycle. In order to prevent the resulting steam from collecting and damaging the underside of the countertop, use a steam protection foil included in the plastic bag.

Clean the surface with a damp cloth before applying steam protection to the underside of the countertop.

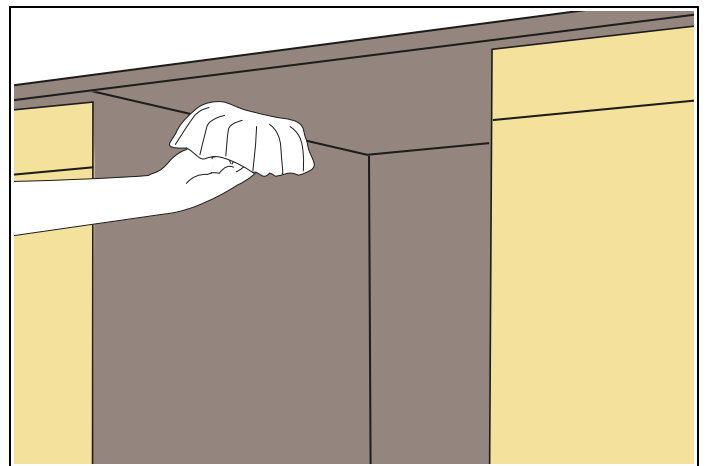


Fig. 14

INSTALLATION

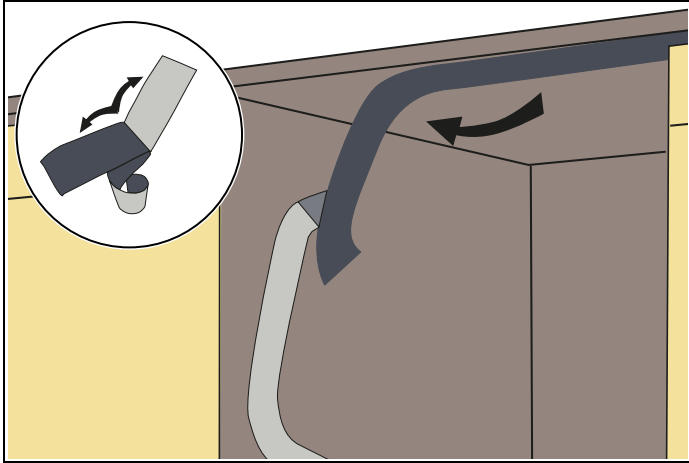


Fig. 15

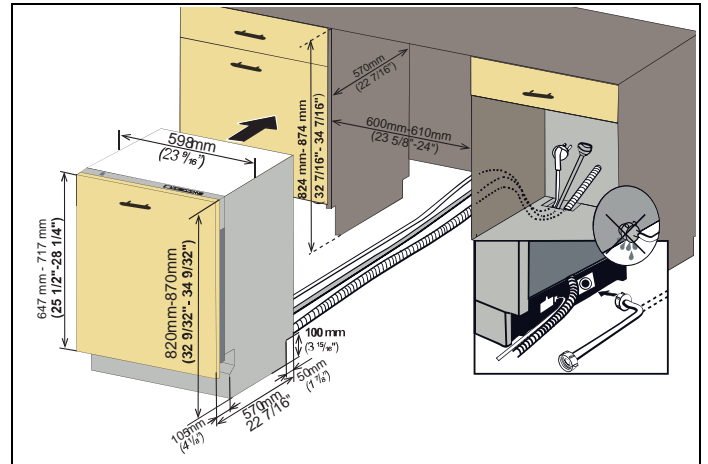


Fig. 17



CAUTION

Steam protection foil must be applied where the steam escapes when the door is first opened. **Failure to install the steam protection foil during installation can lead to damage to the cabinets and countertop.**

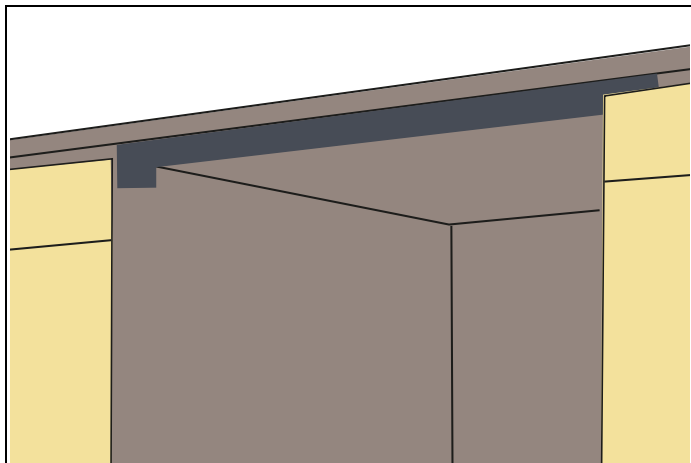


Fig. 16

PLACEMENT OF DISHWASHER INTO THE OPENING

Now place the dishwasher into the opening and get ready to connect all hoses and electrical connections.



CAUTION

Make sure that all hoses are pulled through the side opening of the cabinet, that no hoses are kinked and that all slack is taken out as shown in the figure.

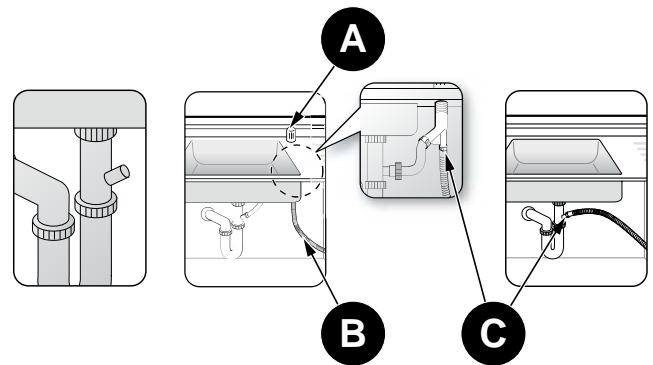
DRAIN HOSE CONNECTION

- 1) Check the parts on the sink to which the drain hose will be connected.
- 2) There are several ways to insert the drain hose into the drain hose connector of the sink, as shown in the following figures. You must connect the drain hose in accordance with the water pipe installation regulations in your region.

GARBAGE DISPOSAL

WITH AN AIR GAP

WITHOUT AN AIR GAP



- A Air gap
- B Drain hose
- C Hose clamp

INSTALLATION

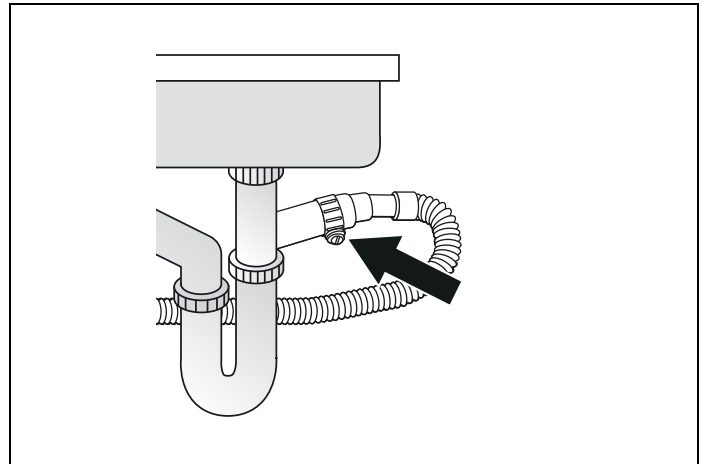
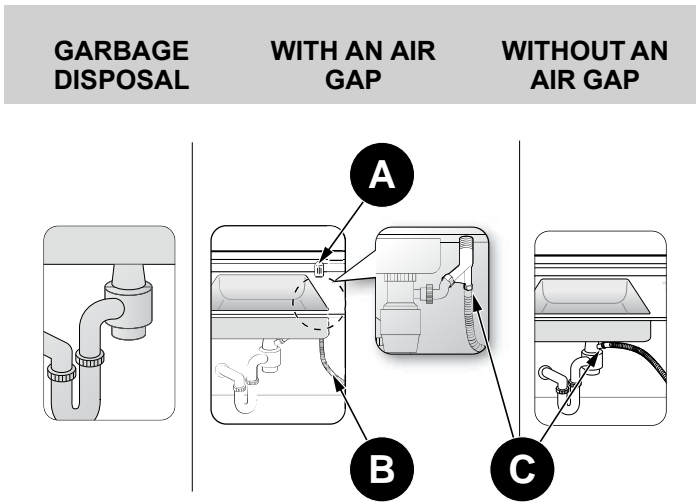


Fig. 19

- **A** Air gap
- **B** Drain hose
- **C** Hose clamp

3) Check the size of the sink drain hose connector. If needed, cut the drain hose so its end fits onto the sink connector (5/8", 3/4" or 1" - as shown in Fig. 18). If the end of the drain hose does not fit onto the drain hose connector of the sink, use an adapter purchasable at a plumbing/hardware supply store.

If necessary, cut off the dotted line of the drain hose to fit the size.

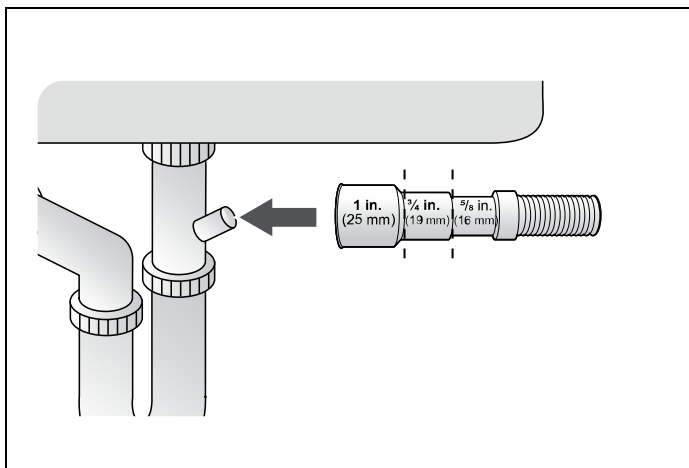


Fig. 18

4) Slide a hose clamp over the end of the drain hose. Attach the drain hose to the sink connector, slide the hose clamp to the end of the hose, and then tighten the hose clamp.



NOTE

You must use a hose clamp. Failure to do so may cause water leakage.

Use a hose clamp as shown in Fig. 19 for assembling the drain hose to the sink.

5) If there is no air gap, make sure to suspend the middle of the drain hose well above the sink cabinet base to prevent back flow (see Fig. 20).

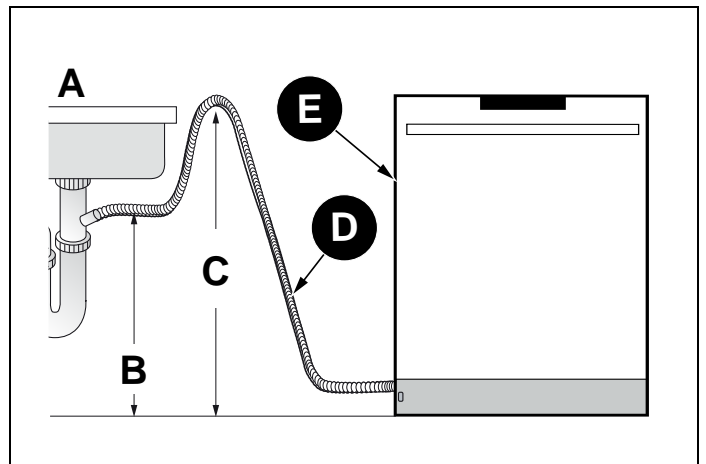


Fig. 20

- **A** Sink
- **B** Min. 20" (508 mm)
- **C** Min. 30" (762 mm)
- **D** Drain hose
- **E** Dishwasher

6) When drilling a hole for the drain hose on the cabinet wall, make sure the drain hose is not damaged by the sharp edges of the hole. On wooden walls, sand the hole to soften the edges. On metal walls, use insulation tape or duct tape to cover the sharp edges around the hole.

7) Take care not to damage the drain hose when installing the dishwasher on the floor, wall, or cabinet. To prevent leaks or drainage problems, make sure the drain hose is not damaged, kinked, or twisted.

8) Do not cut the wrinkled area of the drain hose to fit the size. When arranging the drain hose, make sure not to touch the sharp edges of the cabinet or under-sink.

- Be careful when cutting off the end of the drain hose as there is a risk of injury. Clean around the sink drain

INSTALLATION

connection so that it does not damage the hose. Check for any foreign items in the drain hose and remove them.

- When arranging the drain hose, make sure the drain hose is not cut, torn, or broken by any sharp edges on the floor, the product itself, or the cabinet. A damaged drain hose causes a leak.

ADJUSTING THE MOVABLE TOE KICK (DEPENDING ON MODEL)

Now that you have successfully installed the dishwasher, you need to attach the toe kick to the dishwasher. The two-piece toe kick can be adjusted to the height and depth needed for your kitchen.

1)

- **A.** If the height is 32 7/16" to 34 7/16" (824mm-874mm) and using short supports: adjustable plinth metal 3 1/8" (80 mm) in length (v), toe kick brackets (o) are installed. Mounting is done using Screws 5/32" x 7/32" (4mm x 6mm) with a Phillips Screwdriver.
- **B.** If the height is over 34 7/16" (874mm) and using short supports: adjustable plinth metal 5 1/8" (130mm) in length (v), toe kick brackets (o) are installed. Mounting is done using Screws 5/32" x 7/32" (4mm x 6mm) with a Phillips Screwdriver.

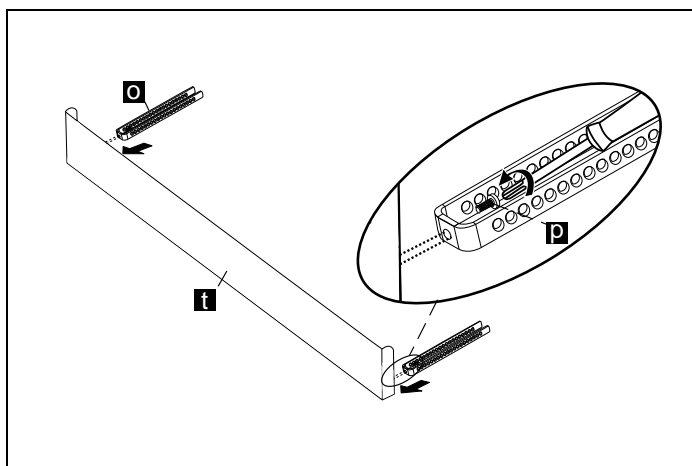


Fig. 21

- 2) The adjustable plinth number is determined according to the required distance and assembled to each other.
- 3) As shown in Fig. 22, the cylindrical feet of the adjustable plinth are attached to the plinth fixing metal parts and inserted through the cavity of the part.

Depending on the desired depth, plinth locking (y) is attached to the toe kick bracket (o).

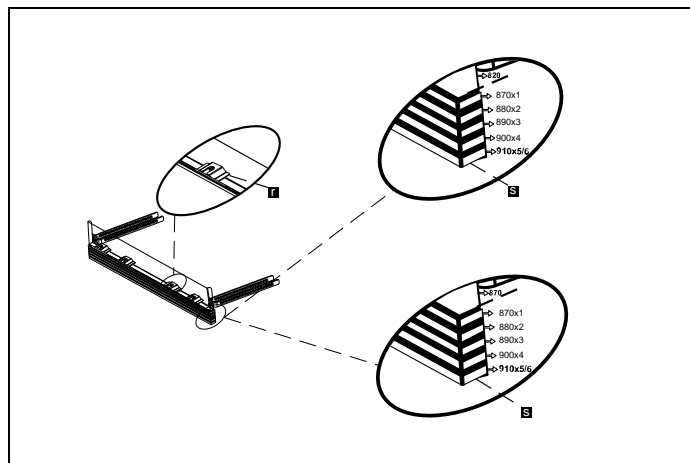


Fig. 22

- 4) Finally, toe kick brackets (o) are attached to the gaps under the machine and the installation is completed.

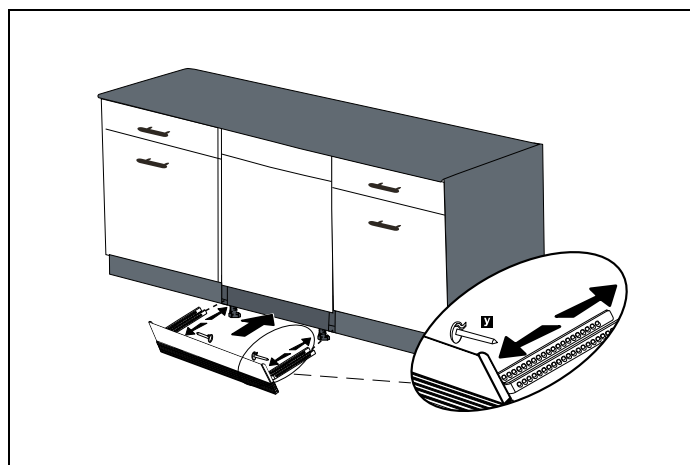


Fig. 23

INSTALLING THE OUTER DOOR (DEPENDING ON MODEL)

As shown in Fig. 24, you must measure the height and depth of the cabinetry to determine the dimensions of the outer door.

- 1) The installation plan is in the plastic bag secured to the inside of the Dishwasher door.



NOTE

While securing the installation plan, make sure that the plan adheres to the inside of the door. When fastening is complete, the installation plan must remain straight on the outer door.

- 2) As shown in Fig. 24, the screw hole is opened to the outer door from the points marked on the installation plan. Diameter of Drill Bit: 5/64" (2 mm) Depth of Drill Bit: 15/32" (12 mm)

INSTALLATION

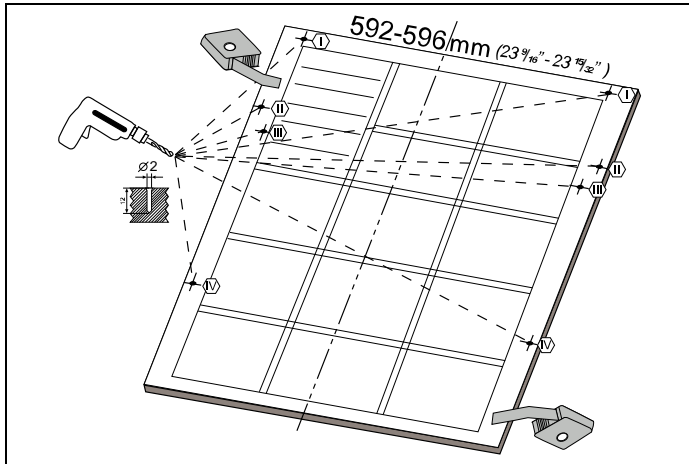


Fig. 24

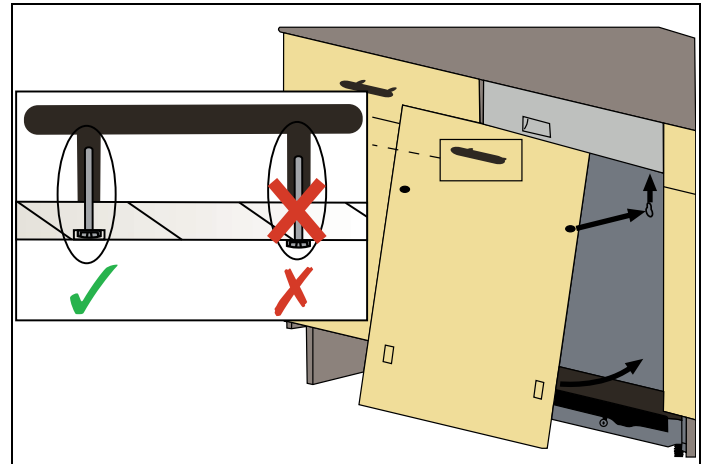


Fig. 26

3) As shown in Fig. 25 , Screws $\text{Ø}5/32'' \times 27/32''$ (4mm x 21.5mm) are installed in positions III.

4) As shown in Fig. 25 , Wooden Door Fixing Strips are installed in the positions shown in the figure.



NOTE

Before attaching the Wooden Door Fixing Strips, remove the white papers from the surface on both sides.

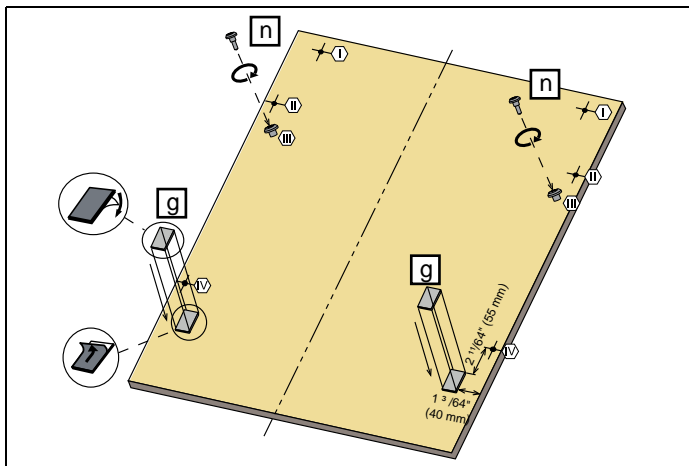


Fig. 25

5) Before mounting the wooden door on the dishwasher, mount the handle on the wooden door as in Fig. 26 .

6) The screws located on the wooden door are fitted to the dishwasher at the discharges located on the door outer sheet and are assembled as shown in Fig. 27 .

7) As shown in Fig. 27 , Screws $\text{Ø}5/32'' \times 53/32''$ ($\text{Ø}4\text{mm} \times 42.5\text{mm}$) are installed in positions I, III and V.



NOTE

Before mounting the Screws $\text{Ø}5/32'' \times 53/32''$ ($\text{Ø}4\text{mm} \times 42.5\text{mm}$); Screws in positions I, III and V must be removed.

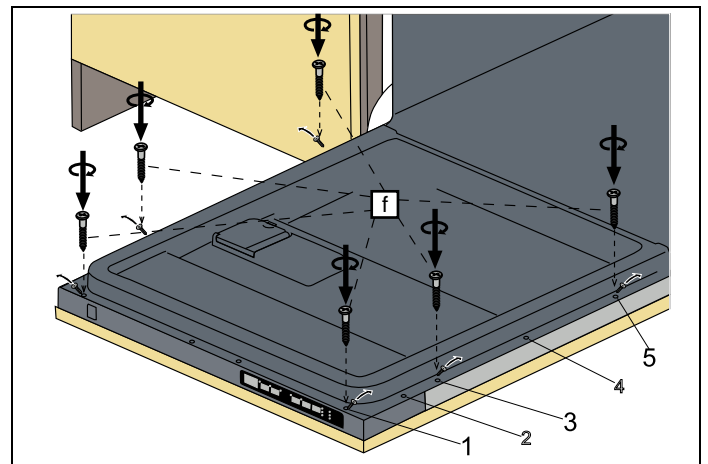


Fig. 27

8) According to the weight of the assembled wooden door, the balancing must be provided by the mechanism shown in Fig. 28 .

- If the wooden door tends to open because the hinge springs are adjusted for a heavier custom panel, the mechanism must be turned in the direction of the white arrow with a Phillips screwdriver.
- If the wooden door tends to close because the hinge springs are adjusted for a lighter custom panel, the mechanism must be turned in the direction of the white arrow with a Phillips screwdriver.



NOTE

Minimum Phillips Screwdriver Diameter is $15/64''$ (6mm) for this application.

INSTALLATION

9) After balancing the door, hole covers are glued to the empty holes and the holes are closed.

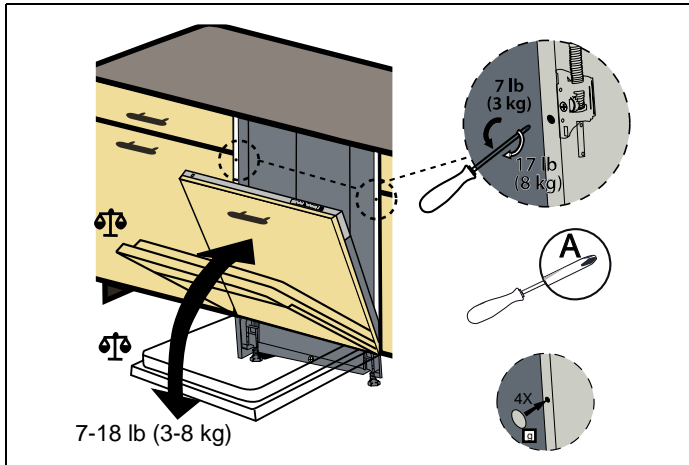


Fig. 28

10) Mounting brackets previously fastened to the dishwasher are also fastened to the cabinetry with Screws $\text{Ø}5/32'' \times 19/32''$ ($\text{Ø}4\text{mm} \times 15\text{mm}$).

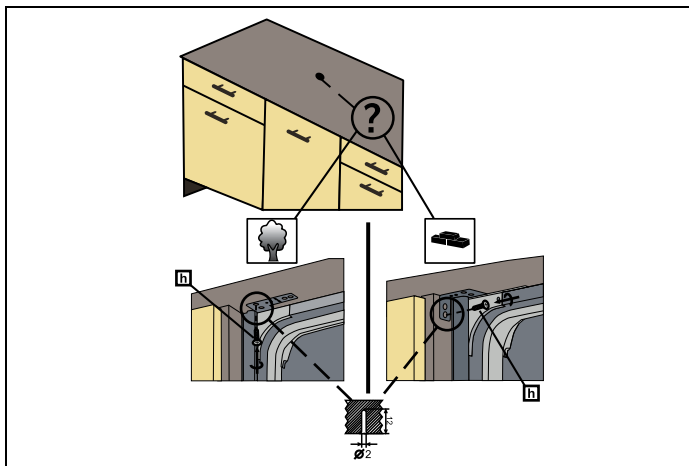


Fig. 29

11) Check whether the bottom of the door hits the toe kick of the kitchen cabinet.

- If the door hits the toe kick, cut the required section out of the toe kick.
- Apply silicone or sealant to the cut edge of the kitchen cabinet toe kick or paint it so that it does not absorb moisture.

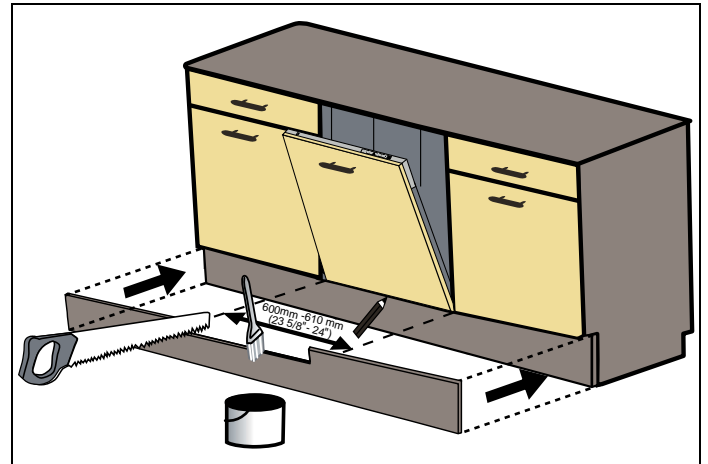


Fig. 30

INSTALLER CHECKLIST

Your installer must have completed and checked the following:

- The dishwasher is square and level.
- The dishwasher is fastened securely to the cabinetry.
- The dishwasher door opens and closes freely. The dishwasher door must close without hitting any cabinetry or countertop.
- The inlet water supply is turned on and checked for leaks.
- The drain hose has been connected and checked for leaks. There must be no kinks or obstructions in the drain hose.
- The drain hose must be installed with a 30" (762 mm) high drain loop for drain hook-ups without any air removed.
- If you connect the water drain hose to a trap spigot under the sink, remove the plastic membrane. If you do not remove the entire membrane, leftover food could cause a blockage in the drain hose spigot. Ensure a hose clamp is used to secure the hose to the spigot.
- The spray arms are free and rotate freely.
- The rinse cycle has been run.
- The water level will be below the filter screen after the end of the wash program. It is normal to find some water in the drain filter area.

FINAL INSTRUCTIONS

- 1) Press the On/Off button to turn the dishwasher on.
- 2) Power indicator light comes on.
- 3) Use the Program Select button to choose a washing program.

INSTALLATION

- 4) Start the program with the Start/Pause/Cancel button.
- 5) Run the dishwasher through one complete cycle. When the wash cycle is completed, use the On/Off button to turn the dishwasher off.



NOTE

If the dishwasher does not operate properly, see the Self Help Tips.



NOTE

Please make a copy of your invoice and keep it with this manual and register your dishwasher on-line.

SELF-HELP TIPS

The screen does not come on:

- Check to make sure the breaker to the dishwasher is in the ON position.
- Check to make sure that the supply cord is plugged.

No water is coming into the dishwasher:

- Check to make sure the water shutoff is in the ON position.

Water does not drain:

- Make sure the drain hose is not kinked or sticking out of the air gap next to the sink.
- Remove the drain hose from the garbage disposal making sure the plug is removed.



NOTE

If your dishwasher is not operating properly after following these steps: Contact your dealer to schedule an authorized service agent to inspect your new dishwasher for any function-related failure.

The manufacturer warranty does not cover installation, conversion or customer training service visits.

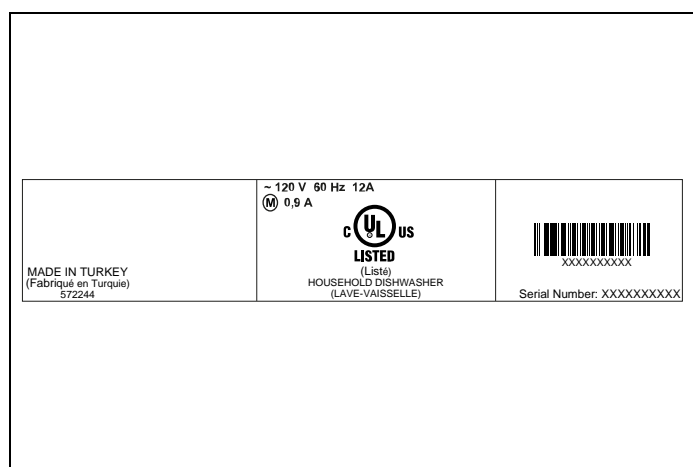


Fig. 31

You will find the model and serial number information on the label located on the right-hand side of the inner door of your dishwasher, as shown above.

USE

GETTING STARTED

PREPARING YOUR DISHWASHER FOR FIRST USE

- Make sure the electricity and supply water specifications match the values indicated in the installation instructions for the machine.
- Remove all packaging material inside the machine.
- Set the water softener level according to the instructions in this manual (depending on model).
- Set the rinse-aid dosage according to the instructions in this manual.

SETTING THE WATER SOFTENER (DEPENDING ON MODEL)

The dishwasher needs soft water for good cleaning results. Hard water results in a build-up of limescale deposits on dishware and in the dishwasher. Your dishwasher has a special water softening system to remove tap water hardness. Setting this system correctly will increase washing effectiveness.

Water supplies with a hardness level higher than 5 gpg (9° f) need to be softened.

If the hardness level of the water that you use is above 53 gpg (90° f) or if you are using well water, then we recommend using filter and water purification devices.

The dishwasher is preset at level 1 (inactive) water hardness. If this setting matches the hardness of your water, you do not need to do anything else. The dishwasher must be programmed for the water hardness of your area.

To find out the water hardness level of your area, contact your local Water Board, or determine the water hardness level using the test strip provided.



WARNING

If you move to a different location, the water hardness level could be different. It is essential to reset the water hardness in order to obtain optimum washing efficiency.

Follow the steps in the image when using the test strip.

Run water through the tap (1min.)	Keep the strip in the water (1sec)	Shake the strip	Wait (1min.)	Set the hardness level of your machine



NOTE

The level is set to 1 as default. If the water is well water or has a hardness level above 90 dF, we recommend using filter and refinement devices.

USE

WATER HARDNESS TABLE

Level	Grains per gallon	French dF	Indicator
1	0-5 gpg	0-9	SL1 is shown on the display.
2	6-12 gpg	10-20	SL2 is shown on the display.
3	13-18 gpg	21-30	SL3 is shown on the display.
4	19-23 gpg	31-40	SL4 is shown on the display.
5	24-32 gpg	41-60	SL5 is shown on the display.
6	33-53 gpg	61-90	SL6 is shown on the display.

Adjust the water hardness setting of your machine according to the level specified on the test strip (if available).

In order to change the water hardness level, follow the steps below:

- 1) Turn on the machine and press the Extra Dry button for 3 seconds to enter Menu settings: the water hardness level will appear on the display (SL1 is the factory setting)
- 2) press the Half Load button once and the water hardness level (e.g. SL1) will start flashing
- 3) Change the water hardness level by pressing the Delay buttons
- 4) Press the Half Load button again to save desired level: the newly selected level will stop flashing
- 5) Exit Menu settings by pressing the Extra Dry button for 3 seconds or turn the machine off.



WARNING

In order for the water softening system to work properly, the dishwasher must be filled with dishwasher salt before the first wash. See instructions in the salt dispenser chapter.

PLATE ARRANGEMENT

If you place your dishes into the machine properly, you will be using it in the best way in terms of energy consumption, washing and drying performance.

Into the lower basket, you can load round and deep items such as pots with long handles, pot lids, plates, salad plates, cutlery sets. The upper basket has been designed for dessert plates, salad bowls, cups and glasses. When placing long stem glasses and goblets, lean them against the basket edge, rack or glass supporter wire and not against other items. Do not lean long glasses against one another or they will lose their balance and may be damaged. It is more appropriate to place thin narrow parts into the middle sections of baskets. You can place spoons among other cutlery sets in order to prevent them from sticking to one another.

We recommend that you use the cutlery grid for best results. To avoid possible injury, always place long-handled and sharp-pointed utensils such as serving forks, bread knives, etc., with their sharp points facing downwards or horizontally on the baskets.



WARNING

Place your dishes into your machine so that they will not prevent the upper and lower spray arms from spinning.



WARNING

Do not put into the appliance items that can absorb water (sponges, dishcloths).



NOTE

Place all containers such as cups, glasses and pots into the dishwasher with the opening facing downwards (so that they cannot collect water).



NOTE

Dishes and cutlery should not be placed above one another.



NOTE

Do not overload your dishwasher and pay attention to manufacturer instructions regarding dishes which are appropriate for use in a dishwasher. Only with suitable dishes (mentioned in section 5) will you obtain optimal washing results with a sensible use of energy.

High temperature water and dishwasher detergent may form a chemical synthesis that can damage certain items.

USE



WARNING

Be careful when loading and unloading sharp items. Load sharp knives with the handles up to reduce the risk of personal injury.

Follow the steps below before loading dishwasher.

- 1) Open the door.
- 2) Remove leftover food remains from tableware.
- 3) Load the dishwasher.



NOTE

If you open the door while the appliance is running, all functions are automatically interrupted. Once the door is closed, functions will resume operation.

UPPER RACK

Load the upper rack with dessert plates, cups, glasses, etc.

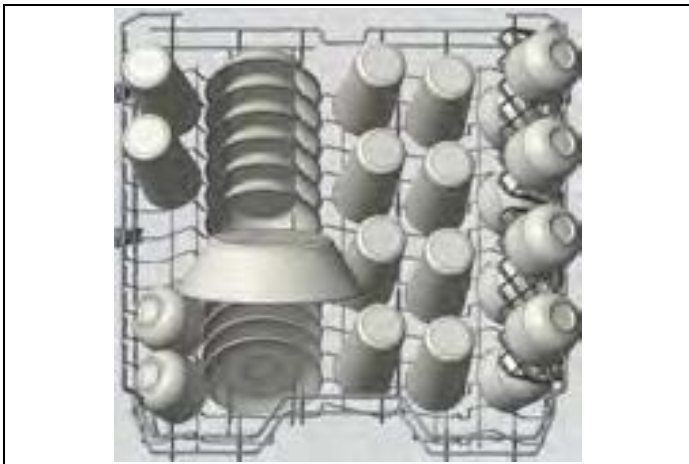


Fig. 32

Top rack load pattern for 10 place settings.

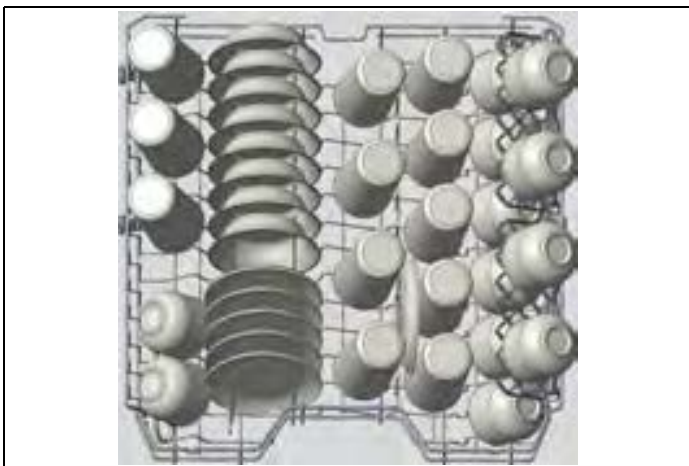


Fig. 33

Additional load pattern for 12 place settings.

LOWER RACK

Into the lower basket, you can load round and deep items such as pots with long handles, pot lids, plates, salad plates, cutlery sets. The lower rack should not be used for small items such as cups, wine glasses.

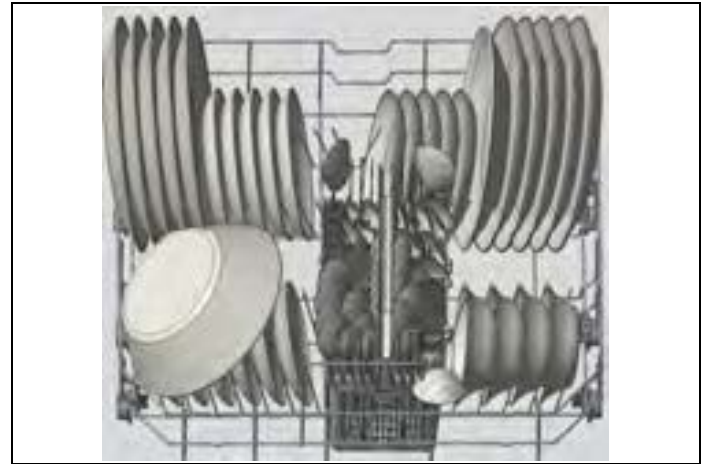


Fig. 34

Bottom rack load pattern for 10 place settings.



Fig. 35

Additional load pattern for 12 place settings.



NOTE

Place all large and very dirty items in the lower rack.



WARNING

Large knives and other utensils with sharp tips and edges must be placed horizontally on the upper rack due to the risk of injury. Other smaller knives and sharp utensils should be placed sharp side down in the cutlery basket.

USE



NOTE

Make sure that large items do not interfere with the rotation of the spray arms, and do not prevent the detergent dispenser from opening.

THIRD RACK (DEPENDING ON MODEL)

Cutlery should be placed in the cutlery rack separately from each other in the appropriate positions, and make sure utensils do not nest into each other, as this may cause poor performance. For top quality cleaning, place the silverware in the basket making sure that:

- They do not nest into each other.
- Load silverware with pointed and sharp sides downwards.
- Long utensils are in the middle.

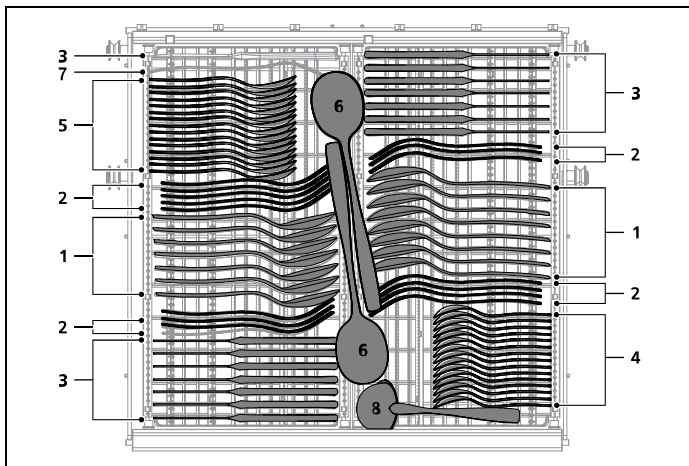


Fig. 36

- 1) Soup spoons
- 2) Forks
- 3) Knives
- 4) Teaspoons
- 5) Dessert spoons
- 6) Serving spoons
- 7) Serving forks
- 8) Gravy ladle

SILVERWARE BASKET (DEPENDING ON MODEL)

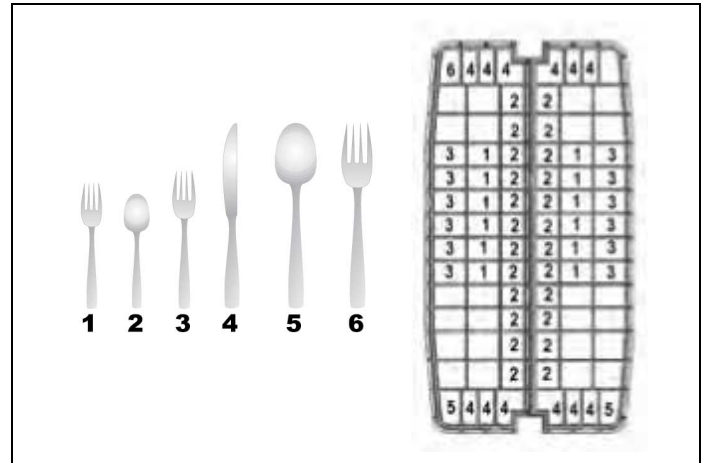


Fig. 37

- 1) Salad forks
- 2) Teaspoons
- 3) Dinner forks
- 4) Knives
- 5) Serving spoons
- 6) Serving forks

Cutlery Basket load pattern for 12 place settings.



WARNING

Sharp cutlery may shift position during the wash cycle, and may be also wet and slippery. Take care when removing them to prevent injury.



NOTE

Small items should therefore be placed in the cutlery tray or cutlery basket (depending on model), as small items can fall from the baskets through the holders.

INCORRECT LOADS

Incorrect loading can cause poor washing and drying performance. Please follow the manufacturer recommendations for good results.

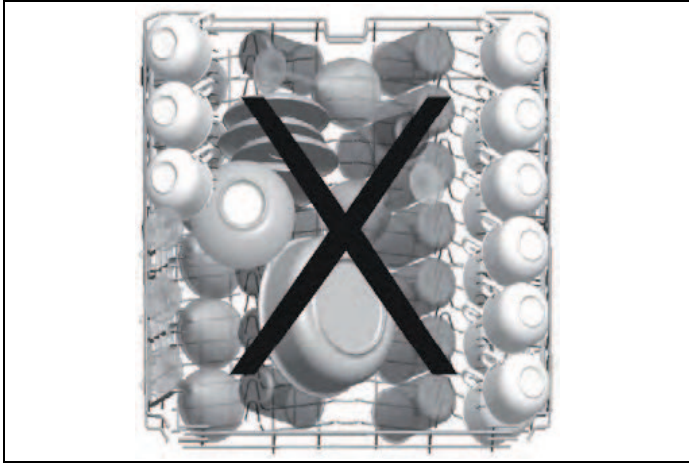


Fig. 38

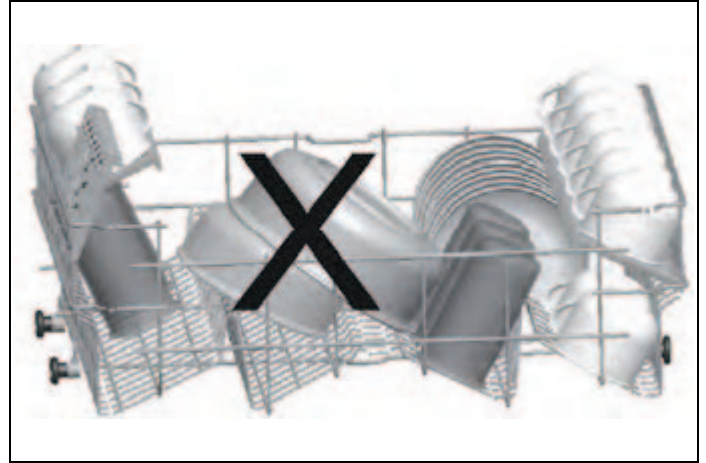


Fig. 41

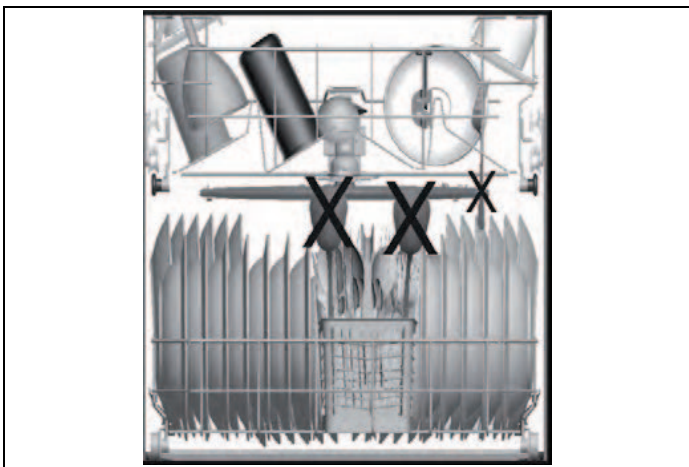


Fig. 39



Fig. 40

WHAT SHOULD NOT BE WASHED IN YOUR DISHWASHER?

- All items to be placed in the dishwasher should be dishwasher-safe.
- Only plastics with "dishwasher safe" or equivalent label may be placed in dishwashers. Plastics may lose their shape or color. Check with the manufacturer for recommendations.
- Any dishes made out of wood, or that include wooden parts, are not suitable for washing in dishwashers. High temperatures can cause the wood to swell or crack.
- Silver items without a "dishwasher safe" label should not be washed in the dishwasher as high temperatures and detergent can damage the silver. Check with the manufacturer for recommendations.
- "Dishwasher safe" silver items and stainless steel items should not come into contact, as the silver can become discolored.
- Porcelain and glassware with decorations and hand-painted utensils may lose their color and patterns due to the high temperatures. Non-decorated items are dishwasher-proof. Check with the manufacturer for recommendations.
- Aluminum can turn dark in the dishwasher due to the heat, the detergent used or even just certain minerals in your water.
- Do not wash sponges or dishcloths in the dishwasher.
- Do not wash any materials such as acrylic, copper, brass, pewter, iron, bronze or tin.
- Pots without a non-stick coating are safe to be cleaned by your dishwasher but some non-stick pots and pans can lose their coating and also sticking ability.
- Glued dishes or cutlery are not suitable for machine washing since adhesives that join materials such as plastic, wood, bone, steel, copper, tin, etc., may loosen.

Remember, if you have any questions or concerns regarding items to be washed in the dishwasher, follow the instructions of the items' manufacturers, or wash the items by hand.

USE



WARNING

If in doubt, wash by hand, or follow the instructions from the manufacturer of the utensils, dishes, glasses or pots and pans. Do not wash items soiled with cigarette ash, candle wax, varnish, paints or chemicals since they can damage your dishwasher.



WARNING

Empty the lower rack first and then the upper rack. This will avoid water dripping from the upper rack onto dishes in the lower rack.



WARNING

In general, it is not advisable to open the door while the dishwasher is in operation. If the door is opened, a safety device stops the dishwasher. Care should be taken when opening the door immediately following the cycle, as steam may escape.

RACKS

UPPER BASKET FOLDING TINES AND ÉTAGÈRES

The étagères are designed to increase the capacity of the top basket. You can place cups and glasses on these. Thanks to the adjustable nature of the étagères, you can place glasses of different sizes under them.

Height-adjustable étagères mounted on the basket allow mug and glass shelves to be in 2 different positions.

You can also place long knives, forks and spoons on the étagères horizontally so they do not block the movement of the spray arms.

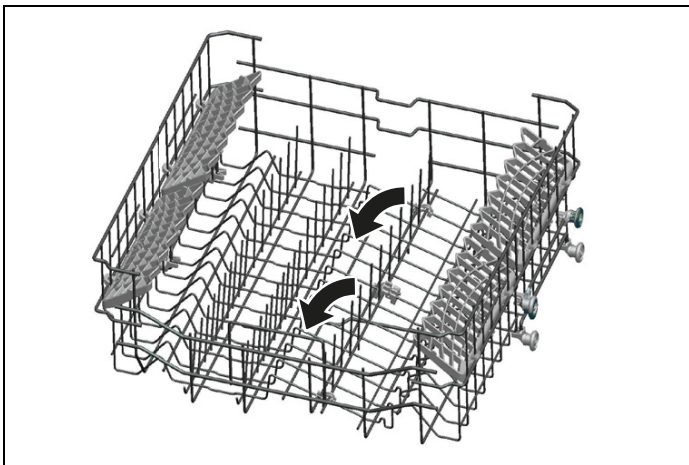


Fig. 42

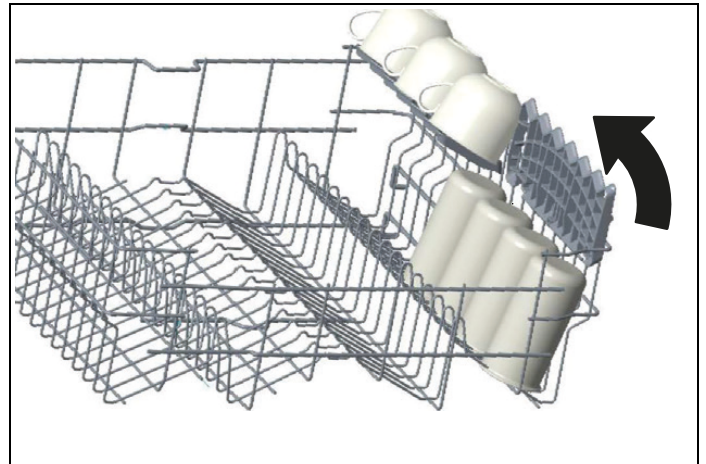


Fig. 43

The horizontal wire located on the top basket allows you to place your plates and bowls where required. You can also wash kitchenware such as pots or pans by closing the folding tines.



NOTE

Bringing the wires to the horizontal position by holding them from the ends may cause them to bend. It is therefore a good idea to bring the wires in the middle to the horizontal or vertical position by holding them from their stems and pushing.



NOTE

Make sure that both levers catch in the same height position.

LOWER BASKET FOLDING TINES

Folding tines consist of four parts located on the lower basket of your machine, and are designed to make it easier to place big items such as pots, pans, etc. If necessary, each part can be folded separately, or all of them can be folded and larger spaces can be obtained. You can use folding tines by raising them upwards, or by folding them.

USE

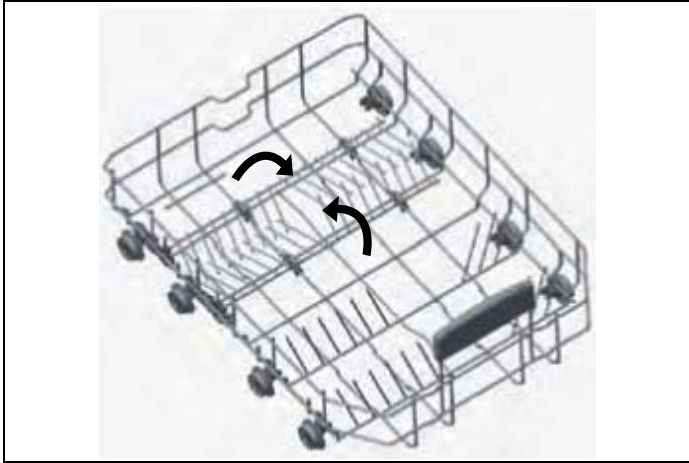


Fig. 44

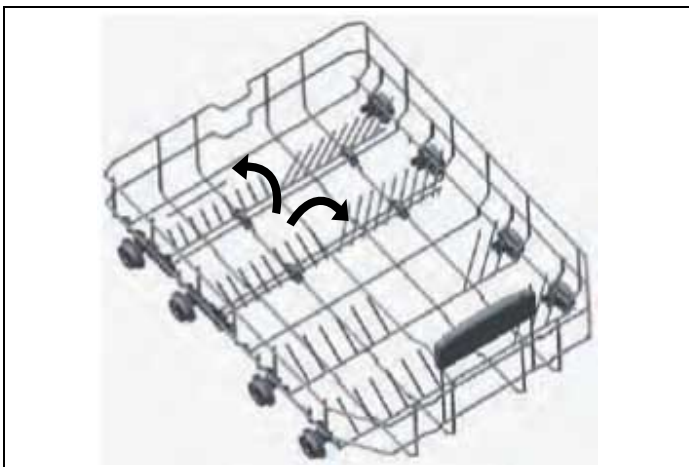


Fig. 45

SILVERWARE BASKET (DEPENDING ON MODEL)

- The silverware basket is designed to wash knives, forks, spoons, etc.
- According to the model purchased, you may have a sliding basket, or a standard one.

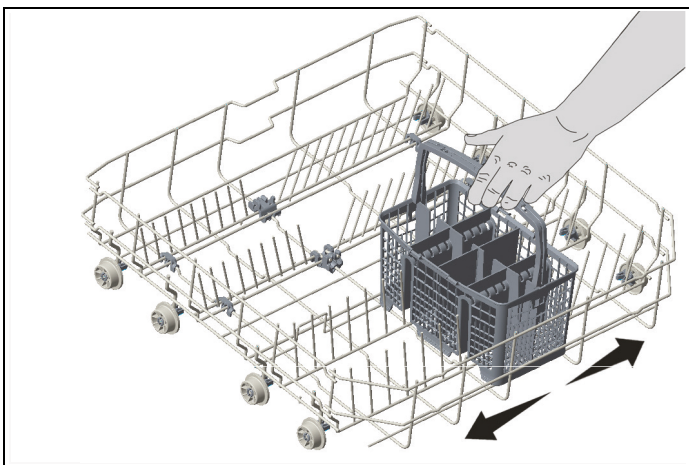


Fig. 46

1) Height adjustment with load (depending on model)

The upper basket includes a mechanism which enables the height of the basket to be adjusted up (1) or down (2) without having to remove the basket. Hold the basket on both sides and pull it up or push it down, ensuring both sides of the upper basket are in the same position.

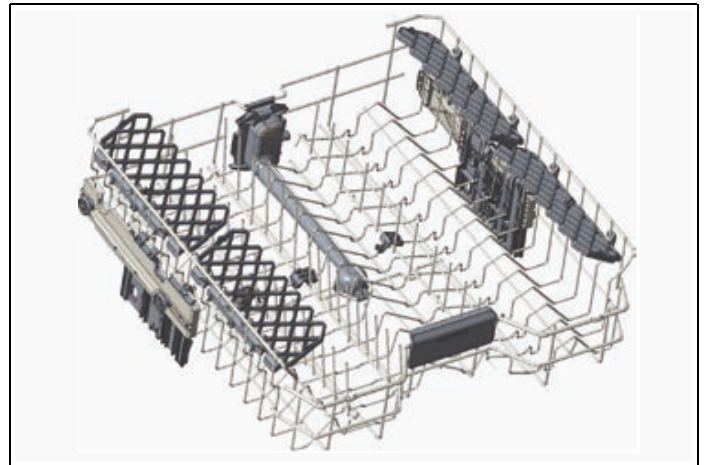


Fig. 47



Fig. 48

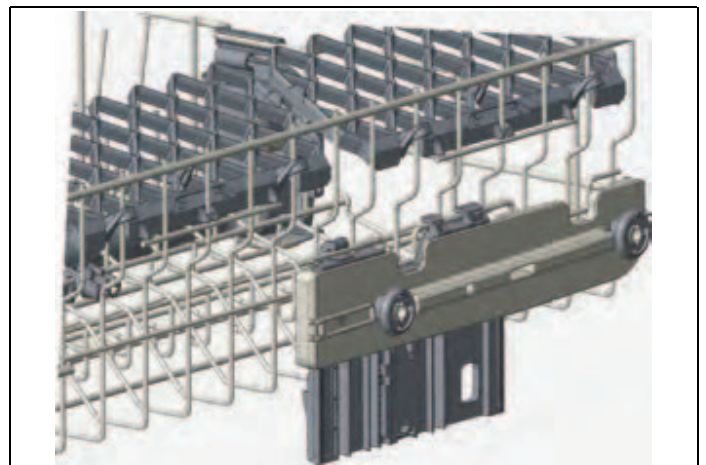


Fig. 49

USE

2) Height adjustment without load (depending on model)

In certain models, the height setting of the upper rack may be changed using the wheels which are present at two height levels.



CAUTION

Make sure that the rack is empty. Changing the height setting while the rack contains tableware could cause the contents to dislodge, causing personal injury or damage to the tableware.

- Release the latches on both the right and left tracks of the upper rack by turning them outwards, A.

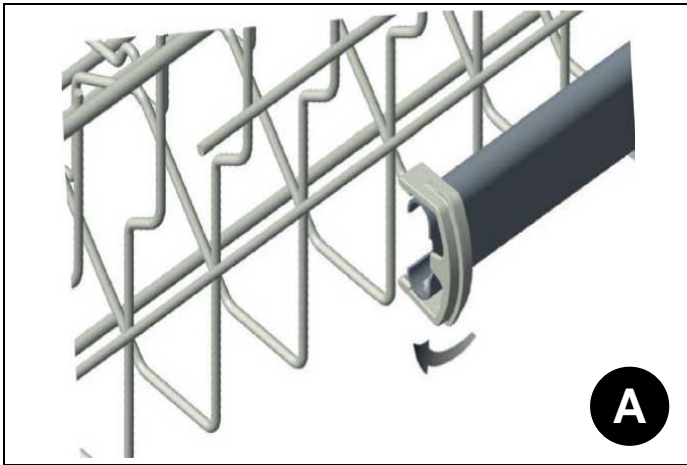


Fig. 50

- Pull out the rack completely, B.

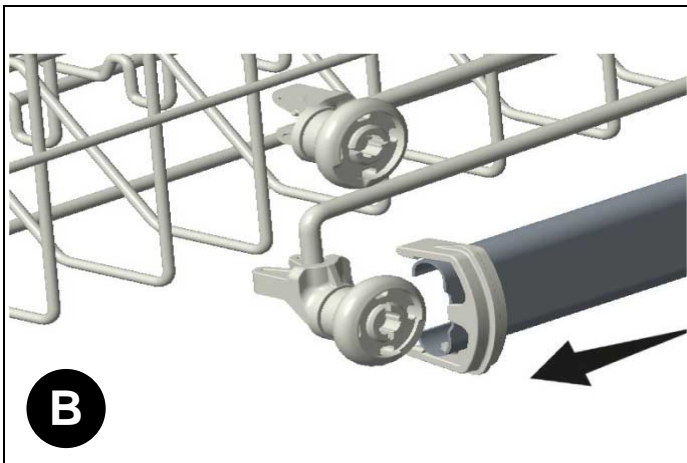


Fig. 51

- Place the rack into the tracks again at the desired height, C.

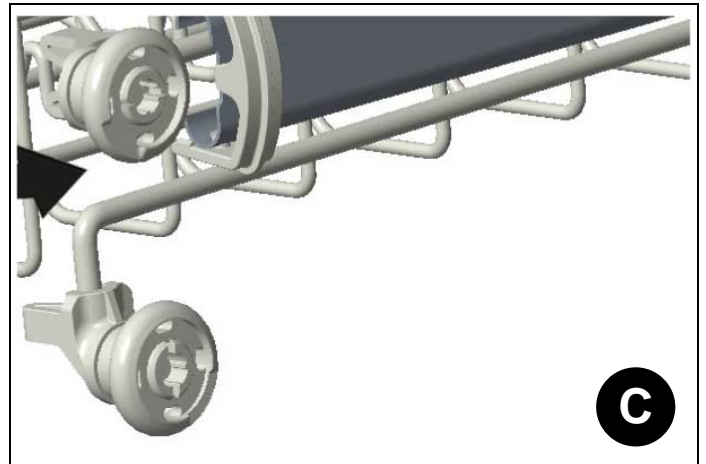


Fig. 52

- Push the latches back into the correct position.

BOTTLE HOLDER (DEPENDING ON MODEL)

The bottle lets you wash large open containers, such as bowls, pans, or Tupperware, as well as tall items, such as jugs. The bottle rack can be pulled out in the direction of the arrow, as shown below.

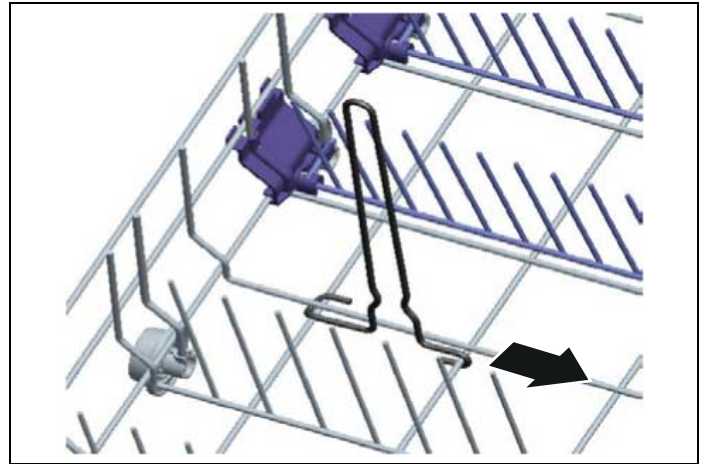


Fig. 53

TRAY HOLDER (DEPENDING ON MODEL)

The tray holder lets you easily place trays and pots of various sizes in the lower basket and provide the best washing performance.

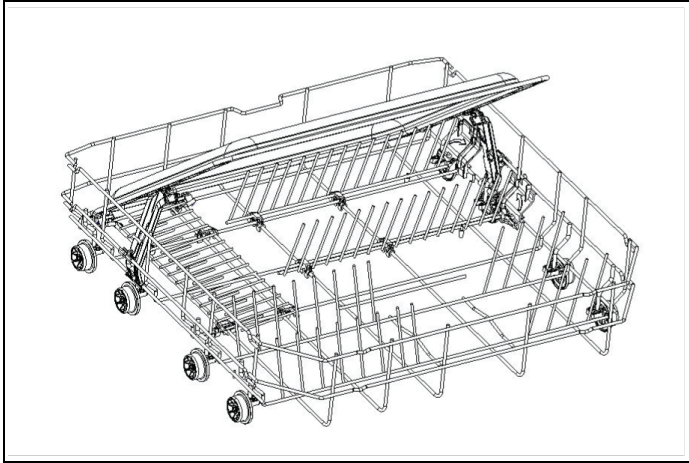


Fig. 54

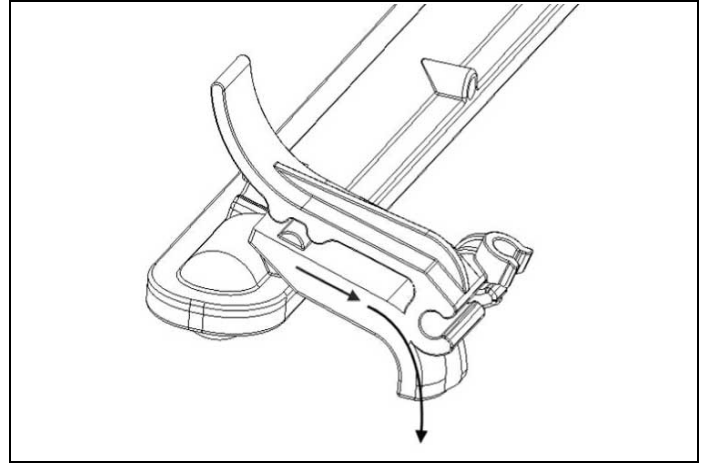


Fig. 57

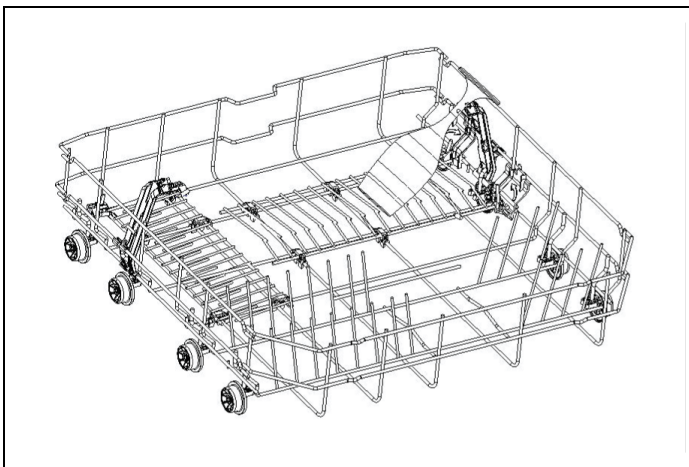


Fig. 55

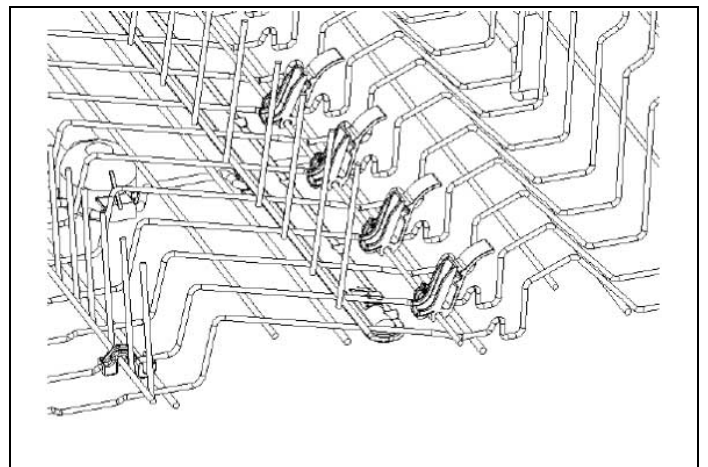


Fig. 58

DIRECT WASH ZONE (DEPENDING ON MODEL)

This function is used to wash glasses, bottles and the like by directing the water upwards when the apparatus in the upper basket shown in the figure is in the vertical position. When the apparatus is in the horizontal position, the water goes down, which allows the lower basket to be washed.

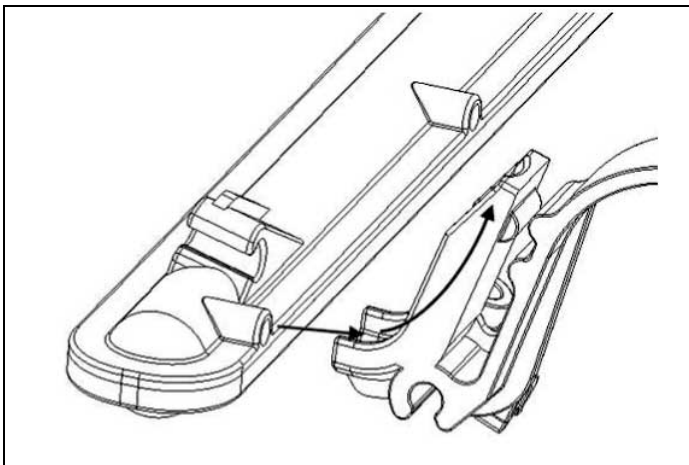


Fig. 56

STEMWARE HOLDER (DEPENDING ON MODEL)

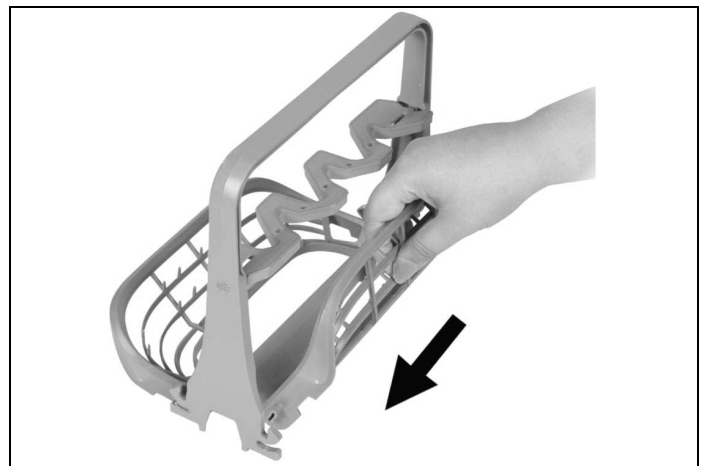


Fig. 59

The sides of the stemware holder can be folded up so as to make the accessory more compact for storage when not needed.

USE



Fig. 60



Fig. 61

Unfold the stemware holder before placing it on the dishwasher's lower rack.

OPERATION

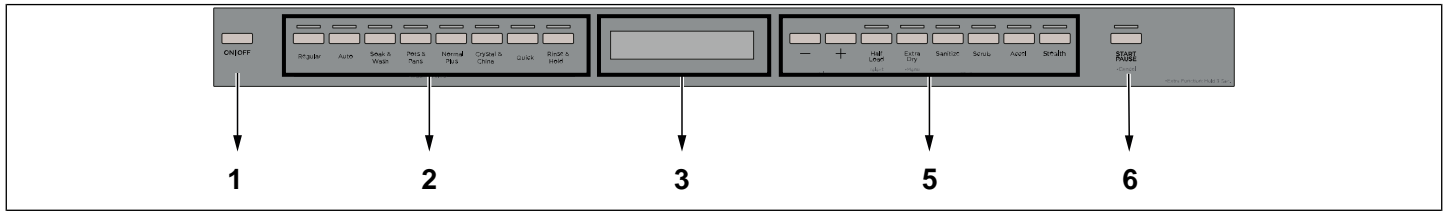


Fig. 62

- 1) On/Off Button
- 2) Cycle Buttons
- 3) Display
- 4) Delay Start
- 5) Option Buttons
- 6) Start/Pause Button



NOTE

To incorporate a cycle option to the wash cycle, select the desired option button before pressing Start. See Cycle Options.

Changing a cycle:

To change the wash cycle while the dishwasher is running, open the door and press the Start/Pause button. Select a new cycle, then press the Start/Pause button. After closing the door within 4 seconds, the newly selected cycle will resume the course of the old one.

Canceling a cycle:

To cancel a program while the dishwasher is running, open the door and press and hold the Start/Pause button for 3 seconds. "0:01" will appear on the display. Press the Start/Pause button and close the door within 4 seconds. The water discharge process will start and will take 30 seconds to complete. A buzzer will then sound 5 times.

Switching the dishwasher off:

"0" will appear on the display when the selected program is complete. The buzzer will also sound 5 times. You can then switch your machine off using the Power On/Off button. Disconnect the plug and turn off the water tap.



NOTE

If the door of the machine is opened or the power is cut off while a cycle is in operation, the program will resume when the door is closed or the power returns.



NOTE

If the power is cut off during the drying process, the program will terminate. Your machine will be ready for a new program selection.

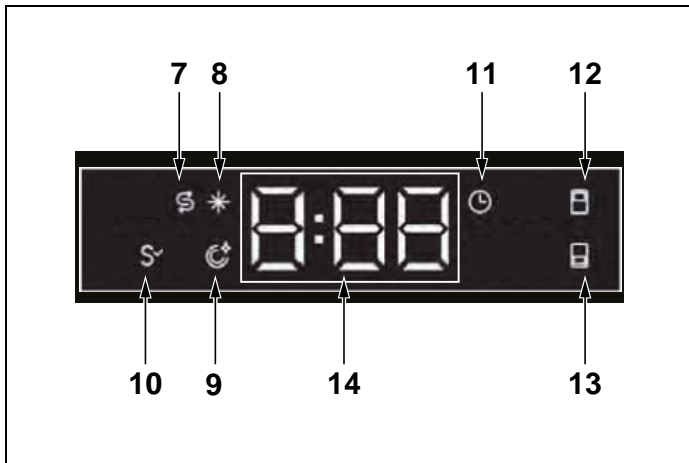


Fig. 63

- 7) Salt Indicator(Model Dependent)
- 8) Rinse-aid Indicator
- 9) End Step Indicator
- 10)Sanitized Indicator
- 11)Delay Indicator
- 12)Upper Half Load Indicator
- 13)Lower Half Load Indicator
- 14)Program Time indicator

WASH CYCLES

Setting a wash cycle:

- 1) Press the button for the desired wash cycle. Cycle time will appear on the display alternated with cycle number.
- 2) Press Start/Pause and close the door within 4 seconds. The cycle will start right after.

USE

WASH CYCLES

CYCLE	DESCRIPTION	CYCLE TIME	WATER USAGE	DETERGENT*	OPTIONS
Regular	For normally soiled dishes in typical everyday use. Washing time adjusts automatically according to the degree of soiling of the dishes. Lowest energy and water consumption.	2:02 to 2:25	3.0 gal	1 3/4 tbsp (25 ml)	Half Load, Sanitize, Accel, Extra Dry, Scrub, Delay, Stealth
Auto	For all soil levels. Automatically adjusts to the optimal wash time, water temperature, and water consumption.	1:50 to 2:35	3.7 to 6.2 gal	1 3/4 tbsp (25 ml)	Half Load, Sanitize, Accel, Extra Dry, Scrub, Delay, Stealth
Pots & Pans	For heavily soiled pots, pans and casserole dishes. Increases wash time, water temperature and consumption.	02:10	4.8 gal	1 3/4 tbsp (25 ml)	Half Load, Sanitize, Accel, Extra Dry, Scrub, Delay, Stealth
Crystal & China	For temperature-sensitive and lightly-soiled delicate dishes.	01:30	3.7 gal	1 tbsp (15 ml)	Half Load, Accel, Extra Dry, Delay, Stealth
Quick	For lightly-soiled dishes. Reduces overall wash time.	:50	3.6 gal	1 3/4 tbsp (25 ml)	Half Load, Sanitize, Extra Dry, Scrub, Delay
Rise & Hold	For all soil levels. Rinses and holds dishes for a future wash cycle.	:15	1.2 gal	No	Half Load, Delay
Soak & Wash**	For the most heavily soiled dishes that are not washed right away. Significantly increases wash time and slightly increases water temperature and consumption.	02:45	5.9 gal	1 3/4 tbsp (25 ml)	Half Load, Sanitize, Accel, Extra Dry, Scrub, Delay, Stealth
Normal Plus**	For normally soiled everyday dishes.	01:57	4.7 gal	1 3/4 tbsp (25 ml)	Half Load, Sanitize, Accel, Extra Dry, Scrub, Delay, Stealth

**Depending on model.



NOTE

More detergent may be necessary, depending on the degree of soiling and water hardness.

The detergent pod can take a maximum 2 3/4 tbsp (40 ml) detergent.

*Powdered detergent.

WASH CYCLES FLOW CHART

RINSE & HOLD	PREWASH	×	×	×	×	×
Crystal & China	Prewash	Main Wash 113°F (45°C)	×	×	Dry Hot Rinse 140°F (60°C)	Drying
Regular	Prewash 95°F (35°C)	Main Wash 131°F (55°C)	Rinse	×	Dry Hot Rinse 149°F (65°C)	Drying

USE

RINSE & HOLD	PREWASH	x	x	x	x	x
Normal Plus	Prewash	Main Wash 140°F (60°C)	Rinse	x	Dry Hot Rinse 149°F (65°C)	Drying
Quick	x	Main Wash 122°F (50°C)	Rinse	x	Dry Hot Rinse 149°F (65°C)	x
Pots & Pans	Prewash 113°F (45°C)	Main Wash 149°F (65°C)	Rinse	x	Dry Hot Rinse (68°C)	Drying
Soak & Wash	Prewash 113°F (45°C)	Main Wash 149°F (65°C)	Rinse	Intermediate Rinse 140°F (60°C)	Dry Hot Rinse 155°F (68°C)	Drying
Auto	Prewash 104°F (40°C)	Main Wash 149°F (65°C)	Rinse	Intermediate Rinse	Dry Hot Rinse 155°F (68°C)	Drying

WASH OPTIONS

OPTION	DESCRIPTION	ACTIVATION
Half Load	Directs wash functions to either the upper rack, lower rack, or both. Shortens the selected cycle wash time and reduces energy and water consumption.	Press the Half Load button 1 time to activate the Upper Half Load, 2 times to activate the Lower Half Load or 3 times to activate the Half Load option on both upper and lower racks. The corresponding indicator will also appear on the display. Press the "Start/Pause" button and close the door within 4 seconds to activate the option.
Sanitize ¹	Ensures maximum hygiene with increased rinse water temperature to eliminate bacteria up to 99.9%.	Press the Sanitize button until the LED light comes on. The corresponding indicator will also appear on the display. Press the "Start/Pause" button and close the door within 4 seconds to activate the option.
Scrub	Increases wash time and water temperature to reach optimal washing conditions and perfectly dissolve the detergent.	Press the Scrub button until the LED light comes on. The corresponding indicator will also appear on the display. Press the "Start/Pause" button and close the door within 4 seconds to activate the option.
Extra Dry	Adds extra heating and drying steps to the selected wash cycle to get perfectly dry dishes. Increases the rinse water temperature and extends the dry time.	Press the Extra Dry button until the LED light comes on. The corresponding indicator will also appear on the display. Press the "Start/Pause" button and close the door within 4 seconds to activate the option.
Delay	Delays the start of the selected wash cycle by 1-24 hours at 1-hour increments.	Press the "+" button to delay the cycle start time by 1 hour. The display will show cycle duration and programmed delay time alternately for 2 seconds. Continue to press "+" until you reach the desired delay time. Press the "-" button to decrease the delay time. The corresponding indicator will also appear on the display. Press the "Start/Pause" button and close the door within 4 seconds to activate the option.
Accel ^{2*}	Decreases cycle duration with less water consumption.	Press the Accel button until the LED light comes on. The corresponding indicator will also appear on the display. Press the "Start/Pause" button and close the door within 4 seconds to activate the option.
Stealth [*]	Reduces sound rating by 2 dBA increasing wash time of selected cycle.	Press the Stealth button until the LED light comes on. The corresponding indicator will also appear on the display. Press the "Start/Pause" button and close the door within 4 seconds to activate the option.

*Depending on model

USE

1Sanitizes as per NSF/ANSI standard 184 for residential dishwashers.

*Default setting

2Shortened cycle time impacts drying performance.

MENU SETTINGS

Press the Extra Dry button (6) for 3 seconds to enter the menu. The water hardness setting (e.g. SL1) will appear on the display. Press the Delay buttons (4) to navigate the menu. Then, press the Half Load button (5) to enter the levels of the setting you want to change in the menu. Now, the display (3) will start flashing, which means this setting can be changed by pressing the Delay buttons(4). Set the new level with the Delay buttons(4) and press the Half Load button(5) to save the new level. After that, the display (3) will light up steadily, which means this setting level is saved. You can change another setting with these steps or exit the menu by pressing the Extra Dry button (6) for 3 seconds or turning off/on.

No	SETTING	OPTIONS	DESCRIPTION
1	Water Hardness	SL1	Set the water hardness.
		SL2	
		SL3*	
		SL4	
		SL5	
		SL6	
2	Rinse-aid	r:1	Set the amount of rinse-aid.
		r:2	
		r:3	
		r:4*	
		r:5	
3	Buzzer Sound Control	b:0	Set the buzzer sound level.
		b:1	
		b:2	
		b:3*	
4	Start Program	LP0*	Set a default program for when the appliance is switched on.
		LP1	
5	Save Power Mode	SP0	Set Save Power Mode.
		SP1*	
		SP2	
6	Factory Settings	FS0*	Restore changed settings to factory settings.
		FS1	

1) Water Hardness

To change the water hardness setting, see paragraph *WATER HARDNESS TABLE*.

2) Rinse-aid

To change the rinse-aid setting, see paragraph *RINSE-AID USAGE*.

3) Buzzer Sound Control

To change the buzzer sound control, see "Menu Settings". "b:3" level is the highest sound level. "b:0" level means all sounds are off.

4) Start Program

To change the start program selection, see "Menu Settings". In level "LP0", the machine turns on with Eco program. In level "LP1", the machine turns on with last selected program and option.

5) Save Power Mode

To change the save power mode setting, see "Menu Settings". In level "SP0", interior lights (if available) will always be off, the screen will turn off after 4 minutes, and the machine will turn off after 15 minutes of no activity in order to save energy. In level "SP1", interior lights will turn off after 4 minutes when the door is opened, the screen will turn off after 4 minutes, and the machine will turn off after 15 minutes of no activity in order to save energy. In level "SP2", when the machine is in the off position, interior lights will turn off after 4 minutes when the door is opened. When the machine is in the ON position, interior lights are on as long as the door stays open and the machine will not turn off except by pressing the On/Off button.

6) Factory Settings

To change the factory settings, see "Menu Settings". If you change the level to "FS1" in factory settings, all settings return to the default setting.

USE

LIGHTS

Your dishwasher is equipped with an internal LED light and/or floor projection status light.

The latter is positioned on the bottom part of the dishwasher and projects light onto the floor to indicate the current status of the dishwasher during a cycle.

LED INDICATOR	MACHINE STATUS
Red, continuous	The machine is running a program.
Red, flashing	A program is canceled.
Red, flashing rapidly	The machine has a fault. Refer to section "Automatic fault warnings and what to do" .
Green, continuous	A program is finished

DETERGENT & RINSE-AID DISPENSER



WARNING

Only use detergents specifically designed for household dishwashers.

You can find powder, gel, and tablet detergents in the market that have been designed for household dishwashers. Add the proper detergent for the selected program to ensure the best performance. Use less detergent if the dishes are only lightly soiled. Using excess detergent can leave a film on dishes and in the dishwasher resulting in poor wash performance.



NOTE

The amount of detergent needed depends on the cycle, load size, and soil level of dishes. Too much detergent in soft water may cause glass corrosion and does not dissolve in water.



WARNING

Do not use too much detergent if your water supply is soft.



WARNING

Keep your detergents in a cool, dry place out of the reach of children. See the detergent manufacturer's instructions for further information.



WARNING

Detergent tablets do not fully dissolve with short programs. To prevent detergent residue on tableware, we recommend using tablets with long programs.



WARNING

Do not use detergent in the Rinse cycle (depending on model). If you do not know the hardness of your water supply, use 15 ml / 3 tsp detergent. Increase the amount of detergent if you see white watermarks, especially on the surface of glassware.

Should you need more information concerning the detergent you intend to use, contact the detergent manufacturers directly. Check that the detergent dispenser is empty after the completion of each wash program.

FILLING THE DETERGENT



NOTE

The dispenser should be refilled just before the start of each program.

- 1) Push the latch to open the detergent container as shown in the image (Fig. A)

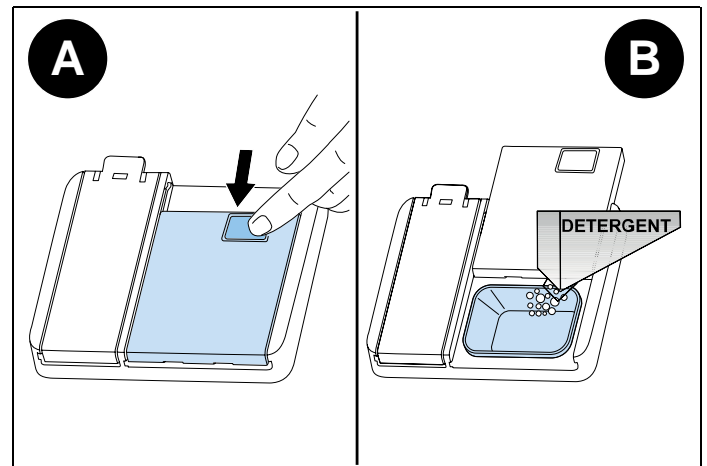


Fig. 64

- 2) Pour/put the detergent into the dispenser (Fig. B)
- 3) Close the lid and press it until it locks in place.



NOTE

The dispenser should be refilled just before the start of each program. If the dishes are heavily soiled, increase the dose of detergent.

USE



NOTE

The flap is always open at the end of a program.



WARNING

Follow the instructions on the detergent package when using liquid dishwasher detergent, concentrated powder detergent, or tablet detergent.



WARNING

Amounts may vary if you use liquid or concentrated powder detergent. Tablet detergents should be placed in the detergent container.

USING COMBINED DETERGENTS

Combined detergents must be used according to manufacturers' instructions.

Never put combined detergents inside the dishwasher's tub or the cutlery basket.

Always put tablets in the detergent dispenser.

Combined detergents contain not only the detergent, but also rinse-aid, salt replacement substances and additional components depending on the combination.

If you stop using combined detergents, make sure that water hardness and rinse-aid settings are set to the correct level.

If you want to obtain better results while using combined detergents, add salt and rinse-aid into your machine and adjust the water hardness setting and the rinse-aid setting to the lowest position.



CAUTION

The solubility of the tablet detergents produced by different companies may vary depending on the temperature and time. Therefore, it is not recommended to use such detergents in short programs. Please use powder detergents in such programs.



WARNING

Should any problem, which you have not encountered before, arise with the use of this type of detergents, contact the detergent manufacturers directly.

RINSE-AID USAGE

Rinse-aid helps dry the dishes without streaks or stains. Rinse-aid is required for stain-free utensils and clear

glasses and is automatically released during the hot rinse phase.

If rinse-aid dosage is set too low, white stains will remain on glasses and dishes. If rinse-aid dosage is set too high, light blue stains will remain on glasses and dishes.



CAUTION

Only use rinse-aid intended for residential dishwashers.

Filling the rinse-aid dispenser with detergent will damage the dispenser.



NOTE

When the rinse-aid indicator lights up, the rinse-aid dispenser contains enough rinse-aid for 2 - 3 programs only. When using "Tab" detergents, rinse-aid is not needed.

FILLING THE RINSE-AID AND SETTING

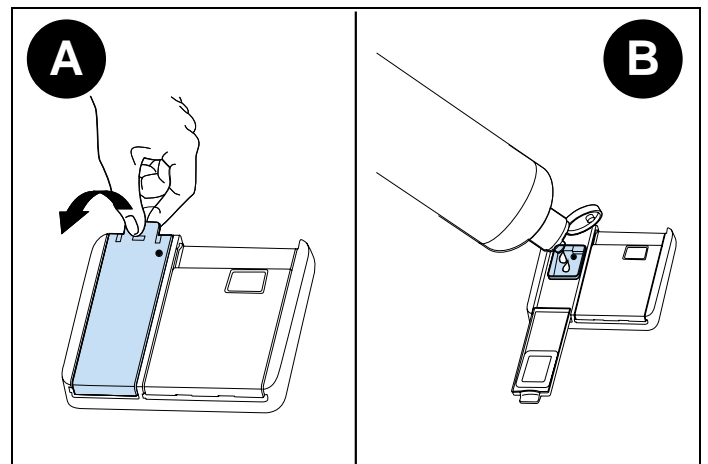


Fig. 65

- 1) To fill the rinse-aid compartment, open the rinse-aid compartment cap (Fig.A)
- 2) Fill the compartment with rinse-aid to the MAX level and then close the cap. Be careful not to overfill the rinse-aid compartment and wipe any spills.
- 3) Close the cap until it clicks.

In order to change the rinse-aid level, follow the steps below:

- 1) Turn on the machine and press the Extra Dry button for 3 seconds to enter Menu settings: the water hardness level will appear on the display (SL1 is the factory setting)
- 2) Press the Delay (+) button to move to the rinse-aid setting (r: 4 is the factory setting)
- 3) Then, press the Half Load button once and the rinse-aid level (e.g. r: 4) will start flashing
- 4) Change the rinse-aid level by pressing the Delay buttons

USE

- 5) Press the Half Load button again to save desired level: the newly selected level will stop flashing
- 6) Exit Menu settings by pressing the Extra Dry button for 3 seconds or turn the machine off.

The factory setting is "4".



NOTE

If the dishes are not drying properly or are spotted, increase the level. If blue stains form on your dishes, decrease the level.

LEVEL	BRIGHTENER DOSE	INDICATOR
1	Rinse-aid not dispensed	r : 1 is shown on the display.
2	1 dose is dispensed	r : 2 is shown on the display.
3	2 doses are dispensed	r : 3 is shown on the display.
4	3 doses are dispensed	r : 4 is shown on the display.
5	4 doses are dispensed	r : 5 is shown on the display.

SALT DISPENSER (FOR MODELS WITH WATER SOFTENER)

Please check the salt indicator on the control panel to see whether there is enough softening salt in the dishwasher. The salt dispenser must be refilled with salt whenever the salt warning indicator appears on the control panel of your machine.

FILLING THE DISHWASHER SALT DISPENSER



WARNING

Cooking and table salts do not dissolve in water easily, using these kinds of salts will damage the water softener system of your machine.



NOTE

The machine can only use special dishwasher salt to soften the water. Do not use any small-grained or powder-type salts which are easily soluble. Using any other type of salt can damage your machine. The manufacturer is not liable for damages resulting from using the wrong type of salt.



WARNING

Dishwasher detergent will damage the softener assembly. Do not fill the salt container with dishwasher detergent.



WARNING

If the water in your area is very soft and consistently lower than 5 gpg (9 °f) you do not have to add dishwasher salt.

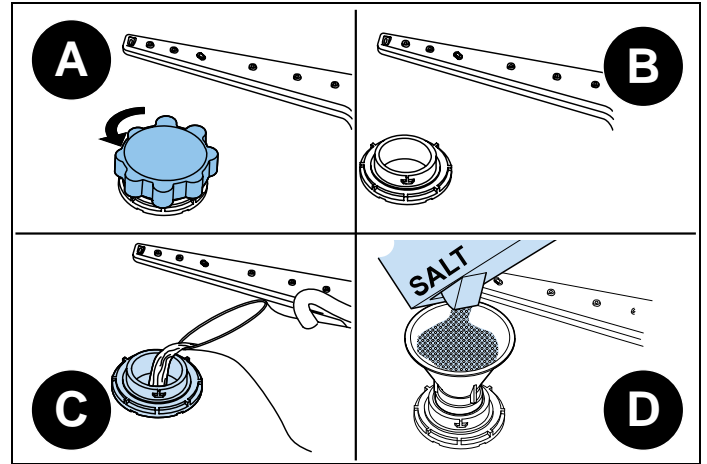


Fig. 66

- 1) To fill the dishwasher with salt, first remove the lower basket and then open the salt compartment cap by turning it counterclockwise. (Fig. A-B)
- 2) First, fill the compartment with 1 kg salt and water (Fig. C) to the overflow level. If available, using the funnel (Fig. D) provided will make filling easier.
- 3) Refit the cap and close it.



WARNING

If the softener salt has overflowed and you do not start the machine immediately, run a short washing program to protect your machine against corrosion.



NOTE

Fill the salt compartment with water only the first time you fill the salt compartment.



NOTE

If the salt warning lamp on the control panel lights up, fill the salt compartment with salt again.



WARNING

Use softener salt specifically made for use in dishwashers.

USE

SALT REFILL INDICATOR



WARNING

If the salt indicator light comes on during a program, wait until the end of the program to fill the salt dispenser with dishwasher salt. After the salt dispenser has been filled, the refill indicator may still be lit up if the salt concentration has not yet reached the correct level. It will go out when the correct concentration is reached.



NOTE

The salt refill indicator will turn off if you have programmed the dishwasher for a water hardness below 5 gpg (9 °f).

CLEANING AND CARE



WARNING

Before cleaning or carrying out maintenance, switch off the appliance, disconnect the mains plug and turn off the water tap. Your dishwasher can only be repaired by an authorized service agent.



WARNING

All surfaces are susceptible to scratching. Contact with unsuitable cleaning agents can alter or discolor all surfaces.



WARNING

Keep the floor around your dishwasher clean and dry to prevent any possible injury. We recommend keeping your dishwasher clean, empty and with door cracked open to allow air to circulate in case of any extended unused time.

The dishwasher door can be damaged by abrasive cleaners, scouring pads, abrasive cloths. Cleaning the machine at regular intervals prolongs the machine's service life.

Oil and limescale may accumulate in the machine's washing section. In case of such accumulation, fill the detergent compartment without loading any dishes into the appliance, select a program that runs at a high temperature, and start the dishwasher. If not enough, use special cleansing agents available on the market.

To clean any residue that has accumulated in the door seals, wipe the seals regularly using a damp cloth.

Clean the appliance, filter, and spray arms at least once a month. Unplug your machine and turn off its tap before cleaning. Do not use hard materials when cleaning your machine. Wipe with a soft cleaning material and a damp cloth.

MATERIAL

Stainless steel	Use a non-abrasive steel detergent and apply with a soft lint-free cloth. To bring out the natural luster, lightly wipe surface with a water-dampened microfiber cloth followed by a dry polishing chamois. Always follow the grain of the stainless steel.
Control panel	Wipe with a damp cloth.
Dishwasher racks	Wipe with a damp cloth.

MATERIAL

Interior	Wipe interior, door edge, and rubber seal with a damp cloth. If necessary, spray household cleaner on the cloth. Do not spray directly on the door. Use a dishwasher cleaner (follow the instructions on the package) or place 1 cup of vinegar and 2 tbsp of baking soda in a container on the middle rack and run a Heavy Wash cycle.
Spray arms	Place under running water and use a paper clip or similar to remove debris from holes.
Filter	Clean with soap and water. For hard-to-remove soils or calcium deposits, use a soft brush. Do not use a wire brush or scouring pad.
Gasket	Wipe with a damp cloth. Use warm soapy water and a toothbrush. If mold or mildew are present, spray with 3% hydrogen peroxide.

SPRAY ARMS

The upper and lower spray arms can be removed for cleaning.

Periodically check whether the holes for the upper and lower spray arms are clogged. If you see any clogging, remove the spray arms and clean them under running water.

The impellers should be cleaned once a week for the appliance to operate efficiently.

To remove the lower spray arm:

- 1) Pull the spray arm upwards (A, B).
- 2) Place under running water and use a paper clip or similar to remove debris from holes.

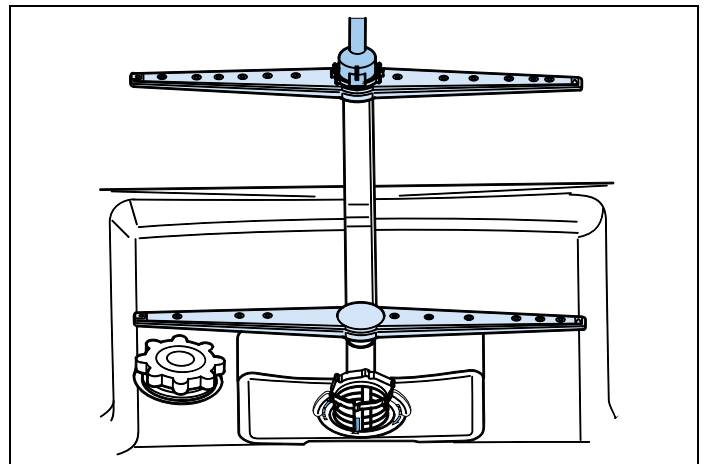


Fig. 67

CLEANING AND CARE

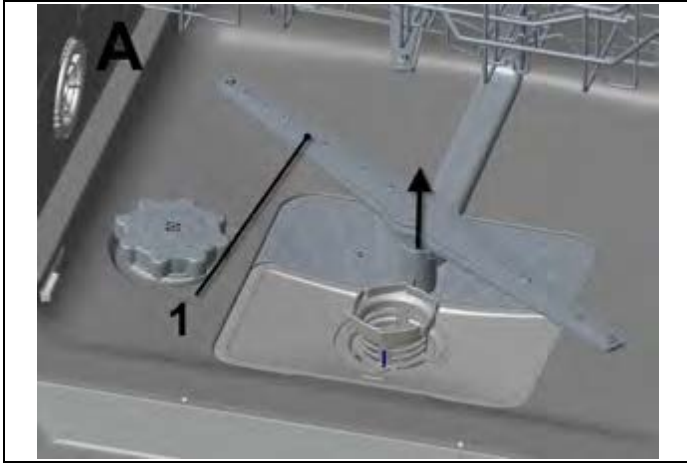


Fig. 68

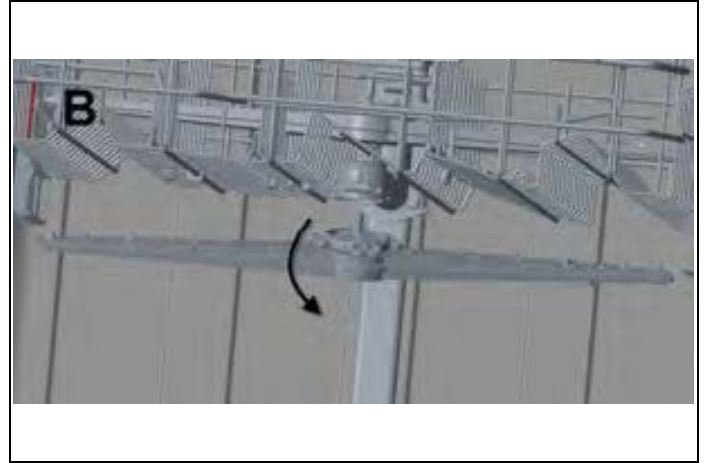


Fig. 71

Make sure to tighten the nut well when reinstalling the upper spray arm.

FILTER

The filter should be cleaned often. Heavy use may require more frequent cleaning.

Periodically check whether there is any food waste left on the coarse and fine filters. If there is any food waste left, remove the filters, and clean them thoroughly under running water.

To take out the filter from the dishwasher, first remove the lower rack and lower spray arm.

- a. Micro Filter
- b. Coarse Filter
- c. Metal/Plastic

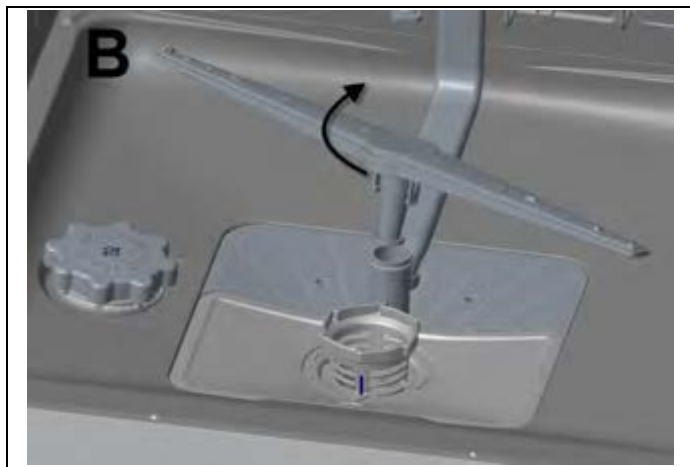


Fig. 69

To remove the upper spray arm:

- 1) Turn its nut to the left (A, B).
- 2) Place under running water and use a paper clip or similar to remove debris from holes.



Fig. 70

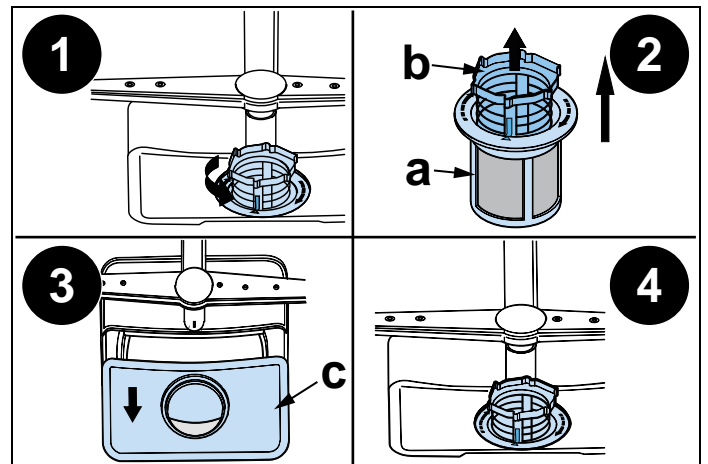


Fig. 72

TROUBLESHOOTING

FAULT	POSSIBLE CAUSE	TROUBLESHOOTING
The program does not start.	Your dishwasher is not plugged in.	Plug your dishwasher in.
	Your dishwasher is not switched on.	Switch your dishwasher on by pressing the On/Off key.
	Fuse blown.	Check your indoor fuses.
	Water inlet tap is closed.	Turn on the water inlet tap.
	Your dishwasher door is open.	Close the dishwasher door.
	Water inlet hose and machine filters are clogged.	Check the water inlet hose and machine filters and make sure they are not clogged.
Water remains inside the machine.	Water drain hose is clogged or twisted.	Check the drain hose, then either clean or untwist it.
	The filters are clogged.	Clean the filters.
	The program is not finished yet.	Wait until the program is finished.
Machine stops during washing.	Power failure.	Check mains power.
	Water inlet failure.	Check water tap.
Shaking and bumping noises are heard during a wash cycle.	The spray arm is hitting the dishes in the lower basket.	Move or remove items blocking the spray arm.
Food waste partially left on the dishes.	Dishes placed incorrectly, sprayed water not reaching affected dishes.	Do not overload baskets.
	Dishes leaning against each another.	Place dishes as instructed in the section on loading your dishwasher.
	Not enough detergent used.	Use the correct amount of detergent, as instructed in the program table.
	Wrong wash program selected.	Use the information in the program table to select the most appropriate program.
	Spray arms clogged with food waste.	Clean the holes in the spray arms with thin objects.
	Filters or water drain pump clogged or filter misplaced.	Check that the drain hose and filters are correctly fitted.
There are whitish stains left on the dishes.	Not enough detergent used.	Use the correct amount of detergent, as instructed in the program table.
	Rinse-aid dosage and/or water softener setting set too low.	Increase rinse-aid and/or water softener level.
	High water hardness level.	Increase water softener level and add salt.
	Salt compartment cap not closed properly.	Check that the salt compartment cap is closed properly.
Dishes do not dry.	Drying option is not selected.	Select a program with a drying option.
	Rinse-aid dosage set too low.	Increase rinse-aid dosage setting.

TROUBLESHOOTING

FAULT	POSSIBLE CAUSE	TROUBLESHOOTING
Rust stains have formed on the dishes.	Stainless-steel quality of the dishes is insufficient.	Use only dishwasher-proof sets.
	High level of salt in wash water.	Adjust the water hardness level using the water hardness table.
	Salt compartment cap not closed properly.	Check that the salt compartment cap is closed properly.
	Too much salt spilled in the dishwasher while filling it with salt.	Use funnel while filling compartment with salt to avoid spillage.
	Poor mains grounding.	Consult a qualified electrician immediately.
Detergent remains in the detergent compartment.	Detergent was added when the detergent compartment was wet.	Make sure detergent compartment is dry before use.

AUTOMATIC FAULT WARNINGS AND WHAT TO DO

FAULT CODE	POSSIBLE FAULT	WHAT TO DO
FF	Water inlet system failure	Make sure the water inlet tap is open and water is flowing.
		Separate the inlet hose from the tap and clean the hose filter.
		Contact service if the error continues.
F5	Pressure system failure	Contact service.
F3	Continuous water input	Close the tap and contact service.
F2	Inability to discharge water	Water discharge hose and filters may be clogged.
		Cancel the program.
		If the error continues, contact service.
F8	Heater error	Contact service.
F1	Overflow	Unplug the machine and close the tap.
		Contact service.
FE	Faulty electronic card	Contact service.
F7	Overheating	Contact service.
F9	Divisor position error	Contact service.
F6	Faulty heater sensor	Contact service.
HI	High voltage failure	Contact service.

PRACTICAL INFORMATION

- 1) When the machine is not in operation:
 - Disconnect the plug and close the tap.
 - Leave the door slightly open to prevent the formation of odors.
- 2) Select the dry option to remove water droplets.
- 3) Place dishes in the machine properly to achieve the best energy consumption, washing and drying performance. Please see the program and consumption table for more information.
- 4) Rinse dirty dishes before placing them in the dishwasher.
- 5) Only use the Rinse program when necessary.
- 6) Do not place the machine near a refrigerator as it will reach high temperatures.
- 7) If the machine is located in an area at risk of freezing, close the tap, disconnect the inlet hose from the tap, and drain the water inside the hose and the machine completely.

TWO-YEAR LIMITED WARRANTY STATEMENT

WHAT THIS LIMITED WARRANTY COVERS

The Warranty coverage provided by Bertazzoni SpA (“Bertazzoni”) in this statement applies exclusively to the original Bertazzoni appliance (“Product”) sold to the consumer (“Purchaser”) by an authorized Bertazzoni dealer/distributor/retailer, purchased and installed in the United States, District of Columbia, or Canada, and which has always remained within the country of original purchase (United States, District of Columbia, or Canada).

The warranty coverage is activated on the date of original retail purchase of the Product and has a duration of two (2) years.

Warranty coverage is non-transferable.

In the event parts are replaced or the entire product is replaced, the replacement Product (or parts) shall assume the remaining original Warranty activated with the original retail purchase document. This Warranty shall not be extended with respect to such replacement.

Bertazzoni SpA will repair or replace any component/part which fails or proves defective due to materials and/or workmanship within 2 years from the date of original retail purchase and under conditions of normal residential, non-commercial use. Repair or replacement shall be free of charge, including labor at standard rates and shipping expenses. Purchaser is responsible for making the Product reasonably accessible for servicing. Repair service must be performed by a Bertazzoni Authorized Service company during normal working hours. Labor performed at overtime or premium rates shall not be covered by the Warranty.



IMPORTANT

Retain proof of original purchase to establish the warranty period.

Bertazzoni’s liability on any claim of any kind, with respect to the goods and/or services provided, shall in no event exceed the value of the goods or service or part thereof which gives origin to the claim.

30-Day Cosmetic warranty

Inspection of the product must be made by the Purchaser at time of delivery. Bertazzoni warrants that the Product is free from manufacturing defects in materials and workmanship for a period of thirty (30) days from the date of original retail purchase of the Product.

This coverage includes:

- Paint blemishes
- Chips
- Macroscopic finish defects.

Cosmetic warranty does NOT cover:

- issues resulting from incorrect transport, handling and/or installation (i. e: dents, broken, bent or deformed structures or components, broken glass components)
- slight color variations in painted/enamelled components
- differences caused by natural or artificial lighting, location or other similar factors
- stains/corrosion/discoloration caused by external substances and/or environmental factors
- **labor costs, display, floor, B-stock, out-of-box, “as is” appliances and demo units.**

GLASS PROTECTION POLICY

This warranty covers range oven door glass breakage for the following duration:

EXTERNAL & MIDDLE GLASSES: 90 days after original purchase date.

INNER GLASS: 180 days after original purchase date.

HOW TO OBTAIN SERVICING

To receive warranty servicing, the Purchaser must contact Bertazzoni Service for determining the problem and correct service procedures.

Model number, serial number and date of original retail purchase will be requested.



IMPORTANT

Retain proof of original purchase to establish the warranty period.

If located in the USA

866 905 0010

<https://us.bertazzoni.com/more/support>

If located in CANADA

866 561 7265

<https://ca.bertazzoni.com/more/support>

WARRANTY EXCLUSIONS – WHAT IS NOT COVERED

- Use of the Product in any non-residential, commercial application.
- Use of the Product for anything other than its intended purpose.
- Repair service provided by a party other than a Bertazzoni authorized service agency.
- Damage or repair service to correct servicing provided by an unauthorized agency or the use of unauthorized parts.

TWO-YEAR LIMITED WARRANTY STATEMENT

- Installation not in accordance with local/state/city/county fire codes, electrical codes, gas codes, plumbing codes, building codes, regulations, or laws.
- Defects or damage due to improper storage of the Product.
- Defects or damage or missing parts on products sold out of the original factory packaging or from displays.
- Service calls or repairs to correct the incorrect installation of the product and/or related accessories.
- Replacement of parts/service calls to connect, convert or otherwise repair the electrical wiring and/or gas line to properly use the Product.
- Replacement of parts/service calls to provide instructions and training on the use the Product.
- Replacement of parts/service calls to correct issues due to product usage in a manner other than what is normal and customary for residential use.
- Replacement of parts/service calls due to wear and tear such as gaskets, knobs, pan supports, shelving, cutlery baskets, buttons, touch displays, scratched or broken ceramic glass tops.
- Replacement of parts/service calls for lack of/improper maintenance such as but not limited to: residue build up, stains, scratches, discoloration, corrosion.
- Replacement of glass components and light bulbs if claim arises after 30 days from original retail purchase date.
- Defects and damages arising from accidents, alteration, misuse, abuse, improper installation.
- Defects and damages arising from transport, logistics and handling of the Product. Inspection of the Product must be made at the time of delivery. Any issues from handling, transport or logistics must be notified to the vending dealer/delivery company after receipt and inspection.
- Defects and damage arising from external forces beyond the control of Bertazzoni SpA, including, but not limited to: wind, rain, sand, fires, floods, mudslides, freezing temperatures, excessive moisture or extended exposure to humidity, power surges, lightning, structural failures surrounding the appliance and other acts of God.
- Products with altered/damaged/tampered serial number.
- Water line connection must be done by a trained and licensed professional. Issues due to incorrect water line connections such as, but not limited to, leakage and water damage to flooring and/or cabinetry, are not considered a Product issue and are not covered under manufacturer warranty.

In no case shall Bertazzoni be held liable or responsible for damage to surrounding property, including furniture, cabinetry, flooring, panels and other structures surrounding the Product.

Bertazzoni is not liable nor responsible for the Product if located in a remote area or an area where certified trained

technicians are not reasonably available. The Purchaser must bear any transportation and delivery costs of the Product to the nearest authorized Service center or for the additional displacement rates of a certified trained technician.

THERE ARE NO EXPRESS WARRANTIES OTHER THAN THOSE LISTED AND DESCRIBED ABOVE, AND NO WARRANTIES WHETHER EXPRESS OR IMPLIED, INCLUDING, BUT NOT LIMITED TO, ANY IMPLIED WARRANTIES OF MARKETABILITY OR FITNESS FOR A PARTICULAR PURPOSE, SHALL APPLY AFTER THE EXPRESS WARRANTY PERIODS STATED ABOVE, AND NO OTHER EXPRESS WARRANTY OR GUARANTEE GIVEN BY ANY PERSON, FIRM OR CORPORATION WITH RESPECT TO THIS PRODUCT SHALL BE BINDING ON BERTAZZONI. BERTAZZONI SHALL NOT BE HELD LIABLE FOR LOSS OF REVENUE OR PROFITS, FAILURE TO REALIZE SAVINGS OR OTHER BENEFITS, TIME AWAY FROM WORK, MEALS, LOSS OF FOOD OR BEVERAGES, TRAVELING OR HOTEL EXPENSES, EXPENSES TO RENT OR PURCHASE APPLIANCES, REMODELING/CONSTRUCTION EXPENSES IN EXCESS OF DIRECT DAMAGES WHICH ARE DEFINITELY CAUSED EXCLUSIVELY BY BERTAZZONI, OR ANY OTHER SPECIAL, INCIDENTAL OR CONSEQUENTIAL DAMAGES CAUSED BY THE USE, MISUSE OR INABILITY TO USE THIS PRODUCT, REGARDLESS OF THE LEGAL THEORY ON WHICH THE CLAIM IS BASED, AND EVEN IF BERTAZZONI HAS BEEN ADVISED OF THE POSSIBILITY OF SUCH DAMAGES. NOR SHALL RECOVERY OF ANY KIND AGAINST BERTAZZONI BE GREATER IN AMOUNT THAN THE PURCHASE PRICE OF THE PRODUCT SOLD BY BERTAZZONI AND CAUSING THE ALLEGED DAMAGE. WITHOUT LIMITING THE FOREGOING, THE PURCHASER ASSUMES ALL RISK AND LIABILITY FOR LOSS, DAMAGE OR INJURY TO PURCHASER AND PURCHASER'S PROPERTY AND TO OTHERS AND THEIR PROPERTY ARISING OUT OF THE USE, MISUSE OR INABILITY TO USE THIS PRODUCT SOLD BY BERTAZZONI NOT CAUSED DIRECTLY BY THE NEGLIGENCE OF BERTAZZONI. THIS LIMITED WARRANTY SHALL NOT EXTEND TO ANYONE OTHER THAN THE ORIGINAL PURCHASER OF THIS PRODUCT, IS NON-TRANSFERABLE AND STATES YOUR EXCLUSIVE REMEDY.

Bertazzoni does not assume any responsibility for incidental or consequential damages. Some states do not allow the exclusion or limitation of incidental or consequential damages, so the above limitation or exclusion may not apply to you. This warranty gives you specific legal rights and you may also have other rights which may vary from state to state or province to province.

Any questions about this Limited Warranty may be directed to Bertazzoni Customer Care.

If located in the USA

TWO-YEAR LIMITED WARRANTY STATEMENT

866 905 0010

<https://us.bertazzoni.com/more/support>

If located in CANADA

866 561 7265

<https://ca.bertazzoni.com/more/support>

DEL ESCRITORIO DE NUESTRO PRESIDENTE

Estimado nuevo propietario de un electrodoméstico Bertazzoni:

Quiero agradecerle que haya elegido uno de nuestros productos para su hogar.

Mi familia comenzó a fabricar electrodomésticos de cocina en Italia en 1882, forjándose una reputación por la calidad de su ingeniería y su pasión por la buena comida.

Hoy en día, nuestros productos destacan por su combinación original de auténtico diseño italiano y tecnología de vanguardia aplicada a los electrodomésticos. Nuestra misión es fabricar productos que funcionen a la perfección y aporten alegría a sus propietarios.

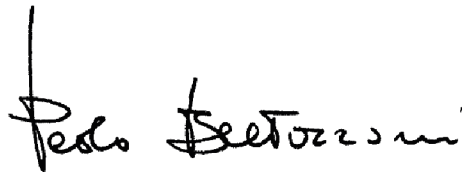
Al fabricar productos de precioso aspecto respondemos al gusto de nuestros clientes por el buen diseño. Al ser versátiles y fáciles de usar, cocinar con Bertazzoni se convierte en un auténtico placer.

Este manual le ayudará a aprender a utilizar y cuidar su electrodoméstico Bertazzoni de la forma más segura y eficaz, para que pueda proporcionarle la máxima satisfacción durante años.

¡Que aproveche!

Paolo Bertazzoni

Presidente

A handwritten signature in black ink that reads "Paolo Bertazzoni". The signature is written in a cursive, flowing style.

VALIDEZ DEL MANUAL DEL USUARIO

El siguiente manual es válido para todos los códigos de producto mencionados a continuación:

- DW24S3IPV

INDICE

INFORMACIÓN GENERAL	55
INFORMACIÓN DE SEGURIDAD	55
RECICLAJE	56
MANUAL DE INSTALACIÓN	58
ESPECIFICACIONES	58
ASPECTO GENERAL	58
ESPECIFICACIONES TÉCNICAS	58
INSTALACIÓN	59
DIMENSIONES DEL RECORTE	59
PANEL DE PUERTA A MEDIDA (PARA MODELOS CON PANEL)	59
REQUISITOS ELÉCTRICOS	59
REQUISITOS DE FONTANERÍA	60
INSTALACIÓN	62
MANUAL DE USO Y MANTENIMIENTO	73
USO	73
PREPARATIVOS	73
DISPOSICIÓN DE LOS PLATOS	74
ESTANTES	78
OPERACIÓN	83
LUCES	88
DISPENSADOR DE DETERGENTE Y ABRILLANTADOR	88
DISPENSADOR DE SALES (PARA MODELOS CON DESCALCIFICADOR)	90
LIMPIEZA Y CUIDADO	92
BRAZOS ASPERSORES	92
FILTRO	93
SOLUCIÓN DE PROBLEMAS	95
SOLUCIÓN DE PROBLEMAS	95
AVISOS AUTOMÁTICOS DE FALLO Y QUÉ HACER	96
INFORMACIÓN PRÁCTICA	98
GARANTÍA Y ASISTENCIA	99
DECLARACIÓN DE GARANTÍA LIMITADA DE DOS AÑOS	99
QUÉ CUBRE ESTA GARANTÍA LIMITADA	99
GARANTÍA DE PROTECCIÓN DEL VIDRIO	99
CÓMO OBTENER EL SERVICIO	99
EXCLUSIONES DE LA GARANTÍA - QUÉ NO ESTÁ CUBIERTO	100

INFORMACIÓN GENERAL

Estas instrucciones son adecuadas para distintos tipos de electrodomésticos, por lo que pueden contener descripciones de funciones que su electrodoméstico puede no incluir o no admitir.

Las imágenes e ilustraciones de este documento se refieren a varios modelos y pueden diferir ligeramente del producto adquirido.

El fabricante no acepta ninguna responsabilidad por daños personales o materiales derivados de una instalación incorrecta o un uso indebido del electrodoméstico.

El fabricante se reserva el derecho de modificar los distintos modelos según sea necesario para cumplir la normativa técnica vigente.

En caso de reclamación, póngase en contacto con el servicio de atención al cliente. Lea detenidamente las instrucciones de este manual antes de instalar y/o utilizar el electrodoméstico. Esto le ayudará a conocer su nuevo electrodoméstico. Conserve este documento a mano para poder consultarlo en cualquier momento y transferirlo a los propietarios posteriores.

Lea los mensajes de seguridad que figuran en la introducción de este manual y preste la debida atención a las notas de seguridad, tales como: «Atención», «Advertencia» y «Peligro» que aparecen en el texto.



PELIGRO

Este símbolo indica una situación que supone un peligro para el usuario y para los demás. Léalo detenidamente y asegúrese de que ha comprendido perfectamente las causas de posibles accidentes peligrosos o mortales.



ADVERTENCIA

Este símbolo indica información de seguridad. Léalo atentamente y asegúrese de haber comprendido perfectamente las causas de los accidentes potencialmente peligrosos.



ATENCIÓN

Este símbolo indica un procedimiento que podría poner en peligro la estructura o los componentes del electrodoméstico. Tenga especial cuidado con estos procedimientos.



NOTA

Este símbolo destaca los métodos o procedimientos para el uso correcto del electrodoméstico.

El modelo, el código de venta y el número de serie están impresos en la placa de características. Consulte la sección Especificaciones de este manual para conocer la ubicación de la placa de características.



NOTA

Le aconsejamos que anote los datos y los números de serie del electrodoméstico para tenerlos a mano en caso necesario.



NOTA

Indique la información que figura en la placa de características para mejorar la eficacia de los servicios posventa y de piezas de recambio. A efectos de garantía, también necesitará la fecha de instalación y el nombre de su distribuidor autorizado Bertazzoni.



ADVERTENCIA

Cuando utilice su lavavajillas, siga las precauciones básicas. Lea todas las instrucciones antes de utilizar el lavavajillas. Guarde estas instrucciones y páselas a cualquier futuro usuario.

- Utilice el lavavajillas solo para los fines previstos.
- Este electrodoméstico está destinado únicamente a un uso residencial.
- Utilice únicamente detergentes o humectantes recomendados para su uso en lavavajillas y manténgalos fuera del alcance de los niños.
- Cuando cargue los objetos que lavar:
 - coloque los objetos afilados de forma que no puedan dañar la junta de la puerta, y
 - cargue los cuchillos afilados con los mangos hacia arriba para reducir el riesgo de lesiones.
- No lave los objetos de plástico a menos que lleven la indicación «apto para lavavajillas» o equivalente. Para los objetos de plástico sin marcar, compruebe las recomendaciones del fabricante.
- No toque la resistencia durante o inmediatamente después de su uso.
- No manipule los mandos.
- No haga funcionar su lavavajillas a menos que todos los paneles del recinto estén correctamente colocados.
- No retire la vajilla del electrodoméstico hasta que haya finalizado el ciclo de lavado.
- Para evitar el riesgo de lesiones, tenga siempre cuidado al abrir la puerta durante o después de un ciclo de lavado, ya que puede salir agua caliente o vapor.
- Compruebe que el dispensador de detergente está vacío tras la finalización de cada ciclo de lavado.

INFORMACIÓN GENERAL

- No haga un mal uso del lavavajillas, no se siente ni se ponga sobre la puerta o el portavajillas.
- Los portavasos están diseñados para sostener tazas, vasos y utensilios de cocina. No se apoye ni utilice los portavasos para soportar el peso de su cuerpo.
- Para evitar el peligro de tropezar, no deje la puerta del lavavajillas abierta.
- No permita que los niños jueguen dentro o encima del lavavajillas.
- Cuando los niños tengan edad suficiente para manejar el electrodoméstico, es su responsabilidad asegurarse de que han sido instruidos adecuadamente sobre las prácticas de seguridad contenidas en este manual.
- Este electrodoméstico debe estar conectado a tierra. En caso de mal funcionamiento o avería, la conexión a tierra reducirá el riesgo de descarga eléctrica al proporcionar un camino de menor resistencia para la corriente eléctrica. Este electrodoméstico está equipado con un cable que tiene un conductor de puesta a tierra del equipo y un enchufe con toma de tierra. El enchufe debe conectarse a una toma de corriente adecuada que esté instalada y conectada a tierra de acuerdo con todos los códigos y ordenanzas locales.



ADVERTENCIA

Una conexión incorrecta del conductor de puesta a tierra del equipo puede provocar un riesgo de descarga eléctrica. Consulte a un electricista cualificado o a un representante del servicio técnico si tiene dudas sobre si el electrodoméstico está correctamente conectado a tierra. No modifique el enchufe suministrado con el electrodoméstico si no se adapta a la toma de corriente. Haga que un electricista cualificado le instale una toma de corriente adecuada.



ADVERTENCIA

Antes de cualquier operación de mantenimiento, apague el electrodoméstico y desconecte el enchufe de la toma de corriente.

- No utilice pulverizadores de agua a alta presión y/o vapor para limpiar el electrodoméstico.
- Asegúrese de que no haya fugas de agua visibles durante y después del primer uso del electrodoméstico.
- Para evitar daños en el suelo y la posible aparición de moho, no permita que queden zonas húmedas alrededor o debajo del lavavajillas.
- Para evitar daños en el lavavajillas, no permita que el agua permanezca en el sistema durante largos periodos de bajas temperaturas.
- No almacene ni utilice líquidos o vapores inflamables dentro, cerca o sobre el electrodoméstico.

- En determinadas condiciones, puede producirse gas hidrógeno en un sistema de agua caliente que no se haya utilizado durante dos o más semanas. EL GAS HIDRÓGENO ES EXPLOSIVO. Si el sistema de agua caliente no se ha utilizado durante dos o más semanas, antes de utilizar el lavavajillas, abra todos los grifos de agua caliente y deje que el agua fluya de cada uno durante varios minutos. Esto libera cualquier gas hidrógeno acumulado. Como el gas es inflamable, no fume ni utilice una llama abierta durante este tiempo.
- Compruebe periódicamente el tubo de suministro de agua. Es susceptible de romperse. Se vuelve menos flexible con el paso del tiempo. Sustitúyalo inmediatamente cuando esté desgarrado, cortado, hinchado o haya una fuga de agua.



ADVERTENCIA

PROPOSICIÓN 65 PARA LOS RESIDENTES DE CALIFORNIA

Cáncer y daños reproductivos – www.P65Warnings.ca.gov

- Retire la puerta del compartimento de lavado cuando ponga fuera de servicio un lavavajillas antiguo o se deshaga de él. Asegúrese de que el electrodoméstico no representa ningún peligro para los niños mientras esté almacenado para su eliminación. Antes de desechar el lavavajillas:
 - Desconecte el electrodoméstico de la red eléctrica.
 - Corte el cable de alimentación y deséchelo.
 - Retire el cierre de la puerta para evitar que los niños y los animales domésticos queden encerrados en el electrodoméstico.
- Los electrodomésticos antiguos pueden contener materiales que es reciclable. Póngase en contacto con la autoridad local de reciclaje para informarse sobre la posibilidad de reciclar estos materiales.
- Por favor, mantenga el paquete del lavavajillas fuera del alcance de los niños después de desembalarlo.



ADVERTENCIA

¡Peligro de lesiones o asfixia! Asegúrese de que todos los envoltorios de plástico, bolsas, trozos pequeños, etc., se eliminan de forma segura y se mantienen fuera del alcance de los niños.

GUARDE ESTAS INSTRUCCIONES

Retire la puerta del compartimento de lavado cuando ponga fuera de servicio un lavavajillas antiguo o se deshaga de él. Asegúrese de que el electrodoméstico no representa ningún peligro para los niños mientras esté almacenado para su eliminación. Antes de desechar el lavavajillas:

- Desconecte el electrodoméstico de la red eléctrica.
- Corte el cable de alimentación y deséchelo.

INFORMACIÓN GENERAL

- Retire el cierre de la puerta para evitar que los niños y los animales domésticos queden encerrados en el electrodoméstico.

Los electrodomésticos antiguos pueden contener materiales que es reciclable. Póngase en contacto con la autoridad local de reciclaje para informarse sobre la posibilidad de reciclar estos materiales.

Por favor, mantenga el paquete del lavavajillas fuera del alcance de los niños después de desembalarlo.



ADVERTENCIA

¡Peligro de lesiones o asfixia! Asegúrese de que todos los envoltorios de plástico, bolsas, trozos pequeños, etc., se eliminan de forma segura y se mantienen fuera del alcance de los niños.

GUARDE ESTAS INSTRUCCIONES

ESPECIFICACIONES

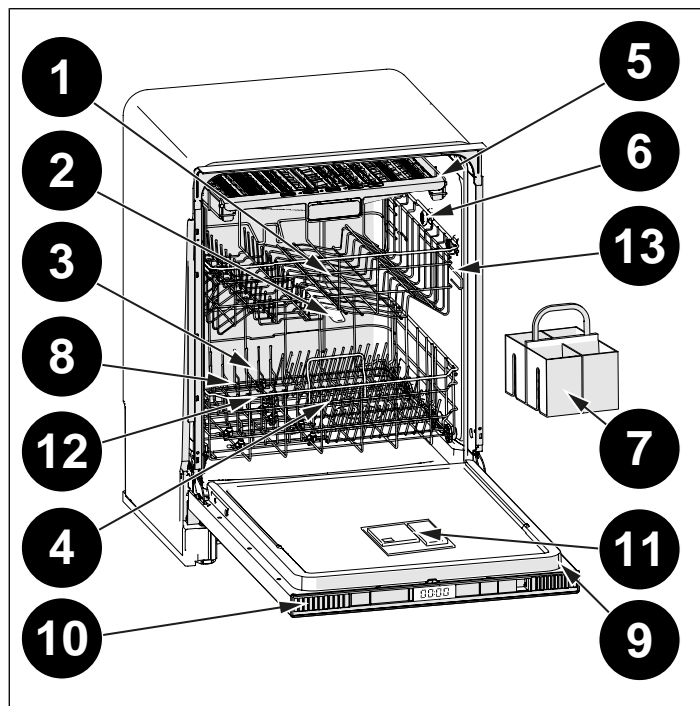


Fig. 1



NOTA

Dado que nos esforzamos continuamente por mejorar nuestros productos, podemos cambiar nuestras especificaciones y diseño sin previo aviso. Este dispositivo corresponde a las siguientes directivas:

Directiva UL 749 para lavavajillas domésticos.

ASPECTO GENERAL

- 1) Cesta superior
- 2) Brazo aspersor superior
- 3) Cesta inferior
- 4) Brazo aspersor inferior
- 5) Tercer estante (según modelo)
- 6) Boquilla superior (según modelo)
- 7) Cesta para cubiertos (según modelo)
- 8) Filtros
- 9) Placas de características
- 10) Panel de control
- 11) Dispensador de detergente y abrillantador
- 12) Dispensador de sales (según modelo)
- 13) Pestillo del riel de la cesta superior

ESPECIFICACIONES TÉCNICAS

Presión de agua admisible	4,35-145 psi (0,3 - 10 bar)
Conexión eléctrica	120 V (voltios), 12 A (amperios), 60 Hz (hercios)
Potencia total	1400 (W)
Potencia del calentador	1100 (W)

INSTALACIÓN

DIMENSIONES DEL RECORTE

La profundidad de armario mostrada incluye el panel frontal del armario de cocina. Para una instalación enrasada, se requiere una profundidad de encastre mínima de 22 1/2" (570) con un grosor de panel de puerta a medida de 3/4" (20).

VISTA SUPERIOR

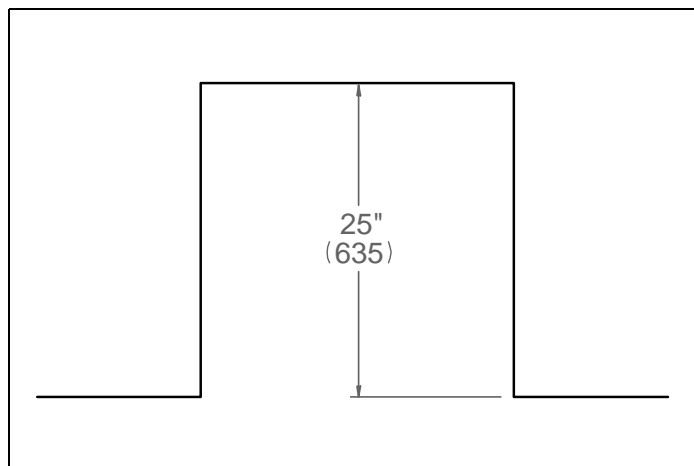


Fig. 2

VISTA FRONTAL

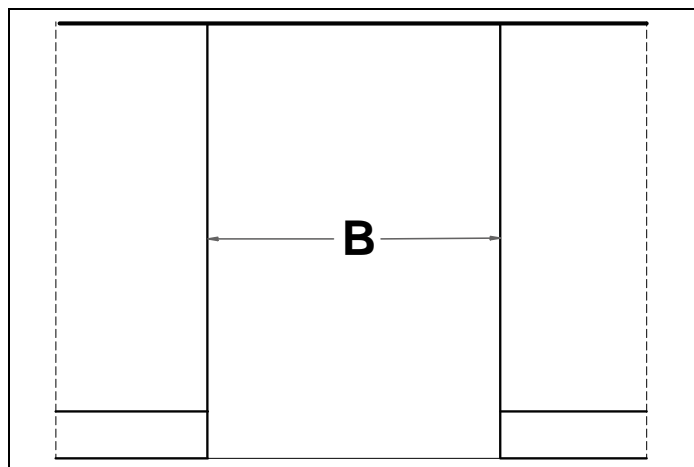


Fig. 3

- **B** 23 5/8" (600 mm)*o 24" (610 mm)**

*sin embellecedores laterales

**con los embellecedores laterales instalados

VISTA LATERAL

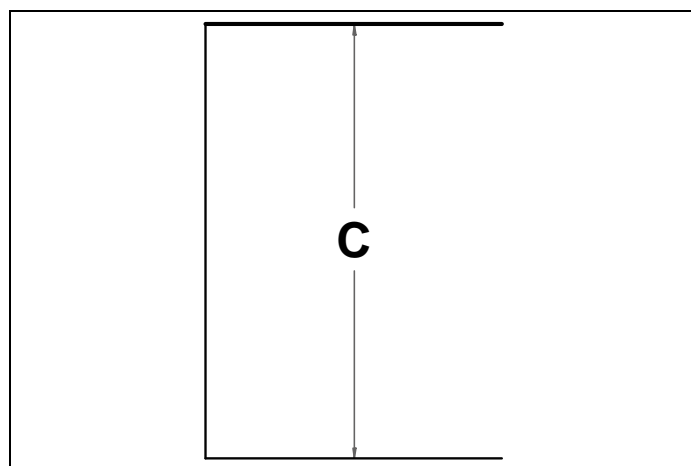


Fig. 4

- **C** 32 7/16" - 34 7/16" (824 mm-874 mm)

PANEL DE PUERTA A MEDIDA (PARA MODELOS CON PANEL)

El grosor del panel a medida puede variar. Se requiere un panel de un grosor mínimo de 1/2" (13 mm), pero el grosor puede aumentarse siempre que el panel no supere un peso de 18 lb (8 kg). La plantilla de panel de puerta a medida que se suministra sirve para paneles de 25" 5/16 (592 mm) - 23" 7/16 (596 mm) de ancho.

VISTA FRONTAL

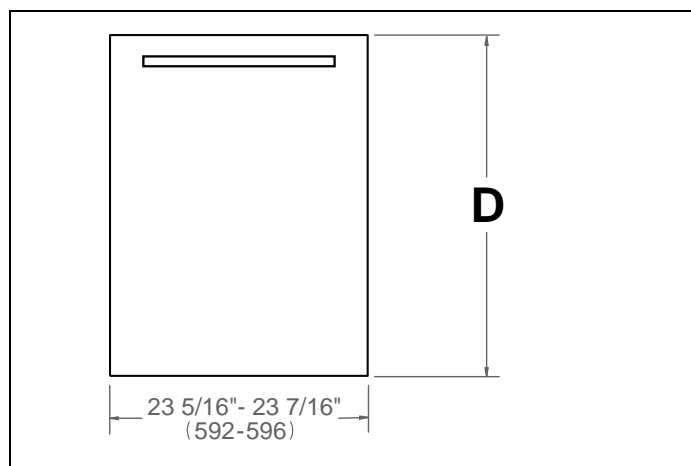


Fig. 5

- **D** 25 1/2" - 28 1/4" (647 mm-717 mm)

REQUISITOS ELÉCTRICOS

Compruebe las normas eléctricas y los códigos locales antes de instalar el electrodoméstico.

Conéctelo a un circuito de alimentación debidamente clasificado, protegido y dimensionado para evitar sobrecargas eléctricas. El lavavajillas está diseñado para un suministro eléctrico de 120 V (voltios), 60 Hz (hercios),

INSTALACIÓN

CA, conectado a un circuito eléctrico separado, debidamente puesto a tierra, que dé servicio solo a este electrodoméstico, con un fusible o disyuntores con capacidad para 15 amperios. Los conductores de alimentación eléctrica deberán ser de un cable de cobre n.º 16 AWG con una capacidad nominal de 167 °F (75 °C) o superior.

Nunca conecte el cable de tierra a tubos de gas, ni a tuberías de agua caliente o tuberías de agua en general.

No utilice ningún cable alargador ni ningún dispositivo de toma de corriente portátil para conectar el lavavajillas a la red eléctrica.

Estos requisitos deben cumplirse para evitar lesiones y daños a la máquina. Consulte a un electricista cualificado en caso de duda.

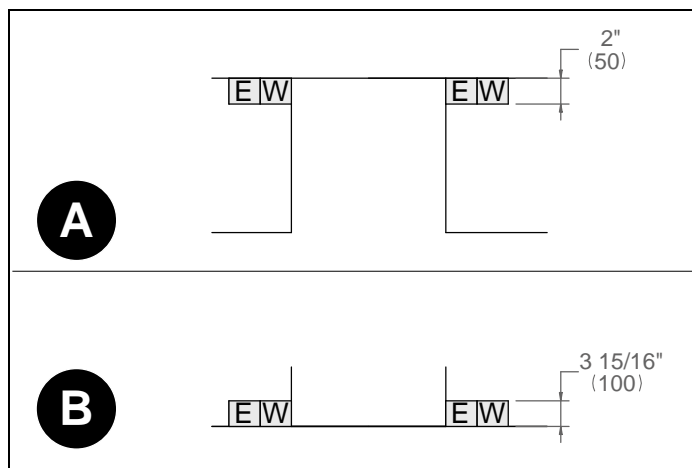


Fig. 6

- **A** VISTA SUPERIOR
- **B** VISTA FRONTAL



Debe instalarse un receptáculo eléctrico debidamente conectado a tierra y montado horizontalmente de acuerdo con este dibujo.

La colocación de las conexiones debe situarse a ambos lados del recorte.

REQUISITOS DE FONTANERÍA

La instalación debe cumplir todos los códigos de fontanería aplicables.

Coloque el suministro de agua y el desagüe en un armario adyacente.

Conecte el suministro de agua a un suministro doméstico de agua caliente con una válvula de cierre de fácil acceso entre el suministro y la unidad.

Los bordes de la abertura deben ser lisos y redondos.

El suministro de agua puede conectarse al lavavajillas con:

- Una manguera trenzada de metal
- Tubo de cobre

Utilice un tubo de cobre con un diámetro exterior mínimo de 3/4" o una línea de suministro para lavavajillas trenzada de metal.

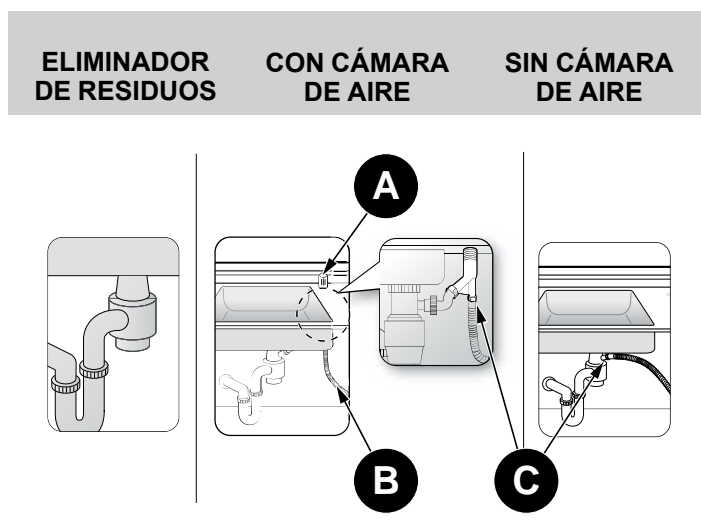
La válvula de entrada de agua del lavavajillas tiene una dimensión de rosca de acoplamiento de entrada de 3/4" – 11,5 NH según ASME B1.20.7-1991. Cuando compre una manguera de entrada de agua para su lavavajillas, elija una manguera de entrada con una dimensión de rosca compatible con la dimensión de rosca del acoplamiento de la válvula de entrada de agua (3/4" – 11,5 NH) de su lavavajillas.

Una línea de desagüe de bucle alto viene instalada de fábrica en la unidad. No retire la abrazadera de bucle alto. En caso necesario, el tubo de desagüe puede prolongarse un máximo de 5" (1,5 m). La manguera de desagüe del lavavajillas debe instalarse con un bucle de desagüe a una distancia mínima de 28" (710 mm) del suelo del armario; de lo contrario, es posible que el lavavajillas no drene correctamente.

Las temperaturas necesarias para soldar dañarán la válvula de entrada de agua del lavavajillas, por lo que si es necesario realizar alguna operación de este tipo, mantenga la fuente de calor a una distancia mínima de 77/8" (200 mm) de la válvula de entrada de agua del lavavajillas. No debe haber curvas cerradas en la tubería de agua que puedan restringir el flujo de agua.

Debe utilizarse cinta de teflón o compuesto para roscas de tuberías para sellar la conexión. Antes de conectar la tubería de cobre de suministro de agua al lavavajillas, lávela con agua caliente para eliminar cualquier material extraño.

INSTALACIÓN



- **A** Cámara de aire
- **B** Manguera de desagüe
- **C** Abrazadera de manguera

Purgue el suministro de agua antes de la conexión final a la unidad.

Esto eliminará cualquier residuo que pueda haber en la tubería al instalar el nuevo suministro de agua. Conecte el tubo trenzado de la unidad al suministro de agua doméstico con el racor suministrado.

Compruebe si hay fugas en todos los accesorios de suministro de agua.

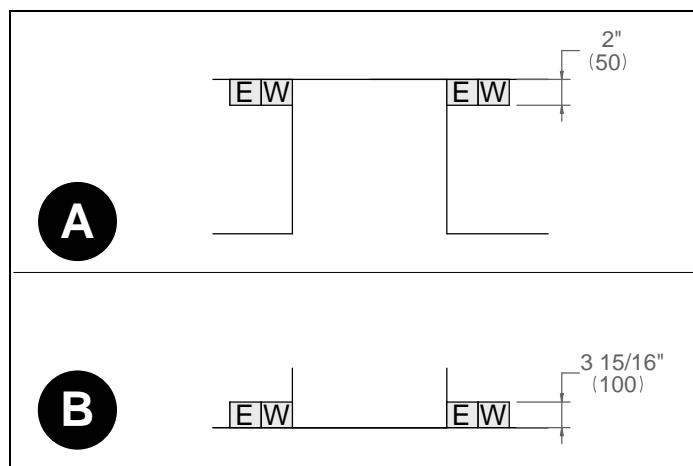
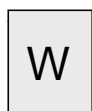


Fig. 7

- **A** VISTA SUPERIOR
- **B** VISTA FRONTAL



Para conectar la red de agua a la rosca de la válvula de entrada de agua, utilice una manguera de entrada de agua de 3/8" y un adaptador metálico de 3/4" con una longitud de 60" (1,5 m) (no suministrado).

INSTALACIÓN

INSTALACIÓN

HERRAMIENTAS QUE PUEDEN SER NECESARIAS

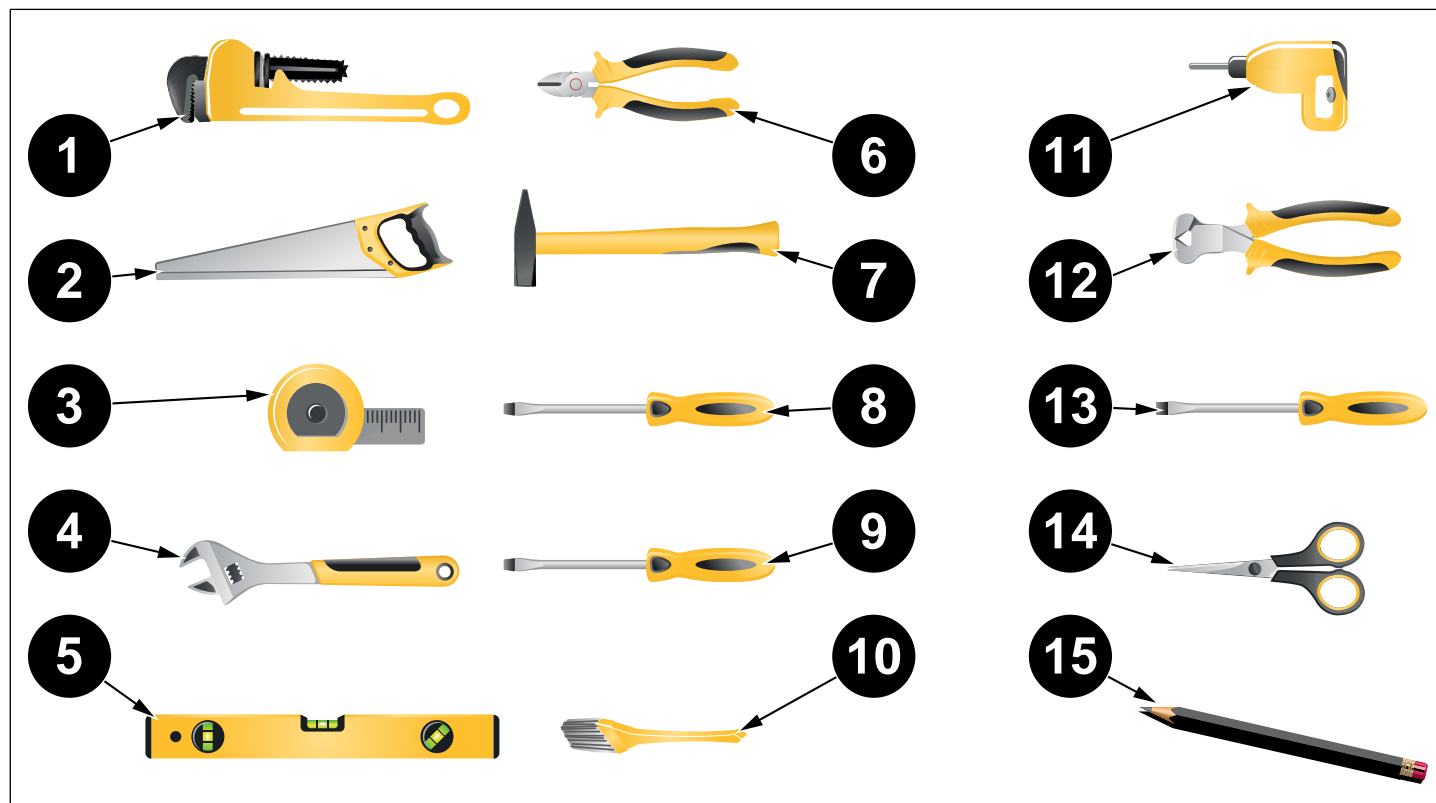



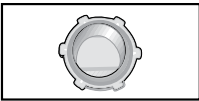
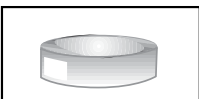


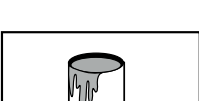
Fig. 8

- 1) Llave de tubo
- 2) Sierra de corona
- 3) Cinta métrica
- 4) Llave ajustable
- 5) Nivel
- 6) Cortador de alambre
- 7) Martillo
- 8) Destornillador Torx (T20)
- 9) Destornillador de ranura
- 10) Cepillo
- 11) Taladro
- 12) Pelacables
- 13) Destornillador Phillips
- 14) Tijeras
- 15) Lapicero

INSTALACIÓN

MATERIALES QUE PUEDEN SER NECESARIOS

(Es posible que se requieran materiales adicionales para cumplir con los códigos locales)

	Línea de suministro de agua caliente - Tubería de cobre de 3/4" de diámetro exterior como mínimo o línea de suministro para lavavajillas con trenzado metálico.
	Conector de conducto o alivio de tensión homologado por UL.
	Cinta de teflón u otro compuesto para roscas de tuberías para sellar las conexiones de agua.
	Válvula de cierre y accesorios adecuados para la línea de suministro de agua caliente (tubo de cobre/accesorio de compresión, o manguera trenzada).
	Silicona
	Pegamento

MATERIALES SUMINISTRADOS

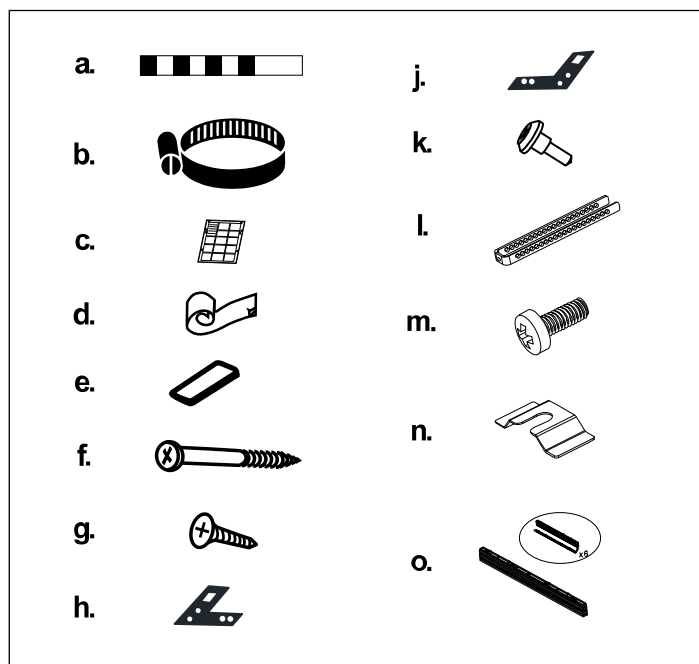


Fig. 9

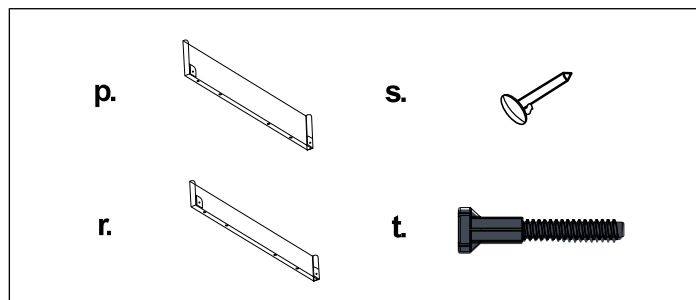


Fig. 10

Las piezas necesarias para colocar el lavavajillas se encuentran en bolsas de plástico. Compruebe que todas las piezas siguientes están contenidas en bolsas de plástico.

BOLSA DE MANUALES

El lavavajillas viene con una bolsa de manuales que contiene: Manual del usuario, Manual de instalación

BOLSA DE PIEZAS PARA LAVAVAJILLAS 1

Esta bolsa para lavavajillas viene con las siguientes piezas:

- a. Tira reactiva(x1)(según el modelo)
- b. Abrazadera de manguera(x1)

BOLSA DE PIEZAS PARA LAVAVAJILLAS 2

- c. Plan de montaje(x1)
- d. Lámina de protección contra el vapor(x1)
- e. Listones de fijación para puertas de madera(x2)

BOLSA DE PIEZAS PARA LAVAVAJILLAS 3

- f. Tornillos $\text{Ø}5/32'' \times 53/32''$ ($\text{Ø}4 \text{ mm} \times 42,5 \text{ mm}$)(x6)
- g. Tornillos $\text{Ø}5/32'' \times 19/32''$ ($\text{Ø}4 \text{ mm} \times 15 \text{ mm}$)(x2)
- h. Soporte de montaje izquierdo(x1)
- j. Soporte de montaje derecho(x1)
- k. Tornillos $\text{Ø}5/32'' \times 27/32''$ ($\text{Ø}4 \text{ mm} \times 21,5 \text{ mm}$)(x2)

BOLSA DE PIEZAS PARA LAVAVAJILLAS 4

(según el modelo)

- l. Soporte de pata(x2)
- m. Tornillos $\text{Ø}5/32'' \times 7/32''$ ($\text{Ø}4 \text{ mm} \times 6 \text{ mm}$)(x2)
- n. Metal de fijación del zócalo(x4)
- o. Zócalo ajustable(x1)
- p. Zócalo ajustable de metal (130 mm) según el modelo (x1)
- r. Zócalo ajustable de metal (80 mm) según el modelo (x1)
- s. Bloqueo de zócalo(x2)

BOLSA DE PIEZAS PARA LAVAVAJILLAS 5

INSTALACIÓN

(según el modelo)

- t. Patas largas(x3)

INSTRUCCIONES IMPORTANTES DE SEGURIDAD

Además de estas instrucciones, se instalará el lavavajillas:

- De acuerdo con todos los códigos locales o, en ausencia de un código local:
- En Estados Unidos, con el Código Eléctrico Nacional,
- En Canadá, con el Código Eléctrico Canadiense C22.1-última edición/Códigos provinciales y municipales y/o códigos locales.

Cuando instale el lavavajillas, siga las precauciones básicas, incluyendo las siguientes:

- La instalación y reparación deben ser realizadas por un instalador cualificado. El trabajo realizado por personas no cualificadas podría ser peligroso y anular la garantía.



NOTA

El lavavajillas debe ser instalado por un fontanero con licencia y seguro, un contratista o un instalador capacitado. La instalación realizada por personas distintas a estas podría dar lugar a una instalación incorrecta y a daños materiales.

- No utilice el electrodoméstico si está dañado, funciona mal, está parcialmente desmontado o si le faltan piezas o las tiene rotas.
- Antes de la instalación o el mantenimiento, desconecte el suministro eléctrico de la zona de trabajo desenchufando la unidad, «disparando» el disyuntor o quitando el fusible.
- No conecte el lavavajillas a la red eléctrica hasta que no haya finalizado todos los trabajos de instalación y fontanería.
- Nunca conecte el cable de tierra a tubos de gas, ni a tuberías de agua caliente o tuberías de agua en general.
- Si el lavavajillas se instala en un lugar sometido a temperaturas bajo cero (por ejemplo, una casa de vacaciones, una cabaña, etc.), deberá vaciar toda el agua de su interior. Las averías del sistema de agua que se produzcan debido a la congelación del agua no están cubiertas por la garantía.
- El lavavajillas debe fijarse a los armarios adyacentes utilizando los soportes suministrados. No hacerlo puede causar daños materiales o lesiones corporales.
- El lavavajillas está destinado exclusivamente a uso residencial y no debe utilizarse en establecimientos comerciales.



NOTA

No utilice ningún cable alargador ni ningún dispositivo de toma de corriente portátil para conectar el lavavajillas a la red eléctrica.



ADVERTENCIA

¡Peligro de asfixia! Asegúrese de que todos los envoltorios de plástico, bolsas, trozos pequeños, etc., se eliminan de forma segura y se mantienen fuera del alcance de los niños.

PREPARACIÓN PARA INSTALAR LOS SOPORTES DE MONTAJE

Los soportes de montaje de la bolsa de plástico deben utilizarse cuando el lavavajillas se instale en un armario. El uso de cualquier pieza que no sean los soportes de montaje puede provocar daños materiales o lesiones corporales.



NOTA

Deberá haber una abertura a través del tabique entre los compartimentos que sea lo suficientemente grande para que pase el tapón de sujeción. La dimensión más larga de la abertura no será superior a 1,5" (38,1 mm)



NOTA

Si el tabique es de madera, los bordes de los armarios deben ser lisos y redondeados o, si el tabique es de metal, los bordes de los armarios deben cubrirse con un protector de bordes; cuando instale o retire el electrodoméstico, tenga cuidado de reducir la probabilidad de que se dañe el cable de alimentación.

- 1) Coloque los dos soportes de montaje en las esquinas superiores del lavavajillas.
- 2) Si es necesario (dependiendo del material del tablero de la encimera), doble los laterales de los soportes de montaje.

Si el material del tablero de la encimera es de madera, etc.

INSTALACIÓN

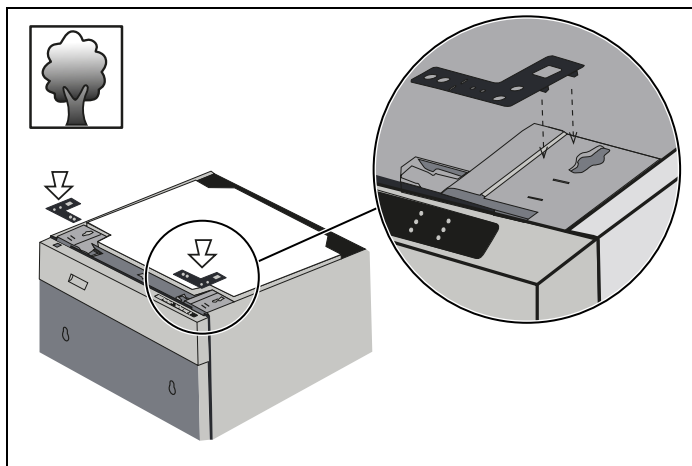


Fig. 11

Si el material del tablero de la encimera es de cerámica, etc.

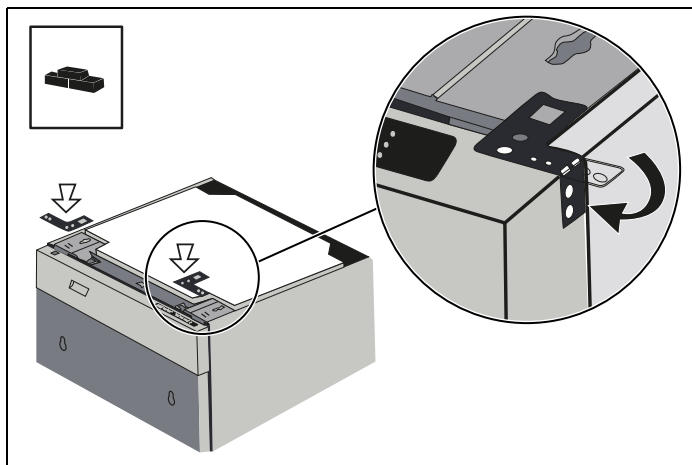


Fig. 12

AJUSTE DE ALTURA

- 1) Mantenga las patas delanteras a la altura mínima antes y durante la colocación del lavavajillas en el recorte del armario.
- 2) Ajuste el nivel de las patas delanteras con un destornillador de ranura para estabilizar el lavavajillas y elevarlo a la altura del recinto.
- 3) Ajuste el nivel de las patas traseras con un destornillador Phillips para equilibrar y elevar el lavavajillas a la altura del recinto.



NOTA

Asegúrese de que el lavavajillas está a plomo y tenga en cuenta que puede colocarse con un pequeño espacio libre bajo la encimera.

Para las patas delanteras; girando las patas en la dirección de las flechas negras con el destornillador de ranura se desplaza el lavavajillas hacia abajo.

Para las patas traseras; girando el destornillador Phillips en la dirección de las flechas negras moverá las patas del lavavajillas hacia abajo.

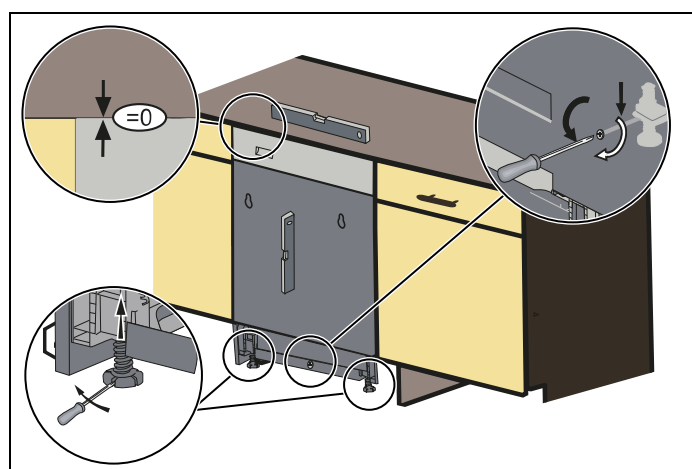


Fig. 13

Si la altura del armario es de 32 7/16" - 34 7/16" (824 mm-874 mm), utilice soportes cortos como se muestra en la figura.

opc.(+50) H= 34 7/16" - 36 3/8" (874 mm-924 mm)

Si la altura del armario es superior a 34 7/16" (874 mm), utilice soportes largos como se muestra en la figura.

LÁMINA DE PROTECCIÓN CONTRA EL VAPOR

El vapor se liberará cuando se abra la puerta del lavavajillas durante el funcionamiento del mismo y tras la finalización del ciclo de trabajo. Para evitar que el vapor resultante se acumule y dañe la parte inferior de la encimera, utilice una lámina protectora contra el vapor incluida en la bolsa de plástico.

Limpie la superficie con un paño húmedo antes de aplicar la protección contra el vapor en la parte inferior de la encimera.

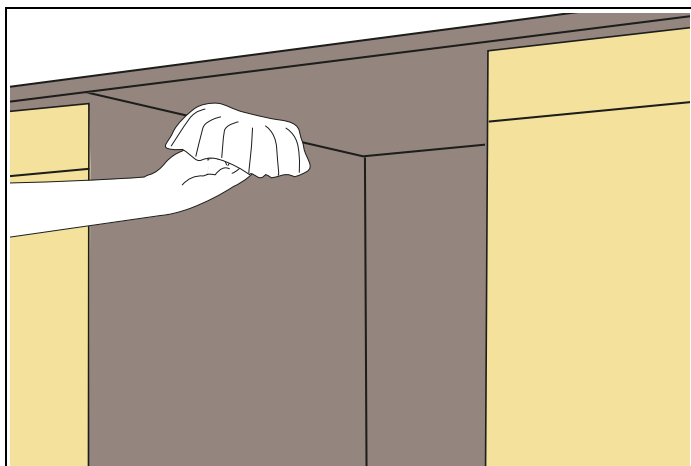


Fig. 14

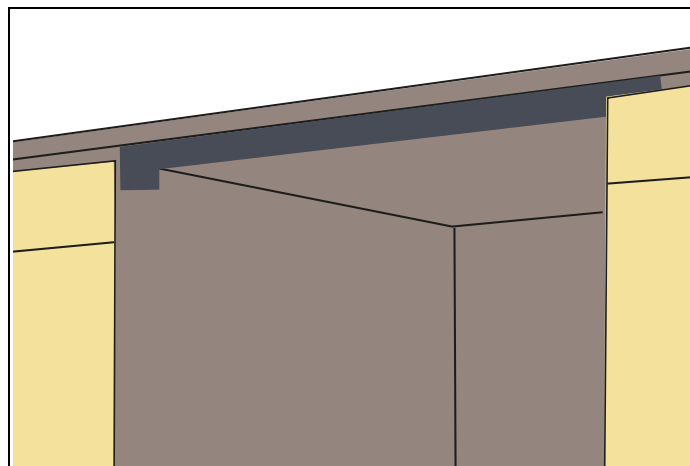


Fig. 16

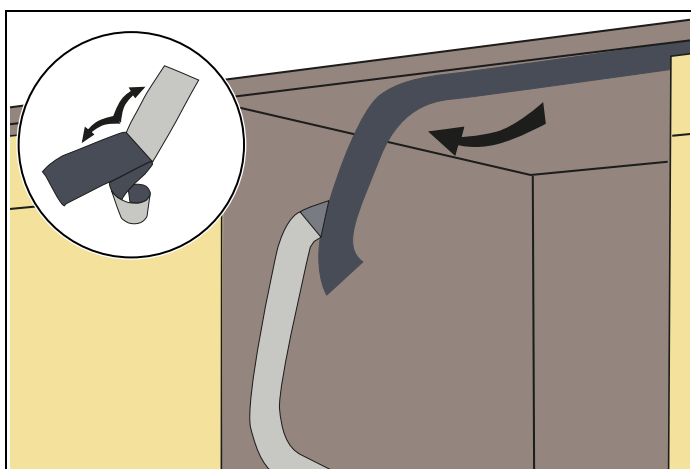


Fig. 15



ATENCIÓN

La lámina de protección contra el vapor debe colocarse en el lugar por el que sale el vapor al abrir la puerta por primera vez. **No colocar la lámina de protección contra el vapor durante la instalación puede provocar daños en los armarios y la encimera.**

COLOCACIÓN DEL LAVAVAJILLAS EN LA ABERTURA

Ahora coloque el lavavajillas en el hueco y prepárese para conectar todas las mangueras y conexiones eléctricas.



ATENCIÓN

Asegúrese de que todas las mangueras pasen a través de la abertura lateral del armario, que no haya ninguna manguera doblada y que se haya eliminado toda la holgura como se muestra en la figura.

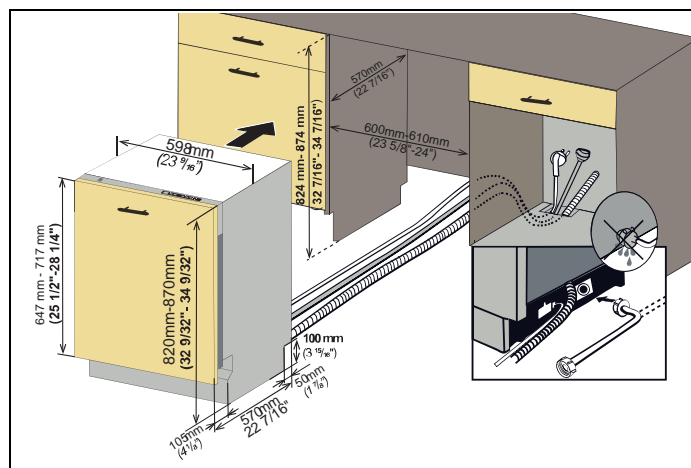


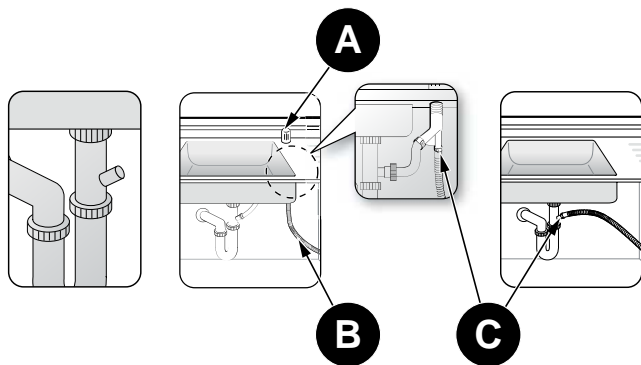
Fig. 17

CONEXIÓN DE LA MANGUERA DE DESAGÜE

- 1) Compruebe las piezas del fregadero a las que se conectará la manguera de desagüe.
- 2) Hay varias formas de insertar la manguera de desagüe en el conector de la manguera de desagüe del fregadero, como se muestra en las siguientes figuras. Debe conectar la manguera de desagüe de acuerdo con las normas de instalación de tuberías de agua de su región.

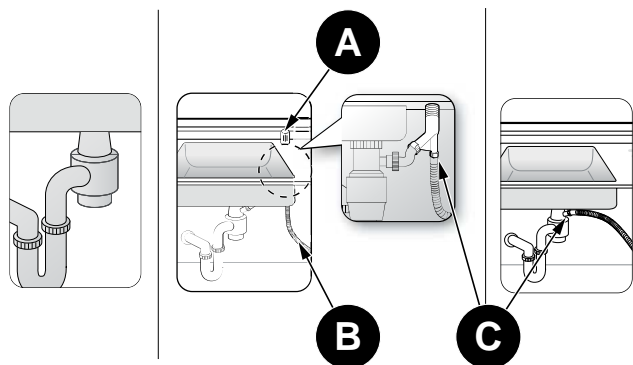
INSTALACIÓN

ELIMINADOR DE RESIDUOS	CON CÁMARA DE AIRE	SIN CÁMARA DE AIRE
------------------------	--------------------	--------------------



- **A** Cámara de aire
- **B** Manguera de desagüe
- **C** Abrazadera de manguera

ELIMINADOR DE RESIDUOS	CON CÁMARA DE AIRE	SIN CÁMARA DE AIRE
------------------------	--------------------	--------------------



- **A** Cámara de aire
- **B** Manguera de desagüe
- **C** Abrazadera de manguera

3) Compruebe el tamaño del conector de la manguera de desagüe del fregadero. Si es necesario, corte la manguera de desagüe para que su extremo encaje en el conector del fregadero (5/8", 3/4" o 1" - como se muestra en Fig. 18). Si el extremo de la manguera de desagüe no encaja en el conector de la manguera de desagüe del fregadero, utilice un adaptador que puede adquirir en una tienda de suministros de fontanería/ferretería.

Si es necesario, corte la línea de puntos de la manguera de desagüe para ajustarla a su tamaño.

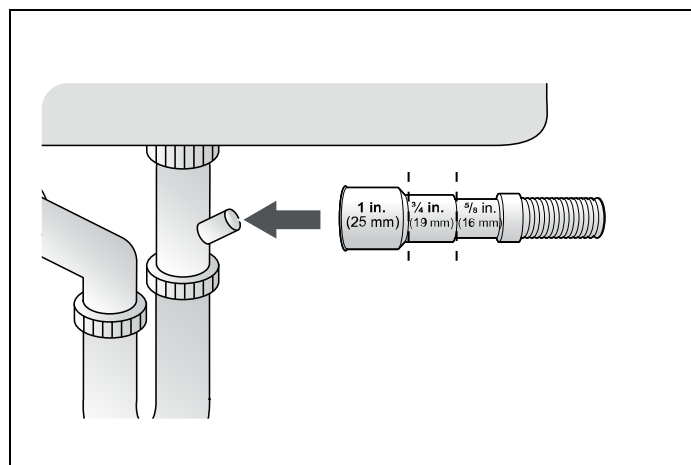


Fig. 18

4) Deslice una abrazadera sobre el extremo de la manguera de desagüe. Conecte la manguera de desagüe al conector del fregadero, deslice la abrazadera de la manguera hasta el extremo de la manguera y, a continuación, apriete la abrazadera.



NOTA

Debe utilizar una abrazadera de manguera. De lo contrario, podrían producirse fugas de agua.

Utilice una abrazadera de manguera como se muestra en Fig. 19 para ensamblar la manguera de desagüe al fregadero.

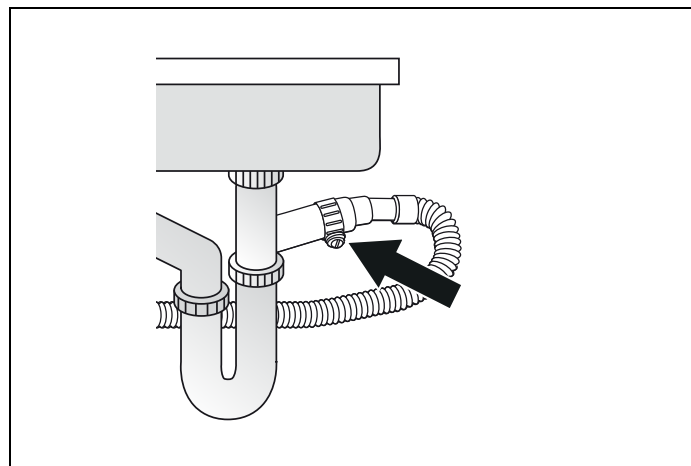


Fig. 19

5) Si no hay cámara de aire, asegúrese de suspender la parte central de la manguera de desagüe muy por encima de la base del armario del fregadero para evitar el reflujo (consulte Fig. 20).

INSTALACIÓN

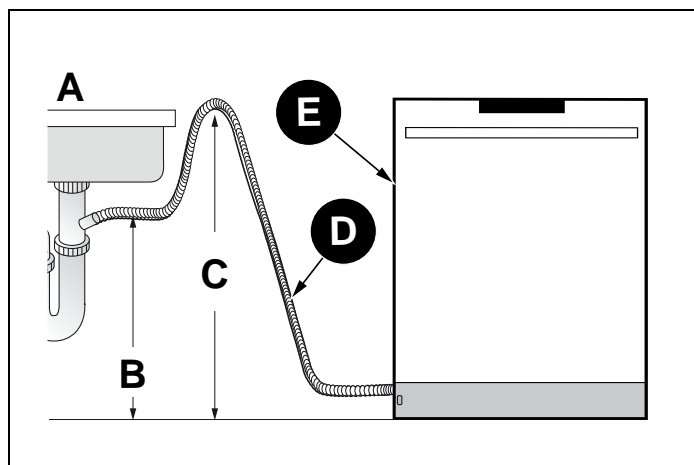


Fig. 20

- **A** Fregadero
- **B** Mín. 20" (508 mm)
- **C** Mín. 30" (762 mm)
- **D** Manguera de desagüe
- **E** Lavavajillas

6) Cuando taladre un orificio para la manguera de desagüe en la pared del armario, asegúrese de que la manguera de desagüe no resulte dañada por los bordes afilados del orificio. En paredes de madera, lije el orificio para suavizar los bordes. En paredes metálicas, utilice cinta aislante o cinta aislante para conductos para cubrir los bordes afilados alrededor del orificio.

7) Tenga cuidado de no dañar la manguera de desagüe cuando instale el lavavajillas en el suelo, una pared o un armario. Para evitar fugas o problemas de desagüe, asegúrese de que la manguera de desagüe no esté dañada, doblada o retorcida.

8) No corte la zona arrugada de la manguera de desagüe para ajustarla al tamaño. Al colocar la manguera de desagüe, asegúrese de no tocar los bordes afilados del armario o de debajo del fregadero.

- Tenga cuidado al cortar el extremo de la manguera de desagüe, ya que existe riesgo de lesiones. Limpie alrededor de la conexión de desagüe del fregadero para no dañar la manguera. Compruebe si hay algún elemento extraño en la manguera de desagüe y retírelo.
- Cuando disponga la manguera de desagüe, asegúrese de que no esté cortada, rasgada o rota por ningún borde afilado del suelo, del propio producto o del armario. Una manguera de desagüe dañada provoca una fuga.

AJUSTE DEL ZÓCALO MÓVIL (SEGÚN EL MODELO)

Ahora que ya ha instalado correctamente el lavavajillas, tiene que fijar el zócalo al lavavajillas. El zócalo de dos piezas puede ajustarse a la altura y profundidad necesarias para su cocina.

1)

- **A.** Si la altura es de 32 7/16" a 34 7/16" (824 mm-874 mm) y se utilizan soportes cortos: zócalo metálico ajustable de 3 1/8" (80 mm) de longitud (v), se

instalan soportes de zócalo (o). El montaje se realiza con tornillos de 5/32" x 7/32" (4 mm x 6 mm) con un destornillador Phillips.

- **B.** Si la altura es superior a 34 7/16" (874 mm) y se utilizan soportes cortos: zócalo metálico ajustable de 5 1/8" (130 mm) de longitud (v), se instalan soportes de zócalo (o). El montaje se realiza con tornillos de 5/32" x 7/32" (4 mm x 6 mm) con un destornillador Phillips.

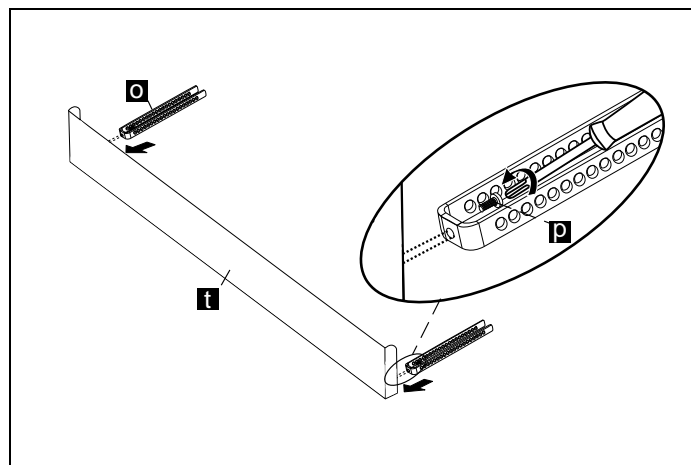


Fig. 21

- 2) El número de zócalos ajustables se determina en función de la distancia requerida y se ensamblan entre sí.
- 3) Como se muestra en Fig. 22, los pies cilíndricos del zócalo ajustable se fijan a las piezas metálicas de fijación del zócalo y se introducen a través de la cavidad de la pieza.

En función de la profundidad deseada, el bloqueo del zócalo (y) se fija al soporte del zócalo (o).

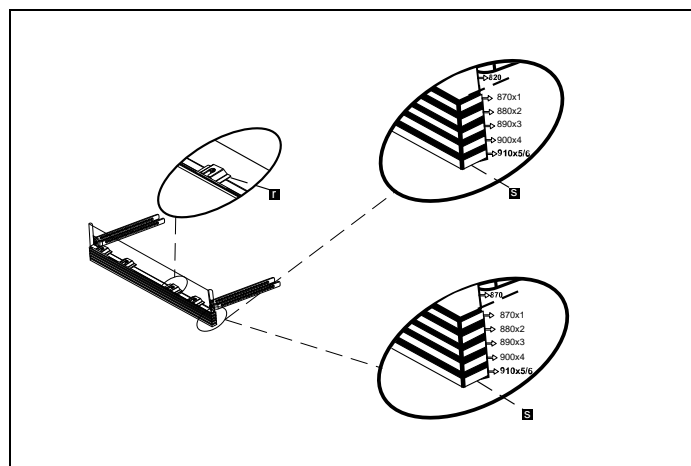


Fig. 22

- 4) Por último, se fijan los soportes de zócalo (o) a los huecos bajo la máquina y se completa la instalación.

INSTALACIÓN

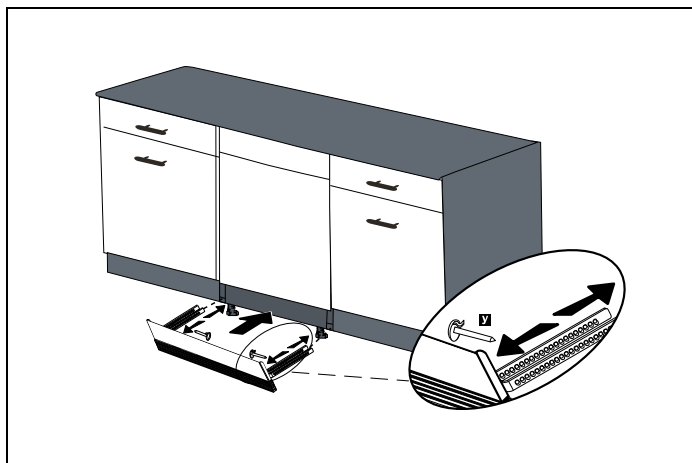


Fig. 23

INSTALACIÓN DE LA PUERTA EXTERIOR (SEGÚN MODELO)

Como se muestra en Fig. 24 , debe medir la altura y la profundidad del armario para determinar las dimensiones de la puerta exterior.

- 1) El plan de instalación se encuentra en la bolsa de plástico fijada en el interior de la puerta del lavavajillas.



NOTA

Al fijar el plano de instalación, asegúrese de que se adhiere al interior de la puerta. Una vez finalizada la fijación, el plano de instalación debe permanecer recto sobre la puerta exterior.

- 2) Como se muestra en Fig. 24 , el orificio para los tornillos se abre hacia la puerta exterior desde los puntos marcados en el plano de instalación. Diámetro de la broca: 5/64" (2 mm) Profundidad de la broca: 15/32" (12 mm)

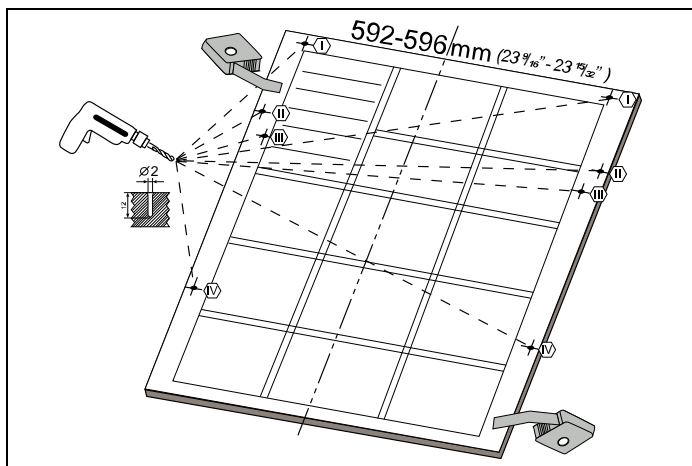


Fig. 24

- 3) Como se muestra en Fig. 25 , se instalan los tornillos \emptyset 5/32" x 27/32" (4 mm x 21,5 mm) en las posiciones III.

- 4) Como se muestra en Fig. 25 , los listones de fijación de madera para puertas se instalan en las posiciones indicadas en la figura.

NOTA



Antes de colocar las tiras de fijación de madera para puertas, retire los papeles blancos de la superficie por ambos lados.

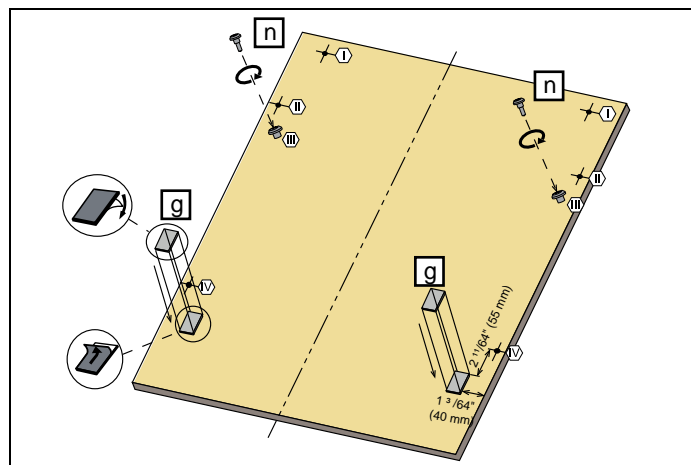


Fig. 25

- 5) Antes de montar la puerta de madera en el lavavajillas, monte el tirador en la puerta de madera como en Fig. 26 .
- 6) Los tornillos situados en la puerta de madera se ajustan al lavavajillas en las descargas situadas en la lámina exterior de la puerta y se montan como se muestra en Fig. 27 .

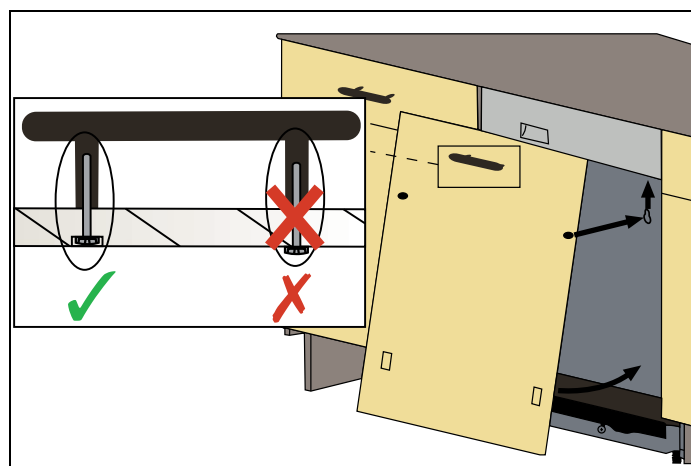


Fig. 26

- 7) Como se muestra en Fig. 27 , se instalan los tornillos \emptyset 5/32" x 53/32" \emptyset (4 mm x 42,5 mm) en las posiciones I, III y V.

INSTALACIÓN

NOTA



Antes de montar los tornillos $\text{Ø}5/32'' \times 53/32'' \text{Ø}$ (4 mm x 42,5 mm); los tornillos de las posiciones I, III y V deben retirarse.

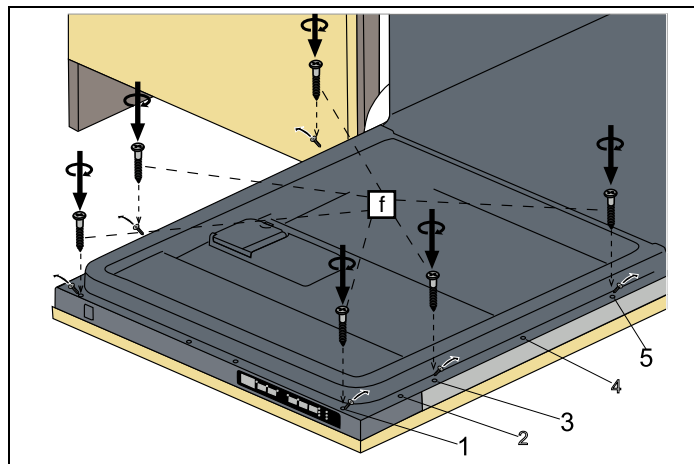


Fig. 27

8) En función del peso de la puerta de madera montada, el equilibrado debe realizarse mediante el mecanismo que se muestra en Fig. 28 .

- Si la puerta de madera tiende a abrirse porque los muelles de las bisagras están ajustados para un panel a medida más pesado, deberá girar el mecanismo en la dirección de la flecha blanca con un destornillador Phillips.
- Si la puerta de madera tiende a cerrarse porque los muelles de las bisagras están ajustados para un panel a medida más ligero, deberá girar el mecanismo en la dirección de la flecha blanca con un destornillador Phillips.

NOTA



El diámetro mínimo del destornillador Phillips es de $15/64''$ (6 mm) para esta aplicación.

9) Después de equilibrar la puerta, se pegan las tapas de los orificios en los huecos vacíos y se cierran los orificios.

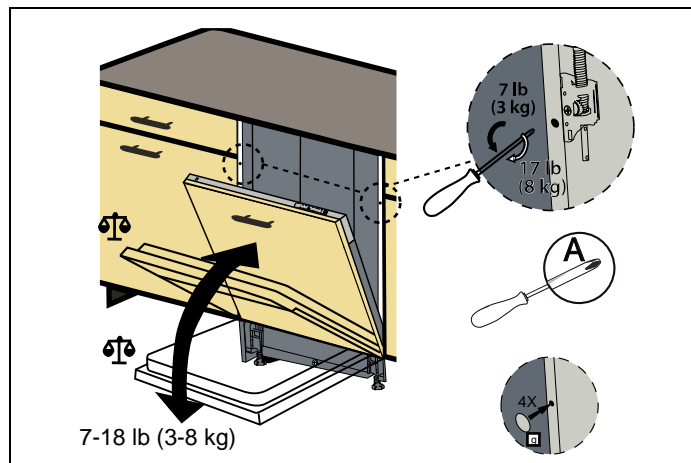


Fig. 28

10) Los soportes de montaje previamente fijados al lavavajillas también se fijan al armario con tornillos $\text{Ø}5/32'' \times 19/32''$ ($\text{Ø}4$ mm x 15 mm).

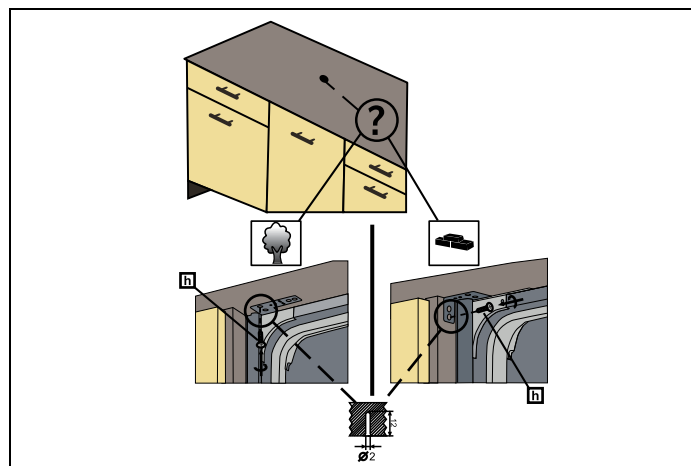


Fig. 29

11) Compruebe si la parte inferior de la puerta toca el zócalo del armario de cocina.

- Si la puerta golpea el zócalo, corte la sección necesaria del mismo.
- Aplique silicona o sellador al borde cortado del zócalo del armario de cocina o píntelo para que no absorba la humedad.

INSTALACIÓN

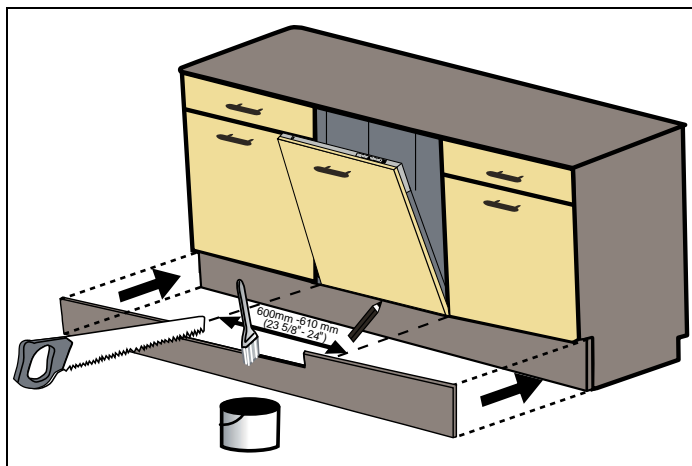


Fig. 30

LISTA DE COMPROBACIÓN DEL INSTALADOR

Su instalador debe haber completado y comprobado lo siguiente:

- El lavavajillas está recto y nivelado.
- El lavavajillas está bien sujeto al armario.
- La puerta del lavavajillas se abre y se cierra libremente. La puerta del lavavajillas debe cerrarse sin golpear ningún armario o encimera.
- Se abre el suministro de agua de entrada y se comprueba que no haya fugas.
- Se ha conectado la manguera de desagüe y se ha comprobado que no haya fugas. No debe haber dobleces ni obstrucciones en la manguera de desagüe.
- La manguera de desagüe debe instalarse con un bucle de desagüe de 30" (762 mm) de altura para los enganches de desagüe sin extracción de aire.
- Si conecta la manguera de desagüe de agua a una espita de sifón bajo el fregadero, retire la membrana de plástico. Si no retira toda la membrana, los restos de alimentos podrían causar una obstrucción en la espita de la manguera de desagüe. Asegúrese de utilizar una abrazadera para fijar la manguera a la espita.
- Los brazos aspersores están libres y giran libremente.
- Se ha ejecutado el ciclo de aclarado.
- El nivel del agua estará por debajo de la rejilla del filtro una vez finalizado el programa de lavado. Es normal encontrar algo de agua en la zona del filtro de desagüe.

INSTRUCCIONES FINALES

- 1) Pulse el botón de encendido/apagado para encender el lavavajillas.
- 2) Se ilumina la luz indicadora de encendido.
- 3) Utilice el botón de selección de programas para elegir un programa de lavado.
- 4) Inicie el programa con el botón Inicio/Pausa/Cancelar.
- 5) Haga funcionar el lavavajillas durante un ciclo completo. Una vez finalizado el ciclo de lavado, utilice el botón de encendido/apagado para apagar el lavavajillas.

NOTA



Si el lavavajillas no funciona correctamente, lea los consejos de autoayuda.

CONSEJOS DE AUTOAYUDA

La pantalla no se enciende:

- Compruebe que el disyuntor del lavavajillas está en la posición ON.
- Compruebe que el cable de alimentación está enchufado.

No entra agua en el lavavajillas:

- Compruebe que el cierre del agua está en la posición ON.

El agua no se desagua:

- Asegúrese de que la manguera de desagüe no esté doblada ni sobresalga de la cámara de aire junto al fregadero.
- Retire la manguera de desagüe del eliminador de residuos asegurándose de que el tapón está retirado.

NOTA



Si su lavavajillas no funciona correctamente después de seguir estos pasos: Póngase en contacto con su distribuidor para programar que un agente de servicio autorizado inspeccione su nuevo lavavajillas para detectar cualquier fallo relacionado con el funcionamiento.

La garantía del fabricante no cubre las visitas del servicio de instalación, conversión o formación del cliente.

INSTALACIÓN

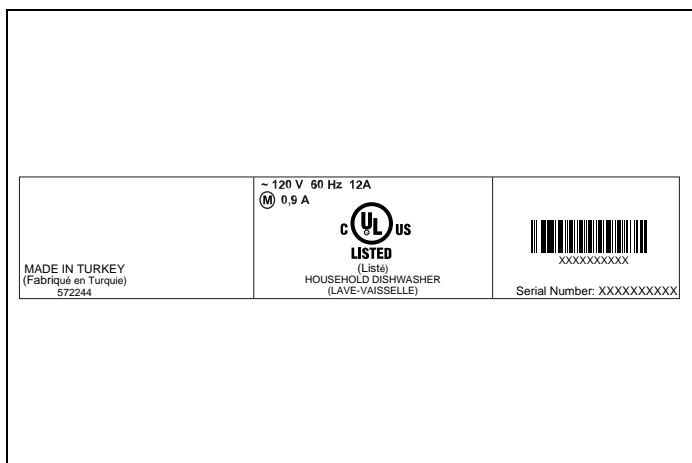


Fig. 31

Encontrará la información sobre el modelo y el número de serie en la etiqueta situada en el lado derecho de la puerta interior de su lavavajillas, como se muestra arriba.



NOTA

Por favor, haga una copia de su factura y guárdela con este manual y registre su lavavajillas en línea.

PREPARATIVOS

PREPARACIÓN DE SU LAVAVAJILLAS PARA EL PRIMER USO

- Asegúrese de que las especificaciones de electricidad y agua de suministro coinciden con los valores indicados en las instrucciones de instalación de la máquina.
- Retire todo el material de embalaje del interior de la máquina.
- Ajuste el nivel del descalcificador según las instrucciones de este manual (según el modelo).
- Ajuste la dosis de abrillantador según las instrucciones de este manual.

AJUSTE DEL DESCALCIFICADOR (SEGÚN EL MODELO)

El lavavajillas necesita agua blanda para obtener buenos resultados de limpieza. El agua dura provoca la acumulación de depósitos calcáreos en la vajilla y en el lavavajillas. Su lavavajillas dispone de un sistema especial de descalcificación del agua para eliminar la dureza del agua del grifo. Ajustar correctamente este sistema aumentará la eficacia del lavado.

Los suministros de agua con un nivel de dureza superior a 5 gpg (9° f) deben ablandarse.

Si el nivel de dureza del agua que utiliza es superior a 53 gpg (90° f) o si utiliza agua de pozo, le recomendamos que utilice filtros y dispositivos de purificación del agua.

El lavavajillas está preajustado al nivel 1 (inactivo) de dureza del agua. Si este ajuste coincide con la dureza de su agua, no necesita hacer nada más. El lavavajillas debe estar programado para la dureza del agua de su zona.

Para conocer el nivel de dureza del agua de su zona, póngase en contacto con la Junta Local del Agua, o determine el nivel de dureza del agua utilizando la tira reactiva que se proporciona.



ADVERTENCIA

Si se muda a otro lugar, el nivel de dureza del agua podría ser diferente. Es esencial reajustar la dureza del agua para obtener una eficacia de lavado óptima.

Siga los pasos de la imagen cuando utilice la tira reactiva.

Deje correr el agua por el grifo (1 min)	Mantenga la tira en el agua (1 seg)	Agite la tira	Espere (1 min)	Ajuste el nivel de dureza de su máquina



NOTA

El nivel está fijado en 1 por defecto. Si el agua es de pozo o tiene un nivel de dureza superior a 90 dF, recomendamos utilizar dispositivos de filtrado y refinado.

TABLA DE DUREZA DEL AGUA

Nivel	Granos por galón	French dF	Indicador
1	0-5 gpg	0-9	SL1 aparece en la pantalla.
2	6-12 gpg	10-20	SL2 aparece en la pantalla.
3	13-18 gpg	21-30	SL3 aparece en la pantalla.
4	19-23 gpg	31-40	SL4 aparece en la pantalla.
5	24-32 gpg	41-60	SL5 aparece en la pantalla.
6	33-53 gpg	61-90	SL6 aparece en la pantalla.

Ajuste la dureza del agua de su máquina según el nivel especificado en la tira reactiva (si la tiene).

Para cambiar el nivel de dureza del agua, siga los pasos que se indican a continuación:

- 1) Encienda la máquina y pulse el botón Extra seco durante 3 segundos para acceder a los ajustes del menú: en la pantalla aparecerá el nivel de dureza del agua (SL1 es el ajuste de fábrica)
- 2) Pulse una vez el botón Media carga y el nivel de dureza del agua (por ejemplo, SL1) empezará a parpadear
- 3) Cambie el nivel de dureza del agua pulsando los botones de retardo
- 4) Pulse de nuevo el botón de Media carga para guardar el nivel deseado: el nuevo nivel seleccionado dejará de parpadear
- 5) Salga de los ajustes del menú pulsando el botón Extra seco durante 3 segundos o apague la máquina.



ADVERTENCIA

Para que el sistema de descalcificación del agua funcione correctamente, el lavavajillas debe llenarse con sales para lavavajillas antes del primer lavado. Consulte las instrucciones en el capítulo del dispensador de sales.

DISPOSICIÓN DE LOS PLATOS

Si coloca correctamente la vajilla en la máquina, la estará utilizando de la mejor manera en cuanto a consumo de energía y rendimiento de lavado y secado.

En la cesta inferior puede cargar objetos redondos y profundos como ollas con asas largas, tapas de ollas, platos, platos de ensalada, juegos de cubiertos. La cesta superior ha sido diseñada para platos de postre, ensaladeras, tazas y vasos. Cuando coloque vasos y copas de tallo largo, apóyelos contra el borde de la cesta, el estante o el alambre portavasos y no contra otros objetos. No apoye los vasos largos unos contra otros o perderán el equilibrio y podrían dañarse. Es más apropiado colocar las partes estrechas y delgadas en las secciones centrales de las cestas. Puede colocar las cucharas entre otros cubiertos para evitar que se peguen entre sí.

Le recomendamos que utilice el estante para cubiertos para obtener los mejores resultados. Para evitar posibles lesiones, coloque siempre los utensilios de mango largo y punta afilada, como tenedores de servir, cuchillos de pan, etc., con las puntas afiladas hacia abajo o en posición horizontal sobre las cestas.



ADVERTENCIA

Coloque los platos en la máquina de forma que no impidan el giro de los brazos aspersores superior e inferior.



ADVERTENCIA

No introduzca en el electrodoméstico objetos que puedan absorber agua (esponjas, paños de cocina).



NOTA

Coloque todos los recipientes como tazas, vasos y ollas en el lavavajillas con la abertura hacia abajo (para que no puedan acumular agua).



NOTA

Los platos y cubiertos no deben colocarse unos encima de otros.



NOTA

No sobrecargue el lavavajillas y preste atención a las instrucciones del fabricante respecto a la vajilla que es adecuada para su uso en esta máquina. Solo con la vajilla adecuada (mencionada en la sección 5) obtendrá unos resultados de lavado óptimos con un uso sensato de la energía.

El agua a alta temperatura y el detergente del lavavajillas pueden formar una síntesis química que puede dañar ciertos objetos.



ADVERTENCIA

Tenga cuidado al cargar y descargar objetos punzantes. Cargue los cuchillos afilados con los mangos hacia arriba para reducir el riesgo de lesiones.

Siga los pasos que se indican a continuación antes de cargar el lavavajillas.

- 1) Abra la puerta.
- 2) Retire los restos de alimentos de la vajilla.
- 3) Cargue el lavavajillas.



NOTA

Si abre la puerta mientras el electrodoméstico está en funcionamiento, todas las funciones se interrumpen automáticamente. Una vez cerrada la puerta, las funciones reanudarán su funcionamiento.

ESTANTE SUPERIOR

Cargue el estante superior con platos de postre, tazas, vasos, etc.

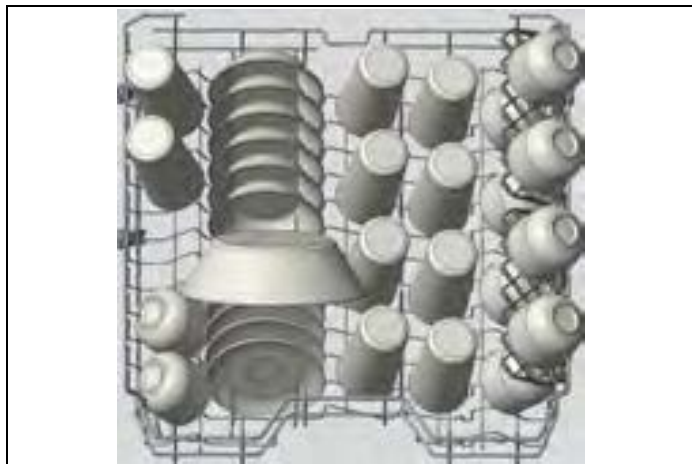


Fig. 32

Patrón de carga del estante superior para 10 cubiertos.

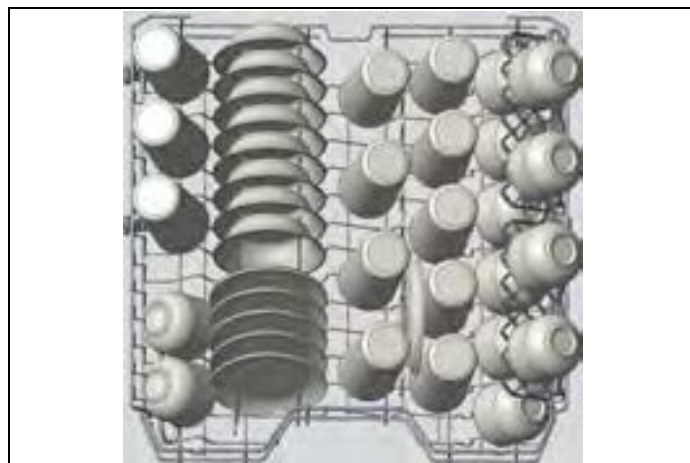


Fig. 33

Patrón de carga adicional para 12 cubiertos.

ESTANTE INFERIOR

En la cesta inferior puede cargar objetos redondos y profundos como ollas con asas largas, tapas de ollas, platos, platos de ensalada, juegos de cubiertos. El estante inferior no debe utilizarse para objetos pequeños como tazas o copas de vino.



Fig. 34

Patrón de carga del estante inferior para 10 cubiertos.



Fig. 35

Patrón de carga adicional para 12 cubiertos.



NOTA

Coloque todos los objetos grandes y muy sucios en el estante inferior.



ADVERTENCIA

Los cuchillos grandes y otros utensilios con puntas y bordes afilados deben colocarse horizontalmente en el estante superior debido al riesgo de lesiones. Otros cuchillos más pequeños y utensilios afilados deben colocarse con el lado afilado hacia abajo en la cesta de los cubiertos.



NOTA

Asegúrese de que los objetos grandes no interfieran con la rotación de los brazos aspersores y no impidan la apertura del dispensador de detergente.

TERCER ESTANTE (SEGÚN MODELO)

Los cubiertos deben colocarse en el portacubiertos separados unos de otros en las posiciones adecuadas, y asegúrese de que los utensilios no se aniden unos con otros, ya que esto puede provocar un mal funcionamiento. Para una limpieza de calidad, coloque los cubiertos en la cesta asegurándose de que:

- No se pegan unos a otros.
- Cargue los cubiertos con los lados puntiagudos y afilados hacia abajo.
- Los utensilios largos van en el centro.

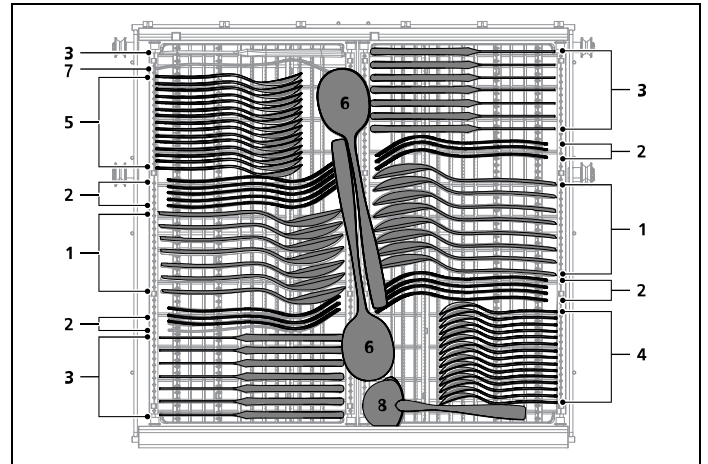


Fig. 36

- 1) Cucharas soperas
- 2) Tenedores
- 3) Cuchillos
- 4) Cucharillas
- 5) Cucharas de postre
- 6) Cucharas de servir
- 7) Tenedores para servir
- 8) Salsera

CESTA PARA CUBIERTOS (SEGÚN MODELO)

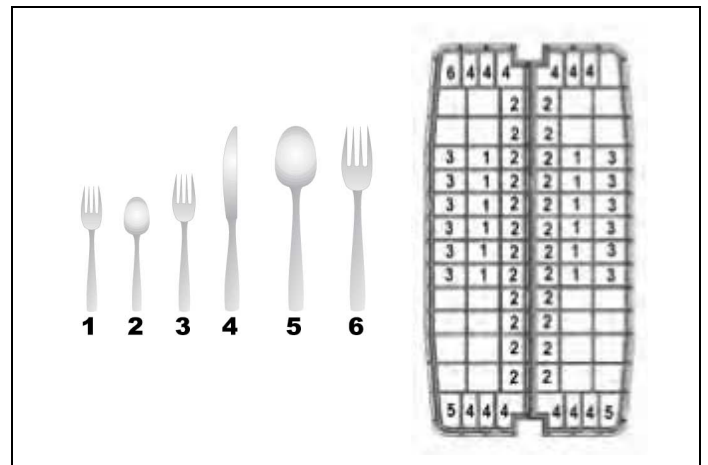


Fig. 37

- 1) Tenedores para ensalada
- 2) Cucharillas
- 3) Tenedores de cena
- 4) Cuchillos
- 5) Cucharas de servir
- 6) Tenedores para servir

Patrón de carga de la cesta de cubiertos para 12 cubiertos individuales.



ADVERTENCIA

Los cubiertos afilados pueden cambiar de posición durante el ciclo de lavado, y además pueden quedar mojados y resbaladizos. Tenga cuidado al retirarlos para evitar lesiones.



NOTA

Por lo tanto, los objetos pequeños deben colocarse en el portacubiertos o en la cesta para cubiertos (según el modelo), ya que pueden caerse de las cestas a través de los soportes.

CARGAS INCORRECTAS

Una carga incorrecta puede provocar un mal rendimiento de lavado y secado. Siga las recomendaciones del fabricante para obtener buenos resultados.

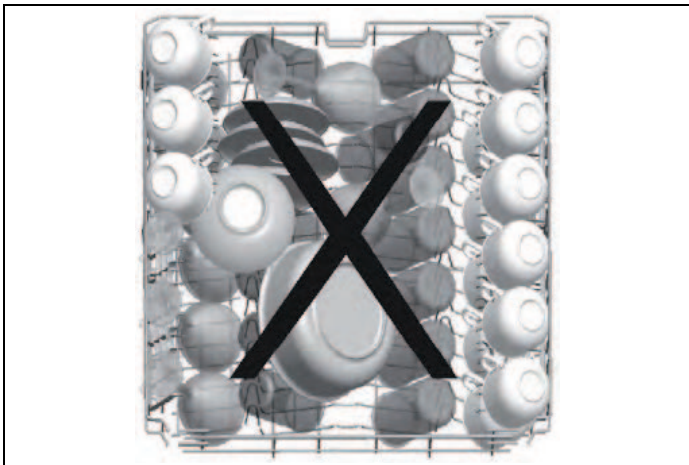


Fig. 38

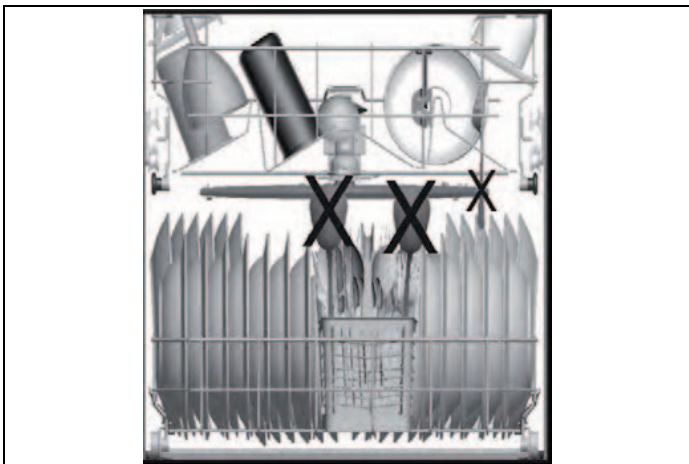


Fig. 39



Fig. 40

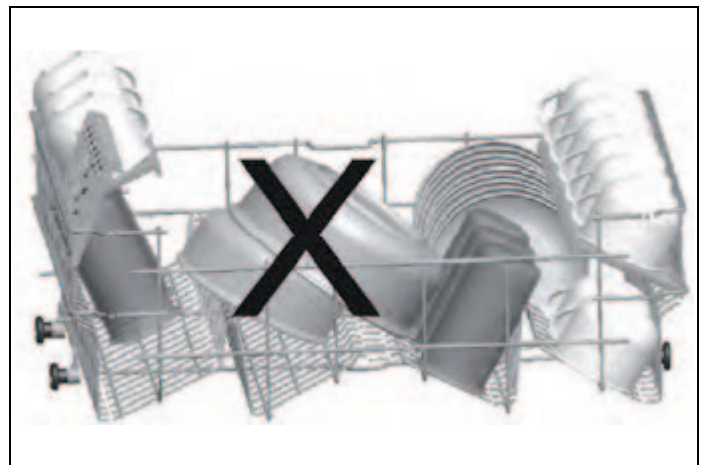


Fig. 41

¿QUÉ NO DEBE LAVAR EN SU LAVAVAJILLAS?

- Todos los objetos que se introduzcan en el lavavajillas deben ser aptos para lavavajillas.
- Solo los plásticos con la etiqueta «apto para lavavajillas» o equivalente pueden introducirse en los lavavajillas. Los plásticos pueden perder su forma o color. Consulte las recomendaciones del fabricante.
- Cualquier vajilla hecha de madera, o que incluya piezas de madera, no es apta para lavar en lavavajillas. Las altas temperaturas pueden hacer que la madera se hinche o se agriete.
- Los objetos de plata que no lleven la etiqueta «apto para lavavajillas» no deben lavarse en esta máquina, ya que las altas temperaturas y el detergente pueden dañar la plata. Consulte las recomendaciones del fabricante.
- Los objetos de plata «aptos para lavavajillas» y los de acero inoxidable no deben entrar en contacto, ya que la plata puede decolorarse.
- La porcelana y la cristalería con adornos y los utensilios pintados a mano pueden perder su color y sus dibujos debido a las altas temperaturas. Los objetos no decorados son aptos para el lavavajillas. Consulte las recomendaciones del fabricante.

- El aluminio puede oscurecerse en el lavavajillas debido al calor, al detergente utilizado o incluso simplemente a ciertos minerales del agua.
- No lave las esponjas ni los paños de cocina en el lavavajillas.
- No lave materiales como el acrílico, el cobre, el latón, el estaño, el hierro o el bronce.
- Las ollas sin revestimiento antiadherente pueden limpiarse sin problemas en el lavavajillas, pero algunas ollas y sartenes antiadherentes pueden perder su revestimiento y, con ello, su capacidad antiadherente.
- Los platos o cubiertos pegados no son aptos para el lavado a máquina, ya que los adhesivos que unen materiales como el plástico, la madera, el hueso, el acero, el cobre, el estaño, etc., pueden aflojarse.

Recuerde, si tiene alguna pregunta o duda sobre los objetos que puede lavar en el lavavajillas, siga las instrucciones de los fabricantes de los objetos o lávelos a mano.



ADVERTENCIA

En caso de duda, lave a mano o siga las instrucciones del fabricante de los utensilios, platos, vasos u ollas. No lave objetos sucios con ceniza de cigarrillo, cera de velas, barnices, pinturas o productos químicos ya que pueden dañar su lavavajillas.



ADVERTENCIA

Vacíe primero el estante inferior y después el superior. Esto evitará que el agua gotee del estante superior sobre los platos del estante inferior.



ADVERTENCIA

En general, no es aconsejable abrir la puerta mientras el lavavajillas está en funcionamiento. Si se abre la puerta, un dispositivo de seguridad detiene el lavavajillas. Debe tener cuidado al abrir la puerta inmediatamente después del ciclo, ya que puede salir vapor.

ESTANTES

PÚAS PLEGABLES DE LA CESTA SUPERIOR Y ESTANTES

Los estantes están diseñados para aumentar la capacidad de la cesta superior. Sobre ellos puede colocar tazas y vasos. Gracias al carácter ajustable de estos estantes, podrá colocar bajo ellos vasos de diferentes tamaños.

Los estantes ajustables en altura montados en la cesta permiten colocar los estantes para tazas y vasos de cristal en 2 posiciones diferentes.

También puede colocar cuchillos largos, tenedores y cucharas en estos estantes, en posición horizontal, para que no bloqueen el movimiento de los brazos aspersores.

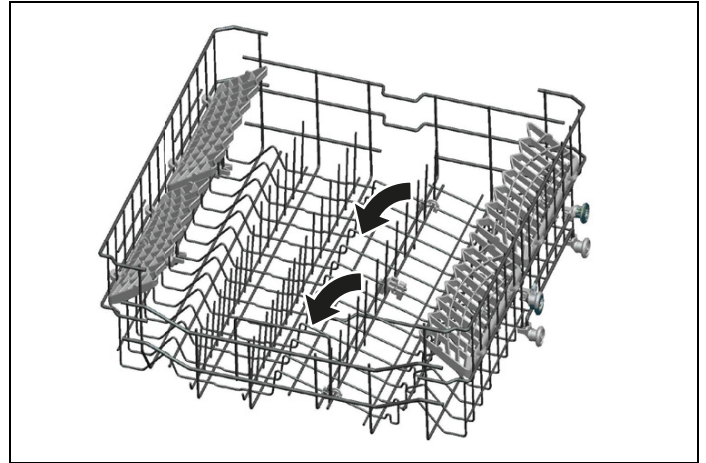


Fig. 42

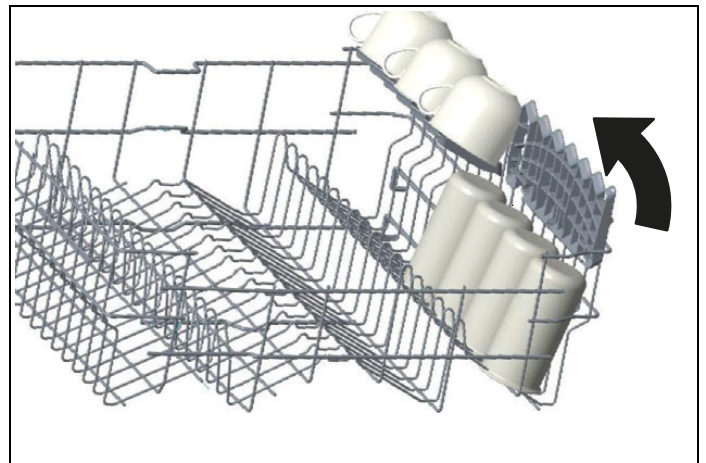


Fig. 43

El alambre horizontal situado en la cesta superior le permite colocar sus platos y cuencos donde desee. También puede lavar utensilios de cocina como ollas o sartenes cerrando las púas plegables.



NOTA

Llevar los alambres a la posición horizontal sujetándolos por los extremos puede hacer que se doblen. Por lo tanto, es una buena idea llevar los alambres del centro a la posición horizontal o vertical sujetándolos por su longitud y empujándolos.



NOTA

Asegúrese de que ambas palancas se enganchan en la misma posición de altura.

PÚAS PLEGABLES DE LA CESTA INFERIOR

Las púas plegables constan de cuatro piezas situadas en la cesta inferior de su máquina, y están diseñadas para facilitar la colocación de objetos grandes como ollas, sartenes, etc. Si es necesario, cada parte se puede plegar por separado, o se pueden plegar todas y obtener espacios más grandes. Puede utilizar las púas plegables levantándolas hacia arriba o doblándolas.

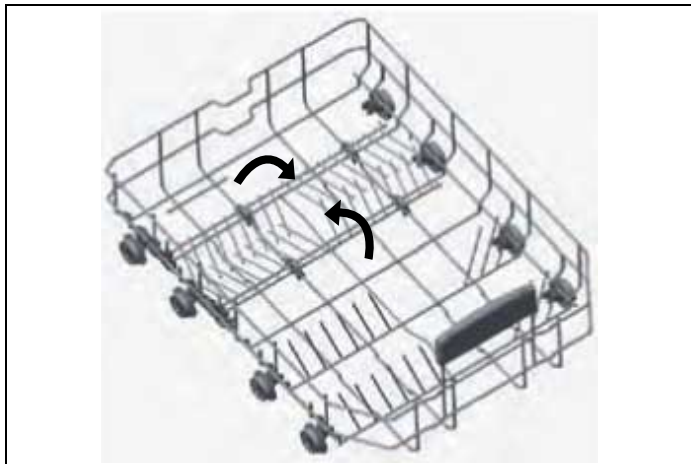


Fig. 44

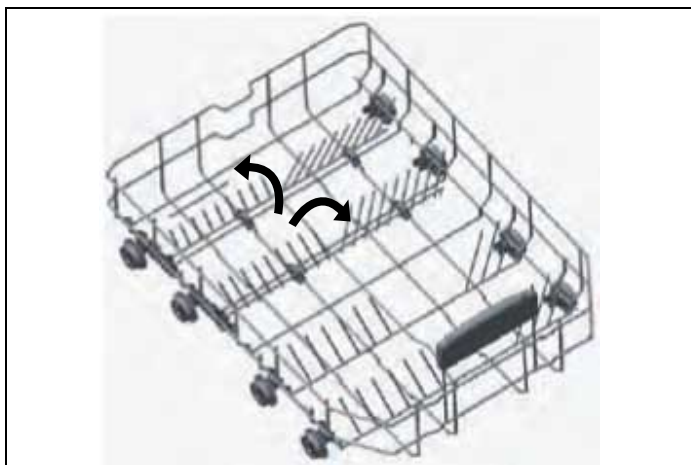


Fig. 45

CESTA PARA CUBIERTOS (SEGÚN MODELO)

- La cesta para cubiertos está diseñada para lavar cuchillos, tenedores, cucharas, etc.
- Según el modelo adquirido, puede tener una cesta deslizante o una estándar.

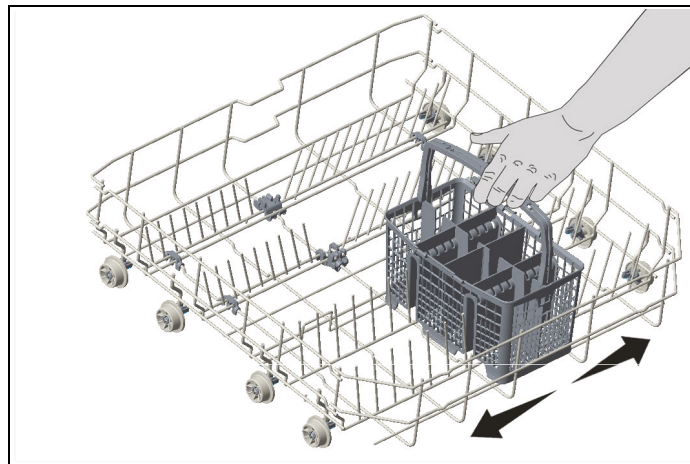


Fig. 46

1) Regulación de altura con carga (según modelo)

La cesta superior incluye un mecanismo que permite ajustar la altura de la cesta hacia arriba (1) o hacia abajo (2) sin tener que desmontarla. Sujete la cesta por ambos lados y tire de ella hacia arriba o empujela hacia abajo, asegurándose de que ambos lados de la cesta superior estén en la misma posición.

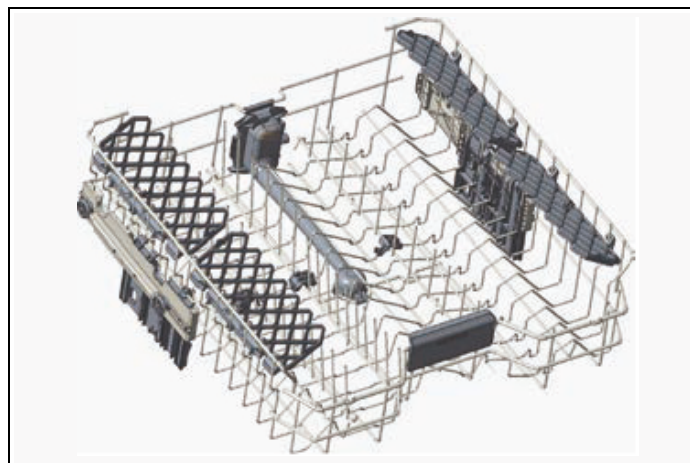


Fig. 47



Fig. 48

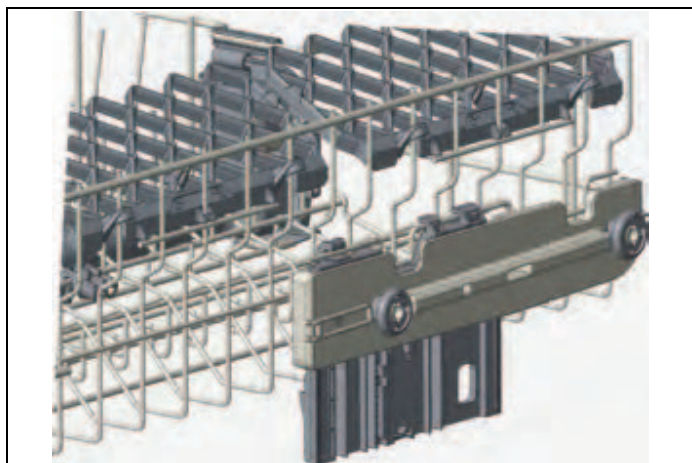


Fig. 49

2) Regulación de altura sin carga (según modelo)

En algunos modelos, el ajuste de altura del estante superior puede modificarse mediante las ruedas presentes en dos niveles de altura.



ATENCIÓN

Asegúrese de que el estante está vacío. Cambiar el ajuste de altura mientras el estante contiene vajilla podría hacer que el contenido se desprendiera, causando lesiones personales o daños a la vajilla.

- Suelte los pestillos de las guías derecha e izquierda del estante superior girándolos hacia fuera, A.

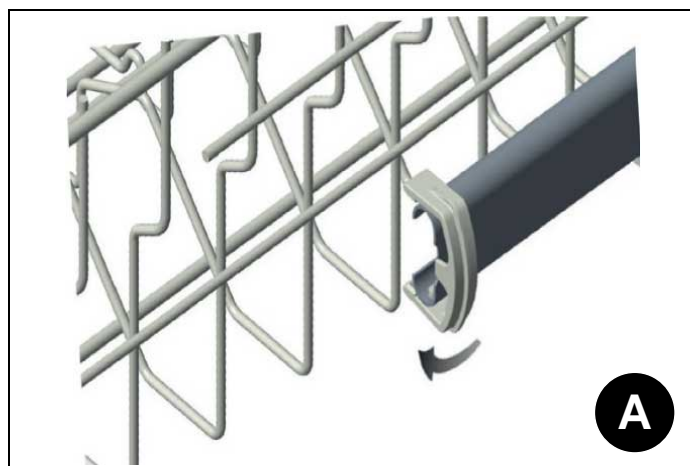


Fig. 50

- Saque completamente el estante, B.

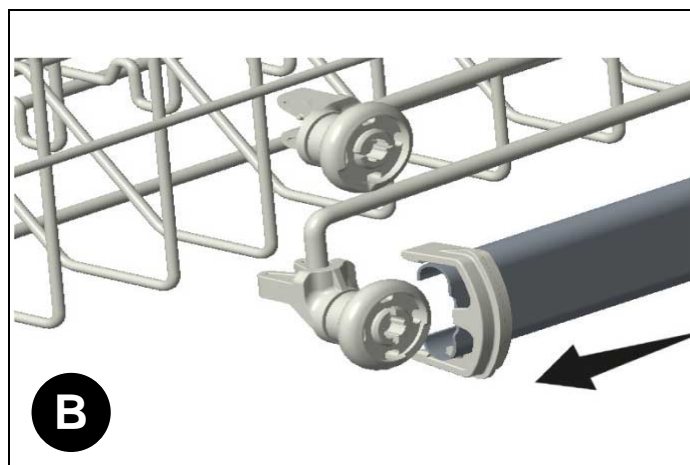


Fig. 51

- Vuelva a colocar el estante en los raíles a la altura deseada, C.

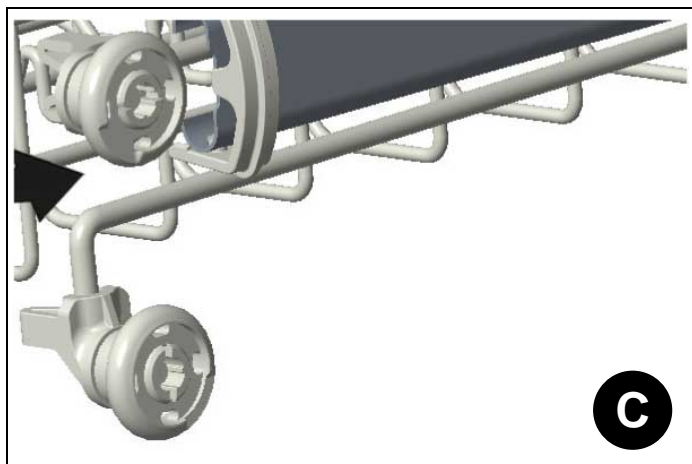


Fig. 52

- Vuelva a colocar los pestillos en la posición correcta.

PORTABOTELLAS (SEGÚN MODELO)

El portabotellas le permite lavar recipientes abiertos grandes, como cuencos, sartenes o tupperwares, así como objetos altos, como jarras. El portabotellas puede extraerse en la dirección de la flecha, como se muestra a continuación.

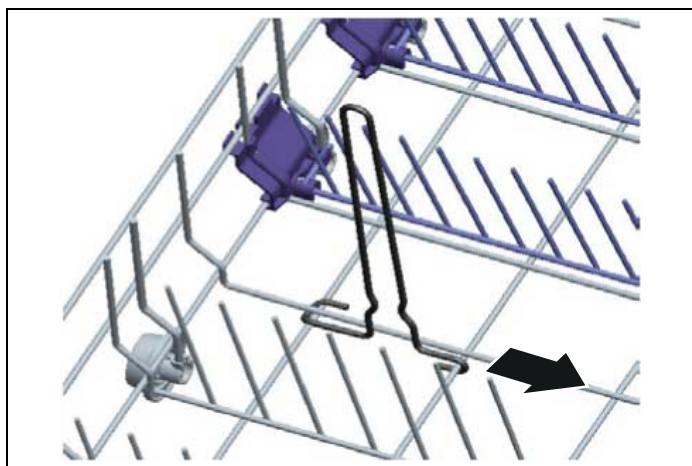


Fig. 53

PORTABANDEJAS (SEGÚN MODELO)

El portabandejas le permite colocar fácilmente bandejas y ollas de varios tamaños en la cesta inferior y proporcionar el mejor rendimiento de lavado.

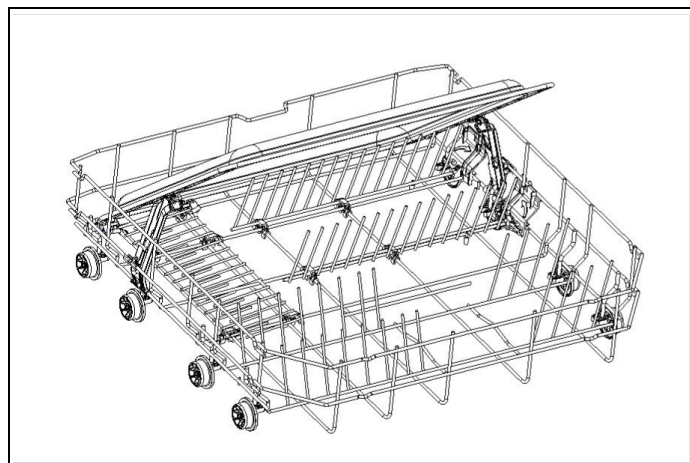


Fig. 54

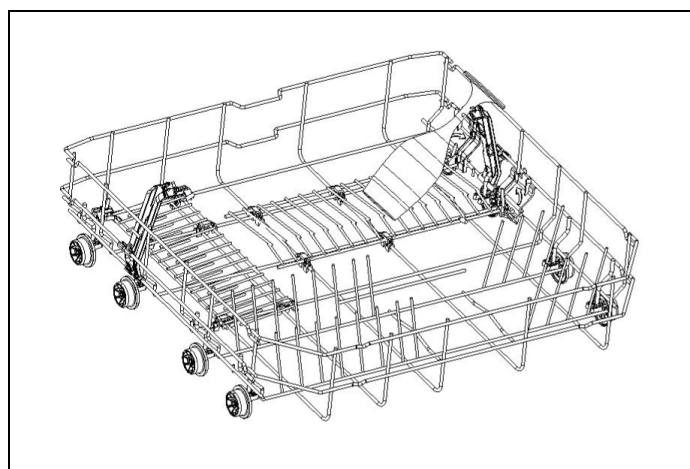


Fig. 55

ZONA DE LAVADO DIRECTO (SEGÚN MODELO)

Esta función se utiliza para lavar vasos, botellas y similares dirigiendo el agua hacia arriba cuando el electrodoméstico de la cesta superior que se muestra en la figura está en posición vertical. Cuando el electrodoméstico está en posición horizontal, el agua baja, lo que permite lavar la cesta inferior.

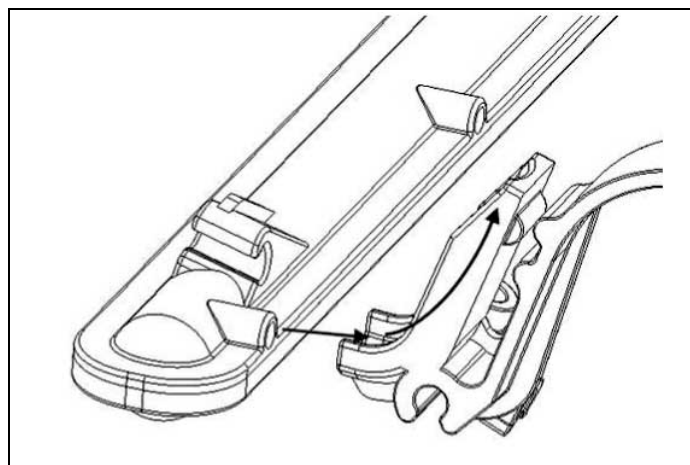


Fig. 56

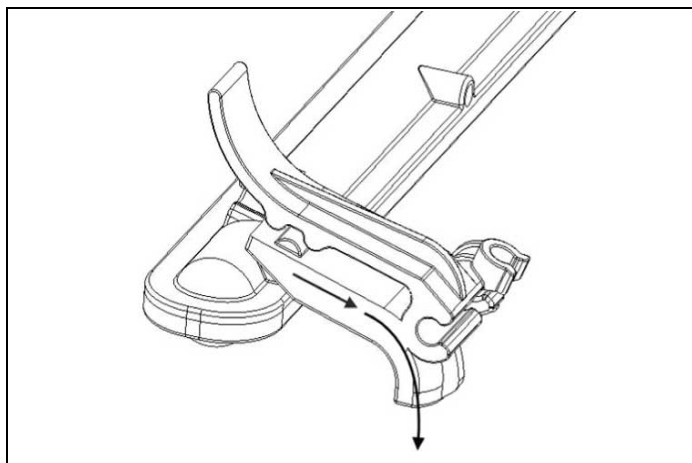


Fig. 57



Fig. 60

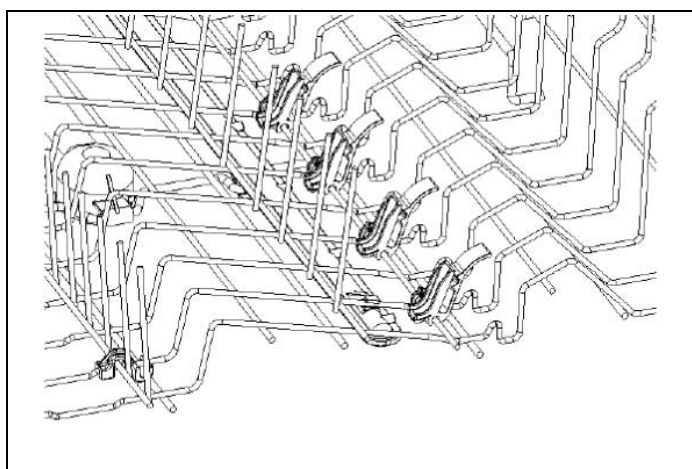


Fig. 58



Fig. 61

PORTAVASOS (SEGÚN MODELO)

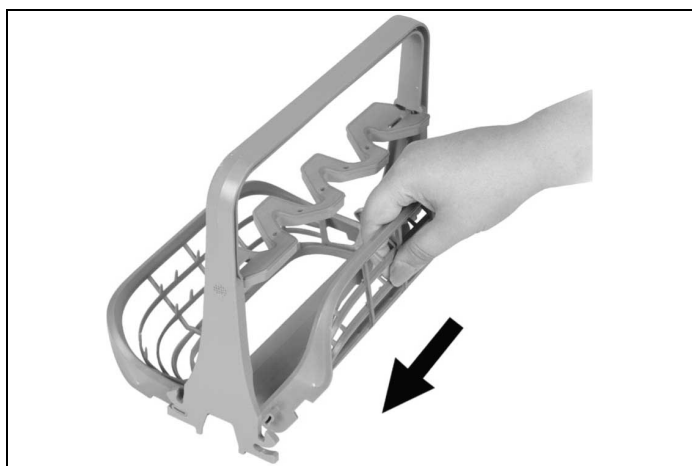


Fig. 59

Despliegue el portavasos antes de colocarlo en el estante inferior del lavavajillas.

Los laterales del portavasos pueden plegarse para que el accesorio resulte más compacto y pueda guardarse cuando no se necesite.

OPERACIÓN

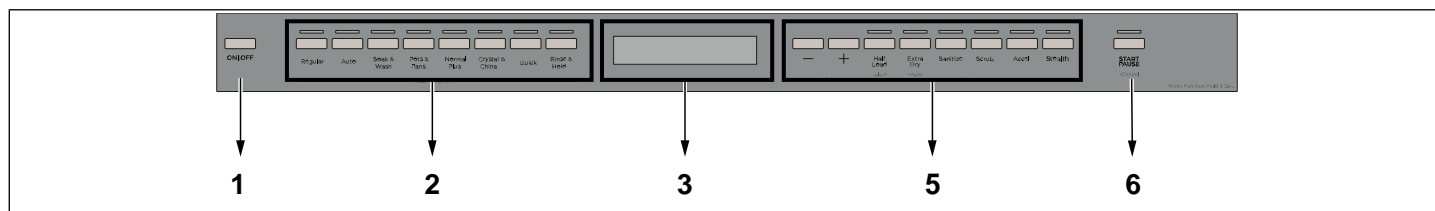


Fig. 62

- 1) Botón de encendido/apagado
- 2) Botones de ciclo
- 3) Pantalla
- 4) Inicio diferido
- 5) Botones de opciones
- 6) Botón Inicio/Pausa



NOTA

Para incorporar una opción al ciclo de lavado, seleccione el botón de la opción deseada antes de pulsar Inicio. Véase Opciones de ciclos.

Cambiar un ciclo:

Para cambiar el ciclo de lavado mientras el lavavajillas está en marcha, abra la puerta y pulse el botón Inicio/Pausa. Seleccione un nuevo ciclo y pulse el botón Inicio/Pausa. Tras cerrar la puerta antes de que transcurran 4 segundos, el nuevo ciclo seleccionado reanudará el curso del anterior.

Cancelar un ciclo:

Para cancelar un programa mientras el lavavajillas está en funcionamiento, abra la puerta y mantenga pulsado el botón Inicio/Pausa durante 3 segundos. "0:01" aparecerá en la pantalla. Pulse el botón Inicio/Pausa y cierre la puerta antes de 4 segundos. El proceso de descarga del agua se iniciará y tardará 30 segundos en completarse. A continuación sonará un zumbador 5 veces.

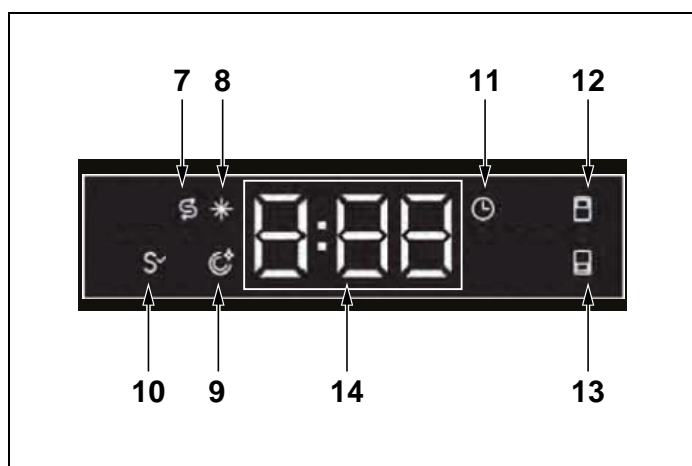


Fig. 63

- 7) Indicador de sales (según el modelo)
- 8) Indicador de abrillantador
- 9) Indicador de paso final
- 10) Indicador de higienizado
- 11) Indicador de retardo
- 12) Indicador de media carga superior
- 13) Indicador de media carga inferior
- 14) Indicador de tiempo de programa

CICLOS DE LAVADO

Ajustar un ciclo de lavado:

- 1) Pulse el botón del ciclo de lavado deseado. El tiempo del ciclo aparecerá en la pantalla alternado con el número de ciclo.
- 2) Pulse Inicio/Pausa y cierre la puerta antes de 4 segundos. El ciclo comenzará justo después.

Apagar el lavavajillas:

"0" aparecerá en la pantalla cuando el programa seleccionado haya finalizado. El zumbador también sonará 5 veces. A continuación, puede apagar la máquina con el botón de encendido/apagado. Desconecte el enchufe y cierre el grifo del agua.



NOTA

Si se abre la puerta de la máquina o se corta la corriente mientras se está realizando un ciclo, el programa se reanudará cuando se cierre la puerta o vuelva la corriente.



NOTA

Si se corta la corriente durante el proceso de secado, el programa finalizará. Su máquina estará lista para una nueva selección de programa.

CICLOS DE LAVADO

CICLO	DESCRIPCIÓN	TIEMPO DE CICLO	USO DE AGUA	DETERGENTE	OPCIONES
Normal	Para vajillas de suciedad normal en el uso cotidiano típico. El tiempo de lavado se ajusta automáticamente en función del grado de suciedad de la vajilla. Menor consumo de energía y agua.	2:02 a 2:25	3,0 galones	1 3/4 cucharadas (25 ml)	Media carga, Higienizar, Acelerar, Extra seco, Frotado, Retraso, Silencioso
Auto	Para todos los niveles de suciedad. Se ajusta automáticamente al tiempo de lavado, la temperatura del agua y el consumo de agua.	1:50 a 2:35	3,7 a 6,2 galones	1 3/4 cucharadas (25 ml)	Media carga, Higienizar, Acelerar, Extra seco, Frotado, Retraso, Silencioso
Ollas y sartenes	Para ollas, sartenes y cazuelas muy sucias. Aumenta el tiempo de lavado, la temperatura y el consumo de agua.	02:10	4,8 galones	1 3/4 cucharadas (25 ml)	Media carga, Higienizar, Acelerar, Extra seco, Frotado, Retraso, Silencioso
Cristal y porcelana	Para platos delicados sensibles a la temperatura y poco sucios.	01:30	3,7 galones	1 cucharada (15 ml)	Media carga, Acelerar, Extra seco, Retardo, Silencioso
Rápido	Para platos poco sucios. Reduce el tiempo total de lavado.	:50	3,6 galones	1 3/4 cucharadas (25 ml)	Media carga, Higienizar, Extra seco, Frotado, Retardo
Aclarar y mantener	Para todos los niveles de suciedad. Aclara y retiene la vajilla para un futuro ciclo de lavado.	:15	1,2 galones	No	Media carga, Retardo
Remojar y lavar**	Para los platos más sucios que no se lavan enseguida. Aumenta significativamente el tiempo de lavado e incrementa ligeramente la temperatura y el consumo de agua.	02:45	5,9 galones	1 3/4 cucharadas (25 ml)	Media carga, Higienizar, Acelerar, Extra seco, Frotado, Retraso, Silencioso
Normal Plus**	Para la vajilla diaria de suciedad normal.	01:57	4,7 galones	1 3/4 cucharadas (25 ml)	Media carga, Higienizar, Acelerar, Extra seco, Frotado, Retraso, Silencioso

**Según el modelo.



NOTA

Puede ser necesario más detergente, dependiendo del grado de suciedad y de la dureza del agua.

La cápsula de detergente puede contener un máximo de 2 3/4 cucharadas (40 ml) de detergente.

*Detergente en polvo.

DIAGRAMA DE FLUJO DE LOS CICLOS DE LAVADO

ACLARAR Y MANTENER	PRELAVADO	x	x	x	x	x
Cristal y porcelana	Prelavado	Lavado principal 113°F (45°C)	x	x	Aclarado caliente en seco 140°F (60°C)	Secado
Normal	Prelavado 95°F (35°C)	Lavado principal 131°F (55°C)	Aclarado	x	Aclarado caliente en seco 149°F (65°C)	Secado
Normal Plus	Prelavado	Lavado principal 140°F (60°C)	Aclarado	x	Aclarado caliente en seco 149°F (65°C)	Secado
Rápido	x	Lavado principal 122°F (50°C)	Aclarado	x	Aclarado caliente en seco 149°F (65°C)	x
Ollas y sartenes	Prelavado 113°F (45°C)	Lavado principal 149°F (65°C)	Aclarado	x	Aclarado caliente en seco (68°C)	Secado
Remojar y lavar	Prelavado 113°F (45°C)	Lavado principal 149°F (65°C)	Aclarado	Aclarado intermedio 140°F (60°C)	Aclarado caliente en seco 155°F (68°C)	Secado
Auto	Prelavado 104°F (40°C)	Lavado principal 149°F (65°C)	Aclarado	Aclarado intermedio	Aclarado caliente en seco 155°F (68°C)	Secado

OPCIONES DE LAVADO

OPCIÓN	DESCRIPCIÓN	ACTIVACIÓN
Media carga	Dirige las funciones de lavado al estante superior, al inferior o a ambos. Acorta el tiempo de lavado del ciclo seleccionado y reduce el consumo de energía y agua.	Pulse el botón Media carga 1 vez para activar la media carga superior, 2 veces para activar la media carga inferior o 3 veces para activar la opción de media carga tanto en el estante superior como inferior. El indicador correspondiente también aparecerá en la pantalla. Pulse el botón «Inicio/Pausa» y cierre la puerta antes de 4 segundos para activar la opción.
Higienizar ¹	Garantiza la máxima higiene con el aumento de la temperatura del agua de aclarado para eliminar las bacterias hasta en un 99,9%.	Pulse el botón Higienizar hasta que se ilumine la luz LED. El indicador correspondiente también aparecerá en la pantalla. Pulse el botón «Inicio/Pausa» y cierre la puerta antes de 4 segundos para activar la opción.
Frotado	Aumenta el tiempo de lavado y la temperatura del agua para alcanzar las condiciones óptimas de lavado y disolver perfectamente el detergente.	Pulse el botón Frotado hasta que se ilumine la luz LED. El indicador correspondiente también aparecerá en la pantalla. Pulse el botón «Inicio/Pausa» y cierre la puerta antes de 4 segundos para activar la opción.
Extra seco	Añade pasos adicionales de calentamiento y secado al ciclo de lavado seleccionado para obtener una vajilla perfectamente seca. Aumenta la temperatura del agua de aclarado y prolonga el tiempo de secado.	Pulse el botón Extra seco hasta que se ilumine la luz LED. El indicador correspondiente también aparecerá en la pantalla. Pulse el botón «Inicio/Pausa» y cierre la puerta antes de 4 segundos para activar la opción.

OPCIÓN	DESCRIPCIÓN	ACTIVACIÓN
Retardo	Retrasa el inicio del ciclo de lavado seleccionado entre 1 y 24 horas en incrementos de 1 hora.	Pulse el botón «+» para retrasar 1 hora la hora de inicio del ciclo. La pantalla mostrará alternativamente la duración del ciclo y el tiempo de retardo programado durante 2 segundos. Siga pulsando «+» hasta alcanzar el tiempo de retardo deseado. Pulse el botón «-» para disminuir el tiempo de retardo. El indicador correspondiente también aparecerá en la pantalla. Pulse el botón «Inicio/Pausa» y cierre la puerta antes de 4 segundos para activar la opción.
Acelerar ^{2*}	Disminuye la duración del ciclo con un menor consumo de agua.	Pulse el botón Acelerar hasta que se ilumine la luz LED. El indicador correspondiente también aparecerá en la pantalla. Pulse el botón «Inicio/Pausa» y cierre la puerta antes de 4 segundos para activar la opción.
Silencioso [*]	Reduce el índice sonoro ² dB aumentando el tiempo de lavado del ciclo seleccionado.	Pulse el botón Silencioso hasta que se ilumine la luz LED. El indicador correspondiente también aparecerá en la pantalla. Pulse el botón «Inicio/Pausa» y cierre la puerta antes de 4 segundos para activar la opción.

*Según el modelo

1 Higieniza según NSF/ANSI norma 184 para lavavajillas residenciales.

2 La reducción de la duración del ciclo repercute en el rendimiento del secado.

AJUSTES DE MENÚ

Pulse el botón Extra seco (6) durante 3 segundos para entrar en el menú. En la pantalla aparecerá el ajuste de dureza del agua (por ejemplo, SL1). Pulse los botones de retardo (4) para navegar por el menú. A continuación, pulse el botón Media carga (5) para entrar en los niveles del ajuste que desee modificar en el menú. Ahora, la pantalla (3) empezará a parpadear, lo que significa que este ajuste puede cambiarse pulsando los botones de retardo (4). Ajuste el nuevo nivel con los botones de retardo (4) y pulse el botón Media carga (5) para guardar el nuevo nivel. Después, la pantalla (3) se iluminará de forma fija, lo que significa que este nivel de ajuste se ha guardado. Puede cambiar otro ajuste con estos pasos o salir del menú pulsando el botón Extra seco (6) durante 3 segundos o apagando/encendiendo.

No	AJUSTE	OPCIONES	DESCRIPCIÓN
1	Dureza del agua	SL1	Ajuste la dureza del agua.
		SL2	
		SL3*	
		SL4	
		SL5	
		SL6	
2	Abrillantador	r:1	Ajuste la cantidad de abrillantador.
		r:2	
		r:3	
		r:4*	
		r:5	
3	Control de sonido del zumbador	b:0	Ajuste el nivel de sonido del zumbador.
		b:1	
		b:2	
		b:3*	
4	Iniciar programa	LP0*	Establezca un programa por defecto para cuando se encienda el electrodoméstico.
		LP1	
5	Modo de ahorro de energía	SP0	Establezca el modo de ahorro de energía.
		SP1*	
		SP2	

No	AJUSTE	OPCIONES	DESCRIPCIÓN
6	Ajustes de fábrica	FS0*	Restaurar los ajustes modificados a los valores de fábrica.
		FS1	

*Ajuste por defecto

1) Dureza del agua

Para cambiar el ajuste de dureza del agua, consulte el párrafo *TABLA DE DUREZA DEL AGUA*.

2) Abrillantador

Para cambiar el ajuste del abrillantador, consulte el párrafo *USO DE ABRILLANTADOR*.

3) Control de sonido del zumbador

Para cambiar el control de sonido del zumbador, consulte «Ajustes de menú». El nivel "b:3" es el nivel sonoro más alto. El nivel "b:0" significa que todos los sonidos están desactivados.

4) Iniciar programa

Para cambiar la selección del programa inicial, consulte «Ajustes de menú». En el nivel «LP0», la máquina se enciende con el programa Eco. En el nivel «LP1», la máquina se enciende con el último programa y opción seleccionados.

5) Modo de ahorro de energía

Para cambiar el ajuste del modo de ahorro de energía, consulte «Ajustes de menú». En el nivel «SP0», las luces interiores (si están disponibles) estarán siempre apagadas, la pantalla se apagará después de 4 minutos y la máquina se apagará después de 15 minutos sin actividad para ahorrar energía. En el nivel «SP1», las luces interiores se apagarán después de 4 minutos cuando se abra la puerta, la pantalla se apagará después de 4 minutos y la máquina se apagará después de 15 minutos sin actividad para ahorrar energía. En el nivel «SP2», cuando la máquina está en la posición de apagado, las luces interiores se apagarán después de 4 minutos cuando se abra la puerta. Cuando la máquina está en la posición ON, las luces interiores están encendidas mientras la puerta permanezca abierta y la máquina no se apagará si no es pulsando el botón de encendido/apagado.

6) Ajustes de fábrica

Para cambiar los ajustes de fábrica, consulte «Ajustes de menú». Si cambia el nivel a «FS1» en los ajustes de fábrica, todos los ajustes vuelven a la configuración predeterminada.

LUCES

Su lavavajillas está equipado con una luz LED interna y/o una luz de estado de proyección sobre el suelo.

Esta última está situada en la parte inferior del lavavajillas y proyecta luz sobre el suelo para indicar el estado actual de la máquina durante un ciclo.

INDICADOR LED	ESTADO DE LA MÁQUINA
Rojo, sólido	La máquina está ejecutando un programa.
Rojo, intermitente	Se cancela un programa.
Rojo, parpadea rápidamente	La máquina tiene un fallo. Consulte la sección «Avisos automáticos de fallo y qué hacer».
Verde, sólido	Se ha terminado un programa.

DISPENSADOR DE DETERGENTE Y ABRILLANTADOR



ADVERTENCIA

Utilice únicamente detergentes diseñados específicamente para lavavajillas domésticos.

Puede encontrar en el mercado detergentes en polvo, gel y pastillas diseñados para los lavavajillas domésticos. Añada el detergente adecuado para el programa seleccionado para garantizar el mejor rendimiento. Utilice menos detergente si la vajilla está poco sucia. Utilizar un exceso de detergente puede dejar una película en la vajilla y en el lavavajillas, lo que provocará un lavado deficiente.



NOTA

La cantidad de detergente necesaria depende del ciclo, el tamaño de la carga y el nivel de suciedad de la vajilla. Demasiado detergente en agua blanda puede provocar la corrosión del cristal y no se disuelve en el agua.



ADVERTENCIA

No utilice demasiado detergente si su agua es blanda.



ADVERTENCIA

Conserve los detergentes en un lugar fresco y seco, fuera del alcance de los niños. Para más información, consulte las instrucciones del fabricante del detergente.



ADVERTENCIA

Las pastillas de detergente no se disuelven completamente con programas cortos. Para evitar que queden restos de detergente en la vajilla, recomendamos utilizar pastillas con programas largos.



ADVERTENCIA

No utilice detergente en el ciclo de aclarado (según el modelo). Si no conoce la dureza de su agua, utilice 15 ml / 3 cucharaditas de detergente. Aumente la cantidad de detergente si observa marcas de agua blancas, especialmente en la superficie de la cristalería.

Si necesita más información sobre el detergente que pretende utilizar, póngase en contacto directamente con los fabricantes del detergente. Compruebe que el dispensador de detergente está vacío tras la finalización de cada programa de lavado.

LLENADO DEL DETERGENTE



NOTA

El dispensador debe rellenarse justo antes del inicio de cada programa.

- 1) Empuje el pestillo para abrir el recipiente de detergente como se muestra en la imagen (Fig. A)

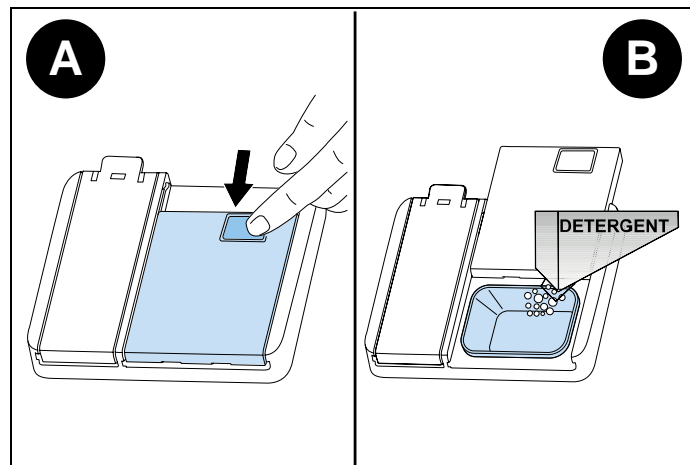


Fig. 64

- 2) Vierta/ponga el detergente en el dispensador (Fig. B)
- 3) Cierre la tapa y presiónela hasta que encaje en su sitio.



NOTA

El dispensador debe rellenarse justo antes del inicio de cada programa. Si la vajilla está muy sucia, aumente la dosis de detergente.



NOTA

La solapa siempre queda abierta al final de un programa.



ADVERTENCIA

Siga las instrucciones del envase del detergente cuando utilice detergente líquido, detergente en polvo concentrado o detergente en pastillas.



ADVERTENCIA

Las cantidades pueden variar si utiliza detergente líquido o en polvo concentrado. Los detergentes en pastillas deben colocarse en el recipiente del detergente.

USO DE DETERGENTES COMBINADOS

Los detergentes combinados deben utilizarse según las instrucciones del fabricante.

No ponga nunca detergentes combinados dentro de la cuba del lavavajillas ni en la cesta de los cubiertos.

Ponga siempre las pastillas en el dispensador de detergente.

Los detergentes combinados contienen no solo el detergente, sino también abrillantadores, sustancias sustitutivas de sales y componentes adicionales en función de la combinación.

Si deja de utilizar detergentes combinados, asegúrese de que la dureza del agua y los ajustes del abrillantador están regulados al nivel correcto.

Si desea obtener mejores resultados utilizando detergentes combinados, añada sales y abrillantador en su máquina y regule la dureza del agua y el abrillantador en la posición más baja.



ATENCIÓN

La solubilidad de los detergentes en pastillas fabricados por distintas empresas puede variar en función de la temperatura y el tiempo. Por lo tanto, no se recomienda utilizar este tipo de detergentes en programas cortos. Utilice detergentes en polvo en este tipo de programas.



ADVERTENCIA

Si surgiera algún problema que no haya encontrado antes, con el uso de este tipo de detergentes, póngase en contacto directamente con los fabricantes del detergente.

USO DE ABRILLANTADOR

El abrillantador ayuda a secar la vajilla sin rayas ni manchas. El abrillantador es necesario para que los utensilios y los vasos transparentes no se manchen y se libera automáticamente durante la fase de aclarado en caliente.

Si la dosis de abrillantador es demasiado baja, quedarán manchas blancas en vasos y platos. Si la dosis de abrillantador es demasiado alta, quedarán manchas azul claro en vasos y platos.



ATENCIÓN

Utilice solamente abrillantadores destinados a lavavajillas domésticos.

Llenar el dispensador de abrillantador con detergente dañará el dispensador.



NOTA

Cuando se enciende el indicador de abrillantador, el dispensador de abrillantador contiene suficiente abrillantador solo para 2 o 3 programas. Si utiliza detergentes en pastillas, no necesitará abrillantador.

LLENADO DEL ABRILLANTADOR Y PUESTA EN MARCHA

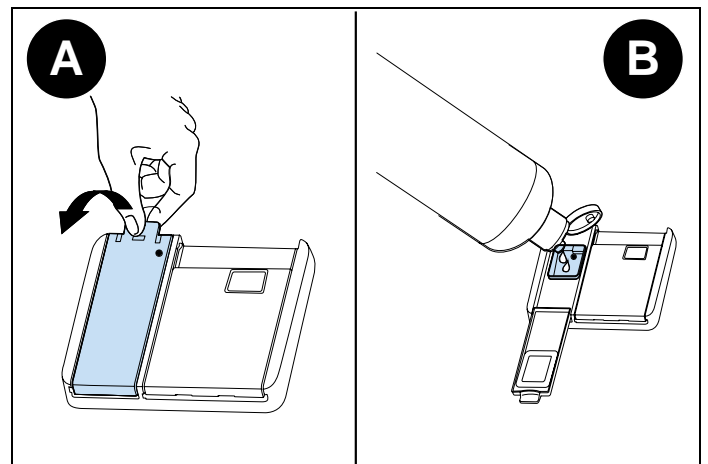


Fig. 65

- 1) Para llenar el compartimento del abrillantador, abra la tapa del compartimento (Fig.A)
- 2) Llene el compartimento con abrillantador hasta el nivel MAX y cierre la tapa. Tenga cuidado de no llenar demasiado el compartimento del abrillantador y limpie cualquier derrame.
- 3) Cierre la tapa hasta que haga clic.

Para cambiar el nivel de abrillantador, siga los pasos que se indican a continuación:

- 1) Encienda la máquina y pulse el botón Extra seco durante 3 segundos para acceder a los ajustes del menú: en la pantalla aparecerá el nivel de dureza del agua (SL1 es el ajuste de fábrica)
- 2) Pulse el botón de retardo (+) para pasar al ajuste del abrillantador (r: 4 es el ajuste de fábrica)
- 3) A continuación, pulse el botón Media carga una vez y el nivel de abrillantador (por ejemplo, r: 4) empezará a parpadear
- 4) Cambie el nivel de abrillantador pulsando los botones de retardo
- 5) Pulse de nuevo el botón de Media carga para guardar el nivel deseado: el nuevo nivel seleccionado dejará de parpadear
- 6) Salga de los ajustes del menú pulsando el botón Extra seco durante 3 segundos o apague la máquina.

El ajuste de fábrica es "4".



NOTA

Si la vajilla no se seca correctamente o está manchada, aumente el nivel. Si se forman manchas azules en su vajilla, disminuya el nivel.

NIVEL	DOSIS DE ABRILLANTADOR	INDICADOR
1	No se dispensa abrillantador	r: 1 aparece en la pantalla.
2	Se dispensa 1 dosis	r: 2 aparece en la pantalla.
3	Se dispensan 2 dosis	r: 3 aparece en la pantalla.
4	Se dispensan 3 dosis	r: 4 aparece en la pantalla.
5	Se dispensan 4 dosis	r: 5 aparece en la pantalla.

DISPENSADOR DE SALES (PARA MODELOS CON DESCALCIFICADOR)

Compruebe el indicador de sales del panel de control para ver si hay suficiente sal ablandadora en el lavavajillas. El dispensador de sales debe rellenarse con sales siempre que aparezca el indicador de advertencia de sal en el panel de control de su máquina.

LLENADO DEL DISPENSADOR DE SALES DEL LAVAVAJILLAS



ADVERTENCIA

La sal de cocina y de mesa no se disuelven fácilmente en el agua, el uso de este tipo de sal dañará el sistema descalcificador de su máquina.



NOTA

La máquina solo puede utilizar sales especiales para lavavajillas para ablandar el agua. No utilice sales de grano pequeño o en polvo que sean fácilmente solubles. El uso de cualquier otro tipo de sal puede dañar su máquina. El fabricante no se hace responsable de los daños derivados del uso de un tipo incorrecto de sal.



ADVERTENCIA

El detergente para lavavajillas dañará el conjunto del ablandador. No llene el recipiente de sales con detergente para lavavajillas.



ADVERTENCIA

Si el agua de su zona es muy blanda y constantemente inferior a 5 gpg (9 ° f) no tendrá que añadir sal lavavajillas.

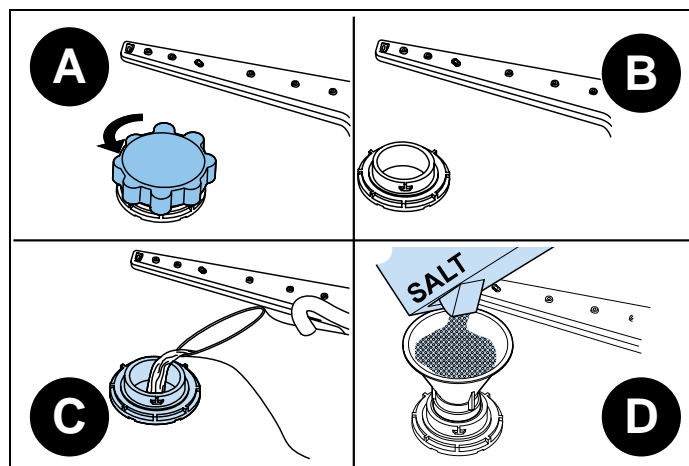


Fig. 66

- 1) Para llenar el lavavajillas de sales, retire primero la cesta inferior y abra después la tapa del compartimento de sales girándola en sentido antihorario. (Fig. A-B)
- 2) En primer lugar, llene el compartimento con 1 kg de sales y agua (Fig. C) hasta el nivel de rebosamiento. Si lo tiene disponible, utilice el embudo (Fig. D) suministrado, que facilitará el llenado.
- 3) Vuelva a colocar el tapón y ciérrelo.



ADVERTENCIA

Si las sales ablandadoras se han desbordado y no pone en marcha la máquina inmediatamente, ejecute un programa de lavado corto para proteger su máquina contra la corrosión.



NOTA

Llene el compartimento de sales con agua solo la primera vez que lo haga.



NOTA

Si se enciende la luz de advertencia de sal en el panel de control, vuelva a llenar el compartimento con sales.



ADVERTENCIA

Utilice sal ablandadora fabricada específicamente para su uso en lavavajillas.

INDICADOR DE RELLENADO DE SALES



ADVERTENCIA

Si la luz indicadora de sales se ilumina durante un programa, espere hasta el final del programa para llenar el dispensador de sales con sal para lavavajillas. Después de haber llenado el dispensador de sales, es posible que el indicador de rellenado siga encendido si la concentración de sal aún no ha alcanzado el nivel correcto. Se apagará cuando se alcance la concentración correcta.



NOTA

El indicador de rellenado de sales se apagará si ha programado el lavavajillas para una dureza del agua inferior a 5 gpg (9 °f).

LIMPIEZA Y CUIDADO



ADVERTENCIA

Antes de limpiar o realizar tareas de mantenimiento, apague el electrodoméstico, desconecte el enchufe de la red y cierre el grifo del agua. Su lavavajillas solo puede ser reparado por un servicio técnico autorizado.



ADVERTENCIA

Todas las superficies son susceptibles de rayarse. El contacto con productos de limpieza inadecuados puede alterar o decolorar todas las superficies.



ADVERTENCIA

Mantenga el suelo alrededor de su lavavajillas limpio y seco para evitar cualquier posible lesión. Le recomendamos que mantenga el lavavajillas limpio, vacío y con la puerta entreabierta para que circule el aire en caso de que se prolongue el tiempo sin utilizarlo.

La puerta del lavavajillas puede dañarse con limpiadores abrasivos, estropajos o paños abrasivos. Limpiar la máquina a intervalos regulares prolonga su vida útil.

El aceite y la cal pueden acumularse en la sección de lavado de la máquina. En caso de acumulación de este tipo, llene el compartimento del detergente sin cargar ningún plato en el electrodoméstico, seleccione un programa que funcione a alta temperatura y ponga en marcha el lavavajillas. Si no es suficiente, utilice agentes limpiadores especiales disponibles comercialmente.

Para limpiar cualquier residuo que se haya acumulado en las juntas de las puertas, límpielas regularmente con un paño húmedo.

Limpiar el electrodoméstico, el filtro y los brazos aspersores al menos una vez al mes. Desenchufe la máquina y cierre el grifo antes de limpiarla. No utilice materiales ásperos para limpiar su máquina. Límpiela con un material de limpieza suave y un paño húmedo.

MATERIAL

Acero inoxidable Utilice un detergente para acero no abrasivo y aplíquelo con un paño suave sin pelusa. Para resaltar el brillo natural, limpie ligeramente la superficie con un paño de microfibra humedecido en agua, seguido de una gamuza seca. Siga siempre el grano del acero inoxidable.

Panel de control Limpiar con un paño húmedo.

MATERIAL

Estantes para lavavajillas	Limpiar con un paño húmedo.
Interior	Limpiar el interior, el borde de la puerta y la junta de goma con un paño húmedo. Si es necesario, rocíe el paño con limpiador doméstico. No pulverice directamente sobre la puerta. Utilice un limpiador para lavavajillas (siga las instrucciones del envase) o coloque 1 taza de vinagre y 2 cucharadas de bicarbonato sódico en un recipiente en el estante central y ejecute un ciclo de Lavado intenso.
Brazos aspersores	Coloque bajo el grifo y utilice un clip o similar para retirar los residuos de los orificios.
Filtro	Límpielo con agua y jabón. Para la suciedad difícil de eliminar o los depósitos de cal, utilice un cepillo suave. No utilice cepillos de alambre ni estropajos.
Junta	Limpiar con un paño húmedo. Utilice agua jabonosa tibia y un cepillo de dientes. Si hay moho, rocíe con peróxido de hidrógeno al 3%.

BRAZOS ASPERSORES

Los brazos aspersores superior e inferior pueden desmontarse para su limpieza.

Compruebe periódicamente si los orificios de los brazos aspersores superior e inferior están obstruidos. Si observa algún atasco, retire los brazos aspersores y límpielos bajo el grifo.

Los impulsores deben limpiarse una vez a la semana para que el electrodoméstico funcione eficazmente.

Para desmontar el brazo aspersor inferior

- 1) Tire del brazo aspersor hacia arriba (A, B).
- 2) Coloque bajo el grifo y utilice un clip o similar para retirar los residuos de los orificios.

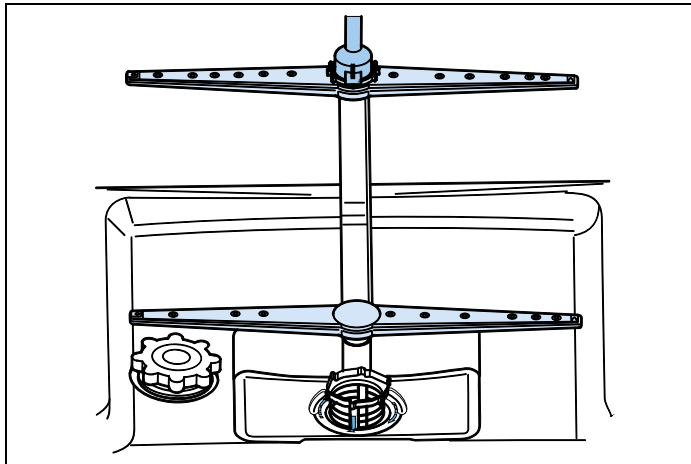


Fig. 67



Fig. 70

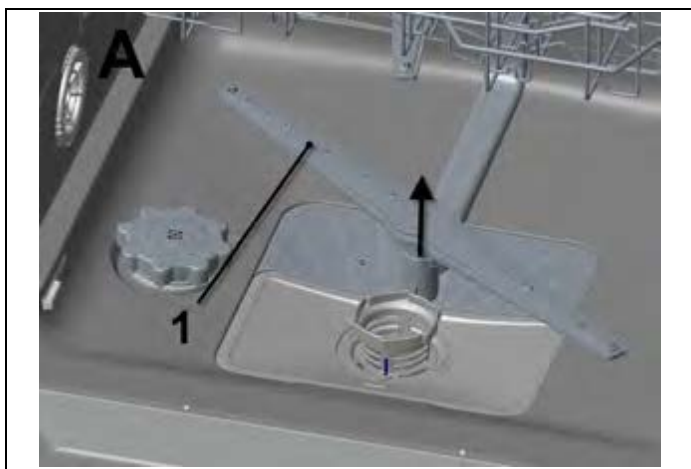


Fig. 68



Fig. 71

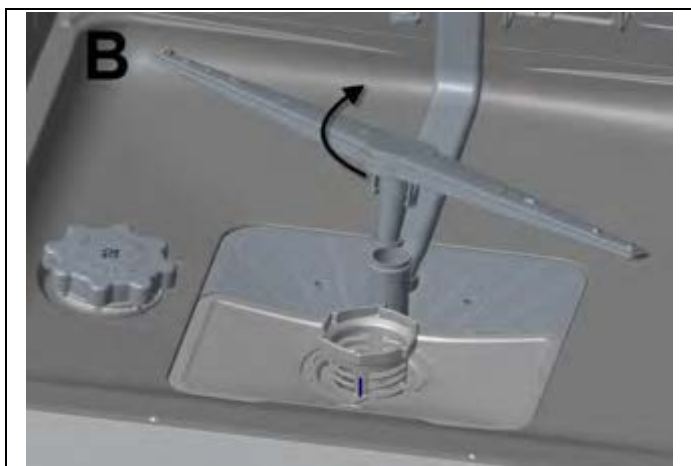


Fig. 69

Para desmontar el brazo aspersor superior

- 1) Gire su tuerca hacia la izquierda (A, B).
- 2) Coloque bajo el grifo y utilice un clip o similar para retirar los residuos de los orificios.

Asegúrese de apretar bien la tuerca cuando vuelva a instalar el brazo aspersor superior.

FILTRO

El filtro debe limpiarse con frecuencia. El uso intensivo puede requerir una limpieza más frecuente.

Compruebe periódicamente si quedan restos de alimentos en los filtros grueso y fino. Si quedan restos de alimentos, retire los filtros y límpielos a fondo bajo el grifo.

Para sacar el filtro del lavavajillas, retire primero el estante inferior y el brazo aspersor inferior.

- a. Filtro fino
- b. Filtro grueso
- c. Metal/plástico

LIMPIEZA Y CUIDADO

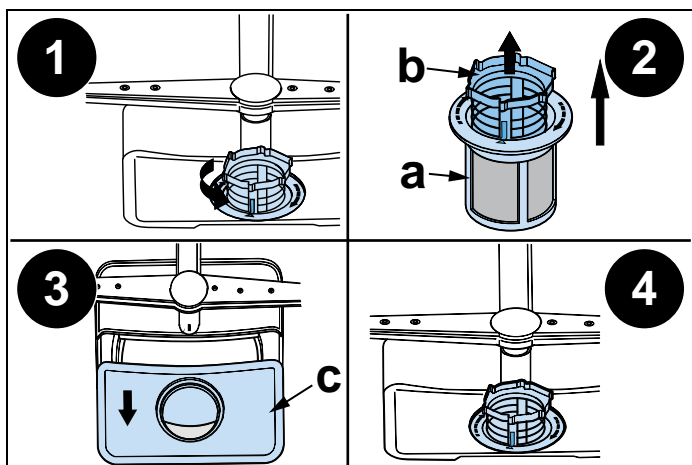


Fig. 72

SOLUCIÓN DE PROBLEMAS

FALLO	POSIBLE CAUSA	SOLUCIÓN DE PROBLEMAS
El programa no se inicia.	Su lavavajillas no está enchufado.	Enchufe su lavavajillas.
	Su lavavajillas no está encendido.	Encienda su lavavajillas pulsando el botón de encendido/apagado.
	Fusible quemado.	Compruebe los fusibles interiores.
	El grifo de entrada de agua está cerrado.	Abra el grifo de entrada de agua.
	La puerta de su lavavajillas está abierta.	Cierre la puerta del lavavajillas.
El agua permanece en el interior de la máquina.	La manguera de entrada de agua y los filtros de la máquina están obstruidos.	Compruebe la manguera de entrada de agua y los filtros de la máquina y asegúrese de que no están obstruidos.
	La manguera de desagüe de agua está obstruida o retorcida.	Compruebe la manguera de desagüe y límpiela o desenróscuela.
	Los filtros están obstruidos.	Limpie los filtros.
La máquina se para durante el lavado.	El programa aún no ha terminado.	Espere a que finalice el programa.
	Fallo eléctrico.	Compruebe la alimentación de red.
Se oyen ruidos de sacudidas y golpes durante un ciclo de lavado.	Fallo en la entrada de agua.	Compruebe el grifo de agua.
	El brazo aspersor está golpeando los platos de la cesta inferior.	Mueva o retire los objetos que bloquean el brazo aspersor.
Los restos de alimentos se han dejado parcialmente en la vajilla.	Platos mal colocados, el agua pulverizada no llega a los platos afectados.	No sobrecargue las cestas.
	Platos apoyados unos contra otros.	Coloque los platos como se indica en la sección sobre cómo cargar el lavavajillas.
	No se ha utilizado suficiente detergente.	Utilice la cantidad correcta de detergente, según las instrucciones de la tabla de programas.
	Se ha seleccionado un programa de lavado incorrecto.	Utilice la información de la tabla de programas para seleccionar el programa más adecuado.
	Brazos aspersores obstruidos con restos de alimentos.	Limpie los orificios de los brazos aspersores con objetos finos.
Quedan manchas blanquecinas en la vajilla.	Filtros o bomba de desagüe de agua obstruidos o filtro mal colocado.	Compruebe que la manguera de desagüe y los filtros están correctamente colocados.
	No se ha utilizado suficiente detergente.	Utilice la cantidad correcta de detergente, según las instrucciones de la tabla de programas.
	Dosificación de abrillantador y/o ajuste del descalcificador demasiado bajos.	Aumente el nivel de abrillantador y/o descalcificador.
Alto nivel de dureza del agua.	Alto nivel de dureza del agua.	Aumente el nivel del descalcificador y añada sal.
	La tapa del compartimento de sales no está bien cerrada.	Compruebe que la tapa del compartimento de sales está bien cerrada.

SOLUCIÓN DE PROBLEMAS

FALLO	POSIBLE CAUSA	SOLUCIÓN DE PROBLEMAS
Los platos no se secan.	La opción de secado no está seleccionada.	Seleccione un programa con opción de secado.
	Dosificación de abrillantador demasiado baja.	Aumente el ajuste de la dosis de abrillantador.
Se han formado manchas de óxido en la vajilla.	La calidad del acero inoxidable de la vajilla es insuficiente.	Utilice solamente juegos de vajillas aptos para lavavajillas.
	Alto nivel de sales en el agua de lavado.	Ajuste el nivel de dureza del agua utilizando la tabla de dureza del agua.
	La tapa del compartimento de sales no está bien cerrada.	Compruebe que la tapa del compartimento de sales está bien cerrada.
	Se derramó demasiada sal en el lavavajillas mientras lo llenaba.	Utilice un embudo mientras llena el compartimento con sales para evitar derrames.
El detergente permanece en el compartimento de detergente.	Mala conexión a tierra de la red.	Consulte inmediatamente a un electricista cualificado.
	El detergente se añadía cuando el compartimento estaba húmedo.	Asegúrese de que el compartimento del detergente esté seco antes de utilizarlo.

AVISOS AUTOMÁTICOS DE FALLO Y QUÉ HACER

CÓDIGO DE ERROR	POSIBLE FALLO	QUÉ HACER
FF	Fallo del sistema de entrada de agua	Asegúrese de que el grifo de entrada de agua está abierto y de que sale agua.
		<p>Separe la manguera de entrada del grifo y limpie el filtro de la manguera.</p> <p>Póngase en contacto con el servicio técnico si el error persiste.</p>
F5	Fallo del sistema de presión	Póngase en contacto con el servicio técnico.
F3	Entrada continua de agua	Cierre el grifo y póngase en contacto con el servicio técnico.
F2	Incapacidad para descargar agua	La manguera de descarga de agua y los filtros pueden estar obstruidos.
		<p>Cancele el programa.</p> <p>Si el error persiste, póngase en contacto con el servicio técnico.</p>
F8	Error del calentador	Póngase en contacto con el servicio técnico.
F1	Desbordamiento	Desenchufe la máquina y cierre el grifo.
		Póngase en contacto con el servicio técnico.
FE	Tarjeta electrónica defectuosa	Póngase en contacto con el servicio técnico.

SOLUCIÓN DE PROBLEMAS

CÓDIGO DE ERROR	POSIBLE FALLO	QUÉ HACER
F7	Sobrecalentamiento	Póngase en contacto con el servicio técnico.
F9	Error de posición del divisor	Póngase en contacto con el servicio técnico.
F6	Sensor del calentador defectuoso	Póngase en contacto con el servicio técnico.
HI	Fallo de alta tensión	Póngase en contacto con el servicio técnico.

INFORMACIÓN PRÁCTICA

- 1) Cuando la máquina no esté en funcionamiento:
 - Desconecte el enchufe y cierre el grifo.
 - Deje la puerta ligeramente abierta para evitar la formación de olores.
- 2) Seleccione la opción de secar para eliminar las gotas de agua.
- 3) Coloque la vajilla en la máquina correctamente para conseguir el mejor consumo de energía y el mejor rendimiento de lavado y secado. Consulte el programa y la tabla de consumos para más información.
- 4) Aclare los platos sucios antes de colocarlos en el lavavajillas.
- 5) Utilice el programa de aclarado solo cuando sea necesario.
- 6) No coloque la máquina cerca de un frigorífico, ya que alcanzará altas temperaturas.
- 7) Si la máquina se encuentra en una zona con riesgo de congelación, cierre el grifo, desconecte la manguera de entrada del grifo y vacíe completamente el agua del interior de la manguera y la máquina.

DECLARACIÓN DE GARANTÍA LIMITADA DE DOS AÑOS

QUÉ CUBRE ESTA GARANTÍA LIMITADA

La cobertura de garantía proporcionada por Bertazzoni SpA ("Bertazzoni") en esta declaración se aplica exclusivamente al electrodoméstico original de Bertazzoni ("Producto") vendido al consumidor ("Comprador") por un vendedor/distribuidor minorista autorizado de Bertazzoni distribuidor/revendedor, comprado e instalado en EE.UU., Distrito de Columbia, o Canadá, y que siempre haya permanecido dentro del país de compra original (EE.UU., Distrito de Columbia, o Canadá).

La cobertura de la garantía se activa en la fecha de compra original del Producto y tiene una duración de dos (2) años.

La cobertura de la garantía no es transferible.

En el caso de que se sustituyan piezas o el producto completo, el Producto de sustitución (o las piezas) asumirá el resto de la Garantía original activada con el documento original de compra minorista. Esta Garantía no se extenderá con respecto a dicha sustitución.

Bertazzoni SpA reparará o sustituirá cualquier componente/pieza que falle o resulte defectuoso debido a los materiales y/o a la mano de obra en un plazo de 2 años a partir de la fecha de la compra original minorista y en condiciones de uso residencial normal y no comercial. La reparación o la sustitución serán gratuitas, incluyendo la mano de obra según las tarifas habituales y los gastos de envío. El comprador es responsable de hacer que el Producto sea razonablemente accesible para el servicio técnico. El servicio de reparación debe ser realizado por una empresa de servicio técnico autorizada por Bertazzoni durante el horario de trabajo normal. La mano de obra que se realice en horas extras o con tarifas especiales no estará cubierta por la garantía.



IMPORTANTE

Conserve el comprobante de compra original para establecer el periodo de garantía.

La responsabilidad de Bertazzoni en cualquier reclamación de cualquier tipo, con respecto a los bienes y/o servicios suministrados, no superará en ningún caso el valor de los bienes o servicios, o de la parte de los mismos, que da origen a la reclamación.

Garantía de daños cosméticos de 30 días

La inspección del producto debe ser realizada por el comprador en el momento de la entrega. Bertazzoni garantiza que el Producto está libre de defectos de fabricación en los materiales y la mano de obra durante un periodo de treinta (30) días a partir de la fecha de compra original minorista del Producto.

Esta cobertura incluye:

- Imperfecciones de la pintura
- Mellas
- Defectos macroscópicos de acabado.

La garantía de daños cosméticos NO cubre:

- problemas derivados de un transporte, manipulación y/o instalación incorrectos (es decir, abolladuras, estructuras o componentes rotos, arqueados o deformados, componentes de vidrio rotos)
- ligeras variaciones de color en los componentes pintados/esmaltados
- diferencias causadas por la iluminación natural o artificial, la ubicación u otros factores similares
- manchas/corrosión/descoloración causadas por sustancias externas y/o factores ambientales
- **costes de mano de obra; electrodomésticos en exposición, de suelo, devueltos tras el periodo de prueba, de serie, "tal cual" y unidades de demostración.**

GARANTÍA DE PROTECCIÓN DEL VIDRIO

Esta garantía cubre la rotura del cristal de la puerta del horno durante el periodo siguiente:

VIDRIOS EXTERNOS Y MEDIOS: 90 días después de la fecha de compra original.

VIDRIO INTERIOR: 180 días después de la fecha de compra original.

CÓMO OBTENER EL SERVICIO

Para recibir el servicio de garantía, el Comprador debe ponerse en contacto con Bertazzoni para determinar el problema y los procedimientos de servicio correctos.

Se solicitará el número de modelo, el número de serie y la fecha de la compra original minorista.



IMPORTANTE

Conserve el comprobante de compra original para establecer el periodo de garantía.

Si se encuentra en EE.UU.

866 905 0010

<https://us.bertazzoni.com/more/support>

Si se encuentra en CANADÁ

866 561 7265

<https://ca.bertazzoni.com/more/support>

DECLARACIÓN DE GARANTÍA LIMITADA DE DOS AÑOS

EXCLUSIONES DE LA GARANTÍA - QUÉ NO ESTÁ CUBIERTO

- Uso del Producto en cualquier aplicación comercial no residencial
- Uso del Producto para cualquier fin que no sea su alcance previsto
- Servicio de reparación prestado por un tercero que no sea una agencia de servicio autorizada por Bertazzoni.
- Daños o servicio de reparación para corregir el servicio prestado por un representante no autorizado o el uso de piezas no autorizadas.
- La instalación no cumple con los códigos de protección contra incendios, los códigos eléctricos, los códigos de instalación de gas, los códigos de fontanería, los códigos de construcción, reglamentos o las leyes locales/nacionales/regionales.
- Defectos o daños debidos a un almacenamiento inadecuado del Producto.
- Defectos, daños o falta de piezas en los productos vendidos sin su embalaje original de fábrica o provenientes de expositores.
- Llamadas al servicio técnico o reparaciones para corregir la instalación incorrecta del Producto y/o los accesorios relacionados.
- Sustitución de piezas/llamadas al servicio técnico para conectar, convertir o reemparejar de otro modo el cableado eléctrico y/o la línea de gas para utilizar correctamente el Producto.
- Sustitución de piezas/llamadas al servicio técnico para proporcionar instrucciones y formación sobre el uso del Producto.
- Sustitución de piezas/llamadas al servicio técnico para corregir problemas debidos al empleo del Producto de forma distinta a la normal y habitual para su uso residencial.
- Sustitución de piezas/llamadas al servicio técnico por desgaste normal como juntas, mandos, soportes de cacerolas, estanterías, cestas de cubiertos, botones, pantallas táctiles, encimeras de cerámica rayadas o rotas.
- Sustitución de piezas/llamadas al servicio técnico por falta de mantenimiento o si este es inadecuado, como por ejemplo: acumulación de residuos, manchas, arañazos, decoloración, corrosión.
- Sustitución de los componentes de vidrio y de las bombillas si la reclamación se produce después de 30 días desde la fecha de compra original minorista.
- Defectos y daños derivados de accidentes, alteraciones, uso indebido, abuso, instalación incorrecta.
- Los defectos y daños derivados del transporte, logística y manipulación del Producto. La inspección del Producto debe hacerse en el momento de la entrega. Cualquier problema derivado de la manipulación, transporte y logística debe ser notificado al distribuidor/empresa de entrega tras su recepción e inspección.

- Los defectos y daños derivados de factores externos que escapan al control de Bertazzoni SpA, incluyendo, pero sin limitarse a ello, el viento, la lluvia, la arena, los incendios, las inundaciones, los desprendimientos de lodos, las temperaturas de congelación, la humedad excesiva o la exposición prolongada a la humedad, las subidas de tensión eléctrica, los relámpagos, los fallos de estructuras que rodean al electrodoméstico, y otras causas de fuerza mayor.
- Productos con el número de serie alterado/dañado/manipulado.
- La conexión de la línea de agua debe ser realizada por un profesional cualificado y con licencia. Los problemas debidos a conexiones incorrectas de las tuberías de agua como, por ejemplo, fugas y daños causados por el agua en suelos y/o armarios, no se consideran un problema del Producto y no están cubiertos por la garantía del fabricante.

En ningún caso Bertazzoni será responsable de los daños a la propiedad circundante, incluyendo mobiliario, armarios, suelos, paneles y otras estructuras que rodeen al Producto.

Bertazzoni no se hace responsable del Producto si se encuentra en una zona remota o en una zona en la que no se pueda disponer razonablemente de técnicos capacitados y certificados. El Comprador deberá correr con los gastos de transporte y entrega del Producto al centro de servicio técnico autorizado más cercano o con las tarifas de desplazamiento adicionales de un técnico capacitado y certificado.

NO HAY MÁS GARANTÍAS EXPRESAS QUE LAS ENUMERADAS Y DESCRITAS ANTERIORMENTE, Y NINGUNA GARANTÍA, YA SEA EXPRESA O IMPLÍCITA, INCLUYENDO, PERO SIN LIMITARSE A, CUALQUIER GARANTÍA IMPLÍCITA DE COMERCIABILIDAD O IDONEIDAD PARA UN PROPÓSITO PARTICULAR, SE APLICARÁ DESPUÉS DE LOS PERIODOS DE GARANTÍA EXPRESA INDICADOS ANTERIORMENTE, Y NINGUNA OTRA GARANTÍA EXPRESA O GARANTÍA DADA POR CUALQUIER PERSONA, EMPRESA O CORPORACIÓN CON RESPECTO A ESTE PRODUCTO SERÁ VINCULANTE PARA BERTAZZONI. BERTAZZONI NO SERÁ RESPONSABLE DE LA PÉRDIDA DE INGRESOS O BENEFICIOS, DE LA NO REALIZACIÓN DE AHORROS U OTROS BENEFICIOS, DEL TIEMPO DE AUSENCIA DEL TRABAJO, DE LAS DIETAS, LA PÉRDIDA DE ALIMENTOS O BEBIDAS, DE LOS GASTOS DE VIAJE O DE HOTEL, DE LOS GASTOS DE ALQUILER O DE COMPRA DE ELECTRODOMÉSTICOS, DE LOS GASTOS DE REMODELACIÓN/CONSTRUCCIÓN QUE SUPEREN LOS DAÑOS DIRECTOS CAUSADOS DEFINITIVAMENTE POR BERTAZZONI, O DE CUALQUIER OTRO DAÑO ESPECIAL, INCIDENTAL O CONSECUENTE CAUSADO POR EL USO, EL MAL USO O LA INCAPACIDAD DE UTILIZAR ESTE PRODUCTO, CON INDEPENDENCIA DE LA TEORÍA LEGAL EN QUE SE BASE LA RECLAMACIÓN, E INCLUSO SI BERTAZZONI HA SIDO

DECLARACIÓN DE GARANTÍA LIMITADA DE DOS AÑOS

ADVERTIDO DE LA POSIBILIDAD DE TALES DAÑOS. NI LA RECUPERACIÓN DE CUALQUIER TIPO CONTRA BERTAZZONI SERÁ MAYOR EN CANTIDAD QUE EL PRECIO DE COMPRA DEL PRODUCTO VENDIDO POR BERTAZZONI Y CAUSANTE DEL SUPUESTO DAÑO. SIN LIMITACIÓN DE LO ANTERIOR, EL COMPRADOR ASUME TODO EL RIESGO Y LA RESPONSABILIDAD POR LA PÉRDIDA, EL DAÑO O LA LESIÓN DEL COMPRADOR Y DE SUS BIENES Y DE LOS DE OTRAS PERSONAS Y SUS BIENES QUE SE DERIVEN DEL USO, EL MAL USO O LA INCAPACIDAD DE UTILIZAR ESTE PRODUCTO VENDIDO POR BERTAZZONI QUE NO HAYA SIDO CAUSADO DIRECTAMENTE POR LA NEGLIGENCIA DE BERTAZZONI. ESTA GARANTÍA LIMITADA NO SE EXTENDERÁ A NADIE MÁS QUE AL COMPRADOR ORIGINAL DE ESTE PRODUCTO, NO ES TRANSFERIBLE Y ESTABLECE SUS RECURSOS EXCLUSIVOS.

Bertazzoni no asume ninguna responsabilidad por daños incidentales o consecuentes. Algunos estados no permiten la exclusión o limitación de los daños incidentales o consecuentes, por lo que la limitación o exclusión anterior puede no aplicarse en su caso. Esta garantía le otorga derechos legales específicos y también puede tener otros derechos que pueden variar de un estado a otro o de una provincia a otra.

Cualquier pregunta sobre esta Garantía limitada puede dirigirse al servicio de atención al cliente de Bertazzoni.

Si se encuentra en EE.UU.

866 905 0010

<https://us.bertazzoni.com/more/support>

Si se encuentra en CANADÁ

866 561 7265

<https://ca.bertazzoni.com/more/support>

DU BUREAU DE NOTRE PRÉSIDENT

Cher nouveau propriétaire d'un appareil Bertazzoni,

Je tiens à vous remercier d'avoir choisi l'un de nos beaux produits pour votre maison.

Ma famille a commencé à fabriquer des appareils électroménagers en Italie en 1882, bâtissant une réputation de qualité d'ingénierie et de passion pour la bonne cuisine.

Aujourd'hui, nos produits se distinguent par leur mélange unique de design italien authentique et de technologie d'électroménager supérieure. Notre mission est de fabriquer des produits qui fonctionnent parfaitement et qui apportent de la joie à leurs propriétaires.

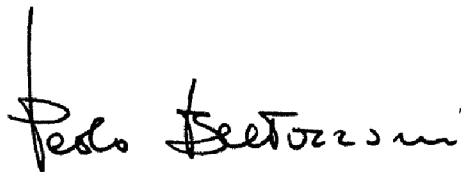
En fabriquant de beaux produits, nous répondons au goût de nos clients pour un joli design. En les rendant polyvalents et faciles à utiliser, cuisiner avec Bertazzoni devient un réel plaisir.

Ce manuel vous aidera à apprendre à utiliser et à entretenir votre appareil Bertazzoni de la manière la plus sûre et la plus efficace, afin qu'il puisse vous donner la plus grande satisfaction pour les années à venir.

Profitez-en bien !

Paolo Bertazzoni

Président

A handwritten signature in black ink that reads "Paolo Bertazzoni". The signature is written in a cursive, slightly stylized font.

VALIDITÉ DU MANUEL D'UTILISATION

Le manuel suivant est valable pour tous les codes produits mentionnés ci-dessous :

- DW24S3IPV

SOMMAIRE

INFORMATIONS GÉNÉRALES	107
INFORMATIONS DE SÉCURITÉ	107
RECYCLAGE	108
MANUEL D'INSTALLATION	110
SPÉCIFICATIONS	110
ASPECT GÉNÉRAL	110
CARACTÉRISTIQUES TECHNIQUES	110
INSTALLATION	111
DIMENSIONS DE L'OUVERTURE	111
PANNEAU DE PORTE PERSONNALISÉ (POUR LES MODÈLES AVEC PANNEAU PERSONNALISÉ)	111
EXIGENCES ÉLECTRIQUES	111
EXIGENCES EN MATIÈRE DE PLOMBERIE	112
INSTALLATION	114
MANUEL D'UTILISATION ET D'ENTRETIEN	125
UTILISATION	125
PREMIÈRES ÉTAPES	125
DISPOSITION DE LA VAISSELLE	126
RACKS	130
FONCTIONNEMENT	135
VOYANTS	140
DISTRIBUTEUR DE DÉTERGENT ET DE LIQUIDE DE RINÇAGE	140
RÉSERVOIR DE SEL (POUR LES MODÈLES ÉQUIPÉS D'UN ADOUCISSEUR D'EAU)	142
NETTOYAGE ET ENTRETIEN	144
BRAS D'ASPERSION	144
FILTRE	145
RÉSOLUTION DE PROBLÈMES	147
RÉSOLUTION DE PROBLÈMES	147
AVERTISSEMENTS AUTOMATIQUES DE PANNE ET QUE FAIRE	148
INFORMATIONS PRATIQUES	150
GARANTIE ET ASSISTANCE	151
DÉCLARATION DE GARANTIE LIMITÉE DE DEUX ANS	151
CE QUE COUVRE CETTE GARANTIE LIMITÉE	151
POLITIQUE DE PROTECTION DU VERRE	151
COMMENT OBTENIR UN SERVICE	151
EXCLUSIONS DE LA GARANTIE – CE QU'ELLE NE COUVRE PAS	151

INFORMATIONS GÉNÉRALES

Ces instructions s'appliquent à différents types d'appareils. Elles peuvent donc contenir des descriptions de fonctions qui ne sont pas disponibles sur votre appareil, ou que celui-ci ne supporte pas.

Les images et illustrations du présent document se réfèrent à différents modèles et peuvent différer légèrement du produit acheté.

Le fabricant décline toute responsabilité en cas de blessures corporelles ou de dommages matériels résultant d'une installation incorrecte ou d'une mauvaise utilisation de l'appareil.

Le fabricant se réserve le droit d'apporter les modifications requises aux différents modèles afin de se conformer à la réglementation technique en vigueur.

En cas de réclamation, veuillez contacter le service après-vente. Lisez attentivement les instructions fournies dans ce manuel avant d'installer et/ou d'utiliser l'appareil. Cela vous aidera à connaître votre nouvel appareil. Conservez ce document à portée de main afin de pouvoir le consulter à tout moment et le transmettre à d'éventuels propriétaires ultérieurs.

Lisez les messages de sécurité fournis dans l'introduction du présent manuel et tenez dûment compte des notes de sécurité, telles que : « Attention », « Avertissement » et « Danger » qui apparaissent dans le texte.



DANGER

Ce symbole indique une situation qui constitue un danger pour vous-même et autrui. Lisez-le attentivement et assurez-vous d'avoir parfaitement compris les causes d'accidents potentiellement dangereux ou mortels.



MISE EN GARDE

Ce symbole indique des informations de sécurité. Lisez-le attentivement et assurez-vous d'avoir parfaitement compris les causes d'accidents potentiellement dangereux.



ATTENTION !

Ce symbole indique une procédure qui pourrait compromettre la structure ou les composants de l'appareil. Faites particulièrement attention à ces procédures.



NOTE

Ce symbole met en évidence les méthodes ou procédures d'utilisation correcte de l'appareil.

Le modèle, le code de vente et le numéro de série sont imprimés sur la plaque signalétique. Reportez-vous à la section Spécifications du présent manuel pour connaître l'emplacement de la plaque signalétique.



NOTE

Nous vous conseillons de noter les données et le numéro de série de l'appareil afin qu'ils soient immédiatement disponibles en cas de besoin.



NOTE

Indiquez les informations fournies sur la plaque signalétique afin d'améliorer l'efficacité des services après-vente et pièces de rechange. Pour les besoins de la garantie, vous aurez également besoin de la date d'installation et du nom de votre revendeur agréé Bertazzoni.



MISE EN GARDE

Lorsque vous utilisez votre lave-vaisselle, suivez les précautions de base. Lisez toutes les instructions avant d'utiliser le lave-vaisselle. Conservez ces instructions et transmettez-les à tout utilisateur futur.

- Utilisez le lave-vaisselle uniquement pour l'usage auquel il est destiné.
- Cet appareil est destiné à un usage résidentiel uniquement.
- N'utilisez que des détergents ou des agents mouillants recommandés pour lave-vaisselle et gardez-les hors de la portée des enfants.
- Lors du chargement d'articles à laver :
 - placer des objets tranchants de manière à ce qu'ils ne soient pas susceptibles d'endommager le joint de la porte ;
 - chargez des couteaux tranchants avec les poignées vers le haut pour réduire le risque de blessure.
- Ne lavez pas les articles en plastique à moins qu'ils ne portent la mention « lavable au lave-vaisselle » ou l'équivalent. Pour les articles en plastique non marqués, vérifiez les recommandations du fabricant.
- Ne touchez pas l'élément chauffant pendant ou immédiatement après utilisation.
- Évitez toute manipulation des commandes.
- Utilisez votre lave-vaisselle uniquement après que tous les panneaux d'enceinte ont été correctement mis en place.
- Ne retirez pas la vaisselle de l'appareil tant que le cycle de lavage n'est pas terminé.

INFORMATIONS GÉNÉRALES

- Pour éviter tout risque de blessure, soyez toujours prudent lorsque vous ouvrez la porte pendant ou après un cycle de lavage, car de l'eau chaude ou de la vapeur peut s'échapper.
- Vérifiez que le distributeur de détergent est vide au terme de chaque cycle de lavage.
- Évitez d'utiliser improprement l'appareil, de s'asseoir dessus ou de s'appuyer sur la porte ou le panier à vaisselle du lave-vaisselle.
- Les paniers à tasses sont conçus pour contenir des tasses, des verres et des ustensiles de cuisine. Ne vous appuyez pas sur les paniers à tasses ou ne les utilisez pas pour supporter votre poids corporel.
- Pour éviter tout risque de trébuchement, ne laissez pas la porte du lave-vaisselle ouverte.
- Ne laissez pas les enfants jouer dans ou sur un lave-vaisselle.
- Lorsque les enfants sont assez grands pour utiliser l'appareil, il vous incombe de vous assurer qu'ils sont correctement informés des pratiques de sécurité contenues dans le présent manuel.
- Cet appareil doit être relié à la terre. En cas de dysfonctionnement ou de panne, la mise à la terre réduira le risque de choc électrique en fournissant un circuit de moindre résistance pour le courant électrique. Cet appareil est équipé d'un cordon doté d'un conducteur de mise à la terre et d'une prise de mise à la terre. La fiche doit être branchée sur une prise appropriée, installée et mise à la terre conformément à tous les codes et règlements locaux.



MISE EN GARDE

Une mauvaise connexion du conducteur de mise à la terre de l'équipement peut entraîner un risque de choc électrique. En cas de doute quant à la mise à la terre correcte de l'appareil, faites appel à un électricien qualifié ou à un représentant du service après-vente pour vous en assurer. Ne modifiez pas la fiche fournie avec l'appareil si elle ne convient pas à la prise. Faites installer une prise appropriée par un électricien qualifié.



MISE EN GARDE

Avant toute opération de maintenance, éteignez l'appareil et débranchez la fiche d'alimentation de la prise secteur.

- N'utilisez pas de jets d'eau sous haute pression et/ou de vapeur pour nettoyer l'appareil.
- Vérifiez qu'il n'y a pas de fuites d'eau visibles pendant et après la première utilisation de l'appareil.
- Pour éviter d'endommager le plancher et la croissance éventuelle de moisissures, éliminez toute trace d'humidité autour ou au-dessous du lave-vaisselle.

- Pour éviter d'endommager le lave-vaisselle, éliminer l'eau résiduelle présente dans l'appareil lorsque de longues périodes de gel sont prévues
- N'entreposez ni n'utilisez de liquides ou de vapeurs inflammables à l'intérieur, à proximité ou sur l'appareil.
- Dans certaines conditions, de l'hydrogène gazeux peut être produit dans un système d'eau chaude qui n'a pas été utilisé depuis deux semaines ou plus. L'HYDROGÈNE GAZEUX EST EXPLOSIF. Si le système d'eau chaude n'a pas été utilisé pendant deux semaines ou plus, avant d'utiliser le lave-vaisselle, ouvrez tous les robinets d'eau chaude et laissez l'eau s'écouler pendant plusieurs minutes. Cela a pour effet de libérer tout le gaz d'hydrogène accumulé. Le gaz est inflammable : ne fumez pas et n'utilisez pas de flamme nue pendant ce laps de temps.
- Veillez à vérifier périodiquement la conduite d'alimentation en eau. Elle est susceptible de se rompre. Elle devient moins flexible au fil du temps. Remplacez-la immédiatement en cas de déchirure, coupure, gonflement ou de fuite d'eau.



MISE EN GARDE

PROPOSITION 65 DE CALIFORNIE À L'INTENTION DES RÉSIDENTS

Cancer et troubles de la reproduction –
www.P65Warnings.ca.gov

- Démontez la porte du compartiment de lavage lorsque vous n'utilisez plus l'appareil ou décidez de le mettre au rebut. Assurez-vous que l'appareil ne présente aucun danger pour les enfants pendant qu'il est entreposé en vue de son élimination. Avant de jeter le lave-vaisselle :
 - Débranchez l'appareil de l'alimentation secteur.
 - Coupez le câble secteur et jetez-le.
 - Retirez le loquet de porte pour éviter qu'un enfant ou un animal domestique ne reste bloqué à l'intérieur de l'appareil.
- Les vieux appareils peuvent contenir des matériaux qui peuvent être recyclés. Veuillez contacter votre autorité locale compétente en matière de recyclage pour connaître la possibilité de recycler ces matériaux.
- Veillez à garder l'emballage du lave-vaisselle hors de la portée des enfants après l'avoir déballé.



MISE EN GARDE

Risque de blessure ou de suffocation !
Assurez-vous que tous les emballages en plastique, sacs, petites pièces, etc., sont éliminés en toute sécurité et tenus hors de portée des enfants.

CONSERVER SOIGNEUSEMENT CES INSTRUCTIONS !

Démontez la porte du compartiment de lavage lorsque vous n'utilisez plus l'appareil ou décidez de le mettre au rebut. Assurez-vous que l'appareil ne présente aucun

INFORMATIONS GÉNÉRALES

danger pour les enfants pendant qu'il est entreposé en vue de son élimination. Avant de jeter le lave-vaisselle :

- Débranchez l'appareil de l'alimentation secteur.
- Coupez le câble secteur et jetez-le.
- Retirez le loquet de porte pour éviter qu'un enfant ou un animal domestique ne reste bloqué à l'intérieur de l'appareil.

Les vieux appareils peuvent contenir des matériaux qui peuvent être recyclés. Veuillez contacter votre autorité locale compétente en matière de recyclage pour connaître la possibilité de recycler ces matériaux.

Veillez à garder l'emballage du lave-vaisselle hors de la portée des enfants après l'avoir déballé.



MISE EN GARDE

Risque de blessure ou de suffocation !

Assurez-vous que tous les emballages en plastique, sacs, petites pièces, etc., sont éliminés en toute sécurité et tenus hors de portée des enfants.

CONSERVER SOIGNEUSEMENT CES INSTRUCTIONS !

SPÉCIFICATIONS

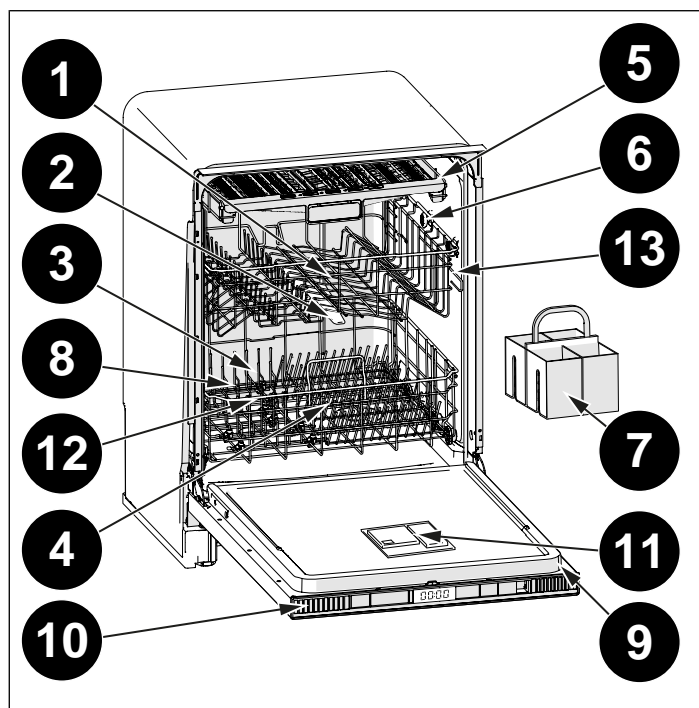


Fig. 1



NOTE

Nous efforçons sans cesse d'améliorer nos produits, c'est pourquoi nous nous réservons le droit de modifier leurs caractéristiques et leur conception sans préavis. Cet appareil est conforme aux directives suivantes :

UL 749 Directive sur les lave-vaisselle ménagers.

ASPECT GÉNÉRAL

- 1) Panier supérieur
- 2) Bras d'aspersion supérieur
- 3) Panier inférieur
- 4) Bras d'aspersion inférieur
- 5) Troisième panier (selon le modèle)
- 6) Buse supérieure (selon le modèle)
- 7) Panier à couverts (selon le modèle)
- 8) Filtres
- 9) Plaques signalétiques
- 10) Bandeau de commande
- 11) Distributeur de détergent et de liquide de rinçage
- 12) Distributeur de sel (selon le modèle)
- 13) Butée de blocage panier supérieur

CARACTÉRISTIQUES TECHNIQUES

Pression d'eau autorisée	4,35-145psi (0,3 - 10 bars)
Branchement électrique	120 V (volts), 12 A (amps), 60Hz (hertz)
Puissance totale	1400 (W)
Puissance de chauffage	1100 (W)

INSTALLATION

DIMENSIONS DE L'OUVERTURE

La profondeur du meuble illustrée comprend le panneau avant de l'armoire de cuisine. Pour une installation affleurante, une profondeur minimale d'encastrement de 22 1/2" (570) est requise avec une épaisseur de panneau de porte personnalisée de 3/4" (20).

VUE DU DESSUS

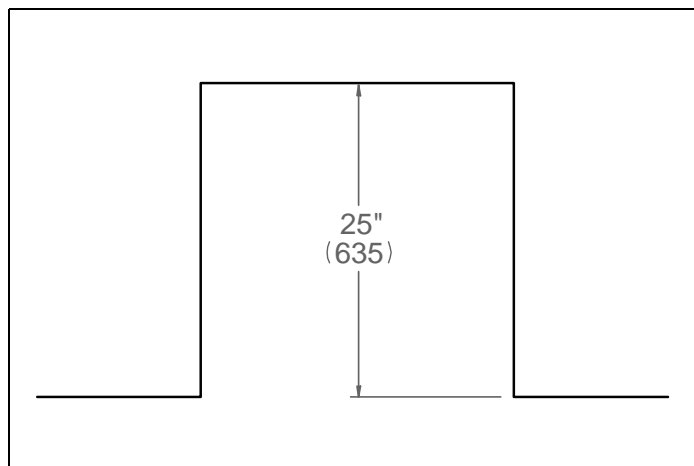


Fig. 2

VUE AVANT

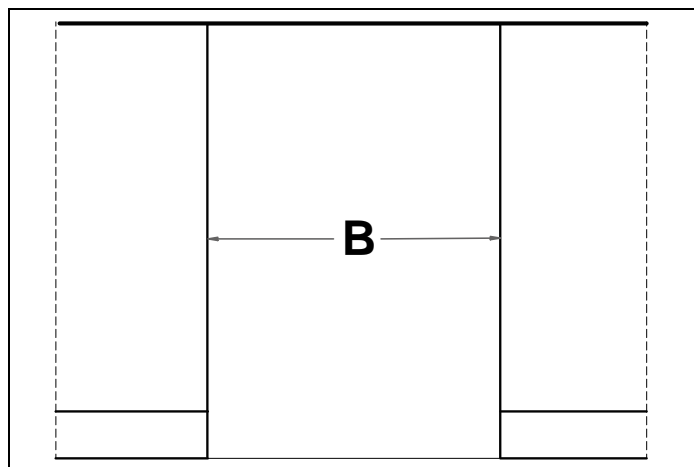


Fig. 3

- **B** 23 5/8" (600 mm)*ou 24" (610 mm)**

*sans garnitures latérales

**vec garnitures latérales installées

VUE LATÉRALE

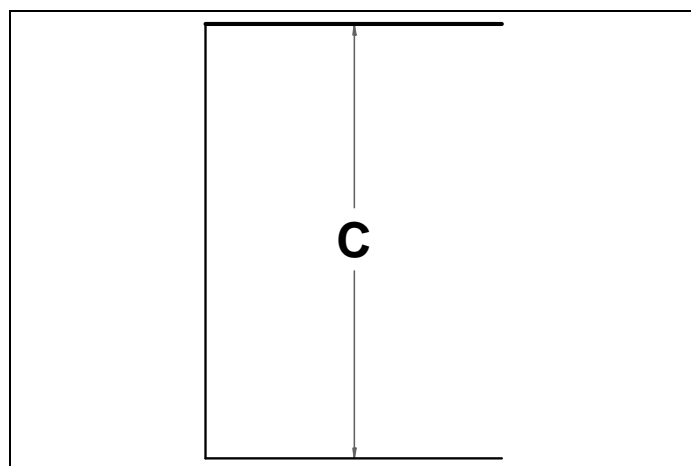


Fig. 4

- **C** 32 7/16" - 34 7/16" (824mm-874mm)

PANNEAU DE PORTE PERSONNALISÉ (POUR LES MODÈLES AVEC PANNEAU PERSONNALISÉ)

L'épaisseur du panneau personnalisé peut varier. Un panneau d'au moins 1/2" (13 mm) d'épaisseur est requis, mais l'épaisseur peut être augmentée à condition que le panneau ne dépasse pas 8 kg (18 lb) . Le gabarit de panneau de porte personnalisé fourni peut accueillir des panneaux de 25" 5/16 (592 mm) – 23" 7/16 (596 mm) de large.

VUE AVANT

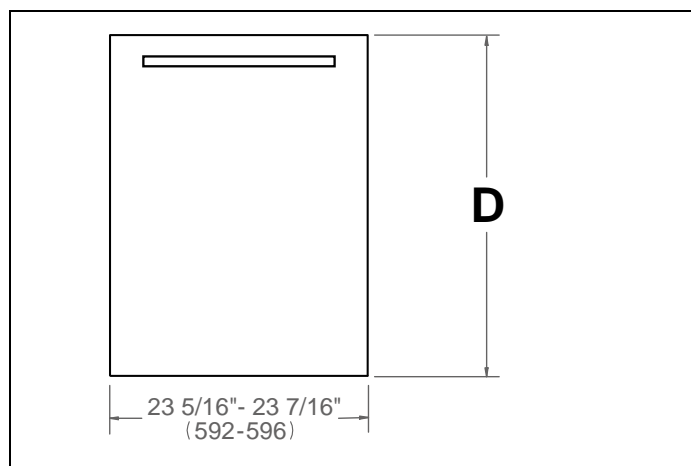


Fig. 5

- **D** 25 1/2" - 28 1/4" (647 mm-717 mm)

EXIGENCES ÉLECTRIQUES

Veillez vérifier les normes électriques et les codes locaux avant d'installer l'appareil.

Le branchement doit être effectué à un circuit d'alimentation correctement conçu, protégé et dimensionné

INSTALLATION

pour éviter toute surcharge électrique. Le lave-vaisselle est conçu pour une alimentation électrique de 120 V (volts), 60 Hz (hertz), CA, reliée à un circuit électrique séparé et correctement mis à la terre desservant uniquement cet appareil, avec un fusible ou des disjoncteurs d'une puissance nominale de 15 ampères. Les conducteurs d'alimentation électrique doivent être constitués d'au moins un fil de cuivre # 16 AWG supportant 167 °F (75 °C) ou plus.

Le fil de terre ne doit jamais être connecté aux conduites de gaz, d'eau chaude ou de plomberie.

N'utilisez pas de rallonge électrique ou d'adaptateur portatif de prise pour connecter le lave-vaisselle à un bloc d'alimentation.

Ces exigences doivent être respectées pour éviter de se blesser et d'endommager la machine. En cas de doute, consultez un électricien qualifié.

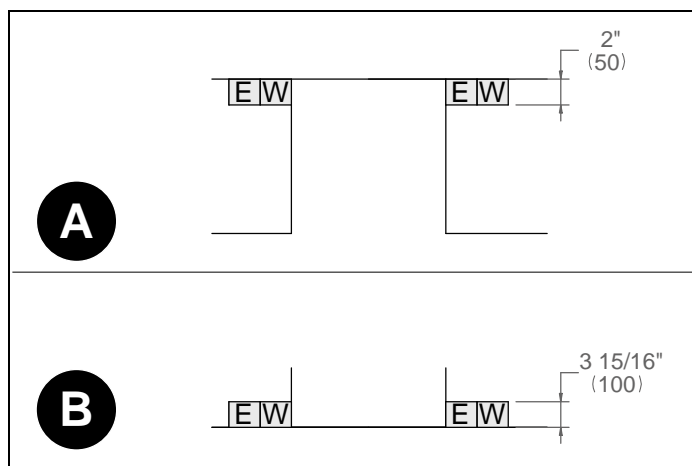


Fig. 6

- **A** VUE DU DESSUS
- **B** VUE AVANT



Une prise électrique correctement mise à la terre et montée horizontalement doit être installée conformément à ce dessin.

L'emplacement des branchements doit être situé de chaque côté de la découpe.

EXIGENCES EN MATIÈRE DE PLOMBERIE

L'installation doit être conforme à tous les codes de plomberie applicables.

L'alimentation en eau et le drain doivent être installés dans une armoire adjacente.

Raccordez l'alimentation en eau à une alimentation domestique en eau chaude à l'aide d'une vanne d'arrêt facilement accessible entre l'alimentation et l'appareil.

Les bords de l'ouverture doivent être lisses et ronds.

La conduite d'eau peut être raccordée au lave-vaisselle à l'aide :

- d'un tuyau tressé métallique
- d'un tuyau en cuivre.

Utilisez des tubes en cuivre de diamètre extérieur d'au moins $\frac{3}{4}$ " ou une conduite d'alimentation du lave-vaisselle en métal tressé.

La vanne d'entrée d'eau du lave-vaisselle a une dimension de filetage d'entrée de $\frac{3}{4}$ " – 11.5NH conformément à ASME B1.20.7-1991. Lors de l'achat d'un tuyau d'entrée d'eau pour votre lave-vaisselle, veuillez choisir un tuyau d'entrée ayant une dimension de filetage compatible avec la dimension du filetage du raccord de la vanne d'entrée d'eau ($\frac{3}{4}$ " - 11.5NH) de votre lave-vaisselle.

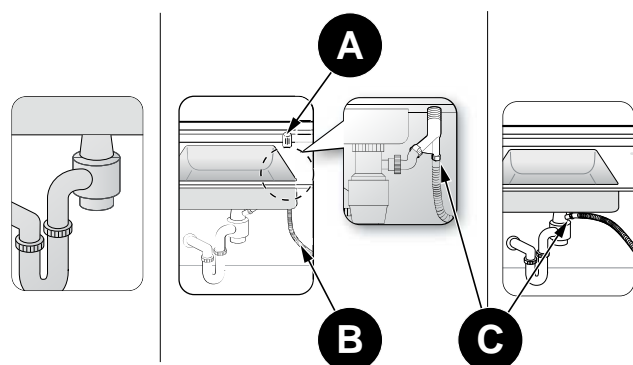
Une conduite d'évacuation à boucle haute est installée en usine sur l'unité. Ne retirez pas la boucle de serrage haute. Si nécessaire, le tuyau de vidange peut être prolongé d'un maximum de 5 " (1,5 m). Le tuyau de vidange du lave-vaisselle doit être installé avec une boucle de vidange à au moins 28" (710) du plancher de l'armoire, sinon le lave-vaisselle risque de ne pas se vider correctement.

Les températures requises pour souder et éliminer les suintements sur la soudure risquent d'endommager la vanne d'entrée d'eau du lave-vaisselle. Si une telle opération est nécessaire, maintenez la source de chaleur à une distance d'au moins $7\frac{7}{8}$ " (200 mm) de la vanne d'entrée d'eau du lave-vaisselle. La conduite d'eau ne doit présenter aucun coude serré susceptible de restreindre le débit d'eau.

Du ruban de téflon ou un composé de filetage de tuyau doit être utilisé pour sceller le raccordement. Avant de raccorder la conduite d'alimentation en cuivre au lave-vaisselle, rincez-la à l'eau chaude pour éliminer tout corps étranger.

INSTALLATION

ÉLIMINATION DES DÉCHETS	AVEC DISPOSITIF ANTI- REFOULEMENT	SANS DISPOSITIF ANTI- REFOULEMENT
----------------------------	--	--



- **A** Dispositif anti-refoulement
- **B** Tuyau de vidange
- **C** Collier de serrage

Purgez l'alimentation en eau avant d'effectuer le raccordement final à l'appareil.

Cela permet d'éliminer tous les débris susceptibles d'être présents dans le tuyau lors de l'installation de la nouvelle alimentation en eau. Raccordez le tube tressé de l'appareil à l'alimentation domestique en eau à l'aide du raccord fourni.

Vérifiez tous les raccords de l'alimentation en eau pour détecter les fuites éventuelles.

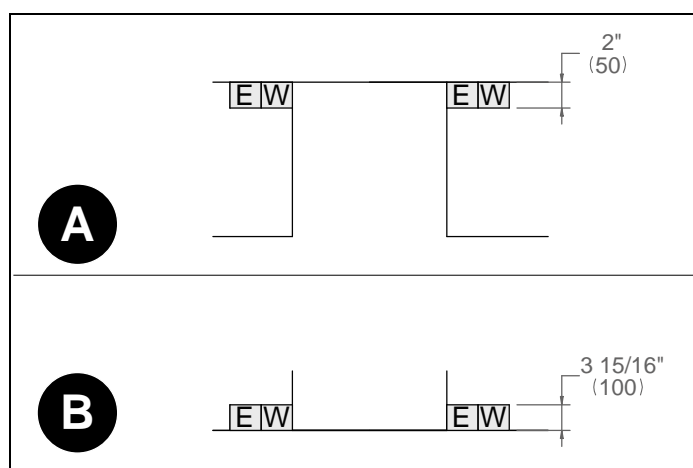
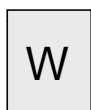


Fig. 7

- **A** VUE DU DESSUS
- **B** VUE AVANT



Pour raccorder les conduites d'eau au filetage de la vanne d'entrée d'eau, utilisez un tuyau d'entrée d'eau 3/8" et un adaptateur métallique 3/4" d'une longueur de 60" (1524) (non fourni).

INSTALLATION

INSTALLATION

OUTILS ÉVENTUELLEMENT REQUIS

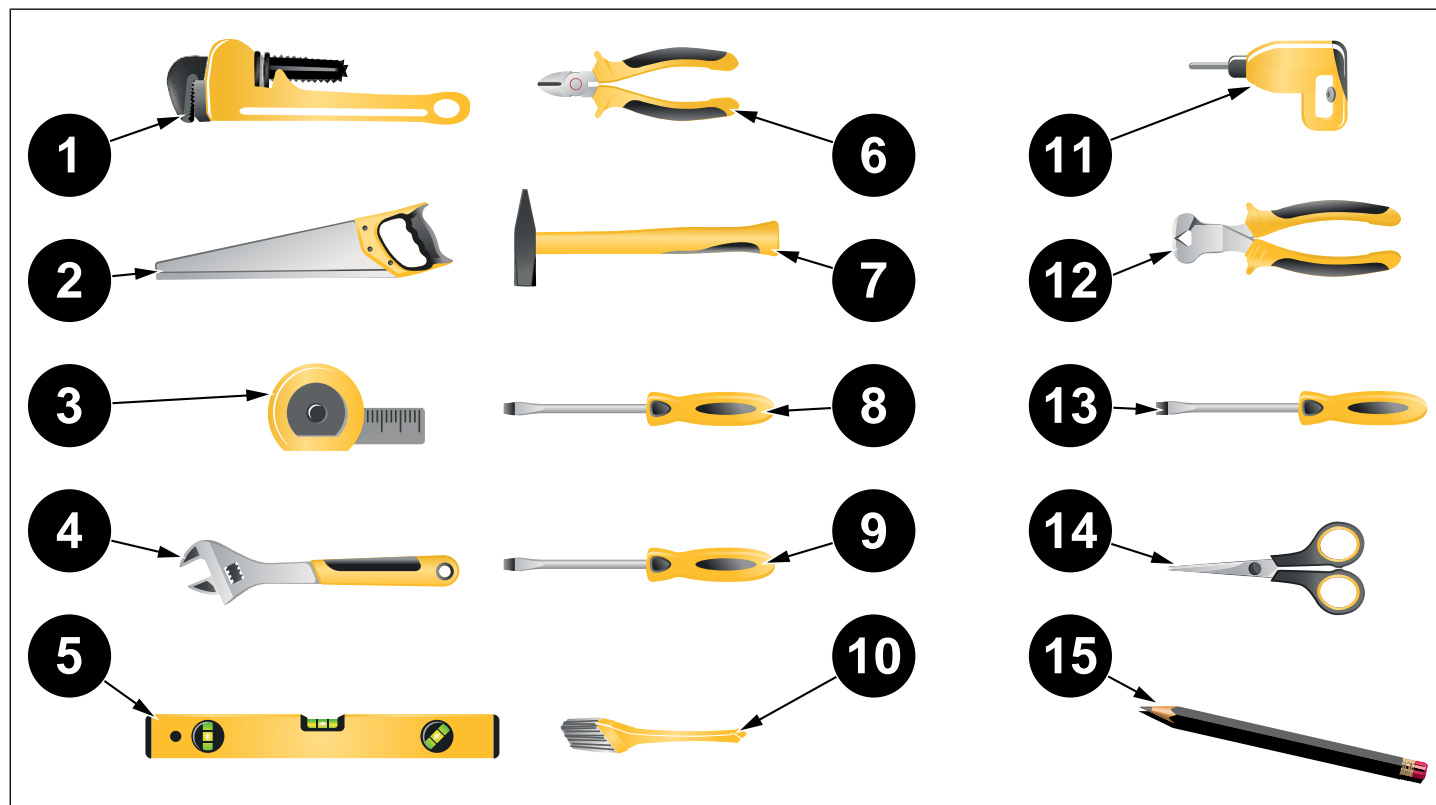


Fig. 8

- 1) Clé à molette
- 2) Scie-cloche
- 3) Mètre ruban
- 4) Clé réglable
- 5) Niveau à bulle
- 6) Coupe-fil
- 7) Marteau
- 8) Tournevis Torx (T20)
- 9) Tournevis plat
- 10) Brosse
- 11) Foreuse
- 12) Pince à dénuder
- 13) Tournevis Phillips
- 14) Ciseaux
- 15) Crayon

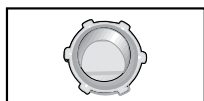
INSTALLATION

MATÉRIELS ÉVENTUELLEMENT REQUIS

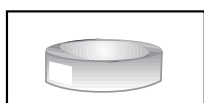
(Des matériels supplémentaires peuvent être nécessaires pour se conformer aux codes locaux.)



Conduite d'alimentation en eau chaude - Conduite d'alimentation en cuivre ou en métal de 3/4" de diamètre extérieur.



Raccord de conduit homologué UL ou serre-câble.



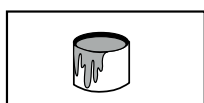
Ruban de téflon ou autre composé de filetage de tuyau pour sceller les raccords de plomberie.



Vanne d'arrêt et raccords appropriés pour la conduite d'alimentation en eau chaude (tuyauterie/raccord de compression en cuivre ou tuyau tressé).



Silicone



Colle

MATÉRIELS FOURNIS

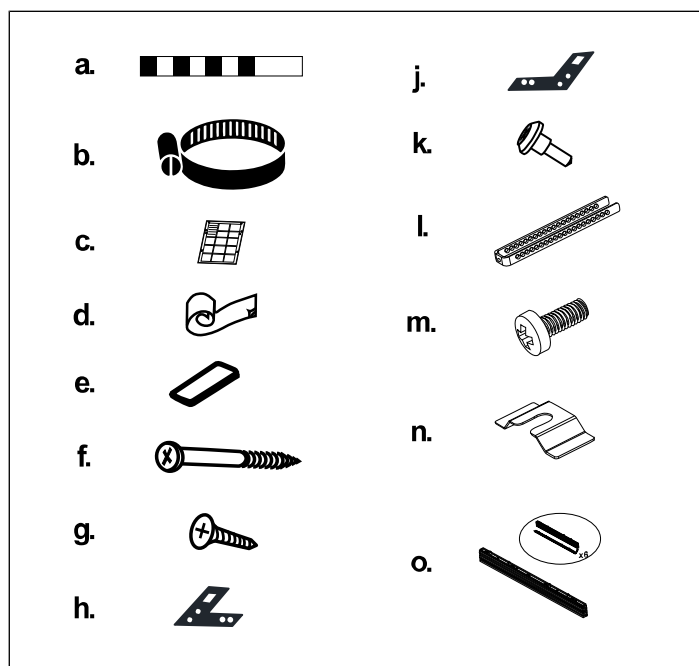


Fig. 9

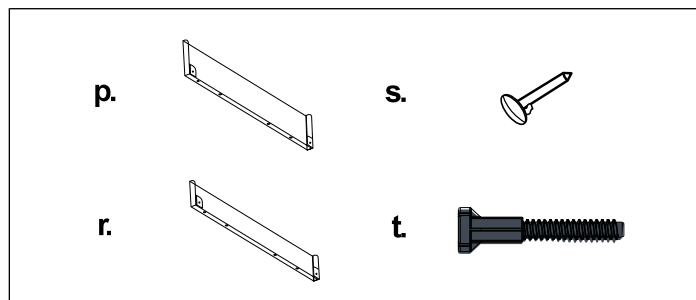


Fig. 10

Les pièces nécessaires au positionnement du lave-vaisselle sont emballées dans des sacs plastique. Vérifiez que toutes les pièces suivantes sont contenues dans des sacs plastique.

SAC DES MANUELS

Le lave-vaisselle est livré avec un sac des manuels contenant : manuel de l'utilisateur, manuel d'installation.

SAC DE PIÈCES 1 DU LAVE-VAISSELLE

Ce sac pour lave-vaisselle est livré avec les pièces suivantes :

- a. Bande de test(x1)(Selon le modèle)
- b. Collier de serrage(x1)

SAC DE PIÈCES 2 DU LAVE-VAISSELLE

- c. Plan de montage(x1)
- d. Feuille de protection contre la vapeur(x1)
- e. Bandes de fixation de porte en bois(x2)

SAC DE PIÈCES 3 DU LAVE-VAISSELLE

- f. Vis Ø5/32" x 53/32" (Ø4 mm x 42,5 mm)(x6)
- g. Vis Ø5/32" x 19/32" (Ø4 mm x 15 mm)(x2)
- h. Support de fixation gauche(x1)
- j. Support de fixation droit(x1)
- k. Vis Ø5/32" x 27/32" (Ø4 mm x 21,5 mm)(x2)

SAC DE PIÈCES 4 DU LAVE-VAISSELLE

(Selon le modèle)

- l. Fixation de coup-de-pied(x2)
- m. Vis Ø5/32" x 7/32" (Ø4 mm x 6 mm)(x2)
- n. Métal de fixation plinthe(x4)
- o. Plinthe réglable(x1)
- p. Pièce métallique de plinthe réglable (130 mm) selon le modèle(x1)
- r. Pièce métallique de plinthe réglable (80 mm) selon le modèle(x1)
- s. Blocage de plinthe(x2)

SAC DE PIÈCES 5 DU LAVE-VAISSELLE

INSTALLATION

(Selon le modèle)

- t. Longues jambes(x3)

INSTRUCTIONS DE SÉCURITÉ IMPORTANTES

En plus des instructions ci-dessus, le lave-vaisselle doit être installé :

- conformément à tous les codes locaux ou, en l'absence de code local :
- aux États-Unis, conformément au National Electric Code ;
- au Canada, conformément au Code canadien de l'électricité C22.1-dernière édition/codes provinciaux et municipaux et/ou codes locaux.

Lors de l'installation du lave-vaisselle, suivez les précautions de base, en particulier celles qui sont énoncées ci-après :

- L'installation et la réparation doivent être effectuées par un installateur qualifié. Le travail effectué par des personnes non qualifiées pourrait être dangereux, ce qui aurait pour effet d'annuler la garantie.



NOTE

Le lave-vaisselle doit être installé par un plombier agréé, un prestataire de service ou un installateur qualifié. L'installation effectuée par toute autre personne pourrait comporter des défauts d'installation et entraîner des dommages matériels.

- N'utilisez pas l'appareil s'il est endommagé, défectueux, partiellement démonté ou s'il contient des pièces manquantes ou cassées.
- Avant l'installation ou l'entretien, débranchez l'alimentation de la zone de travail en déconnectant l'appareil, soit en déclenchant le disjoncteur ou en retirant le fusible.
- Ne branchez le lave-vaisselle au bloc d'alimentation que lorsque tous les travaux d'installation et de plomberie sont terminés.
- Le fil de terre ne doit jamais être connecté aux conduites de gaz, d'eau chaude ou de plomberie.
- Si le lave-vaisselle est installé dans un endroit soumis à des températures glaciales (p. ex., maison de vacances, chalet, etc.), vous devez éliminer toute l'eau présente à l'intérieur de l'appareil. Les ruptures provoquées par de l'eau gelée au niveau du système d'alimentation en eau ne sont pas couvertes par la garantie.
- Le lave-vaisselle doit être fixé aux armoires adjacentes à l'aide des supports fournis. Toute omission peut causer des dommages matériels ou des blessures corporelles.
- Le lave-vaisselle est destiné à un usage résidentiel uniquement et ne doit pas être utilisé dans les établissements commerciaux.



NOTE

N'utilisez pas de rallonge électrique ou d'adaptateur portatif de prise pour connecter le lave-vaisselle à un bloc d'alimentation.



MISE EN GARDE

Danger de suffocation ! Assurez-vous que tous les emballages en plastique, sacs, petites pièces, etc., sont éliminés en toute sécurité et tenus hors de portée des enfants.

PRÉPARATION POUR L'INSTALLATION DES SUPPORTS DE MONTAGE

Les supports de montage présents dans le sac plastique doivent être utilisés lorsque le lave-vaisselle est installé à l'intérieur de l'armoire. L'utilisation de pièces autres que les supports de montage peut entraîner des dommages matériels ou des blessures corporelles.



NOTE

L'ouverture à travers la cloison entre les compartiments doit être suffisamment grande pour permettre le passage de la prise d'alimentation. La dimension maximale de l'ouverture ne doit pas dépasser 38,1 mm (1.5")



NOTE

Si la cloison est en bois, les bords de l'armoire doivent être lisses et arrondis ou, si la cloison est en métal, les bords de l'armoire doivent être recouverts d'un protège-arête. Lors de l'installation ou du retrait de l'appareil, veillez à ne pas endommager le cordon d'alimentation.

- 1) Placez les deux supports de montage dans les coins supérieurs du lave-vaisselle.
- 2) Si nécessaire (en fonction du matériau du plan de travail), pliez les côtés des supports de montage.

Si le matériau du plan de travail est en bois, etc. ;

INSTALLATION

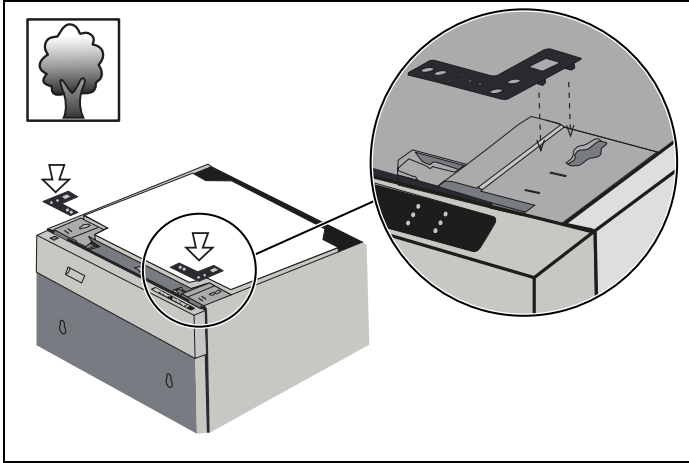


Fig. 11

INSTALLATION

Si le matériau du plan de travail est en céramique, etc. ;

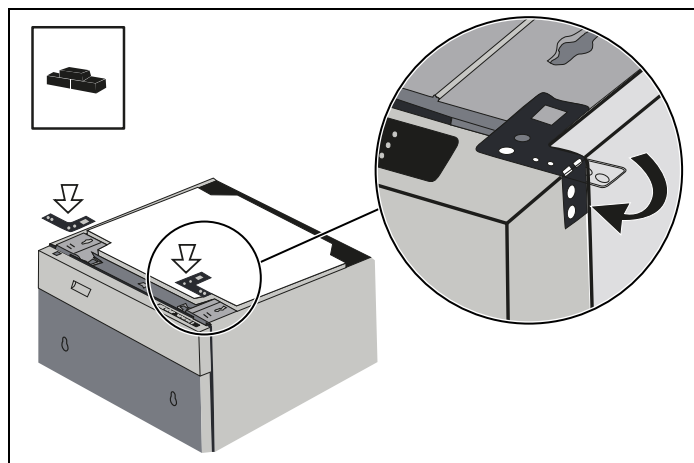


Fig. 12

RÉGLAGE DE LA HAUTEUR

- 1) Maintenez les pieds avant à la hauteur minimale avant et pendant le positionnement du lave-vaisselle dans la découpe de l'armoire.
- 2) Réglez la hauteur du pied avant à l'aide d'un tournevis plat pour stabiliser le lave-vaisselle et le soulever à la hauteur de l'enceinte.
- 3) Réglez la hauteur du pied arrière à l'aide d'un tournevis cruciforme pour équilibrer et soulever le lave-vaisselle à la hauteur de l'enceinte.



NOTE

Assurez-vous que le lave-vaisselle est d'aplomb. Notez qu'il peut y avoir un petit espace entre le dessus du lave-vaisselle et le dessous du plan de travail.

Pour les pieds avant : en tournant les pieds dans le sens des flèches noires à l'aide du tournevis plat, on abaisse les pieds du lave-vaisselle.

Pour les pieds arrière : en tournant le tournevis cruciforme dans le sens des flèches noires, on abaisse les pieds du lave-vaisselle.

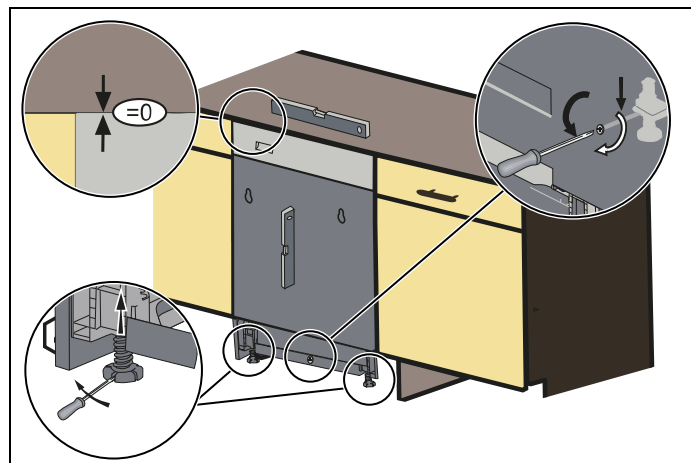


Fig. 13

Si la hauteur de l'enceinte est de 32 7/16" - 34 7/16" (824 mm-874 mm), utilisez des supports courts, comme illustré dans la figure.

ops.(+50) H= 34 7/16" - 36 3/8" (874 mm-924 mm)

Si la hauteur de l'enceinte est supérieure à 34 7/16" (874 mm), utilisez des supports longs, comme illustré dans la figure.

FEUILLE DE PROTECTION CONTRE LA VAPEUR

De la vapeur sera libérée lorsqu'on ouvre la porte du lave-vaisselle pendant son fonctionnement et au terme du cycle de travail. Afin d'éviter que de la vapeur ne s'accumule et n'endommage le dessous du plan de travail, il convient d'utiliser une feuille de protection contre la vapeur incluse dans le sac plastique.

Nettoyez la surface à l'aide d'un chiffon humide avant d'appliquer la feuille de protection contre la vapeur sur la face inférieure du plan de travail.

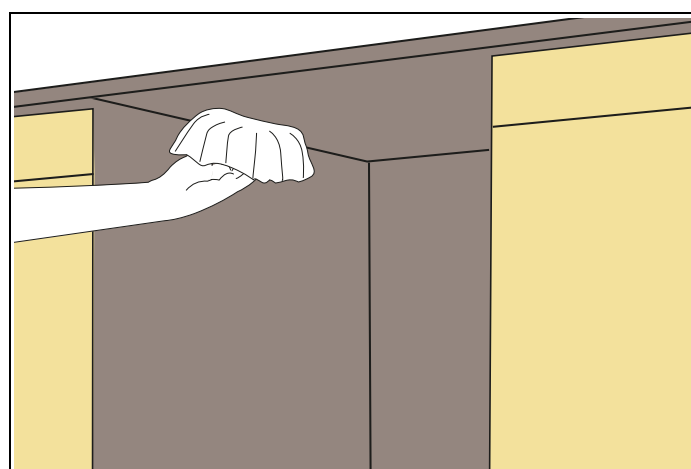


Fig. 14

INSTALLATION

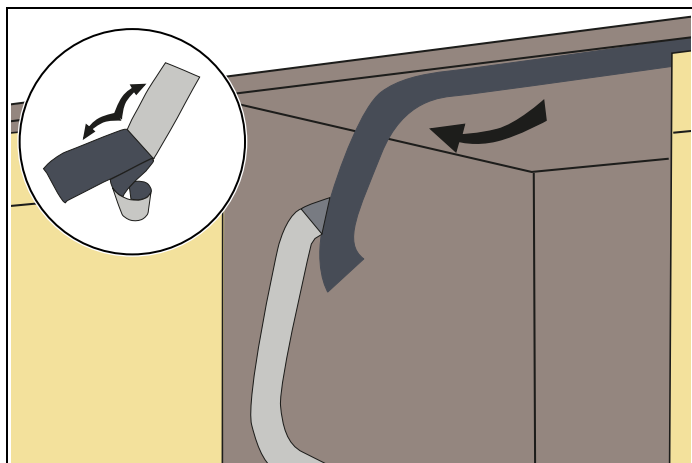


Fig. 15

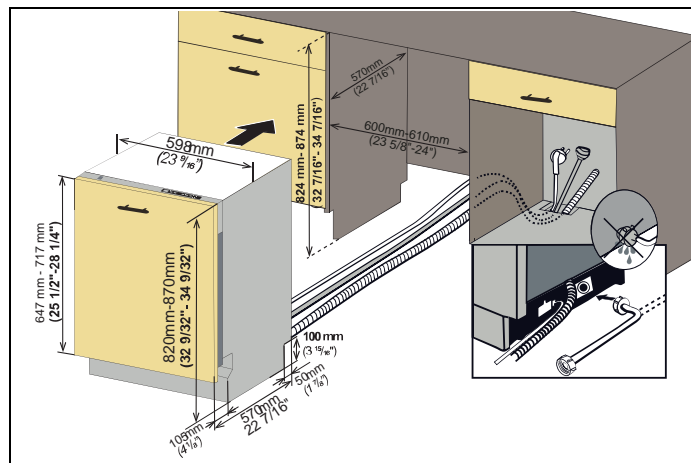


Fig. 17



ATTENTION !

Il faut appliquer la feuille de protection contre la vapeur à l'endroit où de la vapeur s'échappe lors de la première ouverture de la porte. **Si vous omettez d'installer la feuille de protection contre la vapeur au moment de l'installation, cela risque d'endommager les armoires et le plan de travail.**

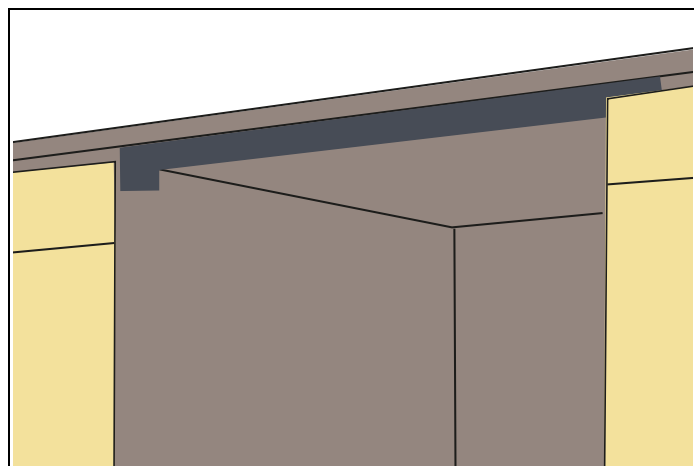


Fig. 16

MISE EN PLACE DU LAVE-VAISSELLE DANS LE MEUBLE D'ENCASTREMENT

Placez maintenant le lave-vaisselle dans l'ouverture et préparez-vous à connecter tous les tuyaux et branchements électriques.



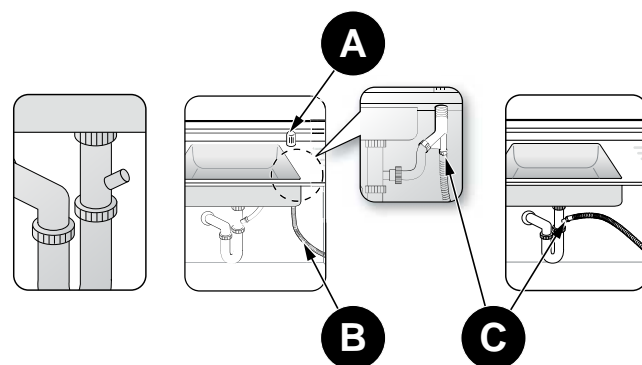
ATTENTION !

Vérifiez que tous les tuyaux ont été introduits à travers l'ouverture latérale de l'armoire, qu'aucun tuyau n'est plié et que tout le mou des flexibles est tiré, comme illustré dans la figure.

RACCORDEMENT DU TUYAU DE VIDANGE

- 1) Vérifiez les pièces présentes sur l'évier auxquelles le tuyau de vidange sera connecté.
- 2) Il existe plusieurs façons d'insérer le tuyau de vidange dans le raccord du tuyau de vidange de l'évier, comme le montrent les figures suivantes. Vous devez raccorder le tuyau de vidange conformément à la réglementation locale en matière d'installation des conduites d'eau.

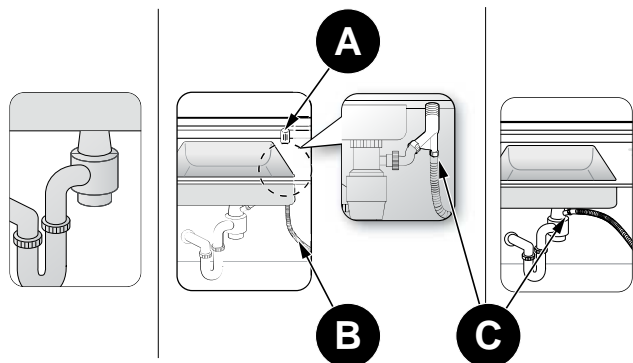
ÉLIMINATION DES DÉCHETS	AVEC DISPOSITIF ANTI-REFOULEMENT	SANS DISPOSITIF ANTI-REFOULEMENT
-------------------------	----------------------------------	----------------------------------



- **A** Dispositif anti-refoulement
- **B** Tuyau de vidange
- **C** Collier de serrage

INSTALLATION

ÉLIMINATION DES DÉCHETS	AVEC DISPOSITIF ANTI- REFOULEMENT	SANS DISPOSITIF ANTI- REFOULEMENT
----------------------------	--	--



- **A** Dispositif anti-refoulement
- **B** Tuyau de vidange
- **C** Collier de serrage

3) Vérifiez la taille du raccord du tuyau de vidange de l'évier. Si nécessaire, coupez le tuyau de vidange de manière à ce que son extrémité s'adapte au connecteur de l'évier (5/8", 3/4" ou 1" - comme illustré dans la Fig. 18). Si l'extrémité du tuyau de vidange ne s'adapte pas au raccord du tuyau de vidange de l'évier, procurez-vous un adaptateur auprès d'un magasin de plomberie ou de quincaillerie.

Au besoin, coupez la ligne pointillée du tuyau de vidange pour l'adapter à la dimension requise.

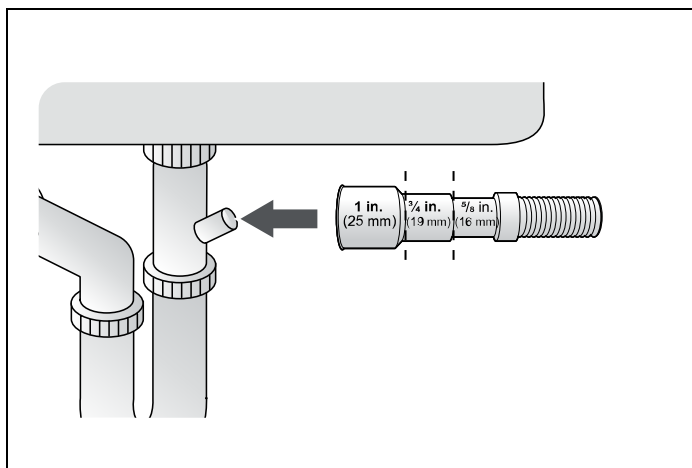


Fig. 18

4) Faites glisser un collier de serrage sur l'extrémité du tuyau de vidange. Fixez le tuyau de vidange au raccord de l'évier, faites glisser le collier de serrage jusqu'à l'extrémité du tuyau, puis serrez le collier de serrage.



NOTE

Utilisez obligatoirement un collier de serrage sous peine de provoquer des fuites d'eau éventuelles.

Utilisez un collier de serrage comme illustré dans la Fig. 19 pour assembler le tuyau de vidange à l'évier.

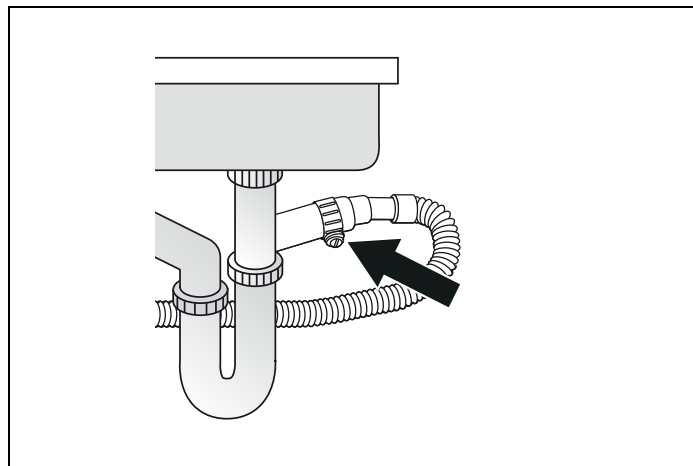


Fig. 19

5) S'il n'y a pas de dispositif anti-refoulement, assurez-vous de suspendre le milieu du tuyau de vidange bien au-dessus de la base du meuble évier pour éviter tout reflux (voir Fig. 20).

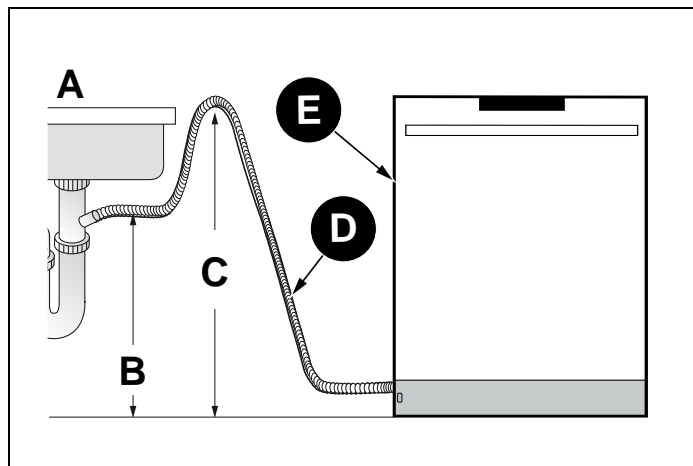


Fig. 20

- **A** Évier
- **B** Min. 20" (508 mm)
- **C** Min. 30" (762 mm)
- **D** Tuyau de vidange
- **E** Lave-vaisselle

6) Lorsque vous percez un trou pour le tuyau de vidange sur la paroi de l'armoire, vérifiez que le tuyau de vidange n'est pas endommagé par les bords tranchants du trou. Sur les parois en bois, poncez le trou pour adoucir les bords. Sur les parois métalliques, utilisez du ruban

INSTALLATION

isolant ou du ruban adhésif pour couvrir les arêtes vives autour du trou.

- 7) Veillez à ne pas endommager le tuyau de vidange lors de l'installation du lave-vaisselle sur le sol, le mur ou l'armoire. Pour éviter toute fuite ou tout problème de drainage, assurez-vous que le tuyau de vidange n'est pas endommagé, plié ou tordu.
 - 8) Ne coupez pas la zone plissée du tuyau de vidange pour l'adapter à la dimension requise. Lors de la mise en place du tuyau de vidange, faites attention de ne pas toucher les bords tranchants de l'armoire ou sous l'évier.
- Soyez prudent lorsque vous coupez l'extrémité du tuyau de vidange car il y a un risque de blessure. Nettoyez autour du raccord de vidange de l'évier afin de ne pas endommager le tuyau. Vérifiez si des corps étrangers sont présents dans le tuyau de vidange et extrayez-les.
 - Au moment d'installer le tuyau de vidange, vérifiez qu'il n'est pas coupé, déchiré ou cassé par des bords coupants présents sur le sol, sur l'appareil ou sur l'armoire. Un tuyau de vidange endommagé est source de fuite.

RÉGLAGE DE LA PLINTHE COUP-DE-PIED AMOVIBLE (SELON LE MODÈLE)

Maintenant que vous avez installé le lave-vaisselle avec succès, vous devez attacher la plinthe coup-de-pied à l'appareil. La plinthe coup-de-pied en deux parties peut être adaptée à la hauteur et à la profondeur requises pour votre cuisine.

1)

- **A.** Si la hauteur est de 32 7/16" à 34 7/16" (824 mm-874 mm) et en utilisant des supports courts : un socle réglable en métal 3 1/8" (80 mm) de longueur (v), et des supports de plinthe coup-de-pied (o) sont installés. Le montage se fait avec des vis 5/32" x 7/32" (4 mm x 6 mm) à l'aide d'un tournevis cruciforme.
- **B.** Si la hauteur est supérieure à 34 7/16" (874 mm) et en utilisant des supports courts : un socle réglable en métal 5 1/8" (130 mm) de longueur (v), et des supports de plinthe coup-de-pied (o) sont installés. Le montage se fait avec des vis 5/32" x 7/32" (4 mm x 6 mm) à l'aide d'un tournevis cruciforme.

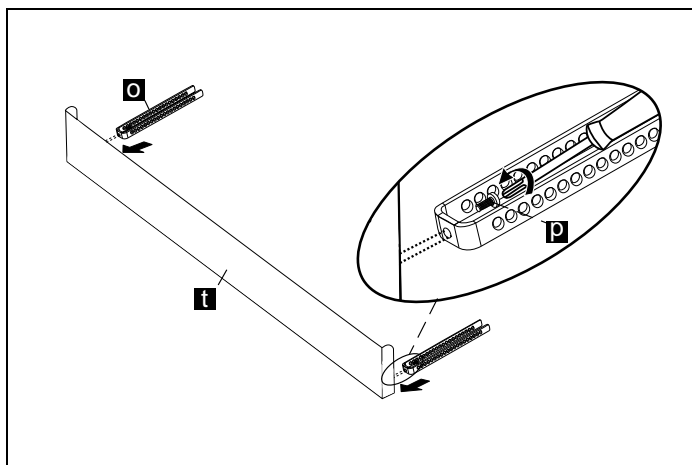


Fig. 21

2) Le numéro du socle réglable est déterminé en fonction de la distance. Le socle est assemblé aux deux supports.

3) Comme illustré dans la Fig. 22, les pieds cylindriques du socle réglable sont fixés aux pièces métalliques de fixation du socle et insérés à travers la cavité de la pièce.

Selon la profondeur souhaitée, le dispositif de blocage du socle (y) est fixé au support de coup-de-pied (o).

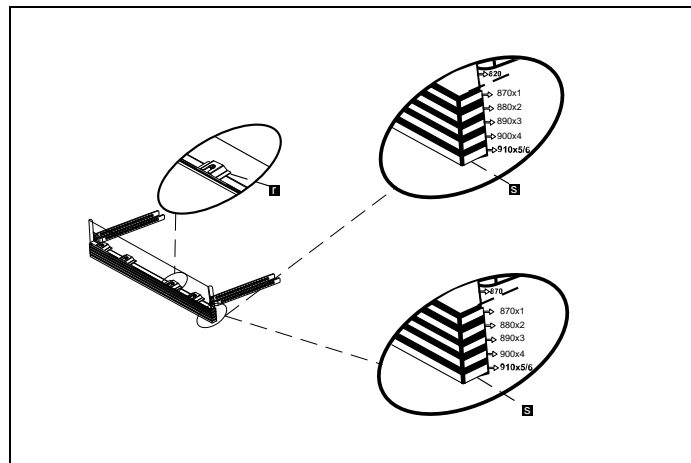


Fig. 22

4) Enfin, des supports coup-de-pied (o) sont fixés aux espaces présents sous la machine. L'installation est à présent terminée.

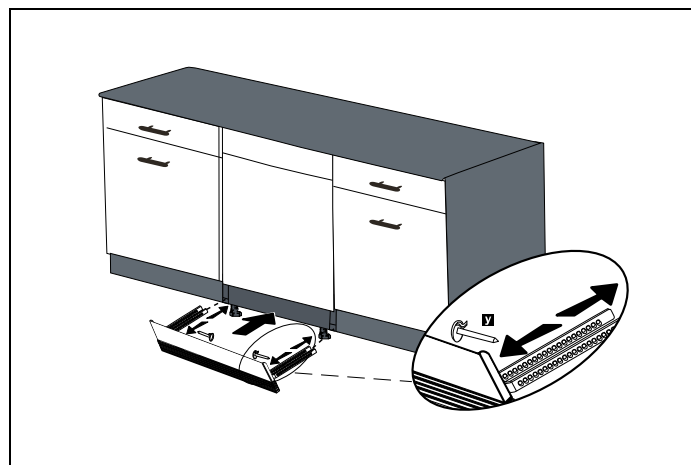


Fig. 23

INSTALLATION DE LA PORTE EXTÉRIEURE (SELON LE MODÈLE)

Comme illustré dans la Fig. 24, vous devez mesurer la hauteur et la profondeur de l'armoire pour déterminer les dimensions de la porte extérieure.

1) Le gabarit de montage se trouve dans le sac plastique fixé à l'intérieur de la porte du lave-vaisselle.

INSTALLATION

NOTE



Lors de la fixation du gabarit de montage, assurez-vous que le gabarit adhère à l'intérieur de la porte. Lorsque l'assemblage est terminé, le gabarit de montage doit rester droit sur la porte extérieure.

- 2) Comme illustré dans la Fig. 24, le trou de vis est ouvert sur la porte extérieure à partir des points indiqués sur le gabarit de montage. Diamètre du foret : 5/64" (2 mm) Profondeur du foret : 15/32" (12 mm)

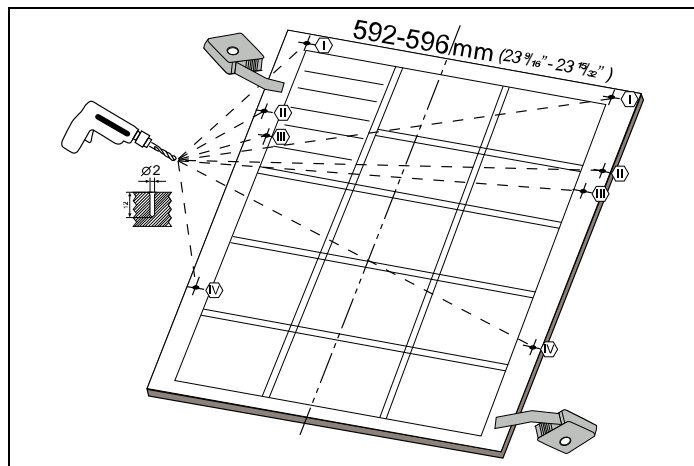


Fig. 24

- 3) Comme illustré dans la figure Fig. 25, des vis Ø5/32" x 27/32" (4mm x 21,5mm) sont installées aux positions III.

- 4) Comme illustré dans la Fig. 25, des bandes de fixation de porte en bois sont installées dans les positions indiquées sur la figure.

NOTE



Avant de monter les bandes de fixation de porte en bois, retirez les papiers blancs de la surface des deux côtés.

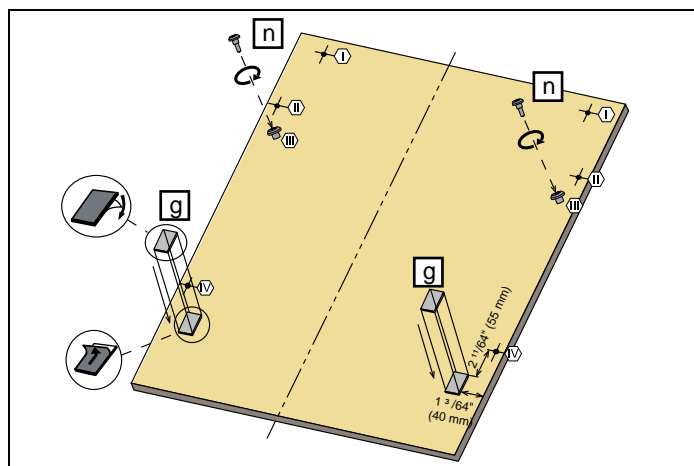


Fig. 25

- 5) Avant de monter la porte en bois sur le lave-vaisselle, installez la poignée sur la porte en bois comme illustré dans la Fig. 26.

- 6) Les vis situées sur la porte en bois sont fixées sur le lave-vaisselle au niveau des sorties situées sur la feuille extérieure de la porte et sont assemblées comme indiqué dans la Fig. 27.

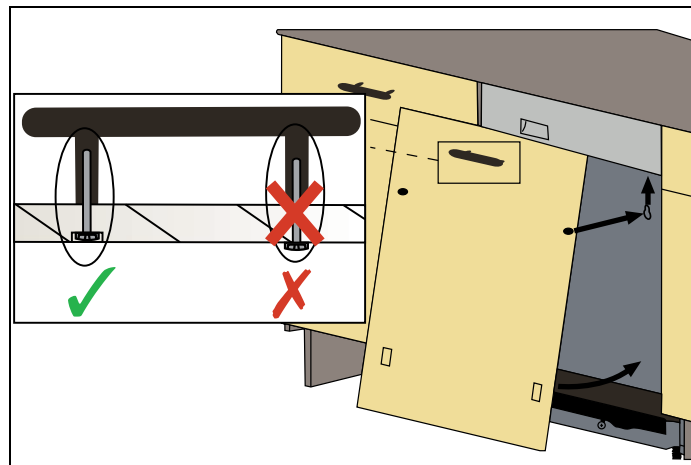


Fig. 26

- 7) Comme illustré dans la figure Fig. 27, des vis Ø5/32" x 53/32" (Ø4 mm x 42,5 mm) sont installées aux positions I, III et V.

NOTE



Avant d'installer les vis Ø5/32" x 53/32" (Ø4 mm x 42,5mm), les vis situées aux positions I, III et V doivent être déposées.

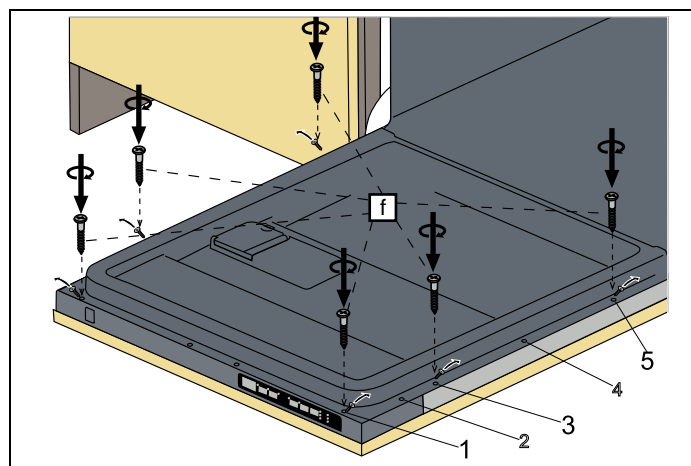


Fig. 27

- 8) Selon le poids de la porte en bois assemblée, l'équilibrage doit être assuré par le mécanisme indiqué dans la Fig. 28.

- Si la porte en bois a tendance à s'ouvrir parce que les ressorts de charnière sont réglés pour un panneau personnalisé plus lourd, le mécanisme doit être tourné dans la direction de la flèche blanche avec un tournevis cruciforme.

INSTALLATION

- Si la porte en bois a tendance à se fermer parce que les ressorts de charnière sont réglés pour un panneau personnalisé plus léger, le mécanisme doit être tourné dans la direction de la flèche blanche avec un tournevis cruciforme.



NOTE

Le diamètre minimum du tournevis cruciforme est de 15/64" (6 mm) pour cette application.

- 9) Après avoir équilibré la porte, des cache-trous sont collés sur les trous vides afin de fermer ceux-ci.

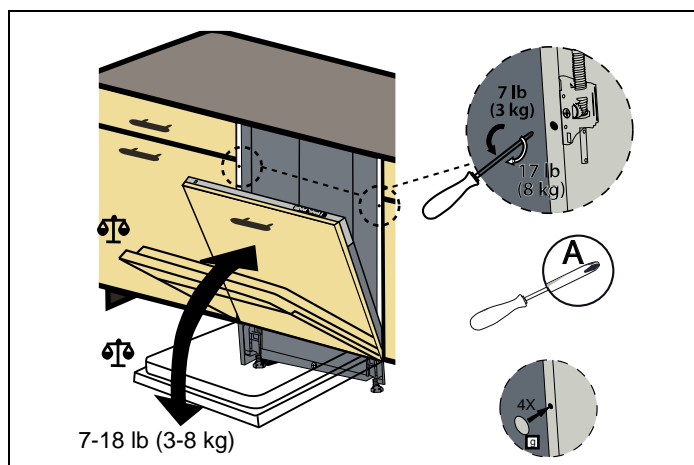


Fig. 28

- 10) Les supports de montage préalablement fixés au lave-vaisselle sont également fixés à l'armoire avec des vis Ø5/32" x 19/32" (Ø4 mm x 15 mm).

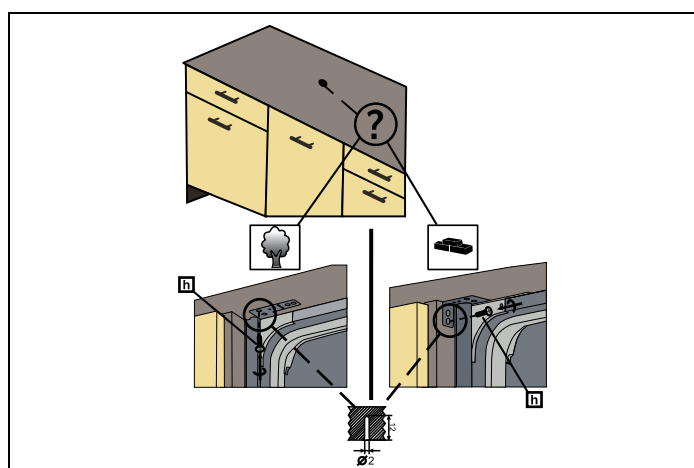


Fig. 29

- 11) Vérifiez si le bas de la porte heurte le socle cou-de-pied de l'armoire de cuisine.
- Si tel est le cas, coupez la section requise du socle coup-de-pied.
 - Appliquez du silicone ou un produit d'étanchéité sur le bord coupé du socle coup-de-pied de l'armoire de cuisine, ou peignez-le pour qu'il n'absorbe pas l'humidité.

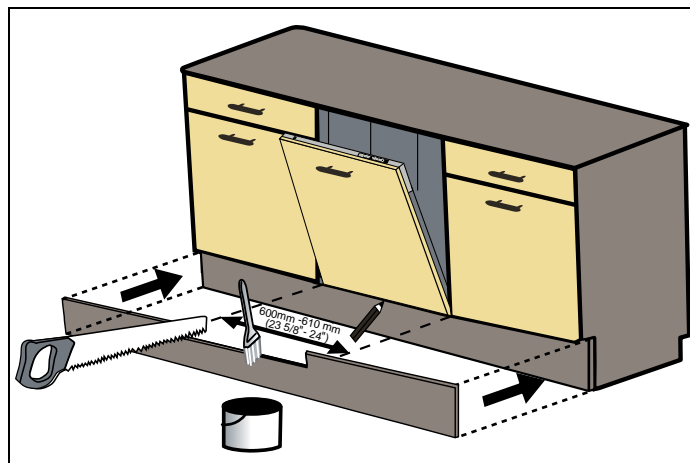


Fig. 30

LISTE DE CONTRÔLE DE L'INSTALLATEUR

Votre installateur doit avoir effectué et vérifié les éléments suivants :

- Le lave-vaisselle est d'équerre et de niveau.
- Le lave-vaisselle est solidement fixé à l'armoire.
- La porte du lave-vaisselle s'ouvre et se ferme librement. La porte du lave-vaisselle doit se fermer sans heurter l'armoire ou le plan de travail.
- L'alimentation en eau est activée et vérifiée pour détecter toute fuite éventuelle.
- Le tuyau de vidange a été raccordé et testé pour détecter toute fuite éventuelle. Le tuyau de vidange ne doit pas présenter de torsions ni d'obstructions.
- Le tuyau de vidange doit être installé avec une boucle de vidange haute de 30" (762 mm) pour les raccordements de vidange sans aucune évacuation de l'air.
- Si vous connectez le tuyau de vidange d'eau à un embout de siphon sous l'évier, retirez la membrane en plastique. Si vous n'enlevez pas toute la membrane, les résidus de nourriture pourraient causer un blocage dans le robinet du tuyau de drainage. Vérifiez qu'un collier de serrage est utilisé pour fixer le tuyau au robinet.
- Les bras d'aspersion sont libres et tournent librement.
- Le cycle de rinçage a été exécuté.
- Le niveau d'eau sera inférieur à l'écran du filtre une fois le programme de lavage terminé. Il est normal que de l'eau soit présente dans la zone du filtre de drainage.

INSTALLATION

INSTRUCTIONS FINALES

- 1) Appuyez sur le bouton On/Off pour allumer le lave-vaisselle.
- 2) Le voyant d'alimentation s'allume.
- 3) Utilisez le bouton Sélectionner un programme pour choisir un programme de lavage.
- 4) Démarrez le programme avec le bouton Démarrer/Pause/Annuler.
- 5) Effectuez un cycle de lavage complet. Lorsque le cycle de lavage est terminé, utilisez le bouton On/Off pour éteindre le lave-vaisselle.

NOTE



Si le lave-vaisselle ne fonctionne pas correctement, consultez les Conseils d'auto-assistance

CONSEILS D'AUTO-ASSISTANCE

L'écran ne s'allume pas :

- Vérifiez que l'interrupteur du lave-vaisselle est placé sur ON (Marche).
- Vérifiez que le cordon d'alimentation est branché.

L'eau n'entre pas dans le lave-vaisselle :

- Vérifiez que le robinet d'arrêt d'eau est en position ON (Ouvert).

L'eau n'est pas vidangée :

- Assurez-vous que le tuyau de vidange n'est pas plié ou ne dépasse pas le dispositif de refoulement à côté de l'évier.
- Dégagez le tuyau de vidange du broyeur d'évier et vérifiez que le bouchon est retiré.

NOTE



Si votre lave-vaisselle ne fonctionne pas correctement après avoir suivi ces étapes : Contactez votre concessionnaire pour programmer un rendez-vous avec un agent de service autorisé, afin d'inspecter votre nouveau lave-vaisselle pour toute défaillance liée au fonctionnement.

La garantie du fabricant ne couvre pas les visites d'installation, de conversion ou de service de formation client.

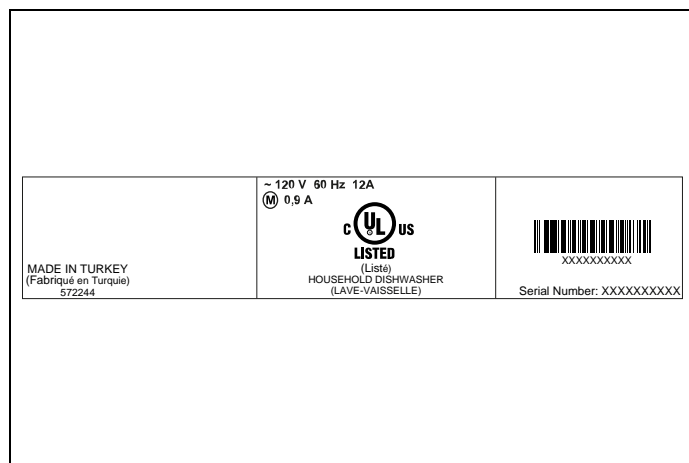


Fig. 31

Vous trouverez les informations sur le modèle et le numéro de série sur l'étiquette située sur le côté droit de la porte intérieure de votre lave-vaisselle, comme indiqué ci-dessus.

NOTE



Veillez faire une copie de votre facture et la conserver avec ce manuel, et enregistrer votre lave-vaisselle en ligne.

UTILISATION

PREMIÈRES ÉTAPES

PRÉPARATION DU LAVE-VAISSELLE AVANT LA PREMIÈRE UTILISATION

- Assurez-vous que les spécifications d'électricité et de l'eau d'alimentation correspondent aux valeurs indiquées dans les instructions d'installation de la machine.
- Retirez tout le matériel d'emballage présent à l'intérieur de la machine.
- Réglez le niveau de l'adoucisseur d'eau conformément aux instructions de ce manuel (selon le modèle).
- Réglez le dosage du liquide de rinçage conformément aux instructions de ce manuel.

RÉGLAGE DE L'ADOUCISSEUR D'EAU (SELON LE MODÈLE)

Le lave-vaisselle a besoin d'eau douce pour de bons résultats de nettoyage. L'eau dure entraîne une accumulation de dépôts de calcaire sur la vaisselle et dans le lave-vaisselle. Votre lave-vaisselle dispose d'un système d'adoucissement spécial pour éliminer la dureté de l'eau du robinet. Le réglage correct de ce système augmentera l'efficacité du lavage.

Les réserves d'eau avec un niveau de dureté supérieur à 5 gpg (9° f) doivent être adoucies.

Si le niveau de dureté de l'eau que vous utilisez est supérieur à 53 gpg (90° f) ou si vous utilisez de l'eau de puits, nous vous recommandons d'utiliser un filtre et des dispositifs de purification de l'eau.

Le lave-vaisselle est préréglé au niveau 1 (inactif) de dureté de l'eau. Si ce réglage correspond à la dureté de votre eau, vous n'avez rien d'autre à faire. Le lave-vaisselle doit être programmé pour la dureté de l'eau de votre région.

Pour connaître le niveau de dureté de l'eau de votre région, contactez votre service local des eaux ou déterminez le niveau de dureté de l'eau à l'aide de la bandelette de test fournie.



MISE EN GARDE

Si vous déménagez à un autre endroit, le niveau de dureté de l'eau pourrait être différent. Il est essentiel de réinitialiser la dureté de l'eau afin d'obtenir une efficacité de lavage optimale.

Suivez les étapes de l'image lorsque vous utilisez la bandelette de test.

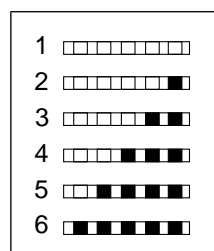
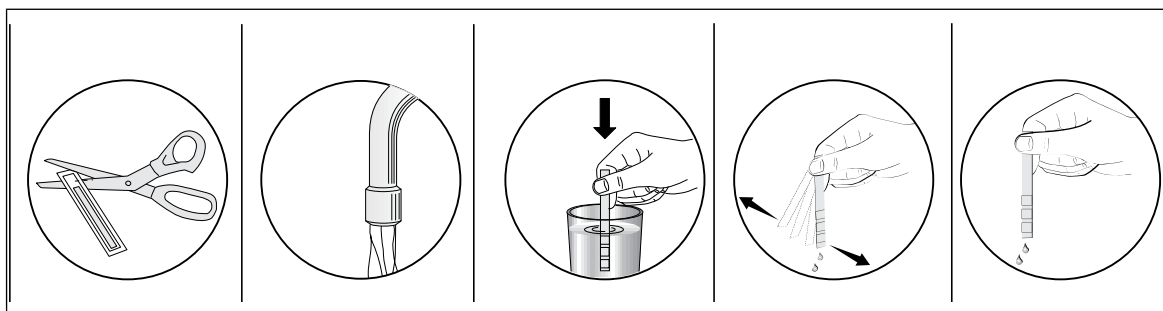
Ouvrez le robinet et faites couler l'eau pendant 1 minute.

Laissez la bandelette dans l'eau pendant 1 seconde.

Secouez la bandelette.

Attendez 1 minute.

Réglez le niveau de dureté de votre machine.



NOTE

Le niveau est défini sur 1 par défaut. Si vous utilisez de l'eau provenant d'un puits ou ayant un niveau de dureté supérieur à 90 dF, nous recommandons d'utiliser des dispositifs de filtration et d'épuration.

UTILISATION

TABLEAU DE DURETÉ DE L'EAU

Niveau à bulle	Grains par gallon	Degré français	Indicateur
1	0-5 gpg	0-9	SL1 s'affiche à l'écran.
2	6-12 gpg	10-20	SL2 s'affiche à l'écran.
3	13-18 gpg	21-30	SL3 s'affiche à l'écran.
4	19-23 gpg	31-40	SL4 s'affiche à l'écran.
5	24-32 gpg	41-60	SL5 s'affiche à l'écran.
6	33-53 gpg	61-90	SL6 s'affiche à l'écran.

Ajustez le réglage de la dureté de l'eau de votre machine en fonction du niveau spécifié sur la bandelette de test (si disponible).

Pour modifier le niveau de dureté de l'eau, suivez les étapes ci-dessous :

- 1) Allumez la machine et appuyez sur le bouton Extra sec pendant 3 secondes pour entrer dans le menu Paramètres : le niveau de dureté de l'eau s'affiche à l'écran (SL1 correspond au réglage d'usine).
- 2) Appuyez une fois sur le bouton Demi-charge et le niveau de dureté de l'eau (par ex. SL1) commencera à clignoter.
- 3) Modifiez le niveau de dureté de l'eau en appuyant sur les boutons Départ différé.
- 4) Appuyez à nouveau sur le bouton Demi-charge pour sauvegarder le niveau souhaité : le niveau nouvellement sélectionné cessera de clignoter.
- 5) Quittez le menu des paramètres en appuyant sur le bouton Extra sec pendant 3 secondes ou éteignez l'appareil.



MISE EN GARDE

Pour que le système d'adoucissement de l'eau fonctionne correctement, le réservoir à sel doit être rempli de sel pour lave-vaisselle avant le premier lavage. Voir les instructions au chapitre relatif au distributeur de sel.

DISPOSITION DE LA VAISSELLE

En plaçant correctement votre vaisselle dans la machine, vous l'utiliserez de la meilleure façon en termes de consommation d'énergie, de lavage et de séchage.

Dans le panier inférieur, vous pouvez charger des articles ronds et profonds tels que poêles à long manche, couvercles de casseroles, assiettes, assiettes à salade, ensembles de couverts/d'ustensiles. Le panier supérieur a été conçu pour les assiettes à dessert, les saladiers, les tasses et les verres. Lorsque vous placez des verres à longue tige et des gobelets, appuyez-les contre le bord du panier, de la grille ou du support à verres, et non contre d'autres articles. N'appuyez pas les verres à longue tige les uns contre les autres car ils pourraient se cogner et se briser. Il est recommandé de placer les pièces étroites et délicates dans les sections centrales des paniers. Vous pouvez placer des cuillères au milieu d'autres groupes de couverts afin d'éviter qu'ils ne collent les uns aux autres.

Nous vous recommandons d'utiliser la grille à couverts pour de meilleurs résultats. Pour éviter d'éventuelles blessures, placez toujours les ustensiles à long manche et pointus, tels que fourchettes de service, couteaux à pain, etc., avec leurs pointes tranchantes tournées vers le bas ou horizontalement sur les paniers.



MISE EN GARDE

Disposez les plats dans la machine de façon à ce qu'ils n'entravent pas la rotation des bras d'aspersion.



MISE EN GARDE

Ne mettez pas dans l'appareil des articles pouvant absorber de l'eau (éponges, torchons).



NOTE

Placez tous les contenants tels que tasses, verres et casseroles dans le lave-vaisselle avec l'ouverture vers le bas (afin qu'ils ne puissent pas recueillir d'eau).



NOTE

La vaisselle et les couverts ne doivent pas être superposés.

UTILISATION



NOTE

Évitez de surcharger votre lave-vaisselle et observez les instructions du fabricant en ce qui concerne les pièces pouvant être lavées en machine. Ce n'est qu'avec une vaisselle appropriée (mentionnée au chapitre 5) que vous obtiendrez des résultats de lavage optimaux avec une utilisation judicieuse de l'énergie.

L'eau à haute température et le détergent pour lave-vaisselle peuvent former une synthèse chimique susceptible d'endommager certains articles.



MISE EN GARDE

Soyez prudent lorsque vous chargez et déchargez des objets tranchants. Chargez les couteaux tranchants avec les poignées vers le haut pour réduire le risque de blessure.

Suivez les étapes ci-dessous avant de charger le lave-vaisselle.

- 1) Ouvrez la porte.
- 2) Éliminer tous les résidus d'aliments présents sur la vaisselle.
- 3) Chargez le lave-vaisselle.



NOTE

Si vous ouvrez la porte alors que l'appareil est en marche, toutes les fonctions sont automatiquement interrompues. Les fonctions sont réactivées dès que la porte est refermée.

PANIER SUPÉRIEUR

Chargez le panier supérieur avec des assiettes à dessert, des tasses, des verres, etc.

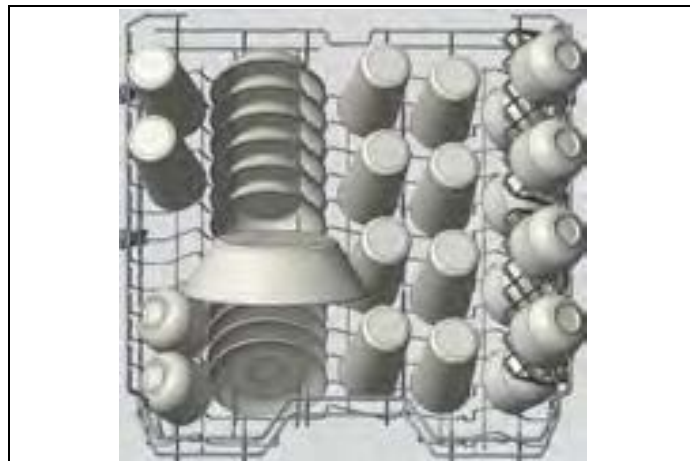


Fig. 32

Modèle de chargement du panier supérieur pour 10 couverts.

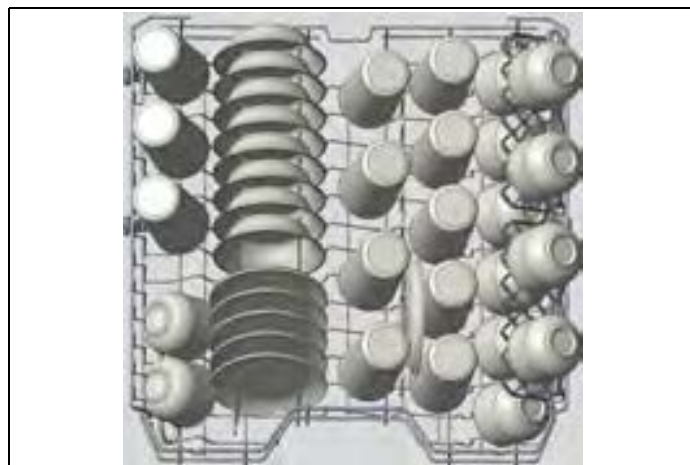


Fig. 33

Modèle de chargement supplémentaire pour 12 couverts.

PANIER INFÉRIEUR

Dans le panier inférieur, vous pouvez charger des articles ronds et profonds tels que poêles à long manche, couvercles de casseroles, assiettes, assiettes à salade, ensembles de couverts/d'ustensiles. Le panier inférieur ne doit pas être utilisé pour de petits objets tels que tasses et verres à vin.

UTILISATION

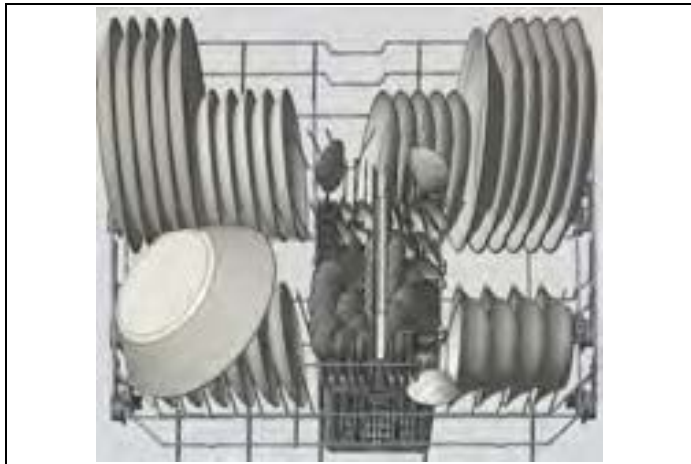


Fig. 34

Modèle de chargement du panier inférieur pour 10 couverts.



Fig. 35

Modèle de chargement supplémentaire pour 12 couverts.



NOTE

Placez tous les articles volumineux et très sales dans le panier inférieur.



MISE EN GARDE

Les grands couteaux et autres ustensiles à pointe et à bord tranchants doivent être placés horizontalement sur le support supérieur en raison du risque de blessure. Les autres couteaux plus petits et ustensiles tranchants doivent être placés dans le panier à couverts avec la pointe orientée vers le bas.



NOTE

Vérifiez que les gros articles n'interfèrent pas avec la rotation des bras d'aspersion et n'empêchent pas le distributeur de détergent de s'ouvrir.

TROISIÈME PANIER (SELON LE MODÈLE)

Les couverts doivent être placés dans la grille à couverts, séparés les uns des autres, dans les positions appropriées. Vérifiez que les ustensiles ne s'imbriquent pas les uns dans les autres, car cela pourrait nuire aux performances. Pour un nettoyage de qualité supérieure, placez les couverts dans le panier en vous assurant que :

- Ils ne s'imbriquent pas les uns dans les autres.
- Chargez les ustensiles à bout pointu et tranchant avec la pointe tournée vers le bas.
- Les ustensiles longs sont placés au milieu.

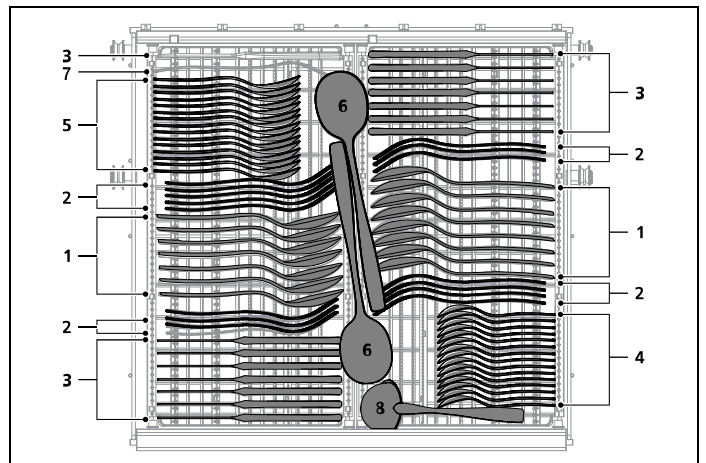


Fig. 36

- 1) Cuillères à soupe
- 2) Fourchettes
- 3) Couteaux
- 4) Cuillères à café
- 5) Cuillères à dessert
- 6) Cuillères de service
- 7) Fourchettes de service
- 8) Louche à sauce

UTILISATION

PANIER À COUVERTS (SELON LE MODÈLE)

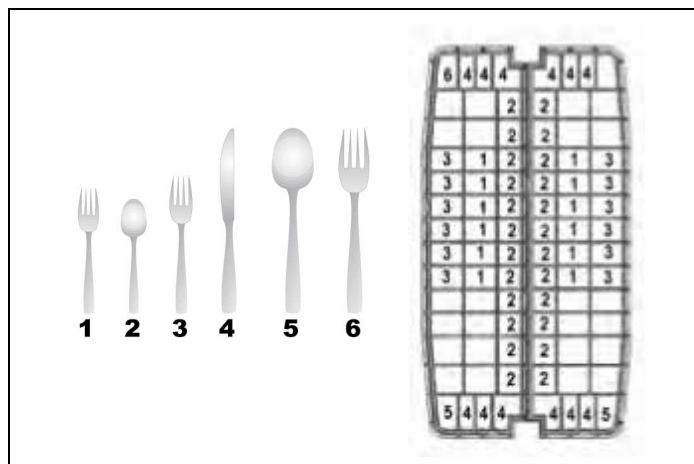


Fig. 37

- 1) Fourchettes à salade
- 2) Cuillères à café
- 3) Fourchettes
- 4) Couteaux
- 5) Cuillères de service
- 6) Fourchettes de service

Modèle de panier à couverts pour 12 couverts.



MISE EN GARDE

Les couverts tranchants peuvent changer de position pendant le cycle de lavage et peuvent également être mouillés et glissants. Soyez prudent au moment de les enlever pour éviter tout risque de blessure.



NOTE

Les petits articles doivent donc être placés dans le plateau à couverts ou le panier à couverts (selon le modèle), car ils peuvent tomber des paniers à travers les supports.

CHARGEMENTS INCORRECTS

Un chargement incorrect peut entraîner de mauvaises performances de lavage et de séchage. Veuillez suivre les recommandations du fabricant pour de bons résultats.

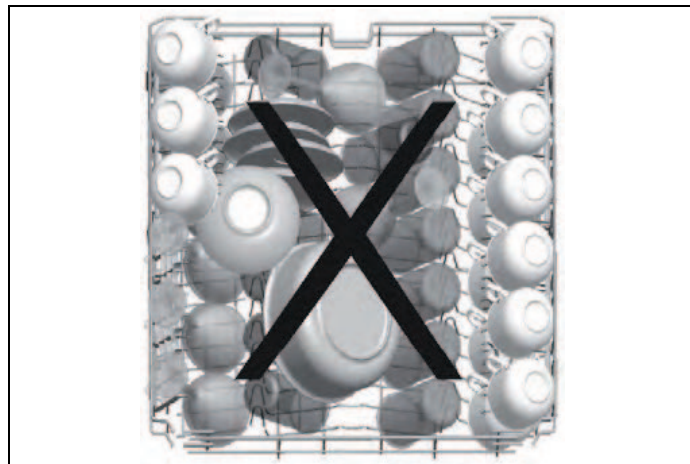


Fig. 38

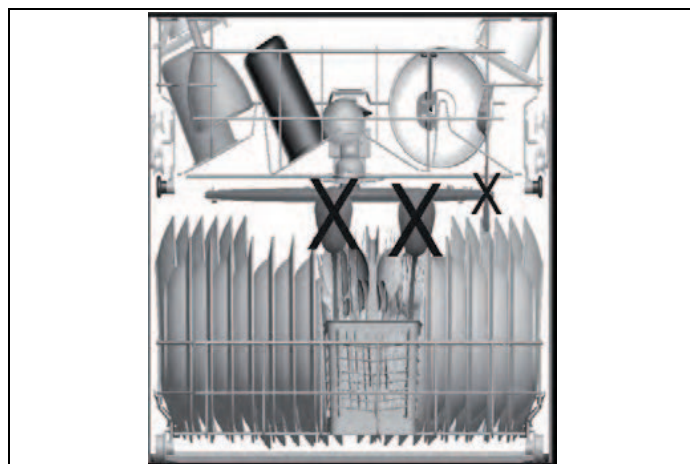


Fig. 39



Fig. 40

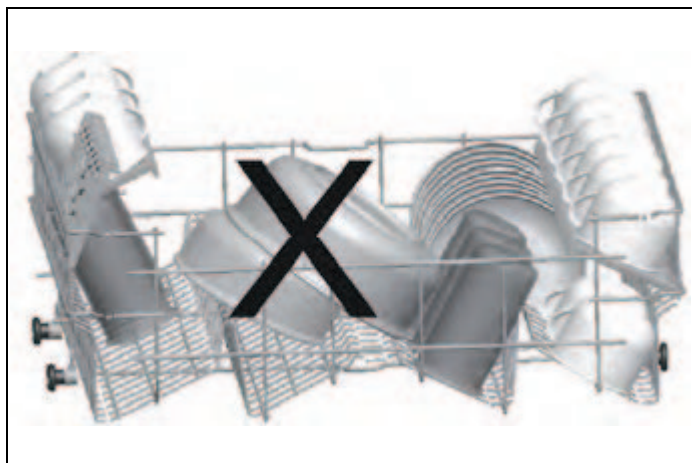


Fig. 41

QU'EST-CE QUI NE DOIT PAS ÊTRE LAVÉ DANS VOTRE LAVE-VAISSELLE ?

- Tous les articles à placer dans le lave-vaisselle doivent être lavables au lave-vaisselle.
- Seuls les articles en plastique portant l'étiquette « lavable au lave-vaisselle » ou une étiquette équivalente peuvent être placés dans la machine. Les articles en plastique peuvent perdre leur forme ou leur couleur. Vérifiez auprès du fabricant pour obtenir des recommandations.
- Tous les articles en bois, ou comprenant des pièces en bois, ne doivent pas être lavés au lave-vaisselle. Les températures élevées peuvent faire gonfler ou fissurer le bois.
- Les articles en argent sans étiquette « lavable au lave-vaisselle » ne doivent pas être lavés au lave-vaisselle, car les températures élevées et le détergent peuvent endommager l'argent. Vérifiez auprès du fabricant pour obtenir des recommandations.
- Les articles en argent « lavables au lave-vaisselle » et les articles en acier inoxydable ne doivent pas entrer en contact, car l'argent peut se décolorer.
- La porcelaine et les verres décorés et les ustensiles peints à la main peuvent perdre leur couleur et leurs motifs en raison des températures élevées. Les articles non décorés peuvent être lavés au lave-vaisselle. Vérifiez auprès du fabricant pour obtenir des recommandations.
- L'aluminium peut devenir sombre à l'intérieur du lave-vaisselle en raison de la chaleur, du détergent utilisé ou même de certains minéraux présents dans votre eau.
- Ne lavez pas les éponges ou les torchons au lave-vaisselle.
- Ne lavez aucun matériau tel que l'acrylique, le cuivre, le laiton, l'étain, le fer, le bronze ou fer-blanc.
- Les casseroles sans revêtement antiadhésif peuvent être nettoyées en toute sécurité au lave-vaisselle, mais certaines casseroles et poêles antiadhésives peuvent perdre leur revêtement et leur capacité d'adhérence.

- La vaisselle ou les couverts constitués d'éléments collés ne doivent pas être lavés en machine, car la colle qui unit des matériaux tels que plastique, bois, os, acier, cuivre, étain, etc., peut perdre de son adhérence et les éléments risquent de se détacher.

Si vous avez des doutes concernant les articles à laver au lave-vaisselle, suivez les instructions des fabricants des articles ou lavez les articles à la main.



MISE EN GARDE

En cas de doute, lavez à la main ou suivez les instructions du fabricant des ustensiles, de la vaisselle, des verres ou des casseroles et poêles. Ne lavez pas en machine des articles souillés par de la cendre de cigarette, de la cire de bougie, du vernis, de la peinture ou des produits chimiques, car ils peuvent endommager le lave-vaisselle.



MISE EN GARDE

Videz d'abord le panier inférieur, puis le panier supérieur. Cela évitera que l'eau éventuellement présente dans/sur des articles rangés dans le panier supérieur ne coule sur la vaisselle rangée dans le panier inférieur.



MISE EN GARDE

En général, il n'est pas conseillé d'ouvrir la porte lorsque le lave-vaisselle est en marche. Si la porte est ouverte, un dispositif de sécurité arrête le lave-vaisselle. Il est conseillé d'ouvrir la porte avec prudence immédiatement après un cycle de lavage, car de la vapeur peut s'échapper de la cuve.

RACKS

DENTS PLIABLES RÉGLABLES ET ÉTAGÈRES DU PANIER SUPÉRIEUR

Les étagères sont conçues pour augmenter la capacité du panier supérieur. Vous pouvez y placer des tasses et des verres. Ces étagères étant réglables en hauteur, il vous est possible d'y ranger des verres de différentes tailles.

Elles comportent deux positions disponibles.

Vous pouvez également placer de longs couteaux, des fourchettes et des cuillères sur les étagères à l'horizontal afin qu'ils ne bloquent pas le mouvement des bras d'aspersion.

UTILISATION

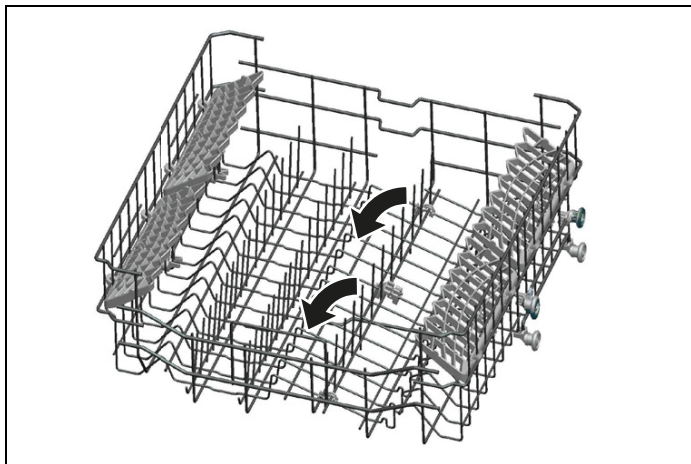


Fig. 42

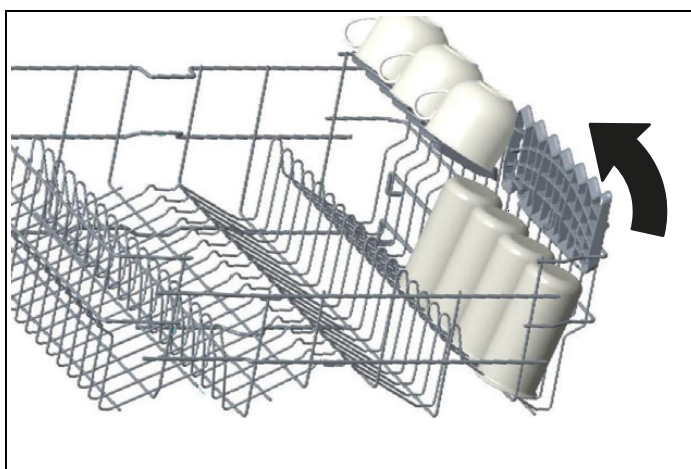


Fig. 43

La grille horizontale située sur le panier supérieur vous permet de placer des assiettes et des bols, le cas échéant. Vous pouvez également laver des ustensiles de cuisine tels que casseroles ou poêles en fermant les dents pliables.

NOTE



Amener les grilles en position horizontale en les tenant par les extrémités peut avoir pour effet de les plier. Pour ce faire, il est conseillé de les tenir au niveau de leurs tiges, puis de les pousser.

NOTE



Vérifiez que les deux leviers s'encliquètent dans la même position de hauteur.

DENTS PLIABLES DU PANIER INFÉRIEUR

Les dents pliables se composent de quatre éléments situés sur le panier inférieur de votre machine et sont conçues pour faciliter le rangement de gros articles tels que casseroles, poêles, etc. Si nécessaire, chaque pièce peut être pliée séparément, ou toutes peuvent être pliées afin

d'obtenir de plus grands espaces. Vous pouvez utiliser des dents pliables en les soulevant vers le haut ou en les pliant.

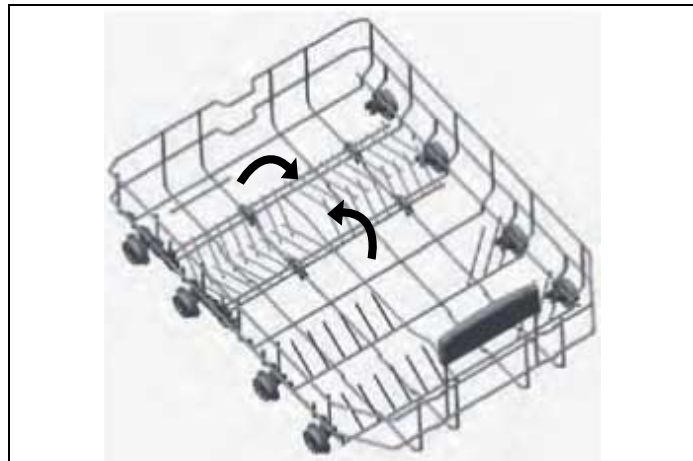


Fig. 44

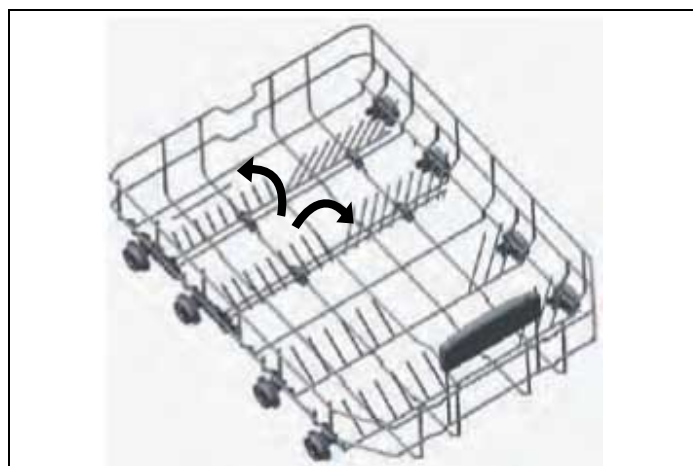


Fig. 45

PANIER À COUVERTS (SELON LE MODÈLE)

- Le panier à couverts est conçu pour laver les couteaux, les fourchettes, les cuillères, etc.
- Selon le modèle acheté, vous pouvez avoir un panier coulissant, ou un panier standard.

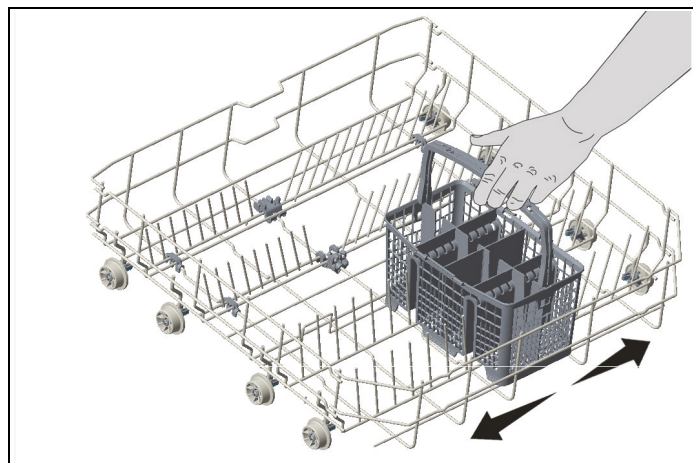


Fig. 46

UTILISATION

1) Réglage de la hauteur avec charge (selon modèle)

Le panier supérieur comprend un mécanisme qui permet de régler la hauteur du panier vers le haut (1) ou vers le bas (2) sans avoir à retirer le panier. Tenez le panier des deux côtés et tirez-le vers le haut ou poussez-le vers le bas, en vous vérifiant que les deux côtés du panier supérieur sont dans la même position.

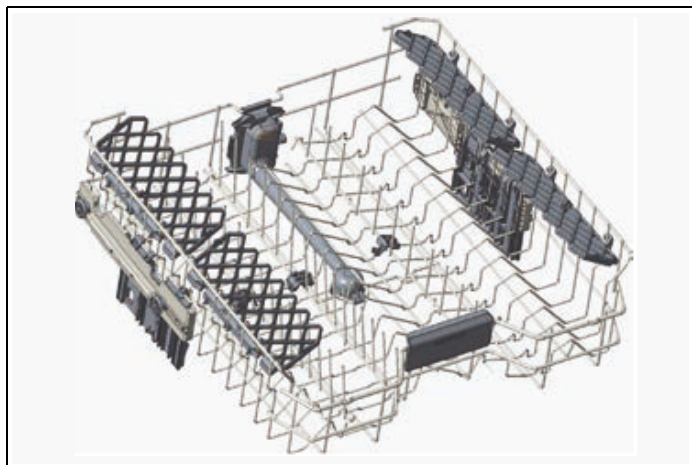


Fig. 47



Fig. 48

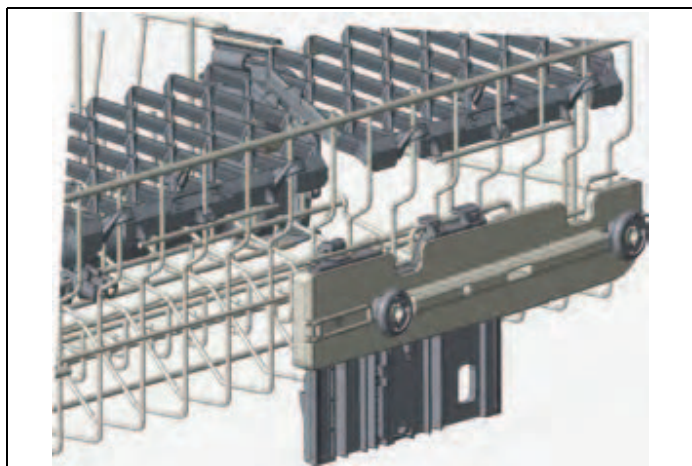


Fig. 49

2) Réglage de la hauteur sans charge (selon le modèle)

Dans certains modèles, le réglage de la hauteur du panier supérieur peut être modifié à l'aide des roues présentes à deux niveaux de hauteur.



ATTENTION !

Assurez-vous que le panier est vide. Modifier le réglage de la hauteur avec de la vaisselle présente sur le panier pourrait entraîner le déplacement du contenu, et occasionner des blessures corporelles ou endommager la vaisselle.

- Relâchez les loquets des rails droit et gauche du panier supérieur en les tournant vers l'extérieur, A.

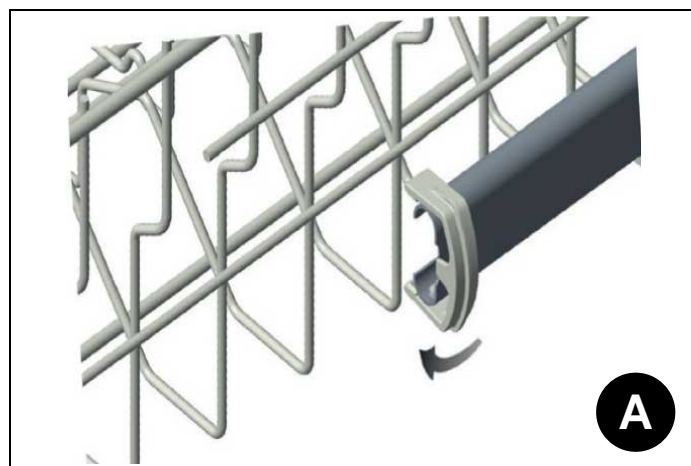


Fig. 50

- Retirez complètement le panier, B.

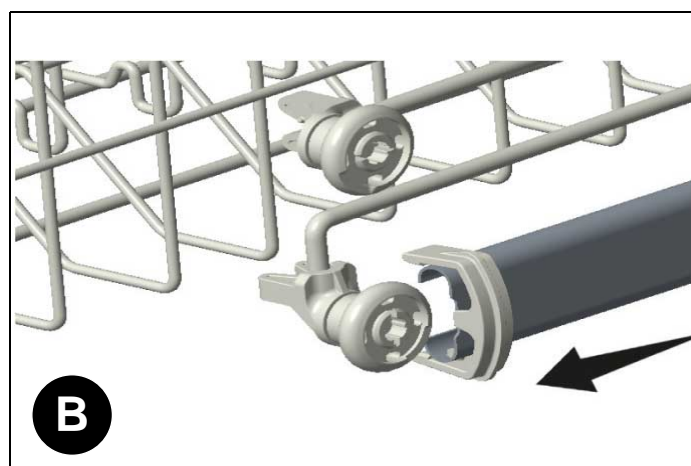


Fig. 51

UTILISATION

- Remplacez le panier dans les rails à la hauteur souhaitée, C.

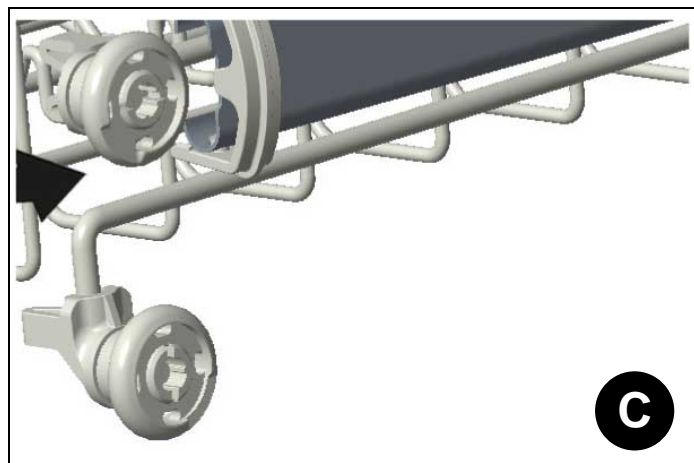


Fig. 52

- Repoussez les loquets dans la bonne position.

SUPPORT À BOUTEILLES (SELON LE MODÈLE)

Le support à bouteilles permet de laver de grands récipients ouverts, tels que bols, casseroles ou Tupperware, ainsi que des objets de grande taille, tels que des pichets. Le support à bouteilles peut être dégagé dans le sens de la flèche, comme indiqué ci-dessous.

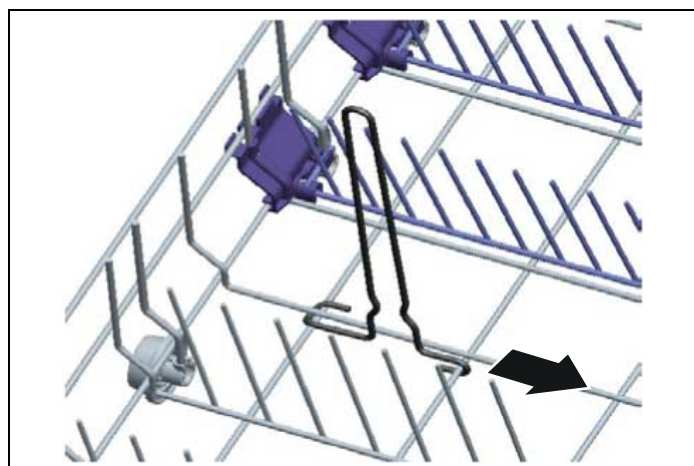


Fig. 53

SUPPORT À PLATEAUX (SELON MODÈLE)

Le support à plateaux vous permet de placer facilement des plateaux et des casseroles de différentes tailles dans le panier inférieur et offre les meilleures performances de lavage.

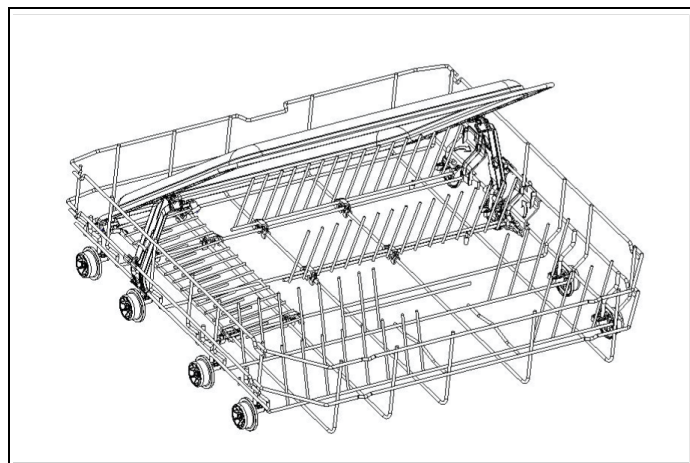


Fig. 54

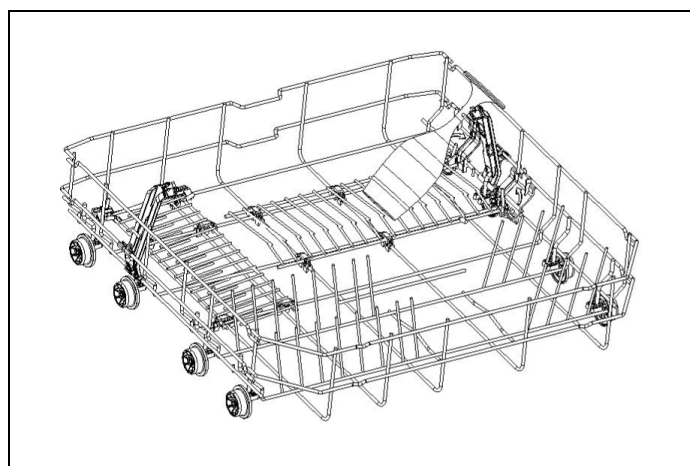


Fig. 55

ZONE DE LAVAGE DIRECT (SELON LE MODÈLE)

Cette fonction est utilisée pour laver des verres, des bouteilles et autres articles en dirigeant l'eau vers le haut lorsque le dispositif du panier supérieur illustré dans la figure est en position verticale. Lorsque le dispositif est en position horizontale, l'eau descend, ce qui permet de laver le panier inférieur.

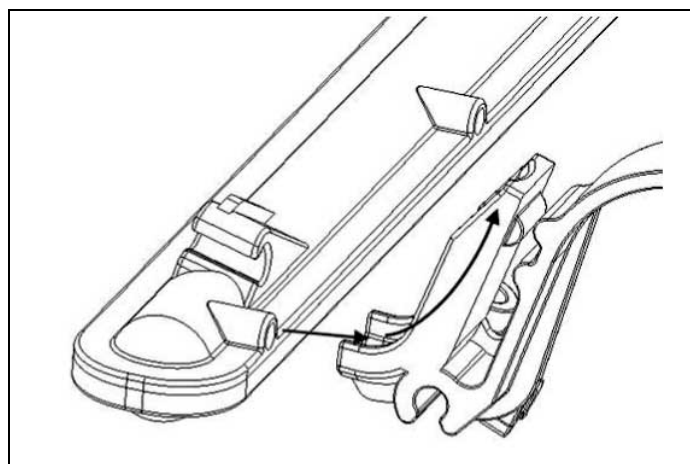


Fig. 56

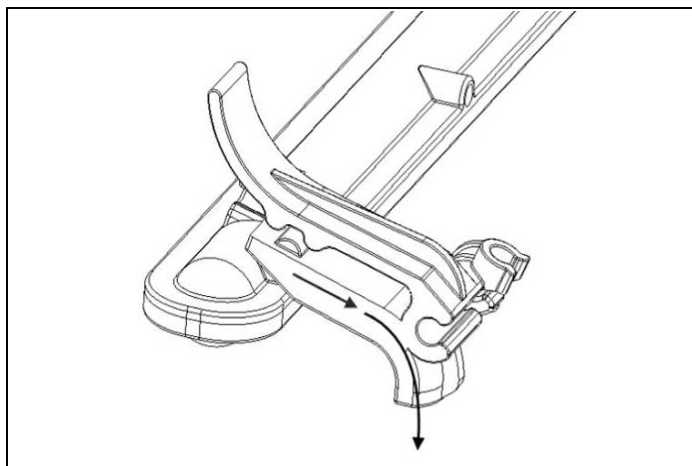


Fig. 57



Fig. 60

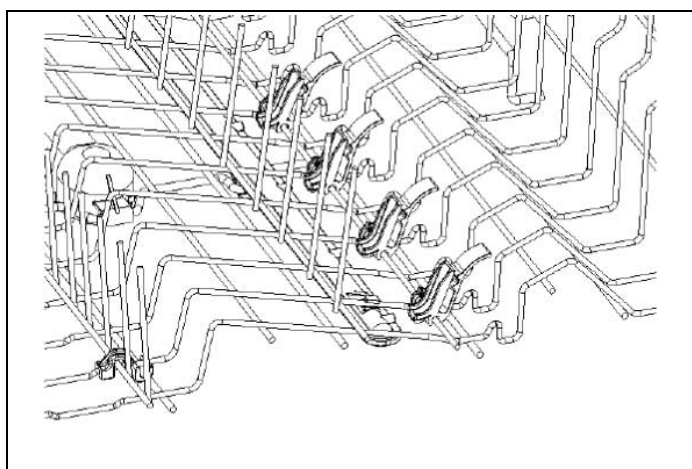


Fig. 58



Fig. 61

SUPPORT DE PORTE-VERRES À PIED (SELON MODÈLE)

Dépliez le support à verres à pied avant de le placer sur le panier inférieur du lave-vaisselle.

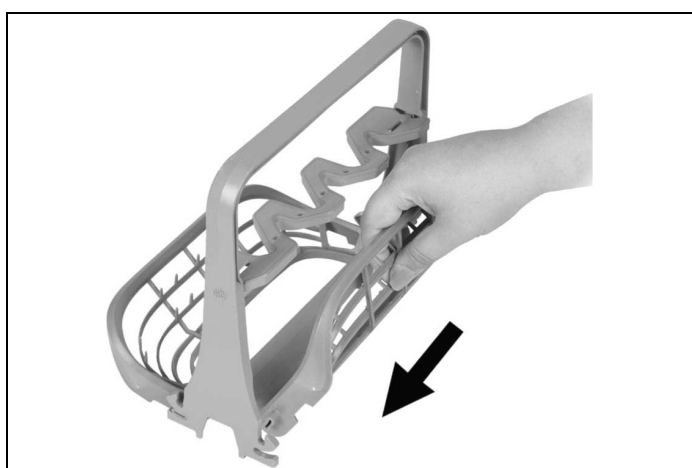


Fig. 59

Les côtés du support à verres à pied peuvent être repliés de manière à rendre l'accessoire plus compact pour le stockage lorsqu'il n'est pas nécessaire.

FONCTIONNEMENT

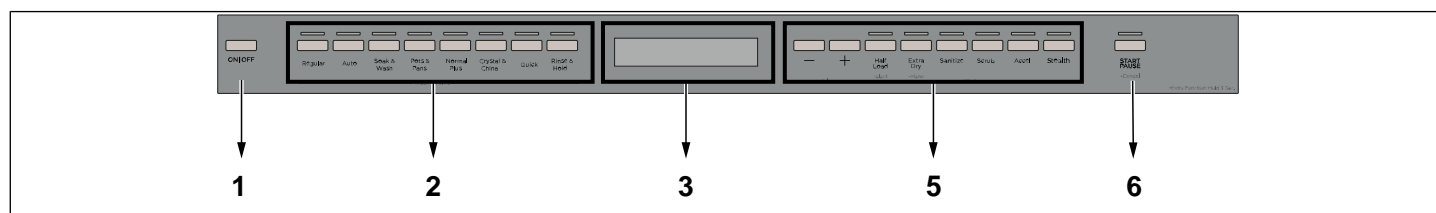


Fig. 62

- 1) Bouton Marche/Arrêt (On/Off)
- 2) Boutons des cycles
- 3) Afficheur
- 4) Départ différé
- 5) Boutons des options
- 6) Bouton Départ/Pause

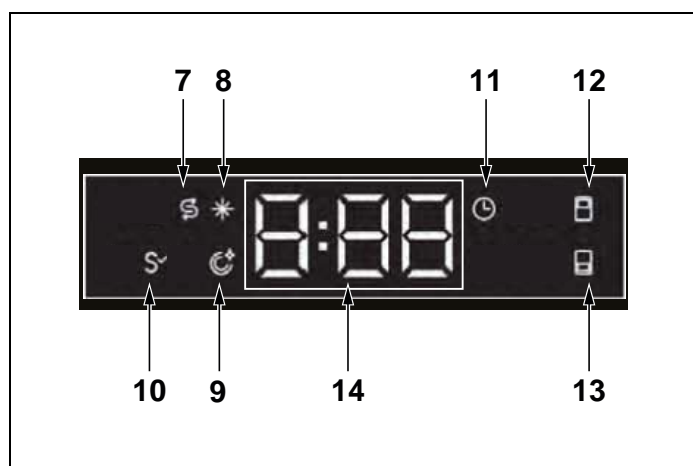


Fig. 63

- 7) Indicateur de sel (selon le modèle)
- 8) Indicateur du Liquide de rinçage
- 9) Indicateur de fin de phase
- 10) Indicateur d'Hygiénisation
- 11) Indicateur de Départ différé
- 12) Indicateur de Demi-charge Panier supérieur
- 13) Indicateur de Demi-charge Panier inférieur
- 14) Indicateur de Durée du programme

CYCLES DE LAVAGE

Réglage d'un cycle de lavage :

- 1) Appuyez sur le bouton pour sélectionner le cycle de lavage souhaité. La durée du cycle s'affiche à l'écran en alternance avec le numéro du cycle.
- 2) Appuyez sur « Départ/Pause » et fermez la porte dans les 4 secondes qui suivent. Le cycle démarre juste après.

NOTE



Pour incorporer une option de cycle au cycle de lavage, sélectionnez le bouton d'option souhaité avant d'appuyer sur Départ. Voir Options de cycle.

Modification d'un cycle :

Pour modifier le cycle de lavage pendant que le lave-vaisselle fonctionne, ouvrez la porte et appuyez sur la touche Départ/Pause. Sélectionnez un nouveau cycle, puis appuyez sur le bouton Départ/Pause. Après avoir fermé la porte dans les 4 secondes, le nouveau cycle sélectionné reprendra là où le cycle précédent a été interrompu.

Annulation d'un cycle :

Pour annuler un programme pendant que le lave-vaisselle fonctionne, ouvrez la porte, appuyez sur le bouton Départ/Pause et maintenez-le enfoncé pendant 3 secondes. "0:01" s'affiche à l'écran. Appuyez sur le bouton Départ/Pause et fermez la porte dans les 4 secondes qui suivent. Le processus d'évacuation de l'eau démarre et durera 30 secondes. Un signal sonore retentit 5 fois.

Extinction du lave-vaisselle :

« 0 » s'affiche à l'écran lorsque le programme sélectionné est terminé. Le signal sonore retentit également 5 fois. Vous pouvez ensuite éteindre votre appareil à l'aide du bouton Marche/Arrêt. Débranchez la fiche et fermez le robinet d'eau.

NOTE



Si la porte de la machine est ouverte ou si l'alimentation est coupée pendant qu'un cycle est en cours, le programme reprendra lorsque la porte est refermée ou que le courant revient.

NOTE



Si l'alimentation est coupée pendant le processus de séchage, le programme se terminera. Votre machine sera prête pour une nouvelle sélection de programme.

UTILISATION

CYCLES DE LAVAGE

CYCLE	DESCRIPTION	DURÉE DU CYCLE	CONSOMMATION D'EAU	DÉTERGENT*	OPTIONS
Niveau de salissure normal	Pour la vaisselle normalement sale dans un usage quotidien typique. Le temps de lavage s'ajuste automatiquement en fonction du degré de salissure de la vaisselle. Consommation d'énergie et d'eau la plus faible.	2:02 à 2:25	3,0 gal	1 3/4 c. à soupe (25 ml)	Demi-charge, hygiène, rapide, extra sec, intensif, dép. différé, SilencePlus
Auto	Pour tous les niveaux de salissure. S'ajuste automatiquement de façon optimale à la température de l'eau et à la consommation d'eau.	1:50 à 2:35	3,7 à 6,2 gal	1 3/4 c. à soupe (25 ml)	Demi-charge, hygiène, rapide, extra sec, intensif, dép. différé, SilencePlus
Casserolles et poêles	Pour les casseroles, poêles et cocottes très sales. Augmente le temps de lavage, la température et la consommation d'eau	02:10	4,8 gal	1 3/4 c. à soupe (25 ml)	Demi-charge, hygiène, rapide, extra sec, intensif, dép. différé, SilencePlus
Verres et vaisselle de porcelaine	Pour la vaisselle délicate, sensible à la température et légèrement sale.	01:30	3,7 gal	1 c. à soupe (15 ml)	Demi-charge, rapide, extra-sec, dép. différé, SilencePlus
Rapide	Pour la vaisselle légèrement sale. Réduit la durée générale du cycle de lavage.	50'	3,6 gal	1 3/4 c. à soupe (25 ml)	Demi-charge, hygiène, extra sec, intensif, dép. différé
Rinse & Hold	Pour tous les niveaux de salissure. Pour rincer de la vaisselle qui sera lavée plus tard.	15'	1,2 gal	Non	Demi-charge, dép. différé
Trempage & Lavage**	Pour faire tremper de la vaisselle très sale qui ne doit pas être lavée tout de suite. Augmente considérablement le temps de lavage et augmente légèrement la température et la consommation d'eau.	02:45	5,9 gal	1 3/4 c. à soupe (25 ml)	Demi-charge, hygiène, rapide, extra sec, intensif, dép. différé, SilencePlus
Normal Plus**	Pour la vaisselle quotidienne normalement sale.	01:57	4,7 gal	1 3/4 c. à soupe (25 ml)	Demi-charge, hygiène, rapide, extra sec, intensif, dép. différé, SilencePlus

**Selon le modèle.



NOTE

Plus de détergent peut être nécessaire, selon le degré de saleté et la dureté de l'eau.

La capsule de détergent peut contenir un maximum de 2 3/4 c. à soupe (40 ml) de détergent.

*Détergent en poudre.

UTILISATION

ORGANIGRAMME DES CYCLES DE LAVAGE

RINSE & HOLD	PRÉLAVAGE	x	x	x	x	x	
Verres et vaisselle de porcelaine	Prélavage	Lavage principal 113°F (45°C)	x	x		Rinçage à l'eau chaude séchage 140°F (60°C)	Séchage
Niveau de salissure normal	Prélavage 95°F (35°C)	Lavage principal 131°F (55°C)	Rinçage	x		Rinçage à l'eau chaude séchage 149°F (65°C)	Séchage
Normal Plus	Prélavage	Lavage principal 140°F (60°C)	Rinçage	x		Rinçage à l'eau chaude séchage 149°F (65°C)	Séchage
Rapide	x	Lavage principal 122°F (50°C)	Rinçage	x		Rinçage à l'eau chaude séchage 149°F (65°C)	x
Casseroles et poêles	Prélavage 113°F (45°C)	Lavage principal 149°F (65°C)	Rinçage	x		Rinçage à l'eau chaude séchage 68°C)	Séchage
Soak & Wash	Prélavage 113°F (45°C)	Lavage principal 149°F (65°C)	Rinçage	Rinçage intermédiaire 140°F (60°C)		Rinçage à l'eau chaude séchage 155°F (68°C)	Séchage
Auto	Prélavage 104°F (40°C)	Lavage principal 149°F (65°C)	Rinçage	Rinçage intermédiaire		Rinçage à l'eau chaude séchage 155°F (68°C)	Séchage

OPTIONS DE LAVAGE

OPTION	DESCRIPTION	ACTIVATION
Demi-charge	Orienté les fonctions de lavage vers le panier supérieur, le panier inférieur ou les deux. Raccourcit le temps de lavage du cycle sélectionné et réduit la consommation d'énergie et d'eau.	Appuyez 1 fois sur le bouton Demi-charge pour activer la demi-charge du panier supérieur, 2 fois pour activer la demi-charge sur le panier inférieur, ou 3 fois pour activer l'option Demi-charge sur les paniers supérieur et inférieur. L'indicateur correspondant s'affichera également à l'écran. Appuyez sur le bouton « Départ/ Pause » et fermez la porte dans les 4 secondes qui suivent pour activer l'option.
Hygiénisation ¹	Assure une hygiène maximale avec une température plus élevée de l'eau de rinçage pour éliminer les bactéries jusqu'à 99,9 %.	Appuyez sur la touche Hygiénisation jusqu'à ce que la LED s'allume. L'indicateur correspondant s'affichera également à l'écran. Appuyez sur le bouton « Départ/ Pause » et fermez la porte dans les 4 secondes qui suivent pour activer l'option.
Lavage intensif	Augmente le temps de lavage et la température de l'eau pour atteindre des conditions de lavage optimales et dissoudre parfaitement le détergent.	Appuyez la touche Lavage intensif jusqu'à ce que la LED s'allume. L'indicateur correspondant s'affichera également à l'écran. Appuyez sur le bouton « Départ/ Pause » et fermez la porte dans les 4 secondes qui suivent pour activer l'option.

UTILISATION

OPTION	DESCRIPTION	ACTIVATION
Extra sec	Ajoute des phases de chauffage et de séchage supplémentaires au cycle de lavage sélectionné pour obtenir une vaisselle parfaitement sèche. Augmente la température de l'eau de rinçage et prolonge le temps de séchage.	Appuyez sur le bouton Extra sec jusqu'à ce que la LED s'allume. L'indicateur correspondant s'affichera également à l'écran. Appuyez sur le bouton « Départ/Pause » et fermez la porte dans les 4 secondes qui suivent pour activer l'option.
Départ différé	Retarde le début du cycle de lavage sélectionné de 1 à 24 heures par incréments de 1 heure.	Appuyez sur la touche "+" pour retarder le départ du cycle de 1 heure. L'écran affichera la durée du cycle et le temps de retard programmé alternativement pendant 2 secondes. Continuez à appuyer sur la touche "+" jusqu'à ce que vous atteignez le nombre d'heures souhaité pour le départ différé. Appuyez sur la touche "-" pour réduire le nombre d'heures du départ différé. L'indicateur correspondant s'affichera également à l'écran. Appuyez sur le bouton « Départ/Pause » et fermez la porte dans les 4 secondes qui suivent pour activer l'option.
Rapide ^{2*}	Réduit la durée du cycle en réduisant la consommation d'eau.	Appuyez sur la touche Rapide jusqu'à ce que la LED s'allume. L'indicateur correspondant s'affichera également à l'écran. Appuyez sur le bouton « Départ/Pause » et fermez la porte dans les 4 secondes qui suivent pour activer l'option.
SilencePlus*	Réduit le niveau sonore en 2 dB augmentant la durée de lavage du cycle sélectionné.	Appuyez sur la touche SilencePlus jusqu'à ce que la LED s'allume. L'indicateur correspondant s'affichera également à l'écran. Appuyez sur le bouton « Départ/Pause » et fermez la porte dans les 4 secondes qui suivent pour activer l'option.

*Selon le modèle

1Hygiénisation conformément à la norme internationale 184 NSF/ANSI pour les lave-vaisselle résidentiels.

2La réduction du temps de cycle influe sur les performances de séchage.

PARAMÈTRES DU MENU

Appuyez sur le bouton Extra sec (6) pendant 3 secondes pour accéder au menu. Le réglage de la dureté de l'eau (par ex. SL1) s'affiche à l'écran. Appuyez sur les boutons Départ différé (4) pour naviguer dans le menu. Ensuite, appuyez sur le bouton Demi-charge (5) pour entrer les niveaux du paramètre que vous souhaitez modifier dans le menu. À présent, l'affichage (3) commence à clignoter, ce qui signifie que ce paramètre peut être modifié en appuyant sur les boutons Départ différé (4). Définissez le nouveau niveau à l'aide des boutons Départ différé (4) et appuyez sur le bouton Demi-charge (5) pour enregistrer le nouveau niveau. Ensuite, l'affichage (3) s'allumera régulièrement, ce qui signifie que ce niveau de réglage est sauvegardé. Vous pouvez modifier un autre paramètre en suivant ces étapes ou quitter le menu en appuyant sur le bouton Extra sec (6) pendant 3 secondes, ou en désactivant/activant.

Non	RÉGLAGE	OPTIONS	DESCRIP-TION
1	Dureté de l'eau	SL1	Régler le niveau de dureté de l'eau.
		SL2	
		SL3*	
		SL4	
		SL5	
		SL6	
2	Liquide de rinçage	r:1	Régler la quantité de liquide de rinçage.
		r:2	
		r:3	
		r:4*	
		r:5	
3	Commande de l'avertisseur sonore	b:0	Régler le niveau de l'avertisseur sonore.
		b:1	
		b:2	
		b:3*	

UTILISATION

Non	RÉGLAGE	OPTIONS	DESCRIP-TION
4	Démarrer un programme	LP0*	Régler un programme de défaut lorsque l'appareil est mis sous tension.
		LP1	
5	Mode Économie d'énergie	SP0	Régler le Mode Économie d'énergie.
		SP1*	
		SP2	
6	Réglages d'usine	FS0*	Restaurer les paramètres d'usine après modification des réglages.
		FS1	

*Réglage par défaut

1) Dureté de l'eau

Pour modifier la dureté de l'eau, reportez-vous au paragraphe *TABLEAU DE DURETÉ DE L'EAU*.

2) Liquide de rinçage

Pour modifier le réglage du liquide de rinçage, reportez-vous au paragraphe *UTILISATION DU LIQUIDE DE RINÇAGE*.

3) Commande de l'avertisseur sonore

Pour modifier la commande de l'avertisseur sonore, reportez-vous au chapitre "Paramètres du menu". Le niveau "b:3" correspond au niveau sonore le plus élevé. Le niveau "b:0" signifie que le son est coupé.

4) Démarrer un programme

Pour modifier la sélection du programme de démarrage, voir « Paramètres du menu ». Au niveau « LP0 », la machine s'allume avec le programme Éco. Au niveau « LP1 », la machine s'allume avec le dernier programme et option sélectionnés.

5) Mode Économie d'énergie

Pour modifier le paramètre du mode d'économie d'énergie, reportez-vous à la section « Paramètres du menu ». Au niveau « SP0 », les lumières intérieures (si disponibles) seront toujours éteintes, l'écran s'éteindra après 4 minutes et la machine s'éteindra après 15 minutes d'inactivité afin d'économiser de l'énergie. Au niveau « SP1 », les lumières intérieures s'éteindront après 4 minutes lorsque la porte sera ouverte, l'écran s'éteindra après 4 minutes et la machine s'éteindra après 15 minutes d'inactivité afin d'économiser de l'énergie. Au niveau « SP2 », lorsque la machine est en position éteinte, les lumières intérieures s'éteignent après 4 minutes lorsque la porte est ouverte. Lorsque la machine est en position ON, les lumières intérieures sont allumées tant que la porte reste ouverte et la machine ne s'éteint qu'en appuyant sur le bouton Marche/Arrêt.

6) Réglages d'usine

Pour modifier les paramètres d'usine, voir « Paramètres du menu ». Si vous modifiez le niveau en « FS1 » dans les paramètres d'usine, tous les paramètres reviennent au paramètre par défaut.

UTILISATION

VOYANTS

Votre lave-vaisselle est équipé d'une lumière LED interne et/ou d'un éclairage d'état de projection au sol.

Ce dernier est positionné sur la partie inférieure du lave-vaisselle et projette de la lumière sur le sol pour indiquer l'état actuel du lave-vaisselle pendant un cycle.

INDICATEUR LED	ÉTAT DE LA MACHINE
Rouge, continu	La machine exécute un programme.
Rouge, clignotant	Un programme est annulé.
Rouge, clignotant rapidement	La machine a un défaut. Reportez-vous au chapitre " Avertissements automatiques de panne et que faire ".
Vert, continu	Un programme est terminé.

DISTRIBUTEUR DE DÉTERGENT ET DE LIQUIDE DE RINÇAGE



MISE EN GARDE

N'utilisez que des détergents spécialement conçus pour les lave-vaisselle ménagers.

Dans le commerce, vous trouvez des détergents en poudre, en gel et en tablettes spécialement conçus pour les lave-vaisselle ménagers. Ajoutez le détergent approprié pour le programme sélectionné afin d'assurer les meilleures performances. Utilisez moins de détergent si la vaisselle n'est que légèrement sale. L'utilisation d'une quantité excessive de détergent peut laisser un film sur la vaisselle et dans le lave-vaisselle, entraînant de mauvaises performances de lavage.



NOTE

La quantité de détergent nécessaire dépend du cycle, de la taille de la charge et du niveau de salissure de la vaisselle. Trop de détergent dans de l'eau douce peut causer la corrosion du verre et ne se dissout pas dans l'eau.



MISE EN GARDE

N'utilisez pas trop de détergent si le niveau de dureté de votre eau est faible.



MISE EN GARDE

Conservez vos détergents dans un endroit frais et sec, hors de la portée des enfants. Consultez les instructions du fabricant du détergent pour plus d'informations.



MISE EN GARDE

Les tablettes de détergent ne se dissolvent pas complètement avec des programmes courts. Pour éviter les résidus de détergent sur la vaisselle, nous vous recommandons d'utiliser des tablettes avec des programmes longs.



MISE EN GARDE

N'utilisez pas de détergent dans le cycle de rinçage (selon le modèle). Si vous ne connaissez pas le niveau de dureté de votre alimentation en eau, utilisez 15 ml / 3 c. à café de détergent. Augmentez la quantité de détergent si vous voyez des traces blanches, en particulier sur les verres.

Si vous avez besoin de plus d'informations sur le détergent que vous avez l'intention d'utiliser, contactez directement les fabricants de détergents. Vérifiez que le distributeur de détergent est vide au terme de chaque programme de lavage.

REPLISSAGE DU DISTRIBUTEUR DE DÉTERGENT



NOTE

Le distributeur doit être rempli juste avant le début de chaque programme.

- 1) Poussez le loquet pour ouvrir le distributeur de détergent, comme indiqué dans l'illustration (Fig. A).

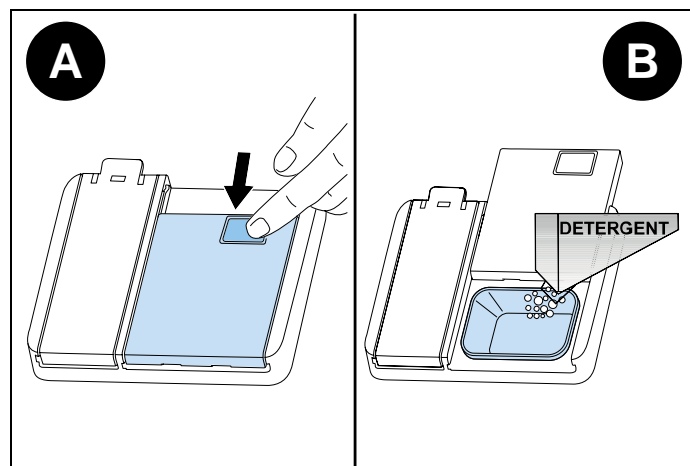


Fig. 64

- 2) Versez/placez le détergent dans le distributeur (Fig. B).
- 3) Fermez le couvercle et appuyez dessus jusqu'à ce qu'il soit bien verrouillé.

UTILISATION



NOTE

Le distributeur doit être rempli juste avant le début de chaque programme. Si la vaisselle est très sale, augmentez la dose de détergent.



NOTE

Le rabat est toujours ouvert à la fin d'un programme.



MISE EN GARDE

Suivez les instructions présentes sur l'emballage du détergent lorsque vous utilisez un détergent liquide pour lave-vaisselle, un détergent concentré en poudre ou un détergent en tablette.



MISE EN GARDE

Les quantités peuvent varier selon que vous utilisez un détergent liquide ou concentré en poudre. Les détergents en tablettes doivent être placés dans le distributeur de détergent.

UTILISATION DE DÉTERGENTS TOUT-EN-UN

Les détergents tout-en-un doivent être utilisés conformément aux instructions du fabricant.

Ne mettez jamais de détergents tout-en-un dans la cuve du lave-vaisselle ou le panier à couverts.

Placez toujours les tablettes dans le distributeur de détergent.

Les détergents tout-en-un contiennent non seulement le détergent, mais aussi du produit de rinçage, des substances de remplacement du sel et des composants supplémentaires en fonction de la combinaison.

Si vous arrêtez d'utiliser des détergents tout-en-un, vérifiez que les réglages de dureté de l'eau et de liquide de rinçage sont corrects.

Si vous souhaitez obtenir de meilleurs résultats lors de l'utilisation de détergents tout-en-un, ajoutez du sel et du liquide de rinçage dans votre machine, et réglez le niveau de dureté de l'eau et du liquide de rinçage à la position la plus basse.



ATTENTION !

La solubilité des détergents en tablettes issues de fabricants différents peut varier en fonction de la température et de la durée du cycle. Par conséquent, il n'est pas recommandé d'utiliser de tels détergents avec des programmes courts. Veuillez utiliser des détergents en poudre dans de tels programmes.



MISE EN GARDE

Si un problème, que vous n'avez jamais rencontré auparavant, survient avec l'utilisation de ce type de détergents, contactez directement les fabricants de détergents.

UTILISATION DU LIQUIDE DE RINÇAGE

Le liquide de rinçage aide à sécher la vaisselle sans rayures ni taches. Le produit de rinçage est nécessaire pour des ustensiles sans taches et des verres brillants, et est automatiquement libéré pendant la phase de rinçage à l'eau chaude.

Si le dosage du liquide de rinçage est trop faible, des taches blanches resteront sur les verres et la vaisselle. Si le dosage du liquide de rinçage est trop élevé, des taches bleu clair resteront sur les verres et la vaisselle.



ATTENTION !

N'utilisez que du liquide de rinçage destiné aux lave-vaisselle à usage domestique.

Évitez de remplir le distributeur de liquide de rinçage avec du détergent sous peine d'endommager le distributeur.



NOTE

Lorsque l'indicateur de liquide de rinçage s'allume, le distributeur de liquide de rinçage contient suffisamment de produit de rinçage pour 2 à 3 programmes seulement. Lors de l'utilisation de détergents en tablettes, le liquide de rinçage n'est pas nécessaire.

UTILISATION

REPLISSAGE ET RÉGLAGE DU DISTRIBUTEUR DE LIQUIDE DE RINÇAGE

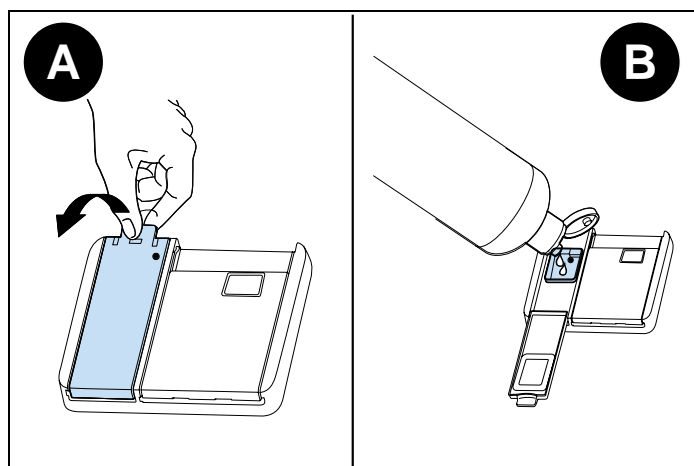


Fig. 65

- 1) Pour remplir le compartiment de liquide de rinçage, ouvrez le bouchon du distributeur de liquide de rinçage (Fig.A).
- 2) Remplissez le compartiment avec du liquide de rinçage jusqu'au niveau MAX, puis fermez le bouchon. Veillez à ne pas trop remplir le compartiment de liquide de rinçage et essuyez tout débordement.
- 3) Fermez le bouchon jusqu'à ce qu'il s'encliquète.

Pour modifier le niveau du liquide de rinçage, suivez les étapes ci-dessous :

- 1) Allumez la machine et appuyez sur le bouton Extra sec pendant 3 secondes pour entrer dans le menu Paramètres : le niveau de dureté de l'eau s'affiche à l'écran (SL1 correspond au réglage d'usine).
- 2) Appuyez sur le bouton Départ différé (+) pour passer au réglage du liquide de rinçage (r:4 correspond au réglage d'usine).
- 3) Ensuite, appuyez une fois sur le bouton Demi-charge et le niveau du liquide de rinçage (par ex. r:4) commencera à clignoter.
- 4) Modifiez le niveau du liquide de rinçage en appuyant sur les boutons du Départ différé.
- 5) Appuyez à nouveau sur le bouton Demi-charge pour sauvegarder le niveau souhaité : le niveau nouvellement sélectionné cessera de clignoter.
- 6) Quittez le menu des paramètres en appuyant sur le bouton Extra sec pendant 3 secondes ou éteignez l'appareil.

Le réglage d'usine correspond au niveau "4".

NOTE



Si la vaisselle ne sèche pas correctement ou est tachée, augmentez le niveau. Si des taches bleues apparaissent sur la vaisselle, diminuez le niveau.

NIVEAU	DOSE DE LIQUIDE DE RINÇAGE	INDICATEUR
1	Le liquide de rinçage n'est pas distribué.	r : 1 s'affiche à l'écran.
2	1 dose est distribuée.	r : 2 s'affiche à l'écran.
3	2 doses sont distribuées.	r : 3 s'affiche à l'écran.
4	3 doses sont distribuées.	r : 4 s'affiche à l'écran.
5	4 doses sont distribuées.	r : 5 s'affiche à l'écran.

RÉSERVOIR DE SEL (POUR LES MODÈLES ÉQUIPÉS D'UN ADOUCISSEUR D'EAU)

Veillez vérifier l'indicateur de sel sur le bandeau de commande pour voir s'il y a suffisamment de sel adoucissant dans le lave-vaisselle. Le distributeur de sel doit être rempli de sel chaque fois que l'indicateur d'avertissement de sel s'affiche sur le bandeau de commande de votre machine.

REPLISSAGE DU DISTRIBUTEUR DE SEL DU LAVE-VAISSELLE



MISE EN GARDE

Les sels de cuisson et de table ne se dissolvent pas facilement dans l'eau. L'utilisation de ces types de sels endommagera le système d'adoucisseur d'eau de votre machine.



NOTE

Utilisez exclusivement du sel spécial pour lave-vaisselle pour adoucir l'eau. N'utilisez pas de sels à petit grain ou de type poudre qui sont facilement solubles. L'utilisation de tout autre type de sel peut endommager votre machine. Le fabricant n'est pas responsable des dommages résultant de l'utilisation du mauvais type de sel.



MISE EN GARDE

Le détergent pour lave-vaisselle risque d'endommager l'ensemble d'adoucisseur d'eau. Ne remplissez pas le distributeur de sel avec du détergent pour lave-vaisselle.

UTILISATION



MISE EN GARDE

Si l'eau de votre région est très douce et constamment inférieure à 5 gpg (9 °f), vous n'avez pas besoin d'ajouter du sel pour lave-vaisselle.

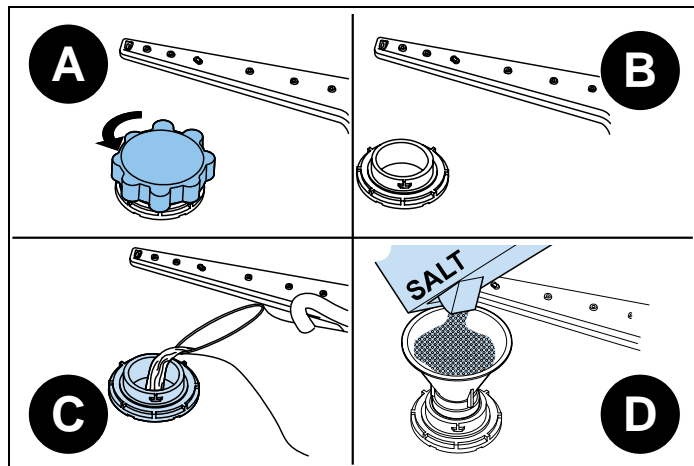


Fig. 66

- 1) Pour remplir le lave-vaisselle de sel, retirez d'abord le panier inférieur, puis ouvrez le bouchon du distributeur de sel en le tournant dans le sens inverse des aiguilles d'une montre. (Fig. A-B)
- 2) Tout d'abord, remplissez le compartiment avec 1 kg de sel et de l'eau (Fig. C) jusqu'au niveau de débordement. Si disponible, utilisez l'entonnoir (Fig. D) fourni pour faciliter le remplissage.
- 3) Replacez le bouchon et fermez-le.



MISE EN GARDE

Si le sel de l'adoucisseur a débordé et que vous ne démarrez pas la machine immédiatement, exécutez un programme de lavage court pour protéger votre machine contre la corrosion.



NOTE

Remplissez le distributeur de sel avec de l'eau uniquement la première fois que vous remplissez le compartiment à sel.



NOTE

Si le témoin du sel sur le bandeau de commande s'allume, remplissez à nouveau le distributeur de sel avec du sel.



MISE EN GARDE

Utilisez du sel adoucisseur spécialement conçu pour être utilisé dans les lave-vaisselle.

INDICATEUR DE REMPLISSAGE DE SEL



MISE EN GARDE

Si le voyant de sel s'allume pendant un programme, attendez la fin du programme pour remplir le distributeur de sel avec du sel pour lave-vaisselle. Une fois le distributeur de sel rempli, l'indicateur de remplissage peut encore être allumé si la concentration en sel n'a pas encore atteint le niveau correct. Il s'éteindra lorsque la concentration correcte sera atteinte.



NOTE

L'indicateur de remplissage de sel s'éteint si vous avez programmé le lave-vaisselle pour une dureté de l'eau inférieure à 5 gpg (9 °f).



MISE EN GARDE

Avant de nettoyer ou d'effectuer l'entretien, éteignez l'appareil, débranchez la prise secteur et fermez le robinet d'eau. Votre lave-vaisselle ne peut être réparé que par un agent de service autorisé.



MISE EN GARDE

Toutes les surfaces sont sujettes aux rayures. Le contact avec des produits de nettoyage inappropriés peut altérer ou décolorer toutes les surfaces.



MISE EN GARDE

Veillez à ce que le sol autour de votre lave-vaisselle soit propre et sec pour éviter tout risque de blessure. Si vous n'utilisez pas votre lave-vaisselle pendant une longue période, videz-le, nettoyez-le et laissez la porte entrouverte pour permettre à l'air de circuler.

N'utilisez pas de nettoyeurs abrasifs, de tampons à récurer ou de chiffons abrasifs pour nettoyer la porte du lave-vaisselle sous peine de l'endommager. Le nettoyage de la machine à intervalles réguliers prolonge sa durée de vie.

L'huile et le calcaire peuvent s'accumuler dans la section de lavage de la machine. En cas d'accumulation d'huile et/ou de calcaire, remplissez le compartiment à détergent sans charger de vaisselle dans l'appareil, sélectionnez un programme qui fonctionne à haute température et démarrez le lave-vaisselle. Si ce n'est pas suffisant, utilisez des agents nettoyants spéciaux disponibles dans le commerce.

Pour nettoyer tous les résidus qui se sont accumulés dans les joints de porte, essuyez les joints régulièrement à l'aide d'un chiffon humide.

Nettoyez l'appareil, le filtre et les bras d'aspersion au moins une fois par mois. Débranchez la machine et fermez le robinet d'arrivée d'eau avant de procéder à son nettoyage. N'utilisez pas de matériaux durs pour nettoyer la machine. Utilisez un produit de nettoyage doux et essuyez à l'aide d'un chiffon humide.

MATÉRIAU

Acier inoxydable	Utilisez un détergent en acier non abrasif et appliquez avec un chiffon doux non pelucheux. Pour faire ressortir l'éclat naturel, essuyez légèrement la surface avec un chiffon en microfibre imbibé d'eau, puis lustrer à l'aide d'une peau de chamois. Suivez toujours le grain de l'acier inoxydable.
Bandeau de commande	Essuyez avec un chiffon humide.
Paniers du lave-vaisselle	Essuyez avec un chiffon humide.
Intérieur de la cuve	Essuyez l'intérieur, le bord de la porte et le joint en caoutchouc avec un chiffon humide. Si nécessaire, vaporisez un nettoyant ménager sur le chiffon. Ne vaporisez pas directement sur la porte. Utilisez un nettoyant pour lave-vaisselle (suivez les instructions sur l'emballage) ou placez 1 tasse de vinaigre et 2 c.à.s. de bicarbonate de soude dans un récipient sur la grille du milieu et démarrez un cycle de lavage intensif.
Bras d'aspersion	Placer sous l'eau courante et utiliser un trombone ou similaire pour éliminer les résidus éventuellement présents dans les orifices.
Filtre	Nettoyez avec de l'eau et du savon. Pour les salissures difficiles à enlever ou les dépôts de calcium, utilisez une brosse douce. N'utilisez pas de brosse métallique ou de tampon à récurer.
Joint	Essuyez avec un chiffon humide. Utilisez de l'eau chaude savonneuse et une brosse à dents. En cas de moisissure ou de rouille, vaporiser avec 3 % de peroxyde d'hydrogène.

BRAS D'ASPERSION

Les bras d'aspersion supérieur et inférieur peuvent être retirés pour le nettoyage.

Vérifiez périodiquement si les orifices des bras d'aspersion supérieur et inférieur sont bouchés. Si vous constatez un colmatage, retirez les bras d'aspersion et nettoyez-les sous l'eau courante.

Les hélices doivent être nettoyées une fois par semaine pour que l'appareil fonctionne efficacement.

Pour retirer le bras d'aspersion inférieur :

1) Tirez le bras d'aspersion vers le haut (A, B).

NETTOYAGE ET ENTRETIEN

- 2) Placer sous l'eau courante et utiliser un trombone ou similaire pour éliminer les résidus éventuellement présents dans les orifices.

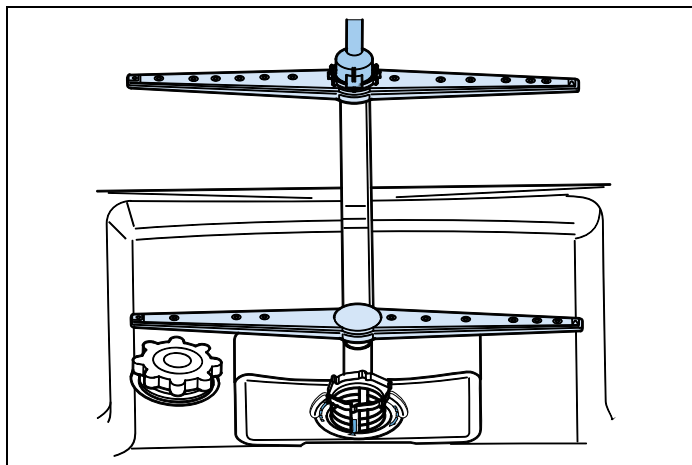


Fig. 67

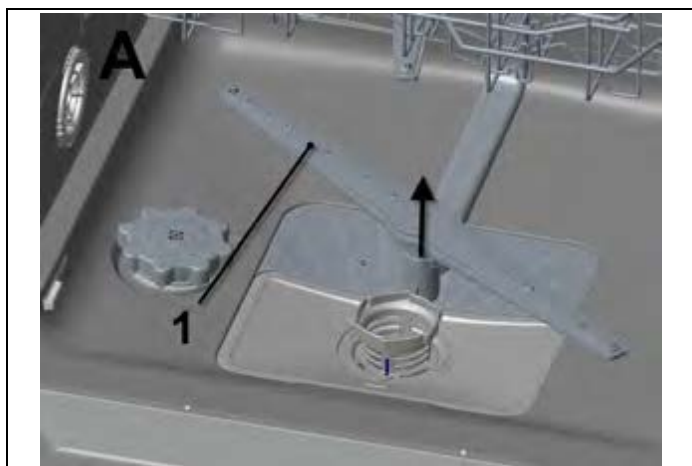


Fig. 68

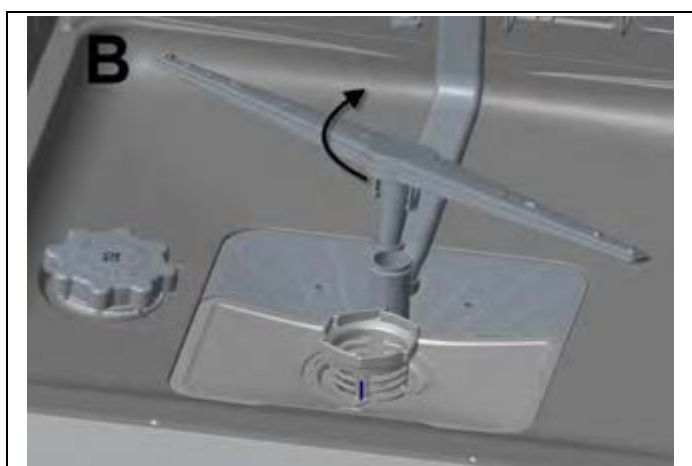


Fig. 69

Pour retirer le bras d'aspersion supérieur :

- 1) Tournez son écrou vers la gauche (A, B).
- 2) Placer sous l'eau courante et utiliser un trombone ou similaire pour éliminer les résidus éventuellement présents dans les orifices.



Fig. 70



Fig. 71

Assurez-vous de bien serrer l'écrou lors de la réinstallation du bras d'aspersion supérieur.

FILTRE

Le filtre doit être nettoyé régulièrement. Une utilisation intensive peut nécessiter un nettoyage plus fréquent.

Vérifiez périodiquement s'il reste des déchets alimentaires sur les filtres à grosses mailles et à fines mailles. S'il reste des déchets alimentaires, retirez les filtres et nettoyez-les soigneusement sous l'eau courante.

Pour retirer le filtre du lave-vaisselle, enlevez d'abord le panier inférieur et le bras d'aspersion inférieur.

- a. Filtre à fines mailles
- b. Filtre à grosses mailles
- c. Métal/Plastique

NETTOYAGE ET ENTRETIEN

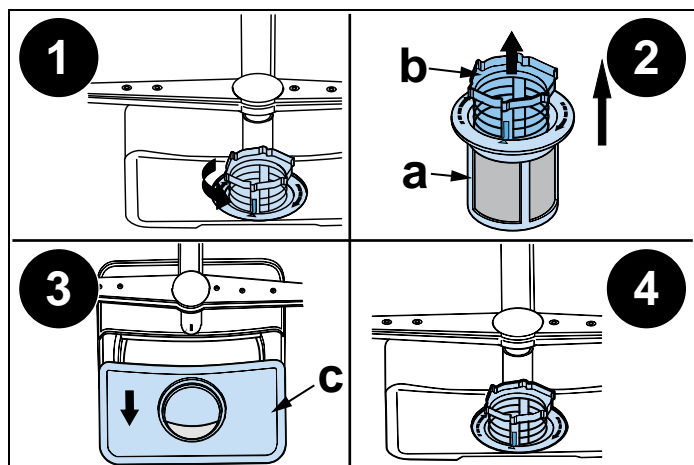


Fig. 72

RÉSOLUTION DE PROBLÈMES

ANOMALIE DE FONCTIONNEMENT	CAUSE POSSIBLE	REMÈDES
Le programme ne démarre pas.	Votre lave-vaisselle n'est pas branché.	Branchez votre lave-vaisselle.
	Votre lave-vaisselle n'est pas allumé.	Allumez votre lave-vaisselle en appuyant sur la touche Marche/Arrêt.
	Fusible grillé.	Vérifiez vos fusibles intérieurs.
	Le robinet d'entrée d'eau est fermé.	Ouvrez le robinet d'arrivée d'eau.
	La porte de votre lave-vaisselle est ouverte.	Fermez la porte du lave-vaisselle.
L'eau reste à l'intérieur de la machine.	Le tuyau d'entrée d'eau et les filtres de la machine sont bouchés.	Vérifiez le tuyau d'entrée d'eau et les filtres de la machine et assurez-vous qu'ils ne sont pas bouchés.
	Le tuyau de vidange d'eau est bouché ou tordu.	Vérifiez le tuyau de vidange, puis nettoyez-le ou éliminez les torsions éventuelles.
	Les filtres sont bouchés.	Nettoyez les filtres.
	Le programme n'est pas encore terminé.	Attendez que le programme soit terminé.
La machine s'arrête pendant le lavage.	Panne de courant.	Vérifiez l'alimentation secteur.
	Défaillance de l'entrée d'eau.	Vérifiez le robinet d'arrivée d'eau.
Des bruits de secousse et de cognement sont émis pendant un cycle de lavage.	Le bras d'aspersion heurte la vaisselle dans le panier inférieur.	Déplacez ou retirez les articles qui bloquent le bras d'aspersion.
	Articles mal rangés, l'eau n'atteint pas les articles concernés.	Ne surchargez pas les paniers.
	Assiettes appuyées les unes contre les autres.	Placez la vaisselle comme indiqué au chapitre relatif au chargement de votre lave-vaisselle.
	Utilisation d'une quantité insuffisante de détergent.	Utilisez la bonne quantité de détergent, comme indiqué dans le tableau des programmes.
	Sélection du programme de lavage incorrect.	Utilisez les informations du tableau des programmes pour sélectionner le programme qui convient le mieux.
	Bras d'aspersion obstrués par des déchets alimentaires.	Nettoyez les orifices des bras d'aspersion à l'aide d'objets fins.
	Filtres ou pompe de vidange d'eau obstrués ou filtre mal placé.	Vérifiez que le tuyau de vidange et les filtres sont correctement installés.
Il reste des taches blanchâtres sur la vaisselle.	Utilisation d'une quantité insuffisante de détergent.	Utilisez la bonne quantité de détergent, comme indiqué dans le tableau des programmes.
	Réglage trop bas du dosage du liquide de rinçage et/ou de l'adoucisseur d'eau.	Augmenter le niveau du liquide de rinçage et/ou de l'adoucisseur d'eau.
	Haut niveau de dureté de l'eau.	Augmentez le niveau de l'adoucisseur d'eau et ajoutez du sel.
	Le bouchon du compartiment à sel n'est pas fermé correctement.	Vérifiez que le bouchon du compartiment à sel est bien fermé.

RÉSOLUTION DE PROBLÈMES

ANOMALIE DE FONCTIONNEMENT	CAUSE POSSIBLE	REMÈDES
La vaisselle ne sèche pas.	L'option de séchage n'est pas sélectionnée.	Sélectionnez un programme avec une option de séchage
	Dosage du liquide de rinçage trop bas.	Augmentez le réglage du dosage du liquide de rinçage.
Des taches de rouille se sont formées sur la vaisselle.	La qualité de l'acier inoxydable de la vaisselle est insuffisante.	N'utilisez que des articles lavables au lave-vaisselle.
	Niveau élevé de sel dans l'eau de lavage.	Ajustez le niveau de dureté de l'eau à l'aide du tableau de dureté de l'eau.
	Le bouchon du compartiment à sel n'est pas fermé correctement.	Vérifiez que le bouchon du compartiment à sel est bien fermé.
	Trop de sel renversé dans le lave-vaisselle lors du remplissage du compartiment.	Utilisez l'entonnoir pour remplir le compartiment à sel afin d'éviter tout débordement.
Du détergent est encore présent dans le compartiment du détergent.	Mauvaise mise à la terre.	Consultez immédiatement un électricien qualifié.
	Le détergent a été ajouté lorsque le compartiment à détergent était encore humide.	Vérifiez que le compartiment à détergent est sec avant utilisation.

AVERTISSEMENTS AUTOMATIQUES DE PANNE ET QUE FAIRE

CODE D'ERREUR	PANNE POSSIBLE	QUE FAIRE
FF	Défaillance du système d'arrivée d'eau	Assurez-vous que le robinet d'arrivée d'eau est ouvert et que l'eau s'écoule.
		Détachez le tuyau d'admission du robinet et nettoyez le filtre du tuyau. Si l'erreur persiste, contactez le service après-vente.
F5	Défaut du système de pression	Contactez le service après-vente.
F3	Apport continu d'eau	Fermez le robinet et contactez le service après-vente.
F2	Problème d'évacuation de l'eau	Le tuyau d'évacuation de l'eau et les filtres peuvent être bouchés.
		Annulez le programme. Si l'erreur persiste, contactez le service après-vente.
F8	Défaut de chauffage	Contactez le service après-vente.
F1	Débordement	Débranchez la machine et fermez le robinet d'arrivée d'eau.
		Contactez le service après-vente.
FE	Carte électronique défectueuse	Contactez le service après-vente.
F7	Surchauffe	Contactez le service après-vente.
F9	Erreur de position du diviseur	Contactez le service après-vente.

RÉSOLUTION DE PROBLÈMES

CODE D'ERREUR	PANNE POSSIBLE	QUE FAIRE
F6	Capteur de chaleur défectueux	Contactez le service après-vente.
HI	Panne haute tension	Contactez le service après-vente.

INFORMATIONS PRATIQUES

- 1) Lorsque la machine n'est pas en service :
 - Débranchez la fiche et fermez le robinet.
 - Laissez la porte légèrement ouverte pour éviter la formation d'odeurs.
- 2) Sélectionnez l'option de séchage pour éliminer les gouttelettes d'eau.
- 3) Placez correctement la vaisselle dans la machine pour obtenir les meilleures performances en matière de consommation d'énergie, de lavage et de séchage. Veuillez consulter le tableau des programmes et de consommation pour plus d'informations.
- 4) Rincez la vaisselle sale avant de la mettre au lave-vaisselle.
- 5) N'utilisez le programme de rinçage que lorsque cela est nécessaire.
- 6) Ne placez pas la machine près d'un réfrigérateur car elle atteindra des températures élevées.
- 7) Si la machine est située dans une zone à risque de gel, fermez le robinet, débranchez le tuyau d'entrée du robinet et vidangez complètement l'eau à l'intérieur du tuyau et de la machine.

DÉCLARATION DE GARANTIE LIMITÉE DE DEUX ANS

CE QUE COUVRE CETTE GARANTIE LIMITÉE

La couverture de la garantie fournie par Bertazzoni SpA ("Bertazzoni") dans la présente déclaration s'applique exclusivement à l'appareil Bertazzoni d'origine ("Produit") vendu au consommateur ("Acheteur") par un revendeur/distributeur/détaillant agréé Bertazzoni, installé aux États-Unis, District de Columbia, ou au Canada, qui est toujours resté dans le pays d'achat initial (États-Unis, District de Columbia, ou Canada).

La couverture de la garantie est activée à la date d'achat d'origine du Produit et a une durée de deux (2) ans.

La couverture de la garantie n'est pas transférable.

En cas de remplacement de pièces ou de remplacement de l'ensemble du produit, le produit de remplacement (ou les pièces) assumera la garantie d'origine restante activée avec le document d'achat d'origine. Cette garantie ne sera pas prolongée à la suite d'un tel remplacement.

Bertazzoni SpA réparera ou remplacera toute pièce qui tombe en panne ou s'avère défectueuse en raison des matériaux et/ou de la fabrication dans les 2 ans suivant la date d'achat d'origine, et dans des conditions d'utilisation résidentielle normale et non commerciale. La réparation ou le remplacement sera gratuit, y compris la main-d'œuvre aux tarifs standard et les frais d'expédition. L'Acheteur est tenu de rendre le Produit raisonnablement accessible pour la réparation. L'intervention de réparation doit être effectuée par une entreprise de services agréée Bertazzoni pendant les heures normales de travail. La main-d'œuvre effectuée à des taux d'heures supplémentaires ou majorés ne sera pas couverte par la garantie.



REMARQUE IMPORTANTE

Conserver la preuve d'achat d'origine pour établir la période de garantie.

La responsabilité de Bertazzoni sur toute réclamation de quelque nature que ce soit, en ce qui concerne les biens et/ou services fournis, ne peut en aucun cas excéder la valeur des biens ou services ou partie de ceux-ci qui donnent naissance à la réclamation.

Garantie pour dommages de nature esthétique de 30 jours

L'inspection du produit doit être effectuée par l'Acheteur au moment de la livraison. Bertazzoni garantit que le Produit est exempt de vices de fabrication au niveau des matériaux et de la fabrication pendant une période de trente (30) jours à compter de la date d'achat d'origine du Produit.

Cette couverture comprend :

- Défauts de peinture
- Éclats

- Défauts de finition macroscopiques.

La garantie pour dommages de nature esthétique NE couvre PAS :

- les problèmes résultant d'un transport, d'une manipulation et/ou d'une installation incorrects (c.-à-d. bosselures, structures ou composants brisés, pliés ou déformés, composants en verre brisés)
- de légères variations de couleur dans les composants peints/émaillés
- les différences causées par l'éclairage naturel ou artificiel, l'emplacement ou d'autres facteurs similaires
- taches/corrosion/décoloration causées par des substances externes et/ou des facteurs environnementaux
- **coûts de main-d'œuvre, présentoir, plancher, stock B, appareils prêts à l'emploi et unités de démonstration.**

POLITIQUE DE PROTECTION DU VERRE

Cette garantie couvre la rupture du verre de la porte du four de la cuisinière pendant la durée suivante :

VERRES EXTÉRIEUR ET CENTRAL : 90 jours après la date d'achat initiale.

VERRE INTÉRIEUR 180 jours après la date d'achat initiale.

COMMENT OBTENIR UN SERVICE

Pour bénéficier du service de garantie, l'Acheteur doit contacter le Service Bertazzoni pour déterminer le problème et les procédures de service correctes.

Le numéro de modèle, le numéro de série et la date d'achat d'origine seront requis.



REMARQUE IMPORTANTE

Conserver la preuve d'achat d'origine pour établir la période de garantie.

Si situé aux USA

866 905 0010

<https://us.bertazzoni.com/more/support>

Si situé au CANADA

866 561 7265

<https://ca.bertazzoni.com/more/support>

EXCLUSIONS DE LA GARANTIE – CE QU'ELLE NE COUVRE PAS

- Utilisation du Produit dans toute application commerciale non résidentielle.

DÉCLARATION DE GARANTIE LIMITÉE DE DEUX ANS

- Utilisation du Produit dans un but autre que celui pour lequel il est prévu.
- Service de réparation fourni par un tiers autre qu'une agence de service agréée Bertazzoni.
- Les dommages ou le service de réparation appelé à corriger le service fourni par une entreprise non agréée ou l'utilisation de pièces non autorisées.
- L'installation non conforme aux codes de prévention des incendies, codes électriques, codes du gaz, codes de plomberie, codes du bâtiment, règlements, ou lois, locaux/d'état/municipaux/des comtés.
- Les défauts ou dommages dus à un entreposage incorrect du Produit.
- Les défauts ou dommages ou pièces manquantes sur les produits vendus hors de l'emballage d'origine ou des présentoirs.
- Les appels de service ou de réparation pour corriger l'installation incorrecte du produit et/ou des accessoires associés.
- Le remplacement de pièces/appels de service pour connecter, convertir ou de surcroît coupler à nouveau le câblage électrique et/ou la conduite de gaz afin d'utiliser correctement le produit.
- Le remplacement de pièces/appels de service pour fournir des instructions et des informations sur l'utilisation du Produit.
- Le remplacement de pièces/appels de service pour corriger les problèmes dus à l'utilisation du produit d'une manière autre que ce qui est normal et habituel pour un usage résidentiel.
- Le remplacement de pièces/appels de service en raison de la détérioration d'éléments tels que joints, boutons, supports de casseroles, étagères, paniers à couverts, boutons, écrans tactiles, plans de cuisson en verre céramique rayés ou cassés.
- Le remplacement de pièces/appels de service en raison d'un entretien insuffisant/inapproprié, donnant lieu à, mais sans s'y limiter : accumulation de résidus, taches, rayures, décoloration, corrosion.
- Le remplacement de composants en verre et des ampoules si la réclamation survient dans les 30 jours à compter de la date d'achat d'origine.
- Les défauts et dommages résultant d'accidents, d'altération, d'un usage impropre, d'abus, d'une installation incorrecte.
- Les défauts et dommages résultant du transport, de la logistique et de la manutention du Produit. L'inspection du produit doit être effectuée au moment de la livraison. Tout problème de manutention, de transport et de logistique doit être notifié au revendeur/ société de livraison après réception et inspection.
- Les défauts et dommages résultant de forces extérieures indépendantes de la volonté de Bertazzoni SpA, y compris, mais sans s'y limiter, le vent, la pluie, le sable, les incendies, les inondations, les coulées de boue, les températures glaciales, l'humidité excessive ou l'exposition prolongée à l'humidité, les surtensions, la foudre, les défaillances structurelles autour de l'appareil et d'autres cas de force majeure.
- Les produits dont le numéro de série est modifié/ endommagé/falsifié.
- Le raccordement de la conduite d'eau doit être effectué par un professionnel formé et agréé. Les problèmes dus à des connexions de conduite d'eau incorrectes tels que, mais sans s'y limiter, fuites et dégâts des eaux aux planchers et/ou aux armoires, ne sont pas considérés comme un problème inhérent au Produit et ne sont pas couverts par la garantie du fabricant.

Bertazzoni ne peut, en aucun cas, être tenu responsable des dommages causés aux biens environnants, y compris meubles, armoires, revêtements de sol, panneaux et autres structures entourant le Produit.

Bertazzoni ne peut être tenu responsable du Produit s'il est situé dans une région éloignée ou une zone où des techniciens certifiés ne sont pas raisonnablement disponibles. L'Acheteur doit supporter tous les frais de transport et de livraison du Produit au centre de service agréé le plus proche ou les frais découlant du déplacement supplémentaire d'un technicien qualifié certifié.

IL N'Y A AUCUNE GARANTIE EXPRESSE AUTRE QUE CELLES ÉNUMÉRÉES ET DÉCRITES CI-DESSUS, ET AUCUNE GARANTIE, EXPRESSE OU IMPLICITE, Y COMPRIS, MAIS SANS S'Y LIMITER, TOUTE GARANTIE IMPLICITE DE QUALITÉ MARCHANDE OU D'ADÉQUATION À UN USAGE PARTICULIER, NE S'APPLIQUERA APRÈS LES PÉRIODES DE GARANTIE EXPRESSES ÉNONCÉES CI-DESSUS, ET AUCUNE AUTRE GARANTIE EXPRESSE OU GARANTIE DONNÉE PAR UNE PERSONNE, UNE ENTREPRISE OU UNE SOCIÉTÉ À L'ÉGARD DE CE PRODUIT NE SERA CONTRAIGNANTE POUR BERTAZZONI. BERTAZZONI NE SERA PAS TENU POUR RESPONSABLE DE LA PERTE DE REVENUS OU DE PROFITS, DE L'INCAPACITÉ À RÉALISER DES ÉCONOMIES OU D'AUTRES AVANTAGES, DU TEMPS PASSÉ LOIN DU TRAVAIL, DES REPAS, DE LA PERTE DE NOURRITURE OU DE BOISSONS, DES FRAIS DE VOYAGE OU D'HÔTEL, DES DÉPENSES DE LOCATION OU D'ACHAT D'APPAREILS, DES FRAIS DE RÉNOVATION/ CONSTRUCTION AU-DELÀ DES DOMMAGES DIRECTS QUI SONT CLAIREMENT CAUSÉS EXCLUSIVEMENT PAR BERTAZZONI, OU DE TOUT AUTRE DOMMAGE PARTICULIER, INDIRECT OU CONSÉCUTIF CAUSÉ PAR L'UTILISATION, L'USAGE INAPPROPRIÉ OU L'INCAPACITÉ D'UTILISER CE PRODUIT, QUELLE QUE SOIT LA THÉORIE JURIDIQUE SUR LAQUELLE LA RÉCLAMATION EST FONDÉE, ET MÊME SI BERTAZZONI A ÉTÉ INFORMÉ DE LA POSSIBILITÉ DE TELS DOMMAGES. DE MÊME QUE TOUT RECOUVREMENT DE QUELQUE NATURE QUE CE SOIT CONTRE BERTAZZONI NE POURRA ÊTRE SUPÉRIEUR AU PRIX D'ACHAT DU PRODUIT VENDU PAR BERTAZZONI ET CAUSANT LE PRÉJUDICE ALLÉGUÉ. SANS LIMITER CE QUI PRÉCÈDE,

DÉCLARATION DE GARANTIE LIMITÉE DE DEUX ANS

L'ACHETEUR ASSUME TOUS LES RISQUES ET RESPONSABILITÉS POUR LA PERTE, LE DOMMAGE OU LE PRÉJUDICE CAUSÉ À L'ACHETEUR ET À LA PROPRIÉTÉ DE L'ACHETEUR ET À AUTRUI ET À SES BIENS, DÉCOULANT DE L'UTILISATION, DE L'USAGE INAPPROPRIÉ OU DE L'INCAPACITÉ D'UTILISER CE PRODUIT VENDU PAR BERTAZZONI, NON CAUSÉ DIRECTEMENT PAR LA NÉGLIGENCE DE BERTAZZONI. CETTE GARANTIE LIMITÉE NE S'ÉTENDRA PAS À TOUTE PERSONNE AUTRE QUE L'ACHETEUR INITIAL DE CE PRODUIT, N'EST PAS TRANSFÉRABLE ET ÉNONCE VOTRE RECOURS EXCLUSIF.

Bertazzoni n'assume aucune responsabilité pour les dommages indirects ou consécutifs. Certains États n'autorisent pas l'exclusion ou la limitation des dommages indirects ou consécutifs, de sorte que la limitation ou l'exclusion ci-dessus peut ne pas s'appliquer à vous. Cette garantie vous donne des droits légaux spécifiques et vous pouvez également avoir d'autres droits qui peuvent varier d'un État à l'autre ou d'une province à l'autre.

Toute question concernant cette garantie limitée peut être adressée au service clientèle de Bertazzoni..

Si situé aux USA

866 905 0010

<https://us.bertazzoni.com/more/support>

Si situé au CANADA

866 561 7265

<https://ca.bertazzoni.com/more/support>



www.bertazzoni.com
Via Palazzina, 8
42016 Guastalla RE

© 2023 BERTAZZONI. All rights reserved.

DW24S3IPV_v.01