

DVE54R7600V

SAMSUNG

Samsung Electric Dryer with Steam Sanitize+

7.4 cu. ft. Capacity DOE



Signature Features

Steam Sanitize+

- The Steam Sanitize+ cycle removes 99.9% of germs and bacteria, over 95% of pollen, and kills 100% of dust mites¹. Multi-Steam Technology steams away wrinkles, odors, and static.

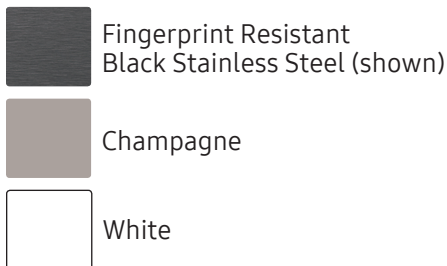
Sensor Dry

- Automatically optimizes the time and temperature of your drying cycle to protect your clothes from heat damage, while avoiding excess energy use.

Vent Sensor

- Vent Sensor continually monitors the condition of your dryer's air duct to ensure it is operating safely and efficiently.

Available Colors



Steam Sanitize+



Sensor Dry

Features

- Steam Sanitize+
- Sensor Dry
- Vent Sensor
- Smart Care²
- Drying Rack
- Interior Drum Light
- Reversible Tinted Door
- 4-Way Venting
- Stainless Steel Drum
- Accessibility (AUI, Braille)

- 12 Preset Drying Cycles
- 9 Additional Drying Options
- 5 Temperature Levels
- LED Display: Ice Blue

Convenience

- Child Lock
- Lint Filter Indicator

Rating



ENERGY STAR[®]-rated
608 kWh/yr

¹Based on internal testing and independently verified by Intertek. Individual results may vary.

²Requires Samsung Smart Washer/Dryer App. The Samsung Smart Washer/Dryer app supports Android OS 2.3.6 or later and iOS 3 or later for iPhone models. Smart Washer/Dryer App available in App Store and Play Store

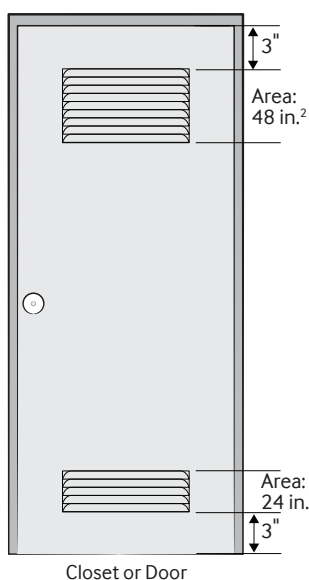
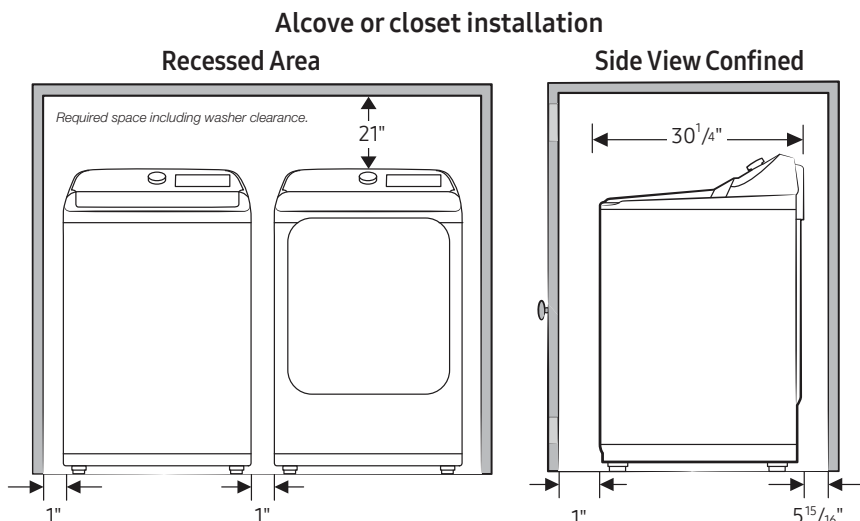
DVE54R7600V

SAMSUNG

Samsung Electric Dryer with Steam Sanitize+

7.4 cu. ft. Capacity DOE

Installation Specifications

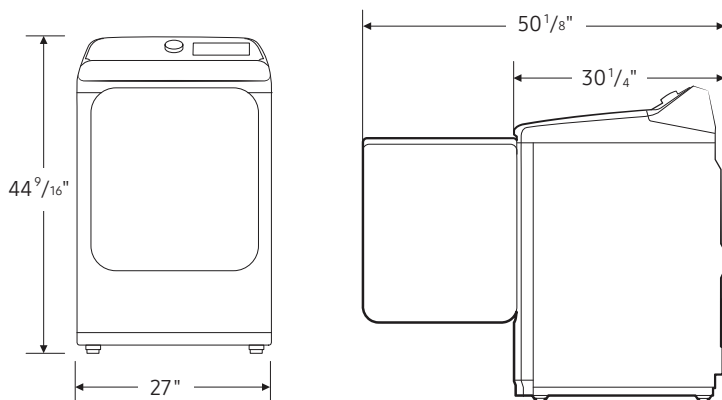


Minimum clearances for closets and alcoves:

- Sides – 1"
- Top – 21"
- Rear – 5.9"
- Closet Front – 1"

If both the washer and a dryer are installed in the same location, the front of the alcove or closet must have two unobstructed air openings for a combined minimum total area of 72-inch². This clearance requirement is applicable for washers only.

Dimensions



4-Way Venting

12 Preset Drying Cycles:

Refresh, Steam Sanitize+, Wrinkle Away, Normal, Heavy Duty, Permanent Press, Bedding, Delicates, Activewear, Time Dry, Air Fluff, Quick Dry

9 Additional Drying Options:

Damp Alert, Wrinkle Prevent, Adjust Time (Up), Adjust Time (Down), Child Lock, Alarm Off, Eco Dry, Smart Care, Drum Light

5 Temperature Levels:

High, Medium High, Medium, Medium Low, Low

5 Dry Levels:

More Dry, Normal-More Dry, Normal Dry, Normal-Less Dry, Less Dry

Warranty

One (1) Year Parts and Labor

Product Dimensions & Weight (WxHxD)

Dimensions: 27" x 44 9/16" x 30 1/4"

Weight: 126 lbs

Shipping Dimensions & Weight (WxHxD)

Dimensions: 29 9/16" x 46 15/16" x 31 3/16"

Weight: 134 lbs

Electric

Fingerprint Resistant
Black Stainless Steel

Champagne
White

Model

DVE54R7600V
DVE54R7600C
DVE54R7600W

UPC Code

887276347981
887276358864
887276347998

Gas

Fingerprint Resistant
Black Stainless Steel

Champagne
White

DVG54R7600V
DVG54R7600C
DVG54R7600W

887276348025
887276358871
887276348032

Matching Washer

Fingerprint Resistant
Black Stainless Steel

Champagne
White

WA54R7600AV 887276300573
WA54R7600AC 887276358888
WA54R7600AW 887276300580

Accessories

Vent Kit

DV-2A

887276146416