



Dryer

User manual

DV25B6900H*

SAMSUNG



Contents

Safety information	4
What you need to know about the safety instructions	4
Important safety symbols	4
CALIFORNIA PROPOSITION 65 WARNING	6
Important safety precautions	7
Warnings	8
Cautions	8
Regulatory notice	10
FCC Notice	10
IC Notice	11
Open Source Announcement	12
Installation requirements	13
Key installation requirements	13
Location considerations	13
Electrical requirements	17
Installation	19
What's included	19
Step-by-step installation	21
Changing the direction of the exhaust duct (optional)	26
Vent blockage test	30
Exhaust ducting guide	32
Switching the door position	32
Before you start	37
Initial setup	37
Sort and load	38
Functional prerequisite	38



Operations	39
Control panel	39
Operating a cycle	41
Cycle overview	42
Options	43
Settings	46
Special features	48
Cycle chart	50
Drying guide	52
Maintenance	53
Cleaning	53
Troubleshooting	55
Checkpoints	55
Information codes	57
Specifications	58
Fabric care chart	58
Protecting the environment	59
Specification sheet	59



Safety information

Congratulations on your new Samsung dryer. This manual contains important information on the installation, use and care of your appliance. Please take some time to read this manual to take full advantage of your dryer's many benefits and features.

What you need to know about the safety instructions

Please read this manual thoroughly to ensure that you know how to safely and efficiently operate the extensive features and functions of your new appliance. Please store the manual in a safe location close to the appliance for future reference. Use this appliance only for its intended purpose as described in this instruction manual.

Warnings and Important Safety Instructions in this manual do not cover all possible conditions and situations that may occur. It is your responsibility to use common sense, caution and care when installing, maintaining and operating your dryer.

Because the following operating instructions cover various models, the characteristics of your dryer may differ slightly from those described in this manual and not all warning signs may be applicable. If you have any questions or concerns, contact your nearest service center or find help and information online at www.samsung.com.

Important safety symbols

What the icons and signs in this user manual mean:

WARNING

Hazards or unsafe practices that may result in severe personal injury, death and/or property damage.

CAUTION

Hazards or unsafe practices that may result in personal injury and/or property damage.

NOTE

Indicates that a risk of personal injury or material damage exists.

These warning signs are here to prevent injury to yourself and others.

Please follow them explicitly.

After reading this manual, store it in a safe place for future reference.

Read all instructions before using the appliance.

As with any equipment that uses electricity and moving parts, potential hazards exist. To safely operate this appliance, familiarize yourself with its operation and exercise care when using it.

SAVE THESE INSTRUCTIONS



 **WARNING - Risk of Fire**

- Clothes dryer installation must be performed by a qualified installer.
- Install the clothes dryer according to the manufacturer's instructions and local codes.
- Do not install a clothes dryer with flexible plastic venting materials. If flexible metal (foil type) duct is installed, it must be of a specific type identified by the appliance manufacturer as suitable for use with clothes dryers. Flexible venting materials are known to collapse, be easily crushed, and trap lint. These conditions will obstruct clothes dryer airflow and increase the risk of fire.
- To reduce the risk of severe injury or death, follow all installation instructions.
- Save these instructions.

 **WARNING - Fire or explosion hazard**

- Failure to follow safety warnings exactly could result in serious injury, death or property damage.
- Do not store or use gasoline or other flammable vapors and liquids near this or any other appliance.
- Installation and service must be performed by a qualified installer, service agency.



Safety information

WARNING - To reduce the risk of fire or explosion:

- Do not dry items that have been previously cleaned, washed, soaked, or spotted with gasoline, dry cleaning solvents, or other flammable or explosive substances. They emit vapors that could ignite or explode. Any material that has been in contact with a cleaning solvent or flammable liquids or solids should not be placed in the dryer until all traces of these flammable liquids or solids and their fumes have been removed. There are many highly flammable items used in homes, such as acetone, denatured alcohol, gasoline, kerosene, some liquid household cleaners, some spot removers, turpentine, waxes, and wax removers.
- Items containing foam rubber (which may be labeled latex foam) or similarly textured rubberlike materials must not be dried on a heat setting. Heated foam rubber materials can, under certain circumstances, ignite spontaneously.

CALIFORNIA PROPOSITION 65 WARNING

WARNING

Cancer and Reproductive Harm - www.P65Warnings.ca.gov.



Important safety precautions

WARNING

To reduce the risk of fire, electric shock, or injury to persons when using your appliance, follow basic precautions, including the following:

1. Read all instructions before using this appliance.
2. Do not dry articles that have been previously cleaned in, washed in, soaked in, or spotted with gasoline, dry-cleaning solvents, or other flammable or explosive substances, as they give off vapors that could ignite or explode.
3. Do not use the dryer to dry clothes which have traces of any flammable substance, such as vegetable oil, cooking oil, machine oil, flammable chemicals, paint thinner, etc., or anything containing wax or chemicals, such as mops and cleaning cloths. Flammable substances may cause the fabric to catch fire by itself.
4. Do not store or use gasoline or other flammable vapors and liquids near this or any other appliance.
5. Do not allow children to play on or in the appliance. Close supervision of children is necessary when the appliance is used near children.
6. Before the appliance is removed from service or discarded, remove the door to the drying compartment.
7. Do not reach into the appliance if the drum is moving.
8. Do not install or store this appliance where it will be exposed to the weather.
9. Do not tamper with internal controls.
10. Do not repair or replace any part of the appliance or attempt any service unless specifically recommended in the user-maintenance instructions or in published user-repair instructions that you understand and have the skills to carry out.
11. Do not use fabric softeners or products to eliminate static unless recommended by the manufacturer of the fabric softener or product.
12. Clean the lint screen before or after each load.
13. Do not use heat to dry articles containing foam rubber or similarly textured rubber-like materials.
14. The interior of the appliance and exhaust duct should be cleaned periodically by qualified service personnel.
15. Do not place items exposed to cooking oils in your dryer. Items contaminated with cooking oils may contribute to a chemical reaction that could cause a load to catch fire. To reduce the risk of fire due to contaminated loads, the final part of a tumble dryer cycle occurs without heat (cool down period). Avoid stopping a tumble dryer before the end of the drying cycle unless all items are quickly removed and spread out so that the heat is dissipated.
16. This appliance must be grounded. See **“Electrical requirements”** and **“Grounding”** in **“Installation”** section.
17. Do not allow children to play on or in the appliance. Close supervision of children is necessary when the appliance is used near children.



Safety information

18. Do not insert your hand under the dryer.
 - This may result in injury.
19. Take care that children's fingers are not caught in the door when closing it.
 - This may result in injury.

Warnings

WARNING

- Ensure pockets are free of small, irregularly shaped hard objects and foreign material, i.e. coins, knives, pins, etc. These objects could damage your dryer.
- Sharp Edges – To reduce the risk of injury, use care when cleaning the condenser or evaporator coil fins.
- Certain internal parts are intentionally not grounded and may present a risk of electric shock only during servicing. Service Personnel – Do not contact the following parts while the appliance is energized: Control board, Motor, Drain pump.

Cautions

CAUTION

- Do not allow children or pets to play on, in, or in front of the appliance. Close supervision is necessary when the appliance is used near children and pets.
- Before discarding or removing your dryer from service, remove the door to the drying compartment to prevent children or animals from becoming trapped inside.
- Do not reach into the appliance when the drum is moving.
- Do not install or store this appliance where it will be exposed to the weather.
- Do not tamper with the controls.
- Do not repair, replace, or attempt to service any part of the appliance unless specifically instructed to in the user-repair instructions and you have the understanding and skills to carry out the procedure.
- Do not use fabric softeners or products to eliminate static unless the softener or product is recommended for dryer use by the manufacturer of the fabric softener or product.
- Clean the lint screen before or after each load.
- Keep the area around the exhaust opening and surrounding areas free from lint, dust, and dirt.
- The interior of the dryer and exhaust duct should be cleaned periodically by qualified service personnel.
- This appliance must be properly grounded. Never plug the power cord into a receptacle that is not grounded adequately or not in accordance with local and national codes. See the installation instructions for information about grounding this appliance.
- Do not sit on top of the dryer.
- Do not dry clothing with large buckles, buttons, or other heavy metal or solid objects.
- Install and use in accordance with the manufacturer's instructions.
- Do not place items in your dryer that have been spotted or soaked with vegetable oil or cooking oil. Even after being washed, these items may contain significant amounts of these oils.



-
- Residual oil on clothing can ignite spontaneously. The potential for spontaneous combustion increases when items containing vegetable oil or cooking oil are exposed to heat. Heat sources such as your dryer can warm these items, allowing an oxidation reaction in the oil to occur. Oxidation creates heat. If this heat cannot escape, the items can become hot enough to catch fire. Piling, stacking, or storing these kinds of items may prevent heat from escaping and can create a fire hazard.
 - All washed and unwashed fabrics that contain vegetable oil or cooking oil can be dangerous. Washing these items in hot water with extra detergent will reduce, but not eliminate, the hazard. Always use the Cool Down cycle for these items to reduce their temperature. Never remove these items from the dryer hot or interrupt the drying cycle until the items have run through the Cool Down cycle. Never pile or stack these items when they are hot.



Regulatory notice

FCC Notice

CAUTION

Any changes or modifications not expressly approved by the party responsible for compliance could void the user's authority to operate the equipment.

This device complies with Part 15 of FCC Rules. Operation is Subject to following two conditions:

1. This device may not cause harmful interference, and
2. This device must accept any interference received including interference that cause undesired operation.

For products sold in the US and Canadian markets, only channels 1–11 are available. You cannot select any other channels.

FCC STATEMENT:

This equipment has been tested and found to comply within the limits for a Class B digital device, pursuant to part 15 of the FCC Rules. These limits are designed to provide reasonable protection against harmful interference in a residential installation.

This equipment generates, uses, and can radiate radio frequency energy and, if not installed and used in accordance with the instructions, may cause harmful interference to radio communications. However, there is no guarantee that interference will not occur in a particular installation. If this equipment does cause harmful interference to radio or television reception, which can be determined by turning the equipment off and on, the user is encouraged to try to correct the interference by one or more of the following measures:

- Reorienting or relocating the receiving antenna
- Increasing the separation between the equipment and receiver
- Connecting the equipment to an outlet that is on a different circuit than the radio or TV.
- Consulting the dealer or an experienced radio/TV technician for help.

FCC RADIATION EXPOSURE STATEMENT:

This equipment complies with FCC radiation exposure limits set forth for an uncontrolled environment. This equipment should be installed and operated so there is at least 8 inches (20 cm) between the radiator and your body. This device and its antenna(s) must not be colocated or operated in conjunction with any other antenna or transmitter.

SAVE THESE INSTRUCTIONS



Unintentional emitter per FCC Part 15
Product type : Clothes Dryers
Model : DV25B6900H*
Responsible Party – U.S. Contact Information
Samsung Electronics America, Inc.
QA Lab America
19 Chapin Rd. Building D Pine Brook NJ 07058
Tel: 1-973-808-6375 Fax: 1-973-808-63

IC Notice

The term “IC” before the radio certification number only signifies that Industry Canada technical specifications were met. Operation is subject to the following two conditions:

1. This device may not cause interference, and
2. This device must accept any interference, including interference that may cause undesired operation of the device.

This Class B digital apparatus complies with Canadian ICES-003.

Cet appareil numérique de la classe B est conforme à la norme NMB-003 du Canada.

For products sold in the US and Canadian markets, only channels 1–11 are available. You cannot select any other channels.

IC RADIATION EXPOSURE STATEMENT:

This equipment complies with IC RSS-102 radiation exposure limits set forth for an uncontrolled environment. This equipment should be installed and operated so there is at least 8 inches (20 cm) between the radiator and your body. This device and its antenna(s) must not be colocated or operated in conjunction with any other antenna or transmitter.



Regulatory notice

Open Source Announcement

The software included in this product contains open source software. You may obtain the complete corresponding source code for a period of three years after the last shipment of this product by sending an email to <mailto:oss.request@samsung.com>.

It is also possible to obtain the complete corresponding source code in a physical medium such as a CD-ROM; a minimal charge will be required.

The following URL http://opensource.samsung.com/opensource/SMART_AT_051/seq/0 leads to the download page of the source code made available and open source license information as related to this product. This offer is valid to anyone in receipt of this information.



NOTE

Hereby, Samsung Electronics, declares that the radio equipment type appliance is in compliance with Directive 2014/53/EU. The full text of the EU declaration of conformity is available at the following internet address: The official Declaration of conformity may be found at <http://www.samsung.com>, go to Support > Search Product Support and enter the model name.

Wi-Fi max transmitter power : 20 dBm at 2.412 GHz – 2.472 GHz





Installation requirements

Read through the following instructions before installing the dryer and keep this manual for future reference.

WARNING

Certain internal parts are intentionally not grounded and may present a risk of electric shock only during servicing.

Service Personnel - Do not contact the following parts while the appliance is energized: Control board and inlet valve.

Key installation requirements

- A grounded electrical outlet.
- A power cord for electric dryers (except in Canada).
- An exhaust system made of rigid metal or flexible stiff-walled metal exhaust ducting.

WARNING

Remove the door from all discarded appliances to prevent a child from suffocating.

Location considerations

The dryer should be located where there is enough space at the front for loading the dryer, and enough space behind for the exhaust system. This dryer is factory-ready for the rear exhaust option. To exhaust out the bottom, right or the left, use the accessory exhaust kit. Instructions are included with the kit. Make sure the room in which the dryer is located has enough fresh air. The dryer must be located where there are no air-flow obstructions.

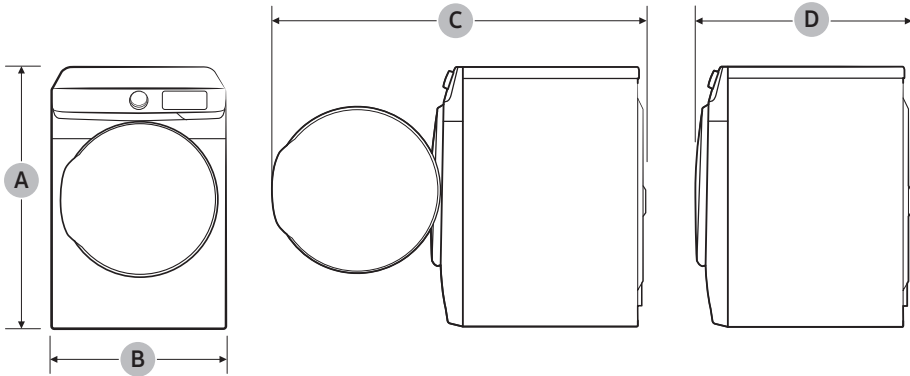
The dryer must not be installed or stored in an area where it will be exposed to water and/or weather. The dryer area must be kept clear of combustible materials, gasoline, and other flammable vapors and liquids. A dryer produces combustible lint. The area around the dryer should be kept lint-free.



Installation requirements

English

Dimensions



Type		Front loading dryer
Models		DV25B6900H*
Dimensions (in. (mm))	A. Overall height	33.5 (850)
	B. Width	23.6 (600)
	C. Depth with door open	43.3 (1101)
	D. Depth	25.8 (655)

Clearance requirement

This clearance requirement is applicable for dryers only.

NOTE

- For washer's clearance requirement, see the washer's user manual.
- If the washer and dryer have different clearance requirements, use the one with the larger value.

Alcove or closet installations

WARNING

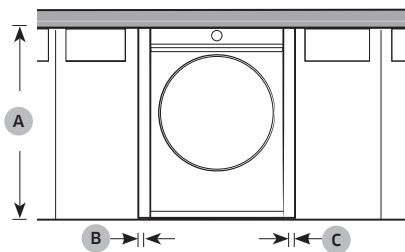
- The dryer must be exhausted to the outside to reduce the risk of fire when installed in an alcove or closet.
- No other fuel-burning appliance should be installed in the same closet as the dryer.
- Place the dryer at least 18 in. (460 mm) above the floor for garage installation.

Minimum clearance for stable operation:

Sides	Top	Rear	Front
1 in. (25 mm)	1 in. (25 mm)	2 in. (50 mm)	1 in. (25 mm)

If both the washer and a dryer are installed in the same location, the front of the alcove or closet must have two unobstructed air openings for a combined minimum total area of 72 in.² (465 cm²).

Undercounter installation



A	34.4 in. (875 mm)
B	1 in. (25 mm)
C	1 in. (25 mm)



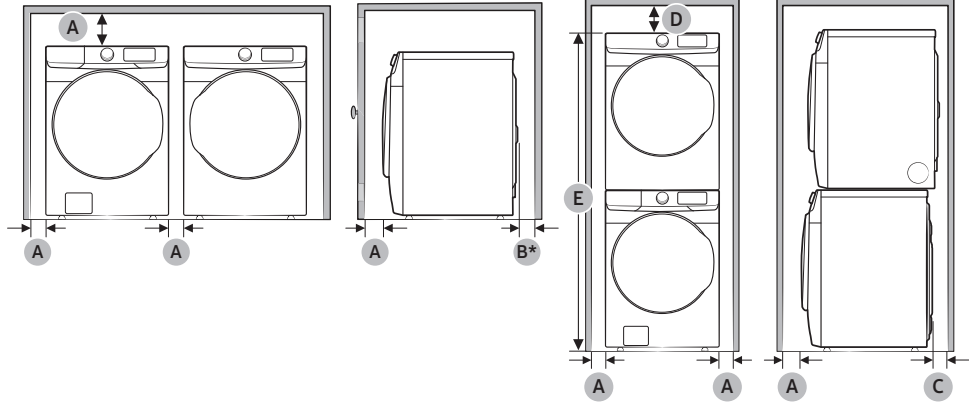
Installation requirements

English

This clearance requirement is applicable for washer and dryer pair installation.

Side by side installation

Stacked installation



A	1 in. (25 mm)
B*	2 in. (50 mm)
C	2 in. (50 mm)
D	6 in. (152 mm)
E	67 in. (1702 mm)

(B*): This clearance requirement only applies to the dryer. For washer's clearance requirement, see the washer's user manual.

Minimum space **(B*)** of 3" is required for best dryer performance. In case of insufficient space for duct installation, properly sized vent kit is needed.

NOTE

Stacking (SK-DH)

Many of Samsung's washers and dryers can be stacked to maximize usable space. You can purchase an optional stacking kit from your Samsung retailer. For details about stacking and compatible models, refer to the user manual included in the stacking kit you purchase.



Electrical requirements

The wiring diagram is located on the plate under the control panel or rear frame.

WARNING

- Improperly connecting the equipment grounding conductor can result in a risk of electric shock. Check with a qualified electrician or serviceman if you are in doubt as to whether your dryer is properly grounded. Do not modify the plug provided with your dryer – if it doesn't fit the outlet, have a proper outlet installed by a qualified electrician.
- To prevent unnecessary risk of fire, electrical shock, or personal injury, all wiring and grounding must be done in accordance with local codes, or in the absence of local codes, in accordance with the National Electrical Code, ANSI/NFPA No. 70-Latest Revision (for the U.S.) or the Canadian Electrical Code CSA C22.1 – Latest Revisions and local codes and ordinances. It is your responsibility to provide adequate electrical service for your dryer.

Grounding

This dryer must be grounded. In the event of a malfunction or breakdown, the ground will reduce the risk of electrical shock by providing a path of least resistance for the electrical current.

Electric models

WARNING

- Your dryer has an optional cord with an equipment-grounding conductor and a grounding plug. This cord is sold separately.
- The plug must be plugged into an appropriate outlet that is properly installed and grounded in accordance with all local codes and ordinances.
- Do not modify the plug provided with your dryer – if it doesn't fit the outlet, have a proper outlet installed by a qualified electrician.
- If a power cord is not used and the electric dryer is to be permanently wired, the dryer must be connected to a permanently grounded metal wiring system, or an equipment grounding conductor must be run with the circuit conductors and connected to the equipment grounding terminal or lead on the dryer.

Electrical connections

Before operating or testing, follow all grounding instructions in the “**Grounding**” section. An individual branch (or separate) circuit serving only your dryer is recommended.

Do not use an extension cord.

Electric models – U.S. only

Most U.S. dryers require a 120 / 240 volt, 60 Hz AC approved electrical service. Some require 120 / 208 volt, 60 Hz approved electrical service. The electric service requirements can be found on the data label located behind the door. A 30-ampere fuse or circuit breaker on both sides of the line is required.

- If a power cord is used, the cord should be plugged into a 30-ampere receptacle.



Installation requirements

- The power cord is not provided with U.S. electric model dryers. This cord is sold separately.

Risk of Electric Shock

WARNING

- When local codes allow, you can connect the dryer's electrical supply with a new power supply cord kit, marked for use with a dryer, that is U.L. listed and rated at a minimum of 120 / 240 volts, 30-amperes with three No. 10 copper wire conductors terminated with closed loop terminals, open-end spade lugs with turned up ends, or with tinned leads.
- Do not reuse a power supply cord from an old dryer. The power cord electric supply wiring must be supported at the dryer cabinet by a suitable UL-listed strain relief.
- Grounding through the neutral conductor is prohibited for (1) new branch-circuit installations, (2) mobile homes, (3) recreational vehicles, and (4) areas where local codes prohibit grounding through the neutral conductor. (Use a 4-prong plug for a 4 wire receptacle, NEMA type 14-30R.)

Canada Only

A 120 / 240 volt, 60 Hz AC approved electrical service fused through a 30-ampere fuse or circuit breaker on both sides of the line is required.

NOTE

All Canadian models are shipped with the power cord attached. The power cord should be plugged into a 30-ampere receptacle. In Canada, you may convert a dryer to 120 / 208 volts.

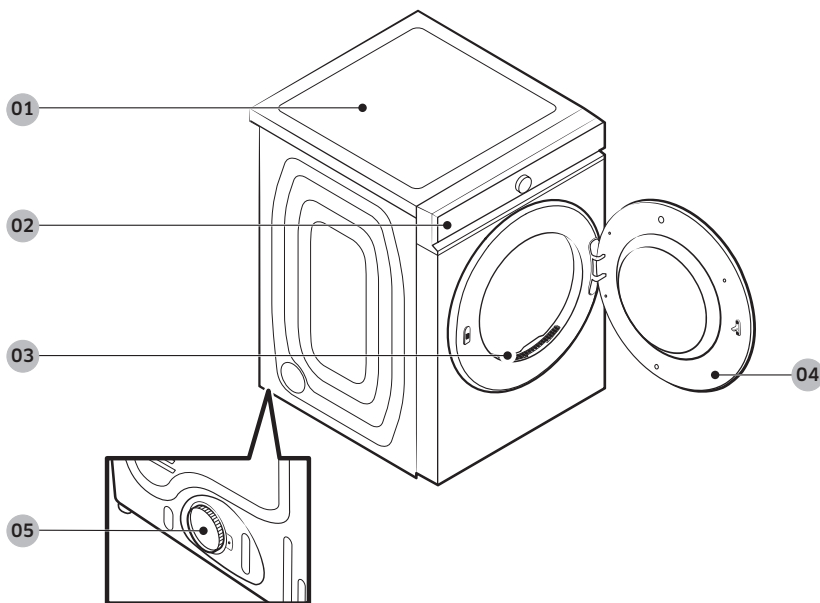


Installation

This dryer must be installed by a qualified technician. The installer is responsible for connecting the dryer to the main power while observing the relevant safety regulations of your area.

What's included

Make sure all the parts are included in the product package. If you have a problem with the dryer or the parts, contact a local Samsung customer center or the retailer.



01 Worktop

02 Control panel

03 Lint filter

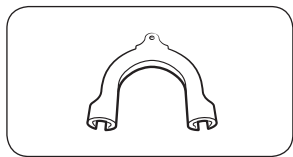
04 Door

05 Exhaust duct

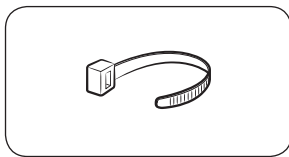


Installation

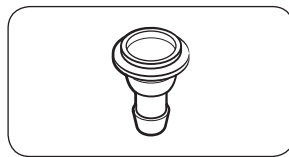
Accessories (supplied)



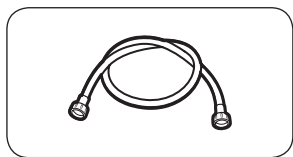
Hose guide



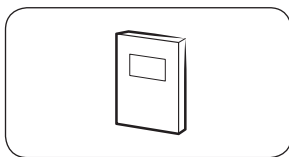
Cable tie



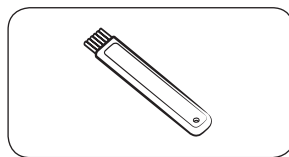
Hose connector



Long drain hose (6.5 ft/2 m)

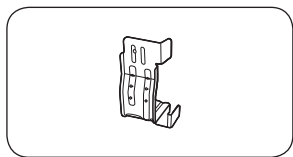


User manual



Cleaning brush

Accessories (Canada Model Only)



Bracket-Stacking kit
(SK-DH)

NOTE

- The stacking kit allows the dryer to be stacked on top of a washer. Please note that the stacking kit can only be used with Samsung washers and dryers. To purchase a bracket stacking kit, contact a Samsung service center or local appliance retailer. The stacking kit differs with the washer model.
- For stacking instructions for the dryer, see the installation manual included in the stacking kit.
- For information about model-specific availability of the stacking kit, see the installation manual included in the stacking kit.



Step-by-step installation

Make sure you have a qualified technician install the dryer. Step by step installation instructions start below.

- Do not remove the protective film on the door before completing the product installation. If you remove the protective film before the installation is complete, the door may get scratched or damaged during installation.
- Make sure the installation location allows enough space for the dryer door to be fully open.

STEP 1 Install the exhaust system

1. Select a location and move the dryer to the site. For easy access, we recommend you install the dryer in the same location as your washer.
2. To change the door direction, see **“Switching the door position”** on page 32.
3. Install the exhaust system as instructed in the **“Exhaust ducting guide”** section.

CAUTION

Before installing your dryer, remove the packing in the duct.

NOTE

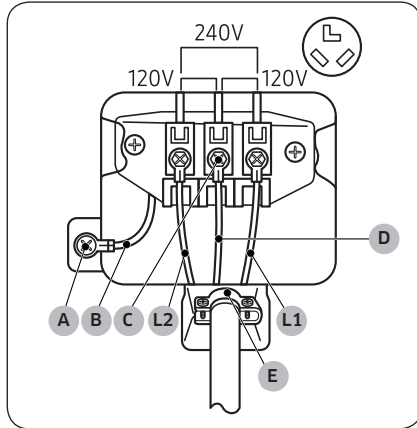
- To move the dryer easily, lay two of the carton cushions from the packaging on the floor. Tip the dryer on its side so it lies across both cushion-tops. Push the dryer so that it is near its final location, and then set the dryer upright.
- Secure room around the dryer to facilitate ducting and wiring.

STEP 2 Connect the electrical wiring (for electric models)

Before connecting the electrical wiring, make sure you have read the **“Electrical requirements”** section on page 17.

Installation

3-wire system



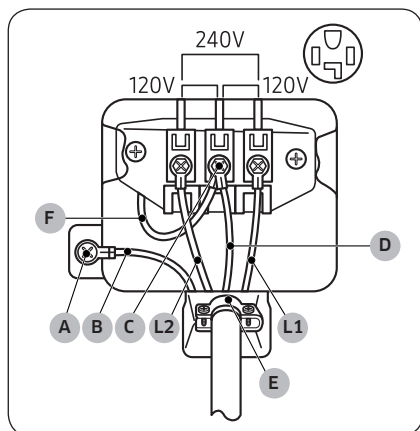
- A. External ground connector
- B. Neutral grounding wire (white)
- C. Center silver-colored terminal block screw
- D. Neutral wire (white or center wire)
- E. $\frac{3}{4}$ " (1.9 cm) UL-listed strain relief

1. Loosen or remove the screws from the center terminal block.
2. Connect the neutral wire (white or center wire) of the power cable to the center, silver-colored terminal screw of the terminal block. Tighten the screws.
3. Connect the other wires to outer terminal block screws. Tighten the screws.
4. Tighten the strain relief screws.
5. Insert the terminal block cover into the rear panel of the dryer. Then, secure the cover with a hold-down screw.

⚠ CAUTION

- To convert from the 4-wire system to 3-wire system, connect the ground strap to the terminal block support to ground the dryer frame to the neutral conductor.
- Ring-type terminals are recommended. If using strap terminals, make sure they are tightened.
- Connect the power cord and check L1/L2/D (N) voltage. If the voltage is low, it may not heat properly. Review the **"Electrical requirements"** section on page 17 if needed.

4-wire system



- A. External ground connector
- B. Neutral grounding wire (white)
- C. Center silver-colored terminal block screw
- D. Neutral wire (white or center wire)
- E. $\frac{3}{4}$ " (1.9 cm) UL-listed strain relief
- F. Neutral wire (white or center wire)

1. Remove the external ground connector's screw and connect the ground wire (green or unwrapped) of the power cable to the screw.

⚠ CAUTION

- To connect the ground wire to the neutral position without through contact A (cabinet ground), contact a technician. This is not user serviceable.
 - Ring-type terminals are recommended. If using strap terminals, make sure they are tightened.
2. Loosen or remove the screws from the center terminal block.
 3. Connect the neutral wire (white or center wire) and ground wire (white) to the center screw of the terminal block. Tighten the screw.
 4. Connect the other wires to the outer terminal block screws. Tighten the screws.
 5. Tighten the strain relief screws.
 6. Insert the tab of the terminal block cover into the rear slot of the dryer. Secure the cover with a hold-down screw.

⚠ CAUTION

Connect the power cord and check L1/L2/D (N) voltage. If the voltage is low, it may not heat properly. Review the **"Electrical requirements"** section on page 17 if needed.

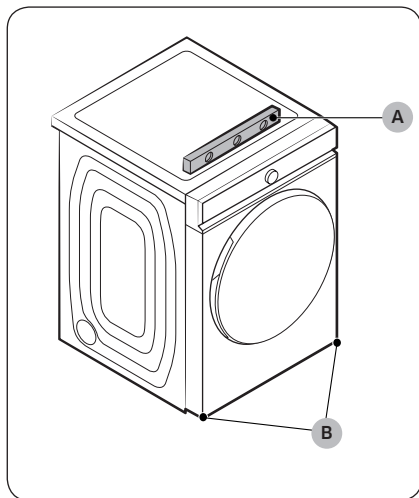
⚠ WARNING

- All U.S. models are designed for a 3-wire system connection. The dryer frame is grounded to the neutral conductor at the terminal block. A 4-wire system connection is required for new or remodeled construction, mobile homes, or if local codes do not permit grounding through neutral. If you use the 4-wire system, you cannot ground the dryer frame to the neutral conductor at the terminal block.
- Remove the terminal block cover plate. Insert the power cord with a UL-listed strain relief through the hole provided in the cabinet near the terminal block.
- A strain relief must be used. Do not loosen the nuts already installed on the terminal block. Be sure they are tight. Use a $\frac{3}{8}$ " (1 cm) deep well socket.
- Since January 1, 1996, the national electric code requires that new wiring (not existing) utilize a 4-wire connection to this dryer.

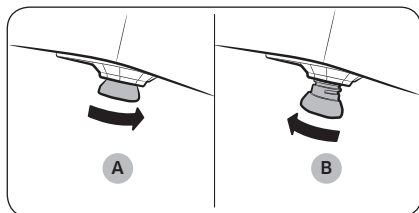
Installation

STEP 3 Level the dryer

To ensure optimal performance, the dryer must be level.



Using a **level (A)**, check if the dryer is level side to side and then front to back. If the dryer is not level, turn the **leveling feet (B)** clockwise to lower the dryer or counterclockwise to raise the dryer.



NOTE

- To set the dryer to the same height as your washer, fully **retract (A)** the leveling feet by turning them counterclockwise, then **loosen (B)** the feet by turning them clockwise. Once the dryer is the same height as the washer, follow the directions above to level the dryer.
- Adjust the leveling feet only as much as necessary to level the dryer. Extending the leveling feet more than necessary can cause the dryer to vibrate.

STEP 4 Final Check

When installation is complete, confirm that:

- The dryer is plugged into an electrical outlet and grounded properly.
- The exhaust ductwork is connected, and the joints are taped.
- You have used rigid or stiff-walled flexible metal duct material, not plastic flexible duct.
- The dryer is level and is sitting firmly on the floor.
- The dryer starts, runs, heats, and shuts off properly.

CAUTION

The burner may not ignite initially due to air in the gas line. Allowing your dryer to operate on a heat setting will purge the line.

Exhaust ducting guide

Ducting

1. Make sure the dryer is installed properly so the air exhausts freely.
2. Use 4-inch rigid metal ducts. Tape all joints including the dryer connection.
Never use lint-trapping screws.
3. To facilitate the exhaust, keep the ducts as straight as possible.

Cleaning

Clean all old ducts before installing the dryer, and make sure the vent flap opens and closes freely. We recommend that you to clean the exhaust system annually or on a regular basis.

WARNING

- To prevent fire, do not use plastic, thin-foil, or non-metal flexible ducts of any kind.
- Do not use a poor exhaust system because it slows down the dryer's performance.
- Do not use excessively long ducts that have multiple elbows.
- Do not use crushed or clogged venting or ducts.



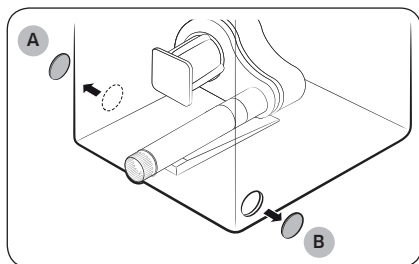
Installation

Changing the direction of the exhaust duct (optional)

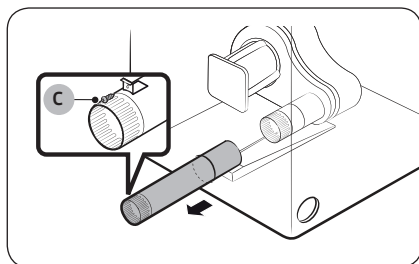
⚠ WARNING

Before performing this exhaust installation, disconnect the dryer from its electrical supply. Wear gloves to protect your hands and arms from sharp edges when working inside the cabinet.

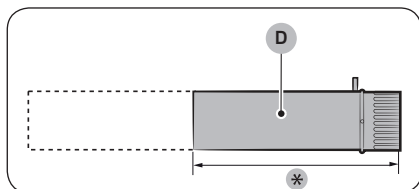
Side venting



1. Detach the **right (A)** or **left (B)** side knockout as desired.



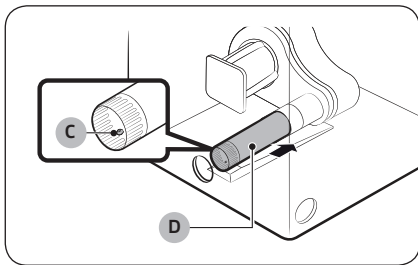
2. Pull the duct out of the dryer, and then remove the **screw (C)** from the duct. Set **screw (C)** aside. You will need it in a later step.



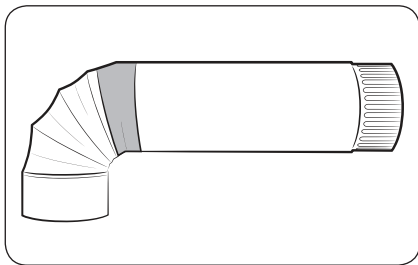
3. Cut the duct as shown and keep the **cut portion of the duct (D)**.

* : 4.9" (125 mm)

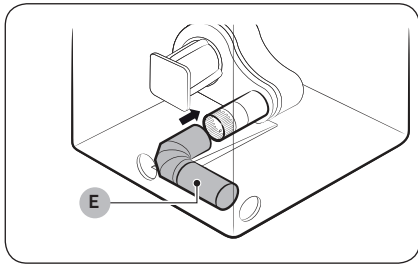




4. Reconnect the **cut portion of the duct (D)**, and then fasten it to the ramp on the appliance base with the **screw (C)** which you set aside in Step 2.



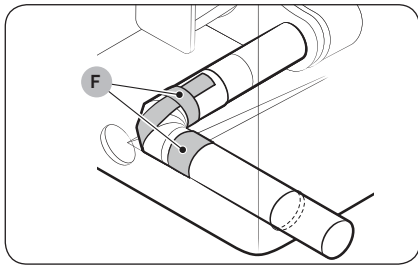
5. Connect a duct to an elbow, and then tape the duct and the elbow together with duct tape.



6. Insert the **duct with elbow (E)** through the rear opening, and then connect it to the internal duct.

⚠ CAUTION

Wire components in the dryer may interfere slightly with the duct. Do not pull or damage the electrical wires inside the dryer when inserting the duct.



7. Apply **duct tape (F)** on all joints as shown.

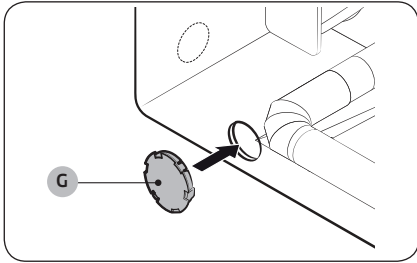
⚠ CAUTION

All joints must be secured with duct tape, otherwise, they may separate and cause a safety hazard.



Installation

English

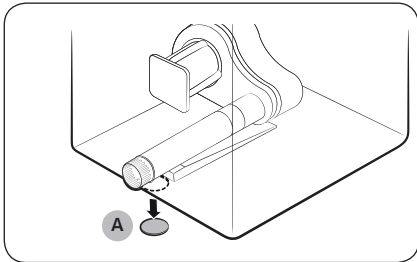


8. Cover the back opening with a **cover plate (G)**.

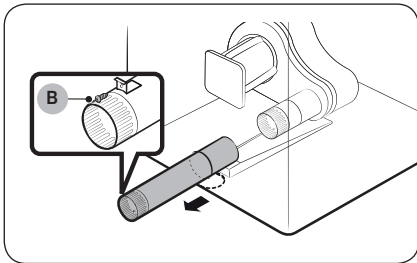
⚠ WARNING

Never leave the back opening uncovered. It must be covered with a cover plate.

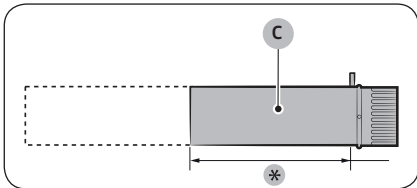
Bottom venting



1. Detach the bottom **knockout (A)**.



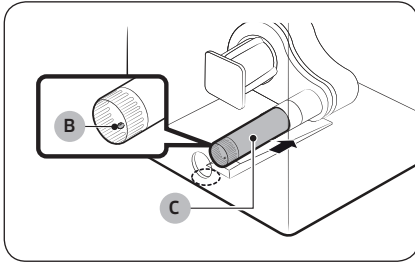
2. Pull the duct out of the dryer, and then remove the **screw (B)** from the duct. Set **screw (B)** aside. You will need it in a later step.



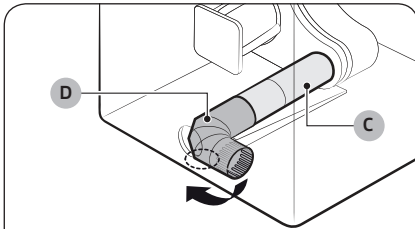
3. Cut the duct as shown and keep the **cut portion of the duct (C)**.

* : 4.9" (125 mm)





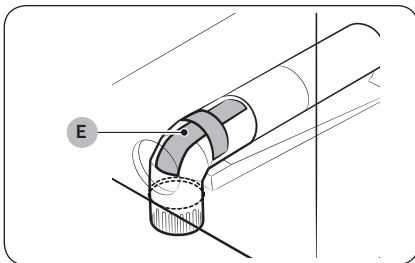
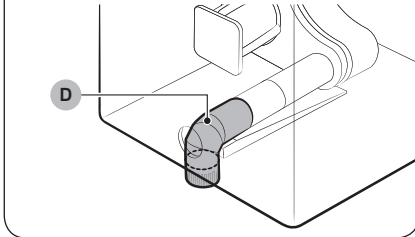
4. Reconnect the **cut portion of the duct (C)**, and then fasten it to the ramp on the appliance base with the **screw (B)** which you set aside in Step 2.



5. Insert the **elbow (D)** through the rear hole and connect it to the **duct (C)**.
6. Rotate the **elbow (D)** through the bottom opening.

⚠ CAUTION

Do not pull or damage the electrical wires inside the dryer when inserting the duct.



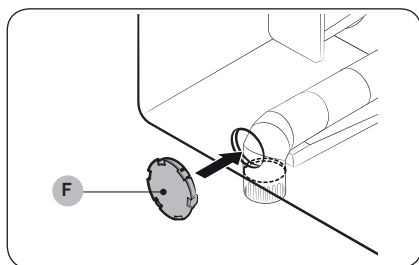
7. Apply **duct tape (E)** on the joint as shown.

⚠ CAUTION

All joints must be secured with duct tape, otherwise, they may separate and cause a safety hazard.



Installation



8. Cover the back opening with a **cover plate (F)**.

⚠ WARNING

Never leave the back opening uncovered. It must be covered with a cover plate.


Vent blockage test

After the dryer is installed, run the Vent Blockage Test function to check if the duct system is properly installed. Vent Blockage Test automatically detects the status of the ducts and reports any blockage or problems. Proper ducting can reduce drying time and save energy.

📖 NOTE

The Vent Blockage Test function must run when the dryer is cool. If the dryer warms up after the installation check, run the **Air Fluff** cycle for several minutes to reduce its internal temperature.

Running the vent blockage test


1. Make sure the drum is empty, and then close the door. (If there are any clothes or other items in the drum, the test will not give accurate results.)
2. Tap  to turn the dryer on, then simultaneously tap and hold **Options** for 3 seconds.
3. Turn the **Navigation dial** to select **Vent Blockage Test**, and then tap **OK**. Vent Blockage Test starts immediately.
 - The test takes about 2 minutes and "**Testing...**" is displayed during the test.

⚠ CAUTION

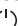
Do not open the door during the test.

📖 NOTE

If you have started other procedures before running Vent Blockage Test, the dryer will not enter the Vent Blockage Test mode.

4. After 2 minutes, when the test is complete, the results are displayed and the dryer sounds a tone. If status of the duct system is normal, an alarm triggers with the "**No problems detected**" message. If the duct system cannot exhaust properly, the check code appears, and the dryer sounds an alarm tone. For description about the code, see the "**Installation check codes**" section on page 31. If there are any other problems, an information code appears in the display. For description about the code, see the "**Information codes**" section on page 57.
 - To stop or cancel Vent Blockage Test, tap  to turn off your dryer.



- The results remain on the display for about 5 minutes and then automatically turn off. You can turn the results off immediately by tapping .

NOTE

- During or after the test, the internal drum is hot. Use caution to prevent burns. The Vent Blockage Test function is used to check for problems in the current duct system when the dryer is installed for the first time.
- If the test result displays check code (the duct system is blocked), refer to the “**Ducting requirements**” section on page 17 and the “**Exhaust ducting guide**” section below, and then take proper measures to correct any problems. If the test is suspended, it could result in incorrect results. Follow the proper procedures when testing the dryer.
- Even if the test result is normal (“**No problems detected**”), the duct system could be blocked slightly. Properly install all duct work according to the installation instructions in this manual.

Installation check codes

Check code	Meaning	Solution
No problems detected	Vent condition is good.	
Vent is nearly clogged	Over 80 % of the vent is clogged. (This may lead to poor drying performance or cause malfunction)	<ol style="list-style-type: none"> 1. Clean the lint filter. 2. Check your vent condition. (Refer to the “Ducting requirements” section) * You must take measures (such as cleaning) through expert personnel.
Leave the dryer at room temperature	The internal temperature of the dryer is too low (below 32 °F (0 °C)) or too high (over 104 °F (40 °C)) and therefore vent blockage cannot be detected.	Leave the dryer at room temperature (41~95 °F (5~35 °C)) for an hour and check again.
Items detected in the drum	Unit is detecting items inside the drum or there is an error on the dry sensor.	Remove items from the drum and check again. If the problem continues, contact a service center.

NOTE

For other information codes, see the “**Troubleshooting**” section on page 57.



Installation

Exhaust ducting guide

Ducting

1. Make sure the dryer is installed properly so the air exhausts freely.
2. Use 4-inch rigid metal ducts. Tape all joints including the dryer connection. Never use lint-trapping screws.
3. To facilitate the exhaust, keep the ducts as straight as possible.

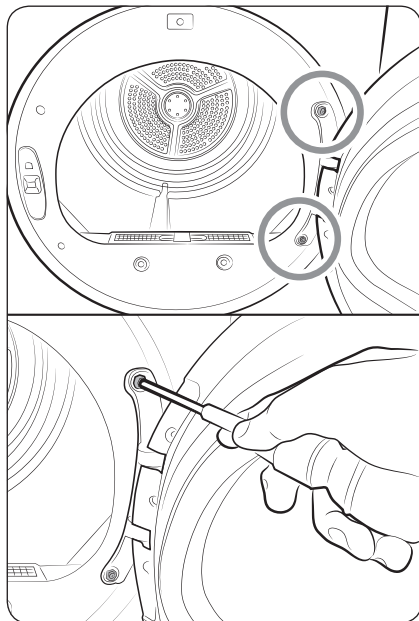
Cleaning

Clean all old ducts before installing the dryer, and make sure the vent flap opens and closes freely. We recommend that you clean the exhaust system annually or on a regular basis.

WARNING

- To prevent fire, do not use plastic, thin-foil, or non-metal flexible ducts of any kind.
- Do not use a poor exhaust system because it slows down the dryer's performance.
- Do not use excessively long ducts that have multiple elbows.
- Do not use crushed or clogged venting or ducts.

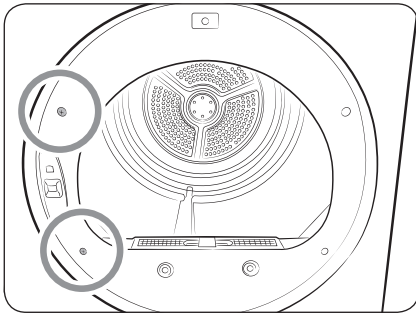
Switching the door position



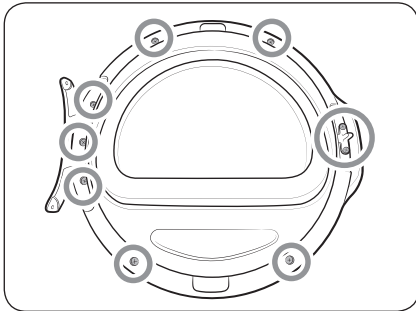
To reverse the direction of the door, we recommend that you contact a qualified technician.

1. Unplug the power cord of the dryer.
2. Remove the two hinge screws from the door, and then remove the door by lifting it up slightly.

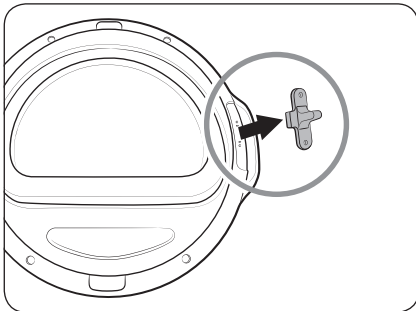




3. Remove the two screws on the opposite side of the door hinge.



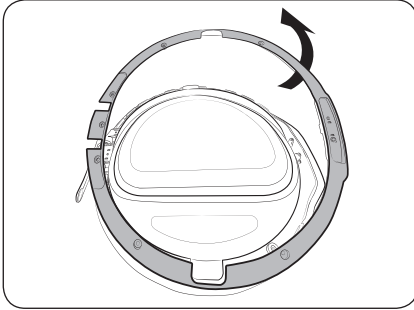
4. Locate and remove the 9 screws from the door as shown.



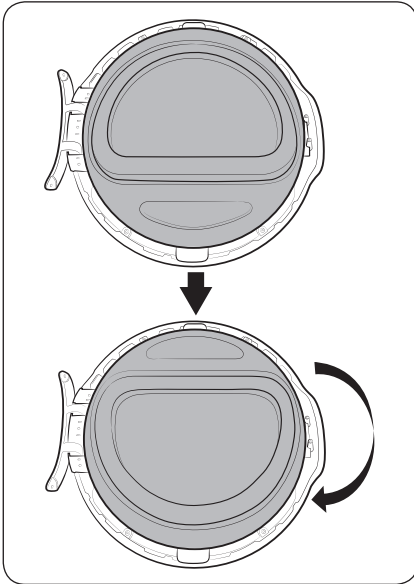
5. Remove the door lever.

Installation

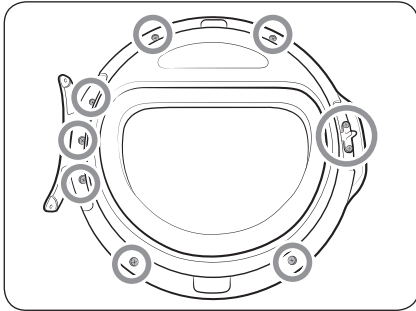
English



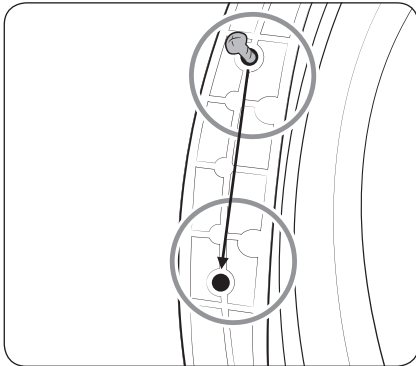
6. Remove the door frame.



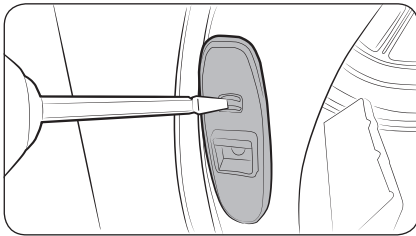
7. Rotate the door glass 180°.



8. Reassemble the door frame and the door lever.



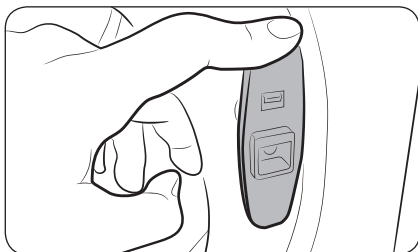
9. Move the location of the screw, used to fix the door hinge, as shown.



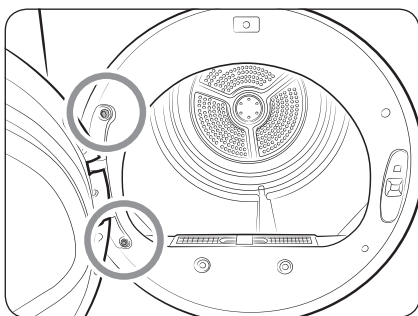
10. Remove the lever cover by pressing the hook on it.



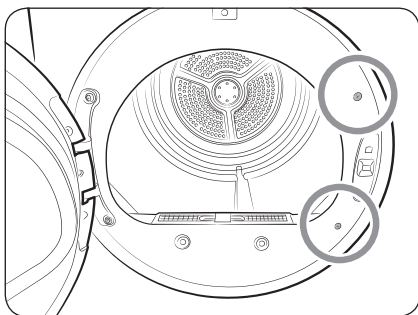
Installation



11. Put the lever holder on the other side as shown.



12. Insert and tighten the two hinge screws.



13. Insert and tighten the two screws on the opposite side of the door hinge.

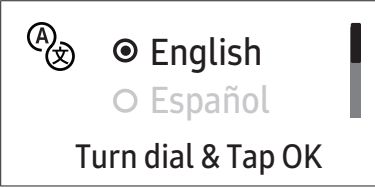
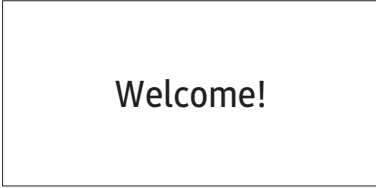
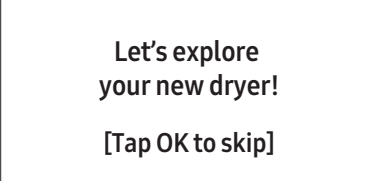
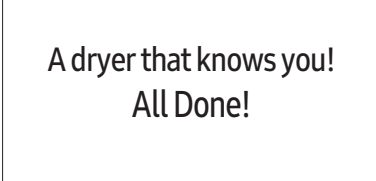


Before you start

Here are a few things you should know before starting your dryer.

Initial setup

- When you turn on your dryer for the first time, the screen shows the initial setup process. Follow the on-screen instructions to complete it.
- If you complete the initial setup and operate a cycle for more than a minute, the initial setup will not appear again.
- The initial setup includes language selection and a brief tutorial.
- When tapping a button, tap exactly over the text.
- Operating the washing machine and dryer at the same time may result in a loss of power depending on where they are installed and your electrical power status.

01 Language selection	02 Welcome screen
	
03 Tutorial	
	

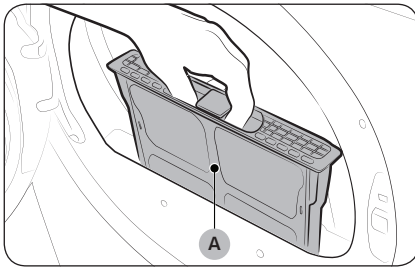
Before you start

Sort and load

- Put one wash load in the dryer at a time.
- Do not mix heavy and lightweight items together.
- To improve drying efficiency for one or two items, add a dry towel to the load.
- For best results, untangle items before inserting them into the dryer. Tangled items may degrade the drying efficiency or cause the door to open.
- Overloading reduces the tumbling action, resulting in uneven drying and wrinkling.
- Unless recommended on the care label, do not dry woolens or fiberglass items.
- Avoid drying unwashed items.
- Do not dry items soiled with oil, alcohol, gasoline, etc.

Functional prerequisite

Lint filter



To prevent a risk of fire, make sure to clean the lint filter before or after every load.

1. Turn off the dryer.
2. Open the door and pull out the **lint filter (A)** from inside the drum.
3. Open the lint filter by separating it at the top. Remove the lint, and then clean the lint filter.
4. Close the lint filter, reinsert the lint filter into the dryer, and then close the dryer door.

⚠ CAUTION

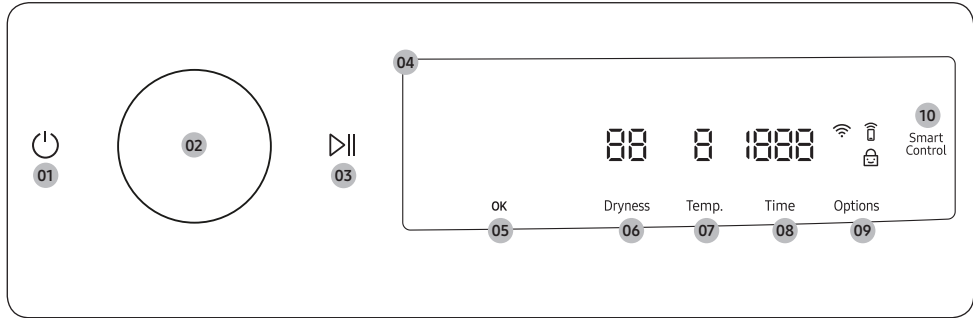
- Do not operate the dryer without the lint filter in place.
- Do not use a damaged or broken lint filter. This may reduce performance and/or cause fire.

Operations

⚠ WARNING

To reduce the risk of fire, electric shock, or injury, read the **“Safety information”** before operating this appliance.

Control panel






<p>01 Power </p>	<p>Tap to turn the dryer on or off.</p> <ul style="list-style-type: none"> If you do not manipulate the control panel for 10 minutes after the dryer is turned on, the dryer automatically turns off. The dryer automatically turns off when the drying completes. <p>⚠ CAUTION Do not tap to turn the dryer off while the drying is in progress. Tap and hold to pause the cycle first, and then tap to turn the dryer off.</p>
<p>02 Navigation dial</p>	<p>Turn the Navigation dial left or right to navigate through cycles and functions. When you turn the Navigation dial, the display shows your selection (such as cycle, additional features, and settings).</p>
<p>03 Start/Pause </p>	<p>Tap and hold to start or pause an operation.</p>
<p>04 Display</p>	<p>The display shows the current cycle, estimated time remaining, cycle options, and other useful or alert messages.</p>
<p>05 OK</p>	<p>Tap to confirm your selection of function or setting.</p>
<p>06 Dryness</p>	<p>Tap to change the dry level for the selected cycle. You can select from level 1 to 5, but available level depends on the selected cycle.</p> <ul style="list-style-type: none"> 4 or 5: Suitable for large and thick items. 3: Standard drying level. 2: The Damp dry level is designed to partially dry items. Use for items that lay flat or hang to dry. 1: Gently dries items to protect fabric. Suitable for delicate items or items you want to naturally dry (by hanging or laying flat on drying rack) while they are damp.



Operations

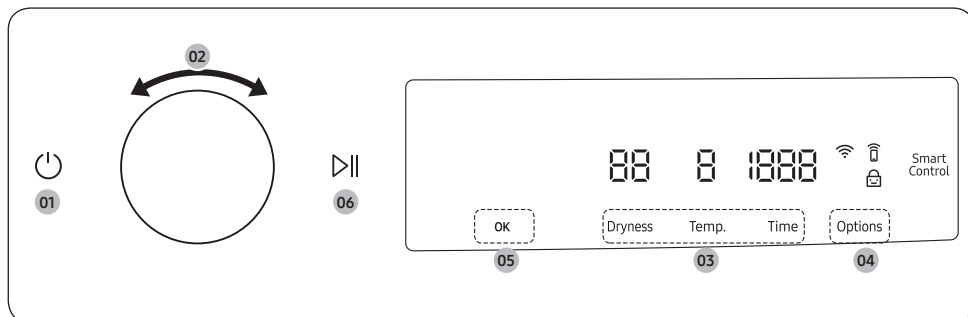
07 Temp.	Temperature can only be adjusted in Time Dry cycle. Tap to change the temperature of the current cycle.
08 Time	Tap to select the cycle time for Small Load, Time Dry, Rack Dry, Air Fluff or Wrinkle Away. You can set the drying time between 10 minutes and 90 minutes. Available drying time depend on the selected cycle.
09 Options	<ul style="list-style-type: none"> • Tap to enter the Options menu. • Tap and hold for 3 seconds to enter the Settings menu.
10 Smart Control (Electric models only)	After connecting the Tumble Dryer to your home network using the SmartThings app, you can control or monitor the dryer remotely. When started, the Smart Control (Smart Monitor) indicator turns on. The dryer enters waiting mode and waits for remote commands.

Icon description

	Wi-Fi	This icon indicates that the dryer is connected to Wi-Fi.
	Smart Control	This icon indicates that Smart Control is on. For more information on “Smart Control” , see page 48.
	Child Lock	This icon indicates that Child Lock is on. For more information on “Child Lock” , see page 45.



Operating a cycle



1. Tap to turn on the dryer.
2. Turn the **Navigation dial** to select the cycle you want. For more information on “**Cycle overview**”, see page **42**.
3. Tap **Dryness**, **Temp.**, or **Time** to change the default cycle settings.
4. Tap **Options**, and then turn the **Navigation dial** to select additional function. For more information on “**Options**”, see page **43**.
5. Tap **OK** to change the settings for selected additional function. Not all cycles have additional features available.
6. Tap and hold to start operation. Once you set the cycle you want, the screen displays a brief cycle description, and cycle time. You can also check the cycle progress, remaining cycle time, and information codes.



Operations

Cycle overview

NOTE

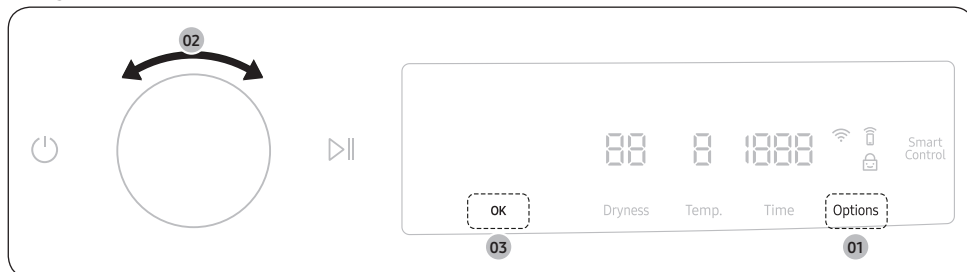
Other cycles can be used after adding them to your cycle list using the My Cycles function. For more information, see the “My Cycles” section on page 44.

Cycle	Description
Normal	For most fabrics including cottons and linens.
Time Dry	You can specify a cycle time by a 10-minute unit.
Heavy Duty	For drying items made out of heavy fabrics, such as jeans, corduroys, or work clothes, with high temperature heat.
Mixed Load	For mixed loads consisting of cotton and synthetic fabrics.
Small Load	Timed cycle for small load items. The default cycle time is 30 minutes. However, you may manually change the cycle time if necessary.
Delicates	For heat-sensitive items at a low drying temperature.
Sanitize	Use to sanitize items by applying high-temperature heat to the fabric. This cycle can make items soft and reduce smells.
Wrinkle Release	The Wrinkle Release cycle will release wrinkles from items that are clean, dry, and only slightly wrinkled, such as clothes from a crowded closet, suitcase or items that have been in the dryer too long after the cycle has ended. Wrinkle Release can be used with any temperature selection.
Towels	Use to dry loads such as bath towels.
Activewear	For exercise wear and outdoor wear such as sports jerseys, training pants, water-repellent jackets, and other performance clothing. Thick fabrics like a zipper or velcro closure of a jacket, or training socks may not be completely dried.
Denim	Use a stepped drying temperature for removing moisture of Jeans and denims.
Shirts	Use to quickly dry a few items such as a shirt.
Wool	For machine washable and tumble dryable wool only. For best results, turn laundry inside out before drying.
Perm Press	Dry wrinkle-free cottons, synthetic fabrics, knits, and permanent press fabrics automatically.
Air Fluff	Tumbles the load in room temperature air.



Options

Using Options



1. Tap **Options**.
2. Turn the **Navigation dial** to select the desired additional function.
3. Tap **OK** to change the selected function's settings or start the function.

NOTE

- To return to the main screen, tap **Options** again or turn the **Navigation dial** to select **Back** and tap **OK**.
- If the selected function is not supported, the "**Currently not supported**" message is displayed, and the **OK** button is not activated.
- When you select an additional function, a brief help message appears for the first ten times of use.
- If you do not manipulate the control panel for 7 seconds after entering the Options menu, the display returns to the main screen.

Wrinkle Prevent

Reduces wrinkles by rotating the drum intermittently after completing the dry cycle. Wrinkle Prevent provides approximately 180 minutes. The load is dry and can be removed at any time during the Wrinkle Prevent cycle.

1. Tap **Options**.
2. Turn the **Navigation dial** to select **Wrinkle Prevent**, and then tap **OK**.
3. Tap **OK** to select **On** or **Off**.



Operations

Damp Alert

This function alerts you when shirts and other items that require ironing are dry enough to be suitable for ironing.

1. Select a cycle and change the cycle settings as necessary.
 - This function is available for Normal, Heavy Duty, Delicates, Perm Press, Towels and Denim with Dryness set to 2-5.
2. Tap **Options**.
3. Turn the **Navigation dial** to select **Damp Alert**, and then tap **OK**.
4. Tap **OK** to select **On** or **Off**.

Alarm during drying:

1. Tap and hold ▷|| to pause the cycle.
2. Open the door and take out the items you want to iron.
3. Close the door, and then tap and hold ▷|| to dry the remaining items.

My Cycles

Add or remove cycles to create a personal cycle list.

1. Tap **Options**.
2. Turn the **Navigation dial** to select **My Cycles**, and then tap **OK**.
 - You can only edit a cycle to create a personal cycle when the dryer is not operating.
3. Turn the **Navigation dial** to select a desired cycle.
4. Tap **OK** to add or remove the selected cycle.
 - Addition and removal of a cycle is saved automatically.
5. Tap **Options** or select **Back** to finish My Cycles setting.

NOTE

The Normal cycle cannot be removed from the cycles list.


Drum Light


You can turn the drum light on or off.

1. Tap **Options**.
2. Turn the **Navigation dial** to select **Drum Light**, and then tap **OK**.
3. Tap **OK** to select **On** or **Off**.
 - The drum light turns on even when the dryer is off. (If the dryer is plugged into a power outlet.)
 - When the dryer door opens, the drum light automatically turns on and automatically turns off after 2 minutes.




Child Lock

To prevent children or infants from accidentally starting or setting the dryer, **Child Lock** locks all buttons except for  and **Options**.

1. Close the door.
2. Tap **Options**.
3. Turn the **Navigation dial** to select **Child Lock**, and then tap **OK**.
4. Tap **OK** to select **On** or **Off**.
 - The **Child Lock**  icon turns on when the function is on.
 - You cannot turn on Child Lock with the door open. If you get the "**Door is open**" message on the display while you try to turn on Child Lock, close the door and try again.

NOTE

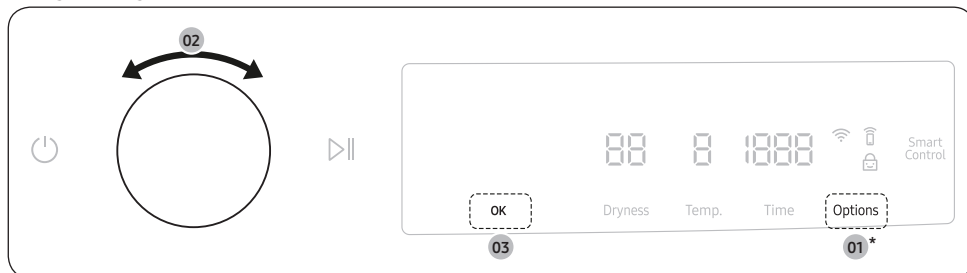
- When Child Lock is on, all buttons are disabled except for  and **Options**.
- If you tap a button with Child Lock on, an alarm triggers with the "**Child Lock on**" message.
- If you open and close the door with Child Lock on, an alarm triggers with the "**Open door & check inside**" and "**Child Lock on**" message.
- To dismiss a notification message, turn off Child Lock or the power.



Operations

Settings

Using Settings



* Tap and hold 3 seconds.

1. Tap and hold **Options** for 3 seconds.
2. Turn the **Navigation dial** and select the desired setting, and then tap **OK**.
3. Tap **OK** to change the selected function's settings or start the function.

NOTE

- To return to the main screen, tap **Options** again or turn the **Navigation dial** to select **Back** and tap **OK**.
- If you do not manipulate the control panel for 7 seconds after entering the Settings menu, the display returns to the main screen.

AI Pattern

This function saves your frequently used cycles and settings.

1. Tap and hold **Options** for 3 seconds.
2. Turn the **Navigation dial** to select **AI Pattern**, and then tap **OK**.
3. Tap **OK** to select **On** or **Off**.
 - The default setting is **On**. Set it to **Off** if you do not want to use this function.
 - When you turn the function on, the dryer remembers frequently used cycles and their settings (Dry Level **Dryness**, Time **Time**) and save them in frequently used order.
 - When you turn off the function, all the saved data resets.



Sound

You can turn on or off the sound from the dryer.


1. Tap and hold **Options** for 3 seconds.
2. Turn the **Navigation dial** to select **Sound**, and then tap **OK**.
3. Tap **OK** to select **On** or **Off**.
 - The default setting is **On**.

NOTE

The setting remains unchanged even if you restart the dryer.

Wi-Fi

You can turn the dryer's Wi-Fi on or off.

1. Tap and hold **Options** for 3 seconds.
2. Turn the **Navigation dial** to select **Wi-Fi**, and then tap **OK**.
3. Tap **OK** to select **On** or **Off**.
 - The dryer's Wi-Fi is off as a factory default setting. However, the dryer's Wi-Fi turns on automatically when you turn on the dryer for the first time. Then, the final Wi-Fi setting maintains regardless of the dryer power status.
 - Once you turn on the dryer's Wi-Fi and connect to a network, the dryer remains connected to the network even when you turn off the power.
 - The Wi-Fi  indicates that the dryer is connected to the router through the Wi-Fi connection.

Language

You can change the system language.

1. Tap and hold **Options** for 3 seconds.
2. Turn the **Navigation dial** to select **Language**, and then tap **OK**.
3. Turn the **Navigation dial** to select the desired language, and then tap **OK**.

Vent Blockage Test

Detects the status of the ducts and reports any blockage or problems.

1. Tap and hold **Options** for 3 seconds.
2. Turn the **Navigation dial** to select **Vent Blockage Test**, and then tap **OK**.
 - Vent Blockage Test starts immediately.

Factory Reset

You can reset your dryer.

1. Tap and hold **Options** for 3 seconds.
2. Turn the **Navigation dial** to select **Factory Reset**, and then tap **OK**.
 - Your dryer resets to the factory setting.



Operations


Special features

Smart Control

You can connect to the SmartThings app and control your dryer remotely.

(**Smart Control** for electric model.)

Connecting your dryer



- Download and open the SmartThings app on your mobile device
- Tap  to turn on the dryer.
- Tap and hold **Smart Control / Smart Monitor** on the dryer.
 - a. The dryer enters AP mode and connects to your mobile device.
 - b. Tap **Smart Control / Smart Monitor** to authenticate your dryer on your mobile device.
 - c. Once the authentication process is complete, your dryer is successfully connected to the app. Use various features available in the SmartThings app.

NOTE

- If your dryer fails to connect with the SmartThings app, try again.
- Check your router if you experience any Internet connection problem after connecting your dryer with the SmartThings app.
- If the Wi-Fi is off, tap and hold **Options** for 3 seconds to navigate to **Settings**, select **Wi-Fi** and tap **OK** to turn it on.
- Turning the dryer's Wi-Fi on allows you connect to the dryer via SmartThings app on your smartphone regardless of the power status of the dryer. However, the dryer appears offline on the SmartThings app if the dryer's Wi-Fi is off.
- Close the door before starting the Smart Control function.
- If you use the dryer 20 times without being connected to SmartThings, the next time you turn the dryer on, a pop-up about Smart Control connection will appear for 3 seconds.
- If the dryer's Wi-Fi is not connected to an AP (access point), the Wi-Fi will turn off when you turn of the power.

Stay Connect

Set up the Stay Connect function in your SmartThings app. Your dryer stays connected to the app so you can use the dryer when you are away from home.

1. If you turn on the Stay Connect function on the SmartThings app, the dryer will stay in standby power saving mode after completing a cycle.
 - The Stay Connect function will remain active for up to 24 hour if the door remains closed.
2. When the Stay Connect function is active, the Smart Control  and Wi-Fi  turn on your dryer display.
3. Conveniently control your dryer using the SmartThings app

NOTE

The dryer switches to standby power saving mode when operation is paused even if the machine is not connected to the SmartThings app.



SmartThings

Wi-Fi connection

On your smartphone, go to **Settings** and turn on the wireless connection and select an AP (Access Point).

- This appliance supports the Wi-Fi 2.4 GHz protocols.

Download

On an app market (Google Play Store, Apple App Store, Samsung Galaxy Apps), find the SmartThings app by searching for "SmartThings". Download and install the app on your device.

NOTE

The app is subject to change without notice for improved performance.

In addition, the further updates on app or the function in the app may stop due to usability and security reasons, even if updates are currently supported on your OS.

Log in

You must first log into SmartThings with your Samsung account. To create a new Samsung account, follow the instructions on the app. You don't need a separate app to create your account.

NOTE

If you have a Samsung account, use the account to log in. A registered Samsung smartphone user automatically logs in.

To register your appliance to SmartThings

1. Make sure your smartphone is connected to a wireless network. If not, go to **Settings** and turn on the wireless connection and select an AP (Access Point).
2. Open **SmartThings** on your smartphone.
3. If you see the message "A new device is found.", select **Add**.
4. If no message appears, select **+** and select your appliance in a list of devices available. If your appliance is not listed, select **Device Type > Specific Device Model**, and then add your appliance manually.
5. Register your appliance to the SmartThings app as follows.
 - a. Add your appliance to SmartThings. Make sure your appliance is connected to SmartThings.
 - b. When registration is complete, your appliance appears on your smartphone.

Operations

Cycle chart

NOTE

For best results, follow the load size recommendations for each dry cycle.

- Large load: Fill the drum to about $\frac{3}{4}$ full. Do not add items over this level as they need to tumble freely.
- ◐ Medium load : Fill the drum to about $\frac{1}{2}$ full.
- ◑ Small load : Fill the drum with 3-5 items, not more than $\frac{1}{4}$ full.

Cycle	Recommended items	Load size	Dry level
Normal	Cottons, work clothes, linens, mixed loads	●	Normal dry, level 5 (Adjustable)
Time Dry	Any load	●	-
Heavy Duty	Heavy fabrics such as jeans, corduroys, heavy work clothes	●	Normal dry, level 5 (Adjustable)
Mixed Load	Mixed load is consisting of cotton and synthetics fabrics	●	Normal dry, level 3 (Adjustable)
Small Load	Small loads	◑	-
Delicates	Underwear, blouses, lingerie	◐	Normal dry, level 5 (Adjustable)
Sanitize	Bedding, Curtains, Children's clothing	◐	Very Dry (No Change)
Wrinkle Release	Shirts, Trouser, Blouses	◑	-
Towels	Bath towels and similar items	●	Normal dry, level 5 (Adjustable)
Activewear	Water-repellent wear, performance clothes, sports wear (Maximum : 4 lbs)	◐	Normal dry, (No Change)
Denim	Jeans, Denims	◐	Normal dry, level 5 (Adjustable)
Shirts	Shirt, Blouses	◑	Normal dry, level 5 (Adjustable)
Wool	For machine washable and tumble dryable wool only (Maximum amount : 3 lbs)	◑	Normal dry, (No Change)
Perm Press	Shirts, synthetic fabrics, knits, wrinkle-free cottons, permanent press	◐	Normal dry, level 5 (Adjustable)
Air Fluff	Foam, rubber, plastic	◑	-

 NOTE

● : factory setting, ▯ : can be selected

Cycle	Functions (Temp. Control)	Time	Options	
			Damp Alert	Wrinkle Prevent
Normal	Medium, level 4		○	○
Time Dry	High, level 5 (Adjustable)	○		○
Heavy Duty	High, level 5		○	○
Mixed Load	Medium, level 4		○	○
Small Load	High, level 5	○		○
Delicates	Extra low, level 1		○	○
Sanitize	High, level 5			○
Wrinkle Release	Medium low, level 3 (Adjustable)	○		○
Towels	High, level 5		○	○
Activewear	Low, level 2			○
Denim	Medium, level 4		○	○
Shirts	Medium, level 4		○	○
Wool	Low, level 2			○
Perm Press	Medium, level 4		▯	○
Air Fluff	-	○		○

Operations

Drying guide

The best way to dry items is to follow the instructions on the care label. If no drying instructions are provided, see the following table for reference.

Items	Description
Bedspreads & Comforters	Follow the care label instructions or dry using Bedding. <ul style="list-style-type: none">• Make sure the item is thoroughly dry before using or storing.• May require repositioning in the drum to ensure even drying.
Blankets	Use Normal and dry only one blanket at a time for best tumbling action. <ul style="list-style-type: none">• Make sure blankets are thoroughly dry before using or storing.
Curtains & Draperies	Use PERM PRESS and the medium low temperature setting to help minimize wrinkling. <ul style="list-style-type: none">• Dry curtains and draperies in small loads for best results and remove as soon as possible after the cycle is complete.
Cloth Diapers	Use Normal and the Medium temperature setting for soft, fluffy diapers.
Down-filled Items (jackets, sleeping bags, comforters, etc.)	Use Normal and the Medium temperature setting. <ul style="list-style-type: none">• Add a couple of dry towels to absorb moisture and shorten drying time.
Foam Rubber (rug backs, stuffed toys, shoulder pads, etc.)	Do not dry on a heat setting. ⚠ WARNING Drying a rubber item with heat may damage it or cause a fire.
Pillows	Use Normal. <ul style="list-style-type: none">• Add a couple of dry towels and a pair of clean sneakers to help the tumbling action and to fluff the pillows.• Do not dry kapok or foam pillows using a heated drying cycle.
Plastics (shower curtains, outdoor furniture covers, etc.)	Use TIME DRY and the Low temperature settings depending on the care label instructions.

⚠ WARNING

Do not dry:

- Fiberglass items (curtains, draperies, etc.)
- Woolens, unless recommended on the label
- Items spotted or soaked with vegetable or cooking oils



Maintenance

Keep the dryer clean for best performance and to lengthen its life cycle.

WARNING

Certain internal parts are intentionally not grounded and may present a risk of electric shock only during servicing.

Service Personnel - Do not contact the following parts while the appliance is energized: Control board and inlet valve.

Cleaning

Control panel

- Clean with a soft, damp cloth. Do not use abrasive substances.
- Do not spray liquid cleaning agents directly onto the dryer display.
- Some laundry pre-treatment soil and stain removers may damage the control panel.
- When using liquid cleaning agents, apply them to the cleaning cloth. Do not apply them directly to the dryer. Wipe up any spills or overspray immediately.

Drum

- Remove any stains from the drum with an all-purpose cleaner.
- Tumble old towels or rags to remove any remaining stains or cleaning substances. Stains may still be visible, but will not affect subsequent loads.

Powder coated drum

To clean the powder coated drum, use a damp cloth with a mild, non-abrasive cleaner suitable for easily marred surfaces.

Remove cleaner residue and dry with a clean cloth.

Dryer exterior

- Clean with a soft, damp cloth. Do not use abrasive substances.
- Protect the surface from sharp objects.
- Do not place any heavy or sharp objects or a detergent container on the dryer. They can scratch or damage the top cover of the dryer.
- The dryer has a high-gloss finish on the entire surface. Be careful not to scratch or damage the surface.

Exhaust system

- Check and clean the exhaust system on a regular basis to maintain optimum performance.
- The external exhaust hood must be cleaned frequently to ensure proper air flow.





Maintenance

Vent sensor

The dryer features a vent sensor that detects and notifies you when it is time to clean the ductwork. Check the following if you get the “**Check the lint filter or vent condition**” message when you turn on the dryer.

NOTE

- For duct installation, see **Exhaust ducting guide** on page **32** and **Ducting requirements** on page **17**.
- The dryer may keep running even if the duct is clogged, but the drying time will be extended.
- When you get the message check the lint filter and the ducts, and clean them if necessary.
- If the message keep appears, it is because the duct is installed or connected with some restrictions (it's too long or has too many bends). This is not a system failure. However, drying time may be extended or the drying performance may be degraded.



Troubleshooting

Checkpoints

If you encounter a problem with the dryer, first check the table below and try the suggestions.

Problem	Action
Dryer does not start.	<ul style="list-style-type: none"> • Make sure the dryer is plugged in. • Make sure the door is properly closed. • Check the fuse or reset the circuit breaker. • If you opened the door during a cycle, tap and hold ▷ again. • Clean the filter. • Make sure Child Lock is not activated.
The dryer does not warm up.	<ul style="list-style-type: none"> • Check your home's circuit breakers or fuses. • Some cycles do not require heat. Check the selected cycle again. • Clean the lint filter and exhaust duct. • The dryer may have moved into the cool-down phase of the cycle.
Items are not dried.	<p>Check all of the above. Additionally:</p> <ul style="list-style-type: none"> • Make sure the exhaust hood outside your home can open and close freely. • Check the exhaust system for lint buildup. Ducting should be inspected and cleaned annually. • Use a 4" rigid metal exhaust duct. • Do not overload. 1 wash load = 1 dryer load. • Dry heavy items and light weight items separately. • Large, bulky items, such as blankets or comforters, may require repositioning to ensure even drying. • Make sure that your washer is draining properly and extracting adequate water from the load. • The load may be too small to tumble properly. Add a few towels and restart the dryer. • The load may be too large to tumble properly. Remove some items and restart the dryer. • Clean the lint filter.
The dryer is too loud.	<ul style="list-style-type: none"> • Look for coins, loose buttons, nails, and other objects and remove them immediately. • Check the lint filter. Remove any items stuck inside the lint filter. • Make sure the dryer is level and standing firmly on the floor. • The dryer may hum due to air moving through the drum and fan. This is normal. • It is normal to hear the dryer gas valve or heating element cycle on and off during the drying cycle.



Troubleshooting

Problem	Action
Items are not dried evenly.	<ul style="list-style-type: none"> Seams, pockets, and other parts of clothing are harder to dry than others. This is normal. Sort heavy and light items separately.
There is a smell coming from the dryer.	<ul style="list-style-type: none"> The smell of paint, varnish, cleaning agents, and other household items could have circulated in the air and entered the dryer. If you notice such a smell, ventilate completely before using the dryer. If drying in an enclosed area, the dryer could cause the ambient temperature to rise. Accordingly, make sure to open a window and ventilate the area. Do not attempt to dry wet items after leaving them in the washing machine or dryer for a long time.
The dryer turns off before the items are dry.	<ul style="list-style-type: none"> The load is too small. Throw in few additional items like towels and try drying again.
The clothes have lint on them.	<ul style="list-style-type: none"> Always make sure the lint filter is clean before putting items into the dryer. When drying items that generate a large amount of lint, you may need to clean the lint filter in the middle of a cycle. Some fabrics (such as white towels) causes more lint and should be dried separately from fabrics that lint attaches easily (such as black linen pants). Check the inside of the pockets to make sure they are empty before drying.
Items still wrinkled after Wrinkle Prevent (Wrinkle Away, Wrinkle Release).	<ul style="list-style-type: none"> Small loads of 1 to 4 items work best. Load fewer items. Load similar-type items. Take out the items immediately after drying is complete.
Water drips from the nozzle when the Steam cycles starts.	<ul style="list-style-type: none"> This is steam condensation. The dripping water will stop after a short time.
Sprayed water is not visible during Steam cycles.	<ul style="list-style-type: none"> Sprayed water is difficult to see when the door is closed.
Extended time.	<ul style="list-style-type: none"> Sensor Dry automatically senses the moisture in the load and shuts the dryer off when the selected dryness level is reached. The drying time can change according to the type and amount of laundry. See the cycle chart for reference.

If a problem persists, contact a local Samsung service center.



Information codes

If the dryer fails to operate, you may see an information code on the display panel. To determine what you should do, check the list of codes in the table below, and then try the suggested actions.

Information code	Meaning	Action
Door is open	Operating the dryer with the door open.	<ul style="list-style-type: none"> • Make sure the door is properly closed. • Make sure laundry is not caught in the door
FC	Invalid power source frequency.	<ul style="list-style-type: none"> • Try restarting the cycle. • If this information code remains, contact a Samsung service center.
AC	Electronic control problem (Invalid Communication).	Contact a Samsung service center.
HC	High temperature heating check.	<ul style="list-style-type: none"> • Clean the lint filter. • If this information code remains, contact a Samsung service center.
9C1	The electronic control needs to be checked.	<ul style="list-style-type: none"> • Check if power cord is connected properly. • Check if the electrical outlet is working properly. • If the information code remains, contact a Samsung service center.
tC	The Thermistor1 resistance is very low or high.	<ul style="list-style-type: none"> • Check for a clogged lint screen. • Check if the vent system is restricted. • If this information code remains, contact a Samsung service center.
tC5	The Thermistor2 resistance is very low or high.	<ul style="list-style-type: none"> • Check for a clogged lint screen. • Check if the vent system is restricted. • If this information code remains, contact a Samsung service center.
dF	Incorrect door switch.	Contact a Samsung service center.

If any information code keeps appearing on the display, contact a Samsung service center.



Specifications

Fabric care chart

The following symbols provide garment care direction. The clothing care labels include symbols for drying, bleaching, ironing, and dry cleaning. The use of symbols ensures consistency among garment manufacturers of domestic and imported items. Follow care label directions to optimize garment life and reduce laundering problems.

Wash cycle

	Normal
	Permanent press/Wrinkle resistant/Wrinkle control
	Gentle/Delicates
	Hand wash

Water temperature

	Hot
	Warm
	Cold

NOTE

The Water Temperature table lists appropriate wash water temperatures for various items. The temperature range is 106-126 °F (41-52 °C) for Hot, 84-106 °F (29-41 °C) for Warm, and 61-84 °F (16-29 °C) for Cold. (Wash water temperature must be a minimum of 61 °F (16 °C) for detergent activation and effective cleaning.)

Bleach

	Any bleach (when needed)
	Only non-chlorine (color-safe) bleach (when needed)
	Tumble dry

Normal

	Permanent press/Wrinkle resistant/Wrinkle control
	Gentle/Delicates

Special instructions

	Line dry/Hang to dry
	Drip dry
	Dry flat

Heat setting







	High
	Medium
	Low
	Any heat
	No heat / Air

Iron dry or steam temperatures






	High
	Medium
	Low



Warning symbols for laundering

	Do not wash
	Do not wring
	Do not bleach
	Do not tumble dry
	No steam (added to iron)
	Do not iron

Dry-clean

	Dry-clean
	Do not dry-clean
	Line dry / Hang to dry
	Drip dry
	Dry flat

Protecting the environment

This appliance is manufactured from recyclable materials. If you decide to dispose of this appliance, please observe local waste disposal regulations. Cut off the power cord so that the appliance cannot be connected to a power source. Remove the door so that animals and small children cannot get trapped inside the appliance.

Specification sheet

Type		Front loading dryer
Capacity (Cu.ft)		4.0
Weight	lb (kg)	110 (50)
Heater rating	Electric (W)	2200
Power consumption (W)		2500



LIMITED WARRANTY (U.S.A.)

SAMSUNG DRYER

LIMITED WARRANTY TO ORIGINAL CONSUMER PURCHASER WITH PROOF OF PURCHASE

This SAMSUNG brand product, as supplied and distributed by SAMSUNG ELECTRONICS AMERICA, INC. (SAMSUNG) and delivered new, in the original carton to the original consumer purchaser, is warranted by SAMSUNG against manufacturing defects in materials or workmanship for the limited warranty period, starting from the date of original purchase, of:

One (1) Year All Parts and Labor

This limited warranty is valid only on products purchased and used in the United States that have been installed, operated, and maintained according to the instructions attached to or furnished with the product. To receive warranty service, the purchaser must contact SAMSUNG at the address or phone number provided below for problem determination and service procedures. Warranty service can only be performed by a SAMSUNG authorized service center. The original dated bill of sale must be presented upon request as proof of purchase to SAMSUNG or SAMSUNG's authorized service center to receive warranty service.

SAMSUNG will provide in-home service within the contiguous United States during the warranty period at no charge, subject to availability of SAMSUNG authorized servicers within the customer's geographic area. If in-home service is not available, SAMSUNG may elect, at its option, to provide transportation of the product to and from an authorized service center. If the product is located in an area where service by a SAMSUNG authorized servicer is not available, you may be responsible for a trip charge or required to bring the product to a SAMSUNG authorized service center for service.

To receive in-home service, product must be unobstructed and accessible to the service agent.

During the applicable warranty period, a product will be repaired, replaced, or the purchase price refunded, at the sole option of SAMSUNG. SAMSUNG may use new or reconditioned parts in repairing a product, or replace the product with a new or reconditioned product. Replacement parts and products are warranted for the remaining portion of the original product's warranty or ninety (90) days, whichever is longer. All replaced parts and products are the property of SAMSUNG and you must return them to SAMSUNG.

This limited warranty covers manufacturing defects in materials or workmanship encountered in normal household, noncommercial use of this product and shall not cover the following: damage that occurs in shipment, delivery, installation, and uses for which this product was not intended; damage caused by unauthorized modification or alteration of the product; product where the original factory serial numbers have been removed, defaced, changed in any way, or cannot be readily determined; cosmetic damage including scratches, dents, chips, and other damage to the product's finishes; damage caused by abuse, misuse, pest infestations, accident, fire, floods, or other acts of nature or God; damage caused by use of equipment, utilities, services, parts, supplies, accessories, applications, installations, repairs, external wiring or connectors not supplied or authorized by SAMSUNG; damage caused by incorrect electrical line current, voltage, fluctuations and surges; damage caused by failure to operate and maintain the product according to instructions; in-home instruction on how to use your product; and service to correct installation not in accordance with electrical or plumbing codes or correction of household electrical or plumbing (i.e., house wiring, fuses, or water inlet hoses). The cost of repair or replacement under these excluded circumstances shall be the customer's responsibility.



Visits by an authorized servicer to explain product functions, maintenance or installation are not covered by this limited warranty. Please contact SAMSUNG at the number below for assistance with any of these issues.

EXCLUSION OF IMPLIED WARRANTIES

IMPLIED WARRANTIES, INCLUDING THE IMPLIED WARRANTIES OF MERCHANTABILITY OR FITNESS FOR A PARTICULAR PURPOSE, ARE LIMITED TO ONE YEAR OR THE SHORTEST PERIOD ALLOWED BY LAW. Some states do not allow limitations on how long an implied warranty lasts, so the above limitations or exclusions may not apply to you. This warranty gives you specific rights, and you may also have other rights, which vary from state to state.

LIMITATION OF REMEDIES

YOUR SOLE AND EXCLUSIVE REMEDY IS PRODUCT REPAIR, PRODUCT REPLACEMENT, OR REFUND OF THE PURCHASE PRICE AT SAMSUNG'S OPTION, AS PROVIDED IN THIS LIMITED WARRANTY. SAMSUNG SHALL NOT BE LIABLE FOR SPECIAL, INCIDENTAL OR CONSEQUENTIAL DAMAGES, INCLUDING BUT NOT LIMITED TO TIME AWAY FROM WORK, HOTELS AND/OR RESTAURANT MEALS, REMODELING EXPENSES, LOSS OF REVENUE OR PROFITS, FAILURE TO REALIZE SAVINGS OR OTHER BENEFITS REGARDLESS OF THE LEGAL THEORY ON WHICH THE CLAIM IS BASED, AND EVEN IF SAMSUNG HAS BEEN ADVISED OF THE POSSIBILITY OF SUCH DAMAGES. Some states do not allow exclusion or limitation of incidental or consequential damages, so the above limitations or exclusions may not apply to you. This warranty gives you specific rights, and you may also have other rights, which vary from state to state.

SAMSUNG does not warrant uninterrupted or error-free operation of the product. No warranty or guarantee given by any other person, firm, or corporation with respect to this product shall be binding on SAMSUNG.

To obtain warranty service, please contact SAMSUNG at:

Samsung Electronics America, Inc.

85 Challenger Road

Ridgefield Park, NJ 07660

1-800-SAMSUNG (726-7864)

www.samsung.com/us/support



Warranty (CANADA)

SAMSUNG DRYER

LIMITED WARRANTY TO ORIGINAL PURCHASER

This SAMSUNG brand product, as supplied and distributed by SAMSUNG ELECTRONICS CANADA, INC. (SAMSUNG) and delivered new, in the original carton to the original consumer purchaser, is warranted by SAMSUNG against manufacturing defects in materials and workmanship for a limited warranty period of:

- One (1) year part and labor

This limited warranty begins on the original date of purchase, and is valid only on products purchased and used in the Canada.

To receive warranty service, the purchaser must contact SAMSUNG for problem determination and service procedures.

Warranty service can only be performed by a SAMSUNG authorized service center.

The original dated bill of sale must be presented upon request as proof of purchase to SAMSUNG or SAMSUNG's authorized service center.

SAMSUNG will provide in-home service during the warranty period at no charge, subject to availability within the Canada.

In-home service is not available in all areas.

To receive in-home service, product must be unobstructed and accessible to the service agent.

If service is not available, SAMSUNG may elect to provide transportation of the product to and from an authorized service center.

SAMSUNG will repair, replace, or refund this product at our option and at no charge as stipulated herein, with new or reconditioned parts or products if found to be defective during the limited warranty period specified above.

All replaced parts and products become the property of SAMSUNG and must be returned to SAMSUNG.

Replacement parts and products assume the remaining original warranty, or ninety (90) days, whichever is longer.

This limited warranty covers manufacturing defects in materials and workmanship encountered in normal, noncommercial use of this product and shall not apply to the following: damage that occurs in shipment; delivery and installation; applications and uses for which this product was not intended; altered product or serial numbers; cosmetic damage or exterior finish; accidents, abuse, neglect, fire, water, lightning, or other acts of nature or God; use of products, equipment, systems, utilities, services, parts, supplies, accessories, applications, installations, repairs, external wiring or connectors not supplied or authorized by SAMSUNG that damage this product or result in service problems; incorrect electrical line voltage, fluctuations and surges; customer adjustments and failure to follow operating instructions, maintenance and environmental instructions that are covered and prescribed in the instruction book; product removal and reinstallation; problems caused by pest infestations.

This limited warranty does not cover problems resulting from incorrect electric current, voltage or supply, light bulbs, house fuses, house wiring, cost of a service call for instructions, or fixing installation errors.

SAMSUNG does not warrant uninterrupted or error-free operation of the product.



EXCEPT AS SET FORTH HEREIN, THERE ARE NO WARRANTIES ON THIS PRODUCT EITHER EXPRESS OR IMPLIED, AND SAMSUNG DISCLAIMS ALL WARRANTIES INCLUDING, BUT NOT LIMITED TO, ANY IMPLIED WARRANTIES OF MERCHANTABILITY, INFRINGEMENT OR FITNESS FOR A PARTICULAR PURPOSE. NO WARRANTY OR GUARANTEE GIVEN BY ANY PERSON, FIRM, OR CORPORATION WITH RESPECT TO THIS PRODUCT SHALL BE BINDING ON SAMSUNG.

SAMSUNG SHALL NOT BE LIABLE FOR LOSS OF REVENUE OR PROFITS, FAILURE TO REALIZE SAVINGS OR OTHER BENEFITS, OR ANY OTHER SPECIAL, INCIDENTAL OR CONSEQUENTIAL DAMAGES CAUSED BY THE USE, MISUSE, OR INABILITY TO USE THIS PRODUCT, REGARDLESS OF THE LEGAL THEORY ON WHICH THE CLAIM IS BASED, AND EVEN IF SAMSUNG HAS BEEN ADVISED OF THE POSSIBILITY OF SUCH DAMAGES. NOR SHALL RECOVERY OF ANY KIND AGAINST SAMSUNG BE GREATER IN AMOUNT THAN THE PURCHASE PRICE OF THE PRODUCT SOLD BY SAMSUNG AND CAUSING THE ALLEGED DAMAGE.

WITHOUT LIMITING THE FOREGOING, PURCHASER ASSUMES ALL RISK AND LIABILITY FOR LOSS, DAMAGE, OR INJURY TO PURCHASER AND PURCHASER'S PROPERTY AND TO OTHERS AND THEIR PROPERTY ARISING OUT OF THE USE, MISUSE, OR INABILITY TO USE THIS PRODUCT.

THIS LIMITED WARRANTY SHALL NOT EXTEND TO ANYONE OTHER THAN THE ORIGINAL PURCHASER OF THIS PRODUCT, IS NONTRANSFERABLE AND STATES YOUR EXCLUSIVE REMEDY.

Some provinces do not allow limitations on how long an implied warranty lasts, or the exclusion or limitation of incidental or consequential damages, so the above limitations or exclusions may not apply to you.

This warranty gives you specific rights, and you may also have other rights, which vary from province to province.

To obtain warranty service, please contact SAMSUNG at:

Samsung Electronics Canada Inc.

2050 Derry Road West,

Mississauga, Ontario L5N 0B9 Canada

1-800-SAMSUNG (726-7864)

www.samsung.com/ca/support (English)

www.samsung.com/ca_fr/support (French)

Visits by a Service Engineer to explain functions, maintenance, or installation is not covered by warranty. Please contact the Samsung call center at the number above for help with any of these issues.



Scan the QR code* or visit
www.samsung.com/spsn
to view our helpful
How-to Videos and Live Shows

*Requires reader to be installed on your smartphone

Scan this with your smartphone



This product qualifies for ENERGY STAR in
the factory default "**Normal**" setting.

If you change the factory default setting or
enable other features, power consumption
could increase and exceed the limits
qualified for ENERGY STAR.

QUESTIONS OR COMMENTS?

COUNTRY	CALL	OR VISIT US ONLINE AT
U.S.A	1-800-SAMSUNG (726-7864)	www.samsung.com/us/support
CANADA	1-800-SAMSUNG(726-7864)	www.samsung.com/ca/support (English) www.samsung.com/ca_fr/support (French)



Sèche-linge

Manuel d'utilisation

DV25B6900H*

SAMSUNG



Table des matières

Consignes de sécurité	4
Remarques importantes sur les consignes de sécurité	4
Importants symboles de sécurité	4
AVERTISSEMENT DE LA PROPOSITION 65 DE L'ÉTAT DE LA CALIFORNIE	6
Consignes de sécurité importantes	7
Avertissements	8
Mises en garde	8
Avis réglementaire	10
Avis concernant la FCC	10
Notification IC	11
Déclaration de logiciel open source	12
Exigences d'installation	13
Conditions d'installation principales	13
Choix de l'emplacement d'installation	13
Normes électriques	17
Installation	19
Pièces incluses	19
Installation étape par étape	21
Changement de sens du conduit d'évacuation (facultatif)	26
Test de blocage de l'aération	30
Guide de connexion des conduites d'évacuation	32
Changement de position de la porte	32
Avant de démarrer	37
Configuration initiale	37
Tri et charge	38
Conditions de fonctionnement préalables	38



Opérations	39
Panneau de commande	39
Utilisation d'un cycle	41
Présentation des cycles	42
Options	43
Réglages	46
Fonctions spéciales	48
Tableau des programmes	50
Guide de séchage	52
Maintenance	53
Nettoyage	53
Dépannage	55
Contrôles à effectuer	55
Codes d'information	57
Caractéristiques techniques	58
Tableau des symboles d'entretien des textiles	58
Protection de l'environnement	59
Fiche de spécifications	59



Consignes de sécurité

Félicitations pour l'achat de votre nouveau sèche-linge Samsung. Ce manuel contient de précieuses informations concernant l'installation, l'utilisation et l'entretien de votre appareil. Prenez le temps de le lire pour tirer pleinement profit de tous les avantages et de toutes les fonctionnalités de votre sèche-linge.

Remarques importantes sur les consignes de sécurité

Veuillez lire attentivement ce manuel pour vous assurer que vous savez comment utiliser efficacement toutes les caractéristiques et fonctions de votre nouvel appareil en toute sécurité. Conservez ce manuel dans un endroit sûr situé à proximité de l'appareil afin de pouvoir facilement vous y reporter en cas de besoin. N'utilisez pas cet appareil autrement que pour l'usage auquel il est destiné, conformément aux consignes du manuel.

Les avertissements et les consignes de sécurité importantes cités dans ce manuel ne couvrent pas toutes les conditions et les situations susceptibles de se produire. Il est de votre responsabilité de faire preuve de bon sens, de prudence et de discernement lors de l'installation, de l'entretien et de l'utilisation de votre sèche-linge.

Ces consignes d'utilisation couvrant plusieurs modèles, il se peut que les caractéristiques de votre sèche-linge diffèrent légèrement de celles décrites dans ce manuel ; ainsi, certaines icônes d'avertissement peuvent ne pas s'appliquer à votre machine. Pour toute question ou renseignement, contactez le service après-vente le plus proche ou recherchez des informations et consultez l'aide en ligne sur www.samsung.com.

Importants symboles de sécurité

Signification des icônes et signes repris dans ce manuel d'utilisation :

AVERTISSEMENT

Risques ou pratiques dangereuses susceptibles de provoquer des blessures corporelles graves, le décès et/ou des dommages matériels.

ATTENTION

Risques ou pratiques dangereuses susceptibles de provoquer des blessures corporelles graves et/ou des dommages matériels.

REMARQUE

Indique qu'un risque de blessure à la personne ou de dommage matériel existe.

Ces symboles d'avertissement sont présents pour prévenir toute blessure, à vous-même ou à d'autres personnes.

Veillez les respecter scrupuleusement.

Après avoir lu ce manuel, conservez-la dans un endroit sûr pour vous y référer ultérieurement.

Lisez attentivement toutes les consignes avant d'utiliser l'appareil.

Comme pour tout appareil électrique comportant des parties mobiles, des risques existent. Pour utiliser cet appareil en toute sécurité, familiarisez-vous avec son fonctionnement et faites preuve de prudence lorsque vous l'utilisez.

CONSERVEZ SOIGNEUSEMENT CES CONSIGNES



AVERTISSEMENT - Risque d'incendie

- L'installation du sèche-linge doit être effectuée par un technicien qualifié.
- L'installation du sèche-linge doit se faire conformément aux instructions du fabricant et aux réglementations locales.
- N'équipez jamais un sèche-linge de conduits de ventilation en plastique flexible. Si vous utilisez un conduit en métal flexible (de type aluminium), celui-ci doit être conforme aux spécifications du fabricant et adapté à une utilisation sur sèche-linge. Les matériaux flexibles utilisés dans les systèmes d'évacuation de l'air ont tendance à se plier, à s'écraser et à retenir les peluches de tissu. Ces conditions empêchent une évacuation adéquate de l'air et augmentent les risques d'incendie.
- Pour réduire les risques de blessure grave ou de décès, observez attentivement les consignes d'installation.
- Conservez soigneusement ces instructions.

AVERTISSEMENT - Risque d'incendie ou d'explosion

- Si les avertissements de sécurité ne sont pas suivis à la lettre, des blessures graves voire mortelles ou des dégâts matériels pourraient survenir.
- N'entreposez ni n'utilisez jamais d'essence ou d'autres produits inflammables à proximité de cet appareil ou de tout autre appareil.
- L'installation et l'entretien doivent être effectués par un installateur qualifié, une agence spécialisée dans l'entretien.

CONSERVEZ SOIGNEUSEMENT CES CONSIGNES

Consignes de sécurité

AVERTISSEMENT - Pour réduire le risque d'incendie ou d'explosion :

- Ne faites sécher aucun article ayant été précédemment en contact par nettoyage, lavage ou trempage avec de l'essence, des solvants de nettoyage à sec ou toute autre substance inflammable ou explosive. En effet, ceux-ci diffusent des vapeurs pouvant s'enflammer ou exploser. Ne placez aucun article ayant été en contact avec un solvant ou des matières solides ou liquides inflammables dans le sèche-linge tant que toutes les traces de ces produits n'ont pas été éliminées. De nombreux produits inflammables sont utilisés dans l'environnement domestique comme l'acétone, l'alcool dénaturé, l'essence, le kérosène, certains nettoyeurs ménagers sous forme liquide, certains détachants, la térébenthine, les cires et les produits décapants.
- Ne faites jamais sécher à chaud les articles à base de caoutchouc mousse (également appelé mousse de latex) ou de matériaux dont la texture ressemble à celle du caoutchouc. En effet, les matières en caoutchouc mousse peuvent, dans certaines circonstances, s'enflammer spontanément.

AVERTISSEMENT DE LA PROPOSITION 65 DE L'ÉTAT DE LA CALIFORNIE

AVERTISSEMENT

Peut causer le cancer et avoir des effets nocifs sur la reproduction — www.P65Warnings.ca.gov.

CONSERVEZ SOIGNEUSEMENT CES CONSIGNES

Consignes de sécurité importantes

⚠ AVERTISSEMENT

Afin de réduire les risques d'incendie, d'électrocution ou de blessures physiques lors de l'utilisation de l'appareil, des précautions de base doivent être prises :

1. Lisez toutes les consignes de sécurité avant d'utiliser l'appareil.
2. Ne faites pas sécher de linge ayant été en contact par nettoyage, lavage ou trempage avec de l'essence, des solvants de nettoyage à sec ou tout autre substance inflammable ou explosive ; ces produits dégagent en effet des vapeurs qui risqueraient de s'enflammer ou d'exploser.
3. N'utilisez pas le sèche-linge pour faire sécher des vêtements comportant des traces de substances inflammables telles que de l'huile végétale, de l'huile de cuisson, de l'huile de machine, des produits chimiques inflammables, des solvants, etc. ou des objets comportant des traces de cire ou de produits chimiques. Ils risqueraient de prendre feu.
4. N'entreposez ni n'utilisez jamais d'essence ou d'autres produits inflammables à proximité de cet appareil ou de tout autre appareil.
5. Ne laissez pas les enfants jouer sur ou dans l'appareil. Une surveillance attentive s'impose lorsque l'appareil est utilisé à proximité d'enfants.
6. Avant la mise hors service ou au rebut de l'appareil, retirez le hublot du tambour.
7. Ne tentez pas d'ouvrir l'appareil lorsque le tambour est en mouvement.
8. N'installez et n'entreposez jamais cet appareil dans un endroit exposé aux intempéries.
9. N'utilisez pas les commandes internes inutilement.
10. Ne procédez pas à la réparation ou au remplacement des pièces de l'appareil et ne tentez pas non plus de le réparer vous-même, sauf si le manuel d'entretien ou de réparation contient des recommandations spécifiques en la matière que vous comprenez et êtes en mesure d'exécuter.
11. N'utilisez aucun adoucissant ou produit antistatique autre que ceux recommandés par le fabricant du produit ou de l'appareil.
12. Nettoyez le filtre avant ou après chaque utilisation.
13. Ne sélectionnez pas une température élevée pour faire sécher des articles contenant du caoutchouc mousse ou des matériaux dont la texture est similaire à celle du caoutchouc.
14. L'intérieur de l'appareil et du conduit d'évacuation doit être nettoyé régulièrement, par un technicien de maintenance qualifié.
15. Ne faites pas sécher du linge ayant été en contact avec de l'huile de cuisson. Il risquerait de s'enflammer. Pour réduire le risque d'incendie dû à du linge contaminé, la phase finale d'un cycle du sèche-linge se fait sans chaleur (période de refroidissement). Évitez d'arrêter un sèche-linge avant la fin de son cycle de séchage, sauf si vous sortez et étendez immédiatement le linge afin que la chaleur se dissipe.
16. Cet appareil doit être mis à la terre. Reportez-vous aux chapitres « **Normes électriques** » et « **Mise à la terre** » dans la section « **Installation** ».

CONSERVEZ SOIGNEUSEMENT CES CONSIGNES



Consignes de sécurité

17. Ne laissez pas les enfants jouer sur ou dans l'appareil. Une surveillance attentive s'impose lorsque l'appareil est utilisé à proximité d'enfants.
18. N'insérez pas votre main sous le sèche-linge.
 - Cela pourrait provoquer des blessures.
19. Veillez à ce que les doigts des enfants ne soient pas pris dans la porte en la fermant.
 - Cela pourrait provoquer des blessures.

Avertissements

AVERTISSEMENT

- Vérifiez que les poches sont vides. Les petits objets aux bords irréguliers (pièces de monnaie, canifs, épingles, etc.) risquent en effet d'endommager votre sèche-linge.
- Bouts tranchants — afin de réduire tout risque de blessure, faites attention pendant le nettoyage du condenseur ou des fentes de l'évaporateur.
- La mise à la terre de certaines pièces internes n'a volontairement pas été effectuée ; ces éléments peuvent donc présenter un risque d'électrocution (lors de l'entretien uniquement). Technicien de maintenance - Ne touchez pas les pièces suivantes lorsque l'appareil est sous tension: Panneau de commande, Moteur, Pompe de vidange.

Mises en garde

ATTENTION

- Ne laissez ni les enfants ni les animaux domestiques jouer sur, dans ou devant l'appareil. Une surveillance attentive s'impose lorsque l'appareil est utilisé à proximité d'enfants ou d'animaux domestiques.
- Avant de mettre au rebut ou hors service votre sèche-linge, retirez le hublot du compartiment de séchage pour éviter que des enfants ou des animaux ne se trouvent piégés à l'intérieur de l'appareil.
- N'ouvrez pas le sèche-linge lorsque le tambour est en mouvement.
- N'installez et n'entrez jamais cet appareil dans un endroit exposé aux intempéries.
- N'utilisez pas les commandes du sèche-linge inutilement.
- Ne procédez pas à la réparation, au remplacement ou à l'entretien des pièces de l'appareil sauf si le manuel d'entretien contient des recommandations spécifiques en la matière, si vous comprenez ces recommandations et si vous disposez des compétences requises pour réaliser l'opération.
- N'utilisez aucun adoucissant ou produit anti-statique autre que ceux recommandés par le fabricant.
- Nettoyez le filtre avant ou après chaque utilisation.
- Évitez toute accumulation de peluches, poussières et saletés à proximité de l'orifice d'évacuation.
- L'intérieur du sèche-linge et du conduit d'évacuation doit être nettoyé régulièrement, par un technicien de maintenance qualifié.

CONSERVEZ SOIGNEUSEMENT CES CONSIGNES



- Cet appareil doit être correctement mis à la terre. Ne branchez jamais le cordon d'alimentation sur une prise qui n'est pas correctement reliée à la terre ou qui n'est pas conforme aux réglementations locales et nationales en vigueur. Consultez les consignes d'installation pour relier cet appareil à la terre.
- Ne vous asseyez pas sur le sèche-linge.
- Évitez de faire sécher des vêtements comportant de grandes boucles, des boutons ou d'autres accessoires en métal lourd.
- Installez-le et utilisez-le conformément aux consignes du fabricant.
- N'introduisez aucun article imprégné ou tâché d'huile végétale ou alimentaire dans votre sèche-linge. Même une fois lavés, ces articles peuvent encore contenir une quantité non négligeable d'huile.
- Toute huile résiduelle risque de s'enflammer spontanément. Le potentiel de combustion spontanée augmente lorsque les articles imbibés d'huile végétale ou alimentaire sont exposés à la chaleur. Les sources de chaleur comme votre sèche-linge peuvent chauffer ces articles, engendrant une oxydation de l'huile. Cette oxydation crée elle-même de la chaleur. Si cette chaleur ne se dissipe pas, les articles deviennent suffisamment brûlants pour s'enflammer. Entasser, empiler ou stocker ce type d'articles peut empêcher la dissipation de la chaleur et être à l'origine d'un risque d'incendie.
- Tout le linge imbibé d'huile végétale ou alimentaire, qu'il soit lavé ou non, peut s'avérer dangereux. Le fait de laver ces articles à l'eau chaude avec une dose supplémentaire de lessive réduit ce risque, sans pour autant le supprimer. Utilisez toujours le programme de refroidissement Cool Down (Refroidissement), afin de réduire leur température. Ne retirez jamais ces articles du sèche-linge lorsqu'ils sont chauds ; de même, n'interrompez pas le programme de séchage tant que le cycle Cool Down (Refroidissement) n'est pas terminé. N'entassez et n'empilez pas ces articles lorsqu'ils sont chauds.

CONSERVEZ SOIGNEUSEMENT CES CONSIGNES



Avis réglementaire

Avis concernant la FCC

ATTENTION

Tous les changements ou modifications non expressément approuvé(e)s par l'autorité responsable de la conformité à la réglementation peut annuler le droit de l'utilisateur à utiliser cet appareil.

Cet appareil est conforme aux dispositions de la section 15 du règlement de la FCC. Le fonctionnement est soumis aux deux conditions suivantes :

1. Cet appareil ne doit pas causer d'interférences nuisibles ; et
2. Cet appareil doit accepter toute autre interférence reçue, y compris les interférences pouvant entraîner un fonctionnement non désiré.

Pour les appareils vendus aux États-Unis et au Canada, seuls les canaux 1 à 11 sont disponibles. Vous ne pouvez pas sélectionner d'autres canaux.

DÉCLARATION DE LA FCC :

Cet équipement a été testé et s'est avéré conforme aux limites d'un dispositif numérique de classe B, conformément à la section 15 du règlement de la FCC. Ces limites sont conçues pour assurer la protection raisonnable contre des interférences nuisibles dans une installation résidentielle.

Cet appareil génère, utilise et peut émettre de l'énergie radio électrique et, s'il n'est pas installé et utilisé conformément aux instructions, peut provoquer des interférences nuisibles aux communications par signal radio. Cependant, il n'y a aucune garantie que des interférences ne se produiront pas dans une installation particulière. Si cet appareil cause des interférences nuisibles à la réception des signaux de radio ou de télévision, ce qui peut être déterminé en allumant et en éteignant l'appareil, l'utilisateur est encouragé à essayer de corriger l'interférence par une ou plusieurs des mesures suivantes :

- Réorienter ou déplacer l'antenne de réception
- Espacer davantage l'appareil du récepteur
- Brancher l'équipement sur la prise d'un circuit différent de celui de la radio ou de la télévision.
- Consulter le revendeur ou un technicien expérimenté en radio/télévision pour obtenir de l'aide.

DÉCLARATION DE LA FCC SUR L'EXPOSITION AUX RADIATIONS :

Cet appareil est conforme aux limitations prévues par la FCC pour l'exposition aux radiations dans le cadre d'un environnement d'accès libre. Cet appareil doit être installé et utilisé avec une distance minimale de 8 pouces (20 cm) entre le radiateur et votre corps. Ce dispositif et son(s) antenne(s) ne doivent pas être coimplantés ni utilisés à proximité d'une autre antenne ou émetteur.

CONSERVEZ SOIGNEUSEMENT CES CONSIGNES



Producteur non intentionnel d'émissions selon la Partie 15 du règlement de la FCC

Type de produit : Sèche-linge

Modèle : DV25B6900H*

Partie responsable - Coordonnées de contact aux États-Unis

Samsung Electronics America, Inc.

QA Lab America

19 Chapin Rd. Building D Pine Brook NJ 07058

Tél: 1-973-808-6375 Fax: 1-973-808-63

Notification IC

Le terme « IC » précédant le numéro d'homologation radio signifie uniquement que les spécifications techniques de l'Industrie Canada ont été atteintes. Le fonctionnement est soumis aux deux conditions suivantes :

1. Cet appareil ne doit pas causer d'interférences ; et
2. Cet appareil doit accepter toute autre interférence, y compris les interférences pouvant entraîner un fonctionnement non désiré de l'appareil.

Cet appareil numérique de la classe B est conforme à la norme ICES-003 du Canada.

Cet appareil numérique de la classe B est conforme à la norme NMB-003 du Canada.

Pour les appareils vendus aux États-Unis et au Canada, seuls les canaux 1 à 11 sont disponibles. Vous ne pouvez pas sélectionner d'autres canaux.

DÉCLARATION IC SUR L'EXPOSITION AUX RADIATIONS :

Cet appareil est conforme aux limitations prévues par la norme IC RSS-102 pour l'exposition aux radiations dans le cadre d'un environnement d'accès libre. Cet appareil doit être installé et utilisé avec une distance minimale de 8 pouces (20 cm) entre le radiateur et votre corps. Ce dispositif et son(s) antenne(s) ne doivent pas être coimplantés ni utilisés à proximité d'une autre antenne ou émetteur.

CONSERVEZ SOIGNEUSEMENT CES CONSIGNES



Avis réglementaire

Déclaration de logiciel open source

Le logiciel inclus dans cet appareil contient un logiciel de source libre (open source). Vous pouvez vous procurer le code source complet correspondant pendant une période de trois ans après la dernière expédition de cet appareil, en envoyant un e-mail à l'adresse <mailto:oss.request@samsung.com>.

Il est également possible d'obtenir le code source complet correspondant sur un support physique, tel qu'un CD-ROM ; des frais minimum seront facturés.

L'URL suivante http://opensource.samsung.com/opensource/SMART_AT_051/seq/0 vous donne accès à la page de téléchargement du code source mis à votre disposition, ainsi qu'aux informations sur la licence de source libre (open source) relative à cet appareil. Cette offre est valable pour toute personne ayant reçu ces informations.



REMARQUE

Par la présente, Samsung Electronics déclare que l'appareil de type équipement radio est conforme à la directive 2014/53/UE. Le texte intégral de la déclaration de conformité de l'UE est disponible à l'adresse Internet suivante : La déclaration officielle de conformité se trouve à <http://www.samsung.com>, accédez à Support (Assistance) > Search Product Support (Recherche assistance produit) et saisissez le nom du modèle.

Puissance maximale de l'émetteur Wi-Fi : 20 dBm à 2,412 GHz – 2,472 GHz

CONSERVEZ SOIGNEUSEMENT CES CONSIGNES





Exigences d'installation

Lisez attentivement les instructions suivantes avant d'installer le sèche-linge et conservez-les dans un endroit sûr afin de pouvoir vous y reporter ultérieurement.

AVERTISSEMENT

La mise à la terre de certaines pièces internes n'a volontairement pas été effectuée ; ces éléments peuvent donc présenter un risque d'électrocution (lors de l'entretien uniquement).

Technicien de maintenance - Ne touchez pas les pièces suivantes lorsque l'appareil est sous tension: Panneau de commande et vanne d'arrivée d'eau.

Conditions d'installation principales

- Une prise électrique avec mise à la terre.
- Un cordon d'alimentation pour sèche-linge électrique (à l'exception du Canada).
- Un système d'évacuation, réalisé en métal rigide ou en métal flexible avec parois rigides.

AVERTISSEMENT

Retirez le hublot des appareils mis au rebut pour éviter qu'un enfant ne s'étouffe à l'intérieur.

Choix de l'emplacement d'installation

Le sèche-linge doit être installé dans un endroit suffisamment spacieux, tant à l'avant pour permettre de charger l'appareil, qu'à l'arrière pour le système d'évacuation. Ce sèche-linge est équipé en usine pour une évacuation arrière en option. Si vous préférez l'évacuation par le bas, la droite ou la gauche, utilisez le kit d'évacuation auxiliaire. Les instructions sont fournies avec le kit. Veillez à ce que la pièce dans laquelle se trouve le sèche-linge soit suffisamment aérée. Vous devez donc installer le sèche-linge dans une pièce correctement ventilée.

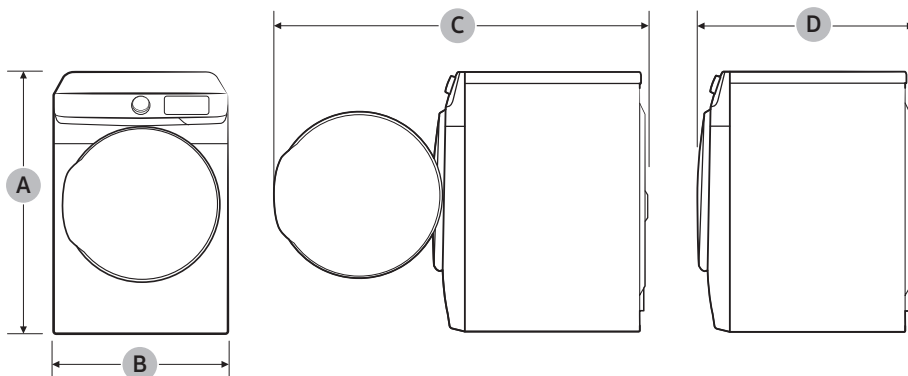
Vous ne devez ni installer ni stocker le sèche-linge dans un endroit où il pourrait être en contact avec de l'eau et/ou exposé aux intempéries. Vous devez maintenir le sèche-linge à l'écart de tous matériaux combustibles, essence et autres vapeurs et liquides inflammables. Un sèche-linge produit des peluches combustibles. Évitez donc que des peluches ne s'accumulent autour.



Exigences d'installation

Français

Dimensions



Type	Sèche-linge à chargement frontal	
Modèles	DV25B6900H*	
Dimensions (Pouces (mm))	A. Hauteur totale	33,5 (850)
	B. Largeur	23,6 (600)
	C. Profondeur avec hublot ouvert	43,3 (1101)
	D. Profondeur	25,8 (655)

Dégagement requis

Ce dégagement requis concerne uniquement les sèche-linge.

REMARQUE

- Pour connaître le dégagement requis pour le lave-linge, reportez-vous au manuel d'utilisation du lave-linge.
- Si les dégagements requis pour le lave-linge et le sèche-linge sont différents, respectez celui dont la valeur est la plus élevée.

Encastrement dans une niche ou installation dans un placard

AVERTISSEMENT

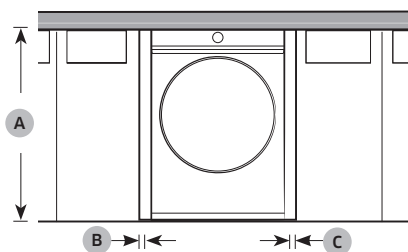
- L'évacuation du sèche-linge doit se faire vers l'extérieur afin de réduire les risques d'incendie si l'appareil est installé dans une niche ou un placard.
- Vous ne devez installer aucun autre appareil fonctionnant au fuel dans le même placard que le sèche-linge.
- Placez le sèche-linge à 18 pouces (460 mm) minimum au-dessus du sol pour une installation dans un garage.

Espace minimum pour un fonctionnement stable :

Côtés	Haut	Arrière	Avant
1 po (25 mm)	1 po (25 mm)	2 po (50 mm)	1 po (25 mm)

Si le lave-linge et un sèche-linge sont tous deux installés au même endroit, le panneau avant de la niche ou du placard doit être doté de deux ouvertures non obstruées ; assurez-vous d'avoir une surface totale combinée d'au moins 72 po² (465 cm²).

Installation sous plan



A	34,4 po (875 mm)
B	1 po (25 mm)
C	1 po (25 mm)

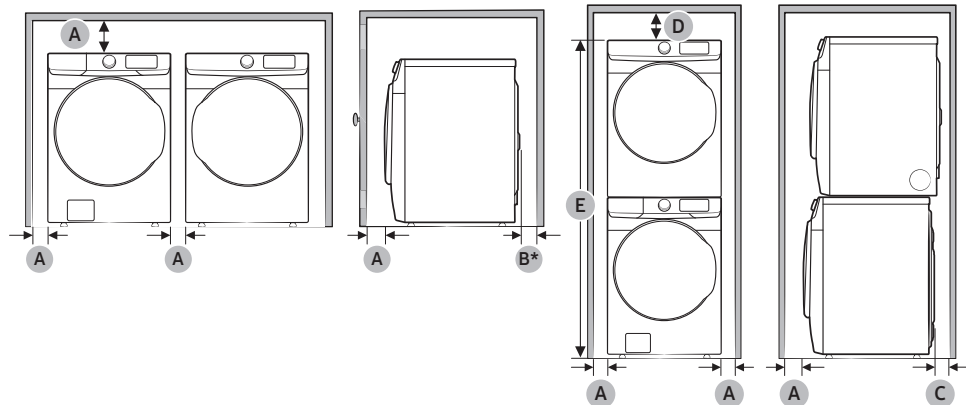


Exigences d'installation

Ce dégagement requis concerne l'installation d'une paire lave-linge/sèche-linge.

Installation côte à côte

Installation empilée



A	1 po (25 mm)
B*	2 po (50 mm)
C	2 po (50 mm)
D	6 po (152 mm)
E	67 po (1702 mm)

(B*): Ce dégagement requis concerne uniquement les sèche-linge. Pour connaître le dégagement requis pour le lave-linge, reportez-vous au manuel d'utilisation du lave-linge.

Un espace minimum **(B*)** de 3 po est nécessaire pour une meilleure performance du sèche-linge. En cas d'espace insuffisant pour l'installation du conduit, un kit de ventilation de taille appropriée est requis.

REMARQUE

Superposition (SK-DH)

De nombreux lave-linge et sèche-linge Samsung peuvent être superposés pour optimiser l'espace utile. Les kits de superposition sont en vente chez votre revendeur Samsung. Pour plus détails concernant la superposition et les modèles compatibles, reportez-vous au manuel d'utilisation inclus dans le kit de superposition que vous avez acheté.



Normes électriques

Le schéma de câblage figure sur une plaque située sous le panneau de commande ou le panneau arrière.

AVERTISSEMENT

- Un branchement incorrect du conducteur de mise à la terre peut créer un risque d'électrocution. Demandez conseil à un électricien ou un réparateur agréé si vous avez des doutes quant à la mise à la terre correcte de votre sèche-linge. Ne modifiez pas la prise fournie avec le sèche-linge ; si celle-ci ne correspond pas à la prise secteur, demandez à un électricien qualifié d'installer une prise adéquate.
- Pour prévenir tout risque d'incendie, d'électrocution ou de blessure, l'intégralité du câblage et des mises à la terre doit être réalisée conformément aux réglementations locales ou, en l'absence de ces dernières, conformément au code électrique national (National Electrical Code) ANSI/NFPA No. 70 (dernières révisions) (pour les États-Unis) ou aux dispositions canadiennes sur l'électricité CSA C22.1 (dernières révisions) et aux réglementations locales. Il relève de votre responsabilité de fournir des services électriques adaptés à votre sèche-linge.

Mise à la terre

Ce sèche-linge doit être mis à la terre. En cas de panne ou de défaillance, la mise à la terre réduira le risque de surtension électrique en fournissant un circuit de fuite au courant électrique.

Modèles électriques

AVERTISSEMENT

- Votre sèche-linge est doté d'un cordon en option équipé d'un conducteur de mise à la terre et d'une prise de terre. Ce cordon est vendu séparément.
- La prise doit être branchée sur une prise secteur appropriée, correctement installée et mise à la terre conformément aux dispositions et aux réglementations en vigueur.
- Ne modifiez pas la prise fournie avec le sèche-linge ; si celle-ci ne correspond pas à la prise secteur, demandez à un électricien qualifié d'installer une prise adéquate.
- Si vous n'utilisez pas de cordon d'alimentation et que le sèche-linge électrique doit être branché en permanence, reliez-le à une prise de terre métallique permanente ou connectez un conducteur de mise à la terre aux conducteurs du circuit et à la borne ou au fil de terre de l'appareil.

Raccordement électrique

Avant toute mise en marche ou test, suivez toutes les consignes de mise à la terre présentées dans la section « **Mise à la terre** ». Nous vous recommandons de relier votre sèche-linge à une dérivation individuelle ou à un circuit distinct.

N'utilisez pas de rallonge avec cet appareil.



Exigences d'installation

Modèles électriques : États-Unis uniquement

Aux États-Unis, la plupart des sèche-linge requièrent une alimentation en 120/240 V c.a., 60 Hz, tandis que d'autres requièrent une alimentation en 120/208 V c.a., 60 Hz. Vous trouverez les spécifications électriques sur l'étiquette située derrière le hublot. Un disjoncteur ou un fusible de 30 A est requis de chaque côté de la ligne.

- Si vous utilisez un cordon d'alimentation, branchez ce dernier sur une prise 30 A.
- Le cordon d'alimentation n'est pas fourni avec les sèche-linge version électrique aux États-Unis. Ce cordon est vendu séparément.

Risque d'électrocution

AVERTISSEMENT

- Lorsque les dispositions locales le permettent, vous pouvez brancher le sèche-linge électrique à l'aide d'un nouveau kit de cordon d'alimentation, portant une mention de compatibilité avec les sèche-linge et homologué UL. Ce cordon doit supporter une alimentation nominale de 120/240 V, 30 A à partir d'un cordon doté de trois conducteurs en cuivre N°10 et terminé par des bornes en boucle fermée, des cosses à fourches ouvertes aux extrémités relevées ou des conducteurs étamés.
- Ne réutilisez pas le cordon d'alimentation d'un sèche-linge usagé. Le câblage électrique du cordon d'alimentation doit être raccordé au niveau du boîtier électrique du sèche-linge au moyen d'un réducteur de tension homologué UL.
- La mise à la terre via le conducteur neutre est interdite pour (1) les nouvelles installations de circuit, (2) les mobil homes, (3) les véhicules de camping et (4) les zones où les réglementations locales interdisent ce type de mise à la terre. (Dans ces cas-là, utilisez une fiche quadripolaire pour une prise 4 fils, de type NEMA 14-30R.)

Pour le Canada uniquement

Vous devez utiliser une alimentation électrique de 120/240 V c.a., 60 Hz, et un disjoncteur ou fusible de 30 A aux deux extrémités de la ligne.

REMARQUE

Tous les modèles canadiens sont livrés avec un cordon d'alimentation intégré. Vous devez brancher le cordon d'alimentation sur une prise 30 A. Au Canada, vous pouvez convertir un sèche-linge en 120/208 V.

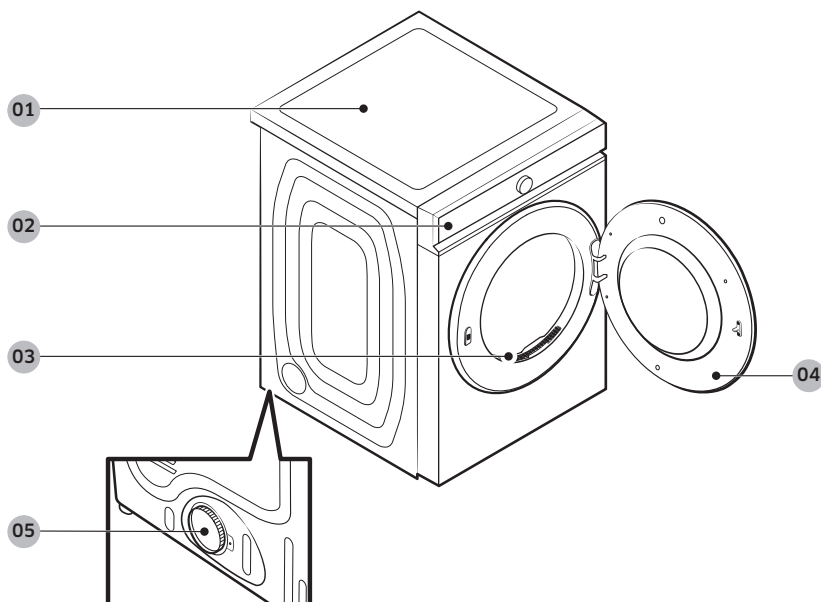


Installation

L'installation du sèche-linge doit être effectuée par un technicien qualifié. L'installateur doit connecter le sèche-linge au secteur en respectant les consignes de sécurité en vigueur dans votre zone.

Pièces incluses

Assurez-vous que toutes les pièces sont incluses dans l'emballage de l'appareil. Si vous rencontrez un problème avec le sèche-linge ou les pièces, contactez un centre d'assistance clientèle Samsung local ou le magasin.



01 Dessus du lave-linge

02 Panneau de commande

03 Filtre à peluches

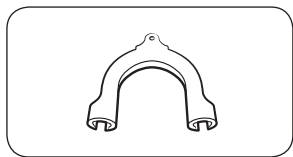
04 Hublot

05 Conduit d'évacuation

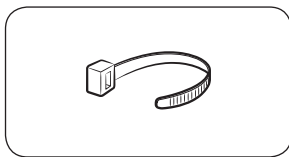


Installation

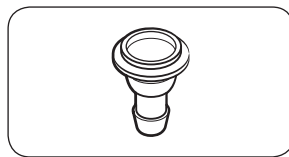
Accessoires (fournis)



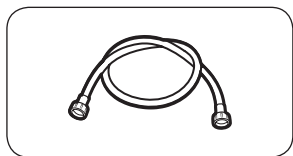
Guide du tuyau



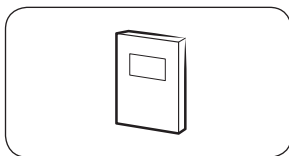
Serre-câble



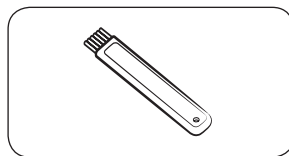
Raccord de tuyau



Long tuyau de vidange (6,5
pi/2 m)

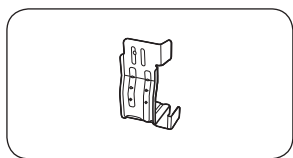


Manuel d'utilisation



Brosse de nettoyage

Accessoires (modèle Canada uniquement)



Kit de support et d'empilage
(SK-DH)

REMARQUE

- Le kit de superposition permet de placer le sèche-linge par-dessus un lave-linge. Veuillez noter que le kit de superposition ne peut être utilisé qu'avec les lave-linge et sèche-linge Samsung. Pour acheter un kit de superposition avec support, prenez contact avec un centre de service clientèle ou un revendeur local d'appareils. Le kit de superposition diffère selon le modèle de lave-linge.
- Pour obtenir des instructions de superposition avec le sèche-linge, reportez-vous au manuel d'installation inclus dans le kit de superposition.
- Pour obtenir des informations sur la disponibilité du kit de superposition pour un modèle spécifique, reportez-vous au manuel d'installation inclus dans le kit de superposition.



Installation étape par étape

Assurez-vous que l'installation du sèche-linge est effectuée par un technicien qualifié. Les instructions d'installation étape par étape commencent ci-dessous.

- Ne retirez pas le film de protection du hublot avant d'avoir terminé l'installation de l'appareil. Si vous retirez le film de protection avant la fin de l'installation, vous risquez de rayer ou d'endommager le hublot pendant l'installation.
- Assurez-vous que le lieu d'installation dispose d'un espace suffisant pour permettre l'ouverture complète du hublot du sèche-linge.

ÉTAPE 1 Installer le système d'évacuation

1. Sélectionnez un emplacement et placez le sèche-linge sur le site. Afin de faciliter l'accès, nous vous conseillons d'installer le sèche-linge au même endroit que votre lave-linge.
2. Pour changer le sens d'ouverture du hublot, reportez-vous à la section « **Changement de position de la porte** » en page 32.
3. Installez le système d'évacuation tel qu'indiqué dans la section « **Guide de connexion des conduites d'évacuation** ».

ATTENTION

Avant d'installer votre sèche-linge, retirez le joint dans le conduit.

REMARQUE

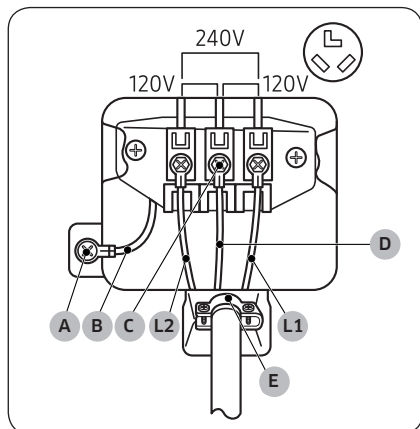
- Posez deux des plateaux en carton de l'emballage sur le sol pour déplacer le sèche-linge plus facilement. Inclinez le sèche-linge sur le côté pour le poser sur les deux plateaux. Faites glisser le sèche-linge jusqu'à l'endroit où vous voulez l'installer et remplacez le sèche-linge à la verticale.
- Veillez à laisser un espace suffisant autour de l'appareil afin de faciliter le raccordement des conduits et le câblage.

ÉTAPE 2 Câblage électrique (modèles électriques)

Avant d'effectuer le câblage électrique, assurez-vous d'avoir lu le chapitre « **Normes électriques** » à la page 17.

Installation

Système à 3 fils



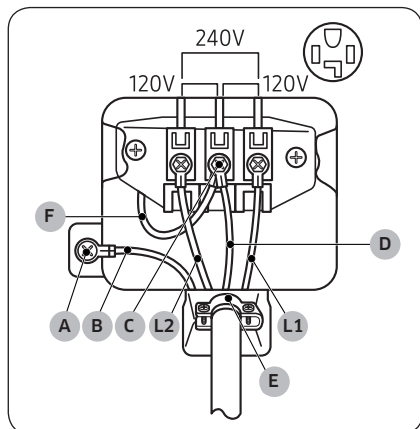
- A. Connecteur de terre externe
- B. Fil de terre neutre (blanc)
- C. Vis centrale argentée du bornier
- D. Fil neutre (blanc ou central)
- E. Réducteur de tension $\frac{3}{4}$ " (1,9 cm) homologué UL

1. Desserrez ou retirez les vis du bornier central.
2. Reliez le fil neutre (blanc ou central) du câble d'alimentation au centre, la vis argentée centrale du bornier. Serrez les vis.
3. Reliez les autres fils aux bornes à vis extérieures. Serrez les vis.
4. Serrez les vis de libération de tension.
5. Insérez le cache du bornier dans le panneau arrière du sèche-linge. Fixez ensuite le cache à l'aide d'une vis.

⚠ ATTENTION

- Lors de la conversion d'un système à 4 fils en système à 3 fils, le conducteur de terre doit être rebranché sur le support du bornier, afin de mettre le châssis du sèche-linge à la terre sur le conducteur neutre.
- Il est recommandé d'utiliser des borniers à anneau. Si vous utilisez des cosses à barrette, veillez à ce qu'elles soient parfaitement mises en place.
- Branchez le cordon d'alimentation et vérifiez la tension sur les bornes L1/L2/D (N). Si la tension est basse, l'appareil risque de ne pas chauffer correctement. Si nécessaire, consultez la section « Normes électriques » en page 17.

Système à 4 fils



- A. Connecteur de terre externe
- B. Fil de terre neutre (blanc)
- C. Vis centrale argentée du bornier
- D. Fil neutre (blanc ou central)
- E. Réducteur de tension $\frac{3}{4}$ " (1,9 cm) homologué UL
- F. Fil neutre (blanc ou central)

⚠ ATTENTION

Branchez le cordon d'alimentation et vérifiez la tension sur les bornes L1/L2/D (N). Si la tension est basse, l'appareil risque de ne pas chauffer correctement. Si nécessaire, consultez la section « **Normes électriques** » en page 17.

⚠ AVERTISSEMENT

- Tous les modèles destinés aux États-Unis sont conçus pour un branchement à 3 fils. Le châssis du sèche-linge est relié à la terre par un conducteur neutre au niveau du bornier. Un branchement à 4 fils est requis dans les cas suivants : nouvelles constructions, habitations rénovées, mobil-homes, réglementations locales n'autorisant pas la mise à la terre via le conducteur neutre. Si vous utilisez un système à 4 fils, vous ne pouvez pas mettre le châssis du sèche-linge à la terre via le conducteur neutre au niveau du bornier.
- Retirez le cache du bornier. Introduisez le cordon d'alimentation équipé d'un réducteur de tension homologué UL par l'orifice découpé dans le panneau à proximité du bornier.
- Vous devez impérativement utiliser un réducteur de tension. Ne desserrez pas les écrous déjà fixés au bornier. Assurez-vous qu'ils sont bien serrés. Utilisez une douille longue de $\frac{3}{8}$ " (1 cm).
- Depuis le 1er janvier 1996, le Code électrique national requiert que les nouveaux câblages (non existants) utilisent un branchement à 4 fils pour ce sèche-linge.

1. Retirez la vis du connecteur de terre externe et reliez le fil de terre (vert ou dénudé) du câble d'alimentation à la vis.

⚠ ATTENTION

- Pour relier le fil de terre à la position neutre sans utiliser le contact A (mise à la terre du châssis), contactez un technicien. Aucune pièce ne doit être réparée par l'utilisateur.
- Il est recommandé d'utiliser des borniers à anneau. Si vous utilisez des cosses à barrette, veillez à ce qu'elles soient parfaitement mises en place.

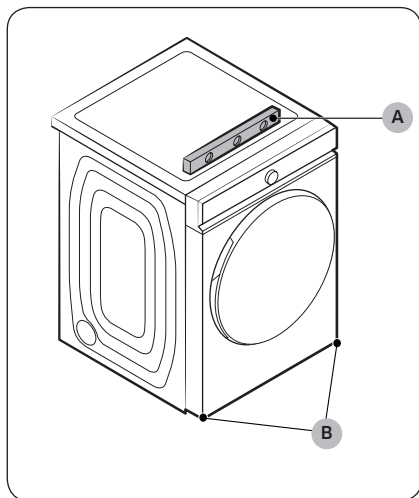
2. Desserrez ou retirez les vis du bornier central.
3. Reliez le fil neutre (blanc ou central) et le fil de terre (blanc) à la vis centrale du bornier. Serrez la vis.
4. Reliez les autres fils aux bornes à vis extérieures. Serrez les vis.
5. Serrez les vis de libération de tension.
6. Insérez la languette du cache du bornier dans l'encoche arrière du sèche-linge. Maintenez le cache en place à l'aide d'une vis.



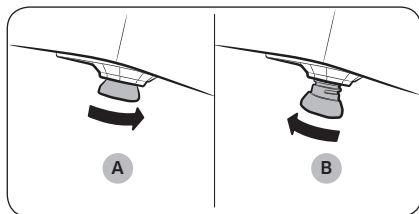
Installation

ÉTAPE 3 Mise à niveau du sèche-linge

Pour pouvoir offrir des performances optimales, le sèche-linge doit être de niveau.



Assurez-vous que le sèche-linge est à niveau de droite à gauche et de l'avant à l'arrière à l'aide d'un **niveau (A)**. Si le sèche-linge n'est pas de niveau, tournez les **pieds réglables (B)** dans le sens horaire pour abaisser le sèche-linge ou dans le sens antihoraire pour soulever le sèche-linge.



REMARQUE

- Pour positionner le sèche-linge à la même hauteur que le lave-linge, **rétractez (A)** entièrement les pieds en les faisant tourner dans le sens anti-horaire puis **desserrez (B)** les pieds en les faisant tourner dans le sens horaire. Une fois que le sèche-linge est au même niveau que le lave-linge, suivez les consignes ci-dessus pour mettre à niveau le sèche-linge.
- Ajustez les pieds uniquement pour atteindre le niveau requis. Si vous étendez les pieds plus que nécessaire, les vibrations seront plus importantes.



ÉTAPE 4 Dernière vérification

Lorsque l'installation est terminée, confirmez que :

- Le sèche-linge est branché sur une prise électrique et correctement relié à la terre.
- Les conduites d'évacuation sont connectées et les joints maintenus par du ruban adhésif.
- Nous avons choisi un système d'évacuation en métal rigide ou flexible et non des flexibles en plastique.
- Le sèche-linge est de niveau et ses pieds sont posés au sol de manière stable.
- Le sèche-linge démarre, fonctionne, chauffe et s'éteint correctement.

ATTENTION

Il est possible que le brûleur ne s'allume pas immédiatement si de l'air est présent dans la conduite de gaz. Lancez un programme de séchage à chaud pour purger la conduite.

Guide de connexion des conduites d'évacuation

Connexion des conduites

1. Assurez-vous que le sèche-linge est installé de façon appropriée pour laisser l'air s'échapper librement.
2. Utilisez des conduites d'évacuation métalliques rigides de 4 pouces. Scellez tous les joints à l'aide d'un ruban adhésif, y compris le raccordement du sèche-linge.
N'utilisez jamais de vis qui piègent les peluches.
3. Pour faciliter l'évacuation, gardez les conduites aussi droites que possible.

Nettoyage

Nettoyez toutes les anciennes conduites avant l'installation du sèche-linge et assurez-vous que le clapet d'air s'ouvre et se ferme librement. Nous vous recommandons de nettoyer le système d'évacuation une fois par an ou régulièrement.

AVERTISSEMENT

- Afin d'éviter un incendie, n'utilisez pas de conduites en plastique, en aluminium fin ou non métalliques quel qu'en soit le type.
- N'utilisez pas un mauvais système d'évacuation car il ralentit les performances du sèche-linge.
- N'utilisez pas de conduites excessivement longues et qui ont plusieurs coudes.
- N'utilisez pas de conduites et d'évents bouchés ou écrasés.



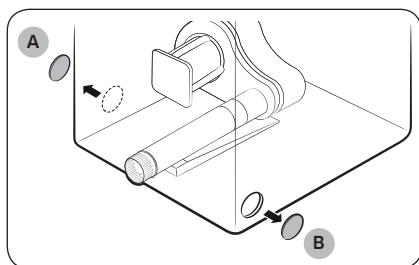
Installation

Changement de sens du conduit d'évacuation (facultatif)

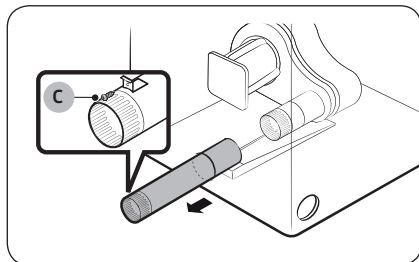
⚠ AVERTISSEMENT

Avant d'effectuer cette installation d'évacuation, débranchez le sèche-linge de son alimentation électrique. Lorsque vous travaillez à l'intérieur de l'armoire, portez des gants pour protéger vos mains et vos bras contre les bords tranchants.

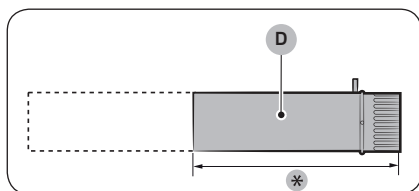
Aération latérale



1. Détachez l'entrée défonçable du côté **droit (A)** ou du côté **gauche (B)**, selon ce que vous souhaitez.



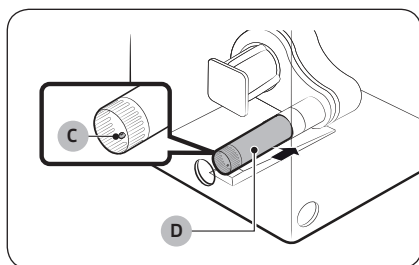
2. Tirez sur le conduit pour le sortir du sèche-linge, puis retirez la **vis (C)** au niveau du conduit. Mettez la **vis (C)** de côté. Vous en aurez besoin à une autre étape.



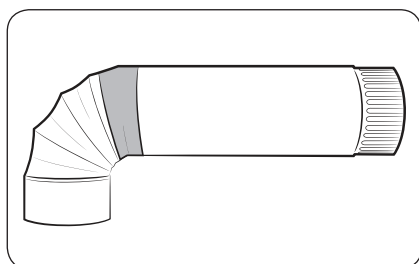
3. Coupez le conduit comme indiqué et conservez la **portion coupée du conduit (D)**.

* : 4,9 po (125 mm)

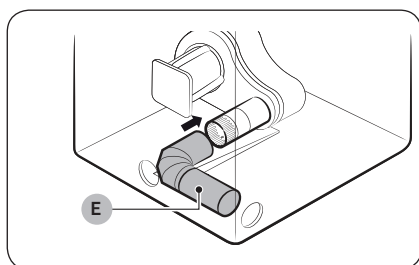




4. Réinstallez la **portion coupée du conduit (D)**, puis serrez-la à la rampe sur la base de l'appareil à l'aide de la **vis (C)** que vous avez mis de côté à l'étape 2.



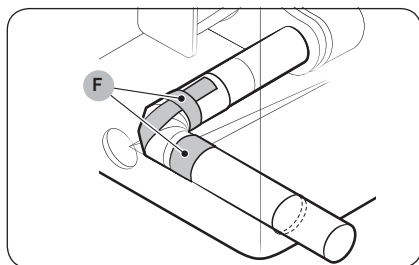
5. Raccordez un conduit sur un coude, puis appliquez du ruban adhésif en toile sur le conduit et le coude pour les coller ensemble.



6. Insérez le **conduit avec le coude (E)** à travers l'ouverture arrière, puis raccordez-le au conduit interne.

⚠ ATTENTION

Les composants à fils dans le sèche-linge peuvent légèrement interférer avec le conduit. Ne tirez pas ou n'endommagez pas les fils électriques se trouvant à l'intérieur du sèche-linge lors de l'insertion du conduit.

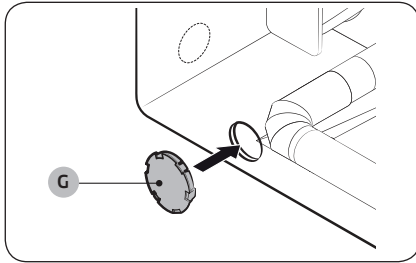


7. Appliquez du **ruban adhésif en toile (F)** sur tous les raccords, comme indiqué.

⚠ ATTENTION

Tous les raccords doivent être fixés au moyen de ruban adhésif en toile afin d'éviter qu'ils se désolidarisent et entraînent un risque pour l'utilisateur.

Installation

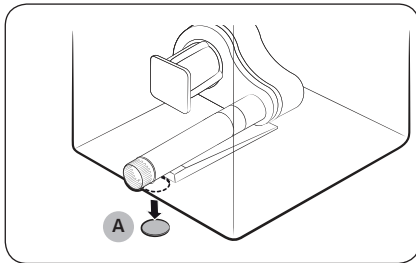


8. Recouvrez l'ouverture arrière avec un **cache (G)**.

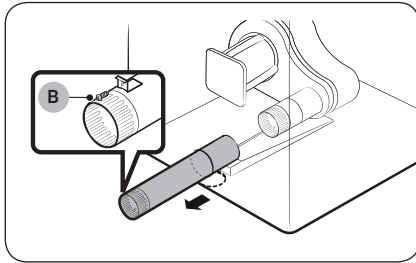
⚠ AVERTISSEMENT

Ne laissez jamais l'ouverture arrière non couverte. Elle doit être recouverte par un cache.

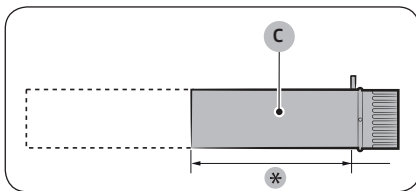
Aération inférieure



1. Détachez l'**entrée défonçable (A)** inférieure.

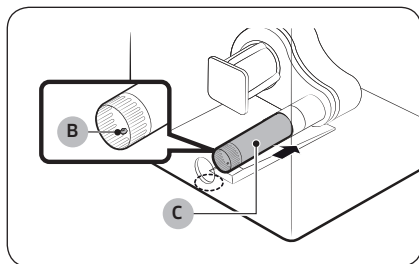


2. Tirez sur le conduit pour le sortir du sèche-linge, puis retirez la **vis (B)** au niveau du conduit. Mettez la **vis (B)** de côté. Vous en aurez besoin à une autre étape.

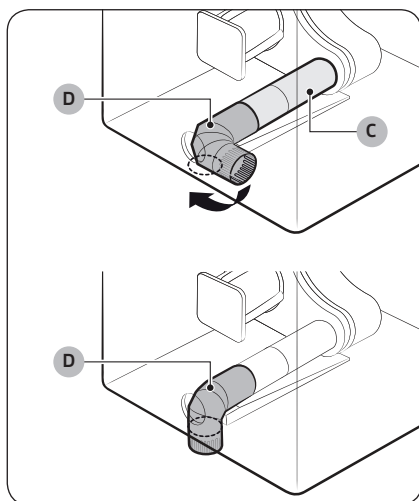


3. Coupez le conduit comme indiqué et conservez la **portion coupée du conduit (C)**.

* : 4,9 po (125 mm)



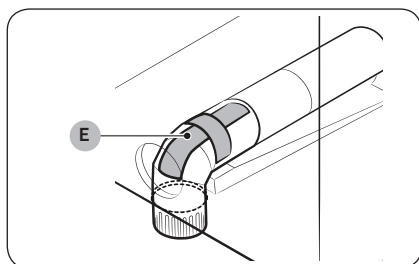
4. Réinstallez la **portion coupée du conduit (C)**, puis serrez-la à la rampe sur la base de l'appareil à l'aide de la **vis (B)** que vous avez mis de côté à l'étape 2.



5. Insérez le conduit avec le **coude (D)** à travers le trou arrière, puis raccordez-le au **conduit (C)**.
6. Faites tourner le **coude (D)** à travers l'ouverture inférieure.

⚠ ATTENTION

Ne tirez pas ou n'endommagez pas les fils électriques se trouvant à l'intérieur du sèche-linge lors de l'insertion du conduit.



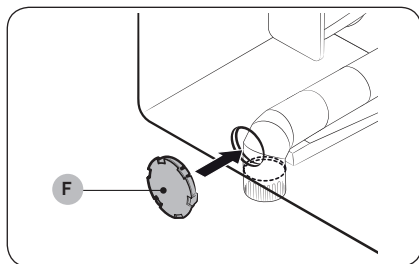
7. Appliquez du **ruban adhésif en toile (E)** sur le raccord, comme indiqué.

⚠ ATTENTION

Tous les raccords doivent être fixés au moyen de ruban adhésif en toile afin d'éviter qu'ils se désolidarisent et entraînent un risque pour l'utilisateur.



Installation



8. Recouvrez l'ouverture arrière avec un **cache (F)**.

⚠ AVERTISSEMENT

Ne laissez jamais l'ouverture arrière non couverte. Elle doit être recouverte par un cache.

Test de blocage de l'aération

Une fois le sèche-linge installé, lancez le test de blocage de l'aération afin de vérifier si le système de conduits est correctement installé. Le test de blocage de l'aération détecte automatiquement l'état des conduits et signale tout blocage ou problème. Le bon raccordement des conduits peut réduire le temps de séchage et économiser de l'énergie.

📖 REMARQUE

Le test de blocage de l'aération doit être effectué lorsque le sèche-linge est froid. Si le sèche-linge chauffe après la vérification de l'installation, exécutez un cycle **Brise d'air** pendant plusieurs minutes, afin de réduire sa température interne.

Exécution du test de blocage de l'aération

1. Assurez-vous que le tambour est vide, puis fermez le hublot. (Si des vêtements ou d'autres articles se trouvent dans le tambour, les résultats du test ne seront pas précis.)
2. Appuyez doucement sur **⏻** pour allumer le sèche-linge, puis laissez le doigt appuyé doucement sur **Options** pendant 3 secondes.
3. Tournez la **molette de navigation** pour sélectionner **Test blocage entrée d'air**, puis appuyez doucement sur **OK**. Le test de blocage de l'aération commence immédiatement.
 - Le test dure environ 2 minutes et le message « **Testing... (Test en cours)** » s'affiche pendant le test.

⚠ ATTENTION

N'ouvrez pas le hublot pendant le test.


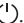
📖 REMARQUE

Si vous avez commencé d'autres procédures avant de lancer le test de blocage de l'aération, le sèche-linge n'entre pas en mode Test de blocage de l'aération.

4. Au bout de 2 minutes, une fois le test terminé, les résultats s'affichent et le sèche-linge émet une mélodie. Si l'état du système de conduits est normal, une alarme se déclenche avec le message « **Aucun problème détecté** ». Si l'évacuation du système de conduits ne peut pas se faire correctement, un code de vérification apparaît et le sèche-linge émet un signal d'alarme. Pour obtenir une description du code, reportez-vous à la section « **Codes de vérification de l'installation** » en page 31.



En cas de tout autre problème, un code d'erreur s'affiche à l'écran. Pour obtenir une description du code, reportez-vous à la section « **Codes d'erreur** » en page 57.

- Pour arrêter ou annuler la fonction Test blocage entrée d'air, appuyez doucement sur  pour éteindre votre sèche-linge.
- Le résultat reste affiché à l'écran pendant environ 5 minutes, puis s'efface automatiquement. Vous pouvez effacer les résultats immédiatement en appuyant doucement sur .

REMARQUE

- Pendant ou après le test, le tambour interne est chaud. Faites attention à ne pas vous brûler. Le test de blocage de l'aération est utilisé pour vérifier l'absence de problèmes dans le système de conduits actuel lorsque le sèche-linge est installé pour la première fois.
- Si le résultat du test affiche un code de vérification (le système de conduits est obstrué), reportez-vous à la section « **Conditions requises en matière de conduits** » en page 17 et à la section « **Guide d'installation du conduit d'évacuation** » ci-dessous. Prenez ensuite les mesures appropriées pour corriger tout problème. Si le test est interrompu, il pourrait fournir des résultats incorrects. Suivez les procédures appropriées lorsque vous testez le sèche-linge.
- Même si le résultat du test est normal (« **Aucun problème détecté** »), il est possible que le système de conduits soit légèrement obstrué. Installez correctement tous les conduits conformément aux instructions d'installation indiquées dans ce manuel.

Codes de vérification de l'installation

Code de contrôle	Signification	Solution
Aucun problème détecté	Le système de ventilation est en bon état.	
L'orifice d'aération est presque obstrué	Le système de ventilation est obstrué à plus de 80 %. (Cela risquerait de provoquer une dégradation des performances de séchage ou un dysfonctionnement.)	<ol style="list-style-type: none"> 1. Nettoyez le filtre à peluches. 2. Vérifiez l'état de votre système de ventilation. (Reportez-vous à la section « Conditions requises en matière de conduits ») <p>* Vous devez prendre les mesures appropriées (par ex. nettoyage) en faisant appel à du personnel expérimenté.</p>
Laissez le sèche-linge à température ambiante	La température interne du sèche-linge est trop basse (inférieure à 32 °F (0 °C)) ou trop élevée (supérieure à 104 °F (40 °C)). Si le système de ventilation présente une obstruction, celle-ci ne pourra donc pas être détectée.	Laissez le sèche-linge à température ambiante (entre 41 et 95 °F (5 et 35 °C)) pendant une heure, puis vérifiez à nouveau.
Des articles sont détectés dans le tambour	L'appareil détecte la présence d'articles dans le tambour ou il y a une erreur sur le capteur de séchage.	Sortez les articles du tambour et vérifiez à nouveau. Si le problème persiste, communiquez avec un centre de dépannage.

REMARQUE

Pour consulter d'autres codes d'information, reportez-vous à la section « **Dépannage** » en page 57.



Installation

Guide de connexion des conduites d'évacuation

Connexion des conduites

1. Assurez-vous que le sèche-linge est installé de façon appropriée pour laisser l'air s'échapper librement.
2. Utilisez des conduites d'évacuation métalliques rigides de 4 pouces. Scellez tous les joints à l'aide d'un ruban adhésif, y compris le raccordement du sèche-linge. N'utilisez jamais de vis qui piègent les peluches.
3. Pour faciliter l'évacuation, gardez les conduites aussi droites que possible.

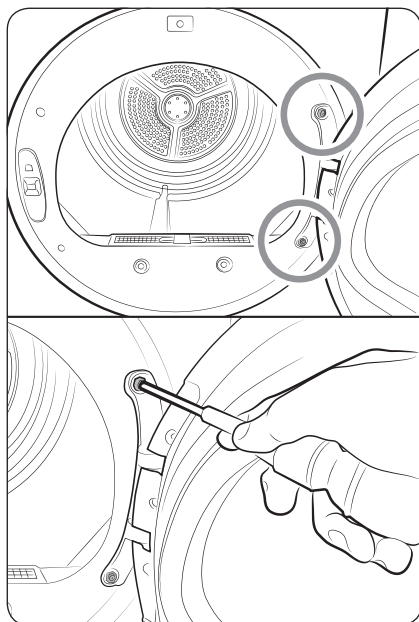
Nettoyage

Nettoyez toutes les anciennes conduites avant l'installation du sèche-linge et assurez-vous que le clapet d'air s'ouvre et se ferme librement. Nous vous recommandons de nettoyer le système d'évacuation une fois par an ou régulièrement.

AVERTISSEMENT

- Afin d'éviter un incendie, n'utilisez pas de conduites en plastique, en aluminium fin ou non métalliques quel qu'en soit le type.
- N'utilisez pas un mauvais système d'évacuation car il ralentit les performances du sèche-linge.
- N'utilisez pas de conduites excessivement longues et qui ont plusieurs coudes.
- N'utilisez pas de conduites et d'évents bouchés ou écrasés.

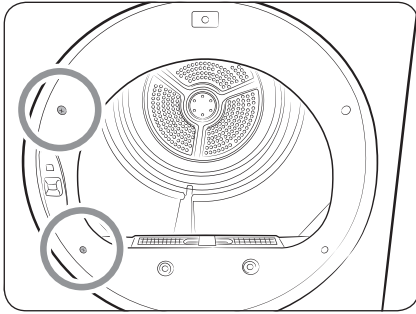
Changement de position de la porte



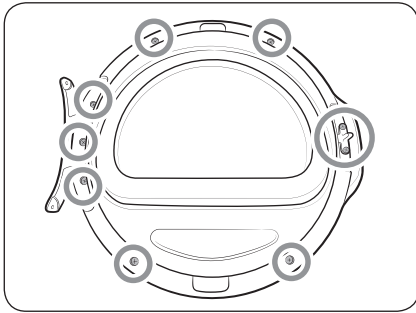
Pour inverser la direction de la porte, nous vous recommandons de contacter un technicien qualifié.

1. Débranchez le cordon d'alimentation du sèche-linge.
2. Retirez les deux vis des charnières du hublot, puis enlevez le hublot en le soulevant légèrement.

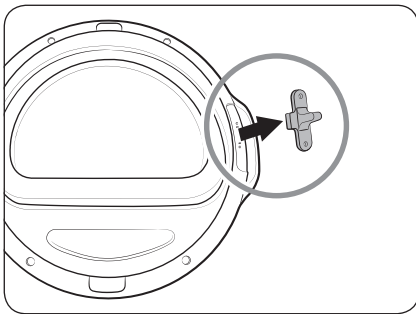




3. Retirez les deux vis sur le côté opposé de la charnière du hublot.



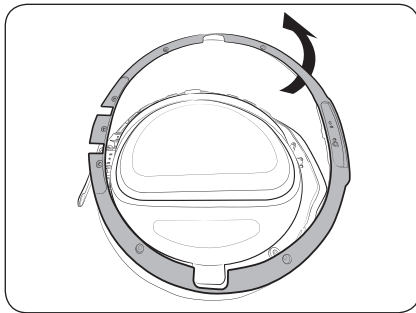
4. Repérez et retirez les 9 vis au niveau du hublot, comme indiqué.



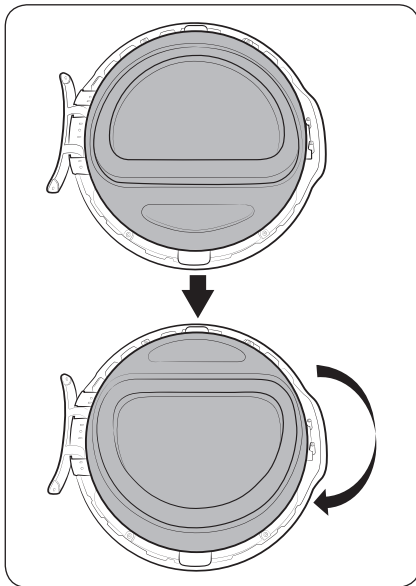
5. Retirez le dispositif de fermeture du hublot.

Installation

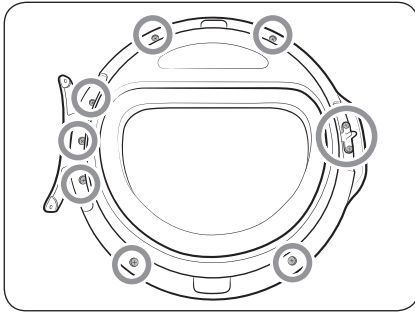
Français



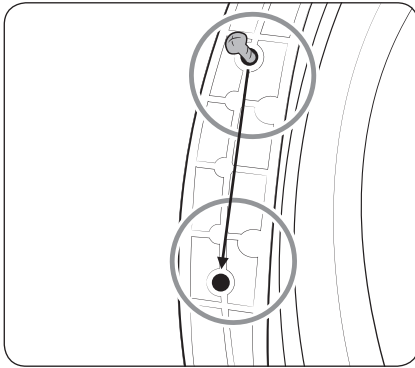
6. Retirez le cadre du hublot.



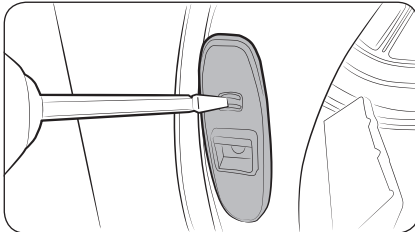
7. Faites tourner le verre du hublot de 180°.



8. Réassemblez le cadre et le dispositif de fermeture du hublot.



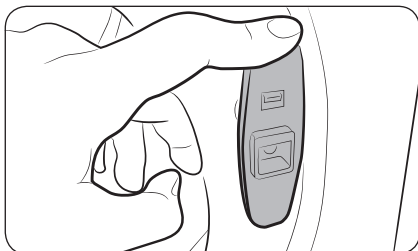
9. Déplacez l'emplacement des vis, utilisées pour fixer la charnière du hublot en place, comme indiqué.



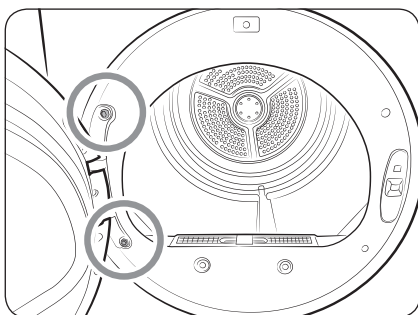
10. Retirez le cache du dispositif de fermeture en appuyant le crochet dessus.



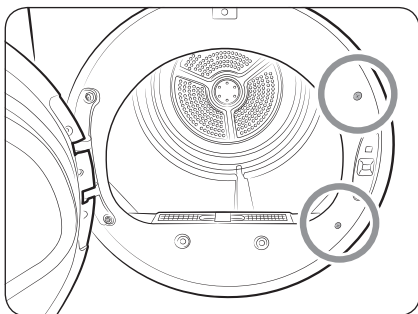
Installation



11. Installez le support du dispositif de fermeture de l'autre côté, comme indiqué.



12. Insérez et serrez les deux vis de charnière.



13. Insérez et serrez les deux vis sur le côté opposé de la charnière du hublot.

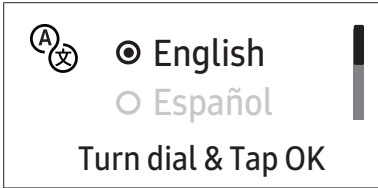
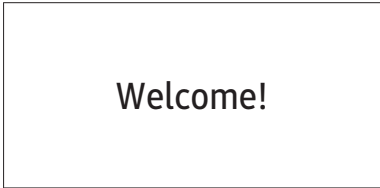
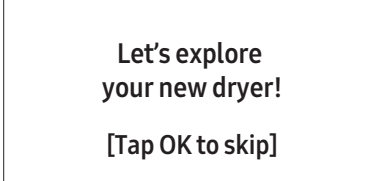
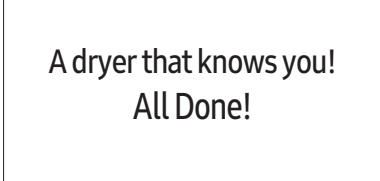


Avant de démarrer

Il y a un certain nombre de choses que vous devez savoir avant de démarrer votre sèche-linge.

Configuration initiale

- Lorsque vous allumez votre sèche-linge pour la première fois, l'écran affiche le processus de configuration initiale. Suivez les instructions affichées à l'écran pour l'effectuer.
- Si vous effectuez la configuration initiale et lancez un cycle pendant plus d'une minute, la configuration initiale ne réapparaîtra plus.
- La configuration initiale inclut la sélection de la langue et un court tutoriel.
- Lorsque vous appuyez doucement sur un bouton, appuyez exactement sur le texte.
- Si vous utilisez le lave-linge et le sèche-linge simultanément, il se peut que vous remarquiez une perte de puissance en fonction de leur emplacement d'installation et de l'état de votre alimentation électrique.

01 Sélection de la langue	02 Écran d'accueil
	
03 Tutoriel	
	

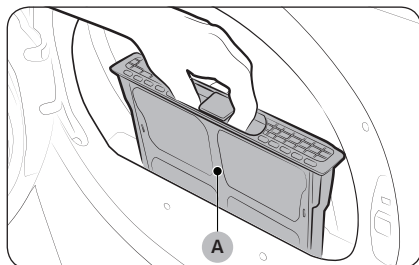
Avant de démarrer

Tri et charge

- Mettez une seule charge de linge à la fois dans le sèche-linge.
- Ne mélangez pas du linge lourd et du linge léger.
- Pour augmenter l'efficacité de séchage pour un ou deux vêtements, ajoutez une serviette sèche à la charge.
- Pour obtenir des résultats optimaux, démêlez le linge avant de l'introduire dans le sèche-linge. Les articles emmêlés peuvent dégrader l'efficacité de séchage ou entraîner l'ouverture du hublot.
- Une surcharge peut réduire l'action du tambour et ainsi entraîner un séchage inégal et altérer l'effet anti-froissage.
- Sauf indication contraire sur l'étiquette d'entretien, ne faites pas sécher des vêtements en laine ou en fibre de verre au sèche-linge.
- Évitez de faire sécher au sèche-linge des vêtements qui n'ont pas été lavés.
- Ne faites pas sécher des vêtements salis avec de l'huile, de l'alcool, de l'essence, etc.

Conditions de fonctionnement préalables

Filtre à peluches



Pour éviter tout risque d'incendie, assurez-vous de nettoyer le filtre à peluches avant ou après chaque charge.

1. Éteignez le sèche-linge.
2. Ouvrez le hublot et retirez le **filtre à peluches (A)** de l'intérieur du tambour.
3. Ouvrez le filtre à peluches en le détachant par le haut. Retirez les peluches, puis nettoyez le filtre à peluches.
4. Fermez le filtre à peluches, réinsérez le filtre à peluches dans le sèche-linge, puis fermez le hublot du sèche-linge.

⚠ ATTENTION

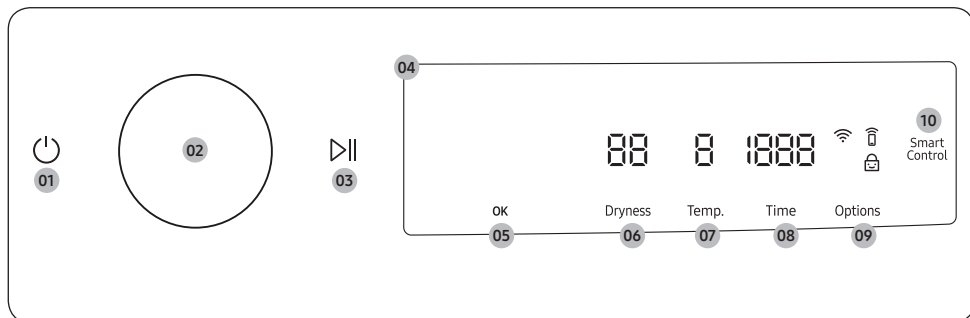
- Ne faites pas fonctionner le sèche-linge si le filtre à peluches n'est pas remis en place.
- N'utilisez pas un filtre à peluches endommagé ou cassé. Cela peut réduire les performances et/ou entraîner un incendie.

Opérations

⚠ AVERTISSEMENT

Pour réduire le risque d'incendie, d'électrocution ou de blessures, lisez la section « **Consignes de sécurité** » avant d'utiliser cet appareil.

Panneau de commande






<p>01 Marche/Arrêt </p>	<p>Appuyez doucement sur ce bouton pour allumer ou éteindre le sèche-linge.</p> <ul style="list-style-type: none"> • Si vous n'interagissez pas avec le panneau de commande pendant 10 minutes après la mise sous tension du sèche-linge, ce dernier s'éteint automatiquement. • Le sèche-linge s'éteint automatiquement une fois que le séchage est terminé. <p>⚠ ATTENTION</p> <p>N'appuyez pas sur pour éteindre le sèche-linge lorsque le séchage est en cours. Dans un premier temps, laissez le doigt appuyé doucement sur pour mettre le cycle en pause, puis appuyez doucement sur pour éteindre le sèche-linge.</p>
<p>02 Molette de navigation</p>	<p>Tournez la molette de navigation vers la gauche ou la droite pour parcourir les cycles et fonctions. Lorsque vous tournez la molette de navigation, l'écran affiche votre sélection (par ex. le cycle, les fonctions supplémentaires et les réglages).</p>
<p>03 Démarrer/Pause </p>	<p>Laissez le doigt appuyé doucement sur ce bouton pour mettre un cycle en pause.</p>
<p>04 Écran</p>	<p>L'écran affiche le cycle actuel, une estimation du temps restant, les options du cycle et d'autres messages utiles ou d'alerte.</p>
<p>05 OK</p>	<p>Appuyez doucement sur ce bouton pour confirmer la fonction ou le réglage que vous avez sélectionné(e).</p>



Opérations

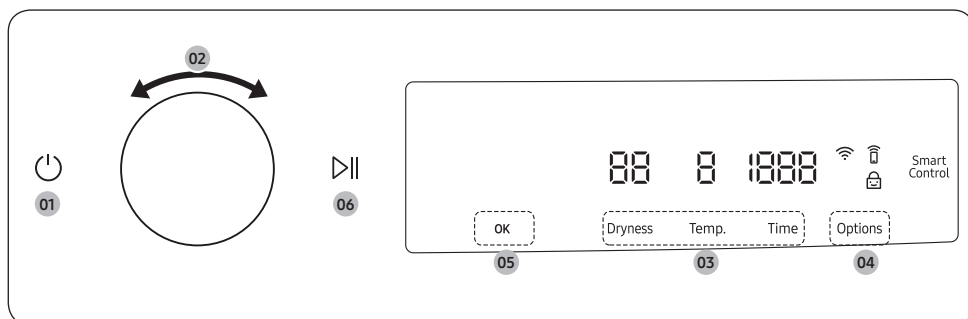
<p>06 Dryness (Séchage)</p>	<p>Appuyez doucement sur ce bouton pour modifier le niveau de séchage pour le cycle sélectionné. Vous pouvez sélectionner un niveau de séchage compris entre 1 et 5, mais le niveau disponible dépend du cycle sélectionné.</p> <ul style="list-style-type: none"> • 4 ou 5: pour les articles volumineux et épais. • 3: niveau de séchage standard. • 2: le niveau Légèrement humide est conçu pour sécher partiellement le linge. Utilisez-le pour les articles qui doivent finir de sécher à plat ou en suspension. • 1: pour sécher en douceur le linge, afin de protéger les tissus. Convient pour les articles délicats ou ceux que vous voulez laisser sécher naturellement (en les suspendant ou en les déposant à plat sur le support de séchage) lorsqu'ils sont encore mouillés.
<p>07 Temp.</p>	<p>Vous ne pouvez ajuster la température qu'avec le cycle Minuterie. Appuyez doucement sur ce bouton pour modifier la température du cycle actuel.</p>
<p>08 Time (Temps)</p>	<p>Appuyez doucement sur ce bouton pour sélectionner le temps de cycle pour Petite charge, Minuterie, Grille de séchage, Brise d'air ou Défroissage. Vous pouvez régler le temps de séchage entre 10 minutes et 90 minutes. Le temps de séchage disponible dépend du cycle sélectionné.</p>
<p>09 Options</p>	<ul style="list-style-type: none"> • Appuyez doucement sur ce bouton pour accéder au menu Options. • Laissez le doigt appuyé doucement sur ce bouton pendant 3 secondes pour accéder au menu Réglages.
<p>10 Smart Control (modèles électriques uniquement)</p>	<p>Après avoir connecté le sèche-linge à tambour à votre réseau domestique à l'aide de l'application SmartThings, vous pouvez contrôler ou surveiller le sèche-linge à distance. Une fois la fonction correspondante démarrée, le voyant Smart Control (Smart Monitor) s'allume. Le sèche-linge passe en mode d'attente et est prêt à recevoir les commandes à distance.</p>

Description des icônes

	<p>Wi-Fi</p>	<p>Cette icône indique que le sèche-linge est connecté au réseau Wi-Fi.</p>
	<p>Smart Control</p>	<p>Cette icône indique que la fonction Smart Control est activée. Pour en savoir plus sur la fonction « Smart Control », reportez-vous en page 48.</p>
	<p>Sécu. enfant</p>	<p>Cette icône indique que la fonction Sécu. enfant est activée. Pour en savoir plus sur la fonction « Sécu. enfant », reportez-vous en page 45.</p>



Utilisation d'un cycle



1. Appuyez doucement sur pour allumer le sèche-linge.
2. Tournez la **molette de navigation** pour sélectionner le cycle de votre choix. Pour en savoir plus sur la fonction « **Présentation des cycles** », reportez-vous en page 42.
3. Appuyez doucement sur **Dryness (Séchage), Temp. ou Time (Temps)** pour modifier les réglages par défaut du cycle.
4. Appuyez doucement sur **Options**, puis tournez la **molette de navigation** pour sélectionner une fonction supplémentaire. Pour en savoir plus sur la fonction « **Options** », reportez-vous en page 43.
5. Appuyez doucement sur **OK** pour modifier les réglages de la fonction supplémentaire sélectionnée. Les cycles n'ont pas tous des fonctions supplémentaires disponibles.
6. Laissez le doigt appuyé doucement sur pour lancer le cycle. Après avoir réglé le cycle de votre choix, l'écran affiche une brève description du cycle ainsi que sa durée. Vous pouvez également vérifier la progression du cycle, le temps de cycle restant et les codes d'information.



Opérations

Présentation des cycles

REMARQUE

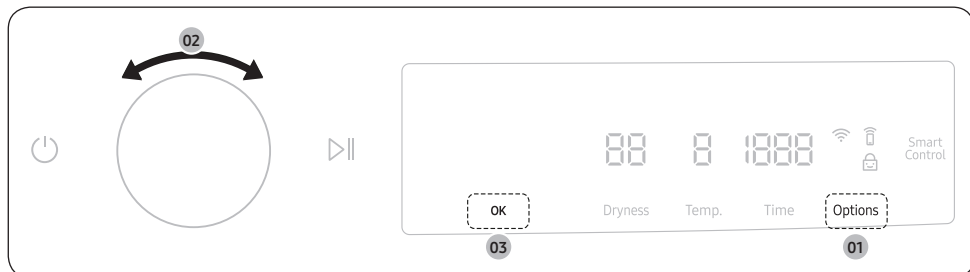
Vous pouvez utiliser d'autres cycles après les avoir ajoutés à votre liste de cycles à l'aide de la fonction Mes cycles. Pour en savoir plus, reportez-vous à la section « Mes cycles » en page 44.

Cycle	Description
Normal	Pour la plupart des tissus y compris le coton et le lin.
Minuterie	Vous pouvez spécifier un temps de cycle par incréments de 10 minutes.
Grande capacité	Pour le séchage du linge composé de tissus épais, tels que les jeans, le velours côtelé ou les vêtements de travail avec un chauffage à haute température.
Charge mixte	Pour les charges mixtes contenant du coton et des tissus synthétiques.
Petite charge	Cycle minuté pour les petites charges de linge. Le temps de cycle par défaut est de 30 minutes. Toutefois, vous pouvez modifier manuellement le temps de cycle si nécessaire.
Délicat	Pour les vêtements sensibles à la chaleur à une faible température de séchage.
Stérilisation	Utilisez cette fonction pour stériliser les articles en appliquant une température élevée sur le tissu. Ce cycle peut rendre les articles plus doux et réduire les odeurs.
Élimination des plis	Le cycle Élimination des plis permet de défroisser les vêtements propres, secs et légèrement froissés (ex. : vêtements provenant d'une armoire ou d'une valise bien remplie ou ayant été laissé dans le sèche-linge trop longtemps après la fin du cycle). Élimination des plis peut être utilisé avec toute sélection de température.
Serviettes	Utilisez ce bouton pour faire sécher du linge tel que des serviettes de bain.
Sport	Pour laver les vêtements de sports et d'extérieur tels que les maillots, les shorts, les vestes imperméables et autres. Les tissus épais comme une fermeture éclair ou le Velcro d'une veste, ou des chaussettes de sport peuvent ne pas être complètement séchés.
Jeans	Utilisez une température de séchage progressive pour éliminer l'humidité des jeans.
Chemises	Pour faire sécher rapidement peu d'articles, par exemple une chemise.
Laine	Lainages lavables en machine et séchables en sèche-linge uniquement. Pour obtenir un résultat optimal, tournez le linge à l'envers avant de le faire sécher.
Infroissable	Ce cycle permet le séchage automatique des tissus infroissables en coton, synthétique et lainage.
Brise d'air	Fait tourner le linge avec de l'air à température ambiante.



Options

Utilisation du menu Options



1. Appuyez doucement sur **Options**.
2. Tournez la **molette de navigation** pour sélectionner la fonction supplémentaire souhaitée.
3. Appuyez doucement sur **OK** pour modifier les réglages de la fonction sélectionnée ou pour démarrer la fonction.

REMARQUE

- Pour revenir à l'écran principal, appuyez à nouveau doucement sur **Options** ou tournez la **molette de navigation** pour sélectionner **Retour** et appuyez doucement sur **OK**.
- Si la fonction sélectionnée n'est pas prise en charge, le message « **Non pris en charge** » s'affiche et le bouton **OK** n'est pas actif.
- Lorsque vous sélectionnez une fonction supplémentaire, un court message d'aide apparaît lors des dix premières utilisations.
- Si vous n'interagissez pas avec le panneau de commande pendant 7 secondes après l'accès au menu Options, l'écran revient à l'écran principal.

Anti-pli

Évite la formation de plis avec la rotation du tambour par intermittence après la fin du cycle de séchage. Le cycle Anti-pli dure environ 180 minutes. Le linge est sec et vous pouvez le retirer à tout moment pendant le cycle Anti-pli.

1. Appuyez doucement sur **Options**.
2. Tournez la **molette de navigation** pour sélectionner **Anti-pli**, puis appuyez doucement sur **OK**.
3. Appuyez doucement sur **OK** pour sélectionner **Activation** ou **Désactivation**.



Opérations

Alerte humidité

Cette fonction vous avertit quand des chemises ou d'autres articles devant être repassés sont suffisamment secs pour faciliter le repassage.

1. Sélectionnez un cycle et modifiez les réglages du cycle au besoin.
 - Cette fonction est disponible pour Normal, Grande capacité, Délicat, Infroissable, Serviettes et Jeans avec la fonction Séchage réglée entre 2 et 5.
2. Appuyez doucement sur **Options**.
3. Tournez la **molette de navigation** pour sélectionner **Alerte humidité**, puis appuyez doucement sur **OK**.
4. Appuyez doucement sur **OK** pour sélectionner **Activation** ou **Désactivation**.

Alarme pendant le séchage :

1. Laissez le doigt appuyé doucement sur **▷||** pour mettre le cycle en pause.
2. Ouvrez le hublot et sortez les articles à repasser.
3. Fermez le hublot, puis laissez le doigt appuyé doucement sur **▷||** pour faire sécher le reste du linge.

Mes cycles

Ajoutez ou supprimez des cycles pour créer une liste de cycles personnalisée.

1. Appuyez doucement sur **Options**.
2. Tournez la **molette de navigation** pour sélectionner **Mes cycles**, puis appuyez doucement sur **OK**.
 - Vous ne pouvez modifier un cycle pour créer une liste de cycles personnalisée que lorsque le sèche-linge n'est pas en marche.
3. Tournez la **molette de navigation** pour sélectionner le cycle souhaité.
4. Appuyez doucement sur **OK** pour ajouter ou supprimer le cycle sélectionné.
 - L'ajout ou la suppression d'un cycle est automatiquement enregistré.
5. Appuyez doucement sur **Options** ou sélectionnez **Retour** pour finaliser le réglage de la fonction Mes cycles.

REMARQUE

Le cycle Normal ne peut pas être supprimé de la liste des cycles.

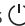
Éclairage tambour


Vous pouvez activer ou désactiver l'éclairage du tambour.

1. Appuyez doucement sur **Options**.
2. Tournez la **molette de navigation** pour sélectionner **Éclairage tambour**, puis appuyez doucement sur **OK**.
3. Appuyez doucement sur **OK** pour sélectionner **Activation** ou **Désactivation**.
 - L'éclairage du tambour s'allume même lorsque le sèche-linge est éteint. (Si le sèche-linge est branché à une prise électrique.)
 - Lorsque le hublot du sèche-linge s'ouvre, l'éclairage du tambour s'allume automatiquement et il s'éteint automatiquement après un délai de 2 minutes.




Sécu. enfant

Afin d'éviter que des enfants ou bébés ne démarrent ou paramètrent accidentellement le sèche-linge, la fonction **Sécu. enfant** permet de verrouiller tous les boutons à l'exception des boutons  et **Options**.

1. Fermez le hublot.
2. Appuyez doucement sur **Options**.
3. Tournez la **molette de navigation** pour sélectionner **Sécu. enfant**, puis appuyez doucement sur **OK**.
4. Appuyez doucement sur **OK** pour sélectionner **Activation** ou **Désactivation**.
 - L'icône **Sécu. enfant**  s'allume lorsque la fonction est activée.
 - Vous ne pouvez pas activer la fonction Sécu. enfant si le hublot est ouvert. Si le message « **Le hublot est ouvert** » s'affiche à l'écran lorsque vous activez la fonction Sécu. enfant, fermez le hublot et réessayez.

REMARQUE

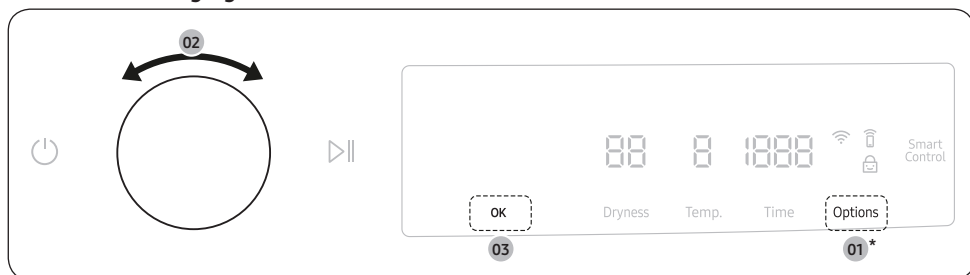
- Lorsque la fonction Sécu. enfant est activée, tous les boutons sont désactivés à l'exception des boutons  et **Options**.
- Si vous appuyez doucement sur un bouton alors que la fonction Sécu. enfant est activée, une alarme se déclenche et le message « **Sécurité enfant activée** » s'affiche.
- Si vous ouvrez et fermez le hublot alors que la fonction Sécu. enfant est activée, une alarme se déclenche et les messages « **Ouvrez le hublot et inspectez** » et « **Sécurité enfant activée** » s'affichent.
- Pour ignorer un message de notification, désactivez la fonction Sécu. enfant ou mettez l'appareil hors tension.



Opérations

Réglages

Utilisation des réglages



* Laissez le doigt appuyé doucement dessus pendant 3 secondes.

1. Laissez le doigt appuyé doucement sur **Options** pendant 3 secondes.
2. Tournez la **molette de navigation** et sélectionnez le réglage souhaité, puis appuyez doucement sur **OK**.
3. Appuyez doucement sur **OK** pour modifier les réglages de la fonction sélectionnée ou pour démarrer la fonction.

REMARQUE

- Pour revenir à l'écran principal, appuyez à nouveau doucement sur **Options** ou tournez la **molette de navigation** pour sélectionner **Retour** et appuyez doucement sur **OK**.
- Si vous n'interagissez pas avec le panneau de commande pendant 7 secondes après l'accès au menu Réglages, l'écran revient à l'écran principal.

Modèle d'IA

Cette fonction enregistre les cycles et réglages que vous utilisez fréquemment.

1. Laissez le doigt appuyé doucement sur **Options** pendant 3 secondes.
2. Tournez la **molette de navigation** pour sélectionner **Modèle d'IA**, puis appuyez doucement sur **OK**.
3. Appuyez doucement sur **OK** pour sélectionner **Activation** ou **Désactivation**.
 - Le réglage par défaut est **Activation**. Réglez-la sur **Désactivation** si vous ne souhaitez pas utiliser cette fonction.
 - Lorsque vous activez la fonction, le sèche-linge mémorise les cycles que vous utilisez fréquemment et leurs réglages (fonction Niveau de séchage et bouton **Dryness (Séchage)**, fonction Temps et bouton **Time (Temps)**) et il les enregistre dans l'ordre de leur fréquence d'utilisation.
 - Lorsque vous désactivez la fonction, toutes les données enregistrées se réinitialisent.



Alarme

Vous pouvez allumer ou éteindre le son du sèche-linge.


1. Laissez le doigt appuyé doucement sur **Options** pendant 3 secondes.
2. Tournez la **molette de navigation** pour sélectionner **Alarme**, puis appuyez doucement sur **OK**.
3. Appuyez doucement sur **OK** pour sélectionner **Activation** ou **Désactivation**.
 - Le réglage par défaut est **Activation**.

REMARQUE

Le réglage reste inchangé même si vous redémarrez le sèche-linge.

Wi-Fi

Vous pouvez activer ou désactiver la connexion Wi-Fi du sèche-linge.

1. Laissez le doigt appuyé doucement sur **Options** pendant 3 secondes.
2. Tournez la **molette de navigation** pour sélectionner **Wi-Fi**, puis appuyez doucement sur **OK**.
3. Appuyez doucement sur **OK** pour sélectionner **Activation** ou **Désactivation**.
 - Par défaut en sortie d'usine, la connexion Wi-Fi du sèche-linge est désactivée. Toutefois, la connexion Wi-Fi du sèche-linge s'active automatiquement lorsque vous allumez le sèche-linge pour la première fois. Par la suite, le réglage final de la fonction Wi-Fi est conservé quel que soit l'état d'alimentation du sèche-linge.
 - Une fois que vous activez la connexion Wi-Fi du sèche-linge et que vous connectez l'appareil à un réseau, le sèche-linge reste connecté au réseau même si vous le mettez hors tension.
 - L'icône  de la fonction Wi-Fi indique que le sèche-linge est connecté au routeur par connexion Wi-Fi.

Langue

Vous pouvez changer la langue du système.

1. Laissez le doigt appuyé doucement sur **Options** pendant 3 secondes.
2. Tournez la **molette de navigation** pour sélectionner **Langue**, puis appuyez doucement sur **OK**.
3. Tournez la **molette de navigation** pour sélectionner la langue souhaitée, puis appuyez doucement sur **OK**.

Test blocage entrée d'air

Cette fonction détecte l'état des conduits et signale tout blocage ou problème.

1. Laissez le doigt appuyé doucement sur **Options** pendant 3 secondes.
2. Tournez la **molette de navigation** pour sélectionner **Test blocage entrée d'air**, puis appuyez doucement sur **OK**.
 - Le test de blocage de l'aération commence immédiatement.

Réinitialiser

Vous pouvez réinitialiser votre sèche-linge.

1. Laissez le doigt appuyé doucement sur **Options** pendant 3 secondes.
2. Tournez la **molette de navigation** pour sélectionner **Réinitialiser**, puis appuyez doucement sur **OK**.
 - Votre sèche-linge rétablit ses réglages d'usine.




Opérations

Fonctions spéciales

Smart Control

Vous pouvez connecter l'appareil à l'application SmartThings et le contrôler à distance.
(**Smart Control** pour les modèles électriques.)

Connexion de votre sèche-linge



- Téléchargez et ouvrez l'application SmartThings sur votre appareil mobile.
- Appuyez doucement sur  pour allumer le sèche-linge.
- Laissez le doigt appuyé doucement sur **Smart Control / Smart Monitor** sur le sèche-linge.
 - a. Le sèche-linge passe en mode AP (Point d'accès) et se connecte à votre appareil mobile.
 - b. Appuyez doucement sur **Smart Control / Smart Monitor** pour authentifier votre sèche-linge sur votre appareil mobile.
 - c. Une fois le processus d'authentification terminé, votre sèche-linge est connecté avec succès à l'application. Utilisez les diverses fonctions disponibles sur l'application SmartThings.

REMARQUE

- Si votre sèche-linge ne parvient pas à se connecter à l'application SmartThings, réessayez.
- Vérifiez votre routeur si vous rencontrez des problèmes de connexion Internet après avoir connecté votre sèche-linge à l'application SmartThings.
- Si la fonction Wi-Fi est désactivée, laissez le doigt appuyé doucement sur **Options** pendant 3 secondes pour aller sur **Réglages**, sélectionnez **Wi-Fi** puis appuyez doucement sur **OK** pour l'activer.
- L'activation de la connexion Wi-Fi du sèche-linge vous permet d'établir la connexion avec le sèche-linge via l'application SmartThings sur votre smartphone, quel que soit l'état d'alimentation du sèche-linge. Toutefois, le sèche-linge apparaît comme étant hors ligne sur l'application SmartThings si la connexion Wi-Fi du sèche-linge est désactivée.
- Fermez le hublot avant de démarrer la fonction Smart Control.
- Si vous utilisez 20 fois le sèche-linge sans l'avoir connecté à l'application SmartThings, la prochaine fois que vous allumerez le sèche-linge, une fenêtre contextuelle relative à la connexion Smart Control apparaîtra pendant 3 secondes.
- Si la connexion Wi-Fi du sèche-linge à un PA (point d'accès) n'est pas établie, la fonction Wi-Fi se désactive lorsque vous mettez l'appareil hors tension.

Maintien de connexion

Configurez la fonction Maintien de connexion sur votre application SmartThings. Votre sèche-linge reste connecté à l'application. Ainsi, vous pouvez utiliser le sèche-linge lorsque vous n'êtes pas chez vous.

1. Si vous activez la fonction Maintien de connexion sur l'application SmartThings, le sèche-linge restera en mode Veille après la fin d'un cycle.
 - La fonction Maintien de connexion reste active pendant 24 heures maximum si le hublot reste fermé.
2. Lorsque la fonction Maintien de connexion est activée, les icônes des fonctions Smart Control  et Wi-Fi  s'allument sur l'écran de votre sèche-linge.
3. Contrôle pratique de votre sèche-linge à l'aide de l'application SmartThings

REMARQUE

Le sèche-linge passe en mode Veille lorsque son fonctionnement est mis en pause même si l'appareil n'est pas connecté à l'application SmartThings.



SmartThings

Connexion Wi-Fi

Sur votre smartphone, allez dans **Settings (Réglages)**, activez la connexion sans fil et sélectionnez un point d'accès.

- L'appareil prend en charge les protocoles Wi-Fi 2,4 GHz.

Télécharger

Sur un marché des applications (Google Play Store, Apple App Store, Samsung Galaxy Apps), recherchez l'application SmartThings à l'aide du mot-clé de recherche « SmartThings ». Téléchargez et installez l'application sur votre appareil.

REMARQUE

L'application est susceptible d'être modifiée sans préavis en vue d'en améliorer les performances. De plus, les mises à jour ultérieures sur l'application ou le fonctionnement de l'application risquent d'être suspendus pour des raisons d'utilisation et de sécurité, même si les mises à jour sont actuellement prises en charge sur votre système d'exploitation.

Connexion

Vous devez d'abord vous connecter sur SmartThings avec votre compte Samsung. Pour créer un nouveau compte Samsung, suivez les instructions de l'application. Vous n'avez pas besoin d'une application distincte pour créer votre compte.

REMARQUE

Si vous avez déjà un compte Samsung, utilisez-le pour vous connecter. Un utilisateur ayant un smartphone Samsung enregistré peut se connecter automatiquement.

Pour enregistrer votre appareil sur SmartThings

1. Assurez-vous que votre smartphone est connecté à un réseau sans fil. Dans le cas contraire, allez aux **Settings (Réglages)** et allumez la connexion sans fil et sélectionnez un AP (Point d'accès).
2. Ouvrez **SmartThings** sur votre smartphone.
3. Si le message « A new device is found.(Nouvel appareil détecté.)» s'affiche, sélectionnez **Add (Ajouter)**.
4. Si aucun message n'apparaît, sélectionnez **+** et sélectionnez votre appareil dans la liste des appareils disponibles. Si votre appareil ne figure pas dans la liste, sélectionnez **Device Type (Type d'appareil) > Specific Device Model (Modèle d'appareil spécifique)**, puis ajoutez manuellement votre appareil.
5. Enregistrez votre appareil sur l'application SmartThings comme suit.
 - a. Ajoutez votre appareil sur SmartThings. Assurez-vous que votre appareil est connecté à SmartThings.
 - b. Une fois l'enregistrement terminé, votre appareil apparaît sur votre smartphone.

Opérations

Tableau des programmes

REMARQUE

Pour un résultat optimal, respectez ces recommandations de volume de charge pour chaque cycle de séchage.

- Charge importante : Remplissez le tambour aux $\frac{3}{4}$ environ. Au-delà de cette limite, n'ajoutez pas d'articles supplémentaires afin que le linge tourne librement.
- ◐ Charge moyenne : Remplissez le tambour aux $\frac{1}{2}$ environ.
- Petite charge : Remplissez le tambour de 3 à 5 articles (pas plus du $\frac{1}{4}$).

Cycle	Articles recommandés	Volume de charge	Niveau de séchage
Normal	Coton, vêtements de travail, lin, charges mixtes	●	Séchage normal, niveau 5 (réglable)
Minuterie	Toute charge	●	-
Grande capacité	Tissus lourds, tels que les jeans, les velours côtelés ou les vêtements de travail lourds	●	Séchage normal, niveau 5 (réglable)
Charge mixte	Charges mixtes contenant du coton et des tissus synthétiques	●	Séchage normal, niveau 3 (réglable)
Petite charge	Petites charges	○	-
Délicat	Sous-vêtements, chemisiers, lingerie	◐	Séchage normal, niveau 5 (réglable)
Stérilisation	Literie, rideaux, vêtements d'enfant	◐	Très sec (aucun changement)
Élimination des plis	Chemises, pantalons, chemisiers	○	-
Serviettes	Serviettes et linge de bain	●	Séchage normal, niveau 5 (réglable)
Sport	Vêtements imperméables, habits de scène, tenues de sport (maximum : 4 lb)	◐	Séchage normal (aucun changement)
Jeans	Jeans	◐	Séchage normal, niveau 5 (réglable)
Chemises	Chemises, chemisiers	○	Séchage normal, niveau 5 (réglable)
Laine	Lainages lavable en machine et séchables en sèche-linge uniquement. (Charge maximale : 3 lb)	○	Séchage normal (aucun changement)
Infroissable	Chemises, tissus synthétiques, lainages, tissus infroissables en coton, tissus infroissables	◐	Séchage normal, niveau 5 (réglable)
Brise d'air	Mousse, caoutchouc, matières plastiques	○	-

REMARQUE

● : réglage par défaut, ○ : peut être sélectionné

Cycle	Fonctions (contrôle de la température)	Temps	Options	
			Alerte humidité	Anti-pli
Normal	Moyenne, niveau 4		○	○
Minuterie	Élevée, niveau 5 (réglable)	○		○
Grande capacité	Élevée, niveau 5		○	○
Charge mixte	Moyenne, niveau 4		○	○
Petite charge	Élevée, niveau 5	○		○
Délicat	Très faible, niveau 1		○	○
Stérilisation	Élevée, niveau 5			○
Élimination des plis	Moyen faible, niveau 3 (réglable)	○		○
Serviettes	Élevée, niveau 5		○	○
Sport	Faible, niveau 2			○
Jeans	Moyenne, niveau 4		○	○
Chemises	Moyenne, niveau 4		○	○
Laine	Faible, niveau 2			○
Infroissable	Moyenne, niveau 4		○	○
Brise d'air	-	○		○

Opérations

Guide de séchage

La meilleure méthode pour faire sécher du linge est de suivre les instructions indiquées sur l'étiquette d'entretien. Si aucune instruction de séchage n'est fournie, reportez-vous au tableau suivant pour référence.

Articles	Description
Couvre-lits et couettes	Suivez les instructions figurant sur l'étiquette d'entretien ou séchez à l'aide du cycle Draps. <ul style="list-style-type: none">Assurez-vous que l'article est complètement sec avant de l'utiliser ou de le ranger.Il est parfois nécessaire de repositionner l'article dans le tambour pour assurer un séchage homogène.
Couvertures	Utilisez le cycle Normal et ne séchez qu'une seule couverture à la fois pour optimiser l'action du tambour. <ul style="list-style-type: none">Assurez-vous que les couvertures sont complètement sèches avant de les utiliser ou de les ranger.
Rideaux et tentures	Utilisez le cycle Infroissable et le réglage de température Moyen faible pour réduire le froissage. <ul style="list-style-type: none">Faites sécher vos rideaux et tentures par petites charges pour des résultats optimaux et retirez-les du sèche-linge dès que possible après la fin du cycle.
Couches en tissu	Utilisez le cycle Normal et le réglage de température Moyenne pour les couches ouatées et duveteuses.
Articles garnis de duvet (vestes, sacs de couchage, couettes, etc.)	Utilisez le cycle Normal et le réglage de température Moyenne. <ul style="list-style-type: none">Ajoutez quelques serviettes sèches pour absorber l'humidité et réduire le temps de séchage.
Caoutchouc mousse (tapis, peluches, épaulettes, etc.)	Ne faites pas sécher ces articles à chaud. ⚠ AVERTISSEMENT Sécher un article à base de caoutchouc à un réglage de température élevée risque de l'endommager ou de provoquer un incendie.
Oreillers	Utilisez le cycle Normal. <ul style="list-style-type: none">Ajoutez quelques serviettes sèches et une paire de baskets propres pour favoriser l'action du tambour et dépelucher les oreillers.Ne faites pas sécher des oreillers à base de capoc ou de mousse avec un cycle de séchage à chaud.
Plastiques (rideaux de douche, bâches, etc.)	Utilisez le cycle Minuterie et le réglage de température Basse en fonction des symboles figurant sur l'étiquette d'entretien.

⚠ AVERTISSEMENT

Ne faites pas sécher :

- des articles en fibre de verre (rideaux, tentures, etc.)
- des lainages, sauf indication contraire sur l'étiquette
- des articles imprégnés d'huile végétale ou alimentaire



Maintenance

Gardez le sèche-linge propre afin de garantir les meilleures performances et de rallonger sa durée de vie.

AVERTISSEMENT

La mise à la terre de certaines pièces internes n'a volontairement pas été effectuée ; ces éléments peuvent donc présenter un risque d'électrocution (lors de l'entretien uniquement).

Technicien de maintenance - Ne touchez pas les pièces suivantes lorsque l'appareil est sous tension: Panneau de commande et vanne d'arrivée d'eau.

Nettoyage

Panneau de commande

- Nettoyez-le avec un chiffon doux et humide. N'utilisez pas de produits abrasifs.
- Ne vaporisez pas de produits de nettoyage liquides directement sur l'écran du sèche-linge.
- Certains détachants pour tissu peuvent endommager le panneau de commande.
- Lors de l'utilisation d'agents de nettoyage liquides, appliquez-les sur le chiffon de nettoyage. Ne les appliquez pas directement sur le sèche-linge. Essayez immédiatement toute éclaboussure ou vaporisation en excès.

Tambour

- Éliminez toute tache présente sur le tambour à l'aide d'un détachant universel.
- Frottez ensuite avec une vieille serviette ou un chiffon, pour retirer toute tache restante ou substance de nettoyage. Les taches peuvent être encore visibles, mais n'affecteront pas les charges suivantes.

Tambour à revêtement par pulvérisation

Pour nettoyer le tambour à revêtement par pulvérisation, utilisez un chiffon humide imprégné d'un nettoyant doux et non abrasif adapté aux surfaces aisément altérées.

Retirez les résidus de détergent et essuyez avec un chiffon propre.

Extérieur du sèche-linge

- Nettoyez-le avec un chiffon doux et humide. N'utilisez pas de produits abrasifs.
- Protégez la surface des objets pointus.
- N'entrez pas d'objets lourds (ex. : baril de lessive) ou à arêtes tranchantes sur le lave-linge. Ceci risquerait de rayer ou d'endommager le capot supérieur du sèche-linge.
- L'habillage de l'ensemble du sèche-linge est lisse et brillant. Faites attention à ne pas rayer ou endommager la surface.

Système d'évacuation

- Vérifiez et nettoyez le système d'évacuation de façon régulière afin de maintenir des performances optimales.
- La hotte externe doit être nettoyée fréquemment pour garantir une bonne circulation de l'air.





Maintenance

Capteur de ventilation

Le sèche-linge est équipé d'un capteur de ventilation qui détecte et vous prévient lorsque les conduits doivent être nettoyés. Vérifiez les points suivants si le message « **Vérifiez le filtre à peluches ou l'état des conduits** » s'affiche.

REMARQUE

- Pour l'installation du conduit, reportez-vous à la section « **Guide d'installation du conduit d'évacuation** » en page **32** et à la section « **Conditions requises en matière de conduits** » en page **17**.
- Le sèche-linge peut continuer de fonctionner même si le conduit est bouché, mais le temps de séchage sera allongé.
- Lorsque le message s'affiche, vérifiez le filtre à peluches et les conduits et nettoyez-les si nécessaire.
- Si le message reste affiché, c'est parce que le conduit est installé ou raccordé avec certaines restrictions (il est trop long ou possède trop de courbures). Il ne s'agit pas d'un dysfonctionnement du système. Cependant, le temps de séchage peut être allongé ou les performances de séchage peuvent être dégradées.



Dépannage

Contrôles à effectuer

Si vous rencontrez un problème avec le sèche-linge, consultez d'abord le tableau ci-dessous et essayez les actions suggérées.

Problème	Action
Le sèche-linge ne démarre pas.	<ul style="list-style-type: none">Assurez-vous que le sèche-linge est branché.Assurez-vous que le hublot est correctement fermé.Vérifiez le fusible ou réinitialisez le disjoncteur.Si vous avez ouvert le hublot pendant un cycle, laissez à nouveau le doigt appuyé doucement sur ► .Nettoyez le filtre.Assurez-vous que Sécurité enfant n'est pas activé.
Le sèche-linge ne chauffe pas.	<ul style="list-style-type: none">Vérifiez le disjoncteur et les fusibles de votre domicile.Certains cycles ne nécessitent pas de chauffage. Vérifiez à nouveau le cycle sélectionné.Nettoyez le filtre à peluches et le conduit d'évacuation.Le sèche-linge est peut-être en phase de refroidissement du cycle.
Le linge n'est pas sec.	<p>Vérifiez tous les points mentionnés ci-dessus. De plus :</p> <ul style="list-style-type: none">Vérifiez que la hotte extérieure s'ouvre et se ferme sans problème.Vérifiez que des peluches ne se sont pas accumulées dans le système d'évacuation. Le conduit doit être inspecté et nettoyé une fois par an.Utilisez un conduit d'évacuation métallique rigide de 4 pouces.Évitez de surcharger le tambour. 1 charge de linge lavée = 1 charge de linge à sécher.Séchez le linge épais et le linge léger séparément.Il est parfois nécessaire de repositionner dans le sèche-linge les articles volumineux, comme les couvertures ou les couettes, pour assurer un séchage homogène.Vérifiez que votre sèche-linge essore correctement le linge et évacue la quantité d'eau adéquate.La charge de linge est peut-être insuffisante pour que l'action du tambour soit efficace. Ajoutez quelques serviettes et relancez le cycle.La charge de linge est peut-être trop importante pour que l'action du tambour soit efficace. Retirez du linge et relancez le sèche-linge.Nettoyez le filtre à peluches.
Le sèche-linge est trop bruyant.	<ul style="list-style-type: none">Vérifiez s'il y a des pièces de monnaie, boutons détachés, clous ou autres objets et retirez-les immédiatement.Vérifiez le filtre à peluches. Retirez les articles qui sont coincés à l'intérieur du filtre à peluches.Assurez-vous que le sèche-linge est de niveau et repose fermement sur le sol.Il est possible que le sèche-linge bourdonne à cause de l'air circulant dans le tambour et le ventilateur. Cette situation est normale.Il est normal d'entendre la mise en marche et l'arrêt du robinet de gaz du sèche-linge (le cas échéant) ou du système de chauffage, tout au long du programme de séchage.



Dépannage

Problème	Action
Le linge n'a pas été séché uniformément.	<ul style="list-style-type: none"> Les coutures, poches et autres parties des vêtements sont plus difficiles à sécher que d'autres. Cette situation est normale. Triez les articles lourds et légers séparément.
Le sèche-linge dégage une odeur.	<ul style="list-style-type: none"> Il est possible que l'odeur de peinture, de vernis, d'agent nettoyant et d'autres produits ménagers ait circulé dans l'air et ait pénétré dans le sèche-linge. Si vous remarquez une telle odeur, aérez complètement avant d'utiliser le sèche-linge. Si vous effectuez le séchage dans un lieu clos, le sèche-linge pourrait provoquer l'augmentation de la température ambiante. Par conséquent, veillez à ouvrir une fenêtre et à aérer la pièce. N'essayez pas de faire sécher des articles mouillés après les avoir laissés dans le lave-linge ou le sèche-linge pendant une période prolongée.
Le sèche-linge s'éteint avant que le linge ne soit sec.	<ul style="list-style-type: none"> Il n'y a pas assez de linge. Insérez quelques articles supplémentaires comme des serviettes et réessayez de faire sécher.
Les vêtements comportent des peluches.	<ul style="list-style-type: none"> Vérifiez toujours que le filtre à peluches est propre avant de mettre des articles dans le sèche-linge. Lorsque vous faites sécher des articles qui génèrent de grosses quantités de peluches, il se peut que vous deviez nettoyer le filtre à peluches pendant le cycle. Certains tissus (comme les serviettes blanches) produisent plus de peluches et doivent être séchés séparément des tissus sur lesquels les peluches se déposent facilement (comme les pantalons noirs en lin). Vérifiez l'intérieur des poches pour vous assurer qu'elles sont vides avant de lancer un cycle de séchage.
Les articles sont encore froissés après un cycle Anti-pli (Défroissage, Élimination des plis).	<ul style="list-style-type: none"> Chargez entre 1 et 4 articles pour plus d'efficacité. Allégez la charge. Faites sécher des articles similaires. Retirez les articles immédiatement après la fin du cycle de séchage.
De l'eau s'écoule par la buse au démarrage d'un cycle Vapeur.	<ul style="list-style-type: none"> Il s'agit de la condensation de la vapeur. Ce phénomène s'arrête tout seul en peu de temps.
L'eau vaporisée est invisible lors des cycles Vapeur.	<ul style="list-style-type: none"> Il est difficile de voir les minuscules gouttes d'eau vaporisées lorsque le hublot est fermé.
Durée prolongée.	<ul style="list-style-type: none"> La fonction Sensor Dry (Séchage à capteur) calcule automatiquement le taux d'humidité du linge et arrête le sèche-linge une fois le degré souhaité de séchage (Séchage fort à Légèrement humide) atteint. La durée de séchage peut varier en fonction du type et de la quantité de linge. Consultez le tableau des cycles pour référence.

Si un problème persiste, contactez un service de service Samsung local.



Codes d'information

Si le sèche-linge ne parvient pas à fonctionner, vous pouvez voir un code d'information affiché à l'écran d'affichage. Pour déterminer ce que vous devez faire, vérifiez la liste de codes figurant dans le tableau ci-dessous, puis essayez les actions suggérées.

Code d'information	Signification	Action
Le hublot est ouvert	Faire fonctionner le sèche-linge lorsque le hublot est ouvert.	<ul style="list-style-type: none"> Assurez-vous que le hublot est correctement fermé. Assurez-vous que le linge n'est pas pris dans le hublot
FC	Fréquence de source d'alimentation non valide.	<ul style="list-style-type: none"> Essayez de relancer le cycle. Si ce code d'information subsiste, contactez un centre de service Samsung.
AC	Problème de commande électronique (Communication non valide).	Contactez un centre de service Samsung.
HC	Vérification du chauffage à haute température.	<ul style="list-style-type: none"> Nettoyez le filtre à peluches. Si ce code d'information subsiste, contactez un centre de service Samsung.
9C1	Le contrôle électronique doit être vérifié.	<ul style="list-style-type: none"> Vérifiez que le cordon d'alimentation est correctement branché. Vérifiez que la prise électrique fonctionne correctement. Si le code d'information subsiste, contactez un centre de service Samsung.
tC	La résistance de la thermistance ¹ est très faible ou très élevée.	<ul style="list-style-type: none"> Vérifiez si le filtre à peluches est bouché. Vérifiez si les capacités du système d'aération sont réduites. Si ce code d'information subsiste, contactez un centre de service Samsung.
tC5	La résistance de la thermistance ² est très faible ou très élevée.	<ul style="list-style-type: none"> Vérifiez si le filtre à peluches est bouché. Vérifiez si les capacités du système d'aération sont réduites. Si ce code d'information subsiste, contactez un centre de service Samsung.
dF	Interrupteur du hublot incorrect.	Contactez un centre de service Samsung.

Si un code d'information demeure affiché sur l'écran, contactez un centre de service Samsung.



Caractéristiques techniques

Tableau des symboles d'entretien des textiles

Les symboles suivants fournissent des conseils d'entretien des vêtements. Les étiquettes d'entretien des vêtements incluent des symboles relatifs au séchage, au blanchiment, au repassage et au nettoyage à sec. L'utilisation de ces symboles garantit la cohérence des informations entre les fabricants de vêtements (articles domestiques ou importés). Suivez les instructions sur l'étiquette d'entretien afin d'optimiser la durée de vie de votre linge et d'éviter des problèmes au lavage.

	Agent de blanchiment non chloré (non décolorant) uniquement (si nécessaire)
	Séchage en machine

Cycle de lavage

	Normal
	Infroissable/Anti-plis/Anti-froissage
	Délicat
	Lavage main

Normal

	Infroissable/Anti-plis/Anti-froissage
	Délicat

Consignes spéciales

	Séchage sur corde/en suspension
	Séchage sans essorage
	Séchage à plat

Température de l'eau

	Chaude
	Tiède
	Froide

REMARQUE

Le tableau Température de l'eau répertorie les températures appropriées de l'eau de lavage pour divers articles. La plage de températures est comprise entre 106-126 °F (41-52 °C) pour Chaude, entre 84-106 °F (29-41 °C) pour Tiède et entre 61-84 °F (16-29 °C) pour Froide. (La température de l'eau de lavage doit être d'au moins 61 °F (16 °C) pour activer les agents nettoyants et obtenir un lavage efficace.)

Agent de blanchiment

	Tout type (si nécessaire)
--	---------------------------

Température







	Élevée
	Moyenne
	Basse
	Toutes températures
	Sans chaleur/À l'air libre

Températures de repassage facile ou vapeur






	Élevée
	Moyenne
	Basse



Symboles d'avertissement pour le lavage

	Ne pas laver
	Ne pas tordre
	Pas de chlorage
	Séchage en machine interdit
	Pas de vapeur (ajoutée au fer à repasser)
	Pas de repassage

Nettoyage à sec autorisé

	Nettoyage à sec autorisé
	Nettoyage à sec interdit
	Séchage sur corde/en suspension
	Séchage sans essorage
	Séchage à plat

Protection de l'environnement

Cet appareil a été fabriqué à partir de matériaux recyclables. Si vous décidez de le jeter, veuillez respecter les normes locales en matière d'évacuation des déchets. Coupez le cordon d'alimentation de façon à ce que l'appareil ne puisse pas être raccordé à une source électrique. Enlevez le hublot pour que des animaux et des jeunes enfants ne se retrouvent pas piégés à l'intérieur de l'appareil.

Fiche de spécifications

Type		Sèche-linge à chargement frontal
Capacité (en pieds cubes)		4,0
Poids	lb (kg)	110 (50)
Puissance de chauffe	Électrique (W)	2200
Consommation (W)		2500



GARANTIE LIMITÉE (ÉTATS-UNIS)

SÈCHE-LINGE SAMSUNG

GARANTIE LIMITÉE POUR L'ACHETEUR-CONSOMMATEUR INITIAL AVEC PREUVE D'ACHAT

Ce produit de la marque SAMSUNG, fourni, distribué par SAMSUNG ELECTRONICS AMERICA, INC. (SAMSUNG) et livré neuf à l'acheteur-consommateur initial, dans son emballage d'origine, s'accompagne d'une garantie de SAMSUNG contre tout vice de fabrication au niveau des pièces et de la main d'œuvre pendant une période limitée, commençant à la date d'achat initiale, de :

Un (1) an (pièces et main d'œuvre)

Cette garantie limitée ne s'applique qu'aux appareils achetés et utilisés aux États-Unis qui ont été installés, utilisés et entretenus conformément aux instructions jointes ou fournies avec l'appareil. Pour bénéficier de réparations dans le cadre de la présente garantie, l'acheteur doit contacter la société SAMSUNG à l'adresse ou au numéro de téléphone indiqués ci-dessous, afin qu'elle détermine l'origine du problème et une procédure de réparation. Les services de garantie peuvent être pris en charge uniquement par un centre de service agréé SAMSUNG. Lors de la remise d'un produit défectueux à SAMSUNG ou à un centre de service agréé SAMSUNG, l'acheteur est tenu de présenter le coupon d'achat d'origine sur demande, à titre de preuve d'achat, pour pouvoir bénéficier des services de garantie.

SAMSUNG assurera gratuitement un service à domicile au sein des États-Unis contigus durant la période de garantie, sous réserve de disponibilité des techniciens agréés SAMSUNG au sein de la zone géographique du client. Si le service à domicile n'est pas disponible, SAMSUNG peut, à sa propre discrétion, choisir de prendre à sa charge le transport aller/retour du produit vers un centre de service agréé. Si l'appareil se trouve dans une zone où le service par un technicien agréé SAMSUNG n'est pas disponible, il se peut que vous deviez prendre en charge des frais de transport ou transporter l'appareil vers un centre de service agréé SAMSUNG pour le faire réparer.

Pour bénéficier du service à domicile, l'appareil doit être situé dans un emplacement accessible à notre personnel.

Durant la période de garantie applicable, un appareil sera réparé, remplacé ou son prix d'achat remboursé, à la seule discrétion de SAMSUNG. Il se peut que SAMSUNG utilise des pièces neuves ou reconditionnées pour réparer un appareil, ou remplace l'appareil par un produit neuf ou reconditionné. Les pièces et appareils de rechange sont garantis pendant la partie restante de la période de garantie initiale de l'appareil, ou bien durant quatre-vingt-dix (90) jours, selon la période qui est la plus longue. Toutes les pièces et tous les produits remplacés sont la propriété de SAMSUNG et vous devez les retourner à SAMSUNG.



La présente garantie limitée couvre les vices de fabrication au niveau des pièces et de la main d'œuvre identifiés dans le cadre de l'utilisation domestique ou non-commerciale normale de l'appareil en question. Elle ne peut pas couvrir les choses suivantes : les dommages survenus lors de l'expédition, la livraison, l'installation et les utilisation prévues de cet appareil ; les dommages causés par une modification ou altération non autorisée de l'appareil ; les appareils dont les numéros de série d'origine apposés en usine ont été retirés, dégradés ou modifiés d'une quelconque façon ou encore difficilement lisibles ; les dommages esthétiques notamment rayures, piqûres, éclats et autres dommages sur la finition de l'appareil ; les dommages causés par un abus, une mauvaise utilisation, des infestations d'insectes, un accident, un incendie, une inondation ou d'autres catastrophes naturelles ou cas de force majeure ; les dommages causés par l'utilisation d'équipements, d'alimentations, de services, de pièces, de fournitures, d'accessoires, d'applications, d'installations, de réparations, de câblages externes ou connecteurs qui n'ont pas été fournis ou autorisés par SAMSUNG ; les dommages causés par un courant, une tension ou des fluctuations de courant incorrects ou par des surtensions ; les dommages causés par une utilisation et un entretien de l'appareil non conformes aux instructions ; les dommages liés à une instruction fournie à domicile concernant l'utilisation de votre appareil ; et une réparation visant à rectifier une installation n'étant pas conforme aux normes de branchements électriques et de plomberie, ou la correction des branchements électriques ou de plomberie (c.-à-d. câblage du domicile, fusibles, ou tuyaux d'arrivée d'eau). Le coût des réparations ou du remplacement dans le cadre de ces circonstances faisant l'objet d'une exclusion sera à la charge du client.

Les interventions par un technicien agréé destinées à expliquer les fonctions, la maintenance ou l'installation de l'appareil ne sont pas couvertes par la présente garantie limitée. Veuillez prendre contact avec SAMSUNG au numéro figurant ci-dessous pour obtenir de l'aide sur l'une de ces questions.

EXCLUSION DES GARANTIES IMPLICITES

LES GARANTIES IMPLICITES, Y COMPRIS LES GARANTIES IMPLICITES DE QUALITÉ MARCHANDE OU D'ADÉQUATION À UN USAGE PARTICULIER, SONT LIMITÉES À UN AN OU À LA PLUS COURTE PÉRIODE AUTORISÉE PAR LA LOI. Certains États n'autorisent pas les limitations de durée d'une garantie implicite ; il se peut donc que les limitations ou exclusions spécifiées ci-dessus ne s'appliquent pas à votre cas. La présente garantie vous octroie des droits spécifiques. Il se peut que vous en ayez d'autres ; cela varie d'un État à un autre.



GARANTIE LIMITÉE (ÉTATS-UNIS)

LIMITE DE RECOURS

VOTRE SEUL RECOURS EXCLUSIF EST UNE RÉPARATION DE L'APPAREIL, UN REMPLACEMENT DE L'APPAREIL OU UN REMBOURSEMENT DU PRIX D'ACHAT, À LA DISCRÉTION DE SAMSUNG, COMME ACCORDÉ DANS LE CADRE DE LA PRÉSENTE GARANTIE LIMITÉE. SAMSUNG NE POURRA ÊTRE TENU RESPONSABLE DES DOMMAGES PARTICULIERS, ACCESSOIRES OU IMMATÉRIELS, NOTAMMENT MAIS SANS POUR AUTANT S'Y LIMITER LES TEMPS DE TRAJET DEPUIS LE LIEU DE TRAVAIL, LES FRAIS D'HÔTEL ET/OU REPAS EN RESTAURANT, LES DÉPENSES DE RÉNOVATION, LES PERTES DE REVENUS OU DE BÉNÉFICES, L'IMPOSSIBILITÉ DE RÉALISER DES ÉCONOMIES OU AUTRES BÉNÉFICES QUELLE QUE SOIT LA THÉORIE JURIDIQUE SUR LAQUELLE LA RÉCLAMATION EST FONDÉE, ET CE MÊME SI SAMSUNG A ÉTÉ AVERTI DE LA POSSIBILITÉ DE TELS DOMMAGES. Certains États n'autorisent pas les exclusions ou limitations relatives aux dommages accessoires ou immatériels ; il se peut donc que les limitations ou exclusions spécifiées ci-dessus ne s'appliquent pas à votre cas. La présente garantie vous octroie des droits spécifiques. Il se peut que vous en ayez d'autres ; cela varie d'un État à un autre.

SAMSUNG ne garantit pas que l'appareil sera exempt de tout problème ou qu'il fonctionnera sans interruption. Aucune garantie, donnée par toute autre personne, entreprise ou une société quant à cet appareil, ne pourra être considérée comme un engagement pour SAMSUNG.

Pour bénéficier du service d'assistance couvert par votre garantie, contactez SAMSUNG à l'adresse suivante :

Samsung Electronics America, Inc.

85 Challenger Road

Ridgefield Park, NJ 07660

1-800-SAMSUNG (726-7864)

www.samsung.com/us/support



Garantie (CANADA)

SÈCHE-LINGE SAMSUNG

GARANTIE LIMITÉE À L'ACHETEUR INITIAL

Ce produit de la marque SAMSUNG, fourni, distribué par SAMSUNG ELECTRONICS CANADA, INC. (SAMSUNG) et livré neuf, dans son emballage d'origine à l'acheteur initial, est garanti par SAMSUNG contre tout défaut de fabrication relatif aux matériaux et à la qualité d'exécution, pour une période de garantie limitée de :

- Un (1) an (pièces et main d'œuvre)

Cette limite de garantie s'applique à compter de la date d'acquisition et couvre uniquement les produits achetés et utilisés au Canada.

Pour bénéficier de réparations dans le cadre de la présente garantie, l'acheteur doit contacter la société SAMSUNG afin qu'elle détermine l'origine du problème et une procédure de réparation.

Les services de garantie peuvent être pris en charge uniquement par un centre de service agréé SAMSUNG.

Lors de la remise d'un produit défectueux à SAMSUNG ou à un centre de service agréé SAMSUNG, l'acheteur est tenu de présenter le coupon d'achat d'origine à la demande des intéressés à titre de preuve d'achat.

SAMSUNG assurera un service de réparation gratuit à domicile pendant la période de garantie sujet à la disponibilité au Canada.

Le service à domicile n'est pas disponible pour toutes les zones.

Pour bénéficier du service à domicile, l'appareil doit être situé dans un emplacement accessible à notre personnel.

Si ce service n'est pas disponible, SAMSUNG peut choisir de prendre à sa charge le transport aller/retour du produit vers un centre de service agréé.

La société SAMSUNG prendra en charge, à sa convenance, la réparation, le remplacement ou le remboursement du produit tel que stipulé dans les présentes conditions et procédera au remplacement ou au reconditionnement des pièces ou des produits si ces derniers s'avèrent défectueux dans la limite de la période de garantie mentionnée précédemment.

Toutes les pièces et tous les produits remplacés deviennent la propriété de SAMSUNG et doivent être retournés à SAMSUNG.

La période de garantie qui s'applique aux pièces et produits remplacés est la période restante de la garantie initiale ou une période de quatre-vingt-dix (90) jours ; dans tous les cas, la période la plus longue des deux périodes susmentionnées s'applique.



Garantie (CANADA)

La garantie limitée couvre les vices de fabrication relatifs aux matériaux et à la qualité d'exécution survenus dans le cadre d'une utilisation normale et non commerciale du produit et ne s'applique pas aux causes suivantes, comprenant, mais ne se limitant pas à : tout dommage survenant au cours de l'expédition, de la livraison et de l'installation ; toute utilisation de l'appareil contraire au but auquel il était destiné ; tout numéro de produit ou de série effacé ; tout dommage du revêtement extérieur ou de l'aspect du produit ; tout dommage causé par un accident, une utilisation non conforme, une négligence, un incendie ou une inondation, la foudre ou une autre catastrophe naturelle ; toute utilisation de produits, d'équipements, de systèmes, d'appareils, de services, de pièces, de fournitures, d'accessoires, d'applications, d'installations, de réparations, de câblages externes ou de connecteurs non fournis ou autorisés par SAMSUNG et susceptibles d'endommager ledit appareil ou de nuire à son fonctionnement ; toute surtension, fluctuation ou tension de ligne électrique incorrecte ; tout réglage effectué par l'acheteur et tout non-respect des consignes d'utilisation, d'entretien et de respect de l'environnement couvertes ou prescrites dans le présent carnet d'entretien ; tout démontage ou toute réinstallation de l'appareil ; tout problème résultant d'une prolifération d'insectes nuisibles.

Cette garantie limitée ne couvre pas les problèmes résultant d'un courant, d'une tension ou d'une alimentation électrique incorrects, ainsi que d'ampoules électriques, de fusibles ou de câblage inappropriés. Elle ne couvre pas non plus le coût des appels au service d'assistance pour obtenir des instructions ou la réparation des erreurs d'installation.

SAMSUNG ne garantit pas que l'appareil sera exempt de tout problème ou qu'il fonctionnera sans interruption.

SAUF EXCEPTION MENTIONNÉE DANS LE PRÉSENT DOCUMENT, SAMSUNG NE FOURNIT AUCUNE GARANTIE EXPRESSE OU IMPLICITE QUANT À CET APPAREIL, Y COMPRIS, MAIS SANS S'Y LIMITER, LES GARANTIES IMPLICITES DE QUALITÉ MARCHANDE, DE CONTREFAÇON OU D'APTITUDE À UN USAGE PARTICULIER.

AUCUNE GARANTIE, QU'ELLE SOIT DONNÉE PAR UN TIERS, UNE ENTREPRISE OU UNE PERSONNE MORALE, NE POURRA ÊTRE CONSIDÉRÉE COMME UN ENGAGEMENT VIS-À-VIS DE SAMSUNG.

SAMSUNG NE SERA AUCUNEMENT RESPONSABLE EN CAS DE PERTE DE BÉNÉFICES, DE MANQUE À GAGNER, D'INCAPACITÉ À RÉALISER DES ÉCONOMIES OU TOUT AUTRE AVANTAGE FINANCIER OU D'AUTRES DOMMAGES SPÉCIAUX, ACCESSOIRES OU INDIRECTS RÉSULTANT DE L'UTILISATION OU D'UNE MAUVAISE UTILISATION DE CET APPAREIL OU D'UNE INCAPACITÉ À UTILISER CET APPAREIL, QUELLE QUE SOIT LA BASE JURIDIQUE INVOQUÉE POUR JUSTIFIER L'ASSERTION ET MÊME SI SAMSUNG A ÉTÉ AVISÉ DE L'ÉVENTUALITÉ DE TELS DOMMAGES.

LES INDEMNITÉS FINANCIÈRES EXIGÉES AUPRÈS DE SAMSUNG NE POURRONT EN AUCUN CAS EXCÉDER LE PRIX D'ACHAT DU PRODUIT VENDU PAR SAMSUNG ET À L'ORIGINE DES DOMMAGES INVOQUÉS.

SANS LIMITATION AUX DISPOSITIONS SUSDITES, L'ACHETEUR ASSUME TOUTS LES RISQUES ET TOUTES LES RESPONSABILITÉS EN CAS DE PERTE, DE DOMMAGES OU DE BLESSURES ÉVENTUELLES INFLIGÉS À L'ACHETEUR ET AUX BIENS DE CELUI-CI ET À TOUTE AUTRE PERSONNE ET AUX BIENS DE CELLE-CI RÉSULTANT DE L'UTILISATION OU DE LA MAUVAISE UTILISATION DE L'APPAREIL OU DE L'INCAPACITÉ À L'UTILISER.

CETTE GARANTIE LIMITÉE N'EST VALABLE POUR PERSONNE D'AUTRE QUE L'ACHETEUR INITIAL DU PRODUIT, N'EST PAS TRANSFÉRABLE ET ÉNONCE VOTRE RECOURS EXCLUSIF.



Certaines provinces n'autorisent pas de limitations quant à la durée des garanties implicites ni l'exclusion ou la limitation de dommages accessoires ou indirects ; il se peut par conséquent que les limitations et exclusions énoncées ci-dessus ne s'appliquent pas à votre cas.

La présente garantie vous octroie des droits spécifiques, ainsi que d'autres variant d'une province à une autre.

Pour bénéficier d'un service d'assistance couvert par votre garantie, contactez SAMSUNG à l'adresse suivante :

Samsung Electronics Canada Inc.

2050 Derry Road West,

Mississauga, Ontario L5N 0B9 Canada

1-800-SAMSUNG (726-7864)

www.samsung.com/ca/support (English)

www.samsung.com/ca_fr/support (French)

Les visites des techniciens de maintenance destinées à expliquer les fonctions, la maintenance ou l'installation ne sont pas couvertes par la garantie.

Veuillez prendre contact avec votre centre d'appels Samsung, au numéro indiqué ci-dessus, pour obtenir de l'aide sur l'un de ces problèmes.



Scan the QR code* or visit
www.samsung.com/spsn
to view our helpful
How-to Videos and Live Shows

*Requires reader to be installed on your smartphone

Scan this with your smartphone



Ce produit répond aux exigences ENERGY STAR avec le réglage d'usine par défaut « **Normal** ».

Si vous modifiez le réglage d'usine par défaut ou activez d'autres fonctions, la consommation d'énergie risque d'augmenter et de dépasser les limites permettant de répondre aux exigences ENERGY STAR.

QUESTIONS OU COMMENTAIRES ?

PAYS	APPELEZ LE	OU RENDEZ-VOUS SUR LE SITE
U.S.A	1-800-SAMSUNG (726-7864)	www.samsung.com/us/support
CANADA	1-800-SAMSUNG(726-7864)	www.samsung.com/ca/support (English) www.samsung.com/ca_fr/support (French)



Secadora

Manual del usuario

DV25B6900H*

SAMSUNG



Contenido

Información sobre seguridad	4
Lo que necesita saber sobre las instrucciones de seguridad	4
Símbolos de seguridad importantes	4
PROPOSICIÓN 65 DE CALIFORNIA	6
Precauciones de seguridad importantes	7
Advertencias	8
Precauciones	8
Normas regulatorias	10
Aviso para FCC	10
Aviso IC	11
Anuncio de código abierto	12
Requisitos de instalación	13
Requisitos de instalación importantes	13
Consideraciones acerca de la ubicación	13
Requisitos eléctricos	17
Instalación	19
Componentes	19
Instalación paso a paso	21
Cambio de dirección del conducto de drenaje (opcional)	26
Prueba de bloqueo de la ventilación	30
Guía de los conductos de drenaje	32
Cambiar la posición de la puerta	32
Antes de comenzar	37
Configuración inicial	37
Clasificación y carga	38
Requisito de funcionamiento	38



Funcionamiento	39
Panel de control	39
Operar un ciclo	41
Descripción del ciclo	42
Opciones	43
Ajustes	46
Características especiales	48
Tabla de ciclos	50
Guía de secado	52
Mantenimiento	53
Limpeza	53
Solución de problemas	55
Verificaciones	55
Códigos de información	57
Especificaciones	58
Tabla de indicaciones sobre telas	58
Protección del medio ambiente	59
Hoja de especificaciones	59



Información sobre seguridad

Felicitaciones por la compra de la nueva secadora Samsung. Este manual contiene información importante acerca de la instalación, el uso y el cuidado del electrodoméstico. Lea detenidamente estas instrucciones a fin de aprovechar al máximo los múltiples beneficios y funciones de la secadora.

Lo que necesita saber sobre las instrucciones de seguridad

Lea este manual detenidamente para aprender a utilizar con seguridad y eficacia todas las características y funciones de su nuevo electrodoméstico. Conserve el manual en un lugar seguro cerca del electrodoméstico para consultas futuras. Utilice este electrodoméstico solo para el propósito para el que fue destinado como se describe en este manual.

Las advertencias y las instrucciones de seguridad importantes de este manual no cubren todas las posibles condiciones y situaciones que pueden ocurrir. Es su responsabilidad actuar con sentido común, precaución y cuidado cuando instale, realice el mantenimiento y ponga en funcionamiento la secadora.

Puesto que las siguientes instrucciones de funcionamiento sirven para varios modelos, las características de su secadora pueden diferir ligeramente de las que se describen en este manual y es posible que no todos los signos de advertencia sean aplicables. Si tiene alguna consulta o duda, comuníquese con el centro de servicio más cercano o busque ayuda e información en línea en www.samsung.com.

Símbolos de seguridad importantes

Los iconos y las señales incluidas en este manual del usuario significan lo siguiente:

ADVERTENCIA

Peligros o prácticas inseguras que podrían causar lesiones físicas graves o la muerte y/o daños materiales.

PRECAUCIÓN

Peligros o prácticas inseguras que podrían causar lesiones físicas y/o daños materiales.

NOTA

Indica que existe el riesgo de lesiones físicas o daños materiales.

Estas señales de advertencia están aquí para evitar que usted u otras personas sufran daños.

Siga las instrucciones completamente.

Después de leer este manual, guárdelo en un lugar seguro para consultas futuras.

Lea todas las instrucciones antes de usar el electrodoméstico.

Al igual que con cualquier equipo que usa electricidad y piezas movibles, existen riesgos potenciales. Para usar este electrodoméstico en forma segura, familiarícese con su funcionamiento y manéjelo con cuidado cuando lo use.

CONSERVE ESTAS INSTRUCCIONES



ADVERTENCIA - Riesgo de incendio

- La instalación de la secadora de ropa debe estar a cargo de un instalador calificado.
- Instale la secadora de ropa según las instrucciones del fabricante y los códigos locales.
- No instale una secadora de ropa con materiales para ventilación de plástico flexible. Si se instala un conducto de metal flexible (tipo lámina metálica), debe ser de un tipo específico identificado por el fabricante del electrodoméstico como adecuado para utilizar con secadoras de ropa. Los materiales para ventilación flexibles suelen hundirse, aplastarse fácilmente y atrapar pelusa. Estas condiciones obstruirán el flujo de aire de la secadora de ropa y aumentarán el riesgo de incendio.
- Para reducir el riesgo de lesiones graves o muerte, siga todas las instrucciones de instalación.
- Guarde estas instrucciones.

ADVERTENCIA - Peligro de incendio o explosión

- Si no cumple rigurosamente con las advertencias de seguridad podrían producirse daños materiales, lesiones graves o incluso la muerte.
- No almacene ni utilice gasolina u otros vapores o líquidos inflamables cerca de este o cualquier otro aparato eléctrico.
- La instalación y el servicio deben llevarlos a cabo un instalador o agencia de servicios cualificados.

CONSERVE ESTAS INSTRUCCIONES



Información sobre seguridad

ADVERTENCIA - Para reducir el riesgo de incendio o explosión:

- No seque prendas que hayan sido previamente limpiadas, lavadas, remojadas o salpicadas con gasolina, solventes de limpieza en seco u otras sustancias inflamables o explosivas. Emiten vapores que se pueden prender fuego o explotar. No debe colocarse en la secadora ningún material que haya estado en contacto con un solvente de limpieza o líquidos o sólidos inflamables hasta que se haya eliminado todo vestigio de tales líquidos o sólidos inflamables y sus vapores. Existen muchos artículos altamente inflamables en los hogares, tales como acetona, alcohol desnaturalizado, gasolina, kerosene, algunos limpiadores líquidos de uso doméstico, algunos quitamanchas, aguarrás, ceras y removedores de cera.
- No se deben secar artículos que contengan goma espuma (que puede estar catalogada como espuma de látex) o materiales semejantes a la goma y con textura similar en la opción de secado con calor. Los materiales de goma espuma que reciben calor pueden, en ciertas circunstancias, encenderse en forma espontánea.

PROPOSICIÓN 65 DE CALIFORNIA

ADVERTENCIA

Cáncer y daño al sistema reproductivo: www.P65Warnings.ca.gov.

CONSERVE ESTAS INSTRUCCIONES



Precauciones de seguridad importantes

ADVERTENCIA

Para reducir el riesgo de incendio, descarga eléctrica o lesiones físicas cuando usa este electrodoméstico, siga las instrucciones de seguridad básicas que figuran a continuación:

1. Lea todas las instrucciones antes de usar este electrodoméstico.
2. No seque prendas que han sido previamente limpiadas, lavadas, remojadas o salpicadas con gasolina, solventes de limpieza en seco u otras sustancias inflamables o explosivas, ya que emiten vapores que pueden prenderse fuego o explotar.
3. No utilice la secadora para secar ropa que tenga restos de sustancias inflamables, como aceites vegetales, de cocción o de máquina, productos químicos inflamables, disolventes de pinturas, etc., o que contengan cera o productos químicos, como trapeadores y paños de limpieza. Las sustancias inflamables pueden ocasionar que la tela se prenda fuego.
4. No almacene ni utilice gasolina u otros vapores o líquidos inflamables cerca de este o cualquier otro aparato eléctrico.
5. No permita que los niños jueguen sobre el electrodoméstico ni en su interior. Se requiere de supervisión cuando el electrodoméstico es utilizado cerca de los niños.
6. Antes de descartar el electrodoméstico o de retirarlo de servicio, extraiga la puerta del compartimiento de secado.
7. No introduzca la mano en el electrodoméstico si el tambor está en movimiento.
8. No instale o guarde este electrodoméstico donde quede expuesto a factores climáticos.
9. No modifique los controles internos.
10. No repare, reemplace ni intente realizar el mantenimiento de cualquier pieza del electrodoméstico salvo que esté recomendado específicamente en las instrucciones de mantenimiento del usuario o en las instrucciones de reparación para el usuario publicadas y que, a su juicio, usted tenga la habilidad para llevarlas a cabo.
11. No use suavizante para ropa o productos para evitar la estática salvo que el fabricante del suavizante para ropa o del producto lo recomiende.
12. Limpie el filtro para pelusas antes o después de cada carga.
13. No aplique calor para secar prendas que contengan goma espuma o materiales semejantes a la goma con textura similar.
14. El personal técnico calificado debe efectuar una limpieza periódica del interior del electrodoméstico y del conducto de drenaje.
15. No coloque elementos expuestos a aceites de cocina en la secadora. Los elementos contaminados con aceites de cocina pueden contribuir a que se produzca una reacción química que ocasione que en la carga de ropa se prenda fuego. Para reducir el riesgo de incendio debido a cargas de ropa contaminada, la parte final del ciclo de la secadora se realiza sin calor (período de enfriamiento). No detenga la secadora antes de terminar el ciclo de secado, pero si lo hace, retire rápidamente las prendas y déjelas esparcidas para que se disipe el calor.
16. Este electrodoméstico debe conectarse a tierra. Consulte **"Requisitos eléctricos"** y **"Conexión a tierra"** en la sección **"Instalación"**.
17. No permita que los niños jueguen sobre el electrodoméstico ni en su interior. Se requiere de supervisión cuando el electrodoméstico es utilizado cerca de los niños.

CONSERVE ESTAS INSTRUCCIONES



Información sobre seguridad

18. No introduzca las manos bajo la secadora.
 - Esto puede provocar lesiones personales.
19. Al cerrar la puerta tenga cuidado de no atrapar los dedos de los niños.
 - Esto puede provocar lesiones personales.

Advertencias

ADVERTENCIA

- Asegúrese de que los bolsillos no contengan objetos pequeños, sólidos y de forma irregular, material extraño, etc., por ejemplo: monedas, cuchillos, alfileres, etc. Tales objetos podrían dañar la secadora.
- Bordes afilados: para reducir el riesgo de sufrir heridas, tener cuidado al limpiar las láminas del condensador o del evaporador.
- Ciertas partes eléctricas se han dejado intencionalmente desconectadas de la tierra física y pueden presentar un riesgo de choque eléctrico durante el mantenimiento. Personal de mantenimiento, no tocar estas partes mientras el aparato esté encendido: tablero de control, motor, bomba de drenaje.

Precauciones

PRECAUCIÓN

- No permita que los niños o las mascotas jueguen sobre el electrodoméstico, dentro de él o frente a él. Se requiere de supervisión cuando el electrodoméstico es utilizado cerca de niños y mascotas.
- Antes de desechar la secadora o de retirarla de servicio, quite la puerta del compartimento de secado para evitar que los niños y las mascotas queden atrapados dentro de la secadora.
- No introduzca la mano en el electrodoméstico cuando el tambor esté en movimiento.
- No instale o guarde este electrodoméstico donde quede expuesto a factores climáticos.
- No modifique los controles.
- No repare ni reemplace ni intente realizar el mantenimiento de ninguna pieza del electrodoméstico salvo que esté indicado específicamente en las instrucciones de reparación para el usuario y que comprenda y tenga la habilidad para llevar a cabo el procedimiento.
- No utilice suavizante de ropa o productos para eliminar la estática a menos que el suavizante o producto esté recomendado para uso con la secadora por el fabricante del mismo.
- Limpie el filtro para pelusas antes o después de cada carga.
- Mantenga el área alrededor de la salida del drenaje y las áreas circundantes libres de pelusa, polvo y suciedad.
- El personal técnico calificado debe efectuar una limpieza periódica del interior de la secadora y del conducto de drenaje.
- Este electrodoméstico debe conectarse a tierra correctamente. Nunca enchufe el cable de alimentación a un receptáculo que no esté conectado a tierra correctamente ni guarde conformidad con los códigos locales y nacionales. Consulte las instrucciones de instalación para obtener información sobre cómo conectar este electrodoméstico a tierra.
- No se sienta encima de la secadora.
- No seque ropa que contenga hebillas grandes, botones u otros objetos de metal pesado o sólido.
- Instale y use de acuerdo con las instrucciones del fabricante.
- No coloque prendas en la secadora que hayan sido salpicadas o remojadas con aceite vegetal o aceite de cocina. Incluso después del lavado, estas prendas pueden contener una cantidad importante de dichos aceites.

CONSERVE ESTAS INSTRUCCIONES



- El aceite residual en las prendas puede prenderse fuego en forma espontánea. La posibilidad de combustión espontánea aumenta cuando las prendas que contienen aceite vegetal o aceite de cocina son expuestas al calor. Las fuentes de calor, tales como la secadora, pueden calentar estas prendas y permitir que se produzca la oxidación del aceite a modo de reacción. La oxidación genera calor. Si dicho calor no tiene forma salir, las prendas pueden calentarse lo suficiente como para prenderse fuego. Amontonar, apilar o guardar este tipo de prendas puede impedir que el calor salga y puede generar un peligro de incendio.
- Todas las prendas limpias y sucias que contengan aceite vegetal o aceite de cocina pueden resultar peligrosas. Lavar dichas prendas en agua caliente con una dosis adicional de detergente reducirá el peligro, aunque no lo eliminará. Siempre use el ciclo Cool Down (Enfriamiento) para estas prendas a fin de reducir la temperatura. Nunca retire estas prendas cuando la secadora esté caliente ni interrumpa el ciclo de secado hasta que las prendas hayan pasado por el ciclo Cool Down (Enfriamiento). Nunca amontone o apile estas prendas cuando estén calientes.

CONSERVE ESTAS INSTRUCCIONES



Normas regulatorias

Aviso para FCC

PRECAUCIÓN

Cualquier cambio o modificación que no haya sido expresamente aprobado por la parte responsable del cumplimiento podría anular la autoridad del usuario para operar el equipo.

Este dispositivo cumple con la parte 15 del reglamento de la FCC. El funcionamiento se encuentra sujeto a las siguientes dos condiciones:

1. Este electrodoméstico no puede causar interferencia dañina, y
2. Este electrodoméstico debe aceptar la recepción de cualquier interferencia, incluidas aquellas que puedan causar un funcionamiento indeseado.

En los productos vendidos en los mercados de Estados Unidos y Canadá, solo están disponibles los canales 1–11. No es posible seleccionar otros canales.

DECLARACIÓN DE LA FCC:

Este equipo fue probado y se encontró en conformidad con los límites para un dispositivo digital de clase B, en conformidad con la parte 15 del reglamento de la FCC. Dichos límites han sido diseñados para proporcionar una protección razonable contra la interferencia dañina en una instalación residencial.

Este equipo genera, utiliza y puede irradiar energía de radiofrecuencia y, si no se instala y utiliza en conformidad con las instrucciones, puede causar interferencia perjudicial a las comunicaciones de radio. Sin embargo, no existe garantía alguna de que no habrá interferencia en una instalación determinada. Si este equipo llega a causar interferencia dañina a la recepción de señal de radio o televisión, lo que puede determinarse apagando y encendiendo el equipo, se recomienda al usuario intentar corregir la interferencia tomando una o más de las siguientes medidas:

- Reorientar o reubicar la antena receptora
- Aumentar la distancia entre el equipo y el receptor
- Conectar el equipo a un tomacorriente que esté en un circuito diferente al de la radio o el televisor.
- Consultar al distribuidor o a un técnico experimentado en radio/TV para obtener ayuda.

DECLARACIÓN DE LA FCC SOBRE LA EXPOSICIÓN A LA RADIACIÓN:

Este equipo cumple con los límites de la FCC para la exposición a la radiación establecidos para un ambiente no controlado. Este equipo debe instalarse y utilizarse con una distancia mínima de 8 pulgadas (20 cm) entre el radiador y su cuerpo. Este electrodoméstico y su/s antena/s no deben ubicarse ni utilizarse junto con ninguna otra antena o transmisor.

CONSERVE ESTAS INSTRUCCIONES



Emisor involuntario según la sección 15 de las Normas de la FCC

Tipo de producto: Secadora de ropa

Modelo: DV25B6900H*

Parte responsable: Información de contacto en EE. UU.

Samsung Electronics America, Inc.

QA Lab America

19 Chapin Rd. Building D Pine Brook NJ 07058

Teléf.: 1-973-808-6375 Fax: 1-973-808-63

Aviso IC

El término "IC" antes del número de certificación de radio significa únicamente que se han cumplido las especificaciones técnicas del Ministerio de Industria del Canadá. El funcionamiento se encuentra sujeto a las siguientes dos condiciones:

1. Este dispositivo no podrá causar interferencia, y
2. Este electrodoméstico debe aceptar cualquier interferencia, incluidas aquellas que puedan causar un funcionamiento indeseado del dispositivo.

Este aparato digital Clase B cumple con la norma canadiense ICES-003.

Cet appareil numérique de la classe B est conforme à la norme NMB-003 du Canada.

En los productos vendidos en los mercados de Estados Unidos y Canadá, solo están disponibles los canales 1–11. No es posible seleccionar otros canales.

DECLARACIÓN DE LA IC SOBRE LA EXPOSICIÓN A LA RADIACIÓN:

Este equipo cumple con los límites de exposición a la radiación RSS-102 establecidos por la IC para un entorno no controlado. Este equipo debe instalarse y utilizarse con una distancia mínima de 8 pulgadas (20 cm) entre el radiador y su cuerpo. Este electrodoméstico y su/s antena/s no deben ubicarse ni utilizarse junto con ninguna otra antena o transmisor.

CONSERVE ESTAS INSTRUCCIONES



Normas regulatorias

Anuncio de código abierto

El software incluido en este producto contiene software de código abierto. Puede obtener el correspondiente código fuente completo para un periodo de tres años a partir del último envío de este producto enviando un correo electrónico a <mailto:oss.request@samsung.com>.

Asimismo es posible obtener el correspondiente código fuente completo en un soporte físico como un CD-ROM; se le cobrará una tasa mínima.

La siguiente URL http://opensource.samsung.com/opensource/SMART_AT_051/seq/0 lleva a la página de descarga del código fuente disponible y a la información de licencia de código abierto relacionada con este producto. Esta oferta es válida para quienes reciban esta información.



NOTA

Por la presente, Samsung Electronics declara que el artefacto del tipo de equipo radioeléctrico se ajusta a lo dispuesto en la Directiva 2014/53/EU. El texto completo de la Declaración de Conformidad UE está disponible en la siguiente dirección de internet: Podrá encontrar la Declaración de Conformidad oficial en <http://www.samsung.com>, ir a Soporte, buscar Soporte de Producto e introducir el nombre del modelo.

Potencia máxima de transmisión Wi-Fi: 20 dBm a 2.412 GHz – 2.472 GHz

CONSERVE ESTAS INSTRUCCIONES





Requisitos de instalación

Lea atentamente las siguientes instrucciones antes de instalar la secadora y conserve este manual para futuras consultas.

ADVERTENCIA

Ciertas partes eléctricas se han dejado intencionalmente desconectadas de la tierra física y pueden presentar un riesgo de choque eléctrico durante el mantenimiento.

Personal de mantenimiento, no tocar estas partes mientras el aparato esté encendido: Panel de control y válvula de entrada.

Requisitos de instalación importantes

- Un tomacorriente con conexión a tierra.
- Un cable de alimentación para las secadoras eléctricas (excepto en Canadá).
- Un sistema de drenaje de metal rígido o flexible con un recubrimiento de metal resistente.

ADVERTENCIA

Retire la puerta de todos los electrodomésticos desechados para evitar que un niño se asfixie.

Consideraciones acerca de la ubicación

La secadora debe estar ubicada donde haya suficiente espacio adelante para cargarla y suficiente espacio atrás para el sistema de drenaje. Esta secadora viene preparada de fábrica con la opción de drenaje posterior. Para que drene por la parte inferior, hacia la derecha o izquierda, utilice el kit de drenaje accesorio. El kit viene acompañado de instrucciones. Asegúrese de que en el cuarto circule suficiente aire fresco. La secadora debe estar ubicada donde el aire pueda fluir sin obstrucciones.

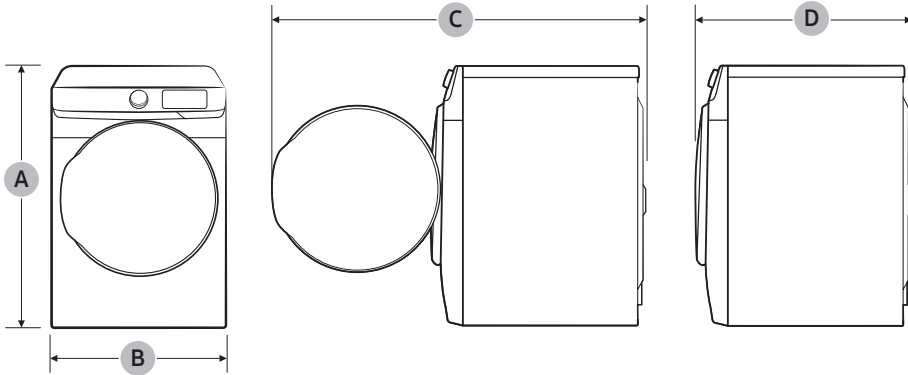
No se debe instalar o guardar la secadora en un área donde quede expuesta al agua y/o a los factores climáticos. El área de la secadora debe mantenerse libre de materiales combustibles, gasolina y otros vapores y líquidos inflamables. Una secadora produce pelusa combustible. No debe haber pelusas en el área circundante de la secadora.



Requisitos de instalación

Español

Dimensiones



Tipo		Secadora de carga frontal
Modelos		DV25B6900H*
Dimensiones (Pulgadas (mm))	A. Altura total	33.5 (850)
	B. Ancho	23.6 (600)
	C. Profundidad con la puerta abierta	43.3 (1101)
	D. Profundidad	25.8 (655)

Requisito de espacio libre

Este requisito de espacio libre solo se aplica a las secadoras.

NOTA

- Para el requisito de espacio libre para lavadoras, consulte el manual del usuario de la lavadora.
- En caso de que la lavadora y la secadora tengan distintos requisitos de espacio libre, utilice el valor mayor.

Instalaciones del electrodoméstico en un gabinete o en un hueco

ADVERTENCIA

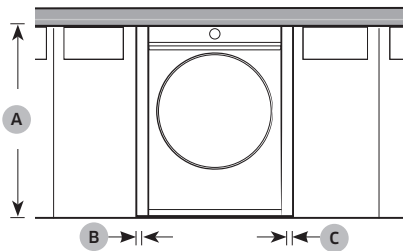
- La secadora debe tener un drenaje con salida hacia el exterior para reducir el riesgo de incendio cuando se instala en un gabinete o en un hueco.
- No se debe instalar ningún otro electrodoméstico que quemé combustible en el mismo gabinete de la secadora.
- Coloque la secadora al menos a 18 pulgadas (460 mm) sobre el suelo en una instalación en un garaje.

Espacio mínimo para un funcionamiento estable:

Laterales	Arriba	Atrás	Frente
1 pulg. (25 mm)	1 pulg. (25 mm)	2 pulg. (50 mm)	1 pulg. (25 mm)

Si se instalan una lavadora y una secadora en la misma ubicación, el frente del gabinete o hueco debe tener dos aberturas de aire sin obstrucciones que combinadas sean de al menos 72 pulg.² (465 cm²).

Instalación debajo de un mostrador



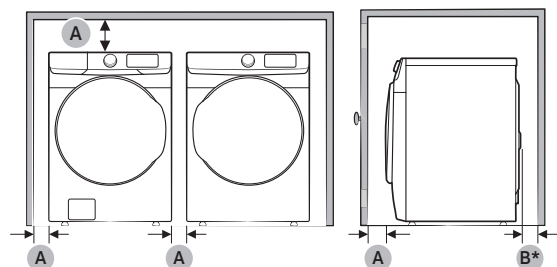
A	34.4 pulg. (875 mm)
B	1 pulg. (25 mm)
C	1 pulg. (25 mm)



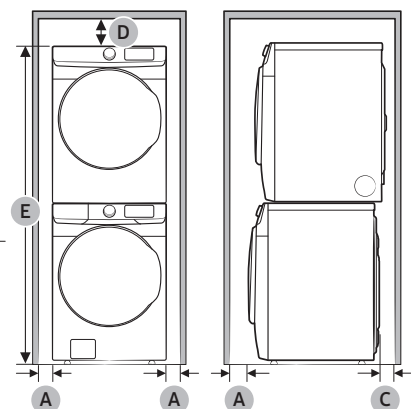
Requisitos de instalación

Este requisito de espacio libre se aplica para la instalación de la lavadora y la secadora juntas.

Instalación lado a lado



Instalación apilada



A	1 pulg. (25 mm)
B*	2 pulg. (50 mm)
C	2 pulg. (50 mm)
D	6 pulg. (152 mm)
E	67 pulg. (1702 mm)

(B*): Este requisito de espacio libre solo se aplica a las secadoras. Para el requisito de espacio libre para lavadoras, consulte el manual del usuario de la lavadora.

Se requiere un espacio mínimo **(B*)** de 3" para lograr el mejor desempeño de la secadora. En caso de que no haya suficiente espacio para la instalación del conducto, se necesita un kit de ventilación del tamaño adecuado.

NOTA

Apilamiento (SK-DH)

Muchas de las lavadoras y las secadoras de Samsung pueden apilarse para maximizar el espacio aprovechable. Puede comprar un kit de apilado opcional a su minorista de Samsung. Para conocer más detalles acerca del apilamiento y los modelos compatibles, consulte el manual del usuario incluido en el kit de apilamiento que ha comprado.



Requisitos eléctricos

El diagrama del cableado se encuentra en la placa debajo del panel de control o en el armazón posterior.

⚠ ADVERTENCIA

- La conexión inadecuada del conductor de conexión a tierra del equipo puede generar el riesgo de descarga eléctrica. Consulte a un electricista o técnico calificado si le surgen dudas acerca de si la conexión a tierra de su secadora es correcta. No modifique el enchufe provisto con la secadora; si no entra en el tomacorriente, solicite a un electricista calificado que instale el tomacorriente adecuado.
- Para evitar el riesgo innecesario de incendio, descarga eléctrica o lesiones físicas, todo el cableado y la conexión a tierra deben realizarse de conformidad con los códigos locales o, en ausencia de ellos, de conformidad con el Código Eléctrico Nacional, ANSI/NFPA Nro. 70, su última revisión (para EE.UU.) o el Código Eléctrico Canadiense CSA C22.1, sus últimas revisiones y los códigos y ordenanzas locales. Es su responsabilidad proveer el servicio eléctrico adecuado para su secadora.

Conexión a tierra

Esta secadora debe conectarse a tierra. En caso de que el electrodoméstico funcione mal o se descomponga, la conexión a tierra reducirá el riesgo de descarga eléctrica al ofrecer una vía de menor resistencia a la corriente eléctrica.

Modelos eléctricos

⚠ ADVERTENCIA

- Su secadora tiene un cable opcional con un conductor de conexión a tierra del equipo y un enchufe de conexión a tierra. El cable se vende por separado.
- El enchufe debe conectarse a un tomacorriente adecuado que esté correctamente instalado y conectado a tierra de conformidad con todos los códigos y ordenanzas locales.
- No modifique el enchufe provisto con la secadora; si no entra en el tomacorriente, solicite a un electricista calificado que instale el tomacorriente adecuado.
- Si no se utiliza un cable de alimentación y la secadora eléctrica debe estar permanentemente conectada, se la debe conectar a un sistema de cableado de metal con conexión a tierra permanente, o se debe conectar un conductor con conexión a tierra del equipo a los conductores del circuito y a la terminal con conexión a tierra del equipo o al cable de la secadora.

Conexiones eléctricas

Antes de poner el electrodoméstico en funcionamiento o realizar pruebas, siga las instrucciones de conexión a tierra de la sección "**Conexión a tierra**". Se recomienda que se destine un circuito derivado individual (o separado) sólo para la secadora.

No utilice un cable prolongador.

Requisitos de instalación

Modelos eléctricos – Sólo EE.UU.

La mayor parte de las secadoras estadounidenses requieren un servicio eléctrico aprobado de CA de 120 / 240 voltios, 60 Hz. Algunas requieren un servicio eléctrico aprobado de 120 / 208 voltios, 60 Hz. Los requisitos del servicio eléctrico pueden encontrarse en la etiqueta con información ubicada detrás de la puerta. Se requiere un fusible o interruptor de 30 A a ambos lados del conducto.

- Si se utiliza un cable de alimentación, el cable debe enchufarse a un tomacorriente de 30 A.
- No se provee el cable de alimentación con los modelos eléctricos de secadoras estadounidenses. El cable se vende por separado.

Riesgo de descarga eléctrica

ADVERTENCIA

- Si lo permiten los códigos locales, se puede conectar el suministro eléctrico de la secadora por medio de un nuevo kit de cable de alimentación eléctrica, rotulado para que se lo utilice con la secadora, es decir que cuente con certificación U.L. y categorizado en un mínimo de 120/240 voltios, 30 amperes con tres conductores de cobre Nro. 10 que finalicen en terminales de bucle cerrado, pernos de pala de tipo abierto con extremos rebatidos o con conductores de estaño.
- No vuelva a utilizar un cable de alimentación eléctrica de una secadora vieja. El cable de alimentación eléctrica debe asegurarse en el gabinete de la secadora con una protección contra los tirones adecuada con certificación UL.
- La conexión a tierra a través del conductor neutro está prohibida para (1) instalaciones nuevas con circuito derivado, (2) casas rodantes, (3) vehículos de recreo y (4) áreas en las que los códigos locales prohíban la conexión a tierra a través de un conductor neutro. (Utilice un enchufe de 4 pines para un tomacorriente de 4 ranuras, tipo NEMA 14-30R.)

Solo Canadá

Se requiere un servicio eléctrico aprobado de CA de 120/240 voltios, 60 Hz, equipado con un fusible o interruptor de 30 A a ambos lados del conducto.

NOTA

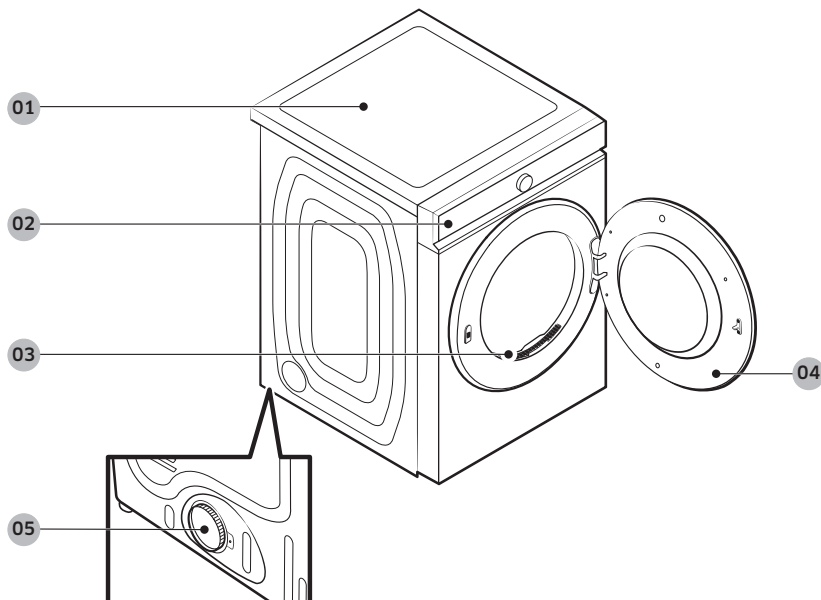
Todos los modelos canadienses se envían con el cable de alimentación adjunto. El cable de alimentación debe conectarse a un tomacorriente de 30 A. En Canadá, puede convertir una secadora a 120/208 voltios.

Instalación

La instalación de la secadora debe estar a cargo de un técnico calificado. El instalador será responsable de conectar la secadora a la fuente de alimentación principal y a la vez de cumplir con las normas de seguridad correspondientes de su zona.

Componentes

Asegúrese de que todos los componentes estén incluidos en el paquete. Si tiene algún problema con la secadora o las piezas, comuníquese con un centro de atención al cliente de Samsung o con el vendedor.



01 Tapa

02 Panel de control

03 Filtro de pelusa

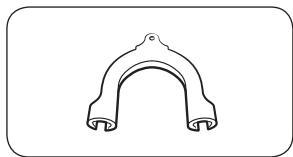
04 Puerta

05 Conducto de drenaje

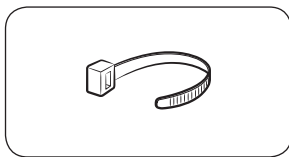


Instalación

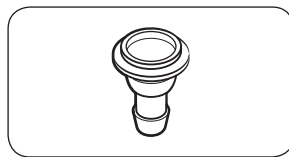
Accesorios (suministrados)



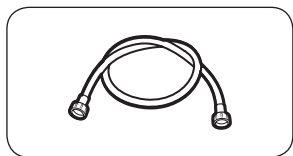
Guía de la manguera



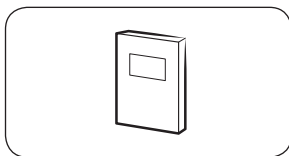
Sujeta cables



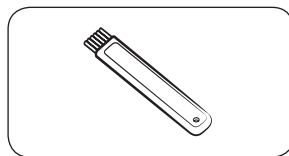
Conector de la manguera



Manguera de drenaje larga
(6.5 ft/2 m)

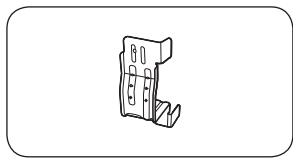


Manual del usuario



Cepillo para limpieza

Accesorios (Solo para Canadá)



Abrazadera del kit apilamiento
(SK-DH)

NOTA

- El kit de apilamiento permite apilar la secadora encima de la lavadora. Tenga en cuenta que el kit de apilamiento solo se puede utilizar con lavadoras y secadoras Samsung. Para adquirir una abrazadera de kit apilamiento, póngase en contacto con el centro de servicio de Samsung o con el distribuidor local. El kit de apilamiento varía en función del modelo de lavadora.
- Para ver instrucciones para apilar la secadora, consulte el manual de instalación incluido en el kit de apilamiento.
- Para obtener información acerca de la disponibilidad de un modelo concreto de kit de apilamiento, consulte el manual de instalación incluido en el kit de apilamiento.



Instalación paso a paso

Asegúrese de que un técnico calificado instale la secadora. A continuación aparecen unas instrucciones paso a paso de la instalación.

- No retire la película protectora de la puerta antes de finalizar la instalación del producto. Si retira la película protectora antes de finalizar la instalación, la puerta puede rayarse o dañarse durante la instalación.
- Asegúrese de que el lugar de instalación cuente con espacio suficiente para abrir la puerta de la secadora por completo.

PASO 1 Instale el sistema de drenaje

1. Seleccione un lugar y coloque allí la secadora. Para facilitar el acceso, le recomendamos que instale la secadora en la misma ubicación que la lavadora.
2. Para modificar la dirección de la puerta, consulte “**Cambiar la posición de la puerta**” en la página 32.
3. Instale el sistema de drenaje como se indica en la sección “**Guía de los conductos de drenaje**”.

PRECAUCIÓN

Antes de instalar la secadora, quite el empaque del conducto.

NOTA

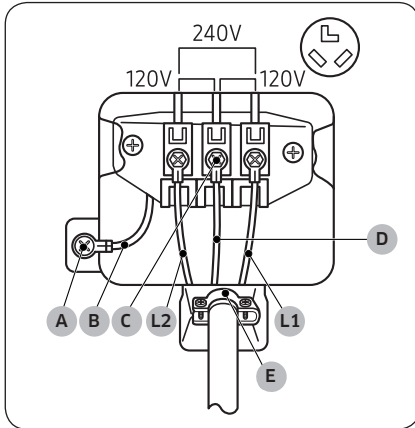
- Para mover la secadora con facilidad, coloque dos de las protecciones de cartón del empaque en el piso. Incline la secadora hacia uno de los laterales, de modo tal que quede apoyada sobre ambas protecciones. Empuje la secadora hasta que se encuentre cerca de su ubicación final y colóquela en posición vertical.
- Asegúrese de que haya espacio suficiente alrededor de la secadora para facilitar la instalación de conductos y el cableado.

PASO 2 Conecte el cableado eléctrico (para los modelos eléctricos)

Antes de conectar el cableado eléctrico, asegúrese de haber leído la sección “**Requisitos eléctricos**” en la página 17.

Instalación

Sistema de 3 cables



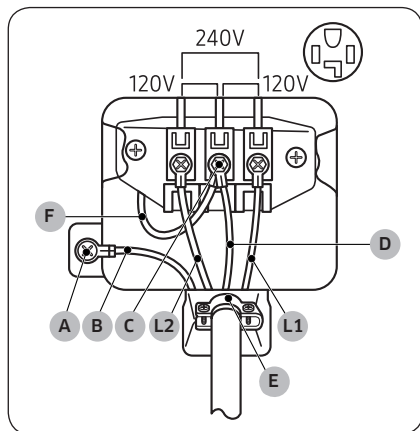
- A. Conector a tierra externo
- B. Cable a tierra neutro (blanco)
- C. Tornillo central de color plateado del bloque de terminales
- D. Cable neutro (cable blanco o central)
- E. Protección contra los tirones con certificación UL de $\frac{3}{4}$ " (1.9 cm)

1. Afloje o retire los tornillos del bloque central de terminales.
2. Conecte el cable neutro (cable blanco o central) del cable de alimentación a la terminal de tornillo central de color plateado del bloque de terminales. Ajuste los tornillos.
3. Conecte los demás cables a los tornillos externos del bloque de terminales. Ajuste los tornillos.
4. Ajuste los tornillos de alivio de tensión.
5. Inserte la cubierta del bloque de terminales en el panel trasero de la secadora. Luego, asegure la cubierta con un tornillo de sujeción.

⚠ PRECAUCIÓN

- Para realizar la conversión del sistema de 4 cables a 3 cables, conecte la cinta de conexión a tierra al soporte del bloque de terminales para conectar a tierra el armazón de la secadora al conductor neutro.
- Se recomienda utilizar terminales de tipo anillo. Si utiliza terminales de correa, asegúrese de que estén ajustados.
- Conecte el cable de alimentación y verifique el voltaje de L1/L2/D (N). Si el voltaje es bajo, es posible que el calentador sea deficiente. De ser necesario, consulte la sección "**Requisitos eléctricos**" en la página 17.

Sistema de 4 cables



- A. Conector a tierra externo
- B. Cable a tierra neutro (blanco)
- C. Tornillo central de color plateado del bloque de terminales
- D. Cable neutro (cable blanco o central)
- E. Protección contra los tirones con certificación UL de $\frac{3}{4}$ " (1.9 cm)
- F. Cable neutro (cable blanco o central)

⚠ PRECAUCIÓN

Conecte el cable de alimentación y verifique el voltaje de L1/L2/D (N). Si el voltaje es bajo, es posible que el calentador sea deficiente. De ser necesario, consulte la sección "Requisitos eléctricos" en la página 17.

⚠ ADVERTENCIA

- Todos los modelos estadounidenses están fabricados para una conexión de sistemas de 3 cables. El armazón de la secadora está conectado a tierra al conductor neutro del bloque de terminales. Se requiere una conexión de sistemas de 4 cables para las construcciones nuevas o remodeladas, las casas rodantes o si los códigos locales no permiten la conexión a tierra a través del neutro. Si utiliza un sistema de 4 cables, no puede conectar a tierra el armazón de la secadora al conductor neutro del bloque de terminales.
- Retire la tapa del bloque de terminales. Inserte el cable de alimentación con un dispositivo de alivio de tensión con certificación UL a través del orificio provisto en el gabinete cerca del bloque de terminales.
- Se debe utilizar un dispositivo de alivio de tensión. No afloje las tuercas ya instaladas en el bloque de terminales. Asegúrese de que estén ajustadas. Utilice un tomacorriente para huecos profundos de $\frac{3}{8}$ " (1 cm).
- Desde el 1 de enero de 1996, el Código Eléctrico Nacional requiere que el cableado nuevo (que no exista) utilice una conexión de 4 cables a esta secadora.

1. Retire el tornillo del conector externo a tierra y conecte el cable de conexión a tierra (verde o sin cubierta) del cable de alimentación al tornillo.

⚠ PRECAUCIÓN

- Para conectar el cable de conexión a tierra a la posición neutra sin atravesar el contacto A (conexión a tierra del gabinete), comuníquese con un técnico. No se trata de una operación que pueda realizar el usuario.
- Se recomienda utilizar terminales de tipo anillo. Si utiliza terminales de correa, asegúrese de que estén ajustados.

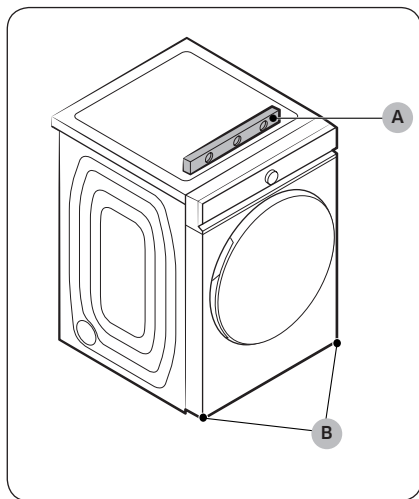
2. Afloje o retire los tornillos del bloque central de terminales.
3. Conecte el cable neutro (cable blanco o central) y el cable de conexión a tierra (blanco) al tornillo central del bloque de terminales. Ajuste el tornillo.
4. Conecte los demás cables a los tornillos externos del bloque de terminales. Ajuste los tornillos.
5. Ajuste los tornillos de alivio de tensión.
6. Inserte la lengüeta de la cubierta del bloque de terminales en la ranura trasera de la secadora. Asegure la cubierta con un tornillo de sujeción.



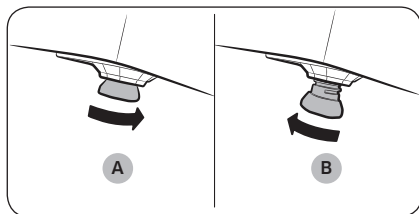
Instalación

PASO 3 Nivele la secadora

Para garantizar un desempeño óptimo, la secadora debe estar nivelada.



Con un **nivel (A)**, verifique si la secadora está nivelada de lado a lado y de adelante hacia atrás. Si la lavadora no está nivelada, gire la **pata niveladora (B)** hacia la derecha para bajar la lavadora y hacia la izquierda para elevarla.



NOTA

- Para colocar la secadora a la misma altura que la lavadora, **retraiga (A)** completamente las patas niveladoras girándolas en sentido contrario al de las agujas del reloj, luego **afloje (B)** las patas girándolas en el sentido de las agujas del reloj. Una vez que la secadora está a la misma altura que la lavadora, siga las instrucciones precedentes para nivelar la secadora.
- Ajuste las patas niveladoras sólo lo necesario para nivelar la secadora. Extender las patas niveladoras más de lo necesario puede hacer que la secadora vibre.



PASO 4 Verificación final

Una vez finalizada la instalación, confirme que:

- La secadora está enchufada a un tomacorriente y está conectada a tierra correctamente.
- Los conductos de drenaje están conectados y se colocó cinta a las uniones.
- Usted usó conducto rígido o flexible con un recubrimiento de metal resistente, no conducto flexible de plástico.
- La secadora está nivelada y apoyada firmemente sobre el piso.
- La secadora se pone en funcionamiento, funciona, calienta y se apaga correctamente.

PRECAUCIÓN

Es posible que al principio el quemador no se encienda debido a la presencia de aire en el conducto de gas. Permitir que la secadora funcione con la opción de calor purgará el conducto.

Guía de los conductos de drenaje

Conductos

1. Asegúrese de que la secadora esté instalada correctamente para que drene fácilmente.
2. Utilice conductos de metal rígido, de 4 pulgadas. Coloque cinta en todas las uniones, incluso en la conexión de la secadora.
Nunca use tornillos que atrapen pelusa.
3. Para facilitar el drenaje, mantenga los conductos tan rectos como sea posible.

Limpieza

Limpie los conductos viejos antes de instalar la secadora y asegúrese de que la ventilación se abra y se cierre sin inconvenientes. Le recomendamos que limpie el sistema de drenaje anualmente o en forma regular.

ADVERTENCIA

- A fin de evitar incendios, no use ningún tipo de conducto plástico, con un recubrimiento delgado o de un material que no sea el metal.
- No use un mal sistema de drenaje dado que demora el desempeño de la secadora.
- No use conductos excesivamente largos con muchos codos.
- No use conductos o tubos de ventilación aplastados u obstruidos.



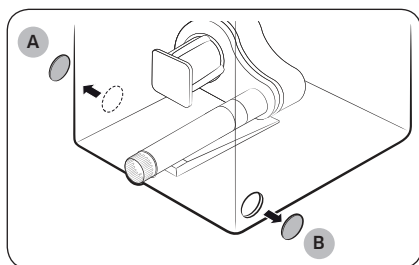
Instalación

Cambio de dirección del conducto de drenaje (opcional)

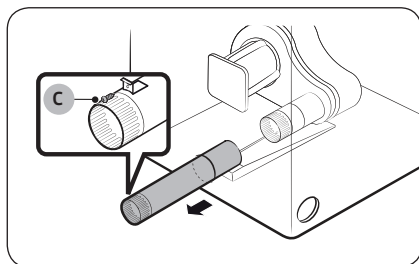
⚠ ADVERTENCIA

Antes de realizar esta instalación de drenaje, desconecte la secadora del suministro eléctrico. Use guantes para protegerse las manos y los brazos de los bordes afilados cuando trabaje dentro del gabinete.

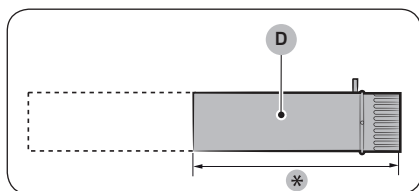
Ventilación lateral



1. Retire la placa del lado **derecho (A)** o **izquierdo (B)** según corresponda.



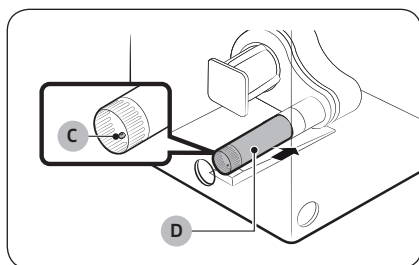
2. Separe el conducto de la secadora y luego retire el **tornillo (C)** del conducto. Reserve el **tornillo (C)**. Lo necesitará más tarde.



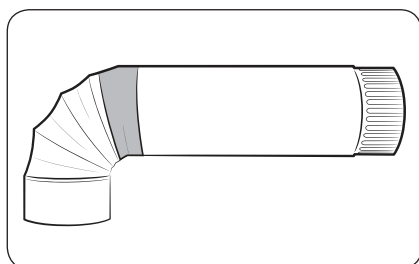
3. Corte el conducto como se muestra y conserve la **parte cortada (D)**.

* : 4.9" (125 mm)

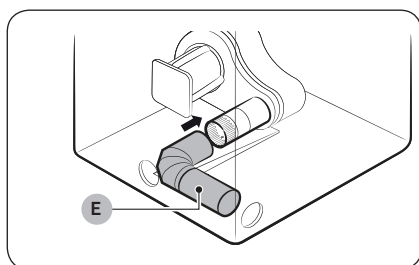




4. Vuelva a conectar la **parte cortada del conducto (D)** y luego fíjela a la rampa de la base del electrodoméstico con el **tornillo (C)** que reservó en el Paso 2.



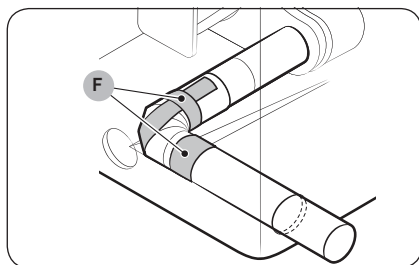
5. Conecte un conducto a un codo y luego cubra la unión con cinta para conductos.



6. Inserte el **conducto con el codo (E)** a través de la abertura trasera y conéctelo al conducto interno.

⚠ PRECAUCIÓN

Los cables de la secadora pueden interferir levemente con el conducto. Tenga cuidado de no arrastrar o dañar los cables eléctricos internos de la secadora cuando inserte el conducto.



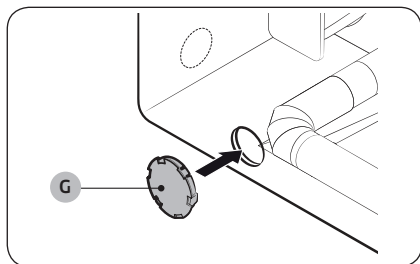
7. Aplique **cinta para conductos (F)** en todas las uniones como se muestra.

⚠ PRECAUCIÓN

Todas las uniones deben asegurarse con cinta; de lo contrario, podrían separarse y ocasionar un peligro para la seguridad.



Instalación

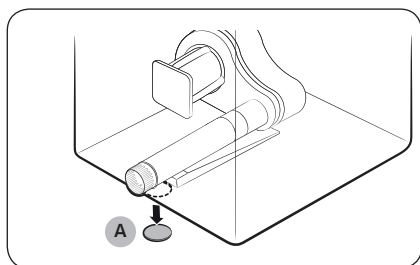


8. Cubra la abertura trasera con una **tapa (G)**.

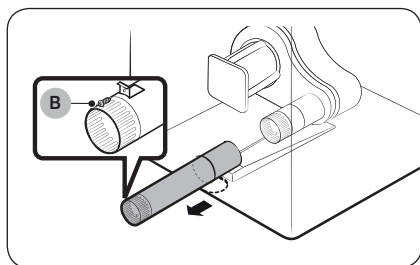
⚠ ADVERTENCIA

Nunca deje la abertura trasera descubierta. Debe cubrirse con una tapa.

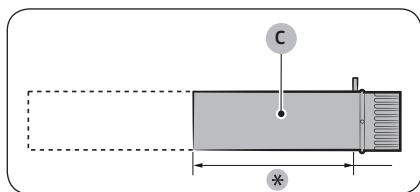
Ventilación inferior



1. Retire la **placa inferior (A)**.



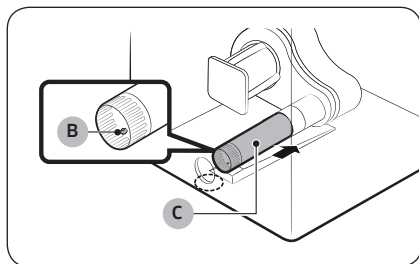
2. Separe el conducto de la secadora y luego retire el **tornillo (B)** del conducto. Reserve el **tornillo (B)**. Lo necesitará más tarde.



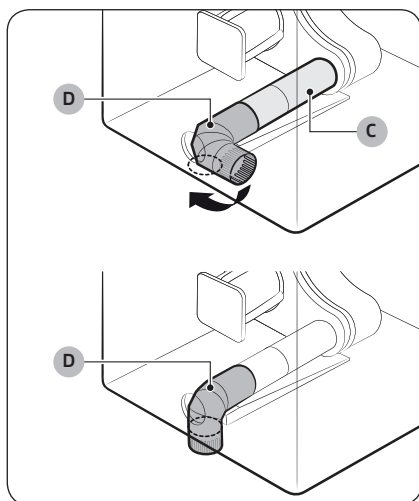
3. Corte el conducto como se muestra y conserve la **parte cortada del conducto (C)**.

* : 4.9" (125 mm)





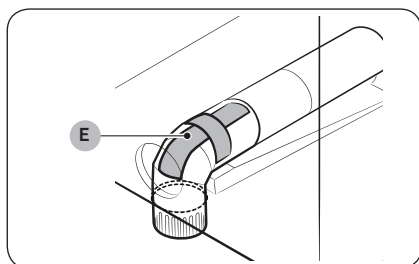
4. Vuelva a conectar la **parte cortada del conducto (C)** y luego fíjela a la rampa de la base del electrodoméstico con el **tornillo (B)** que reservó en el Paso 2.



5. Inserte el **codo (D)** a través de la abertura trasera y conéctelo al **conducto (C)**.
6. Rote el **codo (D)** a través de la abertura inferior.

⚠ PRECAUCIÓN

Tenga cuidado de no arrastrar o dañar los cables eléctricos internos de la secadora cuando inserte el conducto.



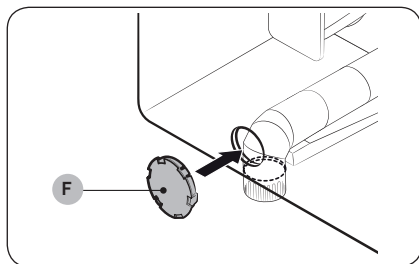
7. Aplique **cinta para conductos (E)** en todas las uniones como se muestra.

⚠ PRECAUCIÓN

Todas las uniones deben asegurarse con cinta; de lo contrario, podrían separarse y ocasionar un peligro para la seguridad.



Instalación



8. Cubra la abertura trasera **con una tapa (F)**.

⚠ ADVERTENCIA

Nunca deje la abertura trasera descubierta. Debe cubrirse con una tapa.


Prueba de bloqueo de la ventilación

Una vez instalada la secadora, inicie la prueba de bloqueo de la ventilación para verificar si el sistema de conductos está instalado correctamente. La prueba de bloqueo de la ventilación detecta automáticamente el estado de los conductos e informa de cualquier bloqueo o problema. Una instalación correcta de los conductos puede reducir el tiempo de secado y ahorrar energía.

📖 NOTA

La prueba de bloqueo de la ventilación debe realizarse cuando la secadora está fría. Si la secadora se calienta luego de la verificación de la instalación, ejecute el ciclo **Temp. amb.** durante algunos minutos para reducir su temperatura interna.

Ejecución de la prueba de bloqueo de la ventilación


1. Asegúrese de que el tambor esté vacío y luego cierre la puerta. (Si hay ropa u otros productos en el tambor, los resultados de la prueba no serán precisos.)
2. Pulse  para encender la secadora, luego mantenga pulsado el botón **Options (Opciones)** simultáneamente durante 3 segundos.
3. Gire la **perilla de navegación** para seleccionar **Test de bloq. Ventila** y, luego, pulse **OK (ACEPTAR)**. Test de bloq. Ventila se inicia de inmediato.
 - La prueba dura aproximadamente 2 minutos y se muestra "**Testing... (Revisando...)**" durante la ejecución.

⚠ PRECAUCIÓN

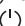
No abra la puerta durante la prueba.

📖 NOTA

Si inició otros procedimientos antes de ejecutar Test de bloq. Ventila, la secadora no accede al modo Test de bloq. Ventila.

4. Luego de 2 minutos, cuando la prueba se ha completado, se muestran los resultados y la secadora emite una señal. Si el estado del sistema de conductos es normal, se acciona una alarma con el mensaje "**Sin reporte de problemas**". Si el sistema de conductos no puede drenarse correctamente, aparece el código de verificación y la secadora emite una señal de alarma. Para obtener una descripción del código, consulte la sección "**Códigos de verificación de la instalación**" en la página 31. Si hay otros problemas, aparece un código de información en la pantalla. Para obtener una descripción del código, consulte la sección "**Códigos de información**" en la página 57.
 - Para detener o cancelar Test de bloq. Ventila, pulse  para apagar la secadora.



- Los resultados se muestran en la pantalla durante aproximadamente 5 minutos y luego ésta se apaga en forma automática. Puede apagar los resultados de inmediato al pulsar .

NOTA

- Durante y luego de la prueba, el interior del tambor está caliente. Tenga cuidado para evitar quemaduras. La función Test de bloq. Ventila sirve para detectar problemas en el sistema de conductos actual cuando la secadora se instala por primera vez.
- Si el resultado de la prueba muestra un código de verificación (el sistema de conductos está bloqueado), consulte la sección **“Requisitos para el tendido de conductos”** en la página 17 y la sección **“Guía de los conductos de drenaje”** a continuación, y tome las medidas correspondientes para corregir cualquier problema. Si la prueba se suspende, puede dar resultados incorrectos. Siga los procedimientos adecuados para realizar la prueba de la secadora.
- Aunque el resultado sea normal (**“Sin reporte de problemas”**), el sistema de conductos podría estar ligeramente bloqueado. Instale correctamente los conductos de acuerdo con las instrucciones de instalación de este manual.

Códigos de verificación de la instalación

Verificar código	Significado	Solución
Sin reporte de problemas	El estado de la ventilación es bueno.	
Ventilación casi obstruida	Más del 80 % de la ventilación está bloqueada. (Esto puede generar problemas de secado o fallas de funcionamiento.)	<ol style="list-style-type: none"> 1. Limpie el filtro para pelusas. 2. Verifique el estado de la ventilación. (Consulte la sección “Requisitos para el tendido de conductos”) * Debe tomar medidas (como la limpieza) a realizar por personal especializado.
Dejar la secadora a temperatura ambiente	La temperatura interna de la secadora es demasiado baja (inferior a 32 °F [0 °C]) o demasiado alta (superior a 104 °F [40 °C]) y, por lo tanto, no se puede detectar el bloqueo de la ventilación.	Deje la secadora a temperatura ambiente (41~95 °F [5~35 °C]) durante una hora y vuelva a verificarla.
Se detectan prendas en el tambor	La unidad detecta artículos en el tambor o hay un error en el sensor de secado.	Retire los artículos del tambor y vuelva a intentar. Si el problema persiste, comuníquese con un centro de servicio.

NOTA

Para otros códigos de información, consulte la sección **“Solución de problemas”** en las páginas 57.



Instalación

Guía de los conductos de drenaje

Conductos

1. Asegúrese de que la secadora esté instalada correctamente para que drene fácilmente.
2. Utilice conductos de metal rígido, de 4 pulgadas. Coloque cinta en todas las uniones, incluso en la conexión de la secadora. Nunca use tornillos que atrapen pelusa.
3. Para facilitar el drenaje, mantenga los conductos tan rectos como sea posible.

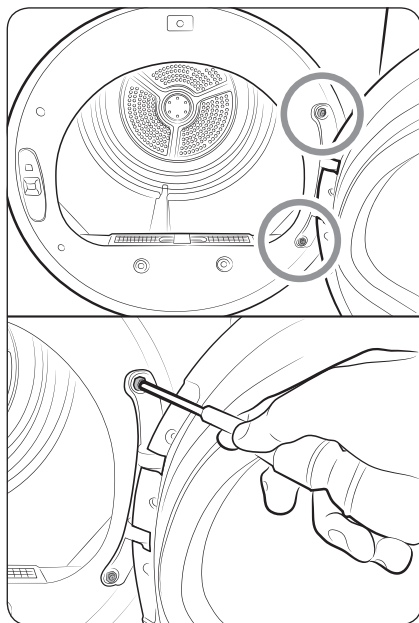
Limpieza

Limpie los conductos viejos antes de instalar la secadora y asegúrese de que la ventilación se abra y se cierre sin inconvenientes. Le recomendamos que limpie el sistema de drenaje anualmente o en forma regular.

⚠ ADVERTENCIA

- A fin de evitar incendios, no use ningún tipo de conducto plástico, con un recubrimiento delgado o de un material que no sea el metal.
- No use un mal sistema de drenaje dado que demora el desempeño de la secadora.
- No use conductos excesivamente largos con muchos codos.
- No use conductos o tubos de ventilación aplastados u obstruidos.

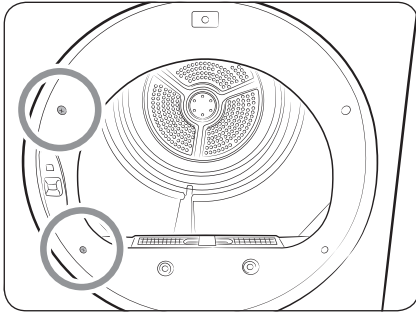
Cambiar la posición de la puerta



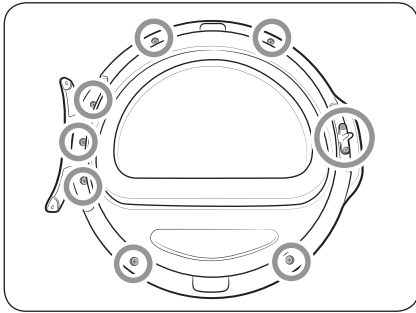
Para invertir el sentido en que se abre la puerta, le recomendamos que llame a un técnico calificado.

1. Desenchufe el cable de alimentación de la secadora.
2. Retire los dos tornillos de la bisagra de la puerta y luego retire la puerta levantándola levemente.

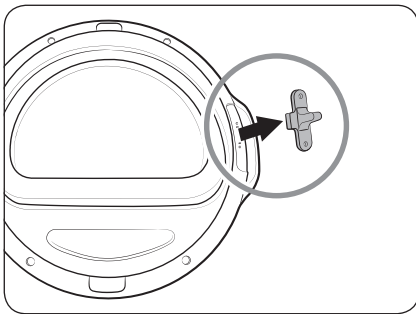




3. Retire los dos tornillos del lado opuesto de la bisagra de la puerta.



4. Ubique y retire los 9 tornillos de la puerta como se muestra.

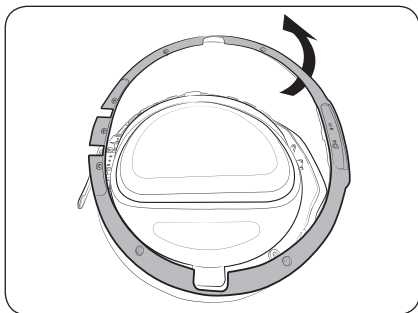


5. Retire la manija de la puerta.

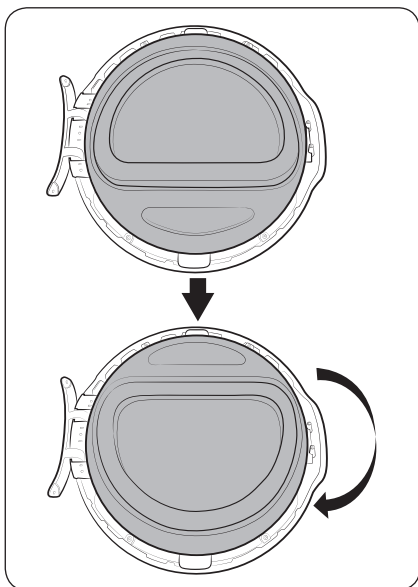


Instalación

Español

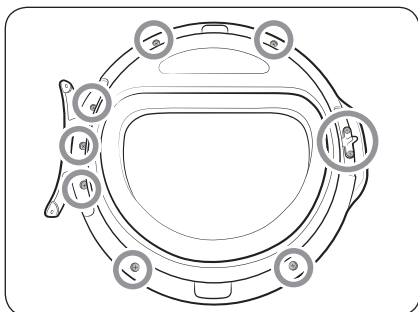


6. Retire el marco de la puerta.

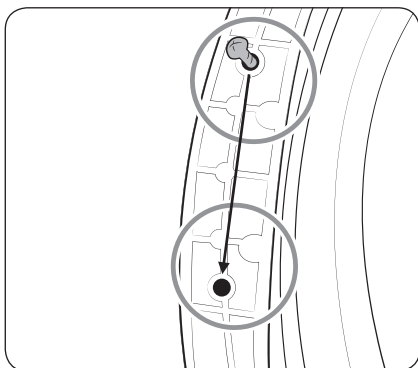


7. Rote el vidrio de la puerta 180°.

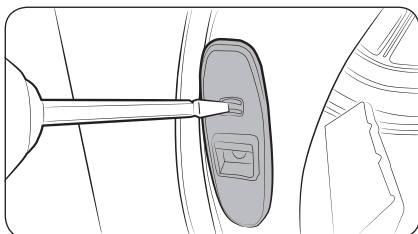




8. Vuelva a colocar el marco y la manija de la puerta.



9. Cambie la ubicación de los tornillos usados para fijar la bisagra de la puerta, como se muestra.

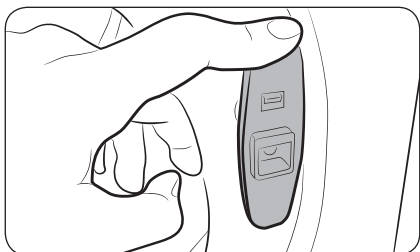


10. Retire la cubierta de la manija presionando el gancho.

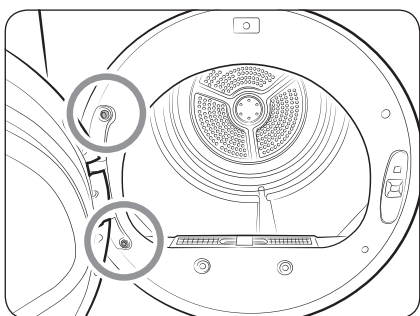


Instalación

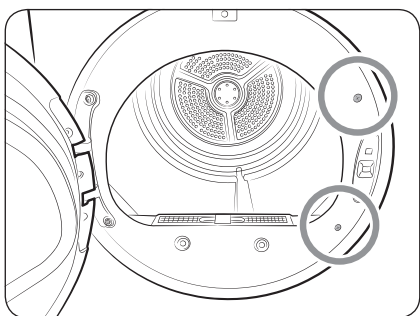
Español



11. Coloque la placa de apoyo del otro lado como se muestra.



12. Inserte y apriete los dos tornillos de la bisagra.



13. Inserte y apriete los dos tornillos en el lado opuesto de la bisagra de la puerta.

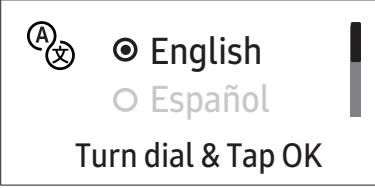
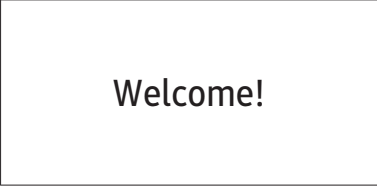
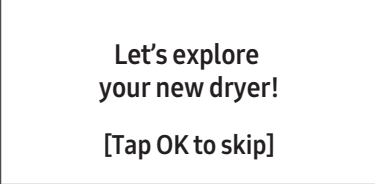
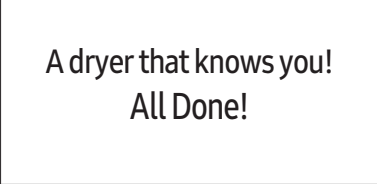


Antes de comenzar

Antes de encender la secadora, debe saber algunas cosas.

Configuración inicial

- La primera vez que enciende la secadora, la pantalla muestra el proceso de configuración inicial. Para completarlo, siga las instrucciones en la pantalla.
- Si completa la configuración inicial y opera un ciclo durante más de un minuto, la configuración inicial no aparecerá de nuevo.
- Esta configuración inicial incluye la selección de idioma y un breve tutorial.
- Al pulsar un botón, se debe tocar exactamente el texto.
- Operar la lavadora y la secadora al mismo tiempo puede causar pérdida de potencia, dependiendo de la instalación y del estado de su sistema eléctrico.

01 Selección de idioma	02 Pantalla de bienvenida
	
03 Tutorial	
	

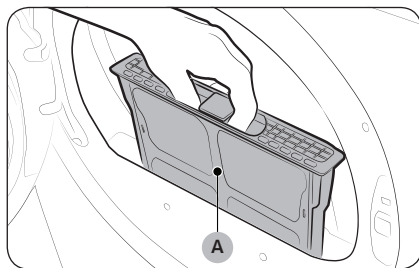
Antes de comenzar

Clasificación y carga

- Coloque una carga de ropa en la secadora por vez.
- No mezcle prendas pesadas y livianas.
- Para mejorar la eficiencia de secado al secar una o dos prendas, agregue una toalla seca a la carga.
- Para obtener mejores resultados, desenrede las prendas antes de colocarlas en la secadora. Las prendas enredadas pueden disminuir la eficacia del secado o hacer que se abra la puerta.
- La sobrecarga limita el funcionamiento y ocasiona un secado irregular, así como la formación de arrugas.
- A menos que se recomiende en la etiqueta, no seque prendas de lana o fibra de vidrio.
- Evite secar artículos sin lavar.
- No seque artículos muy sucios con aceite, alcohol, gasolina, etc.

Requisito de funcionamiento

Filtro de pelusa



Para evitar el riesgo de incendios, asegúrese de limpiar el filtro de pelusa antes o después de cada carga.

1. Apague la secadora.
2. Abra la puerta y retire el **filtro de pelusa (A)** del tambor.
3. Separe la parte superior del filtro de pelusa para abrirlo. Retire la pelusa y luego limpie el filtro.
4. Cierre el filtro de pelusa, vuelva a insertarlo en la secadora y cierre la puerta de la secadora.

⚠ PRECAUCIÓN

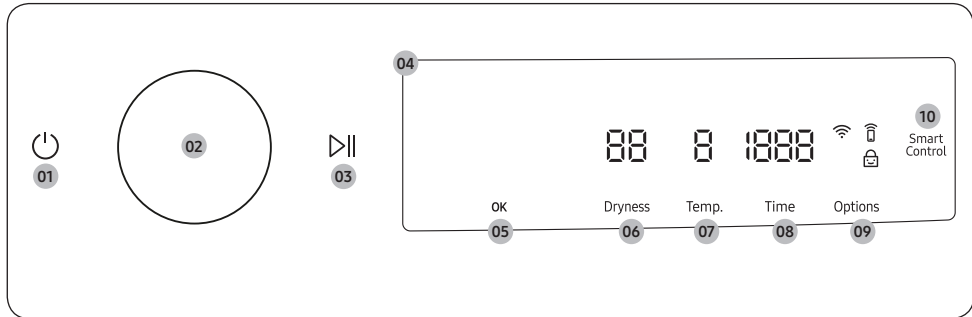
- No haga funcionar la secadora sin el filtro para pelusas insertado.
- No utilice un filtro de pelusa dañado o roto. Esto podría reducir el desempeño y/o provocar un incendio.

Funcionamiento

⚠ ADVERTENCIA

Para reducir el riesgo de incendio, descarga eléctrica o lesiones, lea “**Información sobre seguridad**” antes de poner en funcionamiento el electrodoméstico.

Panel de control






<p>01 Encendido </p>	<p>Toque para encender y apagar la secadora.</p> <ul style="list-style-type: none"> • Si no manipula el panel de control antes de 10 minutos después de encender la secadora, ésta se apagará de manera automática. • La secadora se apaga de manera automática al terminar el ciclo de secado. <p>⚠ PRECAUCIÓN</p> <p>No toque para apagar la secadora mientras se realiza un secado. Toque y sostenga para hacer primero una pausa en el ciclo de secado, y luego toque para apagar la secadora.</p>
<p>02 Perilla de navegación</p>	<p>Gire la perilla de navegación hacia la izquierda o la derecha para navegar por los ciclos y las funciones. Al girar la perilla de navegación, en la pantalla se muestra su selección (por ejemplo, ciclo, funciones adicionales y ajustes).</p>
<p>03 Inicio/Pausa </p>	<p>Toque y sostenga para iniciar o pausar una operación.</p>
<p>04 Pantalla</p>	<p>La pantalla muestra el ciclo actual, el tiempo restante estimado, las opciones de ciclo y otros mensajes útiles o de alerta.</p>
<p>05 OK (ACEPTAR)</p>	<p>Toque para confirmar su selección de función o configuración.</p>
<p>06 Dryness (Nivel de secado)</p>	<p>Toque para cambiar el nivel de secado del ciclo seleccionado. Puede seleccionar desde el nivel 1 hasta el 5, pero el nivel disponible depende del ciclo seleccionado.</p> <ul style="list-style-type: none"> • 4 o 5: Adecuado para prendas grandes y gruesas. • 3: Nivel estándar de secado. • 2: El Nivel de secado húmedo fue concebido para secar parcialmente las prendas. Utilícela para las prendas que deban secarse en posición horizontal o colgarse. • 1: Seca suavemente las prendas, para proteger la tela. Adecuado para prendas delicadas o que desee secar de manera natural (colgándolas o colocándolas horizontales en una rejilla de secado) mientras están húmedas.



Funcionamiento

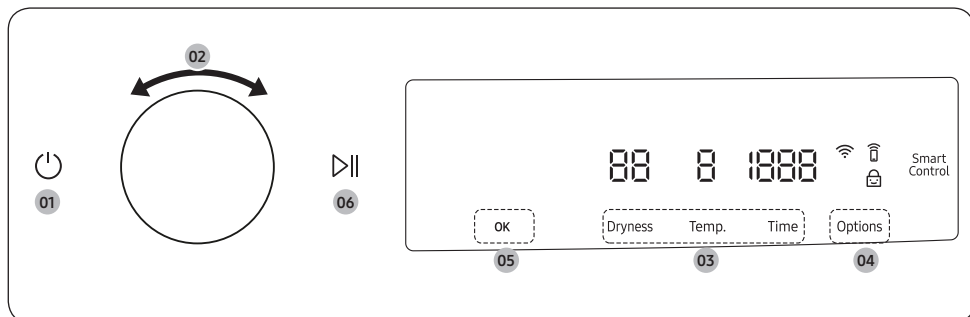
07 Temp. (Temperatura)	La temperatura solo puede ajustarse en el ciclo Secado con tiempo. Pulse para cambiar la temperatura del ciclo actual.
08 Time (Tiempo)	Pulse para seleccionar el tiempo del ciclo para Carga pequeña, Secado con tiempo, Secado en estante, Temp. Amb. o Eliminar arrugas. Es posible establecer el tiempo de secado entre 10 y 90 minutos. El tiempo disponible de secado depende del ciclo seleccionado.
09 Options (Opciones)	<ul style="list-style-type: none"> • Pulse para ingresar al menú de Opciones. • Mantenga pulsado durante 3 segundos para ingresar al menú de Ajustes.
10 Smart Control (solo para modelos eléctricos)	Después de conectar la secadora a la red doméstica mediante la aplicación SmartThings, puede controlar o supervisar la secadora de forma remota. Cuando se activa, el indicador de Smart Control (Smart Monitor) se ilumina. La secadora entra en modo de espera para los comandos remotos.

Descripción del ícono

	Wi-Fi	Este ícono indica que la secadora está conectada al Wi-Fi.
	Smart Control	Este ícono indica que el Smart Control está activado. Para mayor información sobre el "Smart Control", vea la página 48.
	Seguro para niños	Este ícono indica que el Seguro para niños está activado. Para mayor información sobre el "Seguro para niños", vea la página 45.



Operar un ciclo



1. Toque para encender la secadora.
2. Gire la **perilla de navegación** para seleccionar el ciclo que desee. Para mayor información sobre la “**Descripción del ciclo**”, vea la página **42**.
3. Pulse **Dryness (Nivel de secado)**, **Temp.(Temperatura)** o **Time (Tiempo)** para cambiar los ajustes predeterminados del ciclo.
4. Pulse **Options (Opciones)** y, luego, gire la **perilla de navegación** para seleccionar una función adicional. Para obtener más información sobre “**Opciones**”, consulte la página **43**.
5. Pulse **OK (ACEPTAR)** para cambiar los ajustes de la función adicional seleccionada. No todos los ciclos tienen funciones adicionales disponibles.
6. Toque y sostenga para comenzar la operación. Cuando establezca el ciclo deseado, la pantalla mostrará una descripción breve del ciclo y su duración. También es posible verificar el progreso del ciclo, el tiempo restante del mismo y los códigos de información.



Funcionamiento

Descripción del ciclo

NOTA

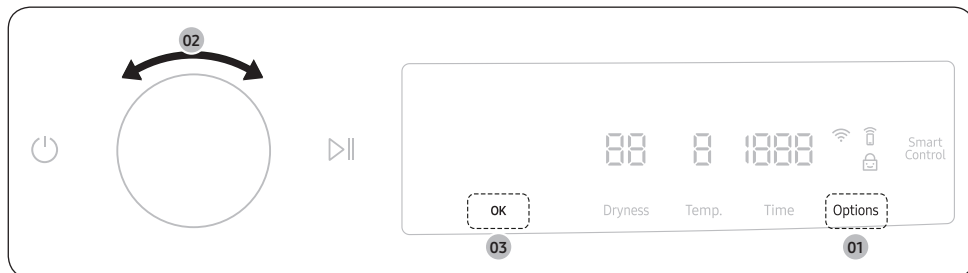
Es posible utilizar otros ciclos después de agregarlos a la lista de ciclos, utilizando la función Mis ciclos. Para mayor información, vea la sección "Mis ciclos" en la página 44.

Ciclo	Descripción
Normal	Para la mayoría de las telas, incluido algodón y lino.
Secado con tiempo	Permite especificar el tiempo del ciclo en una unidad de 10 minutos.
Carga pesada	Para secar prendas de tela resistente, tales como los jeans, la pana y la ropa de trabajo con calor a alta temperatura.
Carga mixta	Para cargas mixtas de prendas de algodón y telas sintéticas.
Carga pequeña	Ciclo con temporizador para una carga pequeña de prendas. El tiempo predeterminado es de 30 minutos. Sin embargo, puede cambiar la duración del ciclo de forma manual si es necesario.
Delicado	Para secar prendas sensibles al calor a baja temperatura de secado.
Desinfección	Úselo para desinfectar prendas mediante la aplicación de vapor y calor a alta temperatura a las telas. Este ciclo puede suavizar las prendas y reducir los olores.
Antiarrugas	El ciclo Antiarrugas eliminará las arrugas de prendas que están limpias, secas y solo levemente arrugadas, tales como prendas que extrajo de un clóset demasiado lleno o de una maleta o prendas que han estado en la secadora demasiado tiempo después de la finalización del ciclo. El ciclo Antiarrugas se puede usar con cualquier temperatura.
Toallas	Use para secar cargas como toallas de baño.
Ropa Deportiva	Para prendas para hacer ejercicio y actividades al aire libre tales como jerseys de deporte, pantalones deportivos, chaquetas impermeables u otras prendas de entrenamiento. Puede que las telas gruesas como los cierres o cierres velcro o medias de entrenamiento no se sequen completamente.
Jeans	Use una temperatura de secado escalonada para eliminar la humedad de los jeans.
Camisas	Para secar rápido pocas prendas como camisas.
Lana	Solo para prendas de lana que puedan secarse en la secadora. Para obtener mejores resultados, voltee las prendas al revés antes del secado.
Plancha perm	Seca automáticamente prendas de algodón sin arrugas, también telas sintéticas, tejidos y telas antiarrugas.
Temp. amb.	Seca la carga con aire a temperatura ambiente.



Opciones

Uso de las opciones



1. Pulse **Options (Opciones)**.
2. Gire la **perilla de navegación** para seleccionar la función adicional que desee.
3. Pulse **OK (ACEPTAR)** para cambiar los ajustes de la función seleccionada o iniciar la función.

NOTA

- Para volver a la pantalla principal, pulse **Options (Opciones)** nuevamente o gire la **perilla de navegación** para seleccionar **Volver** y pulse **OK (ACEPTAR)**.
- Si la función seleccionada no es compatible, aparecerá el mensaje "**No compatible actualmente**" y el botón **OK (ACEPTAR)** no estará activado.
- Cuando se selecciona una función adicional, aparece un breve mensaje para las primeras 10 veces de uso.
- Si no utiliza el panel de control durante 7 segundos luego de ingresar al menú de Opciones, regresará a la pantalla principal.

Prevención de arrugas

Reduce las arrugas al hacer girar el tambor de manera intermitente luego de completar el ciclo de secado. Prevención de arrugas dura aproximadamente 180 minutos. La carga está seca y puede retirarse en cualquier momento durante el ciclo Prevención de arrugas.

1. Pulse **Options (Opciones)**.
2. Gire la **perilla de navegación** para seleccionar **Prevención de arrugas** y, luego, pulse **OK (ACEPTAR)**.
3. Pulse **OK (ACEPTAR)** para seleccionar **Encender** u **Apagar**.

Funcionamiento

Prendas húmedas

Esta función le alerta cuando las camisas y otras prendas que requieren planchado están lo bastante secas para poderse planchar.

1. Seleccione un ciclo y cambie los ajustes de éste según se requiera.
 - Esta función está disponible para Normal, Carga pesada, Delicado, Plancha perm, Toallas y Jeans con el Nivel de secado establecido en 2-5.
2. Pulse **Options (Opciones)**.
3. Gire la **perilla de navegación** para seleccionar **Prendas húmedas** y, luego, pulse **OK (ACEPTAR)**.
4. Pulse **OK (ACEPTAR)** para seleccionar **Encender** u **Apagar**.

Alarma durante el secado:

1. Toque y sostenga **▷||** para pausar el ciclo.
2. Abra la puerta y saque las prendas que desea planchar.
3. Cierre la puerta, y luego toque y sostenga **▷||** para secar las demás prendas.

Mis ciclos

Agregue o retire ciclos para crear una lista de ciclos personales.

1. Pulse **Options (Opciones)**.
2. Gire la **perilla de navegación** para seleccionar **Mis ciclos** y luego, pulse **OK (ACEPTAR)**.
 - Solamente puede editar un ciclo para crear uno personal cuando la secadora no está operando.
3. Gire la **perilla de navegación** para seleccionar el ciclo que desee.
4. Pulse **OK (ACEPTAR)** para agregar o eliminar el ciclo seleccionado.
 - Agregar o retirar un ciclo se guarda de manera automática.
5. Pulse **Options (Opciones)** o seleccione **Volver** para finalizar la configuración de Mis ciclos.

NOTA


El ciclo Normal no puede eliminarse de la lista de ciclos.


Luz interna

Puede encender o apagar la luz del tambor.


1. Pulse **Options (Opciones)**.
2. Gire la **perilla de navegación** para seleccionar **Luz interna** y luego, pulse **OK (ACEPTAR)**.
3. Pulse **OK (ACEPTAR)** para seleccionar **Encender** u **Apagar**.
 - La luz interna se enciende incluso cuando la secadora está apagada. (Si la secadora está enchufada a un tomacorriente).
 - Al abrir la puerta de la secadora, la luz interna se enciende automáticamente y se apaga luego de 2 minutos.

Seguro para niños

Para evitar que los niños enciendan o configuren accidentalmente la secadora, el **Seguro para niños** bloquea todos los botones excepto  y **Options (Opciones)**.

1. Cierre la puerta.
2. Pulse **Options (Opciones)**.
3. Gire la **perilla de navegación** para seleccionar **Seguro para niños** y luego, pulse **OK (ACEPTAR)**.
4. Pulse **OK (ACEPTAR)** para seleccionar **Encender** u **Apagar**.
 - El ícono de **Seguro para niños**  se enciende cuando la función está activada.
 - No se puede activar el Seguro para niños si la puerta está abierta. Si aparece el mensaje "**La puerta está abierta**" en la pantalla cuando intenta activar el Seguro para niños, cierre la puerta e intente nuevamente.

NOTA

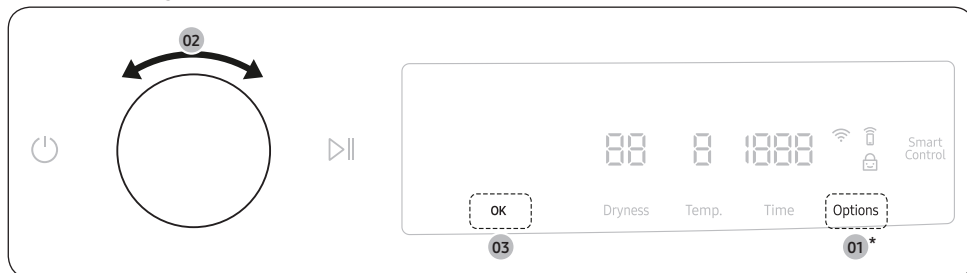
- Cuando la función Seguro para niños está activada, se desactivan todos los botones excepto  y **Options (Opciones)**.
- Si pulsa un botón con el Seguro para niños activado, se acciona una alarma con el mensaje "**Seguro para niños activado**".
- Si abre y cierra la puerta con el Seguro para niños activado, se acciona una alarma con el mensaje "**Abra la puerta y revise el interior**" y "**Seguro para niños activado**".
- Para apagar un mensaje de notificación, desactive el Seguro para niños o apague la secadora.



Funcionamiento

Ajustes

Uso de la configuración



* Toque y sostenga durante tres segundos.

1. Mantenga pulsado **Options (Opciones)** durante 3 segundos.
2. Gire la **perilla de navegación** y seleccione el ajuste deseado, y luego pulse **OK (ACEPTAR)**.
3. Pulse **OK (ACEPTAR)** para cambiar los ajustes de la función seleccionada o iniciar la función.

NOTA

- Para volver a la pantalla principal, pulse **Options (Opciones)** nuevamente o gire la **perilla de navegación** para seleccionar **Volver** y pulse **OK (ACEPTAR)**.
- Si no utiliza el panel de control durante 7 segundos luego de ingresar al menú de Ajustes, regresará a la pantalla principal.

Patrón IA

Esta función guarda los ciclos y ajustes que usa con mayor frecuencia.

1. Mantenga pulsado **Options (Opciones)** durante 3 segundos.
2. Gire la **perilla de navegación** para seleccionar **Patrón IA** y, luego, pulse **OK (ACEPTAR)**.
3. Pulse **OK (ACEPTAR)** para seleccionar **Encender** u **Apagar**.
 - El ajuste predeterminado es **Encender**. Cambie a **Off (Apagar)** si no desea usar esta función.
 - Al activar esta función, la secadora recuerda los ciclos más usados y sus ajustes (Nivel de secado **Dryness (Nivel de secado)**, Tiempo **Time (Tiempo)**) y los guarda en orden de frecuencia.
 - Cuando se apaga esta función, se restablecen todos los datos guardados.



Alarma

Puede activar/desactivar los sonidos de alarma.


1. Mantenga pulsado **Options (Opciones)** durante 3 segundos.
2. Gire la **perilla de navegación** para seleccionar **Alarma.** y, luego, pulse **OK (ACEPTAR).**
3. Pulse **OK (ACEPTAR)** para seleccionar **Encender u Apagar.**
 - La configuración predeterminada es **On (Encender).**

NOTA

Este ajuste permanece sin cambios incluso después de encender de nuevo la secadora.

Wi-Fi

Toque para encender o apagar el Wi-Fi.

1. Mantenga pulsado **Options (Opciones)** durante 3 segundos.
2. Gire la **perilla de navegación** para seleccionar **Wi-Fi** y, luego, pulse **OK (ACEPTAR).**
3. Pulse **OK (ACEPTAR)** para seleccionar **Encender u Apagar.**
 - El Wi-Fi de la secadora está desactivado en la configuración de fábrica. Sin embargo, se activa automáticamente cuando se enciende por primera vez la secadora. Luego, el ajuste final de Wi-Fi se mantiene, independientemente del estado de energía de la secadora.
 - Una vez que se activa el Wi-Fi de la secadora y se conecta a una red, la secadora permanece conectada a la red incluso cuando se apaga la secadora.
 - El Wi-Fi  indica que la secadora está conectada a un enrutador a través de la conexión Wi-Fi.

Idioma

Puede cambiar el Idioma del sistema.

1. Mantenga pulsado **Options (Opciones)** durante 3 segundos.
2. Gire la **perilla de navegación** para seleccionar **Idioma** y luego, pulse **OK (ACEPTAR).**
3. Gire la **perilla de navegación** para seleccionar el idioma deseado y luego, pulse **OK (ACEPTAR).**

Test de bloq. Ventila

Detecta automáticamente el estado de los conductos e informa de cualquier bloqueo o problema.

1. Mantenga pulsado **Options (Opciones)** durante 3 segundos.
2. Gire la **perilla de navegación** para seleccionar **Test de bloq. Ventila** y, luego, pulse **OK (ACEPTAR).**
 - Test de bloq. Ventila se inicia de inmediato.

Restablecer a valores de fábrica

Puede restablecer su secadora a los valores de fábrica.

1. Mantenga pulsado **Options (Opciones)** durante 3 segundos.
2. Gire la **perilla de navegación** para seleccionar **Restablecer a valores de fábrica** y, luego, pulse **OK (ACEPTAR).**
 - Su secadora se restablece a los valores de fábrica.



Funcionamiento

Características especiales

Smart Control

Puede conectarse a la aplicación SmartThings y controlar su secadora de manera remota. (Smart Control para modelos eléctricos).

Conectar la secadora


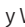
- Descargue e instale la aplicación SmartThings en su teléfono inteligente
- Toque  para encender la secadora.
- Mantenga pulsado **Smart Control / Smart Monitor** en la secadora.
 - a. La secadora ingresa al modo PA y se conecta a su dispositivo móvil.
 - b. Pulse **Smart Control / Smart Monitor** para autenticar la secadora en su dispositivo móvil.
 - c. Cuando se completa el proceso de autenticación, la secadora se conecta correctamente a la aplicación. Use las diversas características disponibles en la aplicación SmartThings.

NOTA

- Si la secadora no puede conectarse a la aplicación SmartThings, intente nuevamente.
- Revise su enrutador si experimenta algún problema de conexión a Internet luego de conectar la secadora a la aplicación SmartThings.
- Si el Wi-Fi está desactivado, mantenga pulsado **Options (Opciones)** durante 3 segundos para navegar hasta las **Ajustes**, seleccione **Wi-Fi** y pulse **OK (ACEPTAR)** para activarlo.
- Activar el Wi-Fi de la secadora le permite conectarla mediante la aplicación SmartThings a su teléfono inteligente, independientemente de si la secadora está encendida o apagada. No obstante, la secadora no aparece en línea en la aplicación SmartThings si el Wi-Fi de la secadora está desactivado.
- Cierre la puerta antes de iniciar la función Smart Control.
- Si utiliza la secadora 20 veces sin conectarla a SmartThings, la próxima vez que la encienda aparecerá una ventana emergente acerca de la conexión Smart Control durante 3 segundos.
- Si el Wi-Fi de la secadora no está conectado a un PA (punto de acceso), el Wi-Fi se desactivará cuando se apague la secadora.

Seguir conectado

Configure la función Seguir conectado en la aplicación SmartThings. La secadora sigue conectada a la aplicación para poder usarla cuando no esté en su casa.

1. Si activa la función Seguir conectado en la aplicación SmartThings, la secadora seguirá en modo de ahorro de energía en espera luego de completar un ciclo.
 - Si la puerta permanece cerrada, la función Seguir conectado permanecerá activa hasta 24 horas.
2. Cuando la función Seguir conectado está activada, se iluminan los íconos de Smart Control  y Wi-Fi  en la pantalla de la secadora.
3. Controle con comodidad su secadora mediante la aplicación SmartThings

NOTA

Al pausar el funcionamiento de la secadora, cambia al modo de ahorro de energía en espera incluso si no está conectada a la aplicación SmartThings.



SmartThings

Conexión Wi-Fi

Encienda la conexión wifi en los **Settings (Ajustes)** de su smartphone y seleccione un AP (punto de acceso).

- Este electrodoméstico admite los protocolos Wi-Fi 2.4 GHz.

Descargar

En una tienda de aplicaciones (Google Play Store, Apple App Store, Samsung Galaxy Apps), busque la aplicación SmartThings con el término de búsqueda "SmartThings". Descargue e instale la aplicación en su dispositivo.

📖 NOTA

La aplicación está sujeta a cambios sin previo aviso para mejorar el producto.

Además, las actualizaciones adicionales de la aplicación o la función en la aplicación pueden detenerse debido a razones de usabilidad y seguridad, incluso si las actualizaciones son actualmente compatibles con su sistema operativo.

Iniciar sesión

En primer lugar debe iniciar sesión en SmartThings usando su cuenta Samsung. Para crear una nueva cuenta Samsung, siga las instrucciones en la aplicación. No necesita otra aplicación para crear una cuenta.

📖 NOTA

Si tiene una cuenta de Samsung, úsela para iniciar sesión. Si utiliza un smartphone Samsung, el inicio de sesión será automático.

Para registrar su secadora en SmartThings

1. Asegúrese de que su smartphone está conectado a una red inalámbrica. De lo contrario, vaya a **Settings (Ajustes)**, active la conexión inalámbrica y seleccione un AP (Punto de acceso).
2. Abra **SmartThings** en su teléfono inteligente.
3. Si aparece el mensaje "A new device is found. (Se encontró un nuevo dispositivo.)", seleccione **Add (Agregar)**.
4. Si no aparece ningún mensaje, seleccione **+** y su secadora en la lista de dispositivos disponibles. Si su electrodoméstico no figura, seleccione **Device Type (Tipo de dispositivo) > Specific Device Model (Modelo de dispositivo específico)**, y luego agregue su electrodoméstico manualmente.
5. Registre su secadora en la aplicación SmartThings de la siguiente manera.
 - a. Añada la secadora a SmartThings. Compruebe que la secadora está conectada a SmartThings.
 - b. Al finalizar el registro, la secadora debería aparecer en su teléfono inteligente.

Funcionamiento

Tabla de ciclos

NOTA

Para obtener los mejores resultados, siga las recomendaciones sobre el tamaño de la carga para cada ciclo de secado.

- Carga grande: Llene aproximadamente $\frac{3}{4}$ del tambor. No agregue prendas por encima de este nivel para que puedan dar vueltas con libertad.
- ◐ Carga media: Llene aproximadamente $\frac{1}{2}$ del tambor.
- Carga pequeña: Coloque de 3 a 5 prendas y no llene más de $\frac{1}{4}$ del tambor.

Ciclo	Prendas recomendadas	Tamaño de la carga	Nivel de secado
Normal	Algodón, ropa de trabajo, ropa de cama y de mesa, cargas mixtas	●	Secado normal, nivel 5 (Ajustable)
Secado con tiempo	Cualquier carga	●	-
Carga pesada	Telas resistentes, tales como jeans, pana y ropa de trabajo pesado	◐	Secado normal, nivel 5 (Ajustable)
Carga mixta	Cargas mixtas de prendas de algodón y telas sintéticas	◐	Secado normal, nivel 3 (Ajustable)
Carga pequeña	Cargas pequeñas	○	-
Delicado	Ropa interior, blusas, lencería	◐	Secado normal, nivel 5 (Ajustable)
Desinfección	Ropa de cama, cortinas, prendas para niños	◐	Muy seco (sin cambios)
Antiarrugas	Camisas, pantalones, blusas	○	-
Toallas	Toallas de baño y prendas similares	●	Secado normal, nivel 5 (Ajustable)
Ropa Deportiva	Prendas impermeables, prendas de entrenamiento, ropa deportiva (Máximo: 4 lbs)	◐	Secado normal (sin cambios)
Jeans	Jeans, mezclilla	◐	Secado normal, nivel 5 (Ajustable)
Camisas	Camisas, blusas	◐	Secado normal, nivel 5 (Ajustable)
Lana	Solo para lana lavable y secada a máquina.(cantidad máxima: 3 lbs)	○	Secado normal (sin cambios)
Plancha perm	Camisas, telas sintéticas, tejidos, prendas de algodón sin arrugas y telas con planchado	◐	Secado normal, nivel 5 (Ajustable)
Temp. amb.	Espuma, goma, plástico	○	-

 **NOTA**

● : configurado de fábrica, ○ : se puede seleccionar

Ciclo	Funciones (Control de temperatura)	Time (Tiempo)	Opciones	
			Prendas húmedas	Prevención de arrugas
Normal	Media, nivel 4		○	○
Secado con tiempo	Alta, nivel 5 (Ajustable)	○		○
Carga pesada	Alta, nivel 5		○	○
Carga mixta	Media, nivel 4		○	○
Carga pequeña	Alta, nivel 5	○		○
Delicado	Muy baja, nivel 1		○	○
Desinfección	Alta, nivel 5			○
Antiarrugas	Mediana baja, nivel 3 (Ajustable)	○		○
Toallas	Alta, nivel 5		○	○
Ropa Deportiva	Baja, nivel 2			○
Jeans	Media, nivel 4		○	○
Camisas	Media, nivel 4		○	○
Lana	Baja, nivel 2			○
Plancha perm	Media, nivel 4		○	○
Temp. amb.	-	○		○



Funcionamiento

Guía de secado

La mejor manera de secar las prendas es seguir las instrucciones de la etiqueta. Si no se brindan instrucciones de secado, consulte la siguiente tabla a modo de referencia.

Elementos	Descripción
Cubrecamas y edredones	Siga las instrucciones de la etiqueta con indicaciones o seque en el ciclo Ropa de cama. <ul style="list-style-type: none"> Asegúrese de que la prenda esté completamente seca antes de usarla o guardarla. Tal vez deba volver a colocarla en el tambor para garantizar un secado uniforme.
Ropa de cama	Use el ciclo Normal y seque de a una sola cobija por vez para lograr un mejor funcionamiento de la secadora. <ul style="list-style-type: none"> Asegúrese de que las cobijas estén completamente secas antes de usarlas o guardarlas.
Cortinas y paños de tela	Utilice Plancha perm y la temperatura mediana baja para minimizar la formación de arrugas. <ul style="list-style-type: none"> Seque cortinas y paños de tela en tandas pequeñas para obtener mejores resultados y retírelos lo antes posible una vez finalizado el ciclo.
Pañales de tela	Utilice Normal y el ajuste de temperatura Medium (Medio) para pañales suaves y mullidos.
Prendas con relleno de plumas (chaquetas, bolsas de dormir, edredones, etc.)	Utilice Normal y el ajuste de temperatura Medium (Medio). <ul style="list-style-type: none"> Agregue un par de toallas secas para absorber la humedad y acortar el tiempo de secado.
Goma espuma (reverso de alfombras, muñecos de peluche, hombreras, etc.)	No seque con el ciclo de secado con calor. ⚠ ADVERTENCIA Secar un artículo de goma con calor puede dañarlo o causar un incendio.
Almohadas	Utilice Normal. <ul style="list-style-type: none"> Agregue un par de toallas secas y un par de zapatillas limpias para mejorar el funcionamiento de la secadora y ahuecar las almohadas. No seque almohadas de capoc o de goma espuma utilizando un ciclo de secado con calor.
Plásticos (cortinas de baño, cubiertas de muebles para exteriores, etc.)	Utilice Secado con tiempo y el ajuste de temperatura baja de acuerdo con las instrucciones de la etiqueta.

⚠ ADVERTENCIA

No seque:

- Artículos de fibra de vidrio (cortinas, paños de tela, etc.)
- Lanas, salvo que se recomiende en la etiqueta
- Artículos manchados o embebidos en aceite vegetal o de cocina





Mantenimiento

Mantenga la secadora limpia para lograr un mejor rendimiento y prolongar su vida útil.

ADVERTENCIA

Ciertas partes eléctricas se han dejado intencionalmente desconectadas de la tierra física y pueden presentar un riesgo de choque eléctrico durante el mantenimiento.

Personal de mantenimiento, no tocar estas partes mientras el aparato esté encendido: Panel de control y válvula de entrada.

Limpieza

Panel de control

- Limpie con un paño suave y húmedo. No utilice sustancias abrasivas.
- No rocíe productos de limpieza líquidos directamente sobre la pantalla de la secadora.
- Algunos productos removedores de suciedad y manchas de tratamiento previo pueden dañar el panel de control.
- Al usar productos de limpieza líquidos, aplíquelos a la ropa. No los aplique directamente en la secadora. Limpie el líquido derramado o rociado inmediatamente.

Tambor

- Elimine las manchas del tambor con un limpiador multiuso.
- Seque toallas o trapos para eliminar restos de manchas o productos de limpieza. Las manchas pueden ser aún visibles, pero no afectarán las cargas posteriores.

Tambor acabado con pintura en polvo

Para limpiar el tambor acabado con pintura en polvo, use un paño humedecido con un limpiador suave, no abrasivo, adecuado para superficies que se deterioran fácilmente.

Elimine los residuos del limpiador y seque con un paño limpio.

Exterior de la secadora

- Limpie con un paño suave y húmedo. No utilice sustancias abrasivas.
- Proteja la superficie de objetos afilados.
- No coloque objetos pesados ni afilados ni tampoco un envase de detergente sobre la secadora. Pueden rayar o dañar la cubierta superior de la secadora.
- La secadora tiene un acabado brillante en toda su superficie. Tenga cuidado de no rayar ni dañar la superficie.

Sistema de drenaje

- Controle y limpie el sistema de drenaje regularmente para mantener un desempeño óptimo.
- La tapa de drenaje externa debe limpiarse con frecuencia para garantizar un flujo de aire adecuado.





Mantenimiento

Sensor de ventilación

La secadora está equipada con un sensor de ventilación que detecta y le informa cuándo es momento de limpiar los conductos. Verifique lo siguiente si recibe el mensaje **“Revise el filtro para pelusas o el estado de la ventilación”** al encender la secadora.

NOTA

- Para la instalación del conducto, consulte la **Guía de los conductos de drenaje** en la página 32 y **Requisitos para el tendido de conductos** en la página 17.
- La secadora puede seguir funcionando incluso si el conducto está obstruido, pero el tiempo de secado se prolongará.
- Cuando reciba el mensaje, revise el filtro para pelusas y los conductos, y límpielos si es necesario.
- Si el mensaje sigue apareciendo, se debe a que el conducto está instalado o conectado con algunas restricciones (es demasiado largo o tiene demasiados dobleces). No se trata de una falla de sistema. Sin embargo, el tiempo de secado puede extenderse o el desempeño del secado puede degradarse.



Solución de problemas

Verificaciones

Si tiene algún problema con la secadora, primero consulte la tabla siguiente y pruebe las sugerencias.

Problema	Acción
La secadora no enciende.	<ul style="list-style-type: none">• Verifique que la secadora esté conectada.• Asegúrese de que la puerta esté adecuadamente cerrada.• Revise el fusible o reinicie el disyuntor.• Si abrió la puerta durante un ciclo, toque y sostenga ▷ de nuevo.• Limpie el filtro.• Asegúrese de que la función Seguro para niños no esté activada.
La secadora no se calienta.	<ul style="list-style-type: none">• Controle los disyuntores o fusibles de su casa.• Algunos ciclos no requieren calor. Verifique nuevamente el ciclo seleccionado.• Limpie el filtro para pelusas y el conducto de drenaje.• La secadora puede haberse desplazado a la fase de enfriamiento del ciclo.
Las prendas no se secan.	<p>Verifique todos los puntos anteriores. Además:</p> <ul style="list-style-type: none">• Asegúrese de que la tapa de drenaje hacia el exterior de su casa se pueda abrir y cerrar sin inconvenientes.• Verifique que el sistema de drenaje no presente obstrucciones. Los conductos deben inspeccionarse y limpiarse todos los años.• Utilice un conducto de drenaje de metal rígido, de 4".• No la sobrecargue. 1 carga de lavado = 1 carga de secado.• Seque los artículos pesados y los livianos por separado.• Es posible que sea necesario volver a colocar los artículos grandes y voluminosos, como las cobijas o los edredones, para garantizar un secado uniforme.• Asegúrese de que la lavadora esté drenando en forma correcta y extrayendo el agua de la carga adecuadamente.• Es posible que la carga sea demasiado pequeña como para secarse correctamente. Agregue algunas toallas y reinicie la secadora.• Es posible que la carga sea demasiado grande como para secarse correctamente. Retire algunas prendas y vuelva poner en funcionamiento la secadora.• Limpie el filtro para pelusas.
La secadora hace demasiado ruido.	<ul style="list-style-type: none">• Busque monedas, botones sueltos y otros objetos, y retírelos de inmediato.• Revise el filtro para pelusas. Retire cualesquiera prendas atoradas dentro del filtro para pelusas.• Asegúrese de que la secadora esté nivelada y se apoya firmemente sobre el suelo.• La secadora puede zumbir debido al aire que se mueve por el tambor y el ventilador. Esto es normal.• Es normal escuchar el ruido de la válvula de gas de la secadora o que el ciclo del dispositivo de calor se enciende o se apaga durante el ciclo de secado.

Solución de problemas

Problema	Acción
Las prendas no se secan de manera pareja.	<ul style="list-style-type: none"> Las costuras, bolsillos y otras partes de la ropa son más difíciles de secar que otras. Esto es normal. Separe las prendas pesadas de las ligeras.
La secadora emite olores.	<ul style="list-style-type: none"> Es posible que el olor de pintura, barniz, agentes limpiadores y otros artículos domésticos haya circulado por el aire y entrado a la secadora. Si detecta tal olor, ventile completamente antes de usar la secadora. Si seca en un área cerrada, la secadora puede elevar la temperatura ambiente. En ese caso, asegúrese de abrir una ventana y ventilar el área. No intente secar prendas mojadas después de dejarlas mucho tiempo en la lavadora o secadora.
La secadora se apaga antes de que las prendas estén secas.	<ul style="list-style-type: none"> La carga es demasiado pequeña. Coloque algunas pocas prendas adicionales, como toallas, y trate de secarlas de nuevo.
Las prendas tienen pelusa.	<ul style="list-style-type: none"> Asegúrese siempre de que el filtro para pelusas esté limpio, antes de poner prendas en la secadora. Al secar prendas que generen mucha pelusa, tal vez necesite limpiar el filtro para pelusas a la mitad de un ciclo. Algunas telas (como las toallas blancas) sueltan más pelusa y deben secarse de manera separada de las telas a las que la pelusa se pega con facilidad (como pantalones negros de lino). Revise el interior de los bolsillos para asegurarse de que estén vacíos, antes de secar.
Prendas arrugadas después de la prevención de arrugas (Eliminar arrugas, Antiarrugas).	<ul style="list-style-type: none"> Funciona mejor con cargas pequeñas de 1 a 4 prendas. Cargue menos prendas. Cargue prendas similares. Retire las prendas de inmediato una vez finalizado el secado.
Gotea agua de la boquilla cuando comienzan los ciclos de vapor.	<ul style="list-style-type: none"> Esto se debe a la condensación del vapor. El goteo de agua se detendrá en unos minutos.
No se ve el agua rociada durante los ciclos de vapor.	<ul style="list-style-type: none"> El agua rociada es difícil de ver cuando la puerta está cerrada.
Tiempo prolongado.	<ul style="list-style-type: none"> Secado con sensor detecta automáticamente la humedad de la carga y apaga la secadora cuando alcanza el nivel de secado seleccionado. El tiempo de secado puede variar de acuerdo con el tipo y la cantidad de prendas. Consulte la tabla de ciclos para obtener referencias.

Si el problema persiste, comuníquese con un centro de servicio local de Samsung.

Códigos de información

Si la secadora no funciona bien, puede ver un código de información en el panel de la pantalla. Para determinar qué debe hacer, consulte la lista de códigos en la tabla siguiente y pruebe las sugerencias.

Código de información	Significado	Acción
La puerta está abierta	La secadora funciona con la puerta abierta.	<ul style="list-style-type: none"> Asegúrese de que la puerta esté adecuadamente cerrada. Asegúrese de que no quede ropa trabada en la puerta
FC	Frecuencia de fuente de alimentación no válida.	<ul style="list-style-type: none"> Pruebe reiniciar el ciclo. Si este código de información permanece, comuníquese con un centro de servicio de Samsung.
AC	Problema con el control electrónico (Comunicación no válida).	Comuníquese con un centro de servicio de Samsung.
HC	Verificación de calefacción de alta temperatura.	<ul style="list-style-type: none"> Limpié el filtro para pelusas. Si este código de información permanece, comuníquese con un centro de servicio de Samsung.
9C1	Se debe revisar el control electrónico.	<ul style="list-style-type: none"> Revise que el cable de alimentación esté conectado correctamente. Revise que el tomacorriente funciona correctamente. Si el código de información permanece, comuníquese con un centro de servicio de Samsung.
tC	La resistencia del termistor1 es muy baja o muy alta.	<ul style="list-style-type: none"> Revise si el filtro para pelusas está obstruido. Revise si el sistema de ventilación está restringido. Si este código de información permanece, comuníquese con un centro de servicio de Samsung.
tC5	La resistencia del termistor2 es muy baja o muy alta.	<ul style="list-style-type: none"> Revise si el filtro para pelusas está obstruido. Revise si el sistema de ventilación está restringido. Si este código de información permanece, comuníquese con un centro de servicio de Samsung.
dF	Interruptor de la puerta incorrecto.	Comuníquese con un centro de servicio de Samsung.

Si un código de información sigue apareciendo en la pantalla, comuníquese con un centro de servicio de Samsung.



Especificaciones

Tabla de indicaciones sobre telas

Los siguientes símbolos ofrecen indicaciones acerca de las prendas. La etiqueta de indicaciones de la prenda incluye símbolos para secado, blanqueado, planchado y limpieza en seco. El uso de símbolos garantiza la consistencia entre los fabricantes textiles de artículos nacionales e importados. Siga las indicaciones de la etiqueta para optimizar la vida útil de la prenda y reducir los problemas del lavado.

	Secar en secadora
--	-------------------

Normal

	Plancha permanente/Antiarrugas/ Control de arrugas
	Prendas suaves / delicadas

Ciclo de lavado

	Normal
	Plancha permanente/Antiarrugas/ Control de arrugas
	Prendas suaves / delicadas
	Lavado a mano

Instrucciones especiales

	Secar colgado/tender
	Colgar para que escurra
	Secar en posición horizontal

Temperatura del agua

•••	Caliente
••	Tibia
•	Fría

NOTA

La tabla de la temperatura del agua presenta las temperaturas del agua del lavado apropiadas para diversas prendas. El rango de temperatura es de 106-126 °F (41-52 °C) para Caliente, 84-106 °F (29-41 °C) para Tibia y 61-84 °F (16-29 °C) para Fría. (La temperatura del agua del lavado debe alcanzar un mínimo de 61 °F (16 °C) para que se active el detergente y se logre un lavado eficaz.)

Blanqueador

	Cualquier blanqueador (cuando sea necesario)
	Solo blanqueador sin cloro (protección del color) (si es necesario)

Secado con calor







	Alto
	Medio
	Bajo
	Cualquier calor
	Sin calor/aire

Temperaturas de secado con plancha o vapor






	Alto
	Medio
	Bajo



Símbolos de advertencia para el lavado

	No lavar
	No retorcer
	No usar lejía
	No secar en secadora
	Sin vapor (agregado a la plancha)
	No planchar

Limpiar en seco

	Limpiar en seco
	No limpiar en seco
	Secar colgado/tender
	Colgar para que escurra
	Secar en posición horizontal

Protección del medio ambiente

Este electrodoméstico se fabrica con materiales reciclables. Si decide desechar este electrodoméstico, siga la normativa local relacionada con la eliminación de desechos. Corte el cable de alimentación para que el electrodoméstico no pueda conectarse a una fuente de alimentación. Quite la puerta para que los animales y los niños pequeños no puedan quedar atrapados dentro del electrodoméstico.

Hoja de especificaciones

Tipo		Secadora de carga frontal
Capacidad (pies cúbicos)		4.0
Peso	lb (kg)	110 (50)
Potencia del calentador	Eléctrico (W)	2200
Consumo de potencia (W)		2500



GARANTÍA LIMITADA (ESTADOS UNIDOS)

SECADORA SAMSUNG

GARANTÍA LIMITADA AL COMPRADOR CONSUMIDOR ORIGINAL CON PRUEBA DE COMPRA

El presente producto de la marca SAMSUNG, tal como lo provee y distribuye SAMSUNG ELECTRONICS AMERICA, INC. (SAMSUNG) y lo entrega como nuevo, en su caja de cartón original al comprador o consumidor original, está garantizado por SAMSUNG contra defectos de fabricación de los materiales o la mano de obra durante el período limitado de la garantía, a partir de la fecha

original de compra, de:

un (1) año para todas las piezas y la mano de obra

La presente garantía limitada es válida únicamente para productos comprados y usados en Estados Unidos que fueron instalados, operados y mantenidos de acuerdo con las instrucciones adjuntas o provistas con el producto. Para recibir el servicio técnico en garantía, el comprador debe comunicarse con SAMSUNG en la dirección o el teléfono que figuran más abajo con el fin de que se determine el problema y los procedimientos del servicio. El servicio técnico de la garantía sólo puede ser prestado por un centro de servicio técnico autorizado de SAMSUNG. Para recibir el servicio técnico en garantía debe presentarse la factura original de compra fechada cuando así lo solicite SAMSUNG o el Centro de Servicio autorizado Samsung como prueba de compra.

Samsung brindará servicio técnico a domicilio dentro del territorio contiguo de Estados Unidos durante el período de garantía sin cargo, sujeto a la disponibilidad de los centros de servicio autorizados por SAMSUNG dentro de la zona geográfica del cliente. Si el servicio técnico a domicilio no está disponible, SAMSUNG puede, a su elección, optar por transportar el producto hasta y desde un centro de servicio técnico autorizado. Si el producto está ubicado en una zona en la que no se encuentra disponible ningún centro de servicio autorizado por SAMSUNG, usted podrá ser responsable del cargo por transporte o se le podrá requerir que entregue el producto a un centro de servicio autorizado por SAMSUNG para recibir asistencia técnica.

Para recibir el servicio técnico a domicilio, el producto no debe presentar obstrucciones y debe ser accesible para el agente del servicio técnico.

Durante el periodo de garantía aplicable, el producto se reparará o se reemplazará, o se devolverá el importe de compra, a la entera discreción de SAMSUNG. SAMSUNG podrá usar piezas nuevas o reacondicionadas para la reparación del producto, así como reemplazar el producto por un producto nuevo o reacondicionado. La vigencia de la garantía de las piezas y los productos reemplazados será por el período restante de la garantía original del producto o por un período de noventa (90) días, el que sea el más largo. Todas las piezas y los productos reemplazados son propiedad de SAMSUNG y deben ser devueltos a SAMSUNG.



La presente garantía limitada cubre defectos de fabricación de los materiales o la mano de obra encontrados durante el uso normal y doméstico de este producto y no cubrirá lo siguiente: daños que ocurran durante el envío, entrega e instalación y usos para los cuales el presente producto no fue destinado; daños causados por modificación o alteración no autorizada del producto; producto cuyos números de serie originales de fábrica fueron eliminados, desfigurados, alterados en algún modo o que no se puedan determinar fácilmente; daños cosméticos incluyendo rayones, hendiduras, abolladuras y otros daños al acabado del producto; daño causado por abuso o mal uso, plagas, accidente, incendio, inundación u otros casos fortuitos o de fuerza mayor; daño causado por el uso de equipo, utilidades, servicios, piezas, suministros, accesorios, aplicaciones, instalaciones, reparaciones, cableado externo o conectores no provistos ni autorizados por SAMSUNG; daño causado por línea eléctrica o voltaje incorrecto, fluctuaciones y sobretensión; daño causado por no operar y mantener el producto de acuerdo con las instrucciones; instrucción a domicilio acerca de cómo usar el producto; y servicio técnico para corregir una instalación que no cumpla con los códigos eléctricos o de plomería o corrección de cableado eléctrico o tuberías (es decir, cableado doméstico, fusibles o mangueras de entrada de agua). El costo de reparación o reemplazo bajo estas circunstancias excluidas será responsabilidad del cliente.

Las visitas de un proveedor de servicio técnico autorizado para explicar funciones, mantenimiento o instalación del producto no se cubren bajo esta garantía limitada. Comuníquese con Samsung al número que figura abajo para obtener ayuda con cualquiera de estos problemas.

EXCLUSIÓN DE GARANTÍAS IMPLÍCITAS

LAS GARANTÍAS IMPLÍCITAS, INCLUYENDO GARANTÍAS IMPLÍCITAS DE COMERCIABILIDAD O APTITUD PARA UN PROPÓSITO EN PARTICULAR, ESTÁN LIMITADAS A UN AÑO O AL PERIODO MÁS CORTO PERMITIDO POR LA LEY. Algunos estados no permiten limitaciones en cuanto al periodo de vigencia de una garantía implícita, de tal forma que las limitaciones o exclusiones mencionadas tal vez no se apliquen a usted en particular. Esta garantía le otorga derechos específicos, y además puede tener otros derechos que varían según el Estado en el que se encuentre.

LIMITACIÓN DE RECURSOS

EL ÚNICO Y EXCLUSIVO RECURSO ES LA REPARACIÓN DEL PRODUCTO, EL REEMPLAZO DEL PRODUCTO O LA DEVOLUCIÓN DEL IMPORTE DE COMPRA, A DISCRECIÓN DE SAMSUNG, CONFORME A ESTA GARANTÍA LIMITADA. SAMSUNG NO SERÁ RESPONSABLE POR DAÑOS ESPECIALES, IMPREVISTOS O DERIVADOS, INCLUYENDO ENTRE OTROS, TIEMPO FUERA DEL TRABAJO, HOTELES Y/O COMIDAS EN RESTAURANTES, GASTOS DE REMODELACIÓN, PÉRDIDAS DE INGRESOS O GANANCIAS, INCAPACIDAD DE GENERAR AHORROS U OTROS BENEFICIOS INDEPENDIENTEMENTE DE LA TEORÍA LEGAL EN LA QUE SE BASE EL RECLAMO, E INCLUSO SI SAMSUNG HA SIDO ADVERTIDA DE LA POSIBILIDAD DE DICHOS DAÑOS. Algunos estados no permiten la exclusión o la limitación de daños imprevistos o derivados, por lo que las limitaciones o exclusiones mencionadas tal vez no se apliquen a usted en particular. Esta garantía le otorga derechos específicos, y además puede tener otros derechos que varían según el Estado en el que se encuentre.



GARANTÍA LIMITADA (ESTADOS UNIDOS)

Español

SAMSUNG no garantiza el funcionamiento ininterrumpido o sin errores del producto. Ningún aval o garantía otorgados por otra persona, compañía o corporación con respecto al presente producto revestirá carácter vinculante para SAMSUNG.

Para recibir un servicio técnico de garantía, comuníquese con SAMSUNG a:

Samsung Electronics America, Inc.

85 Challenger Road

Ridgefield Park, NJ 07660

1-800-SAMSUNG (726-7864)

www.samsung.com/us/support



Garantía (CANADÁ)

SECADORA SAMSUNG

GARANTÍA LIMITADA PARA EL COMPRADOR ORIGINAL

El presente producto de la marca SAMSUNG, tal como lo provee y distribuye SAMSUNG ELECTRONICS CANADA, INC. (SAMSUNG) y lo entrega nuevo, en su embalaje de cartón original al comprador o consumidor original, está garantizado por SAMSUNG contra defectos de fabricación de los materiales y la mano de obra durante el período limitado de la garantía de:

- Un (1) año para las piezas y la mano de obra

La presente garantía limitada comienza en la fecha original de compra y es válida únicamente para productos comprados y usados en Canadá.

Para recibir el servicio técnico de la garantía, el comprador debe comunicarse con SAMSUNG con el fin de que se determine el problema y los procedimientos del servicio.

El servicio técnico de la garantía sólo puede ser prestado por un centro de servicio técnico autorizado de SAMSUNG.

Se debe presentar la factura de compra original como prueba de compra a SAMSUNG o al servicio técnico autorizado de SAMSUNG.

SAMSUNG prestará servicio técnico a domicilio durante el período de la garantía sin costo, sujeto a la disponibilidad dentro de Canadá.

El servicio técnico a domicilio no está disponible en todas las áreas.

Para recibir el servicio técnico a domicilio, el producto no debe presentar obstrucciones y debe ser accesible para el agente del servicio técnico.

Si el servicio técnico no está disponible, SAMSUNG puede optar por transportar el producto hasta y desde el servicio técnico autorizado.

SAMSUNG reparará, reemplazará el producto u ofrecerá un reembolso a su criterio y sin cargo adicional, tal como se establece en la presente garantía, con piezas o productos nuevos o reacondicionados si se comprueba que es defectuoso durante el período limitado de la garantía especificado anteriormente.

Todas las piezas y los productos reemplazados pasan a ser propiedad de SAMSUNG y deben ser devueltos a SAMSUNG.

Las piezas y los productos reemplazados asumen la garantía original que resta, o noventa (90) días, el período que sea el más prolongado.



Garantía (CANADÁ)

La presente garantía limitada cubre defectos de fabricación de los materiales y la mano de obra encontrados durante el uso normal y doméstico de este producto y no será válida para lo siguiente: daños que ocurran durante el envío; entrega e instalación; aplicaciones y usos para los cuales el presente producto no fue destinado; números de serie o producto alterados; daño cosmético o acabado exterior; accidentes, abuso, descuido, incendio, inundación, caída de rayos, u otros casos fortuitos o de fuerza mayor; uso de productos, equipo, sistemas, utilidades, servicios, piezas, suministros, accesorios, aplicaciones, instalaciones, reparaciones, cableado externo o conectores no provistos ni autorizados por SAMSUNG que dañen este producto o que acarreen problemas en el servicio; voltaje de la línea eléctrica incorrecto, fluctuaciones y sobretensión; ajustes del cliente e incumplimiento de lo establecido en el manual de instrucciones, instrucciones de mantenimiento y ambientales que están cubiertas y recomendadas en el manual de instrucciones; traslado y reinstalación del producto; problemas causados por plagas.

La presente garantía limitada no cubre problemas derivados de la corriente, el voltaje o el suministro eléctrico incorrectos, las bombillas de luz, los fusibles de la casa, el cableado de la casa, el costo del servicio técnico para recibir instrucciones o corregir errores en la instalación.

SAMSUNG no garantiza el funcionamiento ininterrumpido o sin errores del producto.

SALVO LO ESTABLECIDO EN LA PRESENTE GARANTÍA, NO EXISTEN GARANTÍAS SOBRE EL PRESENTE PRODUCTO, YA SEAN EXPRESAS O TÁCITAS, Y SAMSUNG DESCONOCE TODAS LAS GARANTÍAS QUE INCLUYEN, AUNQUE NO EN CARÁCTER TAXATIVO, CUALQUIER GARANTÍA TÁCITA DE QUE EL PRODUCTO SE ENCUENTRA EN CONDICIONES APTAS PARA LA VENTA, DE DEFRAUDACIÓN DE DERECHOS O DE QUE EL PRODUCTO SE ADECUA A LOS FINES ESPECÍFICOS PARA LOS CUALES SE ADQUIERE.

NINGÚN AVAL O GARANTÍA OTORGADOS POR PERSONA, COMPAÑÍA O CORPORACIÓN ALGUNA CON RESPECTO AL PRESENTE PRODUCTO REVESTIRÁ CARÁCTER VINCULANTE PARA SAMSUNG.

SAMSUNG NO SERÁ RESPONSABLE POR PÉRDIDA DE INGRESOS O LUCRO CESANTE, IMPOSIBILIDAD DE GENERAR AHORROS U OBTENER OTROS BENEFICIOS, O CUALQUIER DAÑO DERIVADO DE CIRCUNSTANCIAS ESPECIALES, DAÑO IMPREVISTO O DERIVADO CAUSADO POR EL USO, USO INCORRECTO, O INCAPACIDAD PARA USAR EL PRESENTE PRODUCTO, INDEPENDIENTEMENTE DE LA TEORÍA LEGAL EN QUE SE FUNDE EL RECLAMO Y AUN CUANDO SE LE HAYA NOTIFICADO A SAMSUNG DE LA POSIBILIDAD DE TALES DAÑOS.

NINGÚN RESARCIMIENTO DE NINGUNA ÍNDOLE CONTRA SAMSUNG SUPERARÁ EL MONTO DE COMPRA DEL PRODUCTO VENDIDO POR SAMSUNG Y CAUSANTE DEL PRESUNTO DAÑO.

SIN LIMITAR LO PRECEDENTE, EL COMPRADOR ASUME TODO EL RIESGO Y LA RESPONSABILIDAD POR PÉRDIDA, DAÑO O LESIÓN AL COMPRADOR Y A LOS BIENES DEL COMPRADOR Y A TERCEROS Y A SUS BIENES DERIVADOS DEL USO, USO INCORRECTO O INCAPACIDAD PARA USAR EL PRESENTE PRODUCTO.

LA PRESENTE GARANTÍA LIMITADA NO SE EXTENDERÁ A NINGUNA PERSONA DISTINTA DEL COMPRADOR ORIGINAL DEL PRESENTE PRODUCTO, ES INTRANSFERIBLE Y ESTABLECE SU EXCLUSIVA REPARACIÓN.

Algunas provincias no permiten limitaciones en cuanto al plazo de una garantía implícita, o la exclusión o limitación de daños imprevistos o derivados, por lo que las limitaciones o exclusiones antedichas pueden no aplicarse en su caso.



Esta garantía le otorga derechos específicos, y además puede tener otros derechos que varían según la provincia en la que se encuentre.

Para recibir un servicio técnico de garantía, comuníquese con SAMSUNG a:

Samsung Electronics Canada Inc.

2050 Derry Road West,

Mississauga, Ontario L5N 0B9 Canada

1-800-SAMSUNG (726-7864)

www.samsung.com/ca/support (English)

www.samsung.com/ca_fr/support (French)

Las visitas de un Ingeniero de reparaciones para explicar funciones, el mantenimiento o la instalación no están cubiertas por la garantía.

Póngase en contacto con el centro de llamadas Samsung al número anterior para que le asesoren.



Scan the QR code* or visit
www.samsung.com/spsn
to view our helpful
How-to Videos and Live Shows

*Requires reader to be installed on your smartphone

Scan this with your smartphone



Este producto califica para ENERGY STAR en
la configuración predeterminada de fábrica
"Normal".

Si cambia la configuración predeterminada de
fábrica o habilita otras funciones, el consumo de
energía podría aumentary superar los límites de
calificación para ENERGY STAR.

¿TIENE PREGUNTAS O COMENTARIOS?

PAÍS	LLAME A	O VISITE NUESTRA PÁGINA WEB
U.S.A	1-800-SAMSUNG (726-7864)	www.samsung.com/us/support
CANADA	1-800-SAMSUNG(726-7864)	www.samsung.com/ca/support (English) www.samsung.com/ca_fr/support (French)