

# DV56H9100GG

Samsung Front-Load Gas Dryer

## 9.5 cu. ft. Capacity DOE

### Features

- Steam Drying Technology:
  - Steam Refresh
  - Steam Wrinkle Away
- Vent Sensor™
- Sensor Dry – Detects Moisture and Adjusts Drying Time
- Smart Care
- Stainless Steel Drum
- 15 Preset Drying Cycles
- 11 Options
- 5 Temperature Settings
- 3-Way Venting
- Drying Rack
- Dryer Drum Light
- Reversible See-Through Door



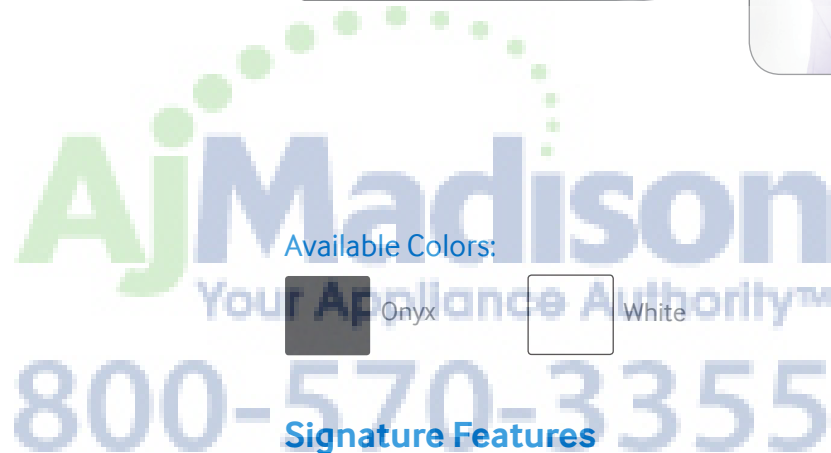
9.5 cu. ft. Capacity



Steam Dry

### Convenience

- Child Lock
- My Cycle Option
- Lint Filter Indicator



Available Colors:



Onyx



White

### Signature Features

#### 9.5 CU. FT. CAPACITY

- 3X the laundry, 1/3 of the time.\*
- The world's largest dryer.
- Our biggest capacity lets you dry 4 laundry baskets in a single load.\*\*

\*Based on 3 standard loads of laundry (based on baskets) at 60 minutes each total clean time is equal to 180 minutes which is equivalent to 1 load in the 9000.

\*\*Based on an 8-lb. load of laundry.

#### STEAM DRY

- Steam away wrinkles.
- Helps remove odors and freshen clothes.
- Spend less time ironing.
- Fewer trips to the dry cleaner.

#### VENT SENSOR™

- Duct blockage sensing.
- Detects problems and reminds you when to clean your vent to avoid lint blockages.
- Cleaning vents regularly improves dryer performance.

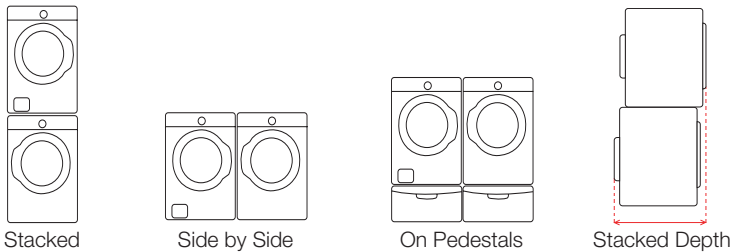


**SAMSUNG**

# DV56H9100GG

Samsung Front-Load Gas Dryer

## Installing Options



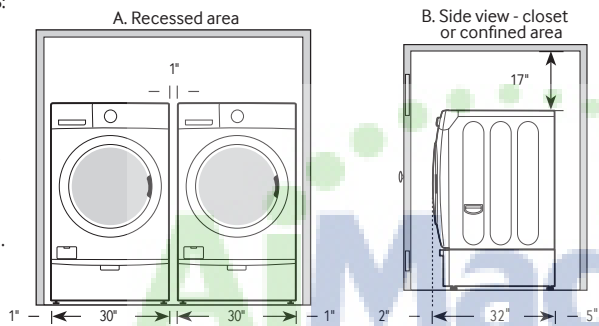
## Installing Your Dryer

### 1. Alcove or closet installation

MINIMUM CLEARANCES FOR CLOSET AND ALCOVE INSTALLATIONS:

Sides – 1"  
Rear – 5<sup>7</sup>/<sub>8</sub>"  
Top – 17"  
Closet Front – 2"

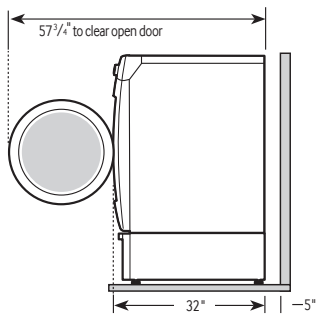
If the washer and dryer are installed together, the closet front must have at least a 72" unobstructed air opening. Your washer alone does not require a specific air opening.



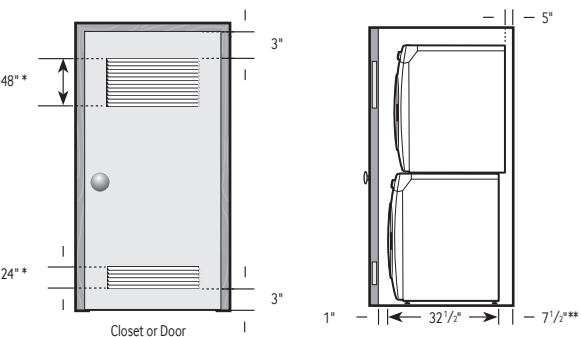
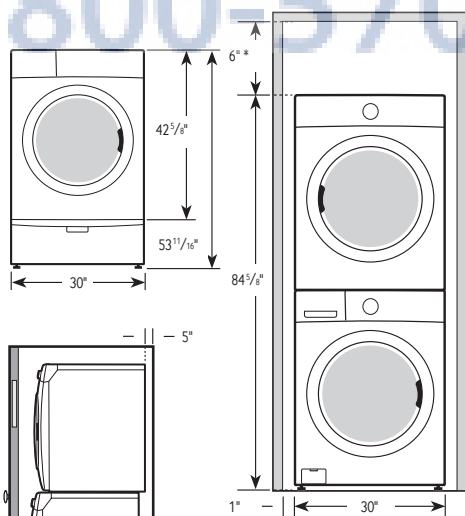
## Dimensions

### 2. With optional pedestal base or stacking kit

Required Dimensions for Installation with Pedestal



Required Dimensions for Installation with Stacking Kit



\*Required spacing.  
\*\*External exhaust elbow requires additional space.

## 9.5 cu. ft. Capacity DOE

### 3-Way Venting

### 15 Preset Dry Cycles:

Steam Refresh, Steam Wrinkle Away, Eco Normal, Normal, Heavy Duty, Towels, Permanent Press, Active Wear, Bedding, Delicates, Wool, Sanitize, Time Dry, Air Fluff, Quick Dry

### 11 Options:

Mixed Load Bell, Wrinkle Prevent, Anti-Static, Small Load Care, My Cycle, Rack Dry, Adjust Time, Sound, Child Lock, Smart Care, Drum Light

### 5 Temperature Settings:

High, Medium, Medium Low, Low, Extra Low

### 5 Dry Levels:

Very Dry, More Dry, Normal Dry, Less Dry, Damp Dry

### 2 Signal Level Settings:

On/Off

### Warranty

One (1) Year Parts and Labor  
Two (2) Years Control Board  
Three (3) Years Stainless Steel Drum  
Ten (10) Years Direct Drive Motor

### Product Dimensions & Weight (WxHxD)

Dimensions: 30" x 42<sup>5</sup>/<sub>8</sub>" x 32"

Weight: 159 lbs

### Shipping Dimensions & Weight (WxHxD)

Dimensions: 31<sup>7</sup>/<sub>8</sub>" x 46<sup>1</sup>/<sub>4</sub>" x 33<sup>5</sup>/<sub>8</sub>"

Weight: 170 lbs

Gas	Model #	UPC Code
Onyx	DV56H9100GG	887276857916
White	DV56H9100GW	887276857923

Electric	Model #	UPC Code
Onyx	DV56H9100EG	887276857886
White	DV56H9100EW	887276857909

### Matching Washer

Onyx	WF56H9100AG	887276963105
White	WF56H9100AW	887276963112

**SAMSUNG**

Actual color may vary. Design, specifications, and color availability are subject to change without notice. Non-metric weights and measurements are approximate.

©2014 Samsung Electronics America, Inc. 85 Challenger Road, Ridgefield Park, NJ 07660. Tel: 800-SAMSUNG. samsung.com. Samsung is a registered trademark of Samsung Electronics Co. Ltd.