

# DV56H9000GP

Samsung Top-Load Gas Dryer

## 9.5 cu. ft. Capacity DOE

### Features

- Largest Capacity
- Steam Drying Technology:
  - Steam Refresh
  - Steam Wrinkle Away
- Vent Sensor™
- Smart Care
- Stainless Steel Drum
- Interior Drum Light
- 15 Preset Drying Cycles
- 11 Options
- 5 Temperature Settings
- 3-Way Venting
- Sensor Dry – Detects Moisture and Adjusts Drying Time
- Drying Rack
- Reversible See-Through Door

### Convenience

- Child Lock
- Filter Check Indicator



9.5 cu. ft. Capacity



Steam Dry

### Available Colors



Platinum



White

**AjMadison**  
Your Appliance Authority™  
800-570-3355

### Signature Features

#### 9.5 CU. FT. CAPACITY

- 3X the laundry, 1/3 of the time.\*
- The world's largest dryer.
- Our biggest capacity lets you dry 4 laundry baskets in a single load.\*\*

\*Based on 3 standard loads of laundry (based on baskets) at 60 minutes each, total clean time is equal to 180 minutes which is equivalent to 1 load in the 9000.

\*\*Based on USDOE/EPA listing.

#### STEAM DRY

- Steam away wrinkles.
- Helps remove odors and freshen clothes.
- Spend less time ironing.
- Fewer trips to the dry cleaner.

#### VENT SENSOR™

- Duct blockage sensing.
- Detects problems and reminds you when to clean your vent to avoid lint blockages.
- Cleaning vents regularly improves dryer performance.

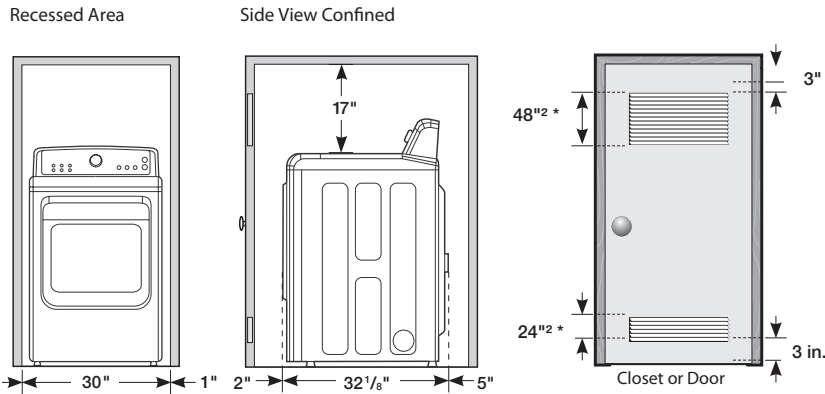


**SAMSUNG**

# DV56H9000GP

Samsung Top-Load Gas Dryer

## Installing Your Dryer



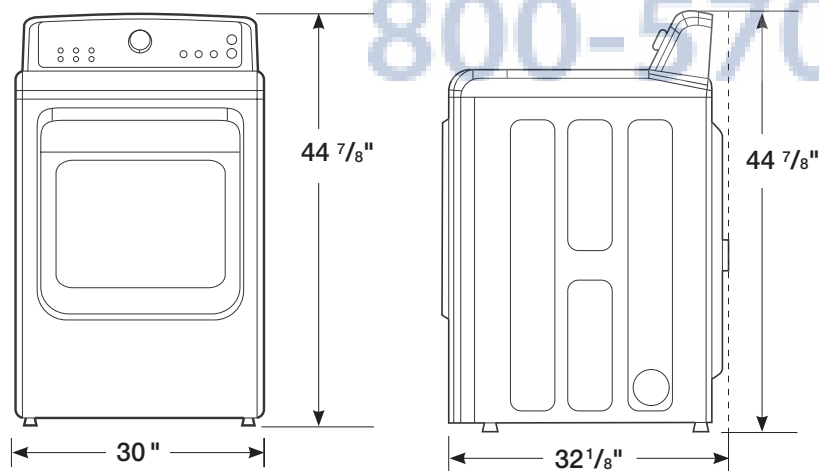
### Minimum clearances for closets and alcove:

Sides - 1"  
Top - 17"  
Rear - 5"  
Closet Front - 2"

If the washer and dryer are installed together, the closet front must have at least a 72 in<sup>2</sup> (465cm<sup>2</sup>) unobstructed air opening. Your washer alone does not require a specific air opening.

\* Required spacing  
\*\* External exhaust elbow requires additional space.

## Dimensions



## 9.5 cu. ft. Capacity DOE

### 3-Way Venting

### 15 Preset Dry Cycles:

Steam Refresh, Steam Wrinkle Away, Normal, Eco Normal, Heavy Duty, Towels, Permanent Press, Bedding, Delicates, Wool, Active Wear, Sanitize, Time Dry, Air Fluff, Quick Dry

### 11 Options:

Mixed Load Bell, Wrinkle Prevent, Rack Dry, Adjust Time, My Cycle, Child Lock, Sound On/Off, Anti-Static, Small Load Care, Smart Care, Drum Light

### 5 Temperature Settings:

High, Medium, Medium Low, Low, Extra Low

### 5 Dry Levels:

Very Dry, More Dry, Normal Dry, Less Dry, Damp Dry

### 2 Signal Level Settings:

On/Off

### Warranty

One (1) Year All Parts and Labor  
Two (2) Years Control Board

### Product Dimensions & Weight (WxHxD)

Dimensions: 30" x 44 7/8" x 32 1/8"  
Weight: 148 lbs

### Shipping Dimensions & Weight (WxHxD)

Dimensions: 31 7/8" x 47 3/16" x 33 1/2"  
Weight: 156 lbs

Gas	Model #	UPC Code
Platinum	DV56H9000GP	887276963488
White	DV56H9000GW	887276963495
Electric	Model #	UPC Code
Platinum	DV56H9000EP	887276963457
White	DV56H9000EW	887276963471

### Matching Washer

Platinum	WA56H9000AP	887276963501
White	WA56H9000AW	887276963518

**SAMSUNG**

Actual color may vary. Design, specifications, and color availability are subject to change without notice. Non-metric weights and measurements are approximate.

©2014 Samsung Electronics America, Inc. 85 Challenger Road, Ridgefield Park, NJ 07660. Tel: 800-SAMSUNG. samsung.com. Samsung is a registered trademark of Samsung Electronics Co. Ltd.