

# DV50K8600EV

Samsung Top-Load Electric Dryer

## 7.4 cu. ft. Capacity DOE

### Features

- ENERGY STAR® 2016 Certified – Meets strict energy-consumption requirements.
- Multi-Steam Technology:
  - Steam Refresh
  - Steam Wrinkle Away
  - Steam Sanitize
- Vent Sensor
- Eco Dry
- Sensor Dry
- Smart Care
- Stainless Steel Drum
- Interior Drum Light
- 12 Preset Drying Cycles
- 11 Options
- 5 Temperature Settings
- 4-Way Venting

### Convenience

- Child Lock
- Filter Check Indicator



Multi-Steam



Smart Care

### Available Colors:



Black Stainless Steel  
(shown)



White

## Signature Features

### ENERGY STAR® 2015 CERTIFIED

- Meets strict energy-consumption requirements.

### MULTI-STEAM TECHNOLOGY

- Helps remove wrinkles and odors, and freshens clothes so you can spend less time ironing and less money at the dry cleaners.

### VENT SENSOR

- Detects duct blockages and reminds you to clean your vent.
- Conveniently allows you to forward these alerts to your smartphone.

### ECO DRY

- Saves up to \$4,500 over the lifetime of the dryer.<sup>1</sup>
- Offers superior drying with up to 25% less energy.<sup>2</sup>

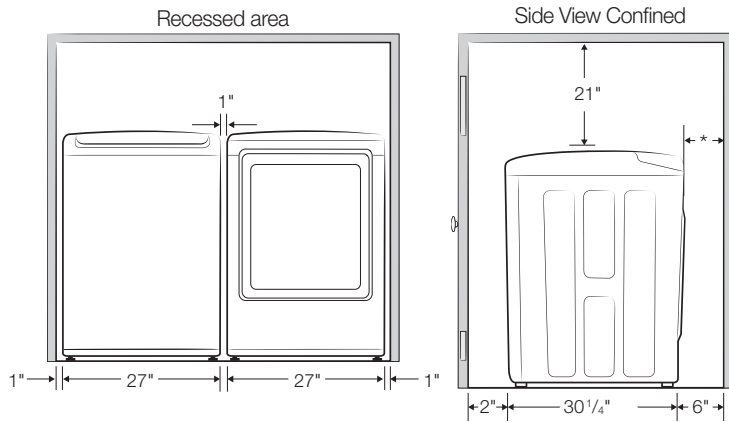
<sup>1</sup> Compared to pre-2004 conventional top load.

<sup>2</sup> Based on U.S. Department of Energy standard test. Electric dryer only.

# DV50K8600EV

Samsung Top-Load Electric Dryer

## Installation Specifications

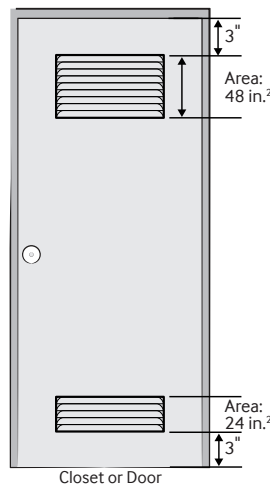


### Minimum clearances for closets and alcoves:

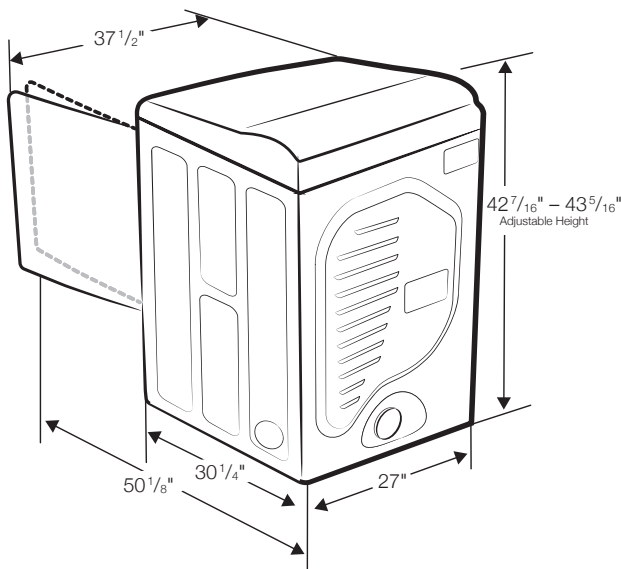
- Sides – 1"
- Top – 21"
- Rear – 6"
- Closet Front – 2"

If the washer and dryer are installed together, the closet front must have at least a 72 in.<sup>2</sup> unobstructed air opening. Your washer alone does not require a specific air opening.

\*External exhaust elbow may require additional space.



## Dimensions



## 7.4 cu. ft. Capacity DOE

### 4-Way Venting

### 12 Preset Dry Cycles:

Steam Refresh, Steam Wrinkle Away, Steam Sanitize, Normal, Heavy Duty, Permanent Press, Bedding, Delicates, Active Wear, Time Dry, Air Fluff, Quick Dry

### 11 Options:

Mixed Load Bell, Wrinkle Prevent, Adjust Time (up), Adjust Time (down), My Cycle, Child Lock, Sound On/Off, Anti-Static, Eco Dry, Smart Care, Drum Light

### 5 Temperature Settings:

High, Medium, Medium Low, Low, Extra Low

### 5 Dry Levels:

Very Dry, More Dry, Normal Dry, Less Dry, Damp Dry

### 2 Signal Level Settings:

On/Off

### Warranty

One (1) Year Parts and Labor

One (1) Year Control Board

### Product Dimensions & Weight (WxHxD)

Dimensions: 27" x 42<sup>7</sup>/<sub>16</sub>" x 30<sup>1</sup>/<sub>4</sub>"

Weight: 125.7 lbs

### Shipping Dimensions & Weight (WxHxD)

Dimensions: 29<sup>9</sup>/<sub>16</sub>" x 45<sup>5</sup>/<sub>8</sub>" x 31<sup>3</sup>/<sub>16</sub>"

Weight: 132.3 lbs

Electric	Model#	UPC Code
Black Stainless	DV50K8600EV	887276145938
White	DV50K8600EW	887276132679
Gas		
Black Stainless	DV50K8600GV	887276145952
White	DV50K8600GW	887276132693
Matching Washer		
Black Stainless	WA50K8600AV	887276145969
White	WA50K8600AW	887276126937
Optional Side Vent Kit		
Sold separately	DV-2A/XAA	887276146416

**SAMSUNG**

Actual color may vary. Design, specifications, and color availability are subject to change without notice. Non-metric weights and measurements are approximate.

©2015 Samsung Electronics America, Inc. 85 Challenger Road, Ridgefield Park, NJ 07660. Tel: 800-SAMSUNG. samsung.com. Samsung is a registered trademark of Samsung Electronics Co. Ltd.