



# DV456GWHDSU

## 7.3 cu. ft. Capacity Gas Top Loading Dryer

### Features

- 7.3 cu. ft. Capacity
- 11 Preset Drying Cycles
- 7 Options
- 4 Temperature Settings
- 3 Way Venting

### Convenience

- Sensor Dry – Detects Moisture and Adjusts Time
- Dryer Drum Light
- Child Lock
- Door Safety
- Lint Filter Indicator
- Remaining Time Display
- Adjustable End-of-Cycle Signal



11 Cycles



7 Options

**AirMadison**  
Your Appliance Authority  
800-570-3355

### Signature Features

#### Available Colors



Platinum (shown)



Neat White

#### Smart Care

##### Convenient troubleshooting

Perform a quick diagnosis and get access to troubleshooting options on your smartphone.\*\*

#### Sensor Dry

##### For the perfect dry every time

Detects the moisture level in the load and adjusts the drying time to save time and money.

#### Wrinkle Prevent Option

##### to reduce ironing time

Intermittently tumbles clothes at the end of the drying cycle to help prevent wrinkles from setting in.



Ranked **“Highest in Customer Satisfaction with Clothes Dryers”** by J.D. Power and Associates.\*

\* Samsung received the highest numerical score for clothes washers (2009-2010) and dryers (2008-2010) in the proprietary J.D. Power and Associates Laundry Appliance Studies<sup>SM</sup>. 2010 study based on 10,344 total responses measuring 17 brands and measures opinions of consumers who purchased their washer or dryer from a retail store or their new-home builder during the previous 24 months. Proprietary study results are based on experiences and perceptions of consumers surveyed in March-April 2010. Your experiences may vary. Visit [jdpower.com](http://jdpower.com).

\*\*Available for iPhone 4/4S and Galaxy S1/S2.



# DV456GWHDSU

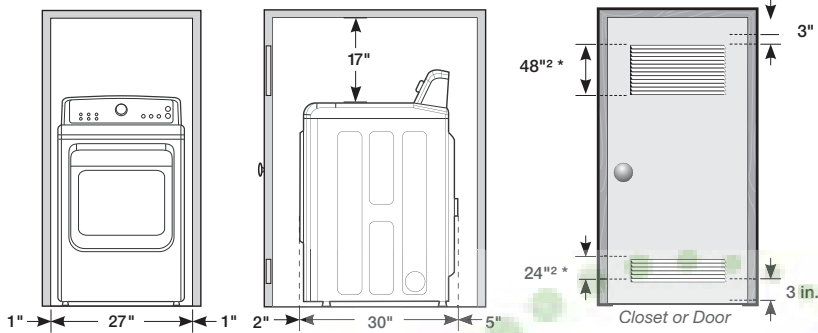
7.3 cu. ft. Capacity Gas Top Loading Dryer

## Installing your dryer

### Alcove or closet installation

Recessed Area

Side View Confined



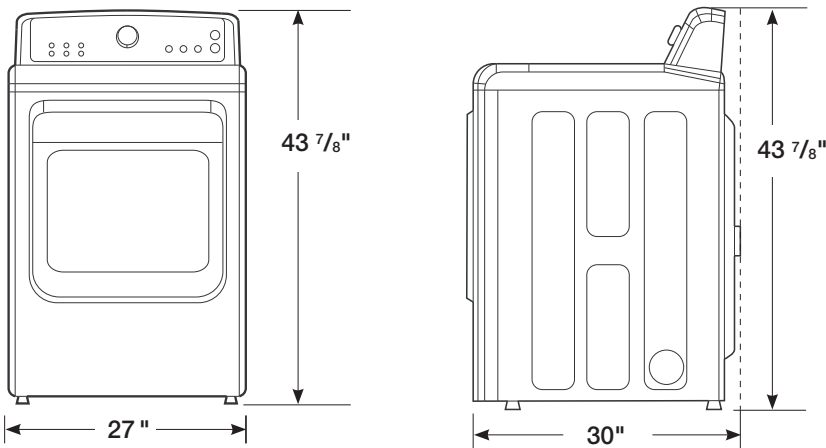
### Minimum clearances for closets and alcove:

- Sides - 1"
- Top - 17"
- Rear - 5"
- Closet Front - 2"

If the washer and dryer are installed together, the closet front must have at least a 72 in<sup>2</sup> (465cm<sup>2</sup>) unobstructed air opening. Your washer alone does not require a specific air opening.

\* Required spacing  
 \*\* External exhaust elbow requires additional space.

## Dimensions



### Fabric Care

#### 11 Preset Dry Cycles

Normal, Heavy Duty, Towels, Permanent Press, Bedding, Delicates, Sanitize, Time Dry, Air Fluff, Quick Dry, Wrinkle Release

#### 7 Options

Mixed Load Bell, Wrinkle-prevent, Adjust Time, Child Lock, Signal On/Off button, Drum Light, My Cycle

#### 4 Temperature Settings

High, Medium, Medium Low, Low

#### 4 Dry Levels

Very Dry, More Dry, Normal Dry, Damp Dry

#### 2 Signal Sound Levels

On, Off

### Accessories:

Vent Kit: DV-1A

### Warranty

One (1) Year All Parts and Labor  
 Two (2) Years Control Board

### Product Dimensions + Weight

Dimensions: (WxHxD) 27" x 43 7/8" x 30"  
 Weight: 125.6 lbs / 57 kg

### Shipping Dimensions + Weight

Dimensions: (WxHxD) 29 1/2" x 46 1/2" x 31 1/8"  
 Weight: 134.4 lbs / 61 kg

### Color

Stainless Steel	DV456GWHDSU	036725590526
Neat White	DV456GWHDWDR	036725590472

### Model #

### UPC Code

### Matching Washer

Stainless Steel	WA456DRHDSU	036725590502
Neat White	WA456DRHDWR	036725590458