

# DV42H5400EF

Samsung Front-Load Electric Dryer

7.5 cu. ft. Capacity DOE

## Features

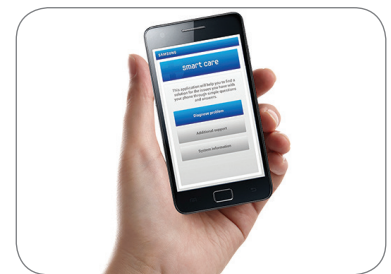
- Steam Drying Technology:
  - Steam Refresh
  - Steam Wrinkle Away
- Smart Care
- 13 Preset Drying Cycles
- 11 Options
- 5 Temperature Settings
- 4-Way Venting
- Sensor Dry – Detects Moisture and Adjusts Drying Time
- Drying Rack
- Dryer Drum Light
- Reversible See-Through Door

## Convenience

- Child Lock
- My Cycle Option
- Lint Filter Indicator



Steam Dry



Smart Care

## Available Colors:



Merlot



White

## Signature Features

### STEAM DRY

- Steam away wrinkles.
- Helps remove odors and freshen clothes.
- Spend less time ironing.
- Fewer trips to the dry cleaner.

### SMART CARE

- Troubleshoot with your smartphone.
- Perform a quick diagnosis of your washer and dryer right from your smartphone.\*

\*Available for iPhone 4/4S/5/5S and Galaxy S1/S2/S3/S4 NOTE/NOTE2.

### SENSOR DRY

- Automatically adjusts drying time by sensing moisture so your clothes don't over or under dry.



Ranked **"Highest in Customer Satisfaction with Clothes Dryers"**  
by J.D. Power and Associates.

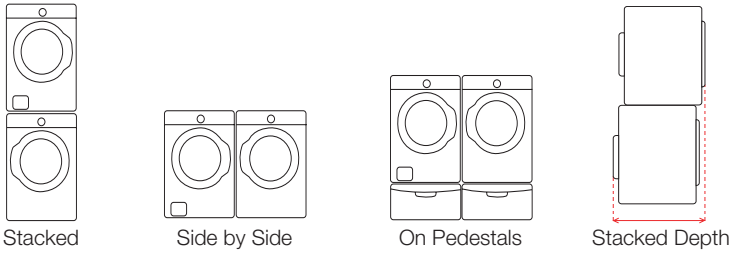
(5 Consecutive Years)

**SAMSUNG**

# DV42H5400EF

Samsung Front-Load Electric Dryer

## Installing Options



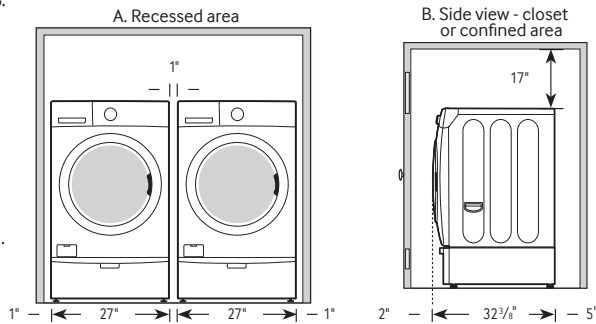
## Installing Your Dryer

### 1. Alcove or closet installation

MINIMUM CLEARANCES FOR CLOSET AND ALCOVE INSTALLATIONS:

Sides – 1"  
Rear – 5<sup>7</sup>/<sub>8</sub>"  
Top – 17"  
Closet Front – 2"

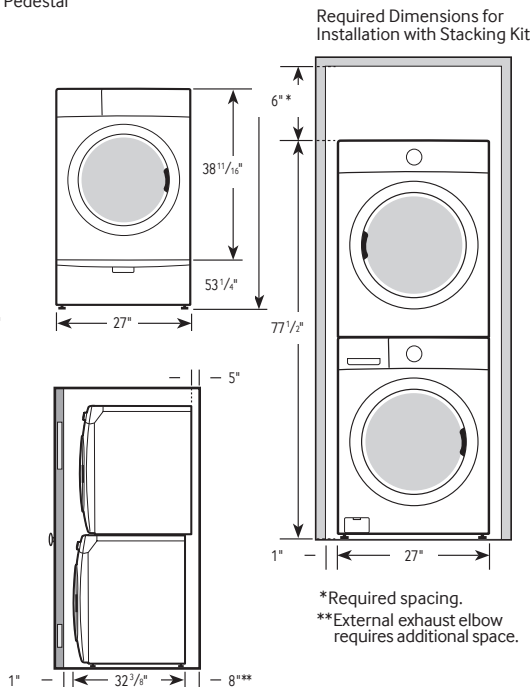
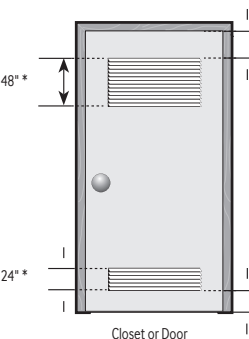
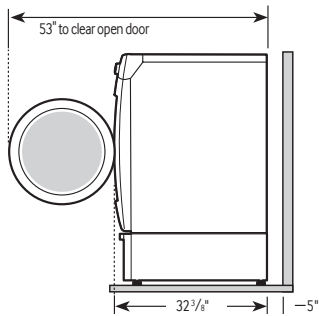
If the washer and dryer are installed together, the closet front must have at least a 72" unobstructed air opening. Your washer alone does not require a specific air opening.



## Dimensions

### 2. With optional pedestal base or stacking kit

Required Dimensions for Installation with Pedestal



## 7.5 cu. ft. Capacity DOE

### 4-Way Venting

### 13 Preset Dry Cycles:

Steam Refresh, Steam Wrinkle Away, Normal, Heavy Duty, Permanent Press, Active Wear, Bedding, Delicates, Wool, Sanitize, Time Dry, Air Fluff, Quick Dry

### 11 Options:

Mixed Load Bell, Wrinkle Prevent, Anti Static, Small Load Care, My Cycle, Rack Dry, Adjust Time, Sound, Child Lock, Smart Care, Drum Light

### 5 Temperature Settings:

High, Medium, Medium Low, Low, Extra Low

### 5 Dry Levels:

Very Dry, More Dry, Normal Dry, Less Dry, Damp Dry

### 2 Signal Level Settings:

On/Off

### Warranty

One (1) Year Parts and Labor  
Two (2) Years Control Board  
Three (3) Years Stainless Steel Drum  
Ten (10) Years Direct Drive Motor

### Product Dimensions & Weight (WxHxD)

Dimensions: 27" x 38<sup>11</sup>/<sub>16</sub>" x 32<sup>3</sup>/<sub>8</sub>"

Weight: 126 lbs

### Shipping Dimensions & Weight (WxHxD)

Dimensions: 29<sup>1</sup>/<sub>4</sub>" x 42<sup>1</sup>/<sub>4</sub>" x 33<sup>1</sup>/<sub>2</sub>"

Weight: 134 lbs

### Electric

Model #	UPC Code
Merlot DV42H5400EF	887276963266
White DV42H5400EW	887276963273

### Gas

Model #	UPC Code
Merlot DV42H5400GF	887276963280
White DV42H5400GW	887276963297

### Matching Washer

Model #	UPC Code
Merlot WF42H5400AF	887276963044
White WF42H5400AW	887276963099

Actual color may vary. Design, specifications, and color availability are subject to change without notice. Non-metric weights and measurements are approximate.

**SAMSUNG**

Samsung received the highest numerical score for clothes washers (2009-2012) and dryers (2008-2012) in the proprietary J.D. Power and Associates Laundry Appliance Studies. SM 2012 study based on 9,339 total responses measuring 12 brands, and measures opinions of consumers about their washer and dryer obtained new in the past 24 months. Proprietary study results are based on experiences and perceptions of consumers surveyed in January-February 2012. Your experiences may vary. Visit [jdpower.com](http://jdpower.com).

©2014 Samsung Electronics America, Inc. 85 Challenger Road, Ridgefield Park, NJ 07660. Tel: 800-SAMSUNG. [samsung.com](http://samsung.com). Samsung is a registered trademark of Samsung Electronics Co. Ltd.