



# DV400EWHDR

7.2 cu. ft. Capacity Electric Top Loading Dryer

## Features

- 7.2 cu. ft. Capacity
- 9 Preset Drying Cycles
- 5 Options
- 3 Temperature Settings
- 4 Way Venting

## Convenience

- Sensor Dry – Detects Moisture and Adjusts Time
- Child Lock
- Lint Filter Indicator
- Remaining Time Display
- Adjustable End-of-Cycle Signal



9 Cycles



5 Options

**Aj Madison**  
Your Appliance Authority™  
800-570-3355

## Signature Features

### Available Colors



Neat White (shown)

### Sanitize Cycle

Peace of mind with NSF® certified sanitization cycle. Eliminates 99.9% of household germs from laundry.

### Sensor Dry A perfect dry every time

Automatically adjusts drying time by sensing moisture so your clothes are never over or under dried.

### Wrinkle Prevent Option to reduce ironing time

Intermittently tumbles clothes at the end of the drying cycle to help prevent wrinkles from setting in.



Ranked **“Highest in Customer Satisfaction with Clothes Dryers”** by J.D. Power and Associates.\*

\* Samsung received the highest numerical score for clothes washers (2009-2010) and dryers (2008-2010) in the proprietary J.D. Power and Associates Laundry Appliance Studies™. 2010 study based on 10,344 total responses measuring 17 brands and measures opinions of consumers who purchased their washer or dryer from a retail store or their new-home builder during the previous 24 months. Proprietary study results are based on experiences and perceptions of consumers surveyed in March-April 2010. Your experiences may vary. Visit [jdpower.com](http://jdpower.com).



# DV400EWHDR

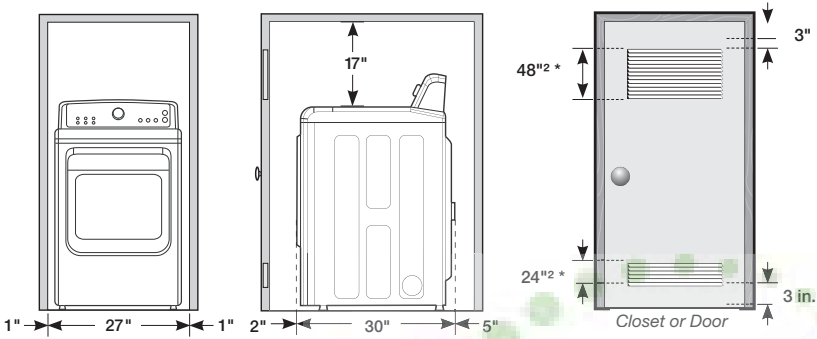
7.2 cu. ft. Capacity Electric Top Loading Dryer

## Installing your dryer

### Alcove or closet installation

Recessed Area

Side View Confined



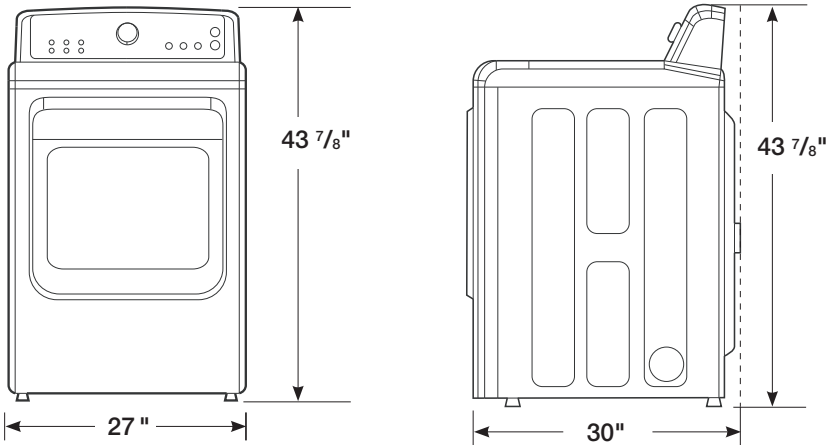
### Minimum clearances for closets and alcove:

- Sides - 1"
- Top - 17"
- Rear - 5"
- Closet Front - 2"

If the washer and dryer are installed together, the closet front must have at least a 72 in<sup>2</sup> (465cm<sup>2</sup>) unobstructed air opening. Your washer alone does not require a specific air opening.

\* Required spacing  
 \*\* External exhaust elbow requires additional space.

## Dimensions



### Fabric Care

#### 9 Preset Dry Cycles

Normal, Heavy Duty, Permanent Press, Bedding, Delicates, Sanitize, Time Dry, Quick Dry, Wrinkle Release

#### 5 Options

Wrinkle-prevent, Adjust Time, Child Lock, Signal On/Off button, My Cycle

#### 3 Temperature Settings

High, Medium, Low

#### 4 Dry Levels

Very Dry, More Dry, Normal Dry, Damp Dry

#### 2 Signal Sound Levels

On, Off

### Accessories:

Vent Kit: DV-1A

### Warranty

- One (1) Year All Parts and Labor
- Two (2) Years Control Board

### Product Dimensions + Weight

Dimensions: (WxHxD) 27" x 43 7/8" x 30"  
 Weight: 125.6 lbs / 57 kg

### Shipping Dimensions + Weight

Dimensions: (WxHxD) 29 1/2" x 46 1/2" x 31 1/8"  
 Weight: 134.4 lbs / 61 kg

Color	Model #	UPC Code
Neat White	DV400EWHDR	036725590434

Matching Washer	Model #	UPC Code
Neat White	WA400PJHWR	036725590427

Actual color may vary. Design, specifications, and color availability are subject to change without notice. Non-metric weights and measurements are approximate.  
 ©2012 Samsung Electronics America, Inc. 85 Challenger Road Ridgefield Park, NJ 07660. Tel: 800-SAMSUNG www.samsung.com. Samsung is a registered trademark of Samsung Electronics Co. Ltd.