

Whirlpool® Undercounter Dishwasher

PRODUCT MODEL NUMBERS

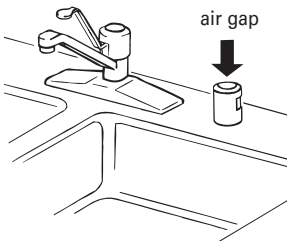
DU810SWP DU850SWP
DU811SWP

Electrical: 120-volt, 60 Hz, AC-only, 15 or 20 amp, fused electrical supply. Use copper wire only. A time-delay fuse or circuit breaker and separate circuit is recommended.

Water: A hot water line with 20-120 psi (138-862 kPa) water pressure. Water temperature must be 120°F (49°C) at dishwasher. Use 3/8" O.D. copper tubing with compression fitting or flexible braided fill line (1/2" minimum plastic tubing is optional but not recommended). Use a 3/8" compression x 3/4" hose fitting to connect to water inlet valve. Do not solder within 6" (15.2 cm) from water inlet valve.

Drain: A new drain hose is supplied with your dishwasher. If this is not long enough, use a new drain hose with a maximum length of 12' (3.7 m) (Part Number 3385556) that meets all current AHAM/IAPMO test standards, is resistant to heat and detergent, and fits the 1" (2.5 cm) drain connector of the dishwasher.

Make sure to connect the drain hose to waste tee or disposer inlet above drain trap in house plumbing and 20" (50.8 cm) minimum above the floor. It is



recommended that the drain hose either be looped up and securely fastened to the underside of the counter, or be connected to an air gap.

Make sure to use an air gap if the drain hose is connected to house plumbing lower than 20" (50.8 cm) above subfloor or floor. Use 1/2" (1.3 cm) minimum I.D. drain line fittings.

If required, the air gap should be installed in accordance with the air gap installation instructions. When you are connecting the air gap a rubber hose (not provided) will be needed to connect to the waste tee or disposer inlet.

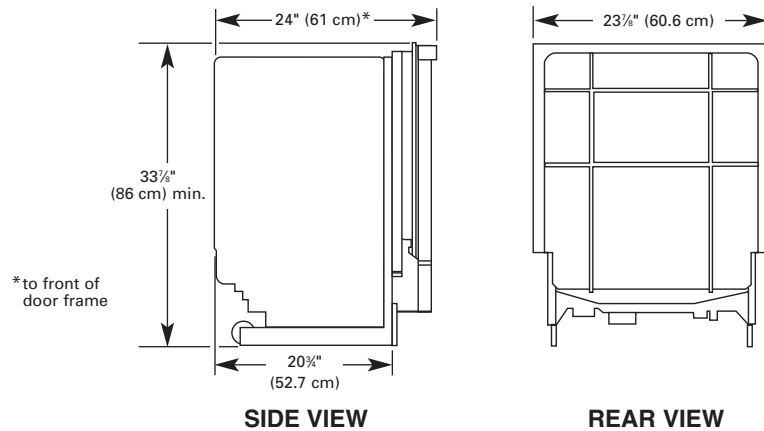
Corner location: Requires a 2" (5.1 cm) minimum clearance between the side of the dishwasher door and wall or cabinet.

A side panel kit is available from your dealer for installing your dishwasher at end of cabinet.

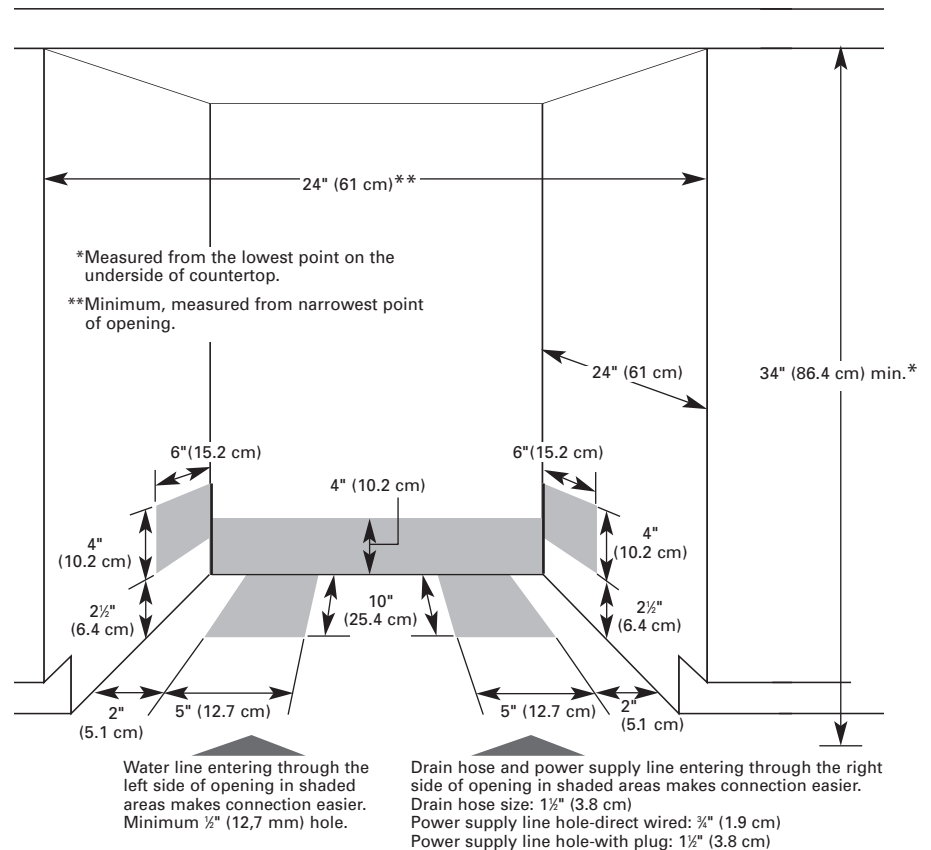
Grommet is required for electrical cable or power supply cord hole cut in a metal cabinet.

Do not install dishwasher over carpeted floor.

OVERALL DIMENSIONS

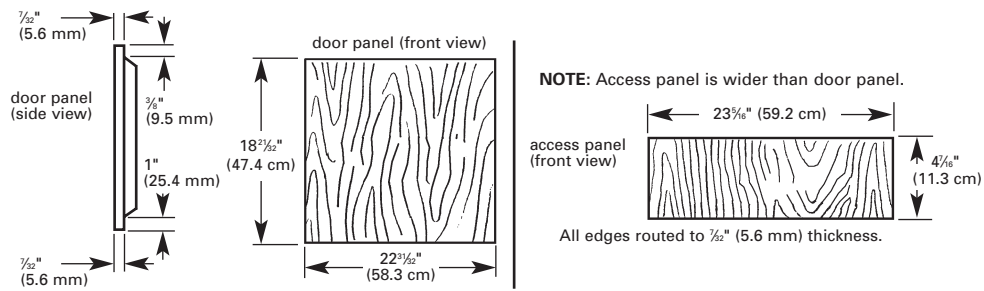


CABINET OPENING DIMENSIONS



CUSTOM FRONT PANEL DIMENSIONS (Framed)

These panels fit only models with frames around the door and access panels.



Cut door panel to clear access panel when door is in open position.

Custom door panel more than $\frac{7}{32}$ " (5.6 mm) thick: Rout top and bottom to $\frac{7}{32}$ " (5.6 mm) thickness.

Custom access panel more than $\frac{7}{32}$ " (5.6 mm) thick: Rout all four sides to $\frac{7}{32}$ " (5.6 mm) thickness.

Custom panels less than $\frac{7}{32}$ " (5.6 mm) thick: Install spacers behind panels.

