

## Whirlpool® DU811SWP



### KEY FEATURES

- ENERGY STAR® Qualified
- Large Capacity (Standard Tub)
- 5 Cycles — Pots & Pans, Heavy, Normal, Rinse Only and Plate Warm
- Similar to DU810SWP with Attached Power Cord
- 1 Option—No Heat Dry
- Large Silverware Basket with Cover

### COLORS



White(Q)



Black  
Console  
with White  
Panel(U)\*

\* Available as optional accessory kit.

Complete Product Specifications on the back. For all product accessories, please reference the Accessories section.

©ENERGY STAR is a U.S. Registered Mark.

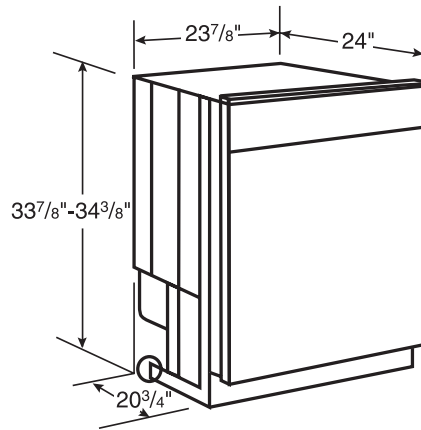
# Dishwasher Features & Specifications

	<b>Whirlpool®</b>
<b>Model No.</b>	<b>DU811SWP</b>
Capacity	Large
<b>Sound</b>	
Sound Reduction Package	Standard
<b>Washing System</b>	
ENERGY STAR® Qualification	Yes
Tub Size	Standard
Wash System	DuraWash™
Water Wash Level	2
Water Feed System	Tower
<b>Controls</b>	
Control System	Electro-Mechanical
Cycles	5
Pots & Pans	Yes
Heavy	Yes
Normal	Yes
Rinse Only	Yes
Plate Warm	Yes
Options	1
Drying	No Heat Dry
<b>Racks</b>	
Coating	PVC
<b>Silverware/Utensil Baskets</b>	
Silverware Basket	In-the-Rack with Cover
<b>General Information</b>	
Factory Installed Power Cord	Yes

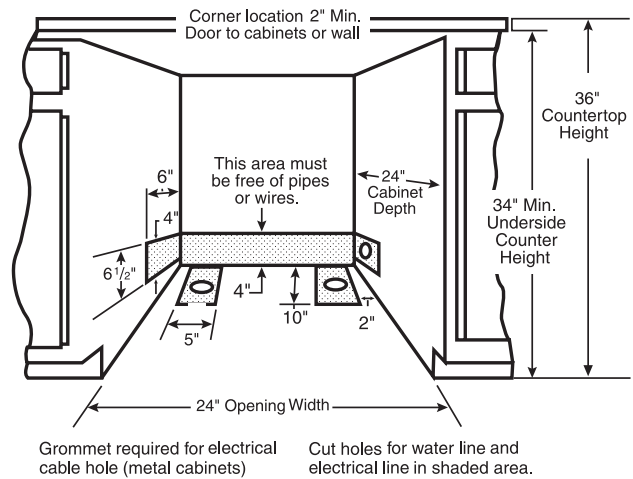
## Optional Accessories

	Part #
Floor Mounting Kit	4378968
6' Reinforced braid dishwasher hook up kit (no cord), 6-ft braided water supply line, teflon tape, strain relief bracket, wire caps, 3/8 brass compression fitting with elbow and in-line tee	4396897RP
6' Reinforced braid dishwasher hose w/ 90 degree fitting, is a 6-ft braided water supply line and 3/8 compression fitting with elbow fits most major dishwasher brands, supplies water to dishwasher	4396897RW
12' Reinforced braid dishwasher hose w/ 90 degree fitting, is a 12-ft braided water supply line that supplies water to dishwasher	8212486

## Product Dimensions



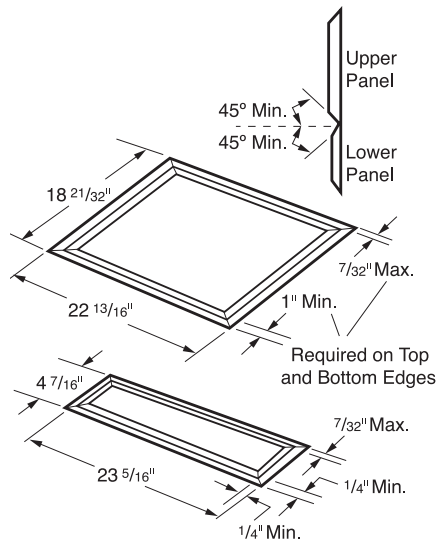
## Cut-Out Dimensions



## Custom Panels

	White	Biscuit	Black	Stainless
Framed Custom Panel Kit	675776	675809	675775	—
Wrap Around Panel Kit	—	—	—	4378989
Side Panel Kit	4378867	675788	4378868	—

## Custom Panel Dimensions



- \*Cutting Notes for Custom Panels:
1. Custom panel for door cannot exceed 8 lb. weight.
  2. Upper and lower panels are not the same width.
  3. Match woodgrain direction with that of adjacent cabinets.
  4. Sand panel edges to provide a smooth finish.
  5. Use moisture-resistant sealer on sides and edges of panels to protect from humidity. (Dishwasher is subject to humidity.)



Dimensions are for planning purposes only. For complete details, see Installation Instructions packed with product. Specifications subject to change without notice.