

DAYTON® SPECIFICATIONS

Dayton® Elite Double Bowl Sink Models DSE23321, DSE23322 and DSEJ23322 Series

GENERAL

Sink is formed of #20 gauge, type 301 series, nickel-bearing stainless steel. Top mount.

DESIGN FEATURES

Bowl Depth: 8-1/16" (206mm)

Rim Height: 5/32" (4mm)

Faucet Deck: Raised

Coved Corners: 4" (102mm) vertical and 3-1/4" (83mm) horizontal radius.

Finish: Exposed surfaces are polished to an elite satin finish.

Underside: Fully undercoated.

OTHER

Drain Opening: 3-1/2" (89mm)

Note: Unless otherwise specified, sink is furnished with 4 faucet holes as shown.

Installation Hardware: Included for 3/4" (19mm) countertop.

OPTIONAL ACCESSORIES

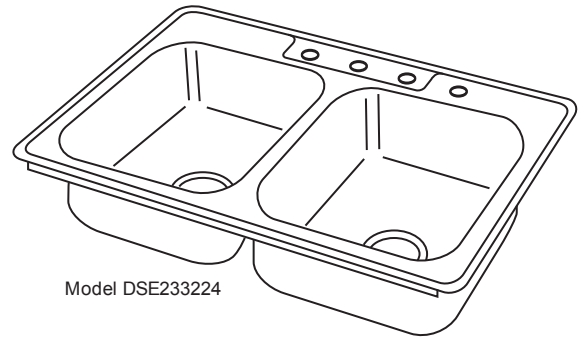
Bottom Grid: GBG1415SS

Drain: LK35, D1125

Sink complies with ASME A112.19.3-2008 / CSA B45.4-08.



These sinks are listed by the International Association of Plumbing and Mechanical Officials as meeting the requirements of the Uniform Plumbing Code and the National Plumbing Code of Canada.



Model DSE233224



SINK PACKAGE

DSE233224DF includes: (1) Sink - DSE233224, (1) Faucet - LK1001CR, and (2) Drains.

DSE233223DFBG includes: (1) Sink - DSE233223, (1) Faucet - LK5000CR, (1) Bottom Grid - GBG2115SS, and (2) Drains.

FAUCET FEATURES

LK1001CR

- Chrome finished, single-lever kitchen faucet with side spray.

- Flexible supply tubes with 1/2" (13mm) male IPS adapters.

LK5000CR

- Chrome finished, single-lever kitchen faucet with pull-down spray.

- Braided stainless steel supply lines.

Faucets comply with: ADA, ANSI/NSF61, ASME A112.18.1/CSA B125.1, cUPC, CA AB1953

Faucet flow rate: 1.5 GPM/5.7 L/min at 60 P.S.I.G.

BOTTOM GRID FEATURES

Nickel-bearing stainless steel

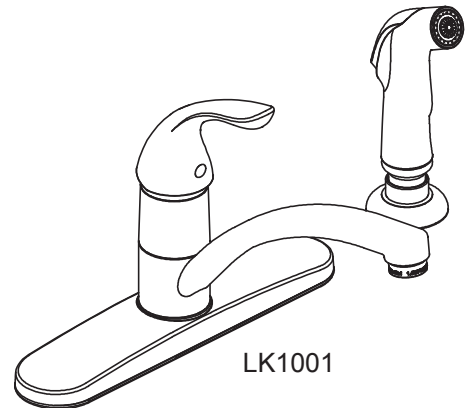
Bright finish

Dishwasher safe

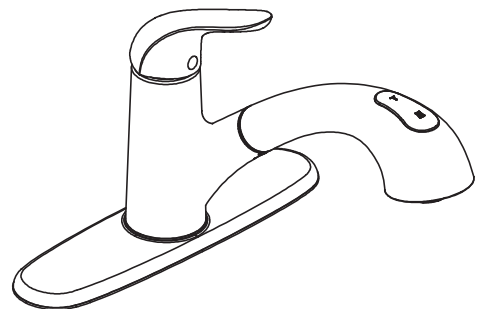
DRAIN FEATURES

Stainless steel body and strainer.

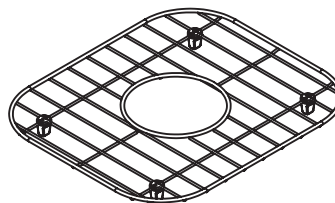
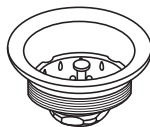
Fits 3-1/2" (89mm) opening.



LK1001



LK5000



GBG1415SS

In keeping with our policy of continuing product improvement, Elkay reserves the right to change product specifications without notice.

This specification describes an Elkay product with design, quality and functional benefits to the user. When making a comparison of other producers' offerings, be certain these features are not overlooked.

Elkay

elkayusa.com

2222 Camden Court
Oak Brook, IL 60523

Printed in U.S.A.
©2011 Elkay

(Rev. 8/11) 2-111

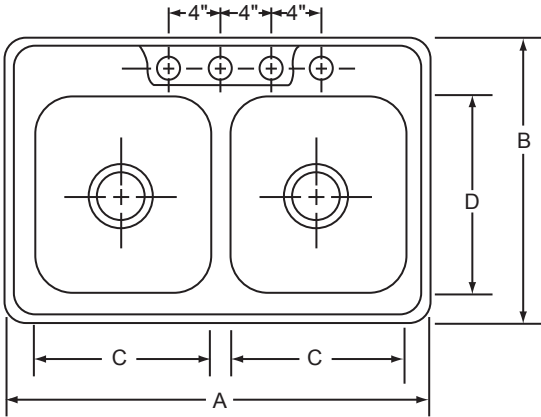
DAYTON® SPECIFICATIONS

Dayton® Elite Double Bowl Sink Models DSE23321, DSE23322 and DSEJ23322 Series

SINK DIMENSIONS (INCHES)*

U-Channel Model Number	J-Channel Model Number	Overall		Inside Each Bowl			Cutout in Countertop (1-1/2" (38mm) Radius Corners)		No. of 1-1/2" (38mm) Dia. Faucet Holes 4" (102mm) Center	Minimum Cabinet Size
		L	W	L	W	D	L	W		
		A	B	C	D	E	L	W		
DSE23321	—	33 (838mm)	21-1/4 (540mm)	14 (356mm)	15-3/4 (400mm)	8-1/16 (206mm)	32-3/8 (822mm)	20-5/8 (524mm)	1, 2, MR2, 3, 4 or 5	36 (914mm)
DSE23322	DSEJ23322	33 (838mm)	22 (559mm)	14 (356mm)	15-3/4 (400mm)	8-1/16 (206mm)	32-3/8 (822mm)	21-3/8 (543mm)	1, 2, MR2, 3, 4 or 5	36 (914mm)

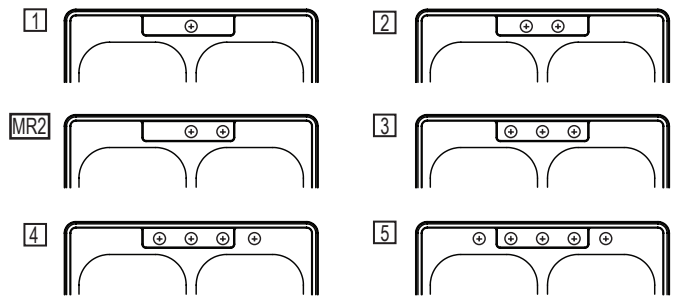
*Length is left to right. Width is front to back.



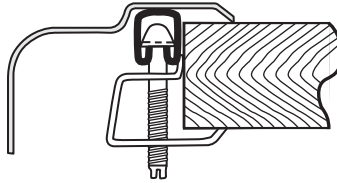
E is Bowl Depth

Hole Drilling Configurations

1-1/2" (38mm) Diameter Faucet Holes on 4" (102mm) Centers



U-Channel Type Mounting System



J-Channel Type Mounting System

