

DAYTON® SPECIFICATIONS

Dayton® Elite Single Bowl Sink Models DSE12522 and DSEJ12522 Series

GENERAL

Sink is formed of #20 gauge, type 301 series, nickel-bearing stainless steel. Top mount.

DESIGN FEATURES

Bowl Depth: 8-1/16" (205mm)

Rim Height: 5/32" (4mm)

Faucet Deck: Raised

Coved Corners: 4" (102mm) vertical and 3-1/4" (83mm) horizontal radius

Finish: Exposed surfaces are polished to an Elite Satin finish.

Underside: Fully undercoated.

OTHER

Drain Opening: 3-1/2".

Note: Unless otherwise specified, sink is furnished with 4 faucet holes as shown.

Installation Hardware: Included for 3/4" (19mm) countertop.


OPTIONAL ACCESSORIES

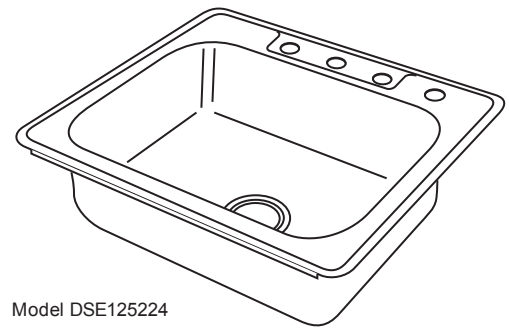
Bottom Grid: GBG2115SS

Cutting Board: CB1516

Drain: D1125

Sink complies with ASME A112.19.3-2008 / CSA B45.4-08.

 These sinks are listed by the International Association of Plumbing and Mechanical Officials as meeting the requirements of the Uniform Plumbing Code and the National Plumbing Code of Canada.



Model DSE125224



SINK PACKAGE

DSE125224DF includes: (1) Sink - DSE125224, (1) Faucet - LK1001CR, and (1) Drain.

DSE125223DFBG includes: (1) Sink - DSE125223, (1) Faucet - LK5000CR, (1) Bottom Grid - GBG2115SS, and (1) Drain.

FAUCET FEATURES

LK1001CR

- Chrome finished, single-lever kitchen faucet with side spray.
- Flexible supply tubes with 1/2" (13mm) male IPS adapters.

LK5000CR

- Chrome finished, single-lever kitchen faucet with pull-down spray.
- Braided stainless steel supply lines.

Faucets comply with: ADA, ANSI/NSF61, ASME A112.18.1/CSA B125.1, cUPC, CA AB1953

Faucet flow rate: 1.5 GPM/5.7 L/min at 60 P.S.I.G.

BOTTOM GRID FEATURES

Nickel-bearing stainless steel

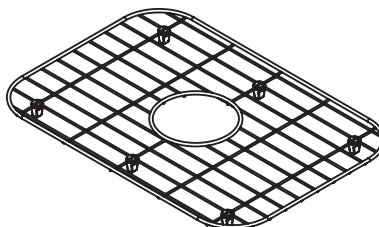
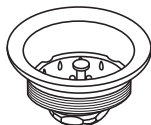
Bright finish

Dishwasher safe

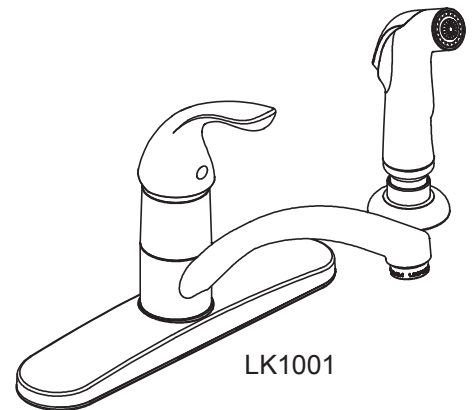
DRAIN FEATURES

Stainless steel body and strainer.

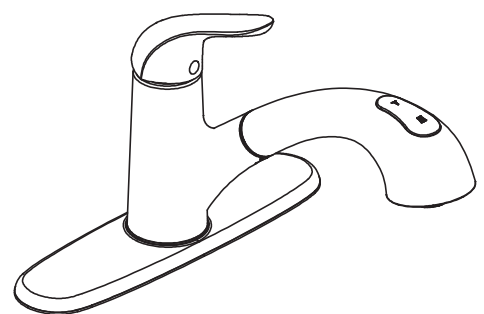
Fits 3-1/2" (89mm) opening.



GBG2115SS



LK1001



LK5000

In keeping with our policy of continuing product improvement, Elkay reserves the right to change product specifications without notice.

This specification describes an Elkay product with design, quality and functional benefits to the user. When making a comparison of other producers' offerings, be certain these features are not overlooked.

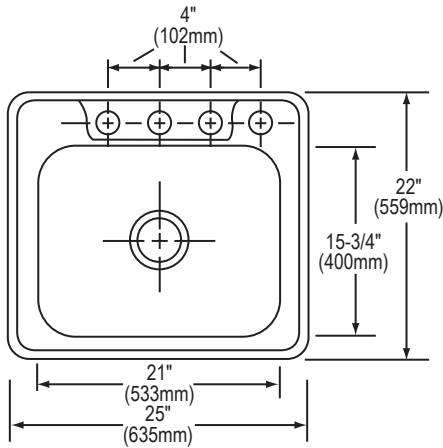
DAYTON® SPECIFICATIONS

Dayton® Elite Single Bowl Sink Models DSE12522 and DSEJ12522 Series

SINK DIMENSIONS (INCHES)*

| U-Channel Model Number | J-Channel Model Number | Overall | | Inside Each Bowl | | | Cutout in Countertop (1-1/2" (38mm) Radius Corners) | | No. of 1-1/2" (38mm) Dia. Faucet Holes 4" (102mm) Center | Minimum Cabinet Size |
|------------------------|------------------------|---------------|---------------|------------------|-------------------|-------------------|---|-------------------|--|----------------------|
| | | L | W | L | W | D | L | W | | |
| DSE12522 | DSEJ12522 | 25 (635mm) | 22 (559mm) | 21 (533mm) | 15-3/4 (400mm) | 8-1/16 (206mm) | 24-3/8 (619mm) | 21-3/8 (543mm) | 1, 2, MR2, 3, 4 or 5 | 30 |

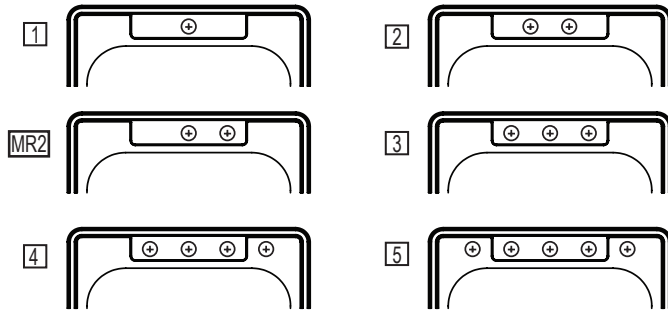
*Length is left to right. Width is front to back.



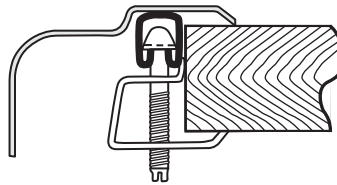
Bowl Depth is 8-1/16" (206mm)

Hole Drilling Configurations

1-1/2" (38mm) Diameter Faucet Holes on 4" (102mm) Centers



U-Channel Type Mounting System



J-Channel Type Mounting System

