



# 36-INCH FREEZER COLUMN, PANEL-READY

DRZ36980LAP | DRZ36980RAP



## PRODUCT FEATURES

- Full height door with true flush cabinet integration without exposed venting grille
- SteelCool™ Stainless Steel Interior illuminated by 3DLighting™
- Push-To-Open™ Door Assist opens the door upon a slight push for a luxuriously convenient experience
- Dual Icemaker with Standard and Cocktail Ice™
- Best-in class food preservation with dedicated evaporator/compressor and Precise Cooling Technology

## TEMPERATURE RANGES

FREEZER	5°F (-15°C) TO -8°F (-23°C)
FREEZER - POWER FREEZE	-8°F (-23°C)

## DIMENSIONS & WEIGHT

APPLIANCE DIMENSIONS (W X H X D) (IN.)	35 3/4" X 83 3/8" X 25"
REQUIRED CUTOUT SIZE (W X H X D) (IN.)	36" X 84" X 25"
NET WEIGHT (LBS)	580 LBS.

## GENERAL PROPERTIES

PANEL READY	YES
DOOR SWING	LAP-LEFT, RAP-RIGHT
PUSH-TO-OPEN™ DOOR ASSIST	YES
ICEMAKER	DUAL ICEMAKER FOR STANDARD AND COCKTAIL ICE™
LIGHTING	3DLIGHTING™
INTERIOR MATERIAL	STEELCOOL™ STAINLESS STEEL INTERIOR
FULL WIDTH SHELVES	3 EA
SHELF MATERIAL	TEMPERED, METAL TRIM, SPILL-PROOF
FULL EXTENSION DRAWERS AT 90° DOOR OPENING ANGLE	YES
HIDDEN COMPARTMENT WITH FLIP-UP COVER	1 EA
FREEZER DRAWER	2 EA
DOOR BINS	4 EA
DOOR OPEN ALARM	YES
SPECIAL MODES	SABBATH MODE

## CAPACITY

TOTAL UNIT GROSS CAPACITY (CU.FT.) - AHAM	21.4 CU. FT.
REFRIGERATOR GROSS CAPACITY (CU.FT.)	21.4 CU. FT.

## PERFORMANCE

DEDICATED EVAPORATOR & COMPRESSOR SYSTEM	YES
POWER FREEZE	YES
DEFROST PROCESS	FROST-FREE
PRECISE COOLING	YES

## EFFICIENCY

ENERGY STAR QUALIFIED	YES
ANNUAL ENERGY CONSUMPTION	580 KWH/YEAR

## TECHNICAL DETAILS

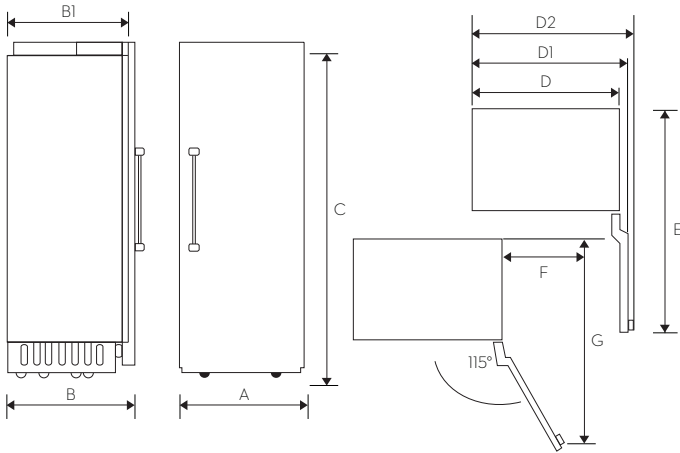
CURRENT (A)	15
VOLTS (V)	115
FREQUENCY (HZ)	60
POWER CORD LENGTH (IN.)	78 3/4"
PLUG TYPE	120 V, 3 PRONG

## WARRANTY

LIMITED, ENTIRE APPLIANCE, PARTS AND LABOR ON ANY PART OF THE REFRIGERATOR	2 YEAR
LIMITED WARRANTY FOR SEALED REFRIGERATION SYSTEM; PARTS AND LABOR	3 <sup>RD</sup> TO 6 <sup>TH</sup> YEAR
LIMITED WARRANTY FOR SEALED REFRIGERATION SYSTEM; PARTS ONLY	7 <sup>TH</sup> TO 12 <sup>TH</sup> YEAR
LIMITED WARRANTY FOR COMPRESSOR; PARTS ONLY	13 <sup>TH</sup> TO 15 <sup>TH</sup> YEAR

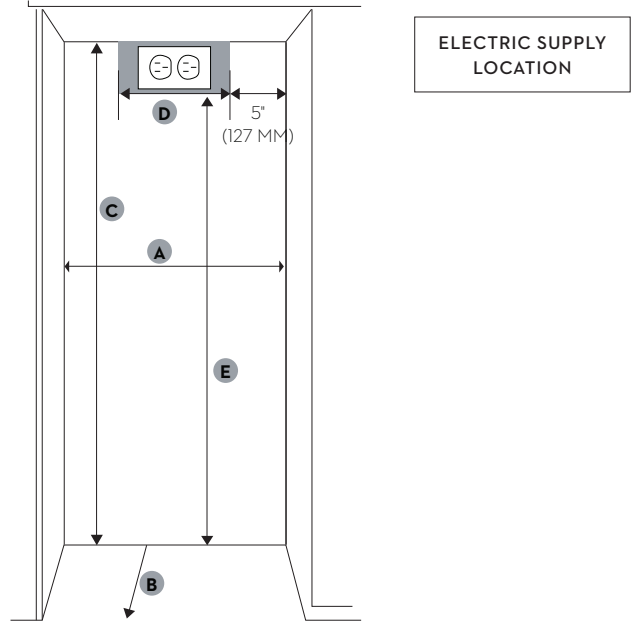
### APPLIANCE DIMENSIONS

A (WIDTH)	35 3/4" (908 MM)
B (WITH PANEL)	25" (635 MM)
BI (WITHOUT PANEL)	23 13/16" (605 MM)
C (HEIGHT)	83 3/8" (2118MM)
D	35 5/8" (905 MM)
D1 (WITH PANEL)	36 7/8" (937 MM)
D2 (WITH MODERNIST HANDLE)	38 3/4" (985 MM)
D3 (WITH PRO HANDLE)	39 3/8" (1,001 MM)
E	62 7/8" (1597 MM)
F	20 9/16" (496 MM)
G	61 5/16" (1556 MM)



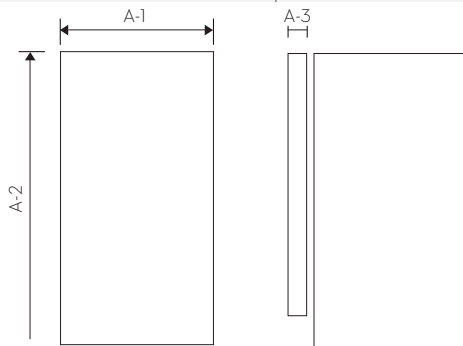
### INSTALLATION CUTOUT DIMENSIONS

A (WIDTH)	36" (914MM)
B (DEPTH)	25" (635MM)
C (HEIGHT)	84" (2,134MM)
D	26" (660MM)
E	80" (2,032MM)



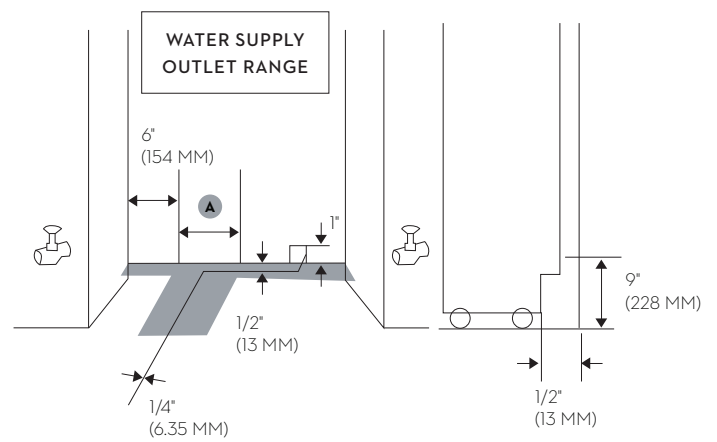
### CUSTOM PANEL DIMENSIONS

A-1 (WIDTH)	35 3/4" (908MM)
A-2 (HEIGHT)	79 7/8" (2,029MM)
A-3 (DEPTH)	3/4" (19MM)
MAX WEIGHT	66.0 LBS. (30KG)



### WATER SUPPLY CONNECTION REQUIREMENTS

A	9" (228 MM)
---	-------------



### ACCESSORIES

MODERNIST GRAPHITE STAINLESS STEEL - 36" PANEL KIT	RAC36AMLHMS (LEFT HINGE), RAC36AMRHMS (RIGHT HINGE)
MODERNIST SILVER STAINLESS STEEL - 36" PANEL KIT	RAC36AMLHSR (LEFT HINGE), RAC36AMRHSR (RIGHT HINGE)
HERITAGE PRO SILVER STAINLESS STEEL - 36" PANEL KIT	RAC36AHLHSR (LEFT HINGE), RAC36AHRHSR (RIGHT HINGE)
MODERNIST GRAPHITE STAINLESS STEEL - 36" KICK PLATE	RAC36TKBBMS
MODERNIST SILVER STAINLESS STEEL - 36" KICK PLATE	RAC36TKBBSR
GRAPHITE STAINLESS STEEL - MODERNIST HANDLE	RACOOMHAAMS
SILVER STAINLESS STEEL - MODERNIST HANDLE	RACOOMHAASR
SILVER STAINLESS STEEL - HERITAGE PRO HANDLE	RACOOPHAASR
SILVER STAINLESS STEEL - EPICURE HANDLE	ADRRZHIE
PAIR INSTALLATION KIT	RACOOCPAAAA
WATER FILTER	RACOOWFAAAA
DEODORIZING FILTER	RACOODFAAAA