

# 24-Inch Undercounter Beverage Refrigerator

\$2,599

**dacor**



DRR24G7400APDA - Panel Ready



## Features & Benefits

- Field reversible flush capable hinge
- Panel Ready
- Presenter shelf
- Touch Control
- SteelCool™ full stainless steel interior
- LED 3D Lighting™
- Triple pane UV resistant glass
- R600a refrigerant

## Controls

<b>CONTROL TYPE</b>	Touch
<b>WI-FI + SMARTTHINGS</b>	No
<b>SABBATH MODE</b>	Yes

## Features

<b>LED LIGHTING</b>	Yes
<b>GLASS DOOR</b>	Triple pane UV resistant
<b>INTERIOR MATERIAL</b>	SteelCool™ (full stainless steel walls)
<b>REFRIGERANT</b>	R600a
<b>SHELVES</b>	2 glass shelves, 1 presenter shelf, 1 plastic shelf

## Refrigerator

<b>REFRIGERATOR CAPACITY (CU.FT)</b>	5 (128 cans)
<b>ZONES</b>	1
<b>REFRIGERATOR TEMPERATURE</b>	34° F to 50° F

## Weights & Dimensions

<b>NET WEIGHT (LB)</b>	136.4
<b>SHIPPING WEIGHT (LB)</b>	155.1
<b>PRODUCT DIMENSIONS (W x H x D IN INCHES)</b>	23 <sup>3</sup> / <sub>4</sub> x 34 <sup>3</sup> / <sub>16</sub> to 34 <sup>3</sup> / <sub>8</sub> x 23 <sup>5</sup> / <sub>8</sub>
<b>STANDARD CUTOUT REQUIRED (W x H x D IN INCHES)</b>	24 min. x 34 <sup>1</sup> / <sub>4</sub> to 34 <sup>7</sup> / <sub>16</sub> x 24 min.

## Technical Details

<b>ELECTRICAL REQUIREMENTS</b>	115V, 60 Hz, 15A
--------------------------------	------------------

## Warranty

<b>FULL COVERAGE</b>	2 Years
----------------------	---------

## Accessories (Optional)

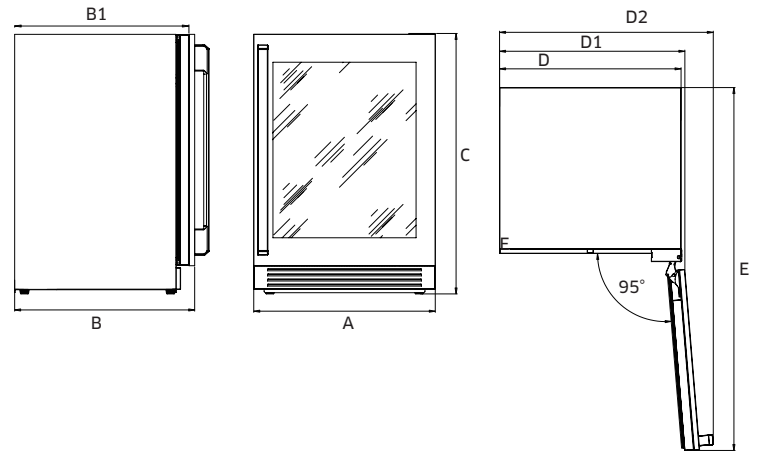
<b>RAW24AMAASR/DA</b>	Panel Kit, Silver Stainless
<b>RAW24AMAAMS/DA</b>	Panel Kit, Graphite Stainless

# 24-Inch Undercounter Beverage Refrigerator

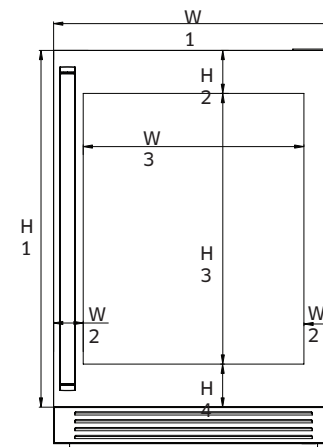
**\$2,599**



Product Dimensions	
<b>A</b>	23 3/4" (603 mm)
<b>B - WITH PANEL</b>	23 5/8" (600 mm)
<b>B1 - WITHOUT PANEL</b>	22 7/8" (581 mm)
<b>C</b>	34 3/16"-34 3/8"(868mm-873 mm)
<b>D</b>	23 13/16" (605 mm)
<b>D1</b>	24 5/16" (617.5 mm)
<b>D2</b>	28" (712.5 mm)
<b>E</b>	50 13/16" (1290.5mm)



Custom Panel Dimensions	
<b>W1</b>	23 3/4" (603 mm)
<b>W2</b>	2 3/8" (60 mm)
<b>W3</b>	18 11/16" (477mm)
<b>H1</b>	30 3/8" (771mm)
<b>H2</b>	3 3/8" (86 mm)
<b>H3</b>	23 9/16" (598 mm)
<b>H4</b>	3 3/8" (86 mm)
<b>PANEL THICKNESS</b>	3/4" (19 mm)
<b>CUSTOM PANEL THICKNESS</b>	23/32" - 25/32" (18 mm - 20 mm)
<b>MAX WEIGHT</b>	22.0 lb (10 kg)



## Cut-out and Utility Location for Built-In Purposes

