

# DAYTON<sup>®</sup>

## SPECIFICATIONS

# Dayton<sup>®</sup> Premium Double Bowl Sink with Slim Rim Model DPXSR2250RPD

### GENERAL

Sink is formed of #18 (1.2mm) gauge, 300 series nickel-bearing stainless steel. Universal mount.

### DESIGN FEATURES

**Slim Rim:** Ultra thin edge that virtually eliminates the barrier between the sink and countertop, allowing for a universal (top or undermount) installation option.

**Bowl Depth:** 8" (203mm)

**Coved Corners:** 1-3/4" (44mm) horizontal radius and 1-3/4" (44mm) and 2" (51mm) vertical radii.

**Finish:** Exposed surfaces are polished to a Premium Satin Finish.

**Underside:** Fully undercoated to reduce condensation and dampen sound.

**Perfect Drain:** Seamlessly welded stainless steel collar eliminates the gap between a traditional drain and the sink for a sanitary and gap free installation. Each sink shipped with two LKPD1 drain kits, or a garbage disposer can be installed on the sink bowl for user convenience.

**Patent Pending**

### OTHER

**Drain opening:** 3-3/8" (86mm)

Waste Fitting complies with ASME A112.18.2/CAN/CSA-B125.2

Sink complies with ASME A112.19.3/ CSA B45.4



Sinks are listed by IAPMO<sup>®</sup> as meeting the applicable requirements of the Uniform Plumbing Code<sup>®</sup>, International Plumbing Code<sup>®</sup>, and National Plumbing Code of Canada.

### OPTIONAL ACCESSORIES

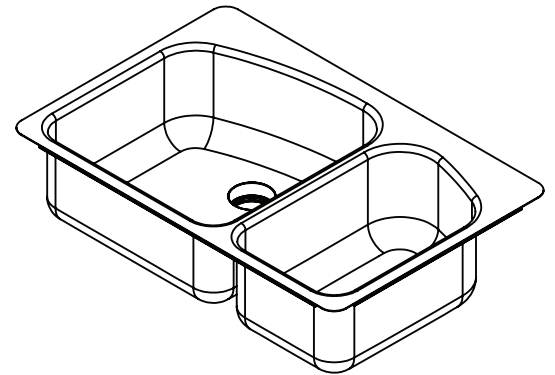
**Bottom Grid:** GOBG1819SS (large bowl), GOBG1118SS (small bowl)

**Cutting Board:** LKCB1520LTHW (large bowl, top mount), LKCB1520LUHW (large bowl, undermount)

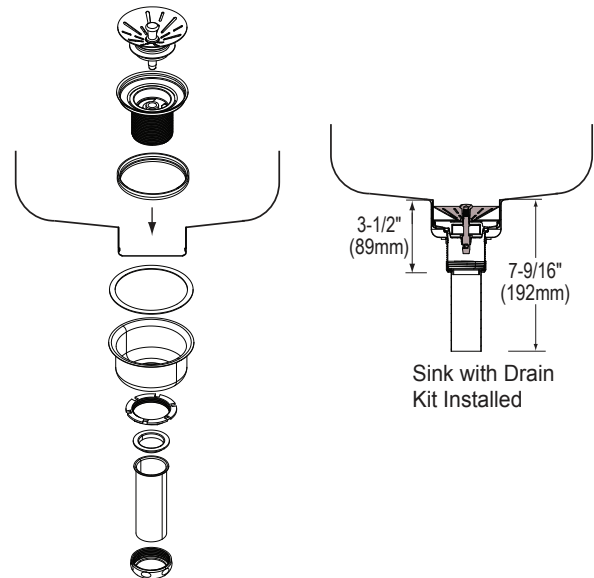
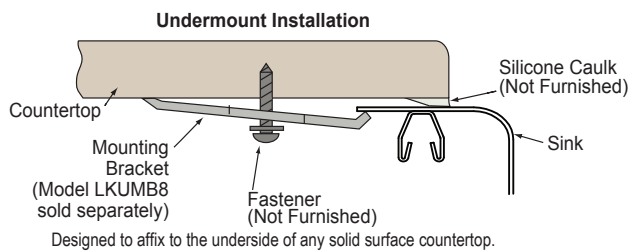
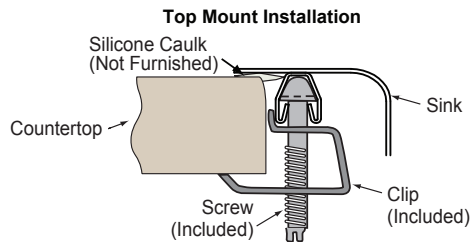
**Mounting Hardware:** LK364

**Rinsing Basket:** LKWRB1819SS (large bowl), LKWERBSS (large bowl)

**Utensil Caddy for Rinsing Basket:** LKWUCSS



Model DPXSR2250RPD



*In keeping with our policy of continuing product improvement, Elkay reserves the right to change product specifications without notice. Please visit [elkayusa.com](http://elkayusa.com) for most current version of Elkay product specification sheets.*

*This specification describes an Elkay product with design, quality and functional benefits to the user. When making a comparison of other producers' offerings, be certain these features are not overlooked.*

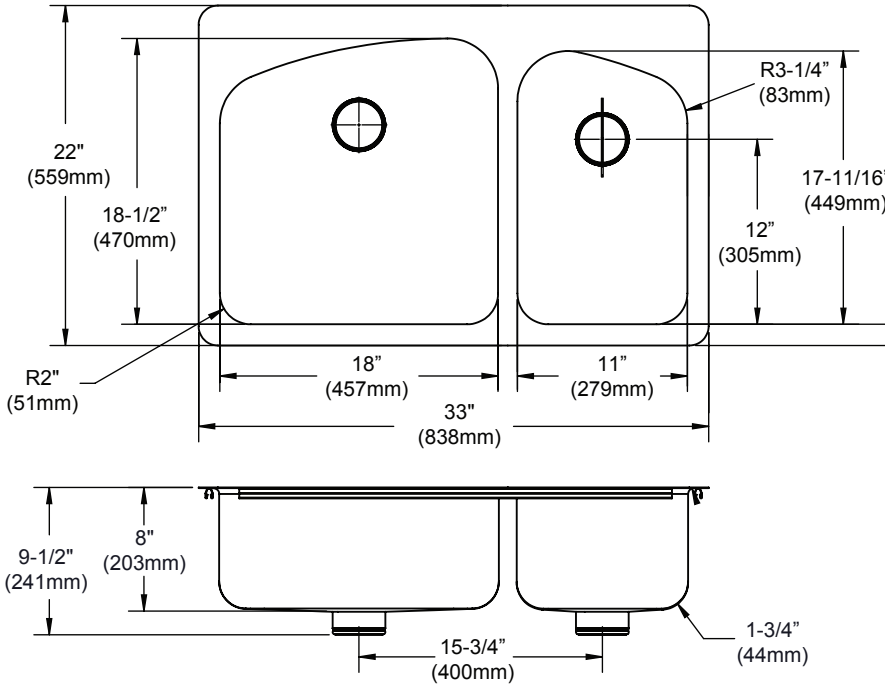
# DAYTON® SPECIFICATIONS

## Dayton® Premium Double Bowl Sink with Slim Rim Model DPXSR2250RPD

### SINK DIMENSIONS\*

Model Number	Overall			Inside Left Bowl			Inside Right Bowl			Cutout in Countertop (1 1/2" [38mm] Radius Corners)		No. of 1 1/2" (38mm) Dia. Faucet Holes 4" (102mm) Center	Minimum Cabinet Size
	L	W	D	L	W	D	L	W	D	L	W		
DPXSR2250RPD	33 (838mm)	22 (559mm)	9-1/2 (241mm)	18 (457mm)	18-1/2 (470mm)	8 (203mm)	11 (279mm)	17-11/16 (449mm)	8 (203mm)	32-3/8 (822mm)	21-3/8 (543mm)	1, 2L, 2R, or 3	36 (914mm)

\*Length is left to right. Width is front to back.



**in sink erator®**

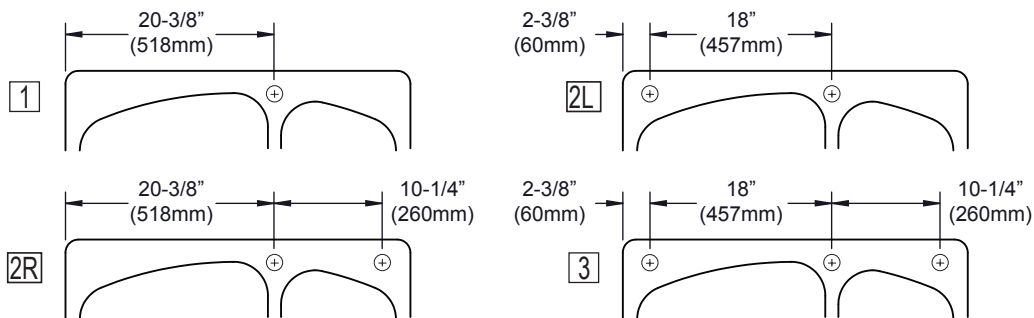
Elkay® Perfect Drain™ sinks are designed and approved for compatible disposers manufactured by InSinkEerator® utilizing the Quick Lock® mounting configuration. Use of non-approved disposers may void Elkay warranty.

InSinkEerator, Quick Lock and the mounting collar configuration are trademarks of Emerson Electric Co.



### Hole Drilling Configurations

1-1/2" (38mm) Diameter Faucet Holes



In keeping with our policy of continuing product improvement, Elkay reserves the right to change product specifications without notice. Please visit [elkayusa.com](http://elkayusa.com) for most current version of Elkay product specification sheets.

This specification describes an Elkay product with design, quality and functional benefits to the user. When making a comparison of other producers' offerings, be certain these features are not overlooked.