



36-INCH PRO DUAL-FUEL STEAM RANGE

DOP36M86D | MODERNIST COLLECTION



AVAILABLE MODELS

DOP36M86DLS	Stainless Steel, Natural Gas
DOP36M86DPS	Stainless Steel, Liquid Propane
DOP36M86DHS	Stainless Steel, Natural Gas/High Altitude
DOP36M86DAS	Stainless Steel, Liquid Propane/High Altitude
DOP36M86DLM	Graphite Stainless Steel, Natural Gas
DOP36M86DPM	Graphite Stainless Steel, Liquid Propane
DOP36M86DHM	Graphite Stainless Steel, Natural Gas/High Altitude
DOP36M86DAM	Graphite Stainless Steel, Liquid Propane/High Altitude

FEATURES & BENEFITS

- Exclusive Four-Part Dual Pure Convection - heat, air, baffle, and filter to precisely distribute heat for superior cooking results.
- Steam Assist and Convection Oven - the power of steam and convection cooking in one.
- Large oven capacity - 4.8 cu. ft.
- 6 Sealed Brass Burners.
- Powerful 22K BTU and true simmer burners.
- Illumina™ Knobs and Ambient Light.
- 7" LCD Control Panel.
- Dacor iQ Kitchen app with integrated Wif-Fi to control and monitor remotely.
- Auto connect to hood.

ACCESSORIES (INCLUDED)

GLIDERACK™	2
STANDARD RACKS	1
TEMPERATURE PROBE	1
WOK RING	1
CONVECTION FILTER	2
BRASS/BLACK BURNER CAPS	YES

ACCESSORIES (OPTIONAL)

COOKIE SHEETS (SET OF 3)	SKU - ACSM303
GRIDDLE	SKU - AMG36

GENERAL PROPERTIES

OVEN CAPACITY (CUBIC FEET)	4.8
COOKING MODES	BAKE - BROIL - CONVECTION BAKE - CONVECTION ROAST - CONVECTION BROIL - FOUR PART PURE CONVECTION - PURE CONVECTION SEAR - STEAM ASSIST

OVEN PERFORMANCE

BAKE ELEMENT	3,000W - 8 PASS
BROIL ELEMENT	4,400W - 10 PASS
CONVECTION ELEMENT	1,300W (EACH - 2,600W TOTAL)
STEAM HEATER	500W

BURNER PERFORMANCE

TOTAL NUMBER OF COOKTOP BURNERS	6
RIGHT FRONT (BTU)	22,000 DUAL (SIMMER)
RIGHT REAR (BTU)	9,000 STACK DUAL (SIMMER)
CENTER FRONT (BTU)	16,000 STACK DUAL (SIMMER)
CENTER REAR (BTU)	16,000 STACK DUAL (SIMMER)
LEFT FRONT (BTU)	18,000 DUAL (SIMMER)
LEFT REAR (BTU)	16,000 DUAL (SIMMER)
SEALED BURNERS	YES
PERMA-FLAME™ (AUTO RE-IGNITION)	YES

CONTROL FEATURES

INFOCENTER™ DISPLAY	YES
NUMBER OF KNOBS	6 + 1 LAMP KNOBS
CONTROL METHOD	7" POP-UP LCD
WI FI	YES
BLUETOOTH (HOOD CONNECTION)	YES
ILLUMINA™ BURNER KNOBS	YES / WHITE
HIGHLIGHTING COLOR	WHITE
AMBIENT LIGHTING	YES (DIMMING)
CLOCK	YES
DELAY START	YES
KITCHEN TIMER	YES
TIME OF DAY (12 HR/24 HR)	YES
TEMPERATURE (F / C)	YES
CHILD LOCK	YES
SOUND ON/OFF	YES
MANUAL LIGHTING ON/OFF	YES



36-INCH 6-BURNER DUAL-FUEL STEAM RANGE

ADDITIONAL FEATURES

CLEANING TYPE	SELF CLEAN & GREENCLEAN
TYPE OF GRATE	CONTINUOUS CAST IRON
CAVITY	BLACK ENAMEL COATING
RACK POSITIONS	6
CONVECTION TYPE	FOUR PART DUAL PURE CONVECTION WITH FILTER
LIGHTING	BRIGHTVUE™ - LED + HALOGEN

ADDITIONAL MODES

KEEP WARM	YES
PROOF (LOWER TEMP)	YES
PROOF	YES
STONE MODE	YES
DEHYDRATE	YES
GOURMET COOK	YES
SABBATH	YES

OPTIONAL MODES

TEMPERATURE PROBE	YES
INSTANTHEAT (NO PREHEAT)	YES WITH CONVECTION ROAST / CONVECTION BAKE

TECHNICAL DETAILS

CIRCUIT BREAKER (A)	50
VOLTS (V)	240 / 208
FREQUENCY (HZ)	60
ENERGY SOURCE	GAS AND ELECTRIC
GAS TYPE	NATURAL GAS NATURAL GAS (HIGH ALTITUDE) LIQUID PROPANE LIQUID PROPANE (HIGH ALTITUDE)

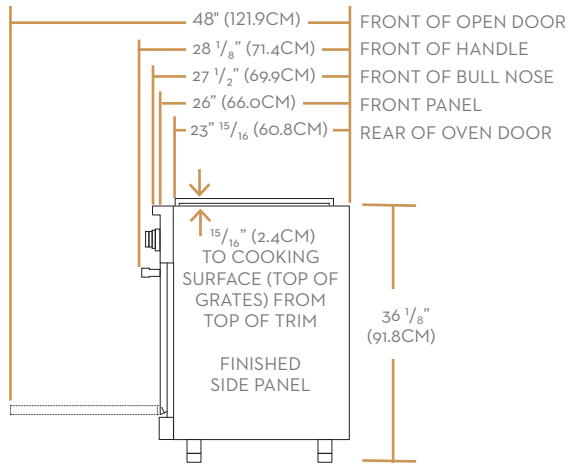
DIMENSIONS & WEIGHT

APPLIANCE DIMENSIONS (H X W X D) (IN.)	36 1/8" X 35 7/8" X 27 1/2"
REQUIRED CUTOUT SIZE (W X D) (IN.)	36" X 24"

WARRANTY

LIMITED, PARTS AND LABOR	2 YEAR
--------------------------	--------

APPLIANCE DIMENSIONS

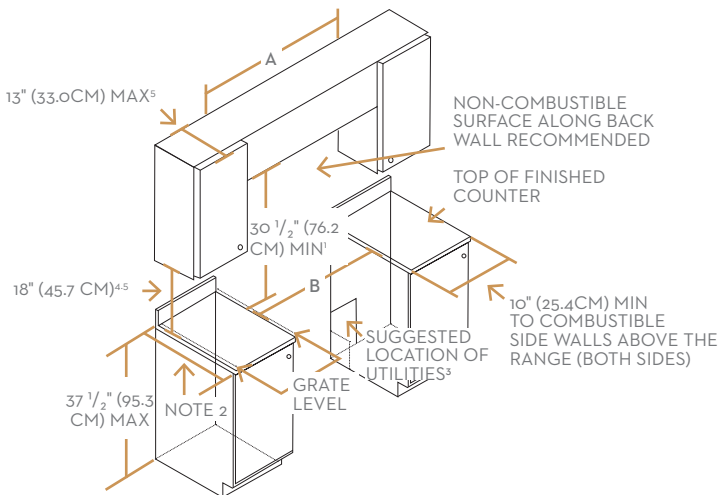


WIDTH: DOP366M96DL* - 35 7/8" (91.1CM)

36"

A (WIDTH)	35 7/8" (121.6CM)
B (DEPTH)	27 1/2" (95.25CM)
C (HEIGHT)	36 1/8" (91.8CM)

INSTALLATION CUTOUT DIMENSIONS



36"

A (WIDTH)	36" (91.4CM) MINIMUM 42" (106.7CM) RECOMMENDED
B (WIDTH)	36" (91.4CM)

