

***dacor***

Installation Manual

# Dual Fuel Pro Range

DOP30\*\*40D\*

**WARNING:** If the information in this manual is not followed exactly, a fire or explosion may result causing property damage, personal injury or death.

- **DO NOT** store or use gasoline or other flammable vapors and liquids in the vicinity of this or any other appliance.
- **WHAT TO DO IF YOU SMELL GAS:**
  - **DO NOT** try to light any appliance.
  - **DO NOT** touch any electrical switch.
  - **DO NOT** use any phone in your building.
  - Immediately call your gas supplier from a neighbor's phone. Follow the gas supplier's instructions.
  - If you cannot reach your gas supplier, call the fire department.
- Installation and service must be performed by a qualified installer, service agency, or the gas supplier.

## ANTI-TIP DEVICE



### **WARNING**

ALL RANGES CAN TIP, RESULTING IN PERSONAL INJURY. TIPPING RANGES CAN CAUSE BURNS FROM SPILLS, PERSONAL INJURY, AND/OR DEATH. INSTALL AND CHECK THE ANTI-TIP BRACKET FOLLOWING THE INSTRUCTIONS AND TEMPLATE SUPPLIED WITH THE BRACKET.

- To prevent accidental tipping of the range, attach an approved anti-tip device to the floor. (See Installing the Anti-Tip Device in the Installation Instructions.) Check for proper installation by carefully tipping the range forward. The anti-tip device should engage and prevent the range from tipping over.
- If the range is pulled out away from the wall for any reason, make sure the anti-tip device is reengaged after the range has been pushed back into place.
- Follow the installation instructions found in the Installation Manual. Failure to follow these instructions can result in death, serious personal injury, and / or property damage.
- **DO NOT step / sit / lean** on the door or drawer to prevent accidental tipping of the range.
- Be sure your appliance is properly installed and grounded by a qualified technician.

# Contents

---

<b>Before you begin</b>	<b>4</b>
About this manual	4
<b>Important safety information</b>	<b>4</b>
Read all instructions before using this appliance	4
Symbols used in this manual	4
California Proposition 65 Warning	5
Commonwealth of Massachusetts	5
General safety	5
Fire safety	6
Gas safety	6
Electrical and grounding safety	7
Installation safety	7
Location safety	8
Cooktop safety	8
Oven safety	9
Self-cleaning oven safety	10
Storage drawer safety	10
<b>Gas range components</b>	<b>11</b>
Dual Fuel range specifications	11
<b>Installation requirements</b>	<b>12</b>
Location requirements	12
Installation guide	13
To remove safely from the pallet	15
To avoid breakage	15
Gas requirements	16
Special gas requirements (gas models sold in Massachusetts)	17
Electrical requirements	17

---

<b>Tools and materials</b>	<b>19</b>
What's in the box	19
<b>Installation instructions</b>	<b>20</b>
Installing your Dual fuel Range	20

## Before you begin

### About this manual

Read these instructions completely and carefully.

#### Important note to the installer

- Read all instructions contained in these installation instructions before installing the range.
- Remove all packing materials from the oven compartments before connecting the electric and gas supply to the range.
- Observe all governing codes and ordinances.
- Be sure to leave these instructions with the consumer.
- Installation of this appliance requires basic mechanical skills.
- Proper installation is the responsibility of the installer.
- Product failure due to improper installation is not covered under the Warranty.

#### Important note to the consumer

Keep these instructions with your user manual for future reference.

- As when using any appliance generating heat, there are certain safety precautions you should follow.
- Be sure your range is installed and grounded properly by a qualified installer or service technician.
- Make sure the wall coverings around the range can withstand the heat generated by the range.
- Cabinet storage space above the surface burners should be a minimum of 30 in (76.2 cm).

#### Important note to the servicer

The electrical diagram is in an envelope attached to the back of the range.

## Important safety information

### Read all instructions before using this appliance

- All electrical and gas equipment with moving parts can be dangerous. Please read the important safety instructions for this appliance in this manual. The instructions must be followed to minimize the risk of injury, death, or property damage.
- Save this manual. Please Do Not Discard.

### Symbols used in this manual

#### WARNING

Hazards or unsafe practices that may result in severe personal injury or death.

#### CAUTION

Hazards or unsafe practices that may result in electric shock, personal injury or property damage

#### NOTE

Useful tips and instructions

These warning icons and symbols are here to prevent injury to you and others. Please follow them explicitly. After reading this section, keep it in a safe place for future reference.

## California Proposition 65 Warning



### WARNING

Cancer and Reproductive Harm - [www.P65Warnings.ca.gov](http://www.P65Warnings.ca.gov).

## Commonwealth of Massachusetts

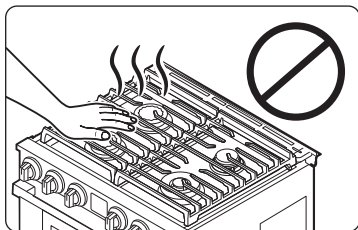
This product must be installed by a licensed plumber or gas fitter qualified or licensed by the State of Massachusetts. When using ball-type gas shut-off valves, you must use the T-handle type. Multiple flexible gas lines must not be connected in series.

## General safety



### WARNING

To reduce the risk of fire, electric shock, personal injuries, and/or death, obey the following precautions.



- **Do not touch** any part of the range, including but not limited to, oven burners, surface burners, or interior surfaces during or immediately after cooking.
- **Know** the location of the gas shut-off valve and how to shut it off.
- **Make sure** the **anti-tip device** is properly installed on the range. See the installation instructions for more information.
- **Do not let children near**, in, or on the range. Do not let children play with the range or any part(s) of the range. Do not leave children unattended in an area where the range is in use. For children's safety, we recommend utilizing the control/door lockout feature.

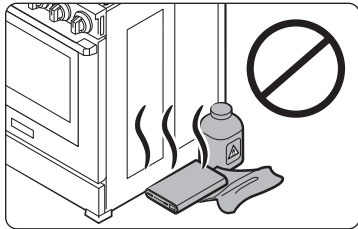
- **Remove** all packaging materials from the range before operating to prevent ignition of these materials. Keep all packaging materials out of children's reach. Properly dispose the packaging materials after the range is unpacked.
- **Do not store** any object of interest to children on the cooktop or backguard of the range. Children climbing on the range to reach items could be killed or seriously injured.
- **Do not operate** the range if the range or any part of the range is damaged, malfunctioning, or missing parts.
- **Do not use** the range as a space heater. This range is to be used for cooking purposes only.
- **Do not use** oven cleaners or oven liners in or around any part of the oven.
- **Use** only dry pot holders.
- **Do not use** the range to heat unopened food containers.
- **Do not strike** the oven glass.
- When disposing of the range, **cut off** the power cord and **remove** the door.
- **Unplug** or **disconnect** power before servicing.
- **Make sure** all meat and poultry is cooked thoroughly. Meat should always be cooked to an internal temperature of 160 °F (71 °C). Poultry should always be cooked to an internal temperature of 180 °F (82 °C).

## Important safety information

### Fire safety

#### ⚠ WARNING

To reduce the risk of fire, electric shock, personal injuries, and/or death, obey the following precautions.



- **Do not store, place, or use** flammable or combustible materials such as charcoal, paper, plastic, pot holders, linens, curtains, gasoline or other flammable vapors or liquids near or inside the range.
- **Do not wear** loose fitting or hanging garments while using the range.

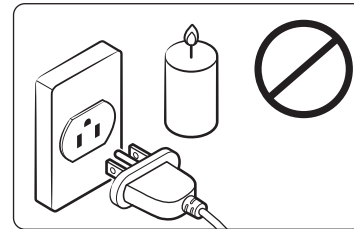
- To avoid grease buildup, **regularly clean** the vents.
- **Do not let** pot holders or other flammable materials touch a heating element. Do not use a towel or other bulky cloths in place of a pot holder.
- **Do not use** water on a grease fire. To put out a grease fire, turn off the heat source and smother the fire with a tight-fitting lid or use a multipurpose dry chemical or foam-type fire extinguisher.
- If a grease fire should occur in the oven, **turn off the oven** by rotating the mode selector knob to the **OFF** position. Keep the oven door closed until the fire goes out. If necessary, **use** a multipurpose dry chemical or foam-type fire extinguisher.
- **Do not heat** unopened food containers - buildup of pressure may cause container to burst and result in injury.

### Gas safety

#### ⚠ WARNING

To reduce the risk of fire, electric shock, personal injuries, and/or death, obey the following precautions.

#### If you smell gas:



- **Close the valve** and do not use the range.
- **Do not light** a match, candle, or cigarette.
- **Do not turn on** any gas or electric appliances.
- **Do not touch** any electrical switches or plug a power cord into an outlet.
- **Do not use** any phone in your building.
- **Evacuate** the room, building, or area of all occupants.
- **Immediately call** your gas supplier from a neighbor's phone. Follow the gas supplier's instructions.
- If you cannot reach your gas supplier, call the fire department.

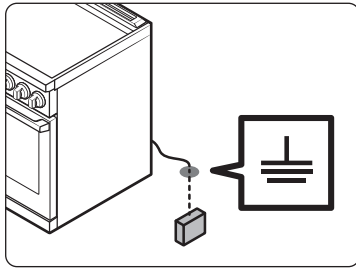
#### Checking for gas leaks

- Leak testing of the appliance shall be conducted according to the manufacturer's instructions. **Do not use** a flame to check for gas leaks. Use a brush to spread a soapy water mixture around the area you are checking. If there is a gas leak, you will see small bubbles in the soapy water mixture at the leak point.

## Electrical and grounding safety

### ⚠ WARNING

To reduce the risk of fire, electric shock, personal injuries, and/or death, obey the following precautions.

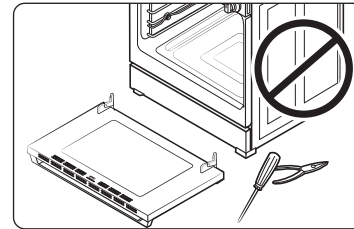


- Plug into a grounded 3-prong outlet.
  - **Do not remove** the ground prong.
  - **Do not use** an adapter or an extension cord.
  - **Do not use** a damaged power plug, power cord, or loose power outlet.
  - **Do not modify** the power plug, power cord, or power outlet in any way.
- **Do not put** a fuse in a neutral or ground circuit.
  - Use a dedicated 240-volt, 60-Hz, 40-amp, AC, fused electrical circuit for this range. A time-delay fuse or circuit breaker is recommended. Do not plug more than one appliance into this circuit.
  - **Do not connect** the ground wire to plastic plumbing lines, gas lines, or hot water pipes.
  - This range **must be Earth grounded**. In the event of a malfunction or breakdown, grounding will reduce the risk of electrical shock by providing a path for the electric current. This range is equipped with a cord having a grounding plug. The plug must be firmly plugged into an outlet that is properly installed and grounded in accordance with the local codes and ordinances. If you are unsure whether your electrical outlet is properly grounded, have it checked by a licensed electrician.
  - Electrical service to the range must conform to local codes. Barring local codes, it should meet the latest ANSI/NFPA No. 70 - Latest Revision (for the U.S.) or the Canadian Electrical Code CSA C22.1 - Latest Revisions.
  - It is the personal responsibility of the range owner to provide the correct electrical service for this range.

## Installation safety

### ⚠ WARNING

To reduce the risk of fire, electric shock, personal injuries, and/or death, obey the following precautions.



- Have your range installed and properly grounded by a **qualified installer**, in accordance with the installation instructions. Any adjustment and service should be performed only by qualified gas range installers or service technicians.
- **Do not attempt** to service, modify, or replace your range or any part of your range unless it is specifically recommended in this manual. All other service should be referred to a qualified technician.
  - Always use new flexible connectors when installing a gas appliance. **Do not use** old flexible connectors.
  - **Make sure** the anti-tip device is properly installed on the range. See the installation instructions for more information.
  - Due to the size and weight of the range, have **two or more people** move the range.
  - **Remove** all tape and packaging materials.
  - **Remove** all accessories from the cooktop and oven. Grates are heavy. Use caution when handling them.
  - **Make sure** no parts came loose during shipping.

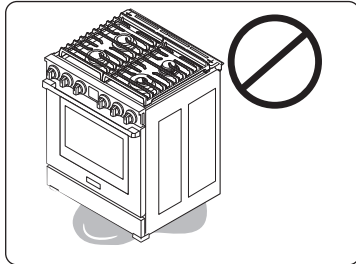
## Important safety information

- **Make sure** your range is correctly installed and adjusted by a qualified service technician or installer for the type of gas (natural or LP) you will use. For your range to utilize LP gas. The installer must replace the 6 surface burner orifices with the provided LP orifice set. And reverse the GPR adapter. These adjustments must be made by a qualified service technician in accordance with the manufacturer's instructions and all codes and requirements of the authority having jurisdiction. The qualified agency performing this work assumes the gas conversion responsibility.
- Installation of this range must conform with local codes or, in the absence of local codes, with the National Fuel Gas Code, ANSI Z223.1/NFPA.54, latest edition. In Canada, installation must conform with the current Natural Gas Installation Code, CAN/CGA-B149.1, or the current Propane Installation Code, CAN/CGA-B149.2, and with local codes where applicable. This range has been design-certified by ETL according to ANSI Z21.1, latest edition, and Canadian Gas Association according to CAN/CGA-1.1, latest edition.

### Location safety

#### ⚠ WARNING

To reduce the risk of fire, electric shock, personal injuries, and/or death, obey the following precautions.



- This range is for indoor, household use only. **Do not install** the range in areas exposed to the weather and/or water.
- **Do not install** the range in a place which is exposed to a strong draft.

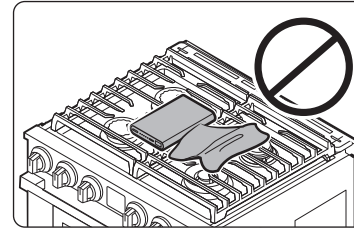
- Select a level, well-constructed floor that can support the range's weight. Synthetic flooring, such as linoleum, must withstand 180 °F (82 °C) temperatures without shrinking, warping, or discoloring. **Do not install** the range directly over interior kitchen carpeting unless a sheet of ¼ inch plywood or a similar insulator is placed between the range and carpeting.

- Select a location where a grounded, 3- prong outlet is easily accessible.
- If the range is located near a window, **do not hang** long curtains or paper blinds on that window.
- For the range to ventilate properly, make sure the range's vents are not blocked or covered, and that there is enough clearance at the top, back, sides, and underneath the range. The vents allow the necessary exhaust for the range to operate properly with correct combustion and get the good cooking result.
- **Make sure** the wall coverings around the range can withstand heat up to 194 °F (90 °C) generated by the range.
- Cabinet storage above the surface of the range should be avoided. If cabinet storage above the range is necessary: allow a minimum clearance of 30 inches (76.2 cm) between the cooking surface and the bottom of cabinets; or install a range hood that projects horizontally a minimum of 5 inches (12.7 cm) beyond the bottom of the cabinets. For detail information, please refer to the **Minimum dimensions** section on page 13.

### Cooktop safety

#### ⚠ WARNING

To reduce the risk of fire, electric shock, personal injuries, and/or death, obey the following precautions.



- **Make sure** all burners are off when not in use.
- **Do not use** aluminium foil to line the grates or any part of the cooktop.
- **Do not leave** burners unattended on medium or high heat settings.
- Before igniting, **make sure** all burner caps are properly in place and all burners are level.
- Always use the **Lite** (🔥) position when igniting the burners and make sure the burners have ignited. If ignition fails, turn the knob to **OFF** and wait until the gas has dissipated.
- When you set a burner to simmer, **do not turn** the knob quickly. Make sure the flame stays on.
- **Do not** place any objects other than cookware on the cooktop.

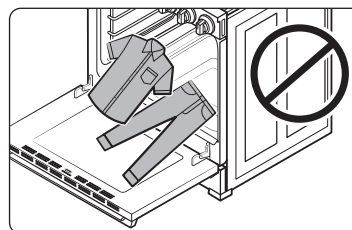


- This cooktop is designed to cook with a wok or wok ring attachment. If foods are flamed, they should only be flamed under a ventilation hood that is on.
- Before removing or changing cookware, turn off the burners.
- Remove food and cookware immediately after cooking.
- Before removing any parts of the burner for cleaning, make sure the range is off and completely cool.
- After cleaning the burner spreader, **make sure** it is completely dry before re-assembling.
- **Make sure** the spark mark on the dual burner spreader is placed beside the electrode when it is assembled.
- To avoid carbon monoxide poisoning, **do not pour** water into the cooktop well while cleaning.
- Select cookware that is designed for top-range cooking. Use cookware that is large enough to cover the burner grates. Adjust the burner flames so that the flames do not extend beyond the bottom of the cookware.
- To avoid cookware discoloration, deformity, and/or carbon monoxide poisoning, **do not use** cookware that is exceedingly larger than the grate.
- **Make sure** cookware handles are turned to the side or rear of the cooktop, but not over other surface burners.
- Stand away from the range while frying.
- Always heat frying oils slowly, and watch as they heat. If you are frying foods at high heat, carefully watch during the cooking process. If a combination of fats or oils is to be used during frying, mix them together before heating.
- Use a deep-fryer thermometer whenever possible. This prevents overheating the fryer beyond the smoking point.
- Use a minimum amount of oil when shallow pan-frying or deep-frying. Avoid cooking unthawed food or food with excessive amounts of ice.
- Before moving cookware full of fats or oils, make sure it has completely cooled.
- To prevent delayed eruptive boiling, always allow heated liquids to stand at least 20 seconds after you have turned off the burner so that the temperature in the liquid can stabilize. In the event of scalding, follow these first aid instructions:
  1. Immerse the scaled area in cool or lukewarm water for at least 10 minutes.
  2. Do not apply any creams, oils, or lotions.
  3. Cover with a clean, dry cloth.

## Oven safety

### ⚠ WARNING

To reduce the risk of fire, electric shock, personal injuries, and/or death, obey the following precautions.



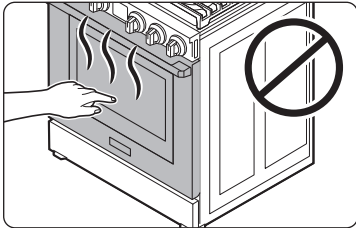
- **Do not use** the oven for non-cooking purposes such as drying clothes or storage. Use the oven for cooking purposes only.
- **Make sure** the inner portion of the split oven-rack is in the proper position within the outer rack.
- **Make sure** the oven racks are placed on the same level on each side.
- **Do not damage, move, or clean** the door gasket.
- **Do not spray** water on the oven glass while the oven is on or just after you have turned it off.
- **Do not use** aluminium foil or foil liners anywhere in the oven. Do not use aluminium foil or like material to cover any holes or passages in the oven bottom or to cover an oven rack.
- Stand away from the oven when opening the oven door.
- Keep the oven free from grease buildup.
- When repositioning the oven racks, **make sure** the oven is completely cool.
- To avoid damaging the burner control knobs, always bake and/or broil with the oven door closed.
- **Do not broil** meat too close to the burner flame(or heater). Trim excess fat from meat before cooking.
- When using cooking or roasting bags in the oven, follow the manufacturer's directions.
- Keep oven vent ducts which is below the controlbox unobstructed. This area could become hot during oven use. Never block this vent or place plastic or heat-sensitive items on it.

## Important safety information

### Self-cleaning oven safety

#### ⚠ WARNING

To reduce the risk of fire, electric shock, personal injuries, and/or death, obey the following precautions.

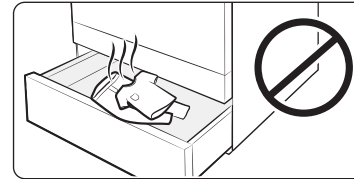


- The self-cleaning feature operates the oven at temperatures high enough to burn away food soils in the oven. The range is extremely hot during a self-cleaning cycle. **Do not touch** any surfaces of the range during a self-cleaning cycle.
- Keep children away from the oven during a self-cleaning cycle.
- Before starting a self-cleaning cycle, **remove** all racks, cookware, and utensils from the oven. Only porcelain-coated oven racks may be left in the oven.
- Before starting a self-cleaning cycle, wipe grease and food soils from the oven.
- **Do not put** the lower drawer into the oven cavity when you run a self-cleaning cycle.
- When opening the door after a self-cleaning cycle, stand away from the oven.
- If the self-cleaning cycle malfunctions, turn off the oven, disconnect the power supply, and contact a qualified service technician.

### Storage drawer safety

#### ⚠ WARNING

To reduce the risk of fire, electric shock, personal injuries, and/or death, obey the following precautions.



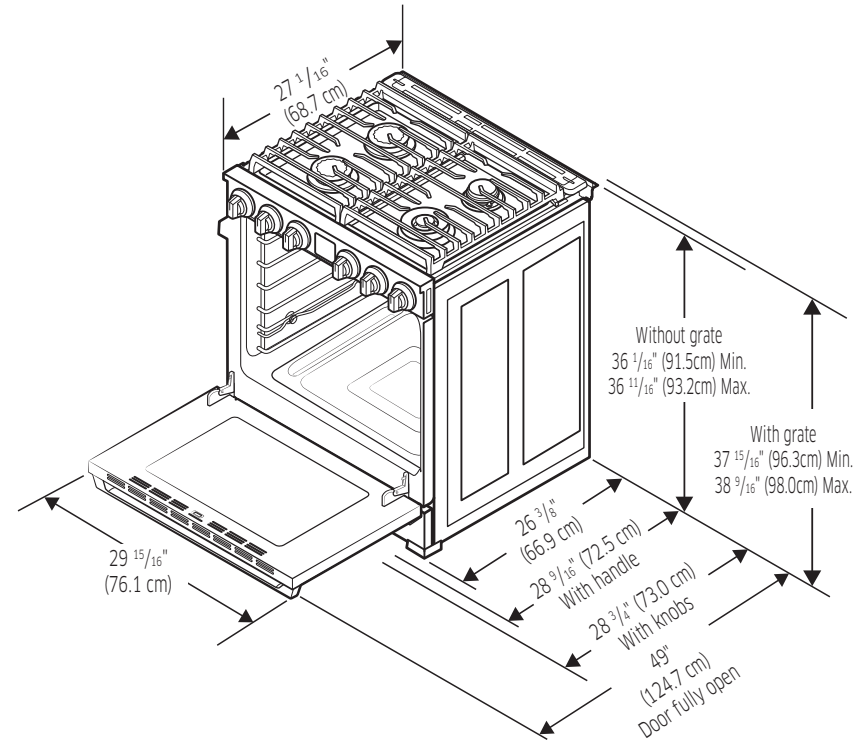
- **Do not use** the drawer for non-cooking purposes such as drying clothes or storage. Use the drawer for cooking purposes only.
- **Do not touch** the interior drawer surface or heating element.
- To avoid steam burns, use caution when opening the drawer.
- **Do not use** aluminium foil to line the drawer.
- **Do not use** the drawer in the oven. **Do not put** the drawer in the oven during a self-cleaning cycle.
- **Do not leave** containers of fat drippings in or near the drawer.

# Gas range components

## Dual Fuel range specifications

### MODEL DOP30\*\*40D\*

<b>Description</b>	Dual fuel Range
<b>Overall dimensions</b>	29 15/16 in (W) × 36 1/16 in (H) × 26 3/8 in (D) 761 mm (W) × 932 mm (H) × 669 mm (D)
<b>Electrical</b>	Refer to the rating label.
<b>Gas, NG (natural gas)</b>	5-13 in WC
<b>Gas, LP (liquid propane)</b>	10-13 in WC
<b>Surface burners (NG)</b>	(LF)-16,000 BTU / (LR)-16,000 BTU (RF)-23,000 BTU / (RR)-9,500 BTU
<b>Surface burners (LP)</b>	(LF)-15,000 BTU / (LR)-15,000 BTU (RF)-17,500 BTU / (RR)-9,500 BTU
<b>Oven heater</b>	Bake - 3000 W Broil - 4200 W



Gas range components

# Installation requirements

## Location requirements

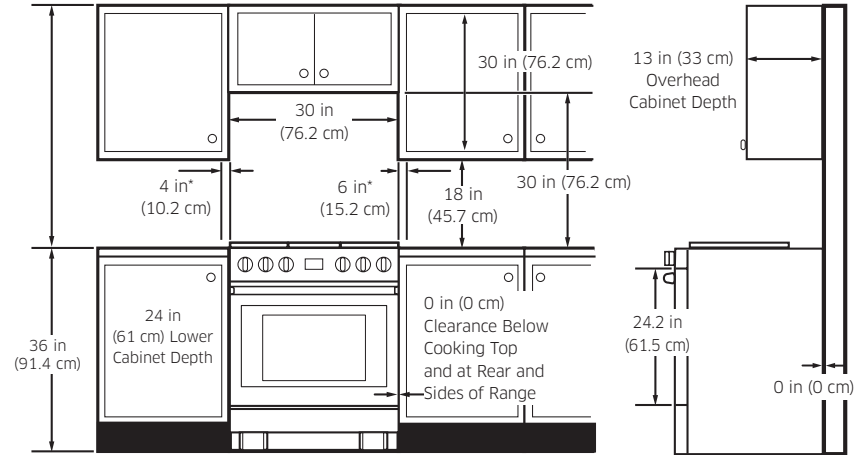
### Clearances and dimensions

#### NOTE

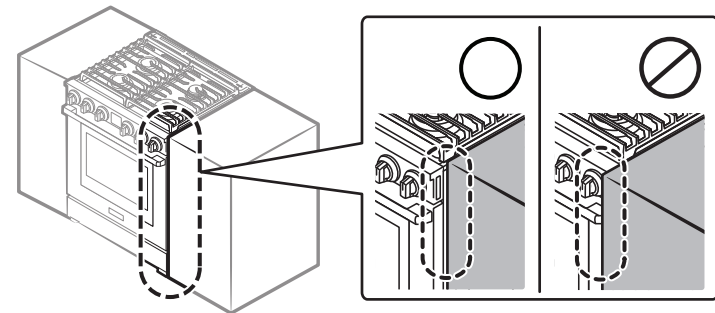
- For OTR over Gas Stove, please follow local GAS CODE.
- BEFORE YOU BEGIN** to install this appliance, refer to the following information, dimensions, and clearances. **Do not locate the range where it may be subject to strong drafts.** Provide adequate clearances between the range and adjacent combustible surfaces. These dimensions must be met for safe use of the range. The location of the electrical outlet and gas piping may be adjusted to meet the following dimensions and clearances.
- For installation in Canada, a free-standing range is not to be installed closer than 4.7 in (12 cm) from any adjacent surface.

#### CAUTION

This range has been designed to comply with the maximum allowable wood cabinet temperature of 194 °F (90 °C). Make sure the wall covering, countertops, and cabinets around the range can withstand the heat (up to 194 °F [90 °C]) generated by the range. If not, discoloration, delamination, or melting may occur.



\* Side clearance above cooking surface to any objects, i.e., wall.



#### CAUTION

**DO NOT** install the oven so that the door is flush with the cabinet.

## Minimum dimensions

### ⚠ CAUTION

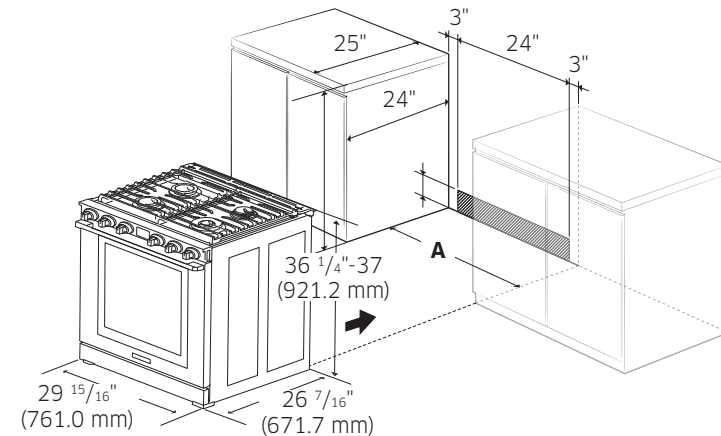
- If overhead cabinets are installed, a range hood should also be installed and project horizontally a minimum of 5" (12.7 cm) beyond the front of the cabinets. Hood is necessary to dissipate any heat buildup in the overhead cabinets to prevent possibility of fire, personal injury and/or death. The ventilating hood must be constructed of sheet metal not less than 0.0122" thick and installed above the cooktop with a clearance of not less than ¼" between the hood and the underside of the combustible material or metal cabinet. The hood must be at least as wide as the appliance and centered over the appliance. Clearance between the cooking surface and the ventilation hood surface must never be less than 24".
- **Exception 1** : Installation of a listed microwave oven or cooking appliance over the cooktop shall conform to the installation manual provided with the appliance.
  - 30" (76.2 cm) minimum clearance between the top of the cooking surface and the bottom of an unprotected wood or metal cabinet; or if 30" (76.2 cm) clearance is not possible, minimum of 24" (61 cm) can be used when the bottom of the wood or metal cabinet is protected by not less than ¼" (0.64 cm) flame-retardant millboard covered with not less than no. 28 MSG sheet steel, 0.015" (0.038 cm) stainless steel, 0.024" (0.061 cm) aluminum, or 0.020" (0.051 cm) copper.
  - 18" (45.7 cm) of minimum clearance between the countertop and the adjacent cabinet bottom.
- **Exception 2** : For island installation, maintain 2½" minimum from cutout to back edge of countertop and 4" minimum from cutout to side edges of countertop.

## Installation guide

### IMPORTANT:

To eliminate the risk of burns or fire caused by reaching over heated surface units, avoid having cabinet storage space located above the surface units. If you have cabinet storage space over the heating elements, you can reduce the risk by installing a range hood that projects horizontally a minimum of 5 inches beyond the bottom of the cabinets.

### Installation guide

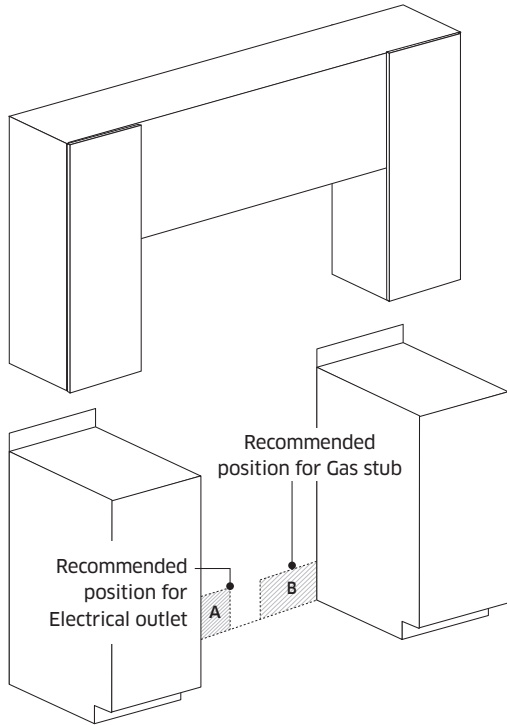


**A: Cabinet opening 30" (76.2)**

**IMPORTANT:** If your cabinet have height over 37", this range cannot be installed without supporting unit like hard block.

# Installation requirements

## Recommended locations for gas piping and electrical outlets



Model	DOP30**40D*
A	<b>Electrical outlet</b> 9 7/8" (W) X 6 7/8" (H) (25.1 cm x 17.5 cm)
B	<b>Gas piping</b> 17 15/16" (W) X 5 3/8" (H) (45.5 cm x 13.8 cm)

### **⚠ CAUTION**

You must use the rear filler kit to install the range in a freestanding cutout cabinet. For more information, see "Optional rear filler kit" as shown below.

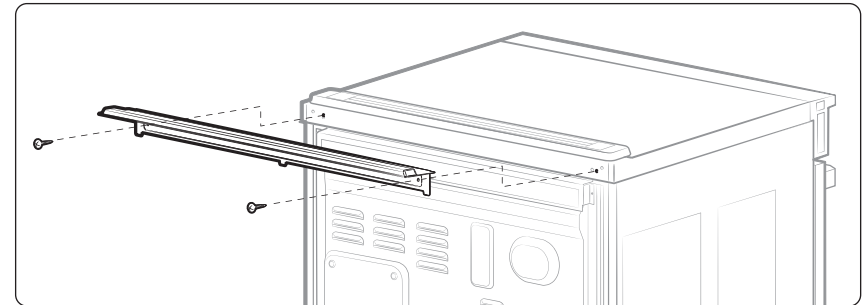
## Optional rear filler kit

### **⚠ WARNING**

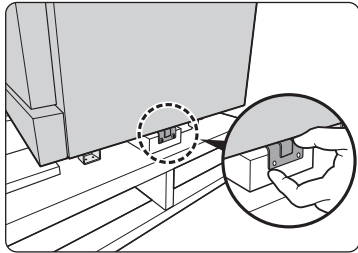
Used to fill gap between the range back and wall. Adds a filler strip to the rear of the range. This kit can only be used when the opening in the countertop is 25" deep.

### **📖 NOTE**

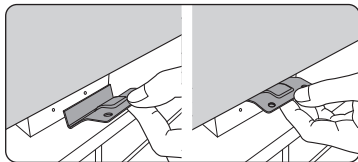
If the countertop depth is greater than 25", there will be a gap between the filler kit and the back wall.



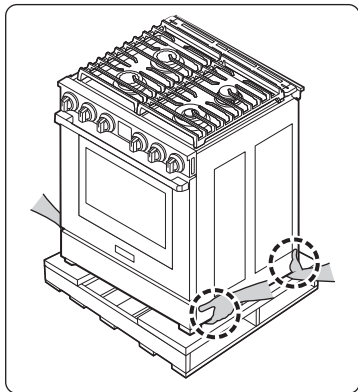
## To remove safely from the pallet



1. Remove the screws from the bottom bracket on either side of the unit.

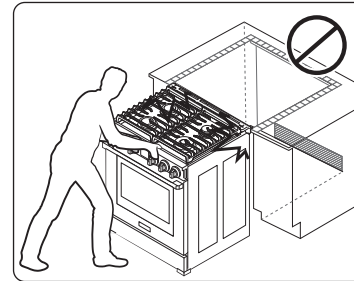


2. Press the bracket on either side to pull out.



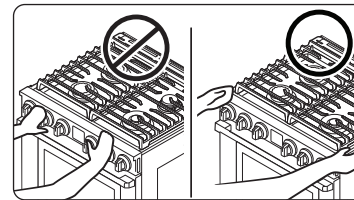
3. Have two persons hold both bottom sides of the unit and lift up to remove from the pallet. Use caution not to hold the door handle.

## To avoid breakage



### ⚠ CAUTION

- Please **DO NOT** push the unit strongly when you install. These actions can cause the damage to the unit.

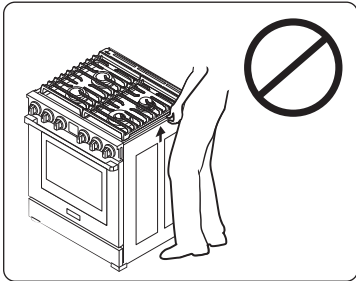


- Hold the upper left/right area of the door (not the door handle) with both hands and push the unit in. Do not grab the door handle or push the burner knobs.

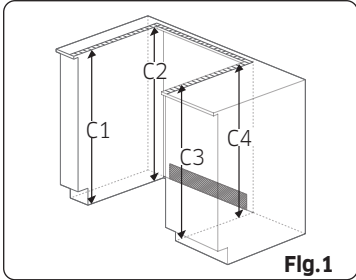
# Installation requirements

## ⚠ CAUTION

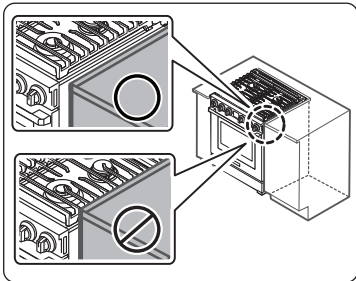
Do NOT lift or handle the unit by the cooktop frame.



1. The counter top around the cut-out should be flat and leveled (See hatched area on Fig. 1).
2. Before installing the unit, measure the heights of the two cabinet sides (C1~C4), front and back (See Fig. 1)
3. Level the range using the four leveling legs so that the height from the floor to the underside of the cooktop frame is greater than the tallest cabinet measurement **by at least  $\frac{1}{16}$ "**.



4. Slide the unit into the cabinet (**DO NOT PUSH THE UNIT HARD**). Make sure the center of the unit aligns with the center of the cabinet cut-out.
5. The metal flange under each side of the cooktop **MUST** be placed over the cabinet countertop for proper unit support. The cooktop should **NOT** rest directly on the countertop or else it could cause damage to the cooktop voiding the warranty. Level the unit if needed.



## Gas requirements

### Provide adequate gas supply

**This range is designed to operate at a pressure of 5 in (13 cm) of water column on natural gas or 10 in (25 cm) of water column on LP gas (propane or butane).**

Make sure you are supplying your range with the type of gas for which it is designed.

**Do not attempt to convert the appliance from the gas specified in this manual to a different gas without consulting the gas supplier.**

This range is convertible for use on natural or propane gas. If you decide to use this range on LP gas, conversion must be made by a qualified LP installer before attempting to operate the range.

For proper operation, the pressure of natural gas supplied to the regulator must be between 5 in and 13 in (13 cm and 33 cm) of water column.

For LP gas, the pressure supplied must be between 10 in and 13 in (25 cm and 33 cm) of water column.

When checking for proper operation of the regulator, the inlet pressure must be at least 1 in (2.5 cm) greater than the operating (manifold) pressure as given.

The pressure regulator located at the inlet of the range manifold must remain in the supply line regardless of whether natural or LP gas is being used.

A flexible-metal appliance connector used to connect the range to the gas supply line should have an I.D. of 0.5 in (1.3 cm) and be 5 ft (152 cm) in length for ease of installation. In Canada, flexible connectors must be single-wall metal connectors no longer than 6 ft (183 cm) in length.

**Do not kink or damage the flexible metal tubing when moving the range.**



---

## Special gas requirements (gas models sold in Massachusetts)

---

### COMMONWEALTH OF MASSACHUSETTS REQUIREMENTS:

#### WARNING

- Gas leaks may occur in your system, creating a dangerous situation.
  - Gas leaks may not be detected by smell alone.
  - Gas suppliers recommend you purchase and install a UL-approved gas detector. Gas detector should be installed in accordance with the manufacturers instructions.
- Range must be installed by a qualified plumber or gas fitter by the State of Massachusetts.
- A T-handle manual gas valve MUST be installed in the gas supply line to your range.
- If a flexible gas connector is used to install your range, multiple flexible gas lines must not be connected in series.

---

## Electrical requirements

---

#### WARNING

To reduce the risk of fire, electric shock, or personal injury:

#### All ranges

- Do not use an extension cord or adapter plug with this range.
- This range must be properly grounded.
- Check with a qualified electrician if you are in doubt as to whether your range is properly grounded.
- Do not modify the plug provided with your range—if it doesn't fit the outlet, have a proper outlet installed by a qualified electrician.
- All wiring and grounding must be done in accordance with local codes or, in the absence of local codes, with the National Electrical Code, ANSI/NFPA No. 70 – Latest Revision (for the U.S.) or the Canadian Electrical Code CSA C22.1 – Latest Revisions and local codes and ordinances.
- Wiring diagram is located on the back of the range. (Inside of the cover back wire)
- This range is equipped with an electronic ignition system that will not operate if plugged into an outlet that is not properly polarized.

#### Dual fuel models

- Canada models are equipped with a power cord with an equipment-grounding conductor and a grounding plug.  
(The power cord is not provided in US model.)
- A 240-Volt, 60-Hz, AC, approved electrical service with 40-amp circuit breaker or time-delay fuse is required for all U.S. and Canadian models.
- Check for ¾-in (1.9-cm) UL-listed strain relief where the power cord comes out of the range cabinet.
- Do not reuse a power supply cord from an old range or other appliance.
- The power cord electric supply wiring must be retained at the range cabinet with a suitable UL-listed strain relief.
- A time-delay fuse or circuit breaker is also recommended.

# Installation requirements

## Grounding

- All ranges must be grounded for personal safety.
- All gas models have a power cord with an equipment-grounding conductor and a grounding plug.
- The plug must be firmly plugged into a 3-prong or 4-prong outlet that is properly installed and grounded in accordance with all local codes and ordinances. In the event of a malfunction or breakdown, grounding will decrease the risk of electrical shock by providing a path for the electric current.
- Do not use a damaged power plug or loose wall outlet.
- Do not use an extension cord or adapter with this appliance.
- Do not, under any circumstances, cut, modify, remove, or otherwise defeat the grounding if quipped. If the plug and the outlet do not match or you have any doubt, have a qualified electrician install the proper outlet. The customer should have the wall receptacle and circuit checked by a qualified electrician to make sure the receptacle is properly grounded. Ground Fault Circuit Interrupters(GFCIs) are not required or recommended for range receptacles.
- **NEVER** connect ground wire to plastic plumbing lines, gas lines, or water pipes.

### CAUTION

Failure to follow these instructions can result in death, fire, or electrical shock.

## Usage situations where appliance power cord will be disconnected frequently

Do not use an adapter plug in these situations because disconnecting of the power cord places under strain on the adapter and leads to eventual failure of the adapter ground terminal. 240 V plug have 3 or 4 prongs and are not supplied with a unit.

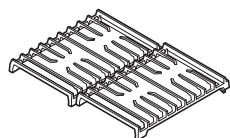
## Additional installation requirements for mobile homes

The installation of appliances designed for mobile home installation must conform with the Manufactured Home Construction and Safety Standard, Title 24 CFR, Part 3280 (formerly the Federal Standard for Mobile Home Construction and Safety, Title 24, HUD, Part 280) or, when such standard is not applicable, the Standard for Manufactured Home Installations, latest edition (Manufactured Home Sites, Communities and Set-Ups), ANSI A225.1, latest edition, or with local codes. In Canada, mobile home installation must be in accordance with the current CAN/CSA Z240/MH Mobile Home Installation Code.

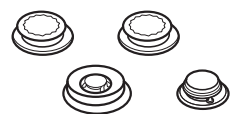
# Tools and materials

## What's in the box

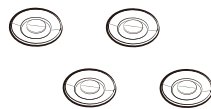
### Parts supplied



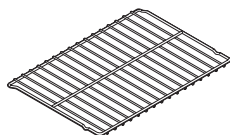
Grates (2)



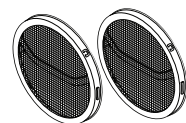
Burner heads (4) and  
Burner caps (4)



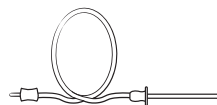
Brass burner caps(4)



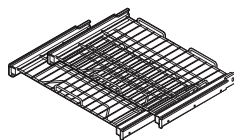
Flat rack (1)



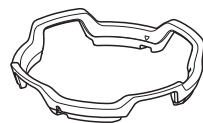
Convection filters (2)



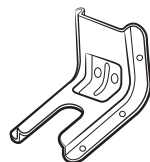
Temperature probe (1)



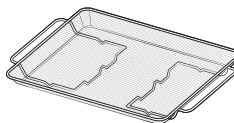
Gliding racks (2)



Wok ring (1)



Anti-tip bracket (1)



Air Fry tray (1)

### NOTE

- Make sure you have received all of the supplied parts shown above.
- If your range was damaged during shipping or you do not have all of the supplied parts, contact your local retailer.

### Parts needed



4-wire cord or  
3-wire cord



Gas line  
shut-off valve



Flexible metal  
appliance connector  
½" (ID) x 5 ft



Flare union adapter  
¾" or ½" (NPT) x ½" (ID)



Flare union adapter  
½" (NPT) x ½" (ID)



135-degree elbow  
(optional)



Lag bolt or ½" (OD)  
sleeve anchor

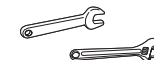
### Tools needed



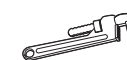
Flat-blade  
screwdriver



Phillips  
screwdriver



Open-end or  
adjustable wrench



Pipe wrench (2)



Pencil and ruler



Level



Pipe joint compound



Nut driver



Utility knife



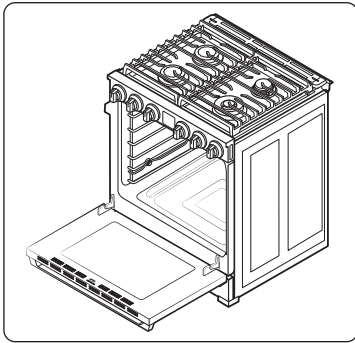
Soapy water solution

# Installation instructions

## Installing your Dual fuel Range

### NOTE

- **IMPORTANT:** Please read the following instructions, as well as the Important Safety Instructions section at the front of this manual, completely and carefully BEFORE installing and/or operating the gas range. Improper installation, adjustment, service, or maintenance can cause personal injury or property damage.



- To order parts or accessories, contact your local retailer or refer to the last page.
- To ensure proper installation, we strongly recommend that you hire a professional installer.

### Step 1. Unpack the range

Remove all packaging materials. Failure to remove packaging materials could result in damage to the appliance. Inventory all loose parts against the 'Parts supplied' overview on page 19. Check for shipping damage and/or missing parts. Any damage and/or missing parts should be reported to your local retailer.

### Step 2. Meeting electrical connection requirements

#### CAUTION

For personal safety, do not use an extension cord with this appliance. Remove house fuse or open circuit breaker before beginning installation.

This appliance must be supplied with the proper voltage and frequency, and connected to an individual properly grounded branch circuit, protected by a circuit breaker or fuse having amperage as specified on the rating plate. The rating plate is located on the bottom side of the control panel.

We recommend you have the electrical wiring and hookup of your range connected by a qualified electrician. After installation, have the electrician show you where your main range disconnect is located. Check with your local utilities for electrical codes which apply in your area. Failure to wire your oven according to governing codes could result in a hazardous condition.

If there are no local codes, your range must be wired and fused to meet the requirements of the National Electrical Code, ANSI/NFPA No. 70-Latest Edition. You can get a copy by writing:

National Fire Protection Association  
Batterymarch Park  
Quincy, MA 02269

**Effective January 1, 1996, the National Electrical Code requires that new construction (not existing) utilize a 4-conductor connection to an electric range. When installing an electric range in new construction, follow Steps 2 and 3 for 4-wire connection.**

You must use a 3-wire or 4-wire, single-phase A.C. 208Y/120 Volt or 240/120 Volt, 60 hertz electrical system.

If the electrical service provided does not meet the above specifications, have a licensed electrician install an approved outlet.

Use only a 3-conductor or a 4-conductor UL-listed range cord. These cords may be provided with ring terminals on wire and a strain relief device.

A range cord rated at 40 amps with 125/250 minimum volt range is required.

A 50 amp range cord is not recommended but if used, it should be marked for use with nominal 1 $\frac{3}{8}$ " diameter connection openings. Care should be taken to center the cable and strain relief within the knockout hole to keep the edge from damaging the cable.

Because range terminals are not accessible after range is in position, flexible service conduit or cord must be used.

**NOTE**

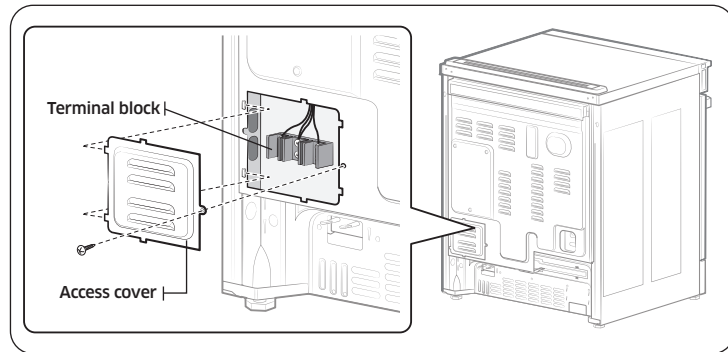
If conduit is being used, go to **Step 5** on pages 23–24.



**ALL NEW BRANCH-CIRCUIT CONSTRUCTIONS, MOBILE HOMES, RECREATIONAL VEHICLES AND INSTALLATIONS WHERE LOCAL CODES DO NOT ALLOW GROUNDING THROUGH NEUTRAL, REQUIRE A 4-CONDUCTOR UL-LISTED RANGE CORD.**

**Step 3. Accessing the power cord connection**

Remove the rear access cover and loosen the screw with a screwdriver. The terminal block will then be accessible.

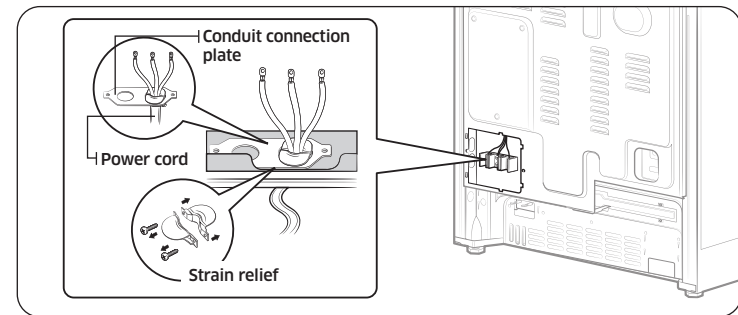


**Specified power-supply-cord kit rating**

Range rating, watts		Specified rating of power-supply-cord kit, amperes	Diameter (inches) of range connection opening	
120/240 volts 3-wire	120/208 volts 3-wire		Power cord	Conduit
8750 - 16500	7801 - 12500	40 or 50 A	1 $\frac{3}{8}$ "	1 $\frac{1}{8}$ "

**Step 4. Installing the power cord**

For power cord installations, hook the strain relief over the power cord hole (1 $\frac{3}{8}$ " located below the rear of the drawer body. Insert the power cord through the strain relief and tighten the device.



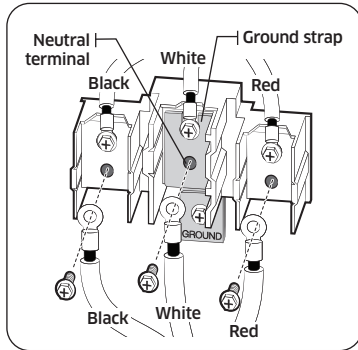
- You must install the power cord with a strain relief.
- Attach the strain relief to the 1 $\frac{3}{8}$ " opening in conduit connection plate.

# Installation instructions

## Installing a 3-wire power cord

### ⚠ WARNING

The neutral or ground wire of the power cord must be connected to the neutral terminal located in the center of the terminal block. The power leads must be connected to the lower left and the lower right terminals of the terminal block.

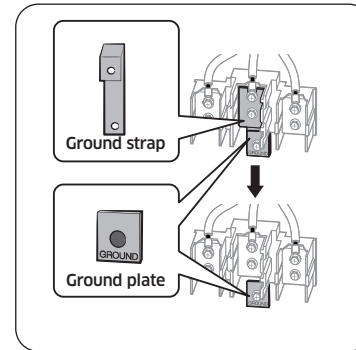


1. Remove the 3 lower terminal screws from the terminal block.
2. Insert the 3 terminal screws through each power cord terminal ring and into the lower terminals of the terminal block. Be certain that the center wire (white/neutral) is connected to the center lower position of the terminal block.
3. Tighten screws securely into the terminal block. **DO NOT remove the ground strap connection.**
4. Go to **Step 6** on page 24 and proceed with the installation.

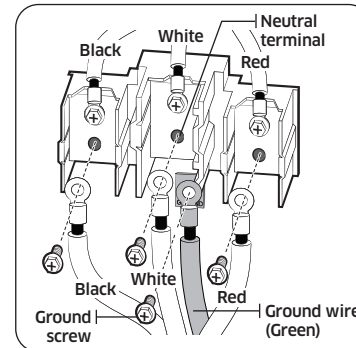
## Installing a 4-wire power cord

### ⚠ WARNING

The neutral wire of the supply circuit must be connected to the neutral terminal located in the lower center of the terminal block. The power leads must be connected to the lower left and the lower right terminals of the terminal block. The 4th grounding lead must be connected to the frame of the range with the ground plate and the ground screw.



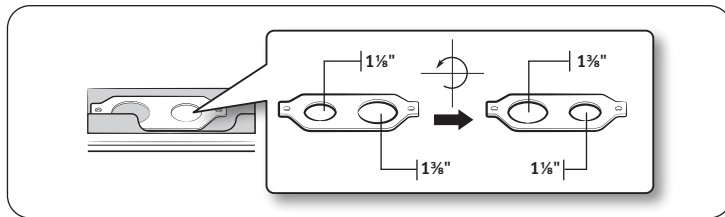
1. Remove the 3 lower terminal screws from the terminal block. Remove the ground screw and ground plate and retain them.
2. **Cut and discard the ground strap. Do not discard any screws.**
3. Insert the one ground screw into the power cord ground wire terminal ring, through the ground plate, and into the frame of the range.
4. Insert the 3 terminal screws (removed earlier) through each power cord terminal ring and into the lower terminals of the terminal block. Be certain that the center wire (white/neutral) is connected to the center lower position of the terminal block. Tighten screws securely into the terminal block.
5. Go to **Step 6** on page 24 and proceed with the installation.



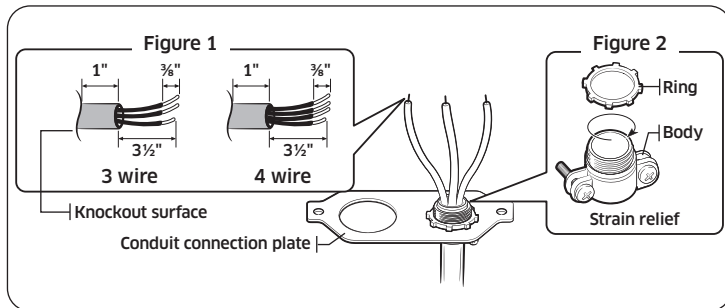
### Step 5. Installing the conduit

Remove the conduit connection plate from the rear of the drawer body and rotate it as shown below.

The conduit hole (1 1/8") must be used.



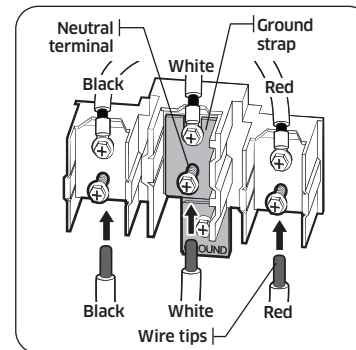
1. Prepare the conduit cord shown in Figure 1.
2. Install the conduit cord as shown in Figure 2.



For conduit installations, insert the strain relief (not included) into the conduit hole (1 1/8"). Then thread the conduit cord through the body of the strain relief and fasten the ring. Reinstall the bracket.

### Installing a 3-wire conduit

- Aluminum building wire may be used but it must be rated for the correct amperage and voltage to make the connection. Connect wires according to Step 4 depending on the number of wires.
- Wire used, location and enclosure of splices, etc., must conform to good wiring practices and local codes.

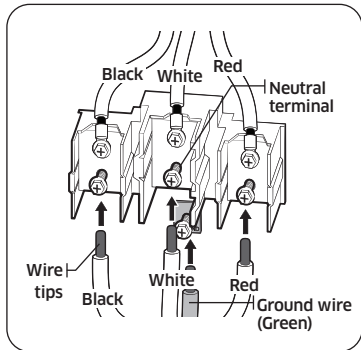
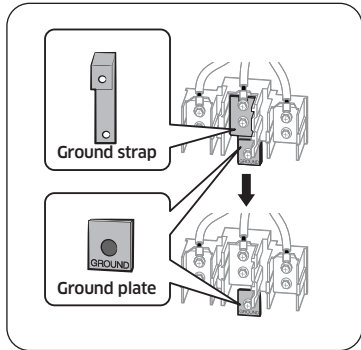


1. Loosen the 3 lower terminal screws from the terminal block.
2. Insert the center bare wire (white/neutral) tip through the bottom center terminal block opening. On certain models, the wire will need to be inserted through the ground strap opening and then into the bottom center block opening.
3. Insert the two side bare wire tips into the lower left and the lower right terminal block openings.
4. Tighten the screws until the wire is firmly secured (35 to 50 inch-lbs.). Do not over-tighten the screws since it could damage the wires.
5. Go to **Step 6** on page 24 and proceed with the installation.

# Installation instructions

## Installing a 4-wire conduit

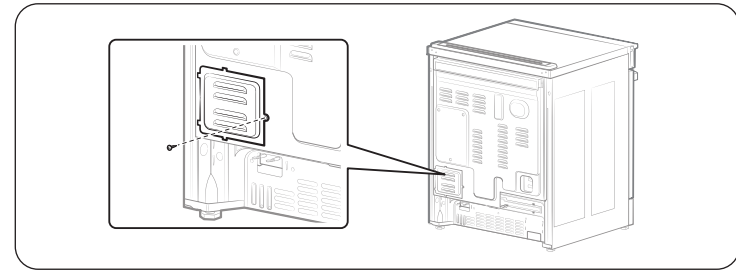
- Aluminum building wire may be used but it must be rated for the correct amperage and voltage to make the connection. Connect wires according to this Step 4 depending on the number of wires.
- Wire used, location and enclosure of splices, etc., must conform to good wiring practices and local codes.



1. Loosen the 3 lower terminal screws from the terminal block. Remove the ground screw and ground plate and retain them.
2. **Cut and discard the ground strap. Do not discard any screws.**
3. Insert the ground bare wire tip between the range frame and the ground plate (removed earlier) and secure it in place with the ground screw (removed earlier).
4. Insert the bare wire (white/neutral) tip through the bottom center of the terminal block opening.
5. Insert the two side bare wire tips into the lower left and the lower right terminal block openings.
6. Tighten the screws until the wire is firmly secured (35 to 50 inch-lbs.). Do not over-tighten the screws since it could damage the wires.
7. Go to **Step 6** and proceed with the installation.

## Step 6. Replacing the access cover

Replace the access cover on the range back. To replace the wire cover, insert double projections in the pockets located below the opening and tighten the screw.





---

### Step 7. Connect the range to gas supply

**Shut off the main gas supply valve before disconnecting the old range and leave it off until the new hookup has been completed. Don't forget to relight the pilot on other gas appliances when you turn the gas back on.**

Because hard piping restricts movement of the range, the use of a CSA International-certified flexible metal appliance connector is recommended unless local codes require a hard-piped connection.

#### **WARNING**

If the information in this manual is not followed exactly, a fire or explosion may result, causing death, personal injury, or property damage.

- Do not store or use gasoline or other flammable vapors and liquids in the vicinity of this or any other appliance.
- WHAT TO DO IF YOU SMELL GAS:
  - DO NOT light a match, candle, or cigarette.
  - DO NOT try to light any appliance.
  - DO NOT touch any electrical switch.
  - DO NOT use any phone in your building.
  - Clear the room, building, or area of all occupants.
  - Immediately call your gas supplier from a neighbor's phone. Follow the gas supplier's instructions.
  - If you cannot reach your gas supplier, call the fire department.
- Installation and service must be performed by a qualified installer, service agency, or gas supplier.

Never use an old connector when installing a new range. If the hard-piping method is used, you must carefully align the pipe; the range cannot be moved after the connection is made.

To prevent gas leaks, apply pipe-joint compound or wrap pipe-thread tape with Teflon on all male (external) pipe threads.

- 
1. Install a manual gas line shut-off valve in the gas line in an easily accessed location outside of the range. Make sure everyone operating the range knows where and how to shut off the gas supply to the range.
  2. Install male 0.5-in (1.3-cm) flare union adapter to the 0.5-in (1.3-cm) NPT internal thread at the regulator inlet. Use a backup wrench on the regulator fitting to avoid damage. When installing the range from the front, remove the 90 ° elbow for easier installation.
  3. Install male 0.5-in (1.3-cm) or 0.75-in (1.9-cm) flare union adapter to the NPT internal thread of the manual shut-off valve, taking care to back up the shut-off valve to keep it from turning.
  4. Connect flexible metal appliance connector to the adapter on the range. Position range to permit connection at the shut-off valve.
  5. When all connections have been made, make sure all range controls are in the off position and turn on the main gas supply valve. Use a liquid leak detector at all joints and connections to check for leaks in the system.

#### **WARNING**

To prevent death, personal injury, explosion, and/or fire hazard, **DO NOT** use a flame to check for gas leaks.

When using test pressures greater than ½ psig to pressure-test the gas supply system of the residence, disconnect the range and individual shut-off valve from the gas supply piping. When using test pressures of ½ psig or less to test the gas supply system, simply isolate the range from the gas supply system by closing the individual shut-off valve.

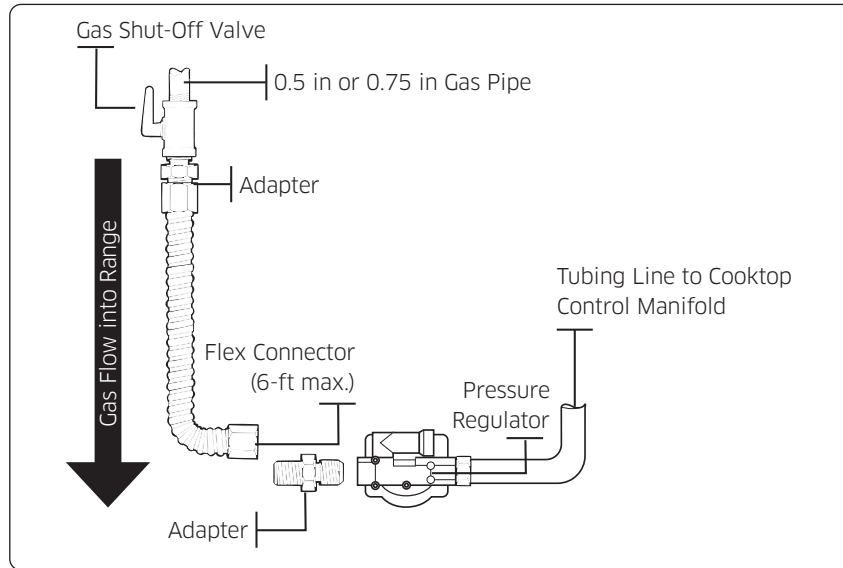
# Installation instructions

## ⚠ WARNING

Do not exceed 25 ft-lbs of torque when making gas line connections. Overtightening may crack the pressure regulator resulting in gas leak.

### Flexible connector hookup

Installer: Inform the consumer of the location of the gas shut-off valve.



## 📄 NOTE

- If your area requires a rigid pipe hookup, contact a qualified installer, service agency, or gas supplier.
- The gas shut-off valve should be installed in an accessible location in the gas piping, external to the appliance, for the purpose of turning on or shutting off the gas to the appliance.

## Step 8. Convert to lp gas (optional)

All new ranges are shipped from the factory set up to use natural gas.

This Dacor range can be converted to use LP gas.

(Contact a qualified service technician.)

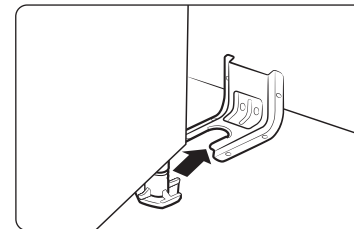
The conversion process should only be performed by a qualified LP gas installer. Conversion instructions and LP orifices will be supplied with the LP conversion kit. The conversion to LP requires all burner orifices to be changed (4 surface burners). In addition, the nozzle on the gas pressure regulator needs to be reversed. All replaced orifices must be left with the consumer, including the instructions and retrofit sizes and orifice indication.

Checking the flame quality all burner after converting to LP gas.

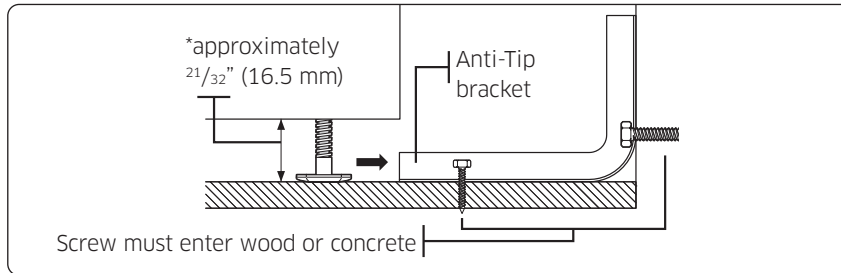
## Step 9. Install the anti-tip device

### ⚠ WARNING

- To reduce the risk of tipping, the appliance must be secured by properly installing the anti-tip device packed with the appliance.
- All ranges can tip, resulting in personal injury.
- Tipping ranges can cause burns from spills, personal injury, and/or death.
- To prevent accidental tipping, install and check the anti-tip bracket following the instructions and template supplied with the bracket.



An anti-tip bracket and screws, installation instructions, and template are shipped with every range (PN DG94-00870B). The instructions include information necessary to complete the installation of the anti-tip bracket. Read and follow the instructions on the sheet and use the template for anti-tip bracket installation. If not properly installed, the range could be tipped by you or a child standing, sitting, or leaning on an open oven door.



#### **NOTE**

To install the Anti-tip bracket, release the leveling leg using pipe wrench because Loctite is applied on Bolt for vibration unlocking. A minimum clearance of  $21/32$ " (16.5 mm) is required between the range bottom and the kitchen floor.

To check if the bracket is installed and engaged properly, remove storage drawer and look underneath the range to see that the leveling leg is engaged in the bracket. Carefully tip the range forward. The bracket should stop the range within 4 inches (10.2 cm) of tipping. If it does not, the bracket must be reinstalled. If the range is pulled from the wall for any reason, always repeat this procedure to verify the range is properly secured by the anti-tip bracket. Never completely remove the leveling legs or the range will not be secured to the anti-tip device properly.

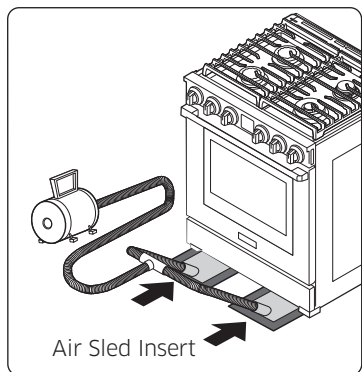
#### Step 10. Plug in and place

#### **WARNING**

- **BEFORE OPERATING OR TESTING, follow the grounding requirements on pages 17-18 in this manual. Improper connection of the grounding plug can result in a risk of electric shock.**  
Please review "Electrical requirements" on pages 17-18.
  - Altering any part of this system may result in a short or overload.
1. Plug in the power cord. Make sure the outlet meets local or national electrical codes as referenced on pages 17-18.
  2. Slide the range into place.
  3. Check the gas supply line to make sure it did not get damaged and it stayed connected during positioning.
  4. Check to make sure the back leg of the range has slid into the anti-tip bracket. Carefully tip the range forward to ensure that the anti-tip bracket engages the back brace and prevents tip-over.

# Installation instructions

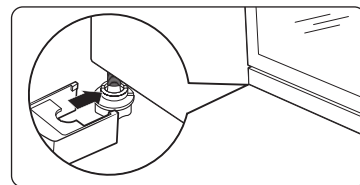
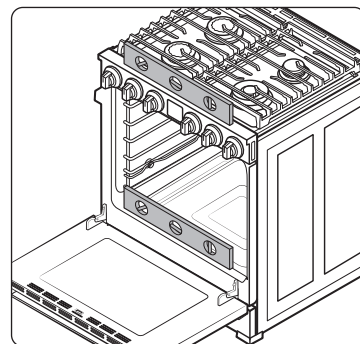
## Step 11. Moving and placing the range



1. Due to the weight, heavy equipment movers such as Air Sled should be used to move this unit. The weight must be supported uniformly across the bottom.
2. After transporting the range by Air Sled where you want, the range can be leveled by adjusting the legs with a wrench while Air Sled is supported. Using a wrench, level the range by turning the front leveling legs in or out as necessary. Counterclockwise shortens the leg and lowers the range. Clockwise lengthens the leg and raises the range.

### NOTE

Adjust the leveling legs only as far as necessary to level the range. Extending the leveling legs more than necessary or removing legs can cause the range to be unstable.



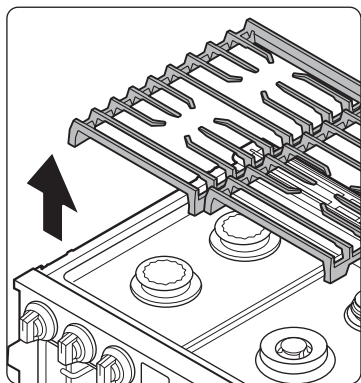
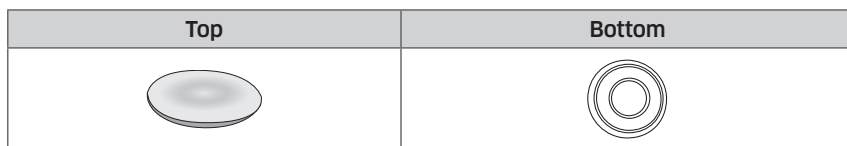
3. If range is next to or between cabinets, make sure the cooktop (without the surface burner grates) is level with the countertops.
4. Position an oven rack in the center rack position.
5. Check the level of the range with a carpenter level using the two positions shown at right.
6. After the range becomes level, Use Air Sled to move the range away from the wall so that the anti-tip bracket can be installed.
7. After installing and leveling the range, carefully remove Air Sled and install front leg covers (right and left).

## Step 12. Assemble the surface burners

### ⚠ CAUTION

Do not operate the surface burners without all burner parts in place.

1. Position surface burner heads on top of the surface burner manifolds. The electrodes will fit into the slot in the bottom of the heads. Make sure the surface burner heads are flat and parallel with the cooktop.
2. Place the matching size caps on top of each surface burner head.



3. Place the left and right surface burner grates on the cooktop. The edges of the grates should match up with the edges of the cooktop.

### 📖 NOTE

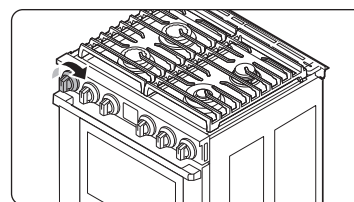
- Grates should be placed on its own position.
- You can recognize the right position of the grates by checking the bottom side of each. Look for engraved position on right and left grate, "RIGHT REAR" and "LEFT REAR" respectively.
- The grates are heavy. Be careful while handling the grates.

## Step 13. Check the ignition of surface burners

Check the operation of all cooktop burners after the range has been installed and assembled, gas supply lines have been carefully checked for leaks, and electrical power cord has been plugged in.

All surface burners have electronic ignition.

### To turn on a surface burner:

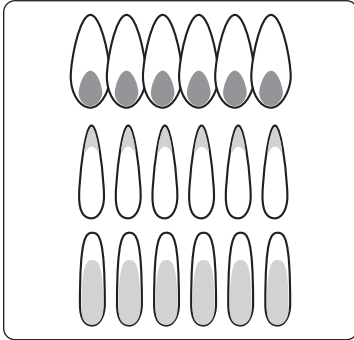


1. Push in the control knob, and then turn it to the **LITE** position. You will hear a "clicking" sound indicating the electronic ignition system is working properly. The burner will light in about 4 seconds, after the air has been purged from the supply line.
2. After the burner lights, turn the control knob to the desired setting. The "clicking" sound will stop and the flame height will change from Max. to Min. during turning the control knob.
3. Repeat steps 1 and 2 to check the operation of each surface burner in succession.

# Installation instructions

## Checking the flame quality:

All combustion flames need to be visually checked to determine their flame quality.



1. **Prevailing soft blue flames**—Normal for natural gas operation.
2. **Yellow tips on outer cones**—Normal for LP gas operation.
3. **Yellow flames**—Abnormal for any gas operation; call for service.

### NOTE

If burner flame looks like 3, the range should not be used until it is serviced. Call Dacor for service. Normal burner flames shall look like 1 or 2, depending on the gas type you use.

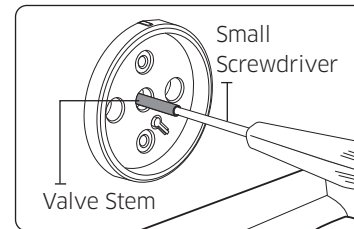
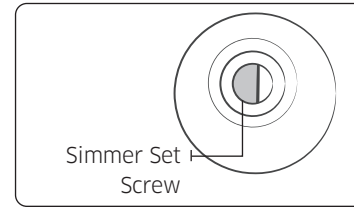
## Step 14. Final installation checklist

You have just completed installing your range. Make sure all controls are in the **OFF** position and the flow of ventilation air to the range is unobstructed. The following is a checklist to confirm your range is safely installed and ready for operation.

- Gas line has been properly connected to the range. The gas has been turned on. All connections have been checked for leaks.
- Range is plugged into the properly grounded electrical receptacle.
- Approved anti-tip bracket is properly installed and engaged with the range.
- Range is leveled and is firmly sitting on a solid, level floor.
- All burners have been tested for proper operation.

## To adjust flame low setting

Identify which burner is exhibiting too high or too low simmer flame size, adjust as necessary by following steps below:



1. Rotate a knob to "**LO**" position and remove the knob from the valve shaft while the flame is lit.
2. Carefully push the screw driver into the stem of the valve, until it hits the simmer set screw. Make sure the screwdriver flathead is seated into the set screw groove.
3. Rotate valve set screw clockwise to decrease "**LO**" setting flame output, or rotate set screw counter clockwise to increase "**LO**" setting flame output.

### WARNING

1. Do not completely remove the valve set screw from the valve stem. The valve set screw is an integral part of the gas valve assembly. Removing the valve set screw will cause gas to leak.
2. After adjusting the valve set screw, inspect the assembly for gas leaks.



Please visit [www.Dacor.com](http://www.Dacor.com) to activate your warranty online.

## WARRANTY INFORMATION

cut here



### IMPORTANT:

Your warranty will not begin until you activate it online or return this form to Dacor. If you have purchased more than one Dacor product, please return all forms in one envelope, or activate the warranty for each product online.

Please rest assured that under no conditions will Dacor sell your name or any of the information on this form for mailing list purposes. We are very grateful that you have chosen Dacor products for your home and we do not consider the sale of such information to be a proper way of expressing our gratitude!

#### Owner's Name:

Street: \_\_\_\_\_  
Last (Please Print or Type) First Middle

City: \_\_\_\_\_ State: \_\_\_\_\_

Zip: \_\_\_\_\_

Purchase Date: \_\_\_\_\_ Email: \_\_\_\_\_

Telephone: \_\_\_\_\_

Dealer: \_\_\_\_\_

City: \_\_\_\_\_ State: \_\_\_\_\_

Zip: \_\_\_\_\_

**Your willingness to take a few seconds to fill in the section below will be sincerely appreciated. Thank you.**

1. How were you first exposed to Dacor products? (Please check one only.)

- A. TV. Cooking Show
- B. Magazine
- C. Appliance Dealer Showroom
- D. Kitchen Dealer Showroom
- E. Home Show
- F. Builder
- G. Architect/Designer
- H. Another Dacor Owner
- I. Model Home
- J. Other \_\_\_\_\_

2. Where did you buy your Dacor appliances?

- A. Appliance Dealer
- B. Kitchen Dealer
- C. Builder Supplier
- D. Builder
- E. Other \_\_\_\_\_

cut here

3. For what purpose was the product purchased?

- A. Replacement **only**
- B. Part of a Remodel
- C. New Home
- D. Other \_\_\_\_\_

4. What is your household income?

- A. Under \$75,000
- B. \$75,000 - \$100,000
- C. \$100,000 - \$150,000
- D. \$150,000 - \$200,000
- E. \$200,000 - \$250,000
- F. Over \$250,000

5. What are the brands of appliances that you have in your kitchen?

- A. Cooktop \_\_\_\_\_
- B. Oven \_\_\_\_\_
- C. Dishwasher \_\_\_\_\_
- D. Refrigerator \_\_\_\_\_

6. Would you buy or recommend another Dacor product?

- Yes
- No

Comments: \_\_\_\_\_

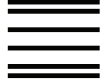
\_\_\_\_\_  
\_\_\_\_\_

Thank you very much for your assistance. The information you have provided will be extremely valuable in helping us plan for the future and giving you the support you deserve.

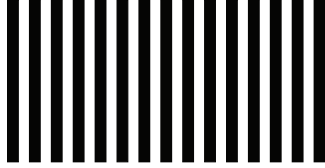
Place Serial Number Label Here

Website: [www.Dacor.com](http://www.Dacor.com)

Phone: 833-35-ELITE (833-353-5483)



NO POSTAGE  
NECESSARY  
IF MAILED  
IN THE  
UNITED STATES



**BUSINESS REPLY MAIL**  
FIRST-CLASS MAIL PERMIT NO. 1600 CITY OF INDUSTRY CA

POSTAGE WILL BE PAID BY ADDRESSEE

**DACOR**  
**ATTN: WARRANTY PROCESSING DEPT**  
**PO BOX 90070**  
**CITY OF INDUSTRY, CA 91715-9907**



fold here



DG68-01457A-00



Dacor • 14425 Clark Avenue, City of Industry, CA 91745  
• Phone: 833-35-ELITE (833-353-5483) • Fax: (626) 403-3130 • [www.dacor.com](http://www.dacor.com)