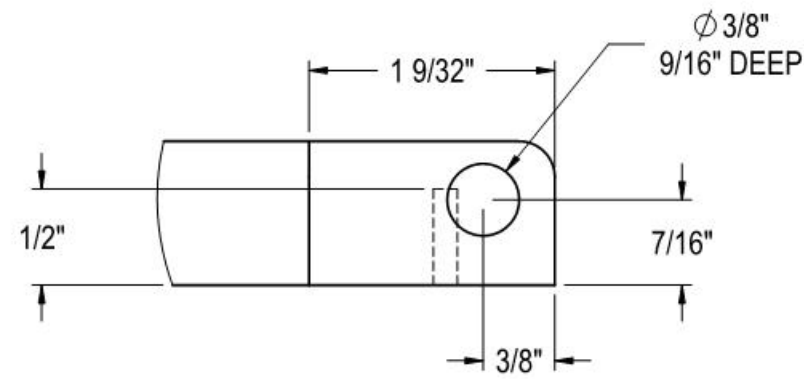
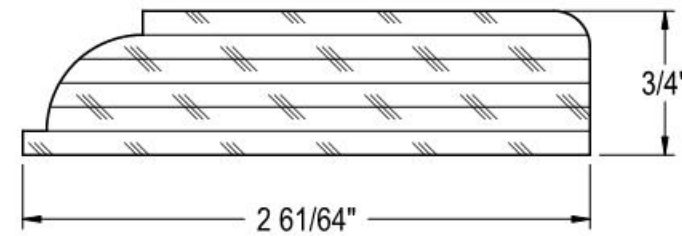


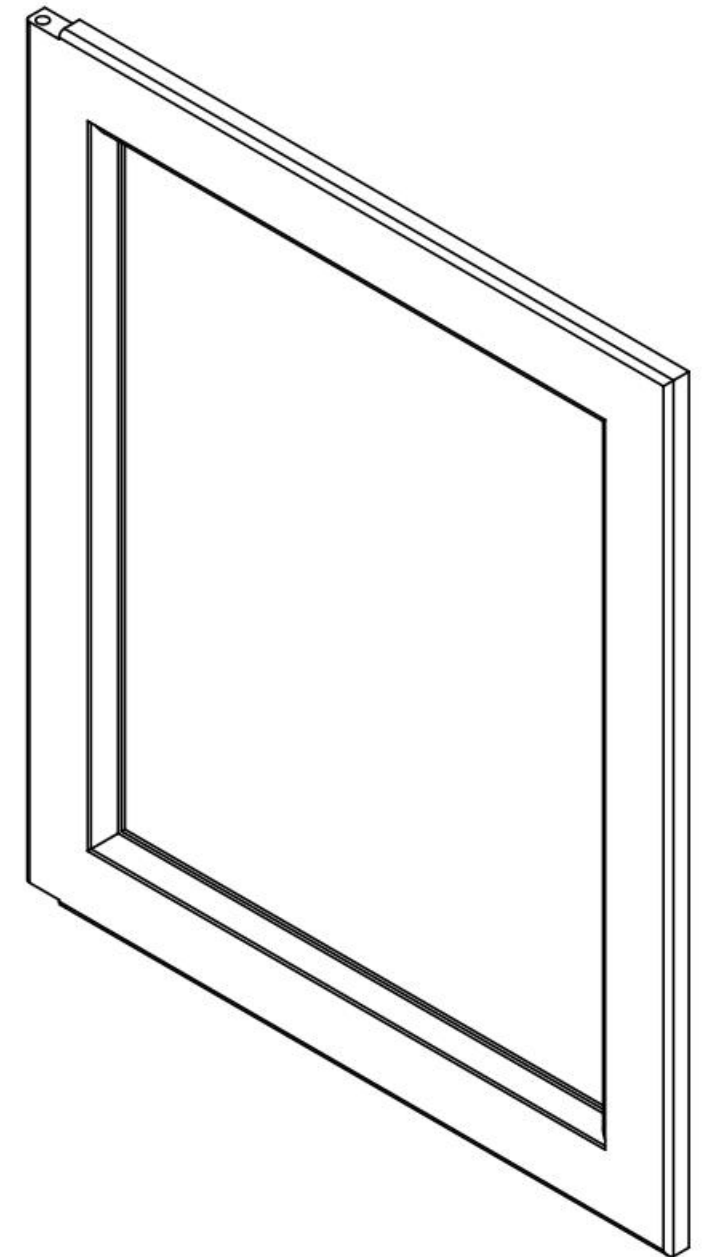
BACK VIEW



DETAIL A
SCALE 1:1



SECTION B-B
SCALE 1:1



NOTE: THESE PART NUMBERS FIT
DOORS OR DRAWERS ON HP & HC CABINETS
WITH SERIAL NUMBER 664985 OR GREATER.

REVISIONS	

<small>UNLESS OTHERWISE SPECIFIED: DIMENSIONS ARE IN INCHES TOLERANCES: X = ±.1 XX = ±.03 XXX = ±.015 ANGULAR: ±1.5°, FRACTIONS: ±1/64 BREAK SHARP EDGES - .015 X 45° RADIUS SHARP FILLETS - .015 TO .031</small>	SIGNATURES DESIGNED KS DRAWN DAS CHECKED	DATE 11/5/2009 11/5/2009	Perlick Corporation Milwaukee, Wisconsin	
	MATERIAL: WOOD		QTY.: FINISH: CUSTOM	TITLE: GLASS DOOR WOOD OVERLAY ADA DOOR
REFERENCE: PART NO. 68135-5 PURCHASE REC.:			DWG NO. 68135	SCALE = 1:5 SHEET 5 OF 6

THIS DOCUMENT / PUBLICATION / SOFTWARE / DRAWING CONTAINS PROPRIETARY INFORMATION WHICH IS THE PROPERTY OF THE PERLICK CORPORATION. IT MAY NOT BE REPRODUCED OR TRANSMITTED IN ANY FORM, ELECTRONIC OR MECHANICAL, INCLUDING PHOTOCOPYING, RECORDING, OR USED IN ANY INFORMATION STORAGE, TRANSMISSION, OR RETRIEVAL SYSTEM, WITHOUT WRITTEN PERMISSION FROM THE PERLICK CORPORATION. COPYRIGHT 2001 PERLICK CORPORATION. ALL RIGHTS RESERVED.