

30-Inch Double Wall Oven

\$6,999 - \$7,199 | CONTEMPORARY

dacor



DOB30M977DS/DA - Silver Stainless \$6,999
DOB30M977DM/DA - Graphite Stainless \$7,199

Features & Benefits

- Steam-assist oven
- Dual Four-Part Pure Convection system
- BrightVue™ LED & halogen lighting
- 7" LCD control panel with SmartThings Wi-Fi connectivity
- Chef Mode™ guided cooking
- Digital temperature probe
- Self-clean oven
- Softshut™ hinges

Controls

CONTROL TYPE	7" Motorized LCD Touchscreen
CHEF MODE™ GUIDED COOKING	Yes
WI-FI + SMARTTHINGS	Yes
CLOCK	Yes
DELAY START	Yes
KITCHEN TIMER	Yes
CHILD LOCK	Yes
SABBATH MODE	Yes

Steam Oven

OVEN CAPACITY (CU. FT.)	4.8 (upper) / 4.8 (lower)
CONVECTION	Four-Part Pure Convection (upper & lower)
STEAM	Steam-Assist (Upper)
BAKE ELEMENT	3,000W - 8 Pass
BROIL ELEMENT	4,400W - 10 Pass
CONVECTION ELEMENT	2 x 1,300W
INSTANTHEAT™ (NO PREHEAT)	Yes
TEMPERATURE PROBE	Yes
LIGHTING	BrightVue™ - LED & Halogen
SELF-CLEAN	Self-Clean, Greenclean™
SOFTSHUT™	Yes (upper & lower)

Weights & Dimensions

NET WEIGHT (LBS.)	345
SHIPPING WEIGHT (LBS.)	493
PRODUCT DIMENSIONS (W X H X D IN INCHES)	29 7/8 x 51 1/2 x 24 1/2
STANDARD CUTOUT REQUIRED (W X H X D IN INCHES)	28 3/4 x 50 1/4 x 23 1/2
FLUSH CUTOUT REQUIRED (W X H X D IN INCHES)	30 1/4 x 51 3/4 x 24 7/8

Technical Details

ELECTRICAL REQUIREMENT	240/208V, 60 Hz, 50A
-------------------------------	----------------------

Warranty

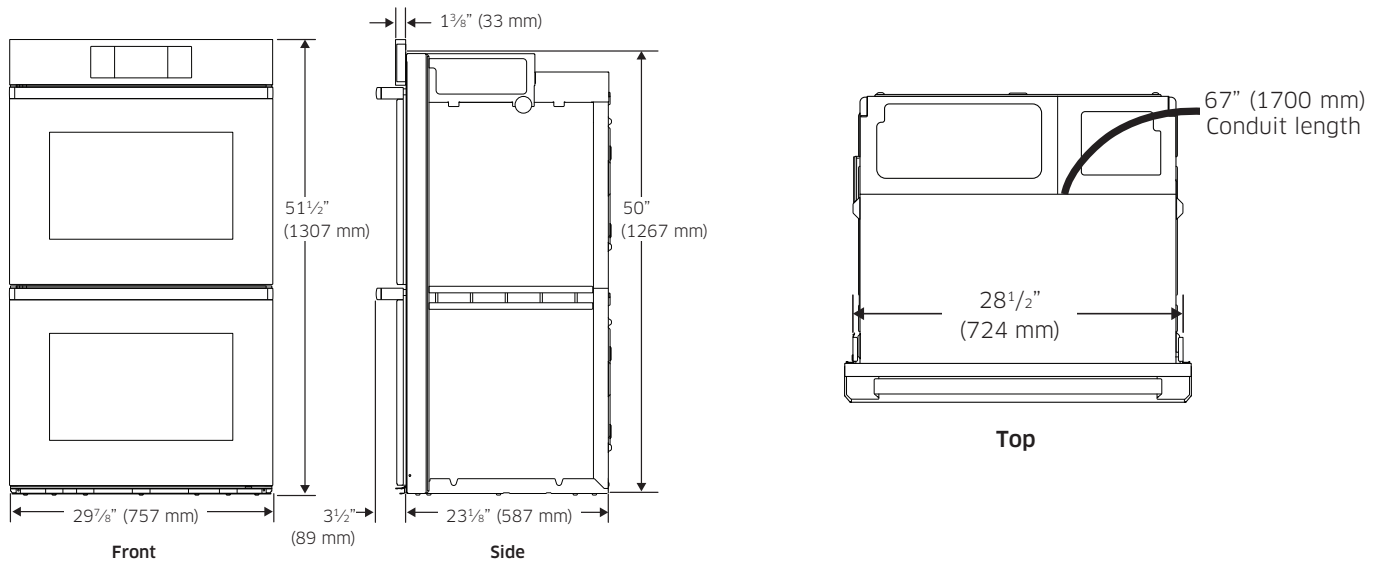
FULL COVERAGE	2 Years
----------------------	---------

30-Inch Double Wall Oven

\$6,999 - \$7,199 | CONTEMPORARY



Appliance Dimensions



Installation Cutout Dimensions

Allow a minimum of 22" for clearance to adjacent corners, drawers, walls, etc. when door is open.

