

# DMT2420

## AMTK27, AMTK30, AMTK36, APMTK27, APMTK30

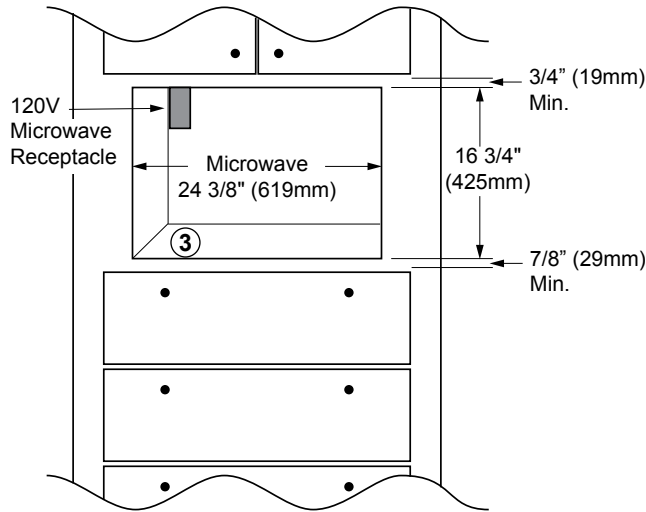


092105

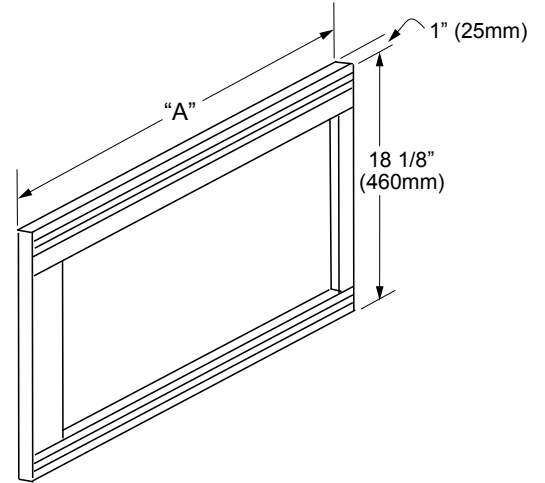
### Microwave Oven

1/1

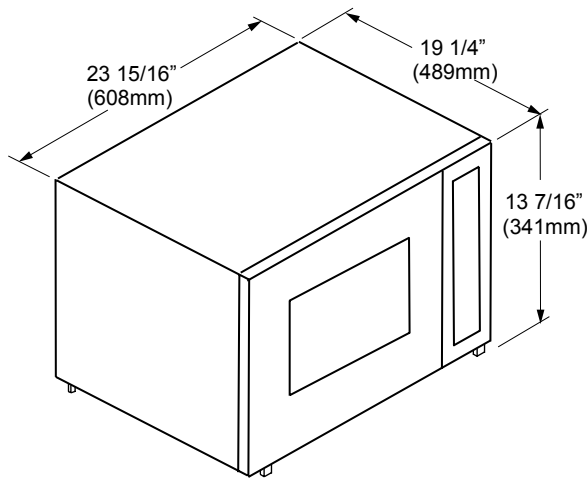
## PLANNING GUIDE



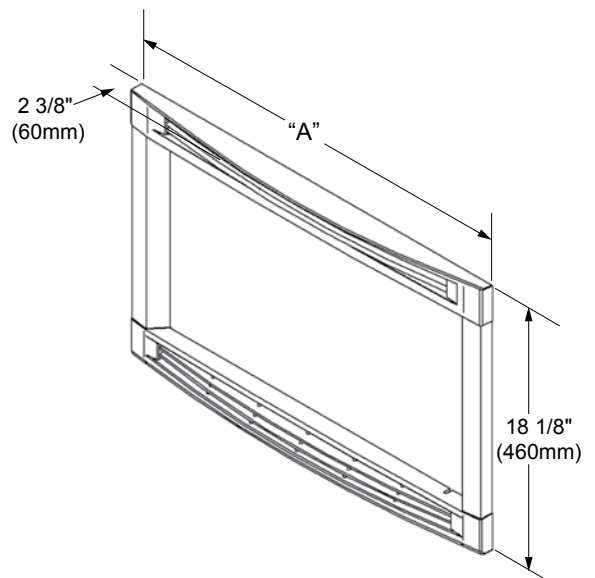
**MICROWAVE AND TRIM KIT**



**AMTK OVERALL DIMENSIONS**  
(Epicure™ or Millennia™ Trim Kit)



**DMT2420 OVERALL DIMENSIONS**



**APMTK OVERALL DIMENSIONS**  
(Preference™ Trim Kit)



**NOTE:**

1. 24" (610mm) minimum exterior cabinet depth.
2. See the Combination Installation (CI) Section if installing with a wall oven, or warming oven.
3. 3/4" (19mm) support platform (flush with cutout).
4. Microwave is supplied with a 48" (1219mm) power cord, with a three prong grounded plug.

Model No.	"A" Overall Width	Trim Kit Overlays	Dedicated Circuit Required	Total Connected Load	Approximate Shipping Weight
DMT2420	-				46 lbs.
AMTK27	27" (686mm)				12 lbs.
AMTK30	30" (762mm)	5/8" (16mm) Top, 3/4" (19mm) Bottom	120VAC, 60Hz, 15A (Breaker)	1.7kW (14A)	12 lbs.
AMTK36	36" (914mm)				16 lbs.
APMTK27	27" (686mm)				17 lbs.
APMTK30	30" (762mm)				18 lbs.