



Standard Features & Accessories

All models include

- Capacity—1.0 cu. ft.
 - 17-11/32"W. x 5-7/8"H. x 17-1/8"D.
- Commercial type-styling and design
- Digital LCD display
- 11 Sensor settings
- Sensor popcorn/sensor reheat
- Automatic defrost
- Add-a-minute allows you to add a minute to cooking time by simply touching a button
- Warm/hold feature allows you to keep food warm for up to 30 minutes
- Child lock safety feature locks the control panel to prevent unwanted operation
- Timer function
- Place undercounter below cooktop, rangetop, or as stand-alone unit

Model Options



VMOD240
Professional



DMOD240
Designer

FINISH DETAILS FOR ALL MODELS

- Stainless Steel (SS)



Dimensions & Specifications

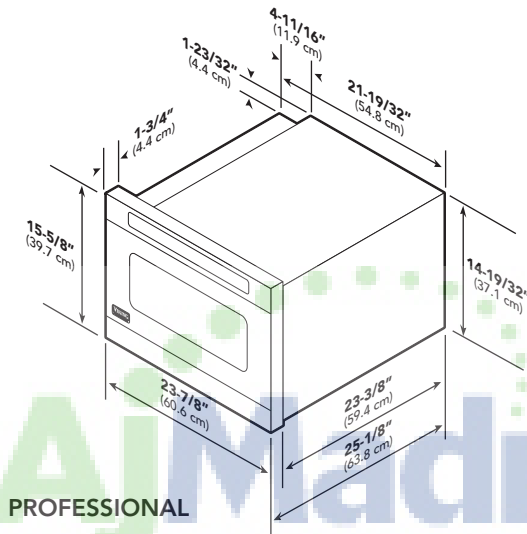
PRODUCT DIMENSIONS & DRAWER EXTENSION



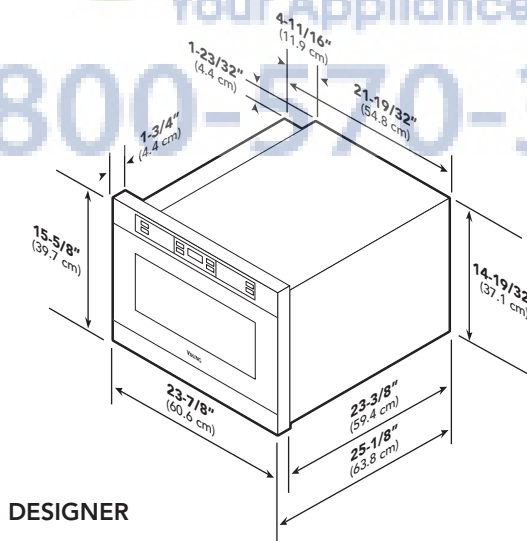
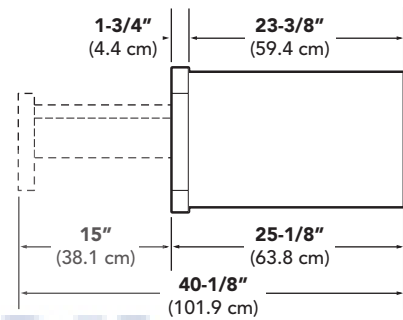
VMOD240
Professional



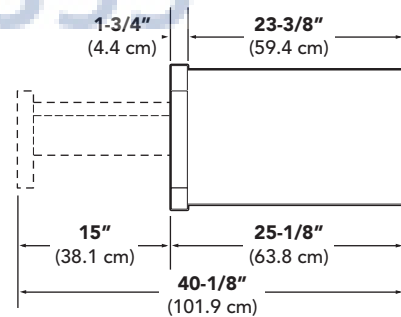
DMOD240
Designer



PROFESSIONAL



DESIGNER



	VMOD240	DMOD240
Overall width	23-7/8" (60.6 cm)	23-7/8" (60.6 cm)
Overall height (from bottom)	15-5/8" (39.7 cm)	15-5/8" (39.7 cm)
Overall depth (from rear)	25-1/8" (63.8 cm)	25-1/8" (63.8 cm)
Interior		
Width	17-11/32" (44.1 cm)	17-11/32" (44.1 cm)
Height	5-7/8" (14.9 cm)	5-7/8" (14.9 cm)
Depth	17-1/8" (43.5 cm)	17-1/8" (43.5 cm)
Approx. ship weight	103 lb. (46.7 kg)	103 lb. (46.7 kg)



UTILITY REQUIREMENTS



GAS
• Not applicable



ELECTRICAL

- 120 VAC/60 Hz
- Three-pronged grounding plug
- Maximum amp usage—
 - VMOD— 14.5 (31.7 kW)
 - DMOD— 14.5 (31.7 kW)



PLUMBING
• Not applicable

Installation Requirements

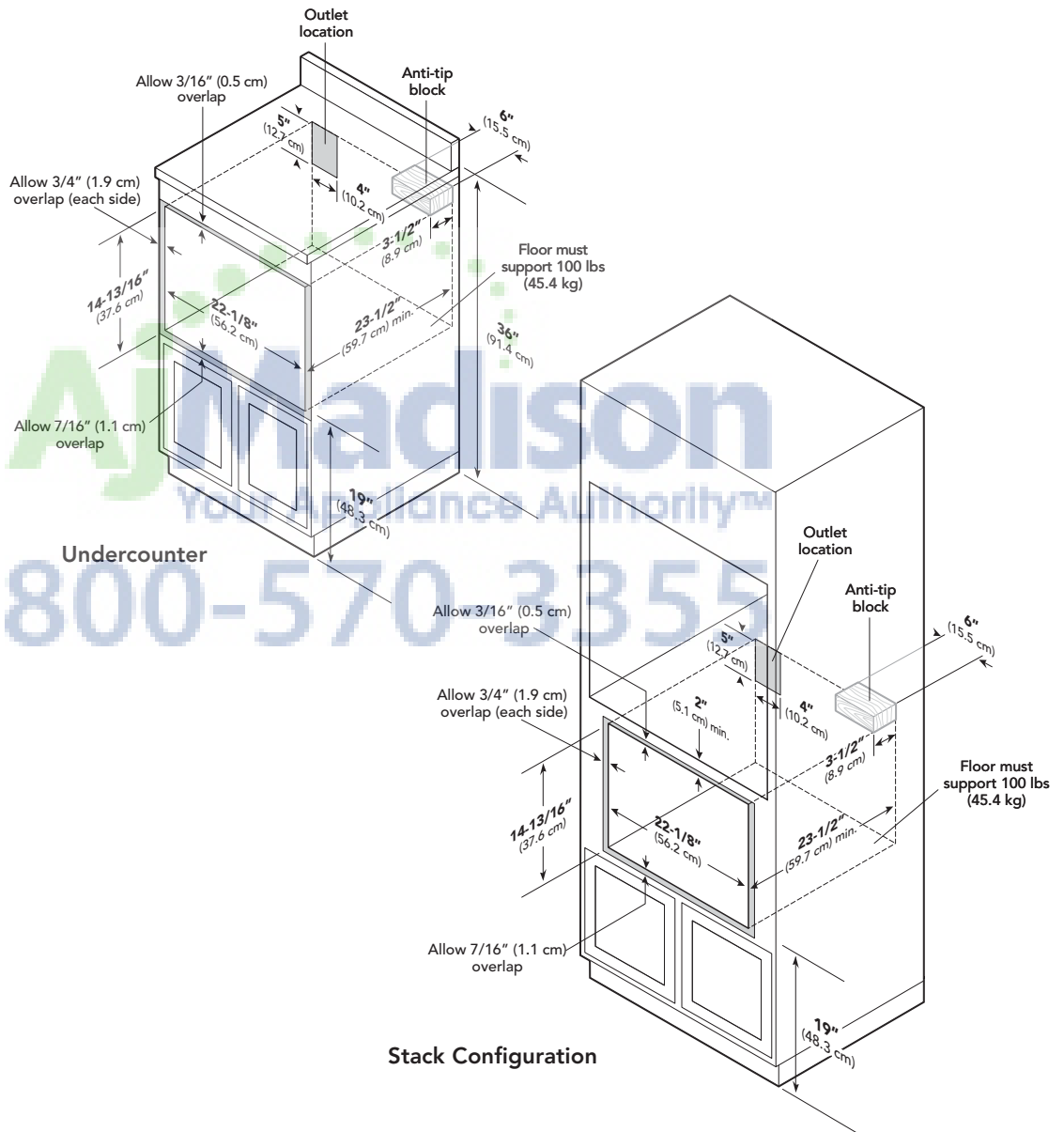
ACCESS REQUIREMENTS



VMOD240
Professional



DMOD240
Designer



Almadison
Your Appliance Authority™
800-570-3355

All models	
Cutout width	22-1/8" (56.2 cm)
Cutout height	14-13/16" (35.1 cm)
Cutout depth	23-1/2" (59.7 cm) min.



VIKING
DESIGNER

COOKING
Undercounter DrawerMicro™ Oven




Aj Madison
Your Appliance Authority™
800-570-3355

Compliance Information



WARRANTY INFORMATION*

- One-year full covers complete unit
- Five-year limited – magnetron tube
- Ninety-day limited – cosmetic parts such as glass, painted items, and decorative items

* For complete warranty see *Use & Care Guide*. Warranty valid on Viking products shipped within the United States and Canada.



PLANNING AND DESIGN GUIDE
VIKINGRANGE.COM • 1-888-VIKING1

RELEASED 5/01/08
©2008 VRC—INFORMATION SUBJECT TO CHANGE