



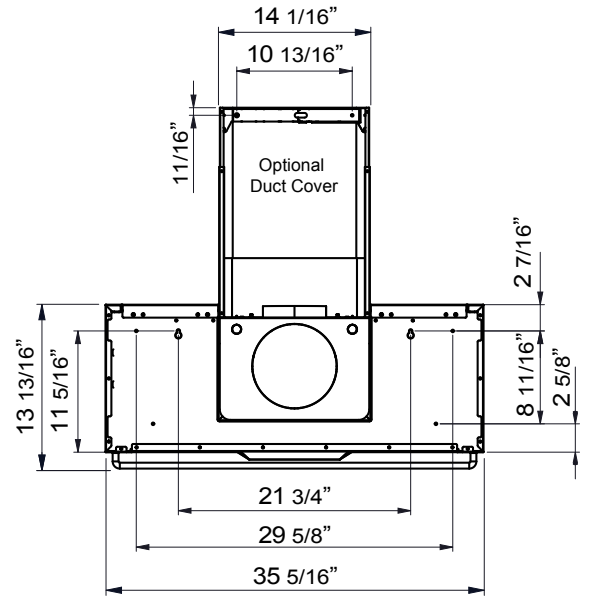
Shown with optional gold accent rail



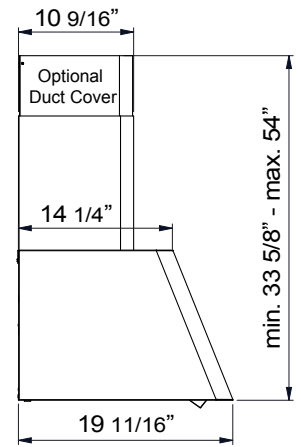
Shown with optional gold accent rail



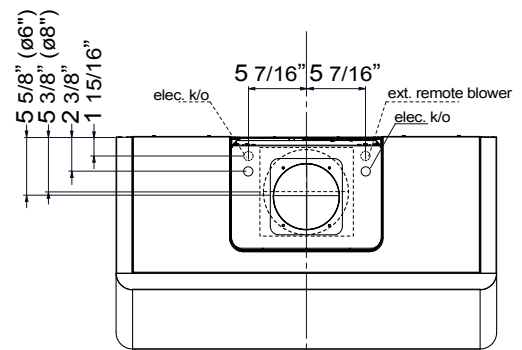
Shown with optional stainless steel accent rail



BACK



SIDE



TOP

MODEL

Matte Black	DME-M90AMBX
Satin Gold	DME-M90ASGX
Stainless Steel	DME-M90ASSX
Size	90cm (35-3/8")

BLOWER PERFORMANCE

Internal Blower (CBI-290C)*	200-290 CFM, 1.4-3 sones
Internal Blower (CBI-600A)*	240-600 CFM, 1.8-6 sones
In-Line Blower (PBN-1000A)*	500-1,000 CFM, sones NA
External Blower (CBE-1000)*	500-1,000 CFM, sones NA

FEATURES

Controls	Invisible Touch
Speed Levels	3
Auto Delay-Off	Yes
CleanAir Function**	Yes
Lighting	LED, 5W x2
Tri-Level Lighting	Yes
Filters	Baffle x3
Recirculating***	Yes
ADA Compliant	Yes, with remote option

DUCT SPECIFICATIONS

Vertical Single Internal Blower	6" Round
Vertical In-Line/External Blower	10" to 8" Round****
Horizontal Single Internal Blower	6" Round
Horizontal In-Line/External Blower	10" to 8" Round****

AC POWER

Hood w/ CBI-290C	120V, 60Hz, Max. 1A
Hood w/ CBI-600A	120V, 60Hz, Max. 3A
Hood w/ PBN-1000A	120V, 60Hz, Max. 5.4A
Hood w/ CBE-1000	120V, 60Hz, Max. 6.6A

OPTIONAL ACCESSORIES

Recirculating Kit	ZRC-01ME
Remote Control	14000010
Duct Cover - Matte Black	Z1C-00MEMB
Duct Cover - Satin Gold	Z1C-00MESG
Duct Cover - Stainless Steel	Z1C-00MESS
Accent Rail - Satin Gold	MERAIL-00SG
Accent Rail - Stainless Steel	MERAIL-00SS
Make-Up Air Kit	MUA006A (600 CFM) MUA008A (1,000 CFM)

MOUNTING HEIGHT RANGE† 24" - 36"

WARRANTY 2 year parts, 1 year labor

HOOD HEIGHT CALCULATOR - With Optional Duct Cover

CEILING HEIGHT	8'	8.5'	9'	9.5'	10'	10.5'	11'	12'
MOUNTING HEIGHT†	24" - 26"	24" - 32"	24" - 36"	24" - 36"	30" - 36"	36" - 36"	NA	NA

*Blower sold separately.

**CleanAir turns your hood on once every four hours for 10 minutes on speed one.

***Not compatible with optional duct cover.

****10" round duct connects to external and in-line blower. Must transition from 10" to 8" before duct passes through ceiling. A 10" to 8" adapter is included with external and in-line blowers.

†Mounting height refers to distance between top of a 36" tall cooking surface and bottom of hood.