

7.3 cu. ft. Rear Control Heat Pump Dryer with LG EasyLoad™ Door and AI Sensing

7.3 cu. ft. Ultra Large Capacity

EasyLoad™ Door

Built-In Intelligence: AI Sensor Dry™ / Smart Pairing™

Electronic Control Panel with LED Display

Aluminized Alloy Steel Drum

LoDecibel® Quiet Operation

Reversible Door

Wrinkle Care Option

AVAILABLE COLORS



LG ThinQ®

Enjoy new ways to control your home with LG smart appliances

- Use the ThinQ® app to start the laundry while you're out
- Get alerts when the cycle is finished
- With Smart Pairing™, the washer can tell the dryer to select a compatible drying cycle



SUMMARY

Type	Rear Control Top Load Dryer
Vent Type	Ventless
Dryer Type	Electric
Capacity	7.3 cu. ft.
Matching Washer	WT8400CB / WT8405CB WT8400CW / WT8405CW
Sensor Dry	Yes
Steam	No
Colors	Matte Black(B) Alpine White(W)

DRYER PROGRAMS

No. of Programs	8
	Normal, AI Dry, Small Load, Delicates, Heavy Duty, Perm. Press, Bedding, Downloaded

No. of Options	15
	Wrinkle Prevention, Rainy Days, Easy Ironing, Outerwear Refresh, Activewear, Down Jacket Refresh, Rack Dry, Bedding Refresh, Baby Wear, Air Dry, Power Dry, Shrinkage Relief, Silent Dry, Towels, Pet Care

Temperature Setting	No
Drying Levels	Very, More, Normal, Less, Damp
Dry Mode	Normal, Energy Saver, Speed
Manual Dry Times	30, 40, 50, 60, 70min

APPEARANCE

Control & Display	Electronic Control Panel with LED Display
Dial-A-Cycle®	Yes
Touch Buttons	Yes

FABRIC CARE FEATURES

AI Sensor Dry	Yes
AI Dry with IR Sensor (Sensor Dry 2.0)	Yes
Precise Temperature Control with Variable Heater	No
Precise Temperature Control with Variable Compressor	Yes
6 Motion Dry	Yes
Steam	No

CONVENIENCE FEATURES

End of Cycle Signal	Yes
Drum Light (door open)	Yes
Reversible Door	Yes
Wrinkle Care Option	Yes
Control Lock	Yes
4 Adjustable Legs	Yes
Remaining Time Display/Status Indicator(s)	Yes
Auto Cleaning Condenser	Yes

SMART FEATURES (ThinQ® TECHNOLOGY)

Smart Diagnosis (v3.0)	Yes
Wi-Fi	Yes
NFC Tag On Technology	No
ThinQ Care	Yes
ThinQ Up	Yes
Remote Start/Cycle Monitor	Yes
Energy Monitoring	Yes

ENERGY

ENERGY STAR® Qualified	Yes
ENERGY STAR® Most Efficient	Yes
CEF	9.3

MATERIALS

Aluminized Alloy Steel Drum	No
NeveRust® Stainless Steel Drum	Yes
Cabinet	Painted Steel
Door	Transparent Glass
All Available Colors	Matte Black(B), Alpine White(W)

POWER SOURCE

Ratings	CSA Listed
Electrical Requirements	240V, 750W or 208V, 740W 15 Amp Circuit
Type	Heat Pump
Plug	Not Included
Plug Type	4-Wire or 3-Wire (Homes built after 1996 require 4-Wire)
BTU Rating	N/A

OPTIONS

LP Conversion Kit	N/A
Sealing Cover (Cap Cover)	Yes

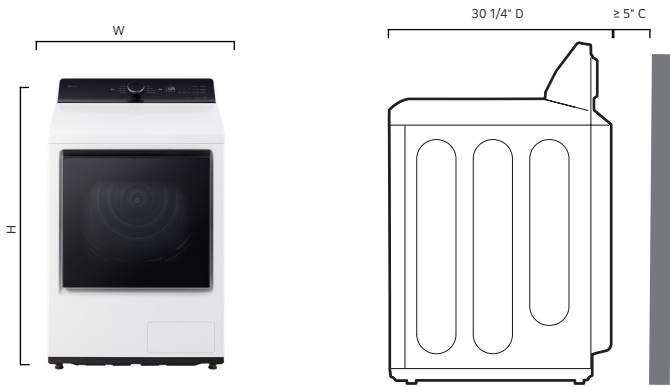
LIMITED WARRANTY

Parts & Labor	1 Year
Drum	3 Years
Inverter Compressor & Motor	10 Years

UPC CODES

DLHC8402B (Matte Black)	195174098004
DLHC8402W (Alpine White)	048231349826

DIMENSION / CLEARANCES



DIMENSIONS

Product (WxHxD)	27" x 42 3/4" x 30 1/4" (51 1/2" D with door open)
Carton (WxHxD)	29" x 45 3/4" x 31 3/8"
Weight (Product)	155.0lb
Weight (Carton)	166.5lb

DIMENSION / CLEARANCES

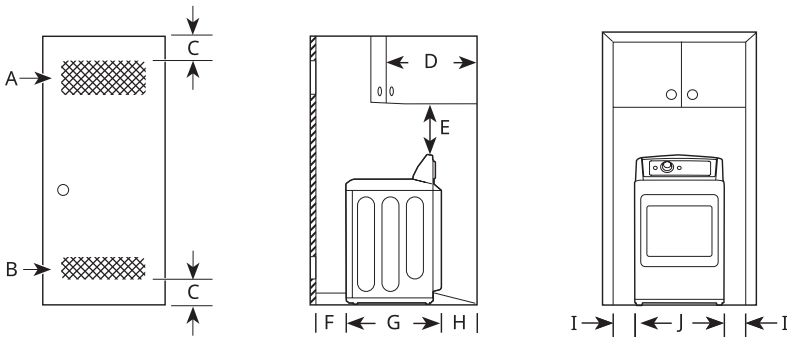
CLOSET VENTILATION REQUIREMENTS

Closets with doors must have both an upper and lower vent to prevent heat and moisture buildup in the closet. One upper vent opening with a minimum opening of 48 sq. in. (310 cm²) must be installed no lower than 6 feet above the floor. One lower vent opening with a minimum opening of 24 sq. in. (155 cm²) must be installed no more than one foot above the floor. Install vent grilles in the door or cut down the door at the top and bottom to form openings. Louvered doors with equivalent ventilation openings are also acceptable.

DIMENSION / CLEARANCES

INSTALLATION SPACING FOR CABINET

For cabinet installation with a door, minimum ventilation openings in the top of the cabinet are required.

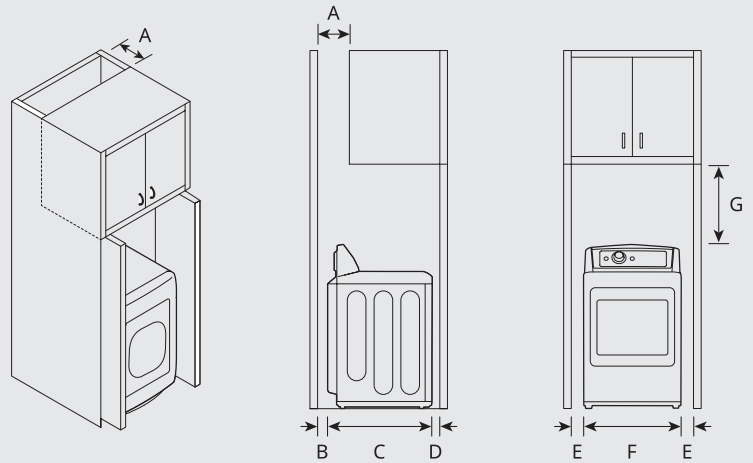


DIMENSIONS

A Upper Ventilation Opening	≥ 48 sq. in. (310 cm ²)
B Lower Ventilation Opening	≥ 24 sq. in. (155 cm ²)
C Distance to Ventilation Opening	≥ 3" (76 mm)
D Overhead Cabinet Depth	≤ 14" (356 mm)
E Distance to the Overhead Cabinet/Shelf	≥ 18" (457 mm)
F Front Clearance	1" (25 mm)
G Depth	30 1/4" (770 mm)
H Back Clearance	≥ 5" (127 mm)
I Side Clearance	≥ 1" (25 mm)
J Width	27" (700 mm)

INSTALLATION SPACING for CABINET

For cabinet installation with a door, minimum ventilation openings in the top of the cabinet are required.



DIMENSIONS

A Depth of Ventilation Opening	≥ 7" (178 mm)
B Back Clearance	≥ 5" (127 mm)
C Depth	30 1/4" (770 mm)
D Front Clearance	≥ 1" (25 mm)
E Side Clearance	≥ 1" (25 mm)
F Width	27" (700 mm)
G Clearance to Top of Cabinet	≥ 9" (229 mm)

LEVELING THE APPLIANCE

CHECKING THE LEVEL

Position the appliance in the final location and place a level across the top of the appliance.

- ① Level
- ② Level Feet

