



**☎ 1-800-243-0000** para el Servicio LG (Atención al Cliente) 24 horas al día, 7 días a la semana

# MANUAL DEL PROPIETARIO

## Secadora de Eléctrica y Gas

DLE7177WM/DLG718WM  
DLE7177NM/DLG718NM  
DLE7177RM/DLG718RM

Gracias por comprar una Secadora LG. Por favor lea su manual correctamente, ya que contiene información importante de una instalación segura, uso y mantenimiento. Guarde el modelo y número de serie y conserve su manual para futuras referencias. Para más información, visite nuestro sitio web <http://us.lge.com>





**☎ 1-800-243-0000**

24 HOURS A DAY, 7 DAYS A WEEK FOR LG CUSTOMER SERVICE

# Owner's Manual

## Electric and Gas Dryer

**DLE7177WM/DLG7188WM**  
**DLE7177NM/DLG7188NM**  
**DLE7177RM/DLG7188RM**

Thank you for buying a LG Dryer.

Please read your manual carefully, as it provides instructions on safe Installation, Use and Maintenance.

Record the Model and Serial Numbers, and retain the manual for future reference.

For more information, visit our website at <http://us.lge.com>

# PRODUCT FEATURES

- 1 OUTSTANDING PERFORMANCE**  
Not to mention unmatched big capacity, you can benefit from good time efficiency, quiet operation and energy saving system.
- 2 STAINLESS STEEL DRUM**  
Stainless steel drum doesn't generate any rust.
- 3 ARTISTIC DESIGN**  
Modern front panel look and big crystal-clear glass door make your dryer look stylish.
- 4 DIGITAL FABRIC CARE**  
Multi-Level temperature control takes better care of your clothes
- 5 EASY OF USE**  
An entire selection of user-friendly functions make operating the dryer easy.
- 6 USING THE RLM (REMOTE LAUNDRY MONITOR)**  
The RLM monitors status of your dryer. You can plug the display unit into any power outlet in your home. The RLM Display Unit can be purchased separately for this dryer.
- 7 DUAL SENSOR TECHNOLOGY**  
It makes it possible to sense even less than a 1 kg load size. So regardless of load weight, more accurate sensing is ensured.

## What are Sensor Dry and Time Dry?

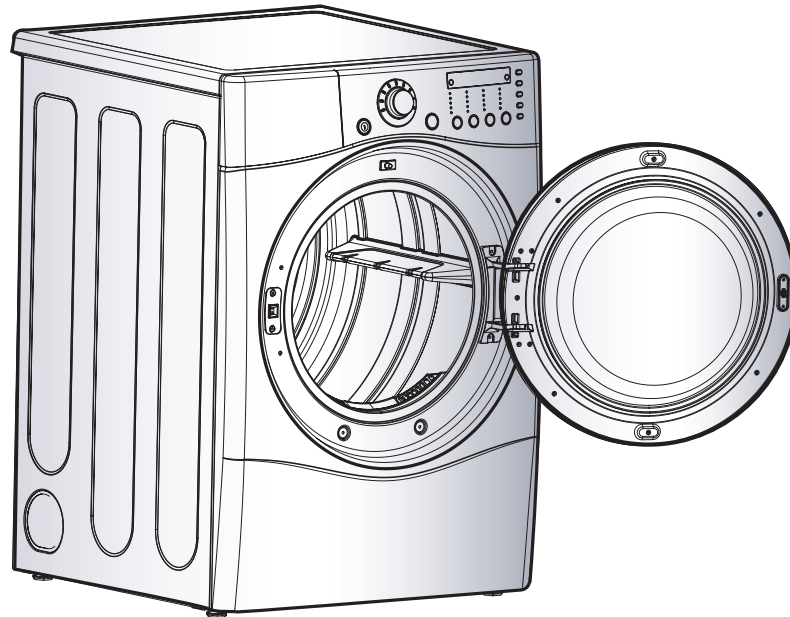
Your dryer provides sensor drying and time drying programs.

**Sensor Dry** : Dryer electronically sense laundry humidity and it automatically determines operation time based on the dryness of the load and the selected program. At times, you can see sudden increase or decrease in operation time. It happens because a sensor will detect laundry humidity within a certain period. Sudden change in operation time is not a malfunction.

**Time Dry** : You can manually set drying time to complete drying. Use dry performance if clothes are still damp after sensor dry cycle is finished. Time Dry is more effective for heavyweight and bulky items such as king-size bed sheets and thick work clothes.

# TABLE OF CONTENTS

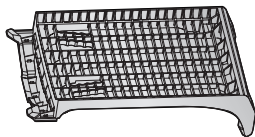
PART1. SPECIFICATIONS .....	3
PART2. IMPORTANT WARRANTY AND SAFETY INSTRUCTIONS .....	4-6
PART3. INITIAL STEPS FOR INSTALLING YOUR DRYER .....	7-12
PART4. ACCESSORIES INSTALLATION .....	13-14
PART5. ELECTRICAL REQUIREMENTS FOR ELECTRIC DRYER.....	15-18
PART6. ELECTRICAL REQUIREMENTS FOR GAS DRYERS.....	19
PART7. GAS REQUIREMENTS AND INSTRUCTIONS .....	20
PART8. EXHAUST REQUIREMENTS AND MAINTENANCE.....	21-22
PART9. OPERATING YOUR DRYER .....	23-30
PART10. TROUBLESHOOTING GUIDE.....	31-33
LG DRYER LIMITED WARRANTY.....	34



- Type : Electric and Gas Dryer
- Rating : Please refer to the rating label regarding detailed information.
- Size : 27 x 29.9 x 38.7(inch)
- Capacity : IEC 7.3cu.ft. (22.5 lb)
- Weight : 126 lbs (57.2 kg)

Specifications are subject to change by manufacturer.

■ ACCESSORIES



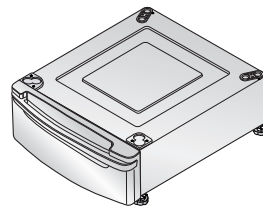
Dryer rack (1 each)

See page 26 for how to use.



Stacking kit (1 each)  
Purchased Separately

See page 13 for how to use.



*\* Design of pedestals are subject to change without manufacturers notice.*

Pedestal (1 each)  
Purchased Separately

See page 14 for how to use.



Remote Laundry Monitor  
Purchased Separately

## SEEKING WARRANTY ASSISTANCE

The Warranty for your Dryer is located at the end of this manual. Warranty Service is available by contacting your nearest LG Service Center. If this product is installed and operated per this manual, LG will repair or replace any parts defective in material or workmanship throughout the Warranty period, beginning the Date of Purchase.

 **WARNING!**

For your safety, the recommendations in this manual must be followed. To reduce the risk of fire or explosion, electric shock or to prevent property damage, personal injury, or death when using your appliance follow basic precautions, including the following.

**Warranty Restriction:** If the dryer is subjected to other than private family use, all warranty coverage is effective for only 90 days.

You will need the complete Model and Serial Number when requesting Warranty Service. Proof of purchase date is required.

Use the space below to record the model number and serial number of your new LG dryer.

Model No. \_\_\_\_\_

Serial No. \_\_\_\_\_

Date of Purchase \_\_\_\_\_

\* Staple your receipt HERE.

## IMPORTANT SAFETY INSTRUCTIONS

 **WARNING!**

To help reduce any risk of electric shock, fire, or other personal injury or property damage when using your dryer, please exercise care and follow basic safety precautions, including the following:

- 1) Read all instructions before using the appliance.
- 2) Do not dry articles that have come into contact with gasoline, dry-cleaning solvents, or other flammable or explosive substances, as they give off vapors that could ignite or explode.
- 3) Do not allow children to play on or in the appliance. Close supervision of children is necessary when using the appliance.
- 4) Before the appliance is removed from service or discarded, remove the door to the drying compartment.
- 5) Do not reach into the appliance if the drum is moving.
- 6) Do not install or store this appliance where it will be exposed to the weather.
- 7) Do not tamper with controls.
- 8) Do not repair or replace any part of the appliance or attempt any servicing unless specifically recommended in the user-maintenance instructions.
- 9) Do not use heat to dry articles containing foam rubber or similarly textured rubber-like materials.
- 10) Clean lint screen before or after each load.
- 11) Keep area around the exhaust opening and adjacent surrounding areas free from the accumulation of lint, dust, and dirt.
- 12) The interior of the appliance and exhaust duct should be cleaned periodically by qualified service personnel.
- 13) Do not place items exposed to cooking oils in your dryer. Items contaminated with cooking oils may contribute to a chemical reaction that could cause a load to catch fire.
- 14) Do not use fabric softeners or products to eliminate static unless recommended by the manufacturer of the fabric softener or product.

**SAVE THESE INSTRUCTIONS****GROUNDING INSTRUCTIONS**

This appliance must be grounded. In the event of malfunction or breakdown, grounding will reduce the risk of electric shock by providing a path of least resistance for electric current. This appliance is equipped with a cord having an equipment-grounding conductor and a grounding plug. The plug must be plugged into an appropriate outlet that is properly installed and grounded in accordance with all local codes and ordinances.

**WARNING** - Improper connection of the equipment-grounding conductor can result in a risk of electric shock. Check with a qualified electrician or service person if you are in doubt as to whether the appliance is properly grounded.

Do not modify the plug provided with the appliance. If it will not fit the outlet, have a proper outlet installed by a qualified electrician.

This appliance must be connected to a grounded metal, permanent wiring system or an equipment-grounding conductor must be run with the circuit conductors and connected to the equipment-grounding terminal or lead on the appliance.

### **WHAT TO DO IF YOU SMELL GAS:**

- Do not try to light a match or cigarette, or turn on any gas or electrical appliance.
- Do not touch any electrical switches. Do not use any phone in your building.
- Clear the room, building or area of all occupants.
- Immediately call your gas supplier from a neighbor's phone. Follow the gas supplier's instructions carefully.
- If you cannot reach your gas supplier, call the fire department.

### **WARNING**

To reduce the risk of fire or explosion, electric shock, property damage, personal injury or death when using this appliance, please follow all instructions and information, including those in this manual and instructions provided by your gas supplier.

- Do not store or use any gasoline, dry-cleaning solvents any other flammable vapors or liquids in the area surrounding this appliance.
- Do not dry anything that has ever had anything flammable on it, even after washing.
- No washer can completely remove oil. Do not dry any articles that have ever had any kind of oil on them, including cooking oil.
- Articles containing foam, rubber, rubber-like materials, plastic or similar materials should be air dried.
- Failure to follow these instructions can result in fire, death or serious injury.
- A qualified service person or company must perform installation and service of this appliance.

### **WARNING!**

- Keep flammable materials and vapors, such as gasoline, away from dryer.
- Place dryer at least 18 inches above the floor for a garage installation.
- Failure to do so can result in death, explosion or fire.

### **California Safe Drinking Water and Toxic Enforcement Act**

This act requires the governor of California to publish a list of substances known to the state to cause cancer, birth defects or other reproductive harm and requires businesses to warn customers of potential exposure to such substances.

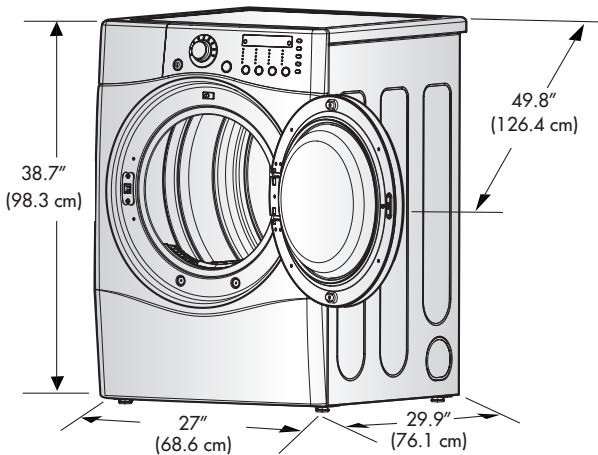
Gas appliances can cause minor exposure to four of these substances, namely benzene, carbon monoxide, formaldehyde and soot, caused primarily by the incomplete combustion of natural gas or LP fuels.

Properly adjusted dryers will minimize combustion. Exposure to these substances can be minimized further by properly venting the dryer to the outdoors.

The following instructions will help guide you through the initial steps of setting up your dryer for use. Please note that every section of this manual provides important information regarding the preparation and use of your dryer, and it is important that you review this entire manual before proceeding with any installation or use. More detailed instructions concerning electrical connections, gas connections, and exhaust requirements are provided in other parts of this manual.

**STEP 1 Positioning the Dryer.**

Choose a location with a solid floor for your dryer. Place the dryer at least eighteen inches above the floor for a garage installation. After placing the dryer in the desired location, please make sure that it has the required clearances shown below. If you are installing your dryer in a manufactured or mobile home, please refer to STEP 9 below for additional instructions.



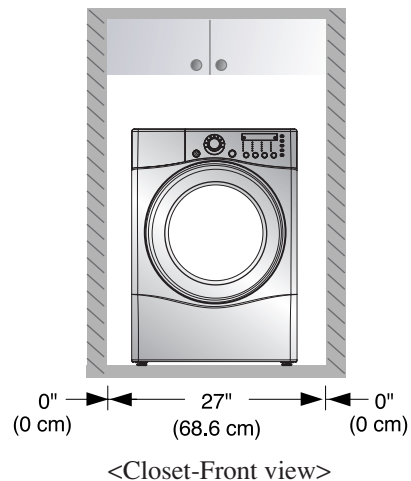
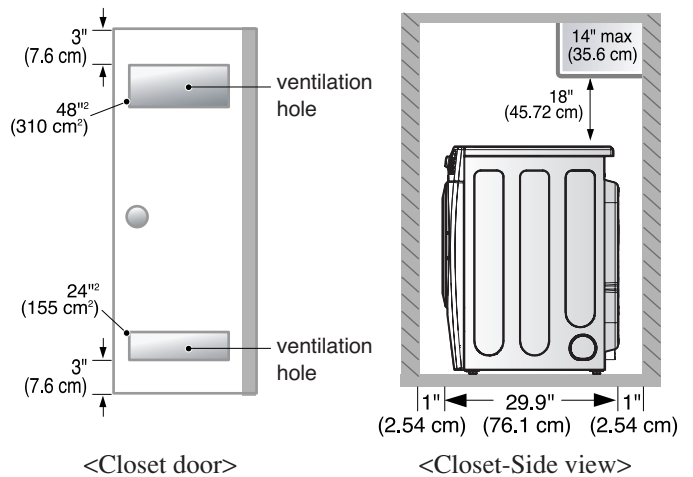
\* Most installations require a minimum 5 1/2 in. (14 cm) clearance behind the dryer for the exhaust vent with elbow.

**Note**

**Leveling legs should be secured.**  
**All four legs are stably placed on the solid and even floor.**  
**If dryer is not level, laundry may not tumble properly and sensor will not detect the accurate humidity information.**  
**When leveling, please be cautious not to injure your fingers and toes.**  
**If you install the dryer on the optional pedestal. It is necessary to level with the pedestal leveling legs.**

**Certain minimum clearances are required above, behind, and to the sides of the unit, as shown below.** Those required minimum clearances are set forth in the picture below. Please keep the following instructions in mind when installing in a closet or recessed area:

- Consider allowing additional clearance for installation and servicing.
- Wall, door and floor molding may force additional clearances.
- An additional inch of clearance is recommended to minimize noise transfer .
- Consider space needed for companion appliances.
- For closet installations, the picture below shows the minimum required ventilation openings for the door. A louvered door with comparable ventilation openings is also acceptable.



Once in position, adjust the leveling legs of the dryer until it is level from left to right and front to back. The leveling legs must remain firmly on the floor and the dryer should not rock. The maximum slope of the dryer from left to right or front to back should not exceed 2.5 cm (1 inch). If the dryer is not level, and if the slope exceeds 2.5 cm (1 inch), a load may not tumble properly and internal sensors may malfunction. Note: Other sections of this manual also provide important information concerning the placement of and clearances for your dryer. Please review this entire manual before proceeding with any installation.

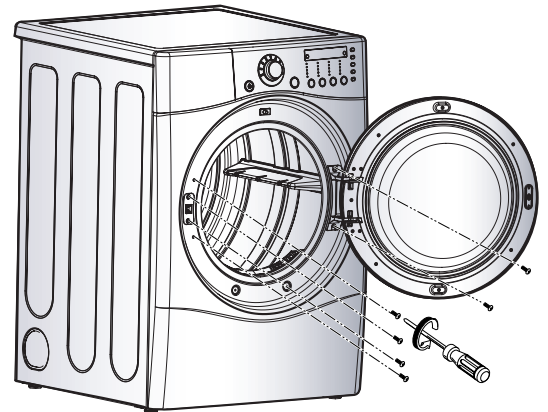
## STEP 2 Procedure for Reversing the Door

The door on your dryer can be installed to open either to the left or the right. Follow these instructions to reverse the direction in which your door opens:

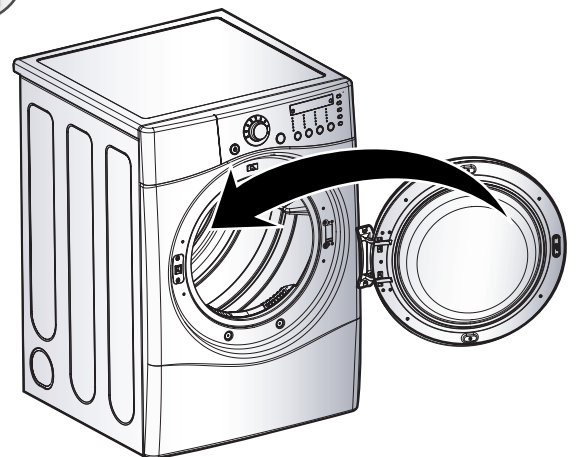
### Note

Door and latch should be aligned at the center when closed.

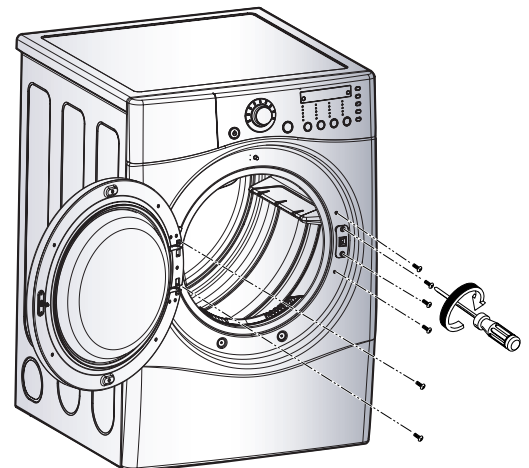
1



2



3



**STEP 3** Connecting the Exhaust and Venting System.

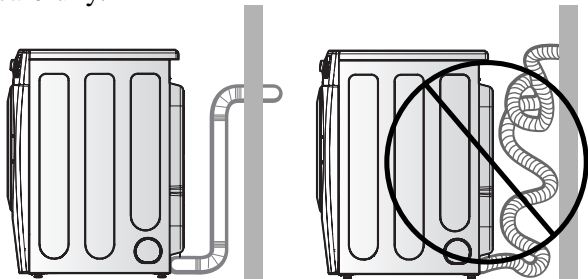
**⚠ WARNING!**

- Use a heavy metal vent.
- Do not use plastic or thin foil duct.
- Failure to follow these instructions can result in death or fire.
- Clean old ducts before installing this dryer

**Note**

Vent end will face to the outside home and improper taping and unstable installation of vent will cause undesirable drying performance.

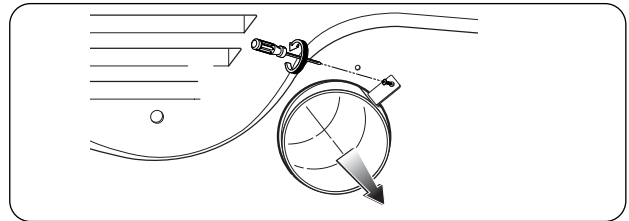
In addition to the following warnings, please refer to manual section on Exhaust Requirements and Maintenance. **IMPORTANT:** To reduce the risk of fire, combustion, and gas accumulation, the dryer must be vented to the outdoors. Please follow the instructions (and all others in this manual) very carefully.



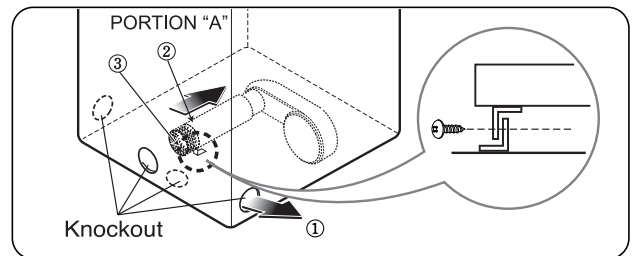
- Do not use Plastic or thin foil duct.
- Use 4" (10.2 cm) diameter rigid or Semi-rigid metal duct (note: venting materials are not supplied with the dryer, and you should obtain the venting materials necessary for proper installation)
- Position the Dryer such that the exhaust duct run is as short as possible.
- **Clean old ducts before installing this dryer**
- The male end of each section of exhaust duct must point away from the dryer
- Use as few elbow joints as possible.
- Use duct tape on all duct joints
- Insulate ductwork that runs through unheated areas in order to reduce condensation and lint build-up on pipe walls.
- **PLEASE BE AWARE THAT FAILURE TO EXHAUST THE DRYER CORRECTLY WILL VOID THE DRYER'S WARRANTY.**

**ALTERNATE EXHAUST DIRECTIONS**

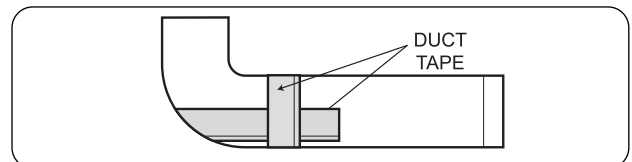
1. Remove screw and exhaust duct.



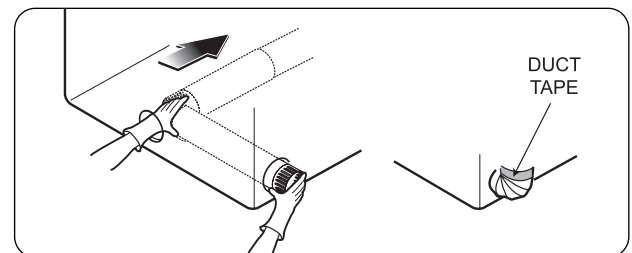
2-1. Detach and remove the knockout that matches the desired venting direction (Right side not available on Gas Dryers) ①, ②, ③ the order of work.



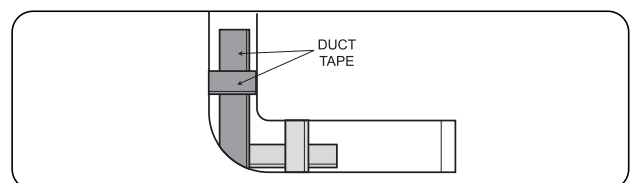
2-2. Reconnect the duct to the blower housing and attach the duct to the base. (Duct is a SVC part)



3-1. Pre-assemble 4" elbow with 4" duct. Wrap duct tape around joint.

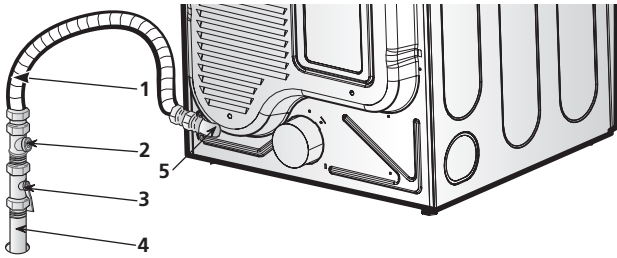


3-2. Insert elbow duct assembly first through the side opening and connect the elbow to the internal duct.



**STEP 4 Connection of Gas Supply**

(Gas dryer only). In addition to the following, please refer to manual section on Gas Requirements and Instructions.



1. New stainless steel flexible connector. Use this type of connector only if allowed by local codes. Use Design AGA Certified Connector.
2. 1/8" NPT Pipe Plug (for checking inlet gas pressure)
3. Equipment Shut-Off Valve-  
Installed within 6' (1.8 m) of dryer
4. Iron Pipe. Shorter than 20' (6.1 m)  
Use 3/8" pipe. Longer than 20' (6.1 m) - Use 1/2" pipe.
5. 3/8" N.P.T. Gas Connection

**Note**

**Make sure the burner nozzle is proper for the type of gas you are provided with.**

**For instance, using LPG with LNG nozzle will result in death, fire or explosion. Or using LNG with LPG nozzle will not ignite burner.**

**If needed, nozzle conversion should be done by a qualified service technician and mark or put the label of the current type of nozzle on the dryer.**

1. Confirm that the type of gas available in your laundry room is appropriate for the dryer. The dryer is prepared for Natural Gas with a 3/8" NPT gas connection.
2. Remove the shipping cap from the gas connection at the back of the dryer. Make sure that you don't damage the threads of the gas connection pipe when you remove the shipping cap.
3. Connect the dryer to your laundry room's gas supply using a new flexible stainless steel connector (as noted below, only use a new stainless steel flexible connector if allowed by your local codes).
4. Securely tighten all connections between the dryer and your laundry room's gas supply. Turn on your laundry room's gas supply and check all pipe connections (both internal and external) for gas leaks with a non-corrosive leak detection fluid. Refer to Part 7(page 20)
5. For LP (Liquefied Petroleum) gas connection, refer to this manual's section entitled Gas Requirements and Instructions.

**STEP 5 Electrical Plug Connections**

Following are several warnings and instructions concerning making the electrical connection for electric dryers. More detailed information concerning the electrical connection is provided in the manual section entitled Electrical Requirements for Electric Dryer. It is important that you thoroughly review that section and the remainder of this manual, before taking any steps to install or use this dryer.

1. Use only a new U.L. listed No. 10 (copper wire only) three conductor power supply cord kit rated 240 Volts (minimum) 30 Amperes and labeled as suitable for use in a clothes dryer.
2. Four-wire cord is required for manufactured (mobile) home installations and where local codes do not allow grounding of this appliance through neutral.
3. Electrical Plug Connections.
4. For additional instruction on connecting the dryer to an electrical power source, please refer to this manual's section on Electrical Requirements and Electric Dryer.

**Note****Burner input requirements**

If your house is located at the elevation up to 10,000 feet.

Adjusting burner input setting is not needed in this elevation because A.G.A certifies this dryer will not have any problem with the B.T.U rating at this altitude. If your house is above 10,000 feet, you are required to adjust a four percent(4%) reduction of the burner B.T.U rating indicated on the model/serial rating plate.

**⚠ WARNING!**

- Use a new UL approved 30 amp power supply cord or 10 gauge solid copper wire.
- Use a UL approved strain relief.
- Disconnect power before making electrical connections.
- Connect neutral wire(white or center wire) to center terminal.
- Ground wire(green or bare wire) must be connected to green ground connector.
- Securely tighten all electrical connections
- See installation instructions for complete instructions.
- Failure to do so can result in fire or electrical shock.

**STEP 6 Preparation of the Dryer.**

Prior to the first use of this appliance, use all-purpose cleaning products or a solution of detergent and water, with damp cloth to remove from the inside of the dryer drum/drying compartment any dust or dirt that may have accumulated inside the dryer. Plug-in your dryer after reviewing the following parts on your dryer's Electrical Requirements.

**STEP 7 Confirming Heat Source Operation.****Confirming Heat Source in Gas Dryers**

Close the door to the dryer drum/drying compartment and, after completing all steps in this manual for proper installation of this dryer, start the dryer on a heat setting. After the dryer starts, the igniter will glow red and the main burner will ignite.

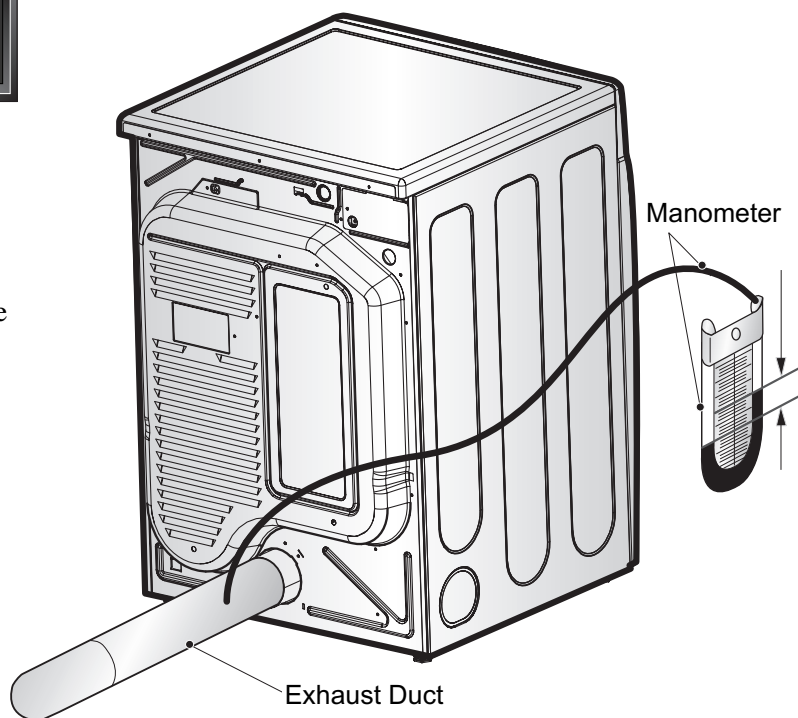
**Warning:** If all air is not purged from the gas line, the gas igniter may go off before the gas and the main burner have ignited. If this happens, the igniter will re-attempt gas ignition after approximately two minutes.

**Confirming Heat Source in Electric Dryers**

Close the door to the dryer drum/drying compartment and, after completing all steps in this manual for proper installation of this dryer, start the dryer on a heat setting. The exhaust air or the exhaust pipe should be warm after the dryer has been operating for three minutes.

**STEP 8 Dryer Airflow.**

Effective dryer operation requires appropriate dryer airflow. The adequacy of the airflow can be measured by evaluating the static pressure. Static pressure in the exhaust duct can be measured with a manometer, placed on the exhaust duct approximately 2 ft. (60.9 cm) from the dryer. Static pressure in the exhaust duct should not exceed 0.6 inches (1.5 cm). The dryer should be checked while the dryer is running with no load.

**Measuring Static pressure**

**MAXIMUM STATIC  
PRESSURE IN  
WATER COLUMN**

0.6 inches (1.5 cm)

### **STEP 9 Additional Instructions for Installation of Your Dryer in a Manufactured or Mobile Home.**

The following instructions are applicable to installations of the dryer in a manufactured or mobile home. Any installation in a manufactured or mobile home must comply with the Manufactured Home Construction and Safety Standards Title 24 CFR, Part 32-80 or Standard CAN/CSA0Z240 MH and local codes and ordinances. If you are uncertain whether your proposed installation will comply with these standards, please contact a service and installation professional for assistance.

The following instructions apply to any installation of the dryer in a manufactured or mobile home:

- 1) The gas dryer must be permanently attached to the floor.
- 2) The electrical connection for an electric dryer must be a 4-wire connection. More detailed information concerning the electrical connection is provided at the manual section entitled Electrical Requirements for Electric Dryer
- 3) To reduce the risk of combustion and fire, the dryer must be vented to the outside.
- 4) Electric dryers may be vented to the outside using the back, left, right, or bottom panel.
- 5) Gas dryers may be vented to the outside using the back, left, or bottom panel. Gas dryer may not be vented to the outside using the right side panel because of the burner housing.
- 6) The dryer exhaust duct must be affixed securely to the manufactured or mobile home structure, and the exhaust duct must be made of a material that will resist fire and combustion, and it is recommended that you use a rigid or flexible metal pipe.
- 7) DO NOT connect the exhaust duct with any other duct, vent, chimney, or other exhaust duct.
- 8) Make sure the dryer has adequate access to outside fresh air to ensure proper operation. The opening for outside fresh air must be at least 25 in<sup>2</sup> (163 cm<sup>2</sup>).
- 9) It is important that the clearance of the duct from any combustible construction be at least 2 inches (5 cm), and, when venting the dryer to the outdoors, the dryer can be installed with a clearance of 1 inch at the sides and back of the dryer.
- 10) Please be aware that venting materials are not supplied with the dryer. You should obtain the venting materials necessary for proper installation.

#### **WARNING!**

DO NOT connect exhaust ducts with metal screws or fasteners that extend into the duct.

#### **WARNING!**

DO NOT vent the exhaust duct under the manufactured or mobile home.

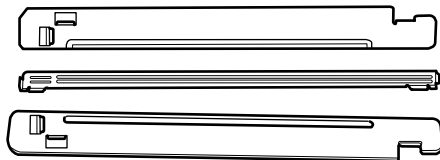
## Stacking Kit Installation Instructions

To ensure safe and secure installation, please observe the instructions below.

### **! WARNING!**

Incorrect Installation can cause serious accidents.

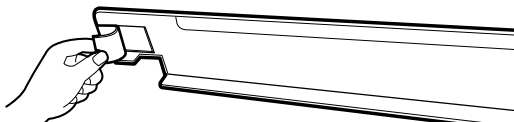
The weight of the dryer and the height of installation makes the stacking procedure too risky for one person. This procedure should be performed by 2 or more experienced service personnel.



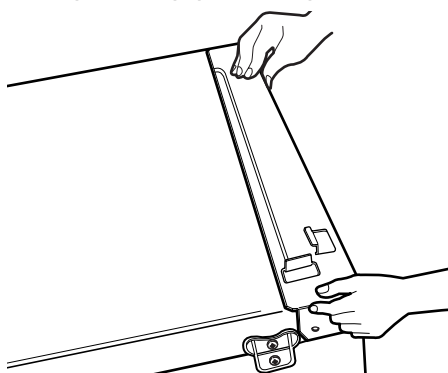
Stacking kit

**1** Place washer firmly on a stable, even and solid floor.

**2** Peel protective paper off the tape from the stacking kit side bracket.



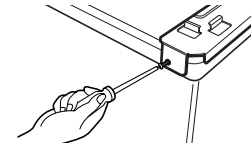
**3** Fit the stacking kit side bracket firmly to the side of top plate by attaching the double-sided tape to top plate as picture shows.



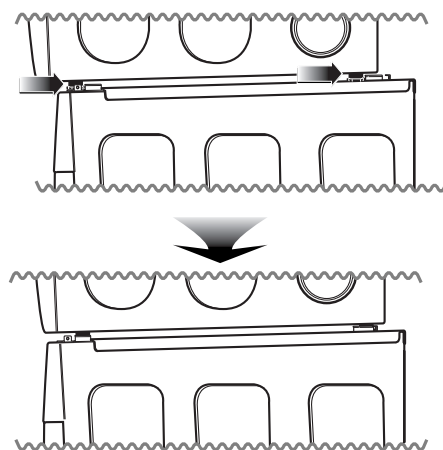
#### Note

If there are some foreign objects on the surface of top plate, it becomes difficult to apply double-sided tape on.

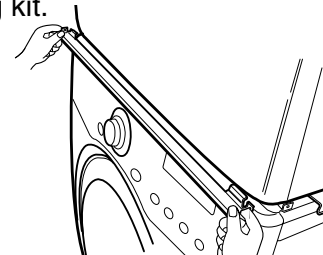
**4** Secure stacking kit side bracket to the washer with a screw on the back of bracket. Repeat Steps 2, 3, 4 for the other side.



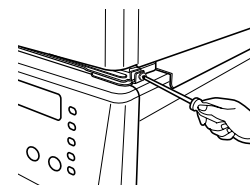
**5** Place the dryer on top of the washer by fitting legs as shown in the picture. Avoid finger injuries - be careful not to pinch fingers between the washer and dryer. Slide dryer slowly backwards to the stopper of kit.



**6** Insert the front stacking kit. Push the front stacking kit back to the stoppers of side stacking kit.



**7** Screw both sides of the front kit.



- Do not use stacking kit with a gas dryer in potentially unstable conditions like a mobile home.

**Pedestal Installation Instructions**

**1** Remove pedestal, installation hardware, and instructions from the shipping carton.

**2** Position dryer on top of the pedestal.  
**NOTE :** Because of the weight of the dryer two or more people may be needed.

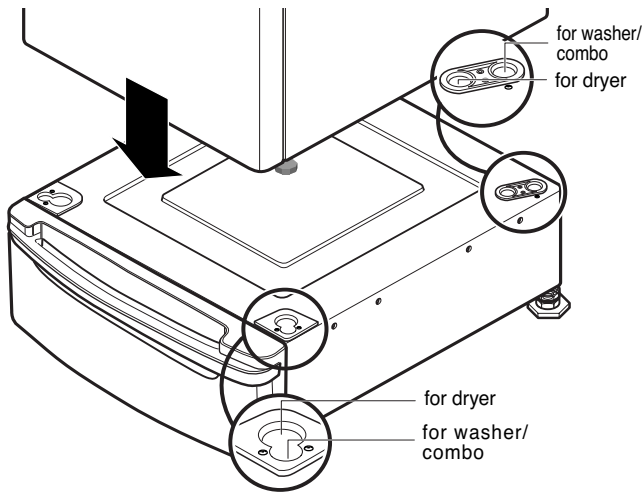
**NOTE :** If dryer was previously installed, uninstall it as follows:

**A. Uninstalling an electric dryer:**

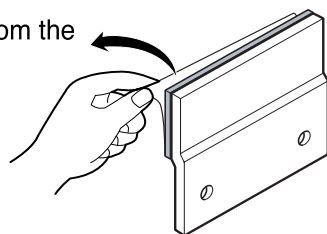
- 1) Unplug the power supply cord,
- 2) Pull the dryer away from the wall enough to loosen the vent clamp. Loosen the clamp and carefully remove the exhaust vent from the dryer exhaust outlet.

**B. Uninstalling a gas dryer:**

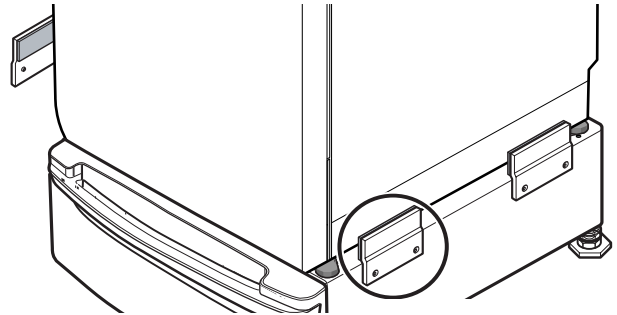
- 1) Shut off Gas
- 2) Unplug Power Cord
- 3) Disconnect Gas Line from Dryer
- 4) Pull away and loosen vent clamp. Disconnect venting.



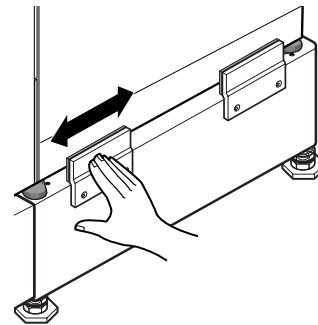
**3** Remove the paper from the bracket.



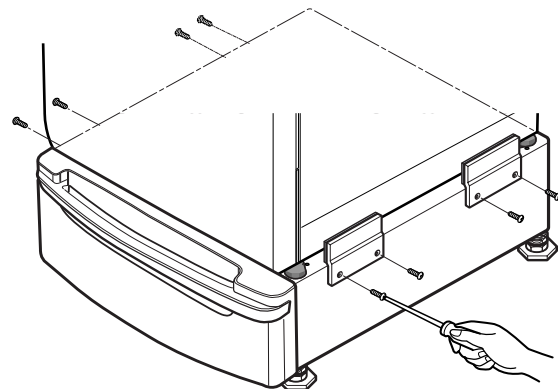
**4** Attach the double-sided tape of the bracket to the dryer as shown so the bent parts of the brackets align with the edge and can be attached to the pedestal with screws.  
**NOTE :** Attach the lower side first.



**5** Be sure to press the adhesive parts of the brackets firmly to the appliance.



**6** Install the eight (8) screws(supplied) to attach the brackets to the pedestal.



**7** Move the dryer to the desired place.  
**NOTE :** The appliance and pedestal assembly must be placed on a solid and level floor for proper operation. Adjust the legs of the appliance and pedestal by turning with a wrench. Then, adjust the lock unit toward the pedestal while holding the pedestal leg using a wrench.

Following are additional instructions regarding electrical connections and requirements for electric dryers.

**⚠ Important Warning:** To help prevent fire, electric shock, serious injury or death, the wiring and grounding must conform to the latest edition of the National Electrical Code, ANSI/NFPA 70 and all applicable local regulations. Please contact a qualified electrician to check your home's wiring and fuses to ensure that your home has adequate electrical power to operate the dryer.

#### 120V/ 240V, 60 Hertz, 3-Wire Installation

##### Instructions for Grounding of your Electric Dryer:

- a) This dryer must be connected to a grounded metal, permanent wiring system or an equipment-grounding conductor must be run with the circuit conductors and connected to the equipment-grounding terminal or lead on the dryer.
- b) The dryer has its own terminal block that must be connected to a separate 60 Hertz single phase AC circuit, fused at 30 Amperes (the circuit must be fused on both sides of the line).  
**ELECTRICAL SERVICE FOR THE DRYER SHOULD BE OF MAXIMUM RATE VOLTAGE LISTED ON THE NAMEPLATE. DO NOT CONNECT DRYER TO 110, 115, OR 120 VOLT CIRCUIT.** Heating elements are available for field installation in dryers which are to be connected to electrical service of different voltage than that listed on nameplate.
- c) If branch circuit to dryer is fifteen feet (4.50 m) or less in length, use U.L. (Underwriters Laboratories) listed No. 10 A.W.G. wire (copper wire only), or as required by local codes. If over fifteen feet (4.50 m), use U.L. (Underwriters Laboratories) listed No. 8 A.W.G. wire (copper wire only), or as required by local codes. Allow sufficient slack in wiring so dryer can be moved from its normal location when necessary.
- d) The power cord (pigtail) connection between wall receptacle and dryer terminal block IS NOT supplied with dryer. Type of pigtail and gauge of wire must conform to local codes and with instructions mentioned on the following pages.
- e) The method of wiring the dryer is optional and subject to local code requirements. Refer to examples on next page.
- f) You must select the method by which to wire your dryer according to local code and ordinance requirements. Sample methods are included in the following pages.

Review the following options to determine the appropriate electrical connection for your home:



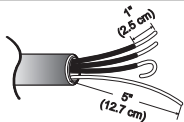
**4-wire receptacle  
(NEMA type 14-30R)**

Use the instructions in this section if your home has a 4-wire receptacle (NEMA type 14-30R) and you will be using a UL listed, 120/240 volt minimum, 30 amp, dryer power supply cord.



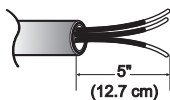
**3-wire receptacle  
(NEMA type 10-30R)**

Use the instructions in this section if your home has a 3-wire receptacle (NEMA type 10-30R) and you will be using a UL listed, 120/240 volt minimum, 30 amp, dryer power supply cord.



**4-wire direct**

If this type is available at your home, you will be connecting to a fused disconnect or circuit breaker box



**3-wire direct**

If this type is available at your home, you will be connecting to a fused disconnect or circuit breaker box

**Note**

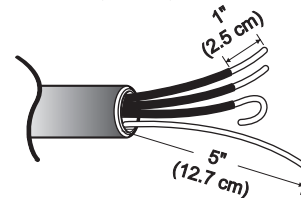
- Screw power supply wire to the terminal block. Colored wire should be connected to same color screw. Wire color indicated on manual is connected to the same color screw in block. Otherwise, excessive current is applied resulting in damages on product and heating failure.

**4-wire connection : Direct wire**

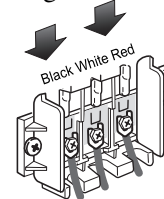
**Important :** Grounding through the neutral conductor is prohibited for (1) new branch-circuit installations, (2) mobile homes, and (3) recreational vehicles, and (4) areas where local codes prohibit grounding through the neutral conductor.

Prepare minimum 5ft(1.52m) of length in order for dryer to be replaced.

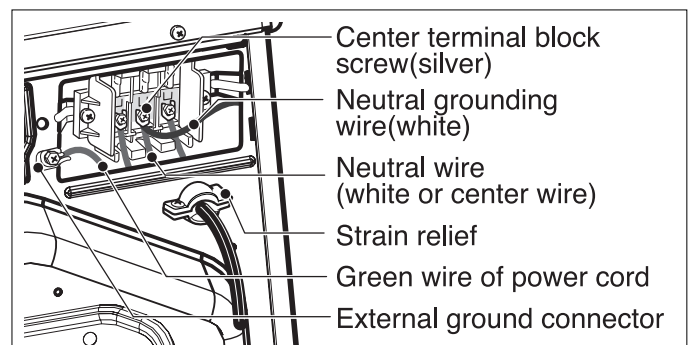
First, peel 5 inches (12.7cm) of covering material from end. Strip 5 inches of ground wire insulation. After cutting 1 1/2 inch (3.8cm) from 3 other wires peel insulation back 1inch (2.5cm). Make ends of 3 wires a hook shape.



Then, put the hooked shape end of the wire under the screw of the terminal block(hooked end facing rightward) and pinch the hook together and screw tightly.



1. Connect neutral wire(white) of power cord to center terminal block screw.
2. Connect red and black wire to the left and right terminal block screws.
3. Connect ground wire(green) of power cord to external ground screw and move neutral ground wire of appliance and connect it to center screw.
4. Make sure that the strain relief is tightened, and be sure that all terminal block nuts are on tight and power cord is in right position.

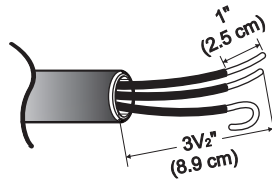


**3-wire connection : Direct wire**

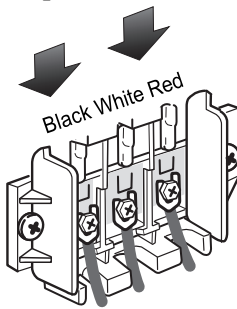
**Important :** Grounding through the neutral conductor is prohibited for (1) new branch-circuit installations, (2) mobile homes, and (3) recreational vehicles, and (4) areas where local codes prohibit grounding through the neutral conductor.

Prepare minimum 5ft(1.52m) of length in order for dryer to be replaced.

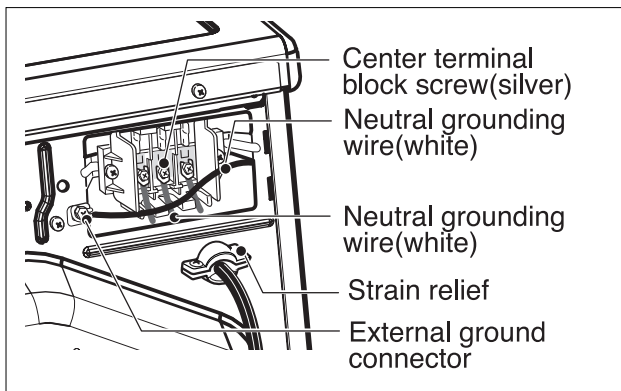
First, strip 3 1/2 inches (8.9cm) of outer sheath from end and strip 1 inch of insulation from each conductor.



Then, put the hooked shape end of the wire under the screw of the terminal block(hooked end facing rightward) and pinch the hook together and screw tightly.

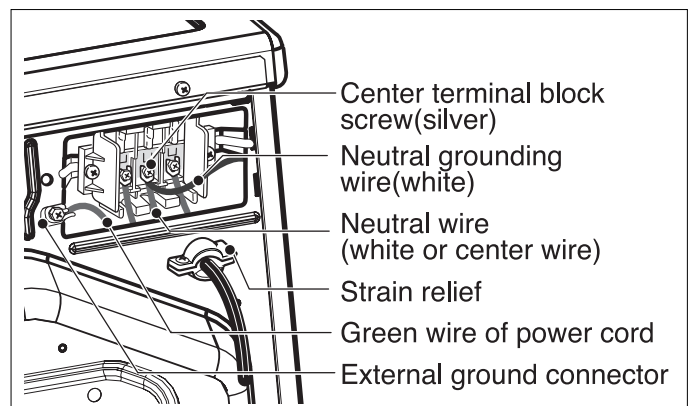
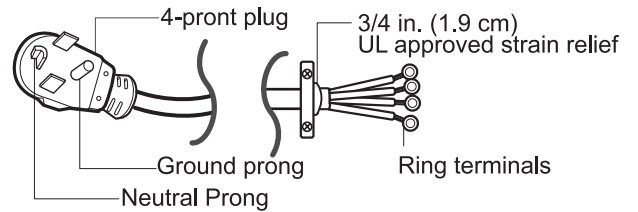
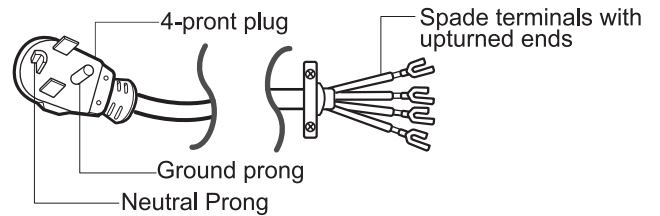
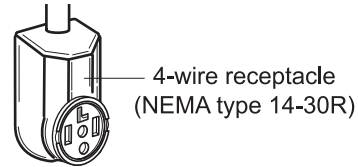


1. Connect neutral wire(white) of power cord to center terminal block screw.
2. Connect red and black wire to the left and right terminal block screws.
3. Make sure that the strain relief screw is tightened and be sure that all terminal block nuts are on tight and power cord is in right position.



**Option 1: 4-wire connection with a Power supply cord.**

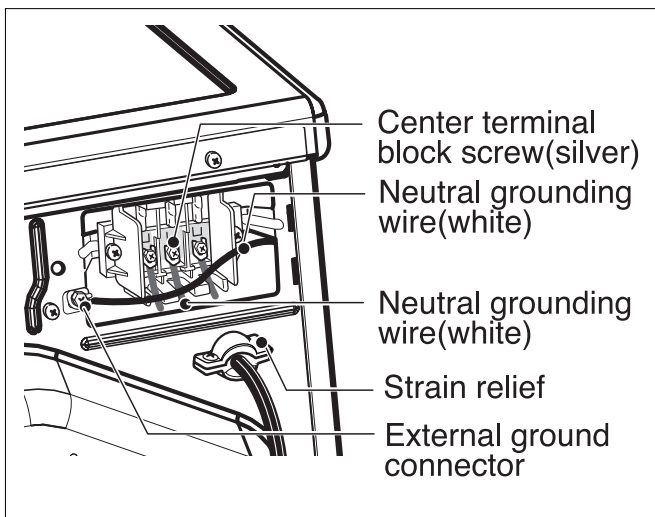
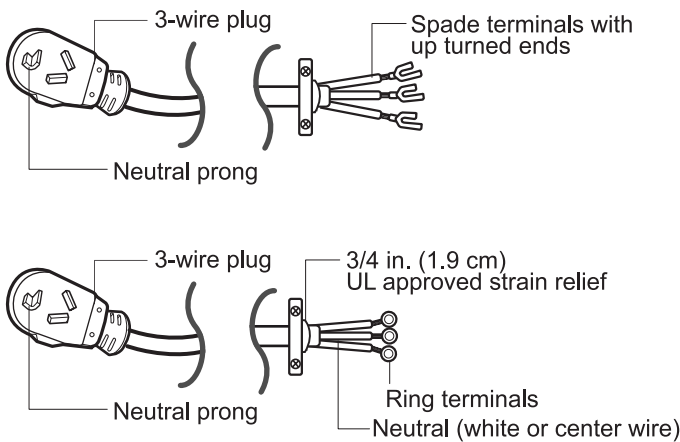
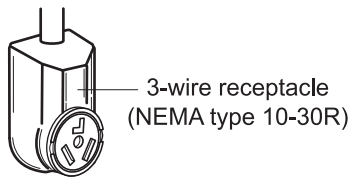
- If your local codes or ordinances do not allow the use of a 3 wire connection, or you are installing your dryer in a mobile home, you must use a 4-wire connection.



1. Connect neutral wire(white) of power cord to center terminal block screw.
2. Connect red and black wire to the left and right terminal block screws.
3. Connect ground wire(green) of power cord to external ground screw and move neutral ground wire of appliance and connect it to center screw.
4. Make sure that the strain relief screw is tightened. and be sure that all terminal block nuts are on tight and power cord is in right position.

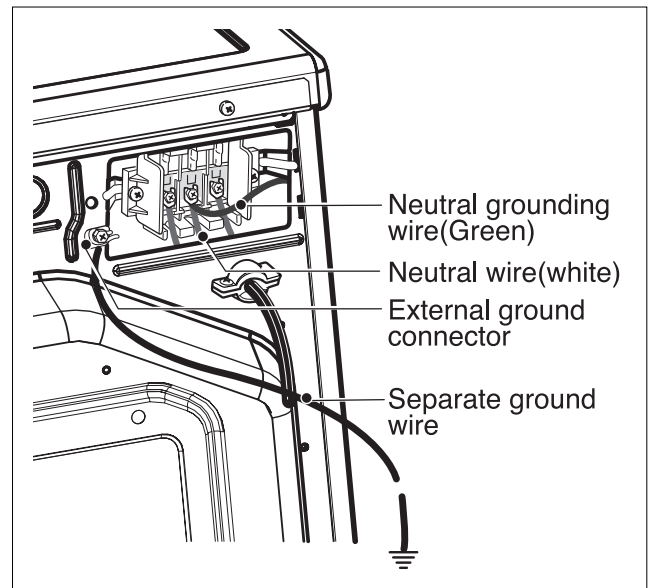
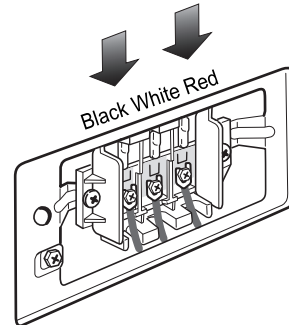
**Option 2: 3-Wire Connection with a Power Supply Cord**

If your local codes or ordinances permit the connection of a frame-grounding conductor to the neutral wire, use these instructions. If your local codes or ordinances do not allow the connection of a frame-grounding conductor to the neutral wire, use the instructions under **Section 3: Optional 3-wire connection.**



**Option 3: Optional 3-wire connection.**

- If your local codes or ordinances do not allow the connection of a frame-grounding conductor to the neutral wire, use the instructions under this section.



1. Connect neutral wire (white) of power cord to center terminal block screw.
2. Connect ground wire of appliance and neutral wire of power cord to center terminal block screw.
3. Connect red and black wire to the left and right terminal block screws.
4. Make sure that the strain relief screw is tightened, and be sure that all terminal block nuts are on tight and power cord is in right position.
5. Connect an independent ground wire from external ground connector to proper ground.

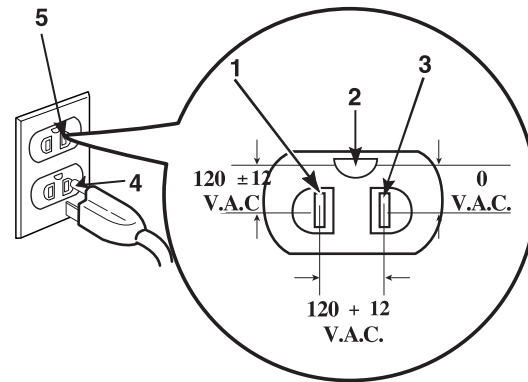
### 120 Volt, 60 Hertz, with 3-Prong Grounding Plug

Following are additional instructions regarding electrical connections and requirements for gas dryers.

**⚠ Important Warning:** To help prevent fire, electric shock, serious injury or death, the wiring and grounding must conform to the latest edition of the National Electrical Code, ANSI/NFPA 70, or the Canadian Electrical Code, CSA C22.1, and all applicable local regulations. Please contact a qualified electrician to check your home's wiring and fuses to ensure that your home has adequate electrical power to operate the dryer.

#### Electrical Requirements for Your Dryer:

- Please note that the wiring diagram is provided inside the dryer control hood. Label all wires prior to disconnection when servicing the dryer, because wiring errors can cause serious injury to you and your dryer.
- Your dryer is designed to be used on a separate branch, polarized, three-wire, effectively grounded, 120 Volt, 60 Hertz, AC (alternating current) circuit protected by a 15 Ampere fuse, equivalent fuse or circuit breaker.
- Use separately fused circuits for washers and dryers, and **DO NOT** operate a washer and a dryer on the same circuit.



#### STANDARD 120 VOLT, 60 HERTZ, 3-WIRE EFFECTIVELY GROUNDED CIRCUIT

- 1 L1
- 2 Ground
- 3 Neutral Side
- 4 Round Grounding Prong
- 5 Neutral

- The dryer has a three-prong plug to help guard against shock. The plug should be plugged directed into a properly grounded three-prong receptacle that is rated 120 Volts AC (alternating current) 15 Amps. This plug, in order to be properly and fully effective, must be plugged into a properly installed outlet that is grounded in accordance with all local codes and ordinances.
- The dryer must be grounded in order to reduce the risk of electric shock, including a malfunction or breakdown.
- If your laundry room does not meet the specifications required by this manual, or if you are uncertain whether or not your laundry room meets these specifications, please have a qualified service person or company. Review your laundry room's electrical supply for any problems.

#### **⚠ WARNING!**

Do not overload the circuit by operating other appliances on the same circuit when this appliance is operating, by using an extension cord to connect the dryer to the power source, or by using any adapter to allow additional cords to connect to the same outlet.

#### **⚠ WARNING!**

**DO NOT modify the plug provided with the dryer.** If it does not fit the outlet in your laundry room, a proper outlet will need to be installed in your laundry room by a qualified service person or company.

Following are important instructions and information concerning the requirements for the gas supply and service for gas dryers. **⚠ Important Warning:** The gas supply and service for a gas dryer must comply with all local codes and ordinances. In the absence of any local codes or ordinances in your area, the gas supply and service for your gas dryer must comply with the latest edition of the National Fuel Gas Code, ANSI Z223.1/NFPA 54.

1. Gas supply requirements: Liquefied Petroleum (L.P.) Gas (2,500 Btu/ft<sup>3</sup> (93.1 MJ/m<sup>3</sup>)) service must be provided at 10 + 1.5 in. water column pressure.
2. Do not attempt to connect Dryer to Liquefied Petroleum (LP Gas) Gas service without a qualified professional.
3. Isolate the dryer from the gas supply piping system by closing its individual manual shut-off valve, during any pressure testing of the gas supply system at test pressure equal to or less than 2/1 psi (3.45 kPa).
4. Supply Line Requirements. Your laundry room must have a rigid gas supply line to your dryer. In the United States, an individual manual shutoff valve **MUST** be installed within at least 6 feet (1.8m) of the dryer, in accordance with the National Fuel Gas Code ANSI Z223.1. A 1/8 in. N.P.T. pipe plug must be installed as shown.
5. If using a rigid pipe, the rigid pipe should be 1/2 inch IPS. If acceptable under local codes and ordinances and when acceptable to your gas supplier, 3/8 inch approved tubing may be used where lengths are less than 20 feet (6.1m). Larger tubing should be used for lengths in excess of 20 feet (6.1m). It is also important that you use pipe joint compound that is insoluble in LP gas.
6. To reduce the danger of gas leaks, explosion, and fire, please follow and observe the following **instructions and WARNINGS**.
  - Connect the dryer to the type of gas shown on the nameplate.
  - Use new flexible stainless steel connectors.
  - Use Teflon tape and pipe joint compound insoluble in LP gas on all pipe threads.
  - Purge gas supply of air and sediment before connecting the gas supply to the dryer; in order to prevent gas valve contamination. Before tightening connection between gas supply and dryer, purge remaining air until odor of gas is identified.
  - **DO NOT** use an open flame to inspect for gas leaks, instead use a non-corrosive leak detection fluid.

### **⚠ WARNING!**

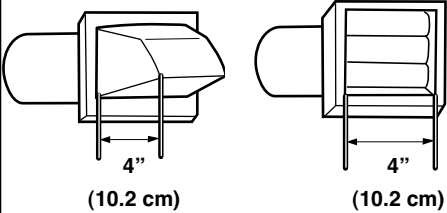
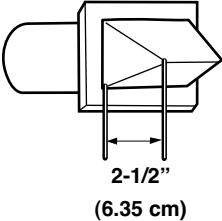
**DO NOT** attempt any disassembly of the dryer, any disassembly requires the attention and tools of an authorized and qualified service person or company.

### **⚠ WARNING!**

- Use a new AGA or CSA approved gas supply line.
- Install a shut-off valve.
- Securely tighten all gas connections.
- If connected to LP, have a qualified person make sure gas pressure does not exceed 13 in. water column.
- Examples of a qualified person include licensed heating personnel, authorized gas company personnel, and authorized service personnel.
- Failure to do so can result in death, explosion, or fire.

Following are important instructions and information concerning the exhaust requirements for your dryer.

**⚠ Important Warning:** To reduce the risk of fire, combustion, or accumulation of combustible gases, **DO NOT** exhaust dryer air into an enclosed and unventilated area, such as an attic, wall, ceiling, crawl space, chimney, gas vent, or concealed space of a building. To reduce the risk of fire, **DO NOT** exhaust the dryer with plastic or thin foil ducting.

Weather Hood Type	Number of 90° Elbows	Maximum length of 4" (10.2 cm) diameter rigid metal duct	Maximum length of 4" (10.2 cm) diameter flexible metal duct
<p><b>Recommended</b></p> 	0	65 feet (19.8 m)	45 feet (13.7 m)
	1	55 feet (16.8 m)	35 feet (10.7 m)
	2	47 feet (14.3 m)	30 feet (9.1 m)
	3	36 feet (11.0 m)	25 feet (7.6 m)
	4	28 feet (8.5 m)	20 feet (6.1 m)
<p><b>Use Only for Short Run Installations</b></p> 	0	55 feet (16.8 m)	35 feet (10.7 m)
	1	47 feet (14.3 m)	27 feet (8.2 m)
	2	41 feet (12.5 m)	21 feet (6.4 m)
	3	30 feet (9.1 m)	17 feet (5.2 m)
	4	22 feet (6.7 m)	15 feet (4.5 m)

**NOTE :** Deduct 6 feet (1.8 m) for each additional elbow.  
It is not recommended to use more than 4 90° elbows.

**Exhaust Requirements and Instructions:**

- Venting materials are not provided with the dryer and you should obtain the necessary venting materials locally. For example, the outer end of exhaust pipe must have a weather hood with hinged dampers to prevent back-draft when the dryer is not in use.
- The exhaust duct must be four inches (10.2 cm) in diameter with no obstructions. The exhaust duct should be kept as short as possible. Make sure to clean any old ducts before installing your new dryer.
- Rigid or semi-rigid metal ducting is recommended for use as transition ducting between the dryer and the wall. In special installations when it is impossible to make a connection with the above recommendations, then a UL-listed flexible metal transition duct may be used between the dryer and wall connection only. The use of this ducting will affect dry time.
- DO NOT** use sheet metal screws on exhaust pipe joints or other fastening means which extend into the duct that could catch lint and reduce the efficiency of the exhaust system. Secure all joints with duct tape.
- To maximize operating results, please observe the duct length limitations noted in the chart above.

### Exhaust and Dryer Maintenance

#### **WARNING!**

Disconnect the dryer's electric power prior to any cleaning or maintenance.

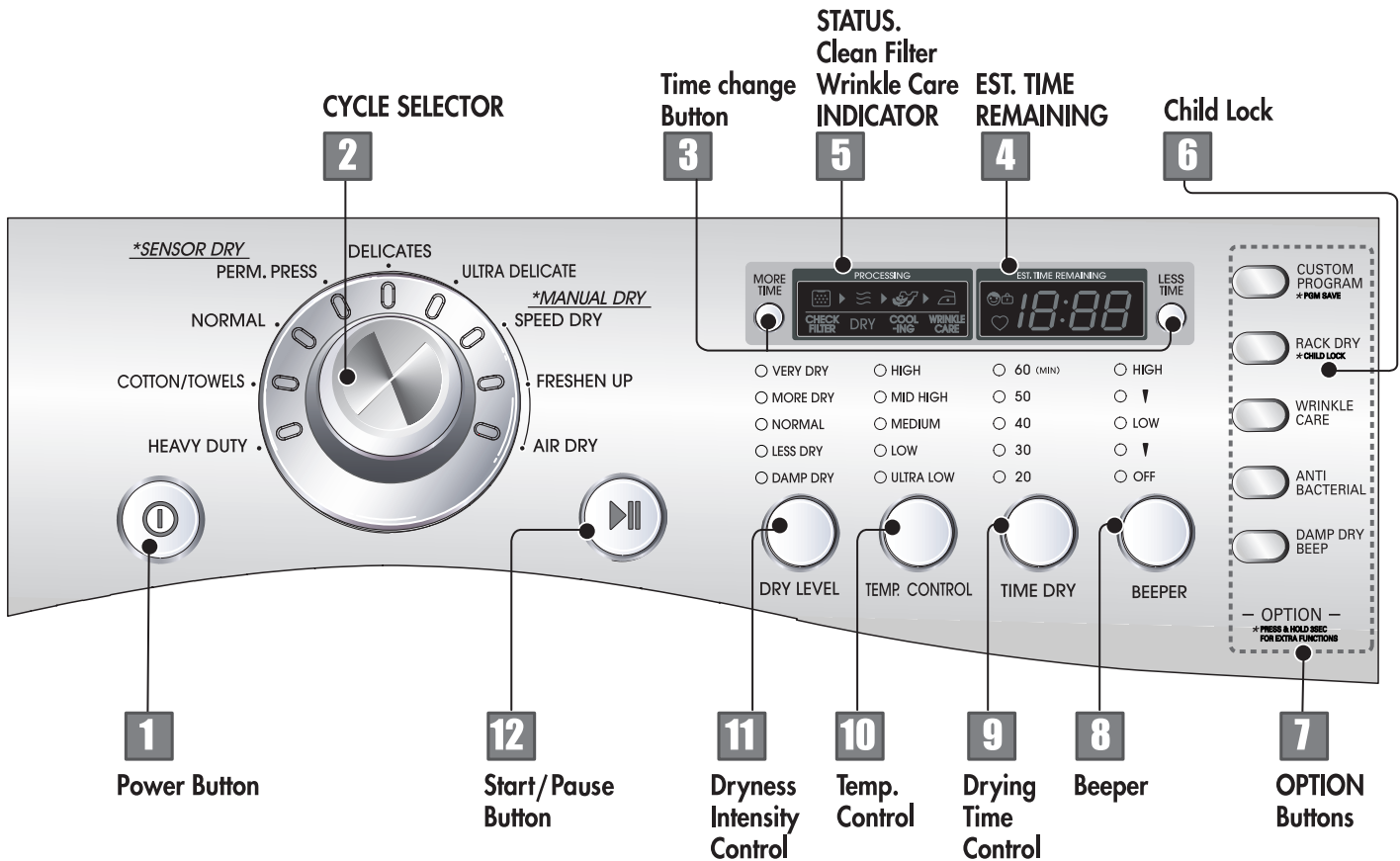
1. After one year of use, the interior and complete exhaust system of the dryer should be examined and cleaned if necessary.
2. Before one year of use, when drying performance has become unsatisfactory, please examine and clean the exhaust duct for better drying performance.
3. Check the weather hoods frequently to ensure the dampers are moving freely, that the dampers are not pushed in and that nothing has been set against the dampers.
4. A qualified service person or company should be used to perform this maintenance.
5. A Flexible Metal Vent Kit, available at extra cost, can be used to exhaust the dryer when it is placed in hard to reach places. This Kit comes in two pieces, one of which is attached to the dryer and the other is attached to the wall exhaust outlet. Following attachment of the two separate pieces to the dryer and the wall, the dryer may be returned to its final position, after which the two pieces themselves can be connected.
7. Ordinarily, the dryer drum will need no care. Wipe the exterior of the dryer as required, and always wipe the exterior of the dryer in the event any detergent, bleach, or other washing products is spilled on the dryer.
8. Clean the control panel with a damp cloth as necessary. Warning: spray pre-wash products may damage the finish of the control panel.
9. Please clean the lint filter either before drying each load or after drying each load.
10. Always make sure the lint filter is clean before starting a new load, because a clogged lint filter may increase drying times.
11. Annually remove the lint filter and attach it to the vacuum duct. See item #2 above.
12. Please note that the wiring diagram is provided inside the dryer control hood. Label all wires prior to disconnection when servicing the dryer, because wiring errors can cause serious injury to you and your dryer.

### Cleaning the Lint Screen

1. Clean the lint filter either before drying each load or after drying each load. Always make sure the lint filter is clean before starting a new load, because a clogged lint filter may increase drying times.
2. To clean, pull the lint screen straight up and roll any lint off the screen with your fingers. Do not rinse or wash screen to remove lint. Push the lint screen firmly back into place.
3. Always ensure the lint screen is firmly secured before running the dryer. Running the dryer with a loose lint screen may cause overheating and damage to the dryer and articles being dried.
4. Some articles of clothing may shed more lint than others (towels for example), causing the Lint Screen to rapidly fill. Remove lint from the lint screen before and after drying these articles, such as new towels.
5. In the event lint falls off of the lint screen and into the dryer during removal, inspect the exhaust hood and remove any lint.
6. Laundry detergent and fabric softener residue can build up on the lint screen, causing longer drying times. The screen is likely blocked if lint falls off the screen. In order to prevent this type of build up, and help ensure proper operation of your dryer, clean the lint screen with a nylon brush every six months or, if necessary, more frequently. The lint filter can also be washed as follows:
  - a) After rolling the lint off of the screen with your fingers, wet both sides of the screen with hot or warm water.
  - b) Wet a nylon brush with hot water and liquid detergent and scrub the lint screen with the brush to remove the buildup of detergent and fabric softener.
  - c) After the residue has been removed, rinse screen with hot water.
  - d) After drying the lint screen with a clean towel, firmly replace the lint screen in your dryer.

Following are instructions for starting and using your new dryer. Please refer to specific sections of this manual for more detailed information. Important Warning: To reduce the risk of fire, electric shock, or injury to person, read this entire manual, including the **Important Safety Instructions**, before operating this dryer.

■ DLE7177WM/DLG7188WM/DLE7177NM/DLG7188NM/DLE7177RM/DLG7188RM



**! WARNING!**

**Fire Hazard**

No washer can completely remove oil. Do not dry anything that has ever had any type of oil on it (including cooking oils). Items containing foam, rubber, or plastic must be air dried. Failure to follow these instructions can result in death or fire.

**! WARNING!**

**Explosion Hazard**

Keep flammable materials and vapors, such as gasoline, away from dryer. Do not dry anything that has ever had anything flammable on it (even after washing). Failure to follow these instructions can result in death, explosion, or fire.

**1 Power Button**

- Use this button for power on or off.

## 2 Cycle Selection

- By dialing the knob, select the desired cycle based on laundry types and conditions.

### 1. Sensor Dry Cycles

Sensor Dry Cycles allow you to match the cycle to the load you are drying. Each cycle dries certain fabrics at the recommended temperature. A sensor detects the moisture in the load and automatically adjusts the drying time for optimal drying

#### **Heavy Duty**

Use for drying heavy Fabrics such as jeans, Corduroys or work clothes.

#### **Cotton/Towels**

Use for drying denims, towels, heavy cottons

#### **Normal**

Use for drying sturdy fabrics such as work casual clothes

#### **Perm. press**

Use for permanent press and synthetic items

#### **Delicates**

Use for drying synthetic fabrics, washable knit fabrics and no-iron finishes

#### **Ultra Delicate**

Use for drying gentle

Items such as workout wear, shear and lace items

Sensor Dry Preset Cycle Settings		
Sensor Dry Cycles Load Type	Temp.	Time* (Minutes)
<b>HEAVY DUTY</b> Jeans, heavyweight	<b>High</b>	<b>54</b>
<b>COTTON/TOWELS</b> Towel, denim pants	<b>Medium High</b>	<b>55</b>
<b>NORMAL</b> Work clothes, corduroys	<b>Medium</b>	<b>41</b>
<b>PERM. PRESS</b> Synthetics, permanent press	<b>Low</b>	<b>36</b>
<b>DELICATES</b> Lingerie, sheets, blouses	<b>Low</b>	<b>32</b>
<b>ULTRA DELICATE</b> Shear, workout wear and lace items	<b>Ultra Low</b>	<b>34</b>

### 2. Manual Dry Cycles

Use Manual Cycles to select a specific amount of drying time and a drying temperature. When a Manual Cycle is selected, the ESTIMATED TIME REMAINING display shows the actual time remaining in your cycle. You can change the actual time in the cycle by pressing MORE TIME or LESS TIME.

#### **Speed Dry**

Use for small loads or loads that need a short drying time.

#### **Freshen Up**

Use this cycle to remove wrinkles from items, such as clothes packed in a suitcase or items wrinkled from being left in the dryer too long.

#### **Air Dry**

Use the Air Dry Modifier for items that require drying without heat such as rubber, plastic and heat-sensitive fabrics.

### 3 Time Change Button



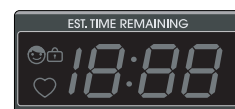
- Press MORE TIME or LESS TIME until the desired drying time is set.

#### **Note**

**Time change button is available only with Manual Dry, Time Dry and Rack Dry programs.**

### 4 Estimated Time Remaining

- The Display shows the estimated time remaining. In addition to this, if the dryer has some problem, it displays error messages.



**5 Status/Clean Filter/Wrinkle Care Indicator**

• It shows status of drying operation. When Wrinkle Care is selected, this option light will glow. When power is on, Check Filter is displayed until start/pause is selected.



**⚠ WARNING!**

For better drying performance and safety, clean lint filter every single use.

**6 Child Lock**



**1. Child Lock**

Child Lock can be used to prevent your children from changing options on control panel while the dryer is running.

When Child Lock is enabled, all the buttons will be locked and Child Lock glows.

To enable Child Lock, Press and hold Rack Dry for 3 seconds, A single beep tone is heard and Child Lock is displayed on the status window.

To disable Child Lock, press and hold Rack Dry for 3 seconds again.

**7 Option Buttons**

**1. CUSTOM PROGRAM.**

Set up your favorite combination of settings and save them here for one-touch recall.



1. Select a cycle
2. Change DRY LEVEL and TEMP. CONTROL.
3. Select OPTIONS you want.
4. Press and hold the CUSTOM PROGRAM.

**To recall your stored CUSTOM PROGRAM**  
Press CUSTOM PROGRAM button, then press START/PAUSE.

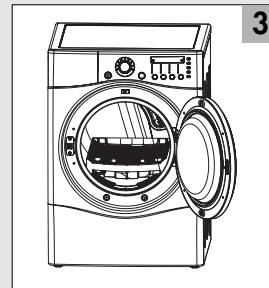
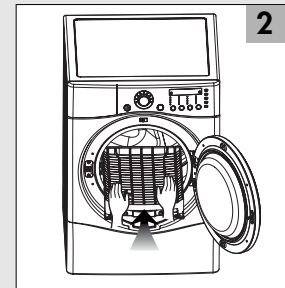
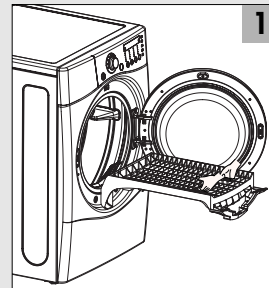
**2. Rack Dry**

Rack Dry is designed for use with items which are not designed for tumble drying such as sweaters, silk or lingerie.



Sneakers also will be great with this option.

**■ To use the RACK DRY**



1. Open the door. Hold the dryer rack with both hands.
2. Put the dryer rack into the drum
3. Make sure Dryer RACK is evenly spaced right onto the drum inside and door rim.

**Note**

**Don't use Rack for normal tumble drying. Rack Dry is shipped in place in your dryer so remove rack for normal laundry.**

Suggested Items for Rack Drying	Temperature Setting	Suggested Time* (Minutes)
Washable wool items	Low	20
Stuffed toys with cotton or polyester fiber filling	Low/Ultra Low	20/30
Stuffed toys, foam rubber filled.	Air Dry/ Ultra Low	50/30
Foam rubber pillows	Air Dry	50
Athletic shoes	Air Dry	20

\* Reset time as needed to complete drying.

**3. Wrinkle Care**

This option helps to prevent wrinkles in your laundry.



When you select the wrinkle free option, the dryer will periodically tumble for up to three hours after the cycle has completed.

You can use this option in case that you can not remove laundry immediately after drying is done.

**4. Anti Bacterial**

This option reduces bacteria by using high temperature during the cycle. This option can only be used with the Heavy Duty, Cotton/Towels and Normal cycles.



**Note**

**Do not use this cycle with delicate fabrics.**

**5. Damp Dry Beep**

When you select the damp dry beep option, a beep will alert you when your load is approximately 80% dry.

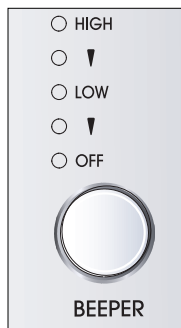
This notice will allow you to remove lightweight items that are dry or other items that you may wish to iron.



**8 Beeper**

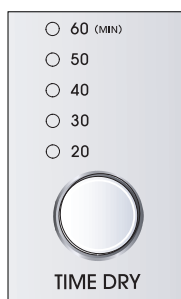
The BEEPER controls the volume of the beep that is made when you press any of the buttons on the control panel.

Press BEEPER to adjust the sound level or turn off the signal.



**9 Time Dry**

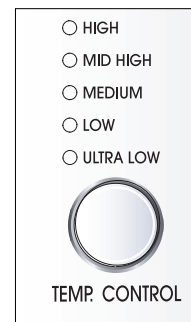
Use Time Dry Option to change Drying Time on your own. You can select the desired operation time manually by pressing Time Dry button which ranges from 20 to 60 minutes.



Manual Preset Cycle Settings		
Manual Dry Cycles Load Type	Temp.	Default Time* (Minutes)
SPEED DRY SMALL LOADS	High	25
FRESHEN UP Remove Wrinkles	Medium High	20
AIR DRY	Air Dry	30

**10 Temp. Control**

Use Temp. Control Option to select temperatures for the Manual Cycles. Press TEMP. CONTROL until the desired temperature setting glows. Temperature modifiers cannot be used with the Sensor Dry Cycles.



**When using Air Dry**

This chart shows examples of items that can be dried using AIR DRY.

Type of Load	Default Time* (Minutes)
Foam rubber-pillows, padded bras, stuffed toys	20 - 30
Plastic-Shower curtains, tableclothes	20 - 30
Rubber-backed rugs	40 - 50
Olefin, polypropylene, shear nylon	10 - 20

Reset cycle to complete drying, if needed.

- Check to see that coverings are securely stitched.
- Shake and fluff pillows by hand periodically during the cycle.
- Dry item completely. Foam rubber pillows are slow to dry.

**NOTE:** Air Dry is not available with Sensor Dry Cycles.

**11 Dry Level**

- VERY DRY
- MORE DRY
- NORMAL
- LESS DRY
- DAMP DRY



DRY LEVEL

- Use this button to set dry level
- First, select sensor dry cycle.
- Select dry level to adjust how much you want to dry the load. As the cycle runs, the control senses the dryness of the load and adjusts the time automatically based on the selected dryness level.

**Note**

**DRY LEVEL selections can only be made while using Sensor Dry Cycles. Selecting MORE Dry or LESS Dry automatically adjusts the needed time which is already sensed.**

**12 Start / Pause Button**

- Use this button for start or pause.

**Starting your dryer**

**1. Before use**

- Clean lint screen before or after each cycle.
- Place laundry into dryer and shut door. See Loading.
- Turn the knob to select the drying cycle you want. The preset setting for Sensor Dry Cycles or Manual Cycles will glow. The estimated or actual cycle time (in minutes) will show in the display.

**2. Loading**

- Determine load size by the amount of space the load requires rather than the weight of the load.
- Avoid overloading the dryer. Following these instructions can help reduce your utility bill, prolong the life of your clothes, and decrease the likelihood of uneven drying and wrinkle.

**3. To use a sensor dry cycle**

- **Select DRY LEVEL** to adjust how dry you want the load. As the cycle runs, the control senses the dryness of the load and adjusts the time automatically for the selected dryness level.
- **Select** the desired Options.
- **Press START/PAUSE**

**Note**

**DRY LEVEL selections can only be made while using Sensor Dry Cycles. Selecting MORE Dry or LESS Dry automatically adjusts the sensed time needed.**

Following are sample loads for Super Capacity Dryers:	
<b>Heavy Work Clothes</b>	
4 jeans	2 sweatpants
4 workpants	2 sweatshirts
4 work shirts	
<b>Cotton/Towels</b>	
10 bath towels	14 wash cloths
10 hand towels	
<b>Mixed Load</b>	
3 sheets (1 king, 2 twin)	9 T-shirts
4 pillowcases	9 shorts
3 shirts	10 handkerchiefs
3 blouses	

## 4. To use a manual dry cycle

- Select a Manual Dry Cycle.
- Press MORE TIME or LESS TIME until the desired drying time is displayed. Tap MORE TIME or LESS TIME and the time will change by 1 minute interval.

### Note

The MORE TIME or LESS TIME feature can be used with Manual Dry, Time Dry and Rack Dry Cycles.

- Press TEMP. CONTROL until the desired temperature indicator glows.
- (OPTIONAL STEP) If desired, select OPTIONS. For more details, see Options.
- Press START/PAUSE. Be sure the door is closed.
- If you do not press START/PAUSE within 10 minutes of selecting the cycle, the dryer automatically shuts off.
- If you wish to end your drying cycle after pressing START/PAUSE, press START/PAUSE again.

### To stop your dryer at any time

Press START/PAUSE or open the door.

## 5. Pausing or restarting To pause the dryer at any time

Open the door or press START/PAUSE once.

### To restart the dryer

Close the door. Press START/PAUSE.

### Note

Drying will continue from where the cycle was interrupted if you close the door and press START within 10 minutes. If the cycle is interrupted for more than 10 minutes, the dryer will shut off. Select new cycle settings before restarting the dryer.

### ⚠ WARNING!

Improper wire connection or related wiring error will can cause fire or electric shock or death.

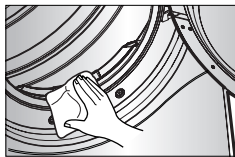
## Maintenance

### Clean lint filter

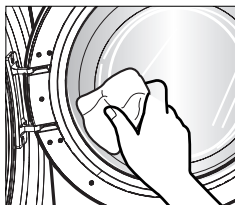
Clean the lint filter after each use and check it before use. Not cleaning or emptying the filter will increase drying time and energy consumption, therefore dryer life expectancy could be shortened after all.

### ■ Clean the door and its opening

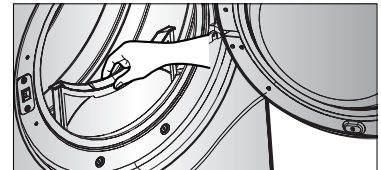
1. Wipe out the door opening. Otherwise, build-ups of dirty and foreign objects will damage sealing of door.



2. Clean the transparent glass door to keep inside view clear through the glass.

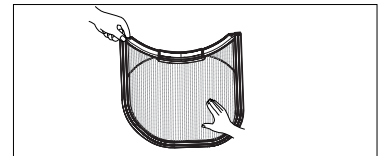


1. Open the door and pull the filter straight up

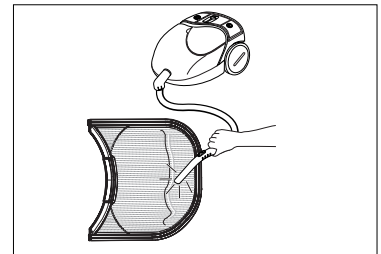


2. Clean the filter using one of the following methods.

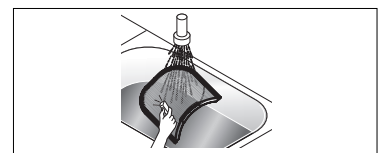
- ① Run the fingers across the filter



- ② Vacuum the lint filter



- ③ Wash the lint screen in warm, soapy water. Dry thoroughly and replace.



## Troubleshooting Tips

Save time and money! Review the charts on the following pages first and you may not need to call for service.

**1.Problem:My Dryer Won 't Start**

Question	What to Do
• Is the dryer plugged in?	Confirm that the dryer's plug is securely and completely pushed into the laundry room's power outlet
• Is the fuse blown, or is the circuit breaker tripped?	Check your home's or laundry room's fuse box/circuit breaker box and replace the fuse or reset the circuit breaker. (IMPORTANT: electric dryers generally use two fuses or breakers.)

**2.Problem:My Dryer Doesn 't Heat**

Question	What to Do
• Is the fuse blown, or is the circuit breaker tripped?	If the fuse is blown or the circuit breaker tripped, the dryer might tumble but not heat. Check your home's or laundry room's fuse box / circuit breaker box and replace the fuse or reset the circuit breaker. (IMPORTANT: electric dryers generally use two fuses or breakers.)
• Is the gas supply or service blocked or off?	Confirm that the house gas shutoff and the dryer gas shutoff are both fully open.

**3.Problem:There are Greasy Spots on My Clothes**

Question	What to Do
• Did you follow the instructions on your fabric softener product?	Confirm and follow the instructions provided with your fabric softener product.
• Are you drying clean and dirty clothes together?	Make sure to use your dryer to dry only clean items, because dirty items can soil clean clothes placed in the same load or later placed in the dryer drum.
• Were your clothes entirely clean?	Stains on dried clothes are actually stains that weren't cleansed during the washing process. Please review and confirm that you are following your washing instructions and that the clothes are being completely cleaned.

**4. Problem: My Dryer Displayed Error**

Question	What to Do
tE1	It is displayed when thermistor is not disconnected. In this case, thermistor should be replaced and call a service center.
tE2	It is displayed when thermistor is short. In this case, thermistor should be replaced and call a service center.

**5.Problem:There is Lint on my Clothes**

Question	What to Do
• Is your lint filter full?	Please refer to the manual section on cleaning the lint filter, and please confirm that the lint filter is clean. It is important that the lint filter is clean before each new load of laundry.
• Did you properly sort your load of laundry?	In order to reduce the amount of lint in a load of laundry, sort lint producers (like a fuzzy white cotton towel) separately from clothes that might catch lint (such as a pair of black linen pants).
• Do your clothes have excess static electricity?	See comments below under There is static in my clothes after drying.
• Did you overload your dryer?	Divide your larger load into smaller loads.
• Did you place any paper, tissue, or other similar material in the load?	Sometimes a person might forget to take a piece of paper or a tissue out of the pocket of a pair of pants, and this paper, tissue, or similar material can cause excess lint in a load of laundry. Confirm that the pockets of pants, shirts, and other articles of clothing are empty before washing and drying.

**6.Problem:There is static in my clothes after drying**

Question	What to Do
• Did you use fabric softener?	Try using a fabric softener to reduce static electricity.
• Did you over dry the load of laundry?	Over-drying a load of laundry can cause a build up of static electricity. Try using a fabric softener or adjust your settings and use a shorter drying time.
• Are you drying synthetic, permanent press and blends?	These materials can cause static to build up in a load of dried clothes. Try using a fabric softener.

**7.Problem:The drying time is not consistent**

Question	What to Do
• Are you using consistent heat settings and consistent load sizes?	The drying time for a load will vary depending on the heat setting, the type of heat used (electric, natural or LP gas), the size of the load, the type of fabrics, the wetness of the clothes and the condition of the exhaust ducts and lint filer.

**8.Problem:It takes too long for my clothes to dry**

Question	What to Do
• Did you properly sort your loads of laundry?	Separate heavy weight items from light weight items when creating loads.
• Are you drying large loads of heavy fabrics?	Heavy fabrics take longer to dry because they tend to retain more moisture. To help reduce and maintain more consistent drying times for large and heavy fabrics, separate these items into smaller loads of a consistent size.
• Are the dryer controls properly set?	Use the appropriate control settings for the type of load you are drying.
• Is the lint filter clean before each new load of laundry?	Please confirm that the lint filter is clean prior to each new load of laundry.
• Are the exhaust ducts clear and properly configured?	Confirm through review of the appropriate sections of this manual that the exhaust venting ductwork is properly configured. Confirm that the venting is free of obstructions. Confirm that the outside wall dampers are moving freely, that the dampers are not pushed in, and that nothing has been set against the dampers.
• Is the fuse blown, or is the circuit breaker tripped?	Check your home's or laundry room's fuse box/circuit breaker box and replace the fuse or reset the circuit breaker. (IMPORTANT: electric dryers generally use two fuses or breakers.)
• Did you overload your dryer?	Divide your larger load into a number of smaller loads.
• Did you under load your dryer?	If you are only drying a handful of items, add a few extra pieces to help ensure proper tumbling action.

**9.Problem:My clothes are wrinkled**

Question	What to Do
• Are you over drying your laundry?	Over drying a load of laundry can lead to wrinkled clothes. Try a shorter drying time, and remove items while they still retain a slight amount of moisture.
• Are you removing your laundry from the dryer soon after the drying cycle is complete?	Remove your laundry from the dryer after the drying cycle ends and either hang or fold the items.

**10.Problem:My clothes are shrinking**

Question	What to Do
• Are you following the care instructions for your garment?	To avoid shrinkage, please carefully follow the care and use instructions for your garment, because some fabrics will naturally shrink when washed. Other fabrics can be washed but will shrink when dried in a dryer.
• PLM problem	See the Owner's Manual of RLM & PLC modem.

# LG DRYER LIMITED WARRANTY – USA

LG Electronics Inc. will repair or at its option replace, without charge, your product if it proves to be defective in material or workmanship under normal use during the warranty period set forth below, effective from the date of original consumer purchase of the product. This limited warranty is good only to the original purchaser of the product and effective only when used in the United States including Alaska, Hawaii, and U.S. Territories.

<p><b><u>WARRANTY PERIOD:</u></b></p> <p><b>Labor: 1 Year</b> from the Date of Purchase.</p> <p><b>All Parts: 1 Year</b> from the Date of Purchase.</p>	<p><b><u>HOW SERVICE IS HANDLED:</u></b></p> <p>Call 1-800-243-0000 and choose the appropriate prompt. Please have product type (Dryer), model number, serial number, and ZIP code ready.</p> <p>The warranted 1-year of labor covers the cost of In-Home Service on all parts including the Drum Tub and Motor.</p>
---	--

**THIS WARRANTY IS IN LIEU OF ANY OTHER WARRANTIES, EXPRESS OR IMPLIED, INCLUDING WITHOUT LIMITATION, ANY WARRANTY OF MERCHANTABILITY OR FITNESS FOR A PARTICULAR PURPOSE. TO THE EXTENT ANY IMPLIED WARRANTY IS REQUIRED BY LAW, IT IS LIMITED IN DURATION TO THE EXPRESS WARRANTY PERIOD ABOVE. LG WILL NOT BE LIABLE FOR ANY CONSEQUENTIAL, INDIRECT, OR INCIDENTAL DAMAGES OF ANY KIND, INCLUDING LOST REVENUES OR PROFITS, IN CONNECTION WITH THE PRODUCT. SOME STATES DO NOT ALLOW LIMITATION ON HOW LONG AN IMPLIED WARRANTY LASTS OR THE EXCLUSION OF INCIDENTAL OR CONSEQUENTIAL DAMAGES, SO THE ABOVE LIMITATIONS OR EXCLUSIONS MAY NOT APPLY TO YOU.**

**THIS LIMITED WARRANTY DOES NOT APPLY TO:**

1. Service trips to your home to deliver, pick up, and/or install the product, instruct, or replace house fuses or correct wiring, or correction of unauthorized repairs; and
2. Damages or operating problems that result from misuse, abuse, operation outside environmental specifications or contrary to the requirements or precautions in the Operating Guide, accident, vermin, fire, flood, improper installation, acts of God, unauthorized modification or alteration, incorrect electrical current or voltage, or commercial use, or use for other than intended purpose.
3. Therefore, the cost of repair or replacement of such a defective product shall be borne by the consumer.

**CUSTOMER INTER-ACTIVE CENTER NUMBERS:**

<p><b>To Prove Warranty Coverage</b></p>	<p><b>Retain your Sales Receipt to prove date of purchase.</b> A copy of your Sales Receipt must be submitted at the time warranty service is provided.</p>
<p><b>To Obtain Nearest Authorized Service Center or Sales Dealer, or to Obtain Product, Customer, or Service Assistance</b></p>	<p><b>Call 1-800-243-0000</b> (24 hrs a day, 7 days per week) and choose the appropriate prompt from the menu, and have your product type (Dryer), model number, serial number, and ZIP Code; or visit our website at <a href="http://www.lgservice.com">http://www.lgservice.com</a>.</p>



**☎ 1-800-243-0000**

para el Servicio LG (Atención al Cliente) 24 horas al día, 7 días a la semana

# MANUAL DEL PROPIETARIO

## Secadora de Eléctrica y Gas

**DLE7177WM/DLG7188WM**  
**DLE7177NM/DLG7188NM**  
**DLE7177RM/DLG7188RM**

Gracias por comprar una Secadora LG. Por favor lea su manual correctamente, ya que contiene información importante de una instalación segura, Uso y mantenimiento. Guarde el modelo y número de serie y conserve su manual para futuras referencias. Para más información, visite nuestro sitio web <http://us.lge.com>

# CARACTERÍSTICAS DEL PRODUCTO

- 1 DESEMPEÑO EXTRAORDINARIO**  
Sin mencionar su incomparable gran capacidad, puede beneficiarse por su Eficiencia en tiempo, operación silenciosa y su sistema de ahorro de energía
- 2 TINA DE ACERO INOXIDABLE**  
Las tinas de acero inoxidable no se oxidan por naturaleza así que el óxido nunca se presentará en sus prendas
- 3 DISEÑO ARTÍSTICO**  
Atractivo y moderno panel frontal y gran puerta de cristal limpio para ue su secadora tenga el mejor aspecto.
- 4 CUIDADO DIGITAL DE LOS TEJIDOS**  
Calentador con control de la temperatura multinivel para cuidar mejor sus prendas más queridas.
- 5 FACILIDAD DE USO**  
Una amplia selección de funciones sencillas de usar para facilitar la operación de la secadora.
- 6 USO DEL RLM (MONITOR REMOTO DE LA SECADORA)**  
El RLM controla el estado de su lavadora y/o secadora. Puede conectar la unidad de visualización en cualquier toma de su casa. La Unidad de Visualización RLM puede comprarse separadamente para esta secadora.
- 7 TECNOLOGÍA EN SENSORES**  
Este sensor lo hace posible aún en menos de 1Kg. No es necesario tener demasiado peso en la carga, lo cual dará exactitud en la tecnología de los sensores de una manera garantizada.

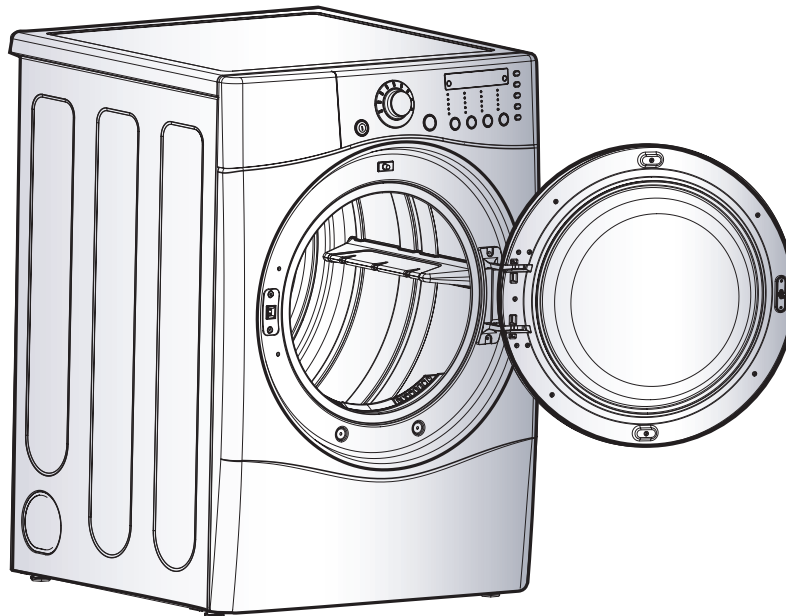
## Qué significa secado por sensor o secado por tiempo?

Su secadora le proporciona la posibilidad de programar acciones de secado por sensor o por tiempo. Secado por sensor: La secadora detectará automáticamente la humedad de la colada y determinará el tiempo de funcionamiento necesario basándose en el nivel de sequedad de la carga y el programa seleccionado. En ocasiones, podrá observar un incremento o disminución repentinos del tiempo de operación. Si esto ocurriera, será debido a que el sensor detecta la humedad de la colada dentro de un período de tiempo determinado. Un cambio repentino en el tiempo de operación no significa un mal funcionamiento.

Secado por tiempo: Significa que puede programar el tiempo de operación manualmente para completar el secado. Alternativamente, puede usar esta función para secar la ropa si las prendas aún están húmedas pese a haber terminado un ciclo de secado. El secado por tiempo es más efectivo cuando tenga prendas pesadas u objetos voluminosos como sábanas de camas tamaño superdoble o ropa de trabajo gruesa.

# CONTENIDO

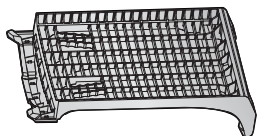
PARTE 1. ESPECIFICACIONES.....	3
PARTE 2. GARANTÍA E INSTRUCCIONES DE SEGURIDAD IMPORTANTES.....	4-6
PARTE 3. PASOS INICIALES PARA LA INSTALACIÓN DE SU SECADORA.....	7-12
PARTE 4. INSTALACIÓN DE ACCESORIOS.....	13-14
PARTE 5. REQUERIMIENTOS ELÉCTRICOS PARA SECADORA ELÉCTRICA.....	15-18
PARTE 6. REQUERIMIENTOS ELÉCTRICOS PARA SECADORAS A GAS.....	19
PARTE 7. REQUERIMIENTOS E INSTRUCCIONES SOBRE EL GAS.....	20
PARTE 8. REQUERIMIENTOS Y MANTENIMIENTO SOBRE EL ESCAPE.....	21-22
PARTE 9. USANDO SU SECADORA.....	23-30
PARTE 10. GUÍA PARA LA SOLUCIÓN DE PROBLEMAS.....	31-33
GARANTÍA LIMITADA DE LA SECADORA LG.....	34



- Nombre : Secadora Eléctrica y de Gas
- Suministro de Energía : Favor de consultar la etiqueta de medición referente a la información detallada
- Tamaño : 27 x 29.9 x 38.7(inch)
- Capacidad de la Secadora : IEC 7.3cu.ft. (22.5 lb)
- Peso : 126 lbs (57.2 kg)

Las especificaciones son sujetas a cambio por el fabricante.

■ ACCESORIOS



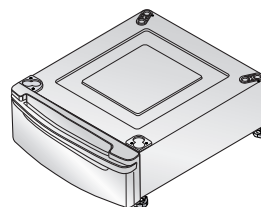
Parrilla de secado (1)

*Vea la página 26 para su uso*



Kit para Apilar (1)  
comprado separadamente

*Vea la página 13 para su uso*



Pedestal (1)  
comprado separadamente

*Vea la página 14 para su uso*



Monitor remoto de la colada  
Se adquiere por separado

**BÚSQUEDA DE ASISTENCIA SOBRE LA GARANTÍA**

Encontrará la garantía de su secadora en la parte final de este manual. El servicio de garantía está disponible contactando con su Centro de Servicio LG más próximo. Si este producto se instala y se opera siguiendo las instrucciones de este manual, LG reparará o recambiará cualquier pieza defectuosa en material o mano de obra a lo largo del período cubierto por la garantía, comenzando desde el día de compra.



**ADVERTENCIA!** Para su seguridad, debe seguir las recomendaciones de este manual. Para reducir el riesgo de incendio o explosión, o choque eléctrico, o para prevenir daños a la propiedad, lesiones personales, o muerte cuando use su artefacto, siga las precauciones básicas, incluyendo las siguientes.

**Restricción de la Garantía :** Si la secadora es utilizada para otro propósito que no sea el uso familiar privado, toda cobertura de la garantía es efectiva por sólo 90 días.

Necesitará el número de modelo y de serie completo al solicitar la garantía de servicio. Es necesaria la prueba de la compra (ticket o recibo).

Utilice el siguiente espacio para anotar el número de modelo y de serie de su nueva secadora LG.

Modelo No. \_\_\_\_\_

No. de Serie \_\_\_\_\_

Fecha de Adquisición \_\_\_\_\_

\* Grape su recibo AQUÍ.

**INSTRUCCIONES DE SEGURIDAD IMPORTANTES**

**⚠️ ADVERTENCIA!**

**Para ayudar a reducir el riesgo de choque eléctrico, incendio, o lesión personal o daño a la propiedad cuando use su secadora, por favor sea precavido y siga las precauciones de seguridad básicas, incluyendo las siguientes:**

- 1) Lea todas las instrucciones antes de usar el artefacto.
- 2) No seque artículos que hayan estado en contacto con gasolina, solventes para lavado en seco, o cualquier otra sustancia inflamable o explosiva, ya que despiden vapores que pueden incendiarse o explotar.
- 3) No permita que los niños jueguen sobre o dentro del artefacto. Es necesario que supervise de cerca a los niños cuando utiliza el artefacto.
- 4) Antes de que el artefacto sea removido del servicio o desechado, quite la puerta del compartimiento de secado.
- 5) No meta la mano en el aparato si el tambor está en movimiento.
- 6) No instale o almacene este artefacto donde esté expuesto a la intemperie.
- 7) No fuerce los controles.
- 8) No repare o reemplace ninguna pieza del artefacto ni intente darle servicio a menos que esté específicamente recomendado en las instrucciones de mantenimiento para el usuario.
- 9) No use calor para secar artículos que contengan hule espuma o materiales de textura similares al hule.
- 10) Limpie la malla para pelusas antes o después de cada carga.
- 11) Mantenga el área alrededor de la abertura de escape y las áreas adyacentes libres de acumulación de pelusa, polvo y sucio.
- 12) El interior del artefacto y el ducto de escape deben ser limpiados periódicamente por personal de servicio calificado.
- 13) No coloque artículos que hayan sido expuestos a aceite de cocina dentro de la secadora. Artículos contaminados con aceite de cocina pueden contribuir a una reacción química causante de incendiar una carga.
- 14) No use suavizantes de telas o productos para eliminar la estática a menos que sea recomendado por el fabricante de estos productos.

**GUARDE ESTAS INSTRUCCIONES**

**INSTRUCCIONES DE CONEXIÓN A TIERRA**

Este artefacto debe estar conectado a tierra. En caso de mal funcionamiento o avería, la conexión a tierra reduce el riesgo de choque eléctrico al proveer una ruta de menor resistencia a la corriente eléctrica. Este artefacto está equipado con un cordón que contiene un conductor equipo-tierra y un enchufe con conexión a tierra. El enchufe debe ser conectado a un tomacorriente adecuado, debidamente instalado y conectado a tierra de acuerdo con todos los códigos locales y ordenanzas.

**ADVERTENCIA-** Una incorrecta conexión del conductor equipo-tierra puede resultar en un riesgo de choque eléctrico.

Verifique con un electricista calificado o un técnico de servicio si tiene alguna duda si el artefacto está debidamente conectado a tierra.

No modifique el enchufe suministrado con el artefacto; si éste no encaja en el tomacorriente, haga que le instalen un tomacorriente adecuado por un electricista calificado.

**! QUE HACER EN CASO DE OLER GAS:**

- No intente encender un fósforo, o cigarrillo, o encender ningún artefacto de gas o eléctrico.
- No toque ningún interruptor eléctrico. No use ningún teléfono en su casa o edificio.
- Evacúe la habitación, edificio o el área de todos los ocupantes.
- Llame inmediatamente a su proveedor de gas desde el teléfono de un vecino. Siga cuidadosamente las instrucciones de su proveedor de gas.
- Si no puede contactar a su proveedor de gas, llame al departamento de bomberos.

**! ADVERTENCIA**

Para reducir el riesgo de incendio o explosión, choque eléctrico, daño a la propiedad, lesiones personales, o muerte cuando use este artefacto, por favor siga todas las instrucciones e información, incluyendo las de este manual y las instrucciones e información suministradas por su proveedor de gas, incluyendo las siguientes:

- No almacene o use gasolina, solventes para lavado en seco, o cualquier otro vapor o líquido inflamable en el área adyacente a este artefacto.
- No seque nada que alguna vez haya tenido contacto con algo inflamable, aún después de lavarlo.
- Ninguna lavadora puede remover completamente el aceite. No seque ningún artículo que haya tenido contacto con cualquier clase de aceite, incluyendo aceite de cocinar.
- Artículos que contienen espuma, hule, materiales similares al hule, plástico, o materiales similares deben secarse en el tendedero o utilizando el ciclo de aire.
- La falta de cumplimiento de estas instrucciones puede resultar en incendio, muerte o lesiones serias.
- Un técnico o una compañía calificada debe efectuar la instalación y proveer el servicio a este artefacto.

**! ADVERTENCIA!**

- Mantenga los materiales y vapores inflamables, como la gasolina, lejos de la secadora.
- Coloque la secadora al menos 18 pulgadas sobre el piso para instalación en el garaje.
- Si no cumple con estas instrucciones puede resultar en muerte, explosión o incendio.

**Agua libre para Beber de California y Acto de Aplicación Tóxica**

Este decreto exige al gobernador de California publicar una lista de sustancias conocidas por el estado por causar cáncer, defectos congénitos o cualquier otro daño reproductivo y exige a los negocios a advertir a sus consumidores sobre la posible exposición a dichas sustancias.

Aparatos a gas pueden causar una exposición menor a cuatro de estas sustancias, a saber benceno, monóxido de carbono, formaldehído y hollín, causadas principalmente por la combustión incompleta de gas natural o combustibles de petróleo licuado.

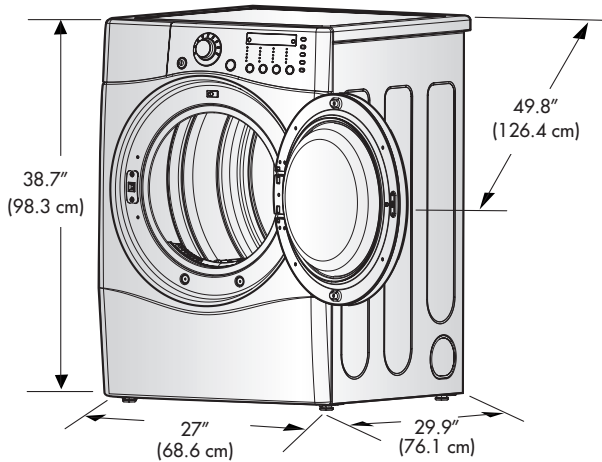
Secadoras debidamente ajustadas minimizarán la combustión. La exposición a estas sustancias puede ser minimizada más allá, ventilando adecuadamente la secadora a la intemperie.

Las siguientes instrucciones le servirán de guía a través de los pasos iniciales para la preparación de su secadora para el uso. Por favor note que cada sección de este manual proporciona información importante sobre la preparación y uso de su secadora, y es muy importante que lea este manual completamente antes de proceder con cualquiera instalación o con su uso. Instrucciones detalladas adicionales concernientes a las conexiones eléctricas, conexiones del gas, y los requerimientos sobre el escape son suministrados en otras partes de este manual.

**PASO 1 Colocación de la Secadora**

Elija un lugar de suelo sólido en el que poder ubicar su secadora. Colóquela al menos 18 pulgadas sobre el suelo si la instala en un garaje. Una vez la secadora ha sido instalada en el lugar deseado, asegúrese de que cuenta con las holguras necesarias que puede ver en la siguiente ilustración y en las secciones de los requisitos de salida y de mantenimiento.

Si está instalando su secadora en una casa prefabricada o móvil, favor refiérase al PASO 9 abajo para instrucciones adicionales.



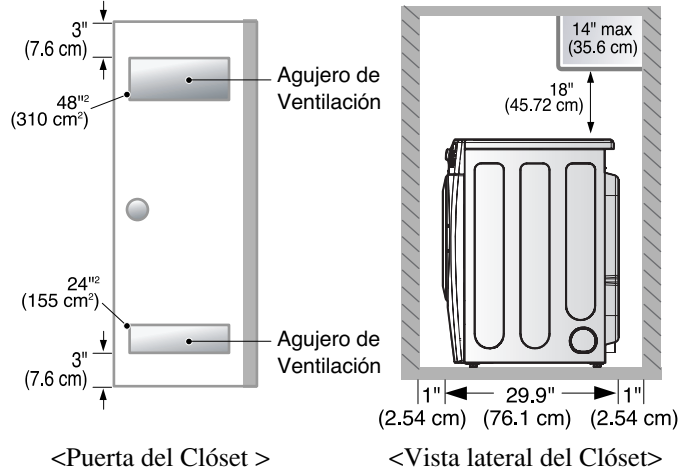
\* La mayoría de las instalaciones requieren un mínimo de 5 1/2 pulgadas de espacio libre (14 cm) detrás de la secadora para el conducto de escape con el codo.

**Nota**

Debería asegurar las patas niveladoras. Las cuatro patas deben quedar sentadas con total seguridad en un suelo sólido y nivelado. Si la secadora no está nivelada, la colada podría no dar vueltas debidamente y el sensor no detectará la humedad correcta. Al ajustar el nivel, tenga cuidado de no lesionarse seriamente los dedos de la mano ni del pie.

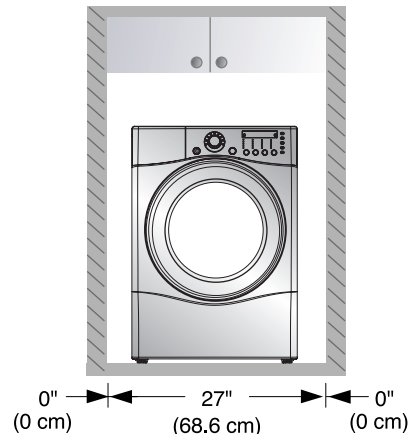
**Son necesarias ciertas holguras mínimas de separación arriba, por debajo y a los lados de la unidad, como puede apreciar en las ilustraciones siguientes.** Las holguras mínimas necesarias son las que marcan las ilustraciones de abajo. Recuerde siempre las instrucciones siguientes al instalar en un recinto cerrado o hueco.

- Considere dejar más holgura para la instalación y las tareas de servicio.
- La existencia de protuberancias en la pared, puerta o el suelo puede necesitar de holguras mayores.
- Se recomienda un pulgada adicional de holgura para reducir al mínimo la transferencia de ruido.
- Considere el espacio necesario para los electrodomésticos que puedan acompañar a éste.
- En las instalaciones en recintos cerrados, la ilustración de abajo muestra las aberturas de ventilación mínimas necesarias para la puerta. Es aceptable también una puerta con rendijas con aberturas para lograr una ventilación comparable.



<Puerta del Clóset >

<Vista lateral del Clóset>



<Vista Frontal del Clóset>

Una vez en posición ajuste las patas niveladoras de la secadora hasta que esté nivelada de izquierda a derecha y del frente hacia atrás. Las patas niveladoras deben permanecer firmes en el piso y la secadora no debe mecerse. La máxima inclinación de la secadora de izquierda a derecha o del frente hacia atrás no debe ser mayor de 2.5 cm (1 pulgada). Si la secadora no está nivelada, y si la inclinación excede los 2.5 cm (1 pulgada), la carga puede que no gire adecuadamente y los sensores internos pueden no funcionar correctamente. Nota: Otras secciones de este manual también proveen información importante sobre la ubicación y los espacios libres para su secadora. Por favor lea este manual completamente antes de proceder con cualquier instalación.

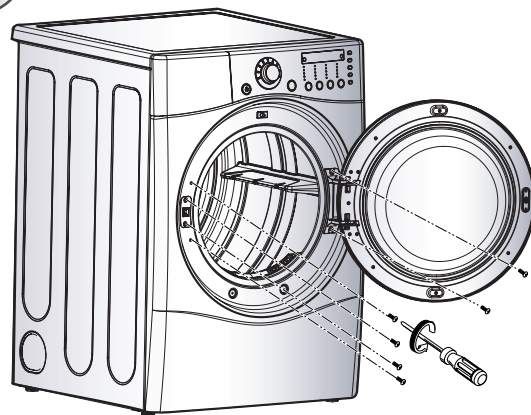
**PASO 2 Procedimiento para Invertir la Puerta**

La puerta de su secadora puede ser instalada de manera que abra hacia la izquierda o hacia la derecha. Siga estos procedimientos para invertir la dirección en que su puerta abre:

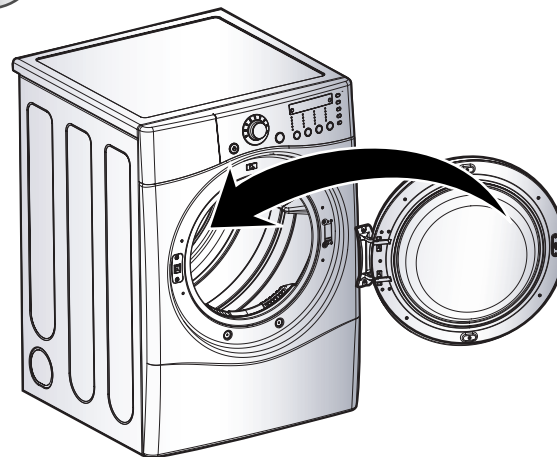
**Nota**

**La puerta y la bisagra deberían alienarse en el centro al cerrarse. De lo contrario la puerta se cerrará y abrirá mal.**

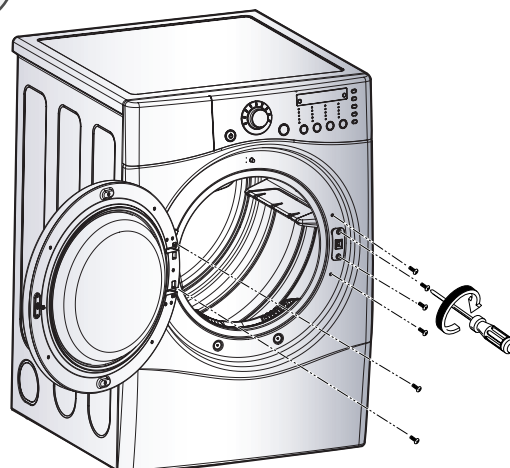
1



2



3



**PASO 3 Conexión del Sistema de Escape y Ventilación**

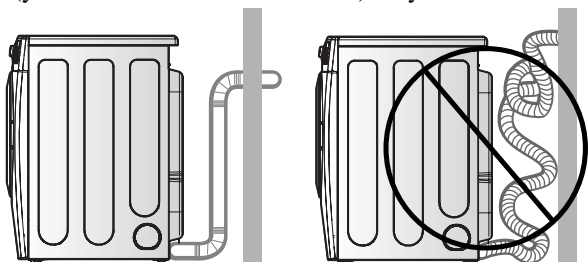
**⚠ ADVERTENCIA!**

- Utilice material para ventilación de metal pesado
- No utilice conductos de plástico o aluminio delgado.
- Si no cumple con estas instrucciones puede resultar en muerte o incendio.

**Nota**

**El extremo de la ventilación mirará hacia el lado externo y el mal roscado o una instalación inestable de la ventilación provocarán niveles de secado no deseados.**

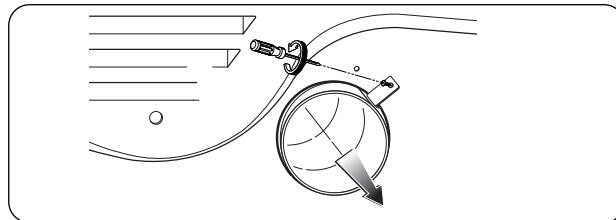
Además de las siguientes advertencias, por favor refiérase a la sección del manual sobre Requerimientos y Mantenimiento del Escape. **IMPORTANTE:** Para reducir el riesgo de incendio, combustión y acumulación de gas, la secadora debe estar ventilada hacia la intemperie. Por favor siga las siguientes instrucciones (y todas las otras en este manual) muy cuidadosamente.



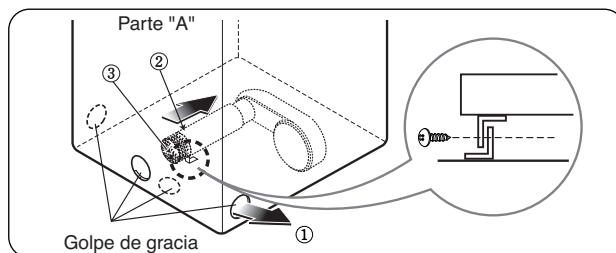
- No utilice conductos de plástico o aluminio.
- Utilice ducto rígido o semi-rígidos de metal de 4" (10.2 cm) de diámetro (nota: Los materiales para ventilación no son suministrados con la secadora, y usted debe obtenerlos por separado para una adecuada instalación)
- Coloque la secadora en tal posición que el ducto corra de la menor forma posible.
- **Limpie los ductos viejos antes de instalar esta secadora.**
- El extremo macho de cada sección del ducto de escape debe apuntar contrario a la secadora.
- Use las menores conyucturas posibles.
- Utilice cinta selladora de ductos en todas las uniones de ductos.
- Aísle la instalación de escape que pase a través de áreas sin calentamiento con el fin de reducir la condensación y la acumulación de pelusas en las paredes de la tubería; y
- **POR FAVOR TENGA CUIDADO YA QUE DE NO INSTALAR CORRECTAMENTE EL SISTEMA DE ESCAPE ANULARÁ LA GARANTÍA DE LA SECADORA**

**■ DIRECCIONES ALTERNAS PARA EL ESCAPE**

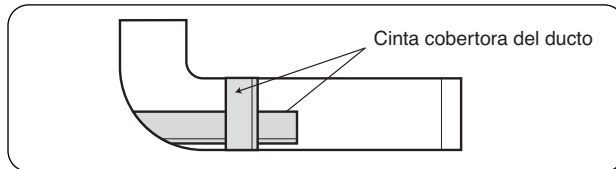
1. Quite el tornillo y el ducto de escape.



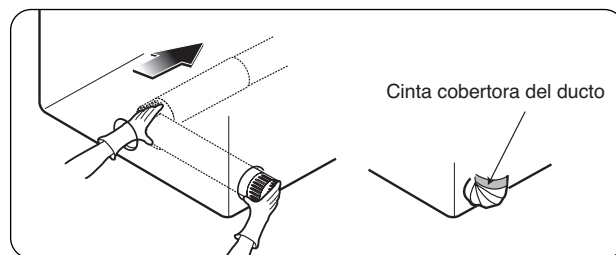
2-1. Separe y extraiga la seguridad de la parte inferior, izquierda o derecha según desee. (La ventilación del lado derecho no está disponible en la secadora a gas). ①, ②, ③ es el orden del trabajo.



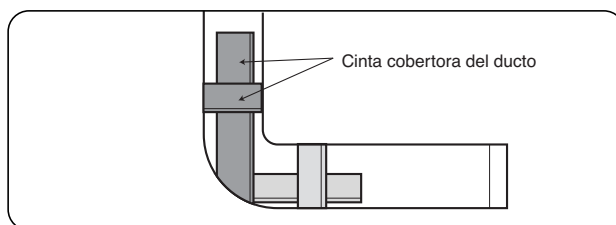
2-2. Reconecte el otro conducto (11 pulgadas o 28 cm) al alojamiento del soplador y acople el conducto a la base. (El conducto es una pieza SVC).



3-1. Arme previamente un codo de 4 con un ducto de 4". Envuelva la cinta selladora para ducto alrededor de la unión.

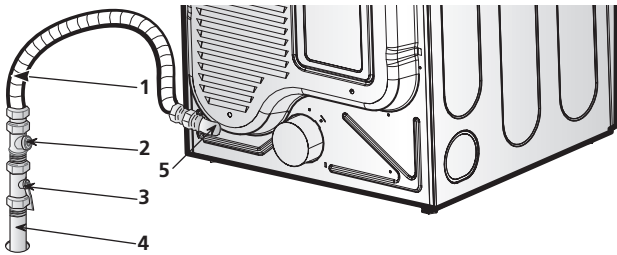


3-2. Inserte el montaje del ducto, el codo primero a través de la abertura lateral y conecte el codo al ducto interno de la secadora.



**PASO 4 Conexión del Suministro de Gas**

(Secadora a Gas solamente). Además de lo siguiente, por favor refiérase a la sección del manual sobre Requerimientos e Instrucciones del Gas.



1. Conector flexible nuevo de acero inoxidable. Utilice este tipo de conector sólo si es permitido por los códigos locales. Use un conector de diseño AGA Certificado.
2. Conector de tubo NPT de 1/8" (para verificar la presión de entrada de gas)
3. Válvula de Cierre de Equipo instalada a una distancia de 6' (1.8 m) de la secadora.
4. Tubería de hierro. Más corta de 20' (6.1 m) Use tubería de 3/8". Más larga de 20' (6.1 m) - Use tubería de 1/2".
5. Conexión de Gas N.P.T de 3/8" .

**Nota**

**Asegúrese de que la boquilla del zumbador es la adecuada para el tipo de gas que utiliza.**

**Por ejemplo, usar LPG con una boquilla LNG ocasionaría la muerte del usuario, el incendio o una explosión. Del mismo modo, LNG con una boquilla LPG no provocarán la ignición del quemador.**

**Si fuese necesario, la conversión de la boquilla debería realizarla un técnico de servicio cualificado y marcar o poner la etiqueta del tipo actual de boquilla en la secadora.**

1. Confirme que el tipo de gas disponible en su cuarto de lavado sea el adecuado para su secadora. La secadora está preparada para Gas Natural con una conexión de gas NPT de 3/8".
2. Remueva la tapa protectora de la conexión de gas detrás de la secadora. Asegúrese de no dañar la rosca de la tubería de la conexión de gas cuando remueva la tapa protectora.
3. Conecte la secadora al suministro de gas en su cuarto de lavado utilizando un conector nuevo flexible de acero inoxidable (como se mencionó antes, sólo use un conector nuevo flexible de acero inoxidable si es permitido por códigos locales)
4. Asegúrese de apretar todas las conexiones entre la secadora y el suministro de gas en su cuarto de lavado. Abra el suministro de gas en su cuarto de lavado y verifique todas las conexiones de la tubería (internas y externas) para detectar fugas de gas utilizando un detector líquido de fugas no corrosivo.
5. Para una conexión a gas LP (Petróleo Licuado), refiérase a la sección de este manual sobre Requerimientos e Instrucciones del Gas.

**PASO 5 Electrical Plug Connections  
Conección Elèctrica**

A continuación encontrará advertencias e instrucciones concernientes a la confección de la conexión eléctrica para secadoras eléctricas. Información detallada adicional concerniente a la conexión eléctrica es suministrada en la sección del manual Requerimientos Eléctricos para la Secadora Eléctrica y es importante que usted lea esta sección completamente, así como el resto del manual, antes de tomar algún paso para instalar o usar esta secadora.

1. Use solamente un cordón de alimentación nuevo listado No. 10 por U.L.(alambre de cobre únicamente) de tres conductores clasificado para 240 Voltios (mínimo) 30 Amperios y que está indicado de uso aceptable para una secadora de ropa.
2. Un cordón de 4 alambres es requerido para instalaciones y uso en casas prefabricadas (móvil) y donde los códigos locales no permitan conexión a tierra de este aparato a través del neutral.
3. Electrical Plug Connections  
Conección Elèctrica
4. Para instrucciones adicionales de como conectar la secadora a una fuente eléctrica, favor refiérase a la sección de este manual sobre Requerimientos Eléctricos para Secadora Eléctrica.

**Nota**

**Requisitos de admisión al quemador**

**Si su casa está situada en alturas hasta los 10.000 pies. Ajustar la admisión al quemador no es necesario en estas elevaciones porque A.G.A. certifica que esta secadora no tiene problemas con los rangos BTU a estas alturas. Si su casa está situada a alturas superiores a los 10.000 pies, necesitará ajustar un cuatro por cien (4%) de reducción en el quemador, que es el rango indicado por el BTU en la placa de modelo/rango de serie.**

**⚠ ADVERTENCIA!**

- Use un cordón de alimentación nuevo aprobado por U.L. de 30 amp.o alambre de cobre sólido calibre 10.
- Use un liberador de tensión aprobado por UL .
- Desconecte la corriente antes de hacer las conexiones eléctricas.
- Conecte el alambre neutral (alambre blanco o central) al terminal central.
- El alambre a tierra alambre verde o descubierto debe conectarse al conector a tierra verde.
- Asegúrese de apretar todas las conexiones eléctricas.
- Vea las instrucciones de instalación para unas instrucciones completas.
- De no seguir estas advertencias puede resultar en incendio o choque eléctrico.

**PASO 6 Preparación de la Secadora**

Antes de usar por primera vez esta secadora, utilice un producto limpiador para todo propósito, o una solución de detergente y agua, con un paño húmedo para remover de la parte interior del tambor de la secadora /compartimiento de secado cualquier polvo o sucio que se haya podido acumular dentro de la secadora. Enchufe su secadora después de haber revisado las siguientes partes en los Requerimientos Eléctricos de su secadora.

**PASO 7 Confirmación de la Operación de la Fuente de Calor.**

**Confirmación de la Fuente de Calor en Secadoras a Gas**

Cierre la puerta al tambor / compartimiento de secado de la secadora y después de haber completado todos los pasos de este manual para la instalación correcta de esta secadora, encienda la secadora en temperatura caliente, como mejor se describe en las instrucciones de operación provistas con la secadora. Después que la secadora se enciende, el encendedor resplandecerá en rojo y el quemador principal encenderá.

Advertencia: Si no todo el aire es purgado fuera de la línea de gas, el encendedor podría apagarse antes de que el gas y el quemador principal se hayan encendido. Si esto sucede, el encendedor intentará encender el gas después de aproximadamente dos minutos.

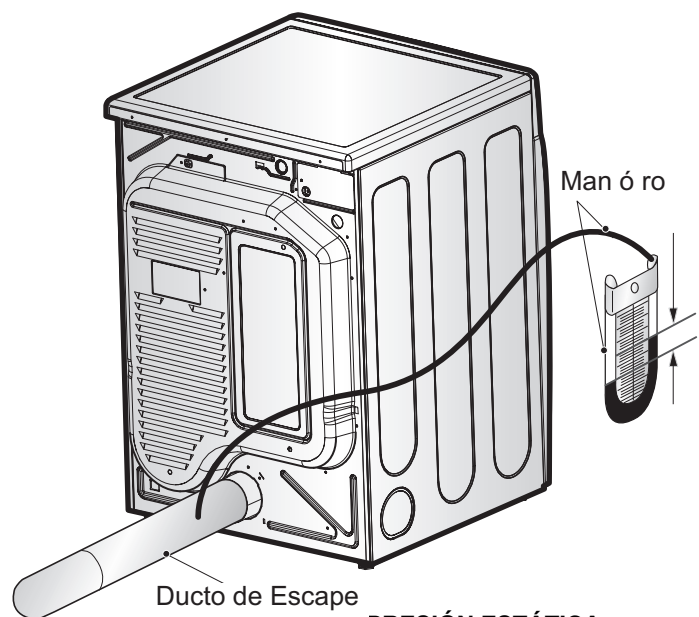
**Confirmación de la Fuente de Calor en Secadoras Eléctricas**

Cierre la puerta al tambor / Compartimiento de secado de la secadora y después de haber completado todos los pasos en este manual para una instalación correcta de esta secadora, encienda la secadora en temperatura caliente, como mejor se describe en las instrucciones de operación provistas con la secadora. El aire de escape o el tubo de escape deben calentarse después que la secadora haya operado por tres minutos.

**PASO 8 Flujo de Aire**

La efectiva operación de la secadora requiere de un flujo de aire adecuado. El flujo de aire adecuado puede ser medido evaluando la presión estática. La presión estática en el ducto de escape puede ser medida con un manómetro, colocado en el ducto de escape aproximadamente a 2 pies (60.9 cm) de la secadora. La presión estática en el ducto de escape no debe exceder 0.6 pulgadas (1.5 cm). La secadora debe ser verificada cuando está operando sin carga.

Medición de la Presión Estática.



**PRESIÓN ESTÁTICA MÁXIMA EN COLUMNA DE AGUA**  
0.6 pulgadas (1.5 cm)

**PASO 9 Instrucciones Adicionales para la Instalación de su Secadora en una Casa Prefabricada o Móvil.**

Las siguientes instrucciones se aplican a instalaciones de la secadora en casas prefabricadas o móvil. La instalación en una casa prefabricada o móvil debe cumplir con los estándares de Seguridad y Construcción de Casas Prefabricadas, Título 24 CFR, Parte 32-80 o el Estándar CAN/CSA0Z240 MH y los códigos y ordenanzas locales. Si no está seguro de que la instalación cumplirá con estos estándares, por favor contacte a un profesional de mantenimiento e instalación para que le ayude.

Las siguientes instrucciones se aplican a cualquier instalación de la secadora en una casa prefabricada o móvil

- 1) Las secadoras a gas deben estar fijas al piso permanentemente.
- 2) La conexión eléctrica para una secadora eléctrica debe ser de conexión de 4 alambres. Información adicional detallada concerniente a la conexión eléctrica es suministrada en la sección del manual Requerimientos Eléctricos para la Secadora Eléctrica.
- 3) Para reducir el riesgo de combustión e incendio, la secadora debe estar ventilada hacia la intemperie.

- 4) Las secadoras eléctricas pueden ser ventiladas hacia el exterior usando el panel trasero, izquierdo, derecho o inferior
- 5) Las secadoras a gas pueden ser ventiladas hacia el exterior usando el panel trasero, izquierdo o inferior. Las secadoras a gas no pueden ser ventiladas al exterior usando el panel del lado derecho debido a la cubierta del quemador.
- 6) El ducto de escape de la secadora debe estar fijo a la estructura de la casa prefabricada o móvil, y el ducto de escape debe estar hecho de un material que resista fuego y combustión, y es recomendable que utilice una tubería de metal flexible o rígido.
- 7) NO conecte el ducto de escape con ningún otro ducto, ducto de ventilación, chimenea u otro ducto de escape.
- 8) Asegúrese que la secadora tenga un buen acceso al aire fresco del exterior para una operación adecuada. La abertura para el aire fresco del exterior debe ser de por lo menos 25 pulgadas (163 cm).
- 9) Es importante que el espacio libre del ducto de cualquier construcción combustible sea de por lo menos 2 pulgadas (5 cm), y cuando ventila la secadora hacia la intemperie, la secadora puede ser instalada con un espacio libre de 1 pulgada a los lados y en la parte posterior de la secadora.
- 10) Favor notar que los materiales para la ventilación no son provistos con la secadora. Usted debe obtener los materiales para la ventilación necesarios para una adecuada instalación.

**⚠ ADVERTENCIA!**

NO conecte los ductos de escape con tornillos de metal o sujetadores que se extiendan dentro del ducto.

**⚠ ADVERTENCIA!**

NO ventile el ducto de escape hacia abajo de la casa prefabricada o móvil.

**Instrucciones de Instalación para montar el Kit**

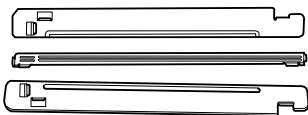
Para asegurar una instalación segura, por favor observe las instrucciones siguientes.

**⚠ ADVERTENCIA!**

Incorrect Installation can cause serious accidents. Una instalación incorrecta puede causar accidentes serios.

El peso de la secadora y la altura de la instalación hacen que montar el kit sea peligroso para una sola persona.

Este procedimiento debe realizarse por 2 o más personas con experiencia en este tipo de servicios.



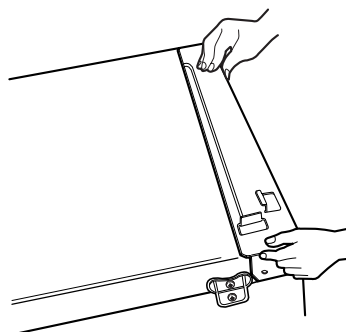
Kit para Apilar

**1** Coloque la lavadora firmemente en una superficie estable y sólida como las instrucciones del Manual de Usuario indican.

**2** Quite el papel protector del kit en el soporte lateral.



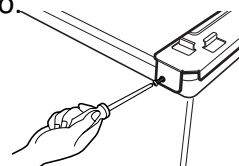
**3** Encaje el soporte lateral del kit en el lado de la parte superior de la plataforma anexándole la cinta doble cara en la plataforma como muestra el dibujo.



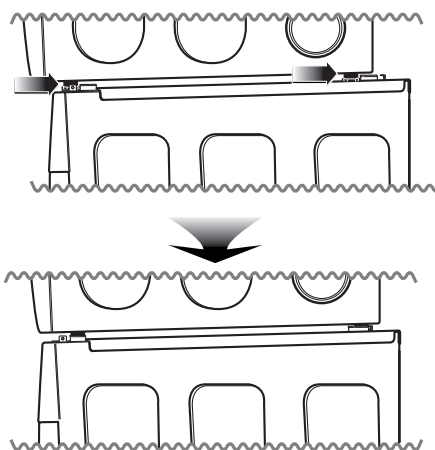
**Nota**

Si hay objetos extraños en la superficie de la placa superior, será difícil aplicar dobles burletes.

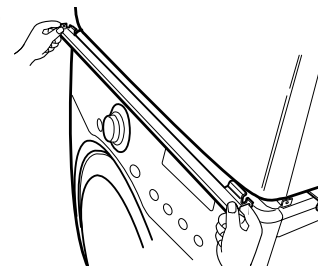
**4** Asegure el kit en el soporte lateral a la lavadora con un tornillo en la parte trasera del soporte. Repita los pasos 2,3,4 para el otro lado.



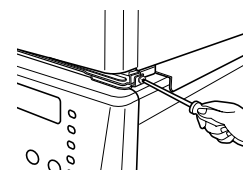
**5** Coloque la secadora en la parte superior de la lavadora asegurando las patas como se muestra en el dibujo. Evite daños en los dedos- tenga cuidado en que no se queden atrapados sus dedos entre la lavadora y la secadora. Deslice lentamente la secadora hasta el final del kit.



**6** Inserte la parte frontal del kit. Empuje la parte frontal hasta el final de los soportes laterales.



**7** Atornille los lados de la parte frontal del kit.



- No use el kit si existe secado de gas en condiciones inestables como una casa móvil.

Instalación de la secadora (Cinta de tipo doble-cara)

**1** Quite el pedestal, instalación del disco duro e instrucciones del cartón del envío.

**2** Coloque la secadora encima del pedestal.  
**NOTA :** Debido al peso de la secadora, pueden necesitarse dos o más personas.

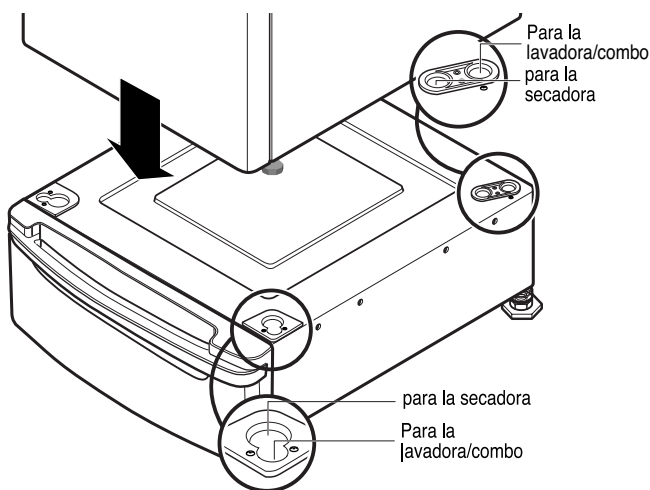
**NOTA :** Si la secadora fuera instalada previamente, desinstalela como sigue:

**A. Desinstalando la secadora eléctrica:**

- 1) Desenchufe el cordón de suministro de energía.
- 2) Jale la secadora fuera de la pared lo suficiente para aflojar la abrazadera del conducto de ventilación. Suelte la abrazadera y quite cuidadosamente el extractor del conducto de ventilación del enchufe del extractor de la secadora.

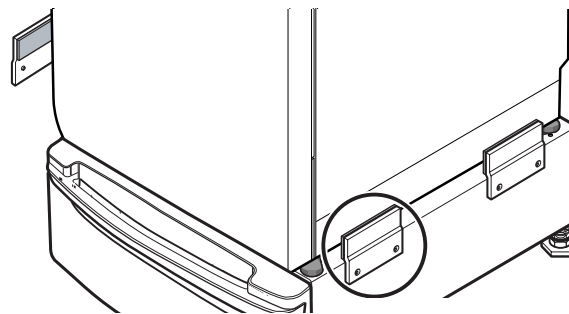
**B. Desinstalación de una secadora a gas:**

1. Cierre el gas
2. Desenchufe el cable de alimentación.
3. Desconecte la línea de gas de la secadora.
4. Deje a un lado y afloje la brida de ventilación. Desconecte la ventilación.

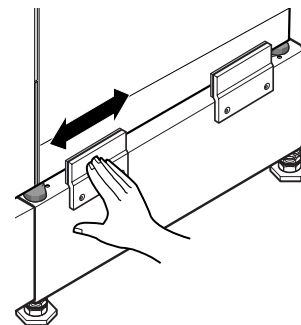


**3** Quitar el papel del anaquel.  

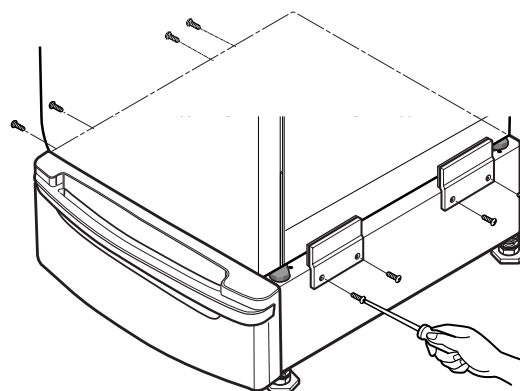

**4** Atar la cinta de doble-cara del anaquel al secador como se muestra para que la inclinación de las partes de los anaqueles se alinien con el borde y puedan atarse al pedestal con los tornillos.  
**NOTA :** Ate la parte más baja primero.



**5** Asegúrese de ajustar las partes adhesivas de los anaqueles firmemente al aparato.



**6** Instale los ocho(8) tornillos (proporcionados) para atar los anaqueles al pedestal.



**7** Mover la secadora al lugar deseado.  
**NOTA :** El aparato y el pedestal ensamblado deben ponerse sobre suelo sólido y nivelado para un funcionamiento apropiado. Ajuste las patas del aparato y el pedestal dando vueltas con la llave inglesa. Entonces, ajuste el seguro de la cerradura hacia el pedestal mientras sostiene la pata del pedestal usando la llave inglesa.

Las siguientes son instrucciones adicionales sobre las conexiones y requerimientos eléctricos para las secadoras eléctricas.

**⚠ Advertencia Importante:** Para ayudar a prevenir incendios, choque eléctrico, lesiones serias o muerte, el cableado y la conexión a tierra deben estar de acuerdo con la edición más reciente del código Eléctrico Nacional, ANSI/NFPA 70 y todas las regulaciones locales aplicables. Por favor contacte a un electricista calificado para verificar el cableado y fusibles de su casa y para asegurar que tiene la energía eléctrica adecuada para el funcionamiento de la secadora.

120V/ 240V, 60 Hertz, Instalación de 3-Alambres

**Instrucciones para la Conexión a Tierra de su Secadora Eléctrica:**

- a) Por favor note que el diagrama de cableado está localizado dentro de la cubierta del control de la secadora.
- b) Esta secadora debe ser conectada a un metal con conexión a tierra, sistema de cableado permanente, o un conductor equipo-tierra debe correr con los conductores de circuito y estar conectado al terminal equipo-tierra o línea principal de la secadora.
- c) La secadora tiene su propia caja terminal la cual debe estar conectada a una línea separada, 60 Hertz, circuito de fase sencilla, circuito AC (corriente alterna), con fusible de 30 Amperios (el circuito debe tener fusibles en ambos lados de la línea). **EL SERVICIO ELÉCTRICO PARA LA SECADORA DEBE SER DEL MÁXIMO RANGO DE VOLTAJE DESCRITO EN LA PLACA. NO CONECTE LA SECADORA A UN CIRCUITO DE 110, 115, Ó 120 VOLTIOS.** Hay elementos calefactores disponibles para secadoras que se conectarán a servicios eléctricos de diferente voltaje que los que se listan en la placa, tal como de 208 voltios.
- d) Si la distancia entre la caja de circuito y la secadora es de 15 pies (4.50 m) o menos, use un cable No. 10 A.W.G. (de cobre únicamente) listado por U.L. (Underwriters Laboratories), o como lo requieran los códigos locales. Si es de más de 15 pies (4.50 m), use un cable No. 8 A.W.G. (de cobre únicamente) listado por U.L. (Underwriters Laboratories) o como lo requieran los códigos locales. Deje suficiente holgura en el cableado de manera que la secadora pueda ser movida de su posición cuando sea necesario.

- e) La conexión del cordón de alimentación (cable flexible) entre el tomacorriente y la caja terminal de la secadora **NO ES** suministrada con la secadora. El tipo del cable flexible y el calibre del alambre deben estar conforme con los códigos locales y con las instrucciones de las páginas siguientes.
- f) El método de cableado de la secadora es opcional y sujeto a los requerimientos del código local. Refiérase a los ejemplos en la próxima página.
- g) Usted debe seleccionar el método para cablear su secadora de acuerdo a los requerimientos de los códigos locales y ordenanzas. Métodos de ejemplo están incluidos en las siguientes páginas.

**⚠ ADVERTENCIA!**

Etiquete todos los cables antes de desconectarlos para darle mantenimiento a la secadora, ya que errores en el cableado pueden causar lesiones serias a usted y dañar su secadora.

Revise las siguientes opciones para determinar la conexión eléctrica adecuada para su casa:



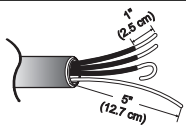
**Tomacorriente de 4-alambres (Tipo NEMA 14-30R).**

Utilice las instrucciones en esta sección si su casa tiene un tomacorriente de 4-alambres (Tipo NEMA 14-30R) y si usará un cordón de alimentación para secadora listado por UL, de 120/240 voltios mínimo y de 30 amp.



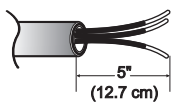
**Tomacorriente de 3-alambres (Tipo NEMA 10-30R)**

Utilice las instrucciones en esta sección si su casa tiene un tomacorriente de 3-alambres (Tipo NEMA 10-30R) y si usará un cordón de alimentación para secadora listado por UL, de 120/240 voltios mínimo y de 30 amp.



**4-cables directos**

Si este tipo está disponible en su casa, lo conectará a una caja de corto circuito o una pipa desconectada



**3-cables directos**

Si este tipo está disponible en su casa, lo conectará a una caja de corto circuito o una pipa desconectada

**Nota**

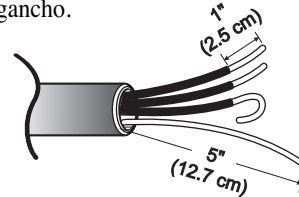
- **Atornille el cable de la alimentación al bloque terminal. El cable de color debería conectarse a los tornillos del mismo color. El color del cable indicada en el manual está conectado al tornillo del mismo color del bloque. De lo contrario, se aplicará una corriente excesiva que ocasionará daños al producto y un fallo en la calefacción.**

**Conexión de 4-cables: Cableado directo**

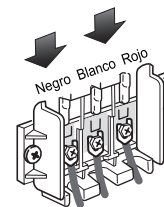
**Importante :** Contacto por conductor neutro esta prohibido por(1) nuevas instalaciones de branch- circuito (2) las casas de mobiles (3) vehiculo recreacional y (4) areas donde los codigos locales prohíbe contactar por el conductor neutro.

Prepare un mínimo de 5 ps (1.52 m) de longitud para poder reemplazar la secadora.

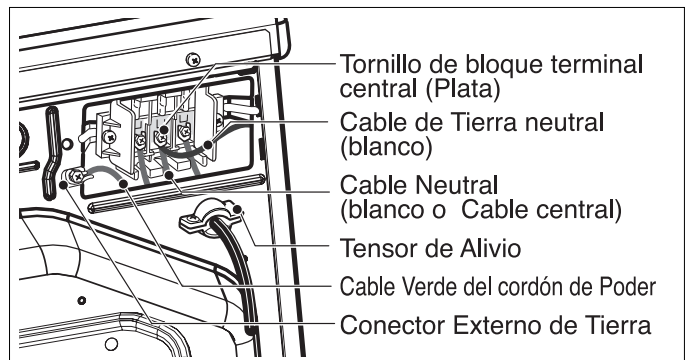
Primero, despegue 5 pulg (12.7 cm) de la cubierta del cable desde el final. Descubra 5 pulgadas del cable de tierra. Después de cortar 1 1/2 pul (3.8cm) de los otros 3 cables, aisle lo despegado. atrás 1pul (2.5cm). haga los finales de los cables en forma de gancho.



Luego, ponga el final de esas puntas debajo del tornillo de la terminal (la parte de la punta con forma de gancho mostrandose derecho) y una el cable con el tornillo fuertemente.



1. Conecte un cable neutral (blanco) al cordón de poder para centrar la terminal del tornillo.
2. Conecte un cable rojo y otro Negro en las terminales izquierdas y derechas de los tornillos.
3. Conecte el cable de tierra(verde) del cordón de poder al tornillo de tierra externo y mueva el cable de tierra neutral fuera del aparato y conéctelo al tornillo central.
4. Asegúrese que el tornillo de alivio de tensión este apretado. Asegure que todo el bloque de tuercas esten bien apretados, y el cable eléctrico de poder este en la posición correcta.

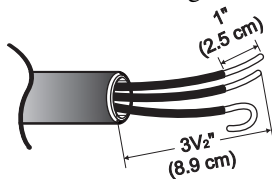


**Conexión de 3-cables: Cable Directo**

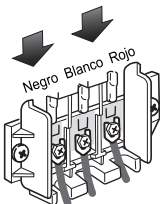
**Importante :** Contacto por conductor neutro esta prohibido por(1) nuevas instalaciones de branch- circuito (2) las casas de mobiles (3) vehiculo recreacional y (4) areas donde los codigos locales prohíbe contactar por el conductor neutro.

Prepare un mínimo de 5 ps (1.52 m) de longitud para poder reemplazar la secadora.

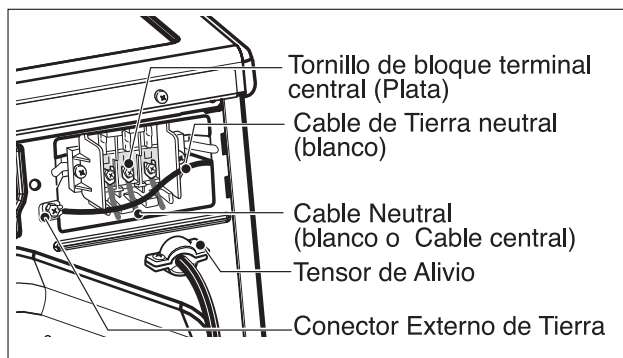
Primero, despegue 5 pulg (12.7 cm) de la cubierta del cable desde el final. Descubra 5 pulgadas del cable de tierra. Después de cortar 11/2 pul (3.8cm) de los otros 3 cables, aisle lo despegado. atrás 1pul (2.5cm). haga los finales de los cables en forma de gancho.



Luego, ponga el final de esas puntas debajo del tornillo de la terminal (la parte de la punta con forma de gancho mostrandose derecho) y una el cable con el tornillo fuertemente.

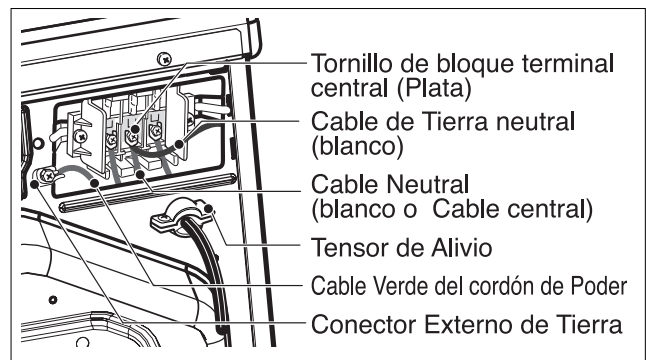
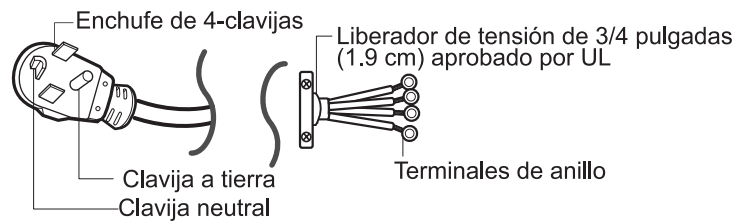
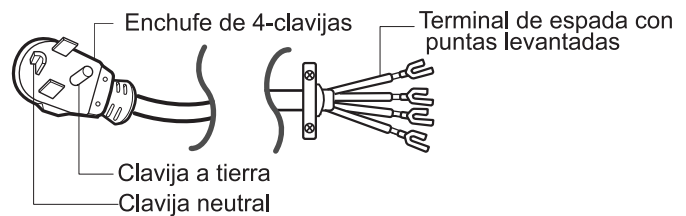
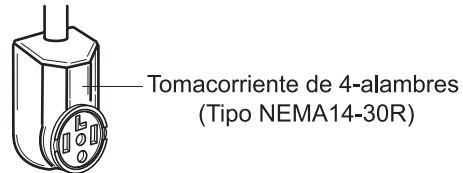


1. Conecte un cable neutro (blanco) al cordón de poder para centrar la terminal del tornillo.
2. Conecte un cable rojo y otro Negro en las terminales izquierdas y derechas de los tornillos.
3. Asegúrese que el tornillo de alivio de tensión este apretado. Asegure que todo el bloque de tuercas estén bien apretados, y el cable eléctrico de poder este en la posición correcta.



**Opción 1 Conexión de 4-alambres con un Cordón de Alimentación.**

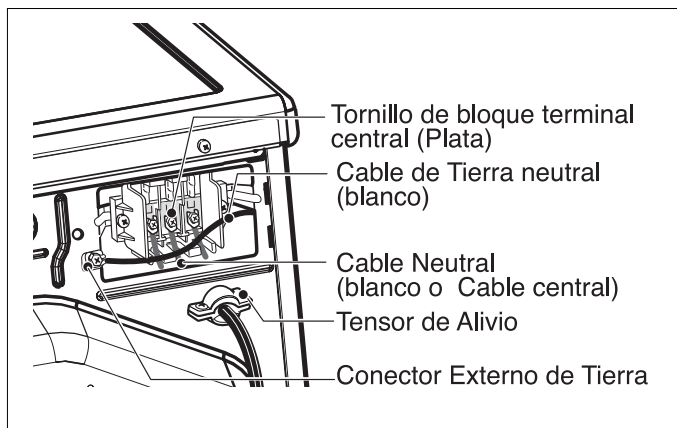
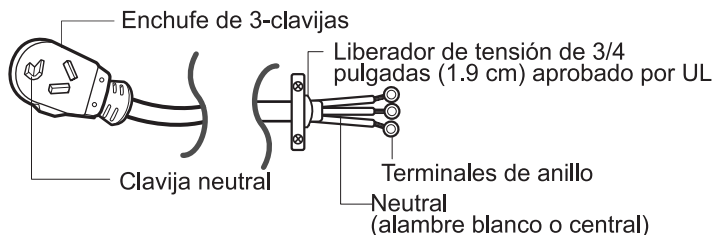
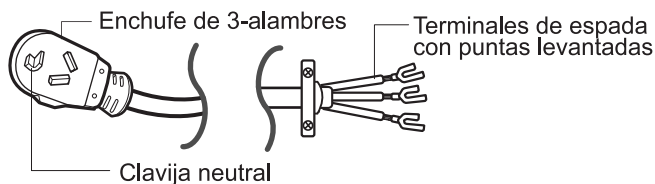
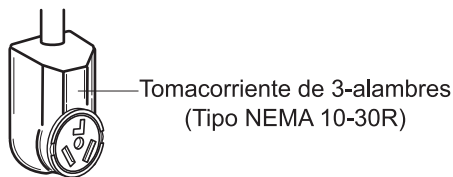
- Si los códigos y ordenanzas locales no permiten el uso de una conexión de 3 alambres, o está instalando la secadora en una casa móvil, debe usar una conexión de 4-alambres.



1. Conecte un cable neutro (blanco) al cordón de poder para centrar la terminal del tornillo.
2. Conecte un cable rojo y otro Negro en las terminales izquierdas y derechas de los tornillos.
3. Conecte el cable de tierra(verde) del cordón de poder al tornillo de tierra externo y mueva el cable de tierra neutral fuera del aparato y conéctelo al tornillo central.
4. Asegúrese que el tornillo de alivio de tensión este apretado. Asegure que todo el bloque de tuercas estén bien apretados, y el cable eléctrico de poder este en la posición correcta.

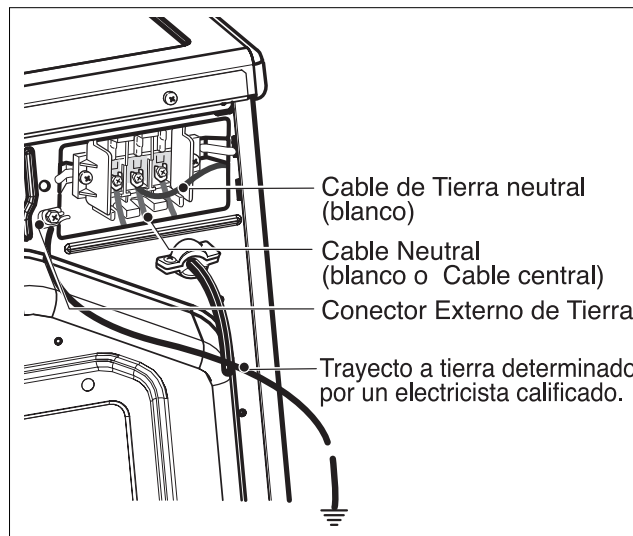
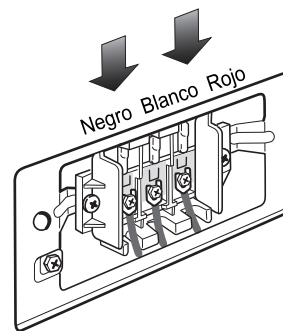
**Opción 2 Conexión de 3-alambres con un Cordón de Alimentación.**

Si los códigos y ordenanzas locales permiten la conexión de un conductor estructura-tierra al alambre neutral, utilice estas instrucciones. Si los códigos y ordenanzas locales no permiten la conexión de un conductor estructura-tierra al alambre neutral, utilice las instrucciones bajo la **Sección 3: Conexión opcional de 3-alambres.**



**Opción 3 Conexión Opcional de 3-alambres.**

• Si los códigos y ordenanzas locales no permiten la conexión de un conductor estructura-tierra a un cable neutral, utilice las instrucciones bajo esta sección.



1. Conecte un cable neutral (blanco) al cordón de poder para centrar la terminal del tornillo.
2. Conecte el cable de tierra(verde) del cordón de poder al tornillo de tierra externo y mueva el cable de tierra neutral fuera del aparato y conéctelo al tornillo central.
3. Conecte un cable rojo y otro Negro en las terminales izquierdas y derechas de los tornillos.
4. Asegúrese que el tornillo de alivio de tensión este apretado. Asegure que todo el bloque de tuercas esten bien apretados, y el cable eléctrico de poder este en la posición correcta.
5. Conecte un alambre de tierra independiente del conector de tierra externo con la tierra apropiada.

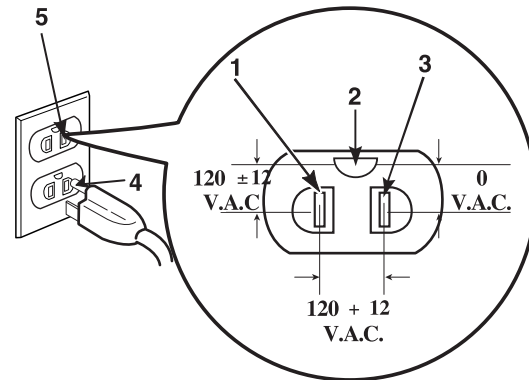
**120 Voltios, 60 Hertz, con Enchufe de 3-Clavijas con Conexión a Tierra**

Las siguientes son instrucciones adicionales sobre las conexiones y requerimientos eléctricos para las secadoras a gas.

**⚠ Advertencia Importante:** Para ayudar a prevenir incendios, choque eléctrico, lesiones serias o muerte, el cableado y la conexión a tierra deben estar de acuerdo con la edición más reciente del código Eléctrico Nacional, ANSI/NFPA 70, o el Código Eléctrico Canadiense, CSA C22.1, y todas la regulaciones locales aplicables. Por favor contacte un electricista calificado para verificar el cableado y fusibles de su casa y asegurar que tiene la energía eléctrica adecuada para el funcionamiento de la secadora.

**Requerimientos Eléctricos para su Secadora:!**

- a) Recuerde que el diagrama de cableado se encuentra dentro de la caperuza de control de la secadora. Etiquete todos los cables antes de la desconexión al realizar tareas de servicio porque errores en el cableado pueden ser causa de serias lesiones para usted y para su secadora.
- b) Su secadora está diseñada para ser operada en un circuito separado, polarizado, de tres alambres efectivamente conectados a tierra, 120 Voltios, 60 Hertz, AC (corriente alterna) circuito protegido por un fusible de 15 Amperios, fusetron equivalente o disyuntores.
- c) Utilice circuitos de fusibles separados para la lavadora y la secadora, NO opere una lavadora y una secadora en el mismo circuito.



**CIRCUITO ESTÁNDAR DE 120 VOLT,60 HERTZ, 3-ALAMBRES EFECTIVAMENTE CONECTADO A TIERRA.**

- 1 L1
- 2 Tierra
- 3 Lado Neutral
- 4 Clavija Redondeada a Tierra
- 5 Neutral

- a) La secadora tiene un enchufe de tres clavijas para protección contra choques eléctricos. El enchufe debe ser conectado directamente a un tomacorriente para tres clavijas debidamente conectado a tierra clasificado para 120 Voltios AC (corriente alterna) 15 Amperios. Este enchufe, para que sea debidamente y completamente efectivo, debe estar enchufado en un tomacorriente debidamente instalado que esté conectado a tierra de acuerdo a todos los códigos y ordenanzas locales.
- b) La secadora debe estar conectada a tierra con el fin de reducir el riesgo de choques eléctricos, incluyendo mal funcionamiento o avería.
- c) Si su cuarto de lavado no cumple con las especificaciones requeridas por este manual, o si no está seguro de que su cuarto de lavado cumple con estas especificaciones, por favor haga que un técnico o compañía calificada, por ejemplo un electricista calificado o su compañía eléctrica local, verifique el suministro eléctrico de su cuarto de lavado y corrija cualquier problema.

**⚠ ADVERTENCIA!**

No sobrecargue el circuito operando otros artefactos en el mismo circuito cuando este artefacto está funcionando, utilizando una extensión eléctrica para conectar la secadora a la fuente de energía, o utilizando cualquier adaptador que permita que se conecten cordones adicionales al mismo tomacorriente.

**⚠ ADVERTENCIA!**

**NO modifique el enchufe provisto con la secadora.** Si éste no encaja en el tomacorriente de su cuarto de lavado, un tomacorriente adecuado necesitará ser instalado por un técnico o compañía calificada.

Las siguientes son instrucciones e información importante concernientes a los requerimientos para el suministro y servicio del gas para las secadoras a gas. **⚠ Advertencia Importante:** El suministro y servicio del gas para las secadoras a gas debe cumplir con los códigos y ordenanzas locales. Si no existen códigos y ordenanzas locales en su área, el suministro y servicio del gas para su secadora a gas debe cumplir con la más reciente edición del Código Nacional de Gas Combustible, ANSI Z223.1 / NFPA 54.

1. Requerimientos del suministro de gas: El servicio de Gas Petróleo Licuado (L.P.) (2,500 Btu/ft<sup>3</sup> (93.1 MJ/m<sup>3</sup>)) debe ser suministrado a una presión de columna de agua de 10 + 1.5 pulgadas.
2. No intente conectar la Secadora al Servicio de Gas Petróleo Líquido (LP Gas) sin personal calificado.
3. Aísle la secadora del sistema de tuberías del suministro de gas cerrando la válvula individual de cierre manual, durante las pruebas de presión del sistema de suministro de gas a la presión de prueba igual o menor que 2/1 psi (3.45 kPa).
4. Requerimientos de la Línea de Suministro. Su cuarto de lavado debe tener una línea rígida de suministro de gas hasta la secadora. En USA, una válvula individual de cierre manual DEBE ser instalada a no más de 6 pies (1.8 m) de la secadora de acuerdo con Código Nacional de Gas Combustible ANSI Z223.1. Un conector de tubería N.P.T. de 1/8 pulgada debe ser instalado como se muestra.

### Instrucciones y ADVERTENCIAS:

- Conecte la secadora al tipo de gas indicado en la placa de la secadora.
- Utilice conectores nuevos flexibles de acero inoxidable.
- Utilice cinta de Teflón y sellador de uniones insoluble en gas LP en todas las roscas de las tuberías.
- Purgue el suministro de gas de aire y sedimentos antes de conectarlo a la secadora; con el propósito de evitar contaminación de la válvula de gas, antes de apretar la conexión entre el suministro de gas y la secadora, purgue el aire que queda hasta que el olor a gas sea detectado.
- NO use una flama para detectar fugas de gas; en su lugar, utilice un líquido detector de fugas no corrosivo.

## **⚠ ADVERTENCIA!**

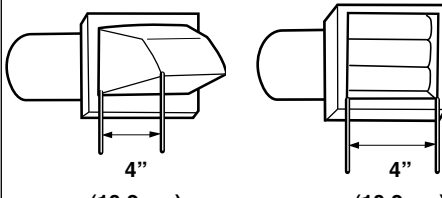
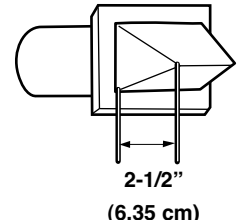
**NO** intente desmontar la secadora, esta acción requiere la atención y herramientas de un técnico o compañía autorizada y calificada.

## **⚠ ADVERTENCIA!**

- Utilice una línea nueva de suministro de gas aprobada por AGA o CSA.
- Instale una válvula de cierre.
- Asegúrese de apretar todas las conexiones de gas
- Si está conectado a LP, haga que un técnico calificado se asegure que la presión de gas no exceda la columna de agua de 13 pulgadas.
- Ejemplos de los técnicos calificados incluyen personal con licencia sobre calefacción personal autorizado de la compañía de gas, y personal autorizado de servicio.
- De no cumplir lo aquí indicado puede ocasionar la muerte, explosión o incendio.

Las siguientes son instrucciones e información importante concernientes a los requerimientos del escape para su secadora.

**⚠ Advertencia Importante:** Para reducir el riesgo de incendio, combustión, o acumulación de gases combustibles, NO dirija el escape de la secadora hacia un área cerrada y no ventilada, como un ático, pared, techo, sótano, chimenea, salidas de gas, o espacio oculto de un edificio. Para reducir el riesgo de incendio, NO utilice ductos de plástico o lámina delgada para el escape de la secadora.

Tipos de Campana	Número de Codos de 90°	Longitud máxima del ducto de metal rígido de 4" (10.2 cm) de diámetro	Longitud máxima del ducto de metal flexible de 4" (10.2 cm) de diámetro
<b>Recomendado</b> 	0	65 pies (19.8 m)	45 pies (13.7 m)
	1	55 pies (16.8 m)	35 pies (10.7 m)
	2	47 pies (14.3 m)	30 pies (9.1 m)
	3	36 pies (11.0 m)	25 pies (7.6 m)
	4	28 pies (8.5 m)	20 pies (6.1 m)
<b>Úsele únicamente para instalaciones de carrera corta</b> 	0	55 pies (16.8 m)	35 pies (10.7 m)
	1	47 pies (14.3 m)	27 pies (8.2 m)
	2	41 pies (12.5 m)	21 pies (6.4 m)
	3	30 pies (9.1 m)	17 pies (5.2 m)
	4	22 pies (6.7 m)	15 pies (4.5m)

**NOTA : Deduzca 6 pies (1.8 m) por cada codo adicional.**

**No se recomienda usar más de 4 codos de 90°.**

**Requerimientos e Instrucciones del Escape**

1. Los materiales para la ventilación no son suministrados con la secadora y usted deberá obtener los materiales necesarios localmente. Por ejemplo, el extremo exterior de la tubería de escape debe tener una campana con compuertas con bisagras para evitar corrientes de aires cuando la secadora no está en uso.
2. El ducto de escape debe ser de 4 pulgadas (10.2 cm) de diámetro sin obstrucciones. El ducto de escape debe mantenerse lo más corto posible. Asegúrese de limpiar cualquier ducto viejo antes de instalar su nueva secadora.
3. Los conductos metálicos rígidos o semi-rígidos se recomiendan para usarse como conductos de transición entre la secadora y la pared. Especialmente en las instalaciones donde es imposible hacer la conexión con las recomendaciones anteriores, un conducto metálico flexible listado UL puede usarse solamente entre la conexión de la secadora y la pared. El uso de estos conductos afectará el tiempo de secado.
4. NO use tornillos para láminas de metal en las uniones de las tuberías de escape u otros sujetadores que puedan introducirse en el ducto y que puedan atrapar pelusas y reducir la eficiencia del sistema de escape. Asegure todas las uniones con cinta para ductos.
5. Para maximizar los resultados de la operación, por favor observe las limitaciones del largo del ducto según la tabla de arriba.

**Mantenimiento del Escape y la Secadora**

**⚠ ADVERTENCIA!**

Desconecte la energía eléctrica de la secadora antes de efectuar limpieza o mantenimiento.

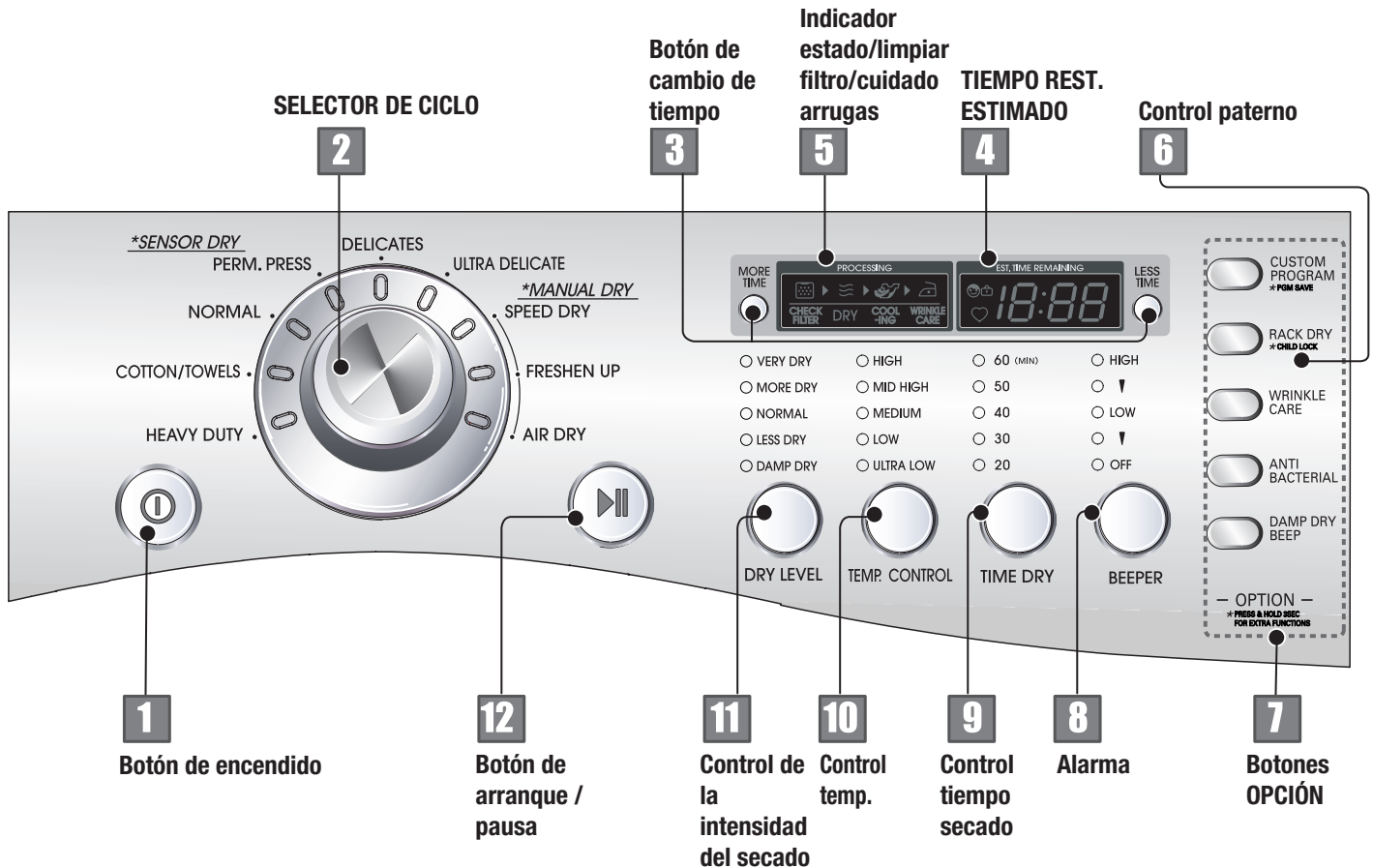
1. Después de un año de uso, el interior y todo el sistema de escape de la secadora debe ser examinado y limpiado si es necesario.
2. Antes de que transcurra un año de uso, si el rendimiento del secado ha bajado repentinamente a niveles insatisfactorios, examine y limpie el conducto de salida para conseguir un mejor nivel de secado.
3. Verifique la campana frecuentemente para asegurarse que las compuertas se están moviendo libremente, que no hayan sido empujadas hacia adentro, y que nada haya sido recargado contra las compuertas.
4. Un técnico de servicio o compañía calificada debe ser utilizada para realizar este mantenimiento.
5. Un equipo de Ventilación Flexible, disponible a costo extra, puede utilizarse cuando el escape de la secadora esta situado en lugares difíciles de alcanzar. Este equipo viene en dos piezas, una se adjunta a la secadora y la otra a la salida del escape de la pared. Después de haber fijado las dos piezas por separado a la secadora y a la pared, la secadora puede retornar a su posición final, para luego conectar las dos piezas entre si.
7. Usualmente, el tambor de la secadora no necesita cuidado. Limpie el exterior de la secadora cuando sea necesario, y siempre inmediatamente cuando se derrame en la secadora cualquier detergente, blanqueador, u otro producto para lavar, debido que estos productos pueden causar daños permanentes al acabado exterior de la secadora.
8. Limpie el panel de control con un paño húmedo cuando sea necesario. Advertencia: los productos de pre-lavados en spray pueden dañar el acabado del panel de control.
9. Por favor limpie el filtro de pelusa antes o después de secar cada carga.
10. Siempre asegúrese que el filtro de pelusa esté limpio antes de empezar una nueva carga, debido a que un filtro de pelusa obstruido puede aumentar el tiempo de secado.
11. Anualmente remueva el filtro de pelusa y colóquelo bajo el ducto de la aspiradora. Vea el ítem #2 arriba.
12. Por favor note que el diagrama de cableado se localiza dentro de la cubierta de los controles de la secadora. Etiquete todos los cables antes de desconectarlos al darle mantenimiento a la secadora, debido a que errores en el cableado pueden causar lesiones serias a usted y daño a su secadora.

**Limpieza de la Malla de Pelusa**

1. Limpie el filtro de pelusa antes o después de haber secado cada carga. Siempre asegúrese que el filtro de pelusa esté limpio antes de empezar una nueva carga, debido a que un filtro de pelusa obstruido puede aumentar el tiempo de secado.
2. Para limpiarlo, tire de la malla de pelusa hacia arriba y enrolle la pelusa fuera de la malla con los dedos. No enjuague o lave la malla para remover la pelusa, debido a que la pelusa mojada es difícil de quitar. Empuje la malla de pelusa firmemente de vuelta a su lugar.
3. Siempre asegúrese que la malla de pelusa esté firmemente colocada antes de operar la secadora. Operar la secadora sin la malla de pelusa puede causar sobrecalentamiento y causar daño a la secadora como a los artículos que está secando.
4. Algunas prendas pueden vertir más pelusa que otras (toallas por ejemplo), ocasionando que el filtro atrapapelusa se llene muy rápido. Remueva la pelusa de la malla de pelusa antes y después de haber secados estos artículos, tales como toallas nuevas.
5. En el caso que la pelusa se caiga de la malla dentro de la secadora durante la remoción, verifique el conducto de escape y quite cualquier pelusa.
6. El detergente para lavar y los residuos del suavizante de tela se pueden acumular en la malla de pelusa, causando tiempos de secado más largos. La malla probablemente se bloqueará si cae pelusa sobre ella. Con el fin de prevenir este tipo de acumulación, y ayudar a asegurar un funcionamiento adecuado de su secadora, limpie la malla de pelusa con un cepillo de nailon cada seis meses, o si es necesario, más frecuentemente. El filtro de pelusa también puede lavarse de la siguiente manera:
  - a) Después de haber enrollado la pelusa fuera de la malla con los dedos, moje ambos lados de la malla con agua caliente o tibia.
  - b) Moje un cepillo de nailon con agua caliente y detergente líquido y restriegue la malla de pelusa para remover la acumulación de residuos de detergente y suavizante de tela.
  - c) Repita el proceso como sea necesario.
  - d) Después que los residuos hayan sido removidos, enjuague la malla con agua caliente.
  - e) Después de secar la malla de pelusa con una toalla limpia, Coloque firmemente la malla de vuelta en la secadora.

Las siguientes son las instrucciones para encender y utilizar su nueva secadora. Por favor refiérase a las secciones específicas de este manual para información más detallada. Advertencia Importante: Para reducir el riesgo de incendio, choque eléctrico, o lesiones personales lea este manual completamente, incluyendo las Instrucciones de Seguridad Importantes, antes de operar esta secadora.

■ DLE7177WM/DLG7188WM/DLE7177NM/DLG7188NM/DLE7177RM/DLG7188RM



## ⚠ ADVERTENCIA!

### Peligro de Explosión

Mantenga materiales y vapores inflamables como gasolina, lejos de la secadora. No seque nada que haya tenido contacto con algo inflamable (aún habiéndolo lavado). El no llevar a cabo estas instrucciones puede resultar en muerte, explosión, o incendio. MUY

## ⚠ ADVERTENCIA!

### Peligro de Incendio

Ninguna lavadora puede remover por completo el aceite. Nunca seque nada que haya tenido contacto con algún tipo de aceite (incluyendo aceite de cocinar). Artículos que contengan espuma, hule, o plástico deben secarse en un tendedero o utilizando un Ciclo de Aire. El no llevar a cabo estas instrucciones puede resultar en muerte o incendio.!

## 1 Botón de encendido

- Use este botón para encender o apagar el aparato.

## 2 Selección del ciclo

- Marcando con la perilla, seleccione el ciclo deseado basándose en los tipos de colada y las condiciones existentes.

### 1. Ciclo de Sensor Dry[sensor de secado]

Seleccione el ciclo de secado que concuerde con el tipo de carga que desea secar.

(Vea la tabla de Características Preestablecidas de los Ciclos Sensor Dry[sensor de secado] y Manual. Los Ciclos de Sensor Dry[sensor de secado] le permiten ajustar el ciclo con la carga que está secando. Cada ciclo seca ciertas telas a la temperatura recomendada. Un sensor detecta la humedad en la carga y ajusta automáticamente el tiempo de secado para un secado óptimo.

#### **Muy potente**

Use para secar algodón, toallas, algodones fuertes

#### **Algodón/Toallas**

Use este ciclo para obtener temperatura medio-high para secar toallas, mezclilla.

#### **Normal**

Use para secar telas firmes como ropa de trabajo casual

#### **Prensar perm.**

Use para planchado permanente y para prendas sintéticas

#### **Delicado**

Use para secar telas sintéticas, tejidos lavables y telas de no planchar

#### **Ultra delicado**

Use para secar delicadamente prendas de ejercicio, encaje, etc

Características Predeterminadas del Ciclo de Sensor Dry[sensor de secado]		
Tipos de Cargas del Ciclo de Sensor Dry [sensor de secado]	Temperatura	Tiempo* (Minutos)
HEAVY DUTY[MUY POTENTE] Jeans, carga pesada	High[Alto]	54
COTTON/TOWELS [ALGODÓN/TOALLAS] Toallas, pantalones de algodón	Medium High [Mediano Alto]	55
NORMAL Ropa de Trabajo, pana	Medium[Mediano]	41
PERM. PRESS [PRENSAR PERM.] Sintéticos, planchado permanente	Low[Bajo]	36
DELICATES[DELICADO] Ropa Interior, playeras, blusas	Low[Bajo]	32
ULTRA DELICATE [ULTRA DELICADO] Prendas de ejercicio, encaje, etc	Ultra Low [Ultra Bajo]	34

## 2. Ciclos Manuales

Use los Ciclos Manuales para seleccionar una cantidad específica de tiempo de secado y una temperatura de secado. Cuando un Ciclo Manual es seleccionado, la pantalla del estimated time remaining(Tiempo Restante Estimado) muestra el tiempo actual restante en su ciclo. Usted puede cambiar el tiempo actual presionando los botones more time y less time(Más Tiempo y Menos Tiempo).

### **Secado Rápido**

Use para cargas pequeñas o cargas que necesiten poco tiempo de secado.

### **Refresecado**

Use este ciclo para eliminar arrugas de las prendas, tales como aquellas guardadas en maletas o prendas arrugadas por haberse quedado mucho tiempo en la secadora.

### **Secado con aire**

Use el Modificador de Air Seco para prendas que no necesiten calor para secarse como el hule, plástico y telas sensibles al calor.

## 3 Botón de cambio de tiempo



- Pulse MORE TIME o LESS TIME hasta ajustar el tiempo de secado deseado.

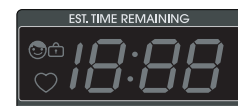
### **Nota**

El botón de cambio del tiempo está disponible sólo con secado manual, secado por tiempo y secado por nivel.

## 4 Tiempo rest. estimado

- La pantalla muestra el tiempo restante estimado.

Además de ello, si la secadora tiene algún problema, aparecerán mensaje de error en pantalla.



**5** Indicador estado/limpiar filtro/cuidado arrugas

- Muestra el estado de la operación de secado. Cuando se seleccione el cuidado de arrugas, esta opción se iluminará. Cuando el encendido esté activado, limpiar filtro parpadeará hasta que se seleccione arrancar/pausa.



**⚠ ADVERTENCIA!**

Para lograr un mejor secado y seguridad, limpie el filtro de pelusillas o hilos con cada uso.

**6** Control paterno



**1. Control paterno**

El control paterno puede usarse para evitar que sus niños hagan un uso indebido del panel de control mientras la secadora está funcionando.

Cuando el control paterno está activado, todos los botones estarán bloqueados y el botón del control paterno se iluminará.

Para bloquear

Pulse y mantenga pulsado Rack Dry por 3 segundos. Oirá un tono de zumbador y verá aparecer CL en la ventana de estado.

Para desbloquear el control paterno, pulse y mantenga pulsado Rack Dry por 3 segundos de nuevo.

**7** Botones OPCIÓN

**1. PROGRAMA PERSONALIZADO**

Programación personalizada para ajustar su combinación favorita de distintos ajustes y guardarlos aquí para rellamarlos con un simple toque de un botón.



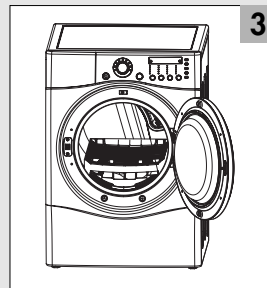
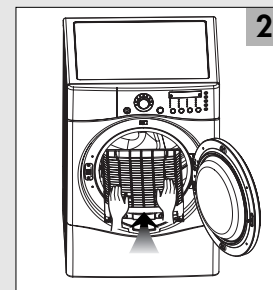
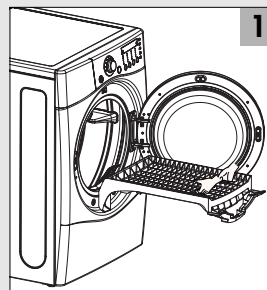
1. Seleccione un ciclo.
2. Cambie DRY LEVEL y TEMP CONTROL.
3. Seleccione OPTIONS, las que desee.
4. Mantenga pulsado CUSTOM PROGRAM. Para volver a llamar su CUSTOM PROGRAM (PROGRAMA PERSONALIZADO) guardado Pulse CUSTOM PROGRAM y, a continuación, START/PAUSE.

**2. Secado con Parrilla**

El perchero de secado viene incluido en su secadora. Retire y deseche el material envolvente antes de usarlo. Use el Rack Dry [Secado con Parrilla] para artículos que usted no quiera secar dando vueltas, así como suéteres. Cuando use el perchero de secado con calor, el aire caliente dentro de la secadora fluirá en una trayectoria concentrada que permitirá un secado uniforme y eficiente. Utilice el Tiempo de Secado para determinar el tiempo de secado deseado.



**■ PARA USAR LA PARRILLA DE SECADO**



1. Abra la puerta. Sostenga la parrilla de secado con ambas manos.
2. Inserte la parrilla de secado dentro de la tina.
3. Asegúrese que la parrilla esté bien puesta dentro de la tina.

**Nota**

No use Rack para un secado normal. El secado con niveles se envía colocado en su sitio en su secadora, de modo que debe sacar la estantería para secados normales.

Artículos sugeridos para secado con Parrilla	Temperatura	Tiempo Sugerido* (Minutos)
Prendas de Lana lavables	Low [Bajo]	20
Juguetes rellenos de algodón o de poliéster	Low/Ultra Low [Bajo/Ultra Bajo]	20/30
Juguetes rellenos de hule espuma	Air Dry [Aire Seco] Ultra Low [Ultra Bajo]	50/30
Almohadas de hule espuma	Air Dry [Aire Seco]	50
Zapatos atléticos	Air Dry [Aire Seco]	20

\* Reinicie el tiempo lo necesario para completar el secado.

### 3. Cuidado arrugas

Esta opción le ayuda a evitar que queden arrugas en sus prendas de vestir.



Cuando seleccione la opción libre de arrugas, la secadora dará vueltas periódicamente hasta 3 horas una vez completado el ciclo.

Puede usar esta opción en casi de que no pueda sacar la colada terminado el secado.

### 4. ANTI BACTERIAL

Esta opción sólo puede ser utilizada con NORMA, HEAVY DUTY, CONNTON/TOWELS [TRABAJO HEAVY DUTY, ALGODÓN/TOALLAS], y ciclos



Esta opción reduce algunos tipos de bacterias.

El proceso ANTIBACTERIAL produce altas temperaturas durante el ciclo.

#### Nota

**No utilice este ciclo con las telas delicadas.**

### 5. Beeper de Secado Húmedo

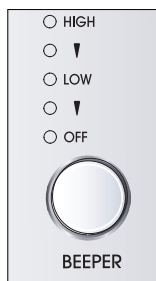
Cuando selecciona la opción de Alarma de Secado Húmedo, una alarma lo alertará cuando su carga esté aproximadamente al 80% seco.



Esta alarma le permitirá retirar las prendas ligeras que estén ya secas u otras prendas que quiera planchar.

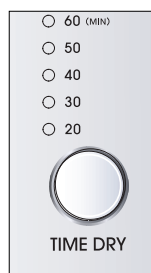
### 8 Alarma

La beeper[Alarma] controla el volumen de la señal que se emite cuando se presiona algún botón en el panel de control y cuando la conclusión de algún ciclo es indicado. Presione beeper[Alarma] para ajustar el nivel del sonido o para apagar la señal.



### 9 Control tiempo secado

Opción seca del tiempo del uso para cambiar tiempo de secado en sus el propios usted puede seleccionar el tiempo deseado de la operación manualmente presionando el botón seco del tiempo que se extiende a partir del 20 a 60 minutos.

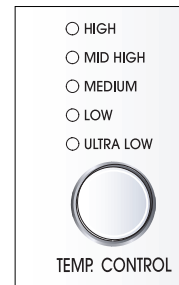


### Características Predeterminadas del Ciclo Manual

Seco Manualmente Carga de Ciclos Tipo	TEMP.	TIEMPO FIJADO EN FABRICA* (MINUTOS)
<b>SPEED DRY</b> [Secado Rápido] Cargas Pequeñas	High[Alto]	25
<b>FRESHEN UP</b> [Fresco] Quita Arrugas	Medium High [Mediano Alto]	20
<b>AIR DRY</b> [Aire Seco]	Aire Seco	30

### 10 Control temp.

Use la opción de control del tiempo para seleccionar las temperaturas para los ciclos manuales. Pulse TEMP CONTROL hasta que se ilumine el ajuste de temperatura. Los modificadores de la temperatura no pueden usarse con los ciclos del secado por sensor.



### Cuando Use Air Dry[Aire Seco]

Utilice el Modificador de Air Seco para artículos que requieran secado sin calor, así como hule, plástico y telas sensibles al calor. Esta tabla muestra ejemplos de artículos que pueden ser secados usando el Air Seco.

Tipo de Carga	TIEMPO FIJADO EN FABRICA (MINUTOS)
Almohadas de hule espuma, sostenes y juguetes con relleno	20 - 30
Cortinas de Baño (plástico), mantelería	20 - 30
Tapetes de goma	40 - 50
Olefin, polipropileno, nailon puro	10 - 20

Si es necesario, reinicie el ciclo para completar el secado.

- Verifique que todas las cubiertas estén completamente cerradas.
- Agite y mulla las almohadas con las manos periódicamente durante el ciclo.
- Seque los artículos completamente. Las almohadas de hule espuma tardan en secar.

**NOTA:** Aire Seco no está disponible con el Sensor Ciclos de SENSOR DRY[sensor de secado]

**11 Nivel secado**

- VERY DRY
- MORE DRY
- NORMAL
- LESS DRY
- DAMP DRY



DRY LEVEL

- Use este botón para ajustar el nivel de secado.
- Primero, seleccione el ciclo de secado por sensor.
- Seleccione el nivel de secado para ajustar cuánto desea secar la carga. Según se ejecuta el ciclo, el control detecta el nivel de sequedad de la carga y ajusta el tiempo automáticamente basándose en el nivel de sequedad seleccionado.

**Nota**

Las selecciones de NIVEL DE SECADO sólo pueden realizarse mientras se usan ciclos de secado por sensor seleccionando MORE (más) secado o LESS (menos) secado para ajustar automáticamente el tiempo necesario ya detectado.

**12 Botón de arranque / pausa**

- Use este botón para arranque o pausa.

**🌸 Arranque de su secadora**

**1. Antes de usar**

- Limpie la pantalla de hilos antes y después de cada ciclo.
- Coloque la colada en la secadora y cierre la puerta. Consulte el apartado de carga.
- illegible parts - cannot read properly - please re-send

**2. Carga**

- Determine el tamaño de la carga por la cantidad de espacio que la carga requiere más bien que el peso de la carga.
- Evite de sobrecargar el secador. Después de estos la instrucción puede ayudar a reducir su cuenta para uso general, a prolongar la vida de sus ropas, y a disminuir la probabilidad de la sequedad y de la arruga desiguales.

**3. Para usar un ciclo de secado por sensor**

- Seleccione DRY LEVEL para ajustar el nivel de sequedad que desea alcanzar en la carga. Según se ejecuta el ciclo, el control detecta la sequedad existente en la carga y ajusta el tiempo automáticamente para alcanzar el nivel seleccionado.
- Seleccione las opciones deseadas.
- Pulse START/PAUSE.

**Nota**

Las selecciones de NIVEL DE SECADO sólo pueden realizarse mientras se usan ciclos de secado por sensor seleccionando MORE (más) secado o LESS (menos) secado para ajustar automáticamente el tiempo necesario ya detectado.

**Los siguientes son ejemplos de cargas para Secadoras de Súper Capacidad:**

<b>Heavy Work Clothes</b> <b>[Ropas de Uso Pesado]</b> 4 pantalones vaqueros 4 pantalones de trabajo 4 camisas de trabajo	2 pantalones de ejercicios 2 sudaderas
<b>Towels [Toallas]</b> 10 toallas de baño 10 toallas de mano	14 paños para limpiar
<b>Mixed Load [Carga Mixta]</b> 3 sábanas (1 grande, 2 medianas) 4 fundas de almohadas 3 camisas 3 blusas	9 camisetas 9 calzoncillos 10 pañuelos

**4. Para usar un ciclo de manual por sensor**

- Seleccione un ciclo de secado manual.
- Pulse MORE TIME o LESS TIME hasta que el tiempo de secado aparezca en pantalla. Seleccione MORE TIME o LESS TIME y el tiempo cambiará en intervalos de 1 minuto.

**Nota**

**La función MORE TIME o LESS TIME puede usarse con secado manual, secado por tiempo y secado rack (con niveles).**

- Pulse TEMP. CONTROL hasta que se ilumine el indicador de temperatura deseado.
- (PASO OPCIONAL) Si lo desea, seleccione OPTIONS.  
Para más detalles, consulte Opciones.
- Pulse START/PAUSE. Asegúrese de que la puerta está cerrada.
- Si no pulsa START/PAUSE antes de que pasen 10 minutos una vez realizada la selección del ciclo, la secadora se apagará automáticamente.
- Si desea terminar su ciclo de secado una vez pulsado START/PAUSE, pulse de nuevo START/PAUSE.

Para detener su secadora en cualquier momento Pulse START/PAUSE o abra la puerta.

**5. Pausar o reiniciar. Para pausar la secadora en cualquier momento**

Abra la puerta o pulse START/PAUSE una vez.

**Para reiniciar la secadora**

Cierre la puerta. Pulse START/PAUSE.

**Nota**

**El secado continuará desde el punto en el que se interrumpió el ciclo si cierra la puerta y pulsa START antes de que pasen 10 minutos. Si el ciclo se interrumpió más de 10 minutos, la secadora se apagará. Seleccione nuevos ajustes de ciclo antes de reiniciar la secadora.**

**⚠ ADVERTENCIA!**

La conexión indebida del cable o un error de cableado relacionado puede provocar incendios, descargas eléctricas o incluso la muerte.

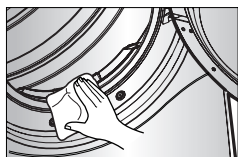
**Mantenimiento**

**No es muy difícil mantener cuidada su secadora.**

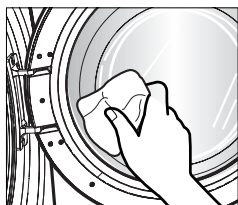
Todo lo que tiene que hacer es seguir los siguientes pasos.  
Limpie el filtro y asegúrese de tenerlo limpio antes de cualquier uso.  
No limpiarlo ocasiona que el secado sea más tardado y gaste más energía  
Sin seguir estas instrucciones, la vida de la secadora se acorta mucho

**■ Limpiar el filtro atrapapelusa**

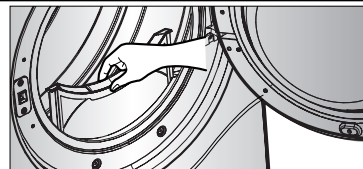
1. Limpie la apertura de la puerta. De otra manera, se genera polvo y residuos que pueden dañar la cerradura de la puerta



2. Limpie la puerta transparente para mantener una vista clara a través del vidrio.

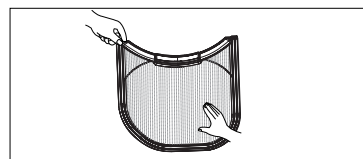


1. Abra la puerta y jale el filtro atrapapelusa

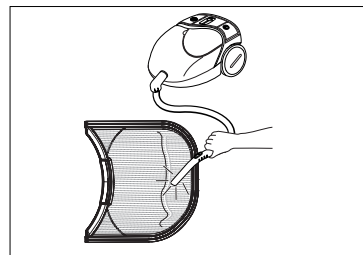


2. Limpiar el filtro usando una de las siguientes formas en los casos.

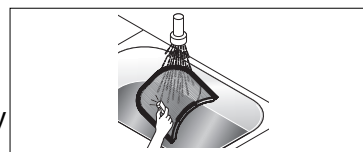
- ① Usar los dedos a través del filtro



- ② Aspire el filtro



- ③ Lave el filtro con jabón y agua caliente. Seque fuertemente y reemplace.



Consejos para la solución de problemas  
 Ahorre tiempo y dinero! Primero revise las tablas en las siguientes  
 páginas y quizás no necesite llamar a servicio.

**1. Problema: Mi Secadora no Arranca**

Pregunta	Qué Hacer
• Está la Secadora conectada?	Confirme que el enchufe de la secadora esté completamente insertado en el tomacorriente del cuarto de lavado.
• Está el fusible fundido, o el disyuntor disparado?	Verifique la caja de fusibles/disyuntores del cuarto de lavado de su casa y cambie los fusibles o reconecte los disyuntores. (IMPORTANTE: generalmente las secadoras eléctricas usan dos fusibles o disyuntores.)

**2. Problema: Mi Secadora no Calienta**

Pregunta	Qué Hacer
• Está el fusible fundido, o el disyuntor disparado?	Si el fusible está fundido o el disyuntor disparado, la secadora quizás de vueltas pero no calienta. Verifique la caja de fusibles/disyuntores del cuarto de lavado de su casa y cambie los fusibles o reconecte los disyuntores. (IMPORTANTE: generalmente las secadoras eléctricas usan dos fusibles o disyuntores.)
• Está el suministro o servicio de gas bloqueado o apagado?	Confirme que las válvulas de apagado de gas de la casa y de la secadora estén completamente abiertas

**3. Problema: Hay Manchas de Grasa en la Ropa**

Pregunta	Qué Hacer
• Siguió usted las instrucciones del empaque del suavizante de telas?	Confirme y siga las instrucciones provistas con el suavizante de telas.
• Está usted secando ropa limpia y ropa sucia juntas?	Asegúrese de usar su secadora para secar prendas limpias solamente, debido a que prendas sucias pueden manchar la ropa limpia que están en la misma carga o colocadas posteriormente en el tambor de lavado.
• Estaban sus prendas completamente limpias?	Las manchas en la ropa seca son manchas que no fueron eliminadas durante el proceso de lavado. Por favor revise y confirme que se están siguiendo las instrucciones de lavado y que la ropa está quedando completamente limpia.

**4. Problema: Mi Secadora muestra "Error"**

Pregunta	Qué Hacer
tE1	Se muestra cuando el Thermistor no esta conectada. En este caso, el thermistor debe ser reemplazadoy llamar al centro de servicio.
tE2	Se muestra cuando el thermistor es muy corto. En este caso, el thermistator debe ser reemplazado y llamar al centro de servicio.

**4.Problema : Hay Pelusa en la Ropa**

Pregunta	Qué Hacer
<ul style="list-style-type: none"> <li>• Está el filtro de pelusa lleno?</li> </ul>	<p>Por favor refiérase a la sección del manual sobre la limpieza del filtro de pelusa, y confirme que filtro de pelusa esté limpio. Es importante que el filtro de pelusa esté limpio antes de una nueva carga.</p>
<ul style="list-style-type: none"> <li>• Clasificó adecuadamente la carga de ropa?</li> </ul>	<p>Para reducir la cantidad de pelusa en una carga de ropa, clasifique los productores de pelusas (como toalla vellosa blanca de algodón ) separadamente de las ropas que puedan coger pelusas (como pantalones negros de lino).</p>
<ul style="list-style-type: none"> <li>• Tiene la ropa exceso de electricidad estática?</li> </ul>	<p>Vea los siguientes comentarios bajo: Hay estática en mi ropa después del secado.</p>
<ul style="list-style-type: none"> <li>• Sobrecargó su secadora?</li> </ul>	<p>Divida las cargas grandes en cargas pequeñas.</p>
<ul style="list-style-type: none"> <li>• Colocó algún papel, servilleta u otro material similar en la carga?</li> </ul>	<p>Algunas veces se olvida retirar de los bolsillos del pantalón un pedazo de papel o servilleta, y este papel, servilleta o material similar puede causar exceso de pelusa en una carga. Confirme que los bolsillos de los pantalones, camisas y de otros artículos estén vacíos antes del lavado y secado.</p>

**5.Problema: Ocurre Estática en la Ropa después del Secado**

Pregunta	Qué Hacer
<ul style="list-style-type: none"> <li>• Utiliza suavizante de tela?</li> </ul>	<p>Trate usando un suavizante de telas para reducir la electricidad estática.</p>
<ul style="list-style-type: none"> <li>• Secó en exceso la carga?</li> </ul>	<p>El secado en exceso de la carga puede causar una acumulación de electricidad estática. Trate usando un suavizante de telas o ajuste las características y utilice un tiempo de secado más corto.</p>
<ul style="list-style-type: none"> <li>• Está secando telas sintéticas, planchado permanente y mezclas?</li> </ul>	<p>Estos materiales pueden causar acumulación de estática en una carga de ropa seca. Trate usando un suavizante de telas.</p>

**6.Problema: El Tiempo de Secado no es Consistente**

Pregunta	Qué Hacer
<ul style="list-style-type: none"> <li>• Está usando calor consistente y tamaños de cargas consistentes?</li> </ul>	<p>El tiempo de secado para una carga varía dependiendo de las características del calor, tipo de calor usado (eléctrico, gas natural o LP), el tamaño de la carga, el tipo de tela, la humedad de las prendas, y la condición de los ductos de escape y filtro de pelusa.</p>

**7. Problema: Las Prendas Toman Mucho Tiempo en Secarse**

Pregunta	Qué Hacer
<ul style="list-style-type: none"> <li>• Clasificó sus cargas de ropa adecuadamente?</li> </ul>	<p>Separe los artículos pesados de los livianos cuando clasifique las cargas.</p>
<ul style="list-style-type: none"> <li>• Está secando cargas grandes de ropa pesada?</li> </ul>	<p>La ropa pesada tarda más tiempo en secarse porque tienden a retener más humedad. Para ayudar a reducir y mantener tiempos de secado más consistentes para telas grandes y pesadas, separe estos artículos en cargas más pequeñas de un tamaño consistente.</p>
<ul style="list-style-type: none"> <li>• Están los controles de secado ajustados correctamente ?</li> </ul>	<p>Use el ajuste de control adecuado para el tipo de carga que está secando.</p>
<ul style="list-style-type: none"> <li>• Está el filtro de pelusa limpio antes de cada carga nueva?</li> </ul>	<p>Por favor confirme que el filtro de pelusa esté limpio antes de cada carga nueva.</p>
<ul style="list-style-type: none"> <li>• Están los ductos de escape limpios y debidamente configurados?</li> </ul>	<p>Confirme revisando las secciones apropiadas de este manual que la instalación del escape esté debidamente configurada. Confirme que la ventilación esté libre de obstrucciones. Confirme que las compuertas de la pared exterior se mueven libremente, que las compuertas no estén siendo empujadas hacia adentro, y que nada se esté recargado contra las compuertas.</p>
<ul style="list-style-type: none"> <li>• Está el fusible fundido, o el disyuntor disparado?</li> </ul>	<p>Verifique la caja de fusibles/disyuntores del cuarto de lavado de su casa y cambie los fusibles o reconecte los disyuntores. (IMPORTANTE: generalmente las secadoras eléctricas usan dos fusibles o disyuntores.)</p>
<ul style="list-style-type: none"> <li>• Sobrecargó su secadora?</li> </ul>	<p>Divida sus cargas grandes en cargas más pequeñas.</p>
<ul style="list-style-type: none"> <li>• Muy poca carga en su secadora?</li> </ul>	<p>Si sólo está secando pocos artículos, añada unas cuenta piezas más para ayudar a una adecuada acción giratoria.</p>

**8. Problema: Las Prendas están Arrugadas**

Pregunta	Qué Hacer
<ul style="list-style-type: none"> <li>• Está secando demasiado su ropa?</li> </ul>	<p>El secar demasiado una carga puede conducir a que se arrugue la ropa. Trate con un tiempo de secado más corto, y remueva las prendas cuando aún tengan algo de humedad.</p>
<ul style="list-style-type: none"> <li>• Está usted removiendo su ropa de la secadora inmediatamente después que el ciclo de secado es completado?</li> </ul>	<p>Remueva su ropa de la secadora después de finalizado el ciclo de secado y cuelgue o doble las prendas.</p>

**9. Problema: Las Prendas se Encogen**

Pregunta	Qué Hacer
<ul style="list-style-type: none"> <li>• Está usted siguiendo las instrucciones sobre el cuidado de sus prendas.</li> </ul>	<p>Para evitar encogimiento, por favor siga cuidadosamente las instrucciones sobre cuidado y uso de sus prendas, debido a que algunas telas se encogen naturalmente cuando se lavan. Otras telas pueden ser lavadas pero se encogen cuando son secadas en secadoras.</p>
<ul style="list-style-type: none"> <li>• Problemas con RLM</li> </ul>	<p>Revise el manual de Usuario del modem RLM &amp; PLC.</p>

# GARANTÍA LIMITADA DE LA SECADORA LG-USA

LG Electronics Inc., reparará o en su defecto repondrá, sin cargo alguno, su producto si prueba ser defectuoso en material o mano de obra dentro de un uso normal durante el período establecido en la parte inferior de la garantía, efectivo desde el día de compra del producto. Esta garantía limitada es efectiva únicamente para el comprador original del producto, y efectivo únicamente si ha sido usado en los Estados Unidos, incluyendo Alaska, Hawai y territorio norteamericano.

<u>PERÍODO DE GARANTÍA</u>	<u>CÓMO SE MANEJA EL SERVICIO</u>
Vigencia: <b>1 año</b> desde la fecha de compra	Llame al 1-800-243-0000 y escoja la opción apropiada.
Todas las partes: <b>1 año</b> desde la fecha de compra	Por favor tenga listo el tipo de producto (Lavadora), número de modelo, número de serie y código postal.

**ESTA GARANTÍA REEMPLAZA CUALQUIER OTRA GARANTÍA, EXPRESA O IMPLÍCITA, INCLUYENDO SIN LIMITACIÓN CUALQUIER GARANTÍA DE VENTA DE MERCANCÍA O CONVENIENCIA PARA PROPÓSITOS PARTICULARES. EN EL EXTENDIDO CUALQUIER GARANTÍA IMPLÍCITA ES REQUERIDA POR LEY, ES LIMITADA EN DURACIÓN AL PERÍODO DE GARANTÍA EXPRESA EN LA PARTE INFERIOR. LG NO SE HARÁ RESPONSABLE POR CUALQUIER DAÑO INDIRECTO, CONSECUENTE O INCIDENTAL DE NINGÚN TIPO, INCLUYENDO PÉRDIDAS DE INGRESOS O GANANCIAS, EN RELACIÓN CON EL PRODUCTO. ALGUNOS ESTADOS NO PERMITEN LÍMITES EN CUANTO A LA DURACIÓN DE LA GARANTÍA IMPLÍCITA, O LA EXCLUSIÓN DE DAÑOS INCIDENTALES O DAÑOS CONSECUENTES, ASÍ QUE LO CITADO EN LA PARTE INFERIOR PUEDE NO APLICARSE A USTED.**

**ESTA GARANTÍA LIMITADA NO APLICA A:**

1. Viajes de Servicio a su casa para llevar, recoger y/o instalar el producto, instruir o reponer fusibles o conectar correctamente cables, o la corrección de piezas desautorizadas; y
2. Daños o problemas operacionales como resultado de un mal uso, abuso, operación dentro de un ambiente no especificado o contrario a los requerimientos o precauciones en la Guía Operacional, accidente, plagas, incendios, inundaciones, instalación inapropiada, actos de Dios, alteraciones o modificaciones desautorizadas, voltaje incorrecto, uso comercial, o para el uso de otros fines que no sean los propósitos intencionados.
3. **Consecuentemente, el costo de las reparaciones o reemplazo del producto defectuoso, será asumido por el consumidor.**

**NÚMEROS CENTRALES INTERACTIVOS PARA EL CLIENTE**

Para comprobar la cobertura de la garantía:	Conserve su recibo para comprobar la fecha de compra. Una copia de su recibo será requerida en el momento en el que el servicio de la garantía es proveído.
Para obtener Centros de Servicio Autorizados cercanos, o para obtener producto, o asistencia de servicio o para el consumidor:	Llame al 1-800-243-0000 (lunes a viernes, 7am-8pm, y sábados de 8am-5pm) y escoja la opción del menú apropiada y tenga a la mano su tipo de producto (lavadora), número de modelo, número de serie y código postal; o visite nuestra página de Internet en <a href="http://www.lgservice.com">http://www.lgservice.com</a>