

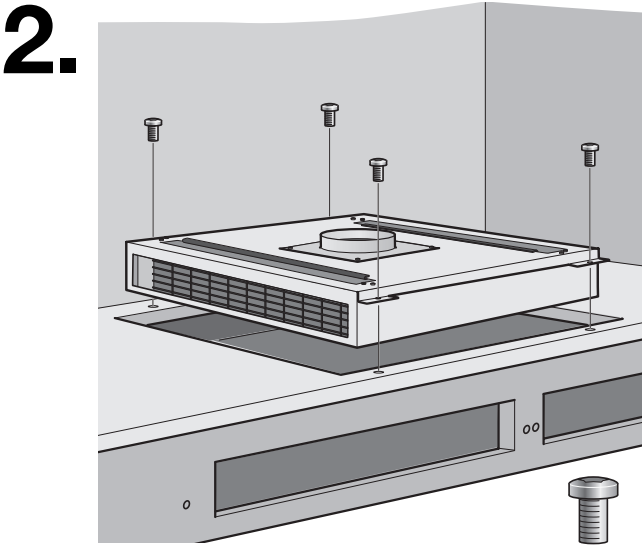
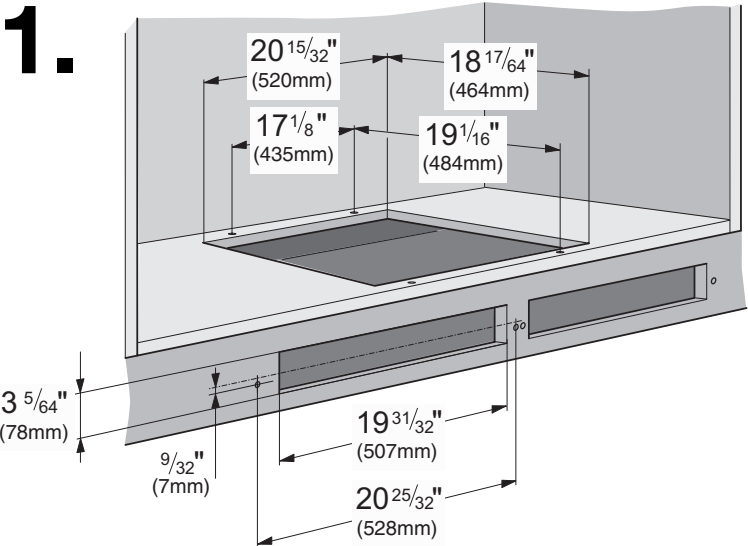
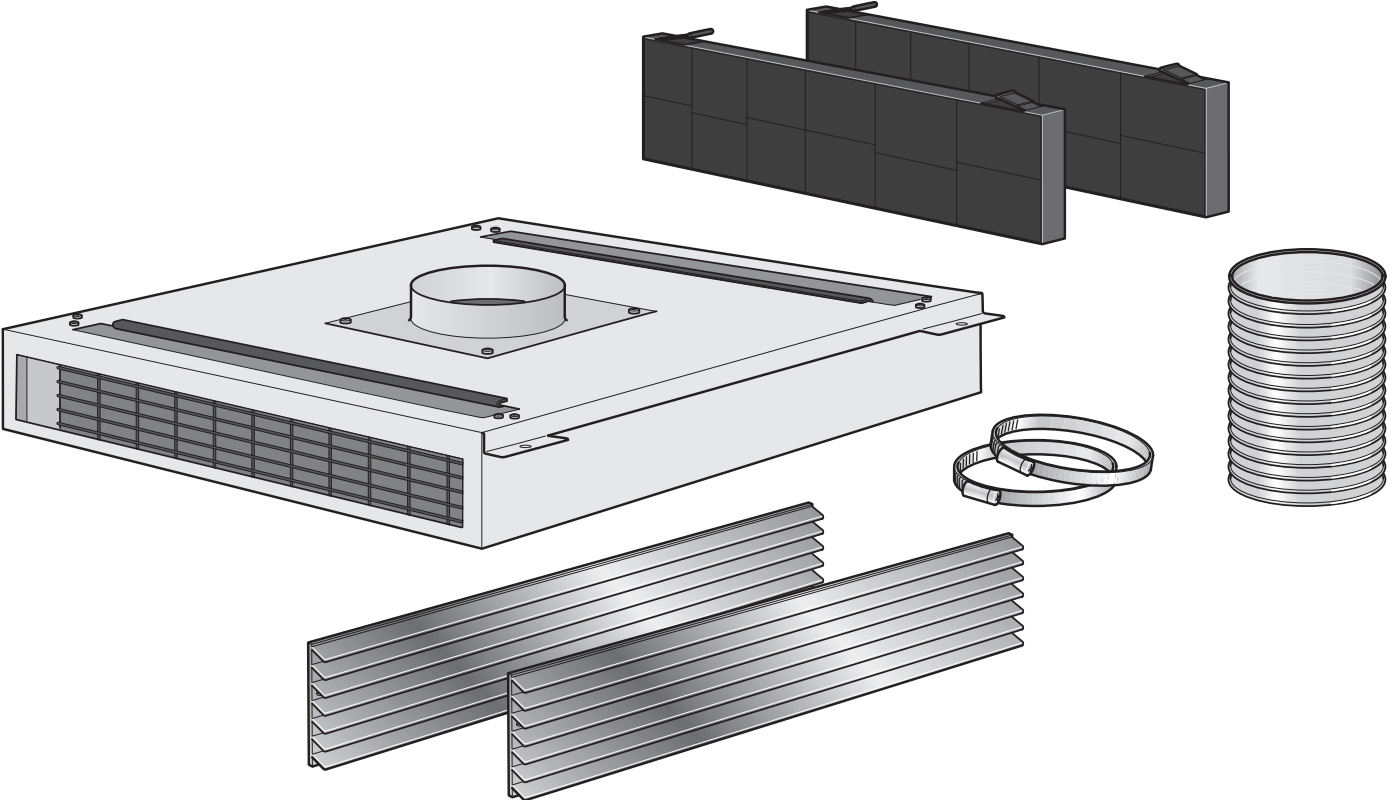
INSTALLATION INSTRUCTIONS  
Model: DHDRM36UC

**BOSCH**

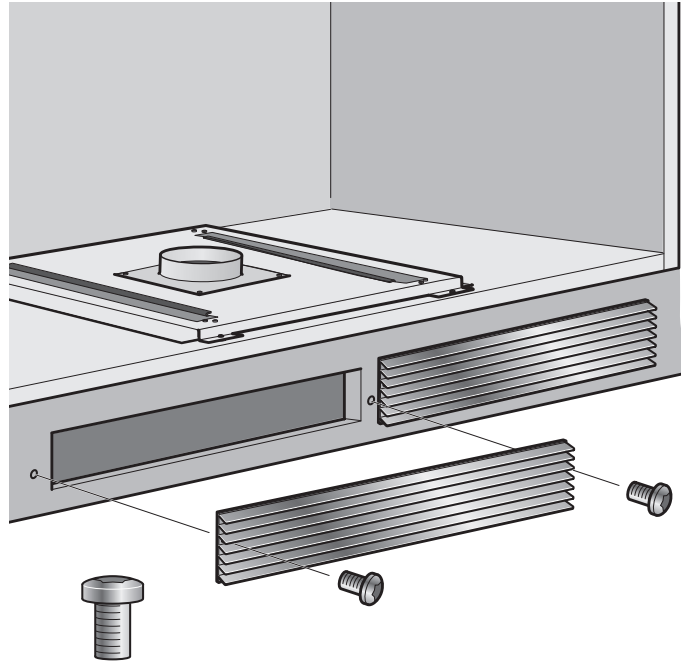
YOUR LIFE. OUR INSPIRATION.



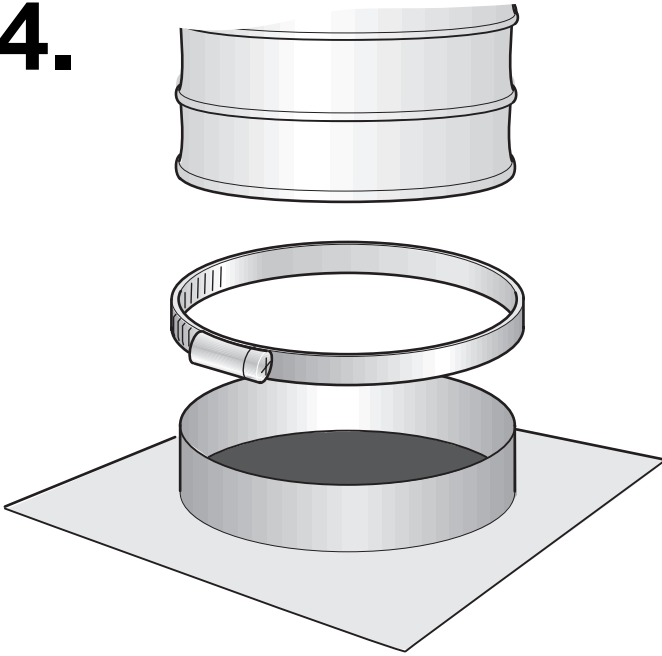
# INSTALLATION



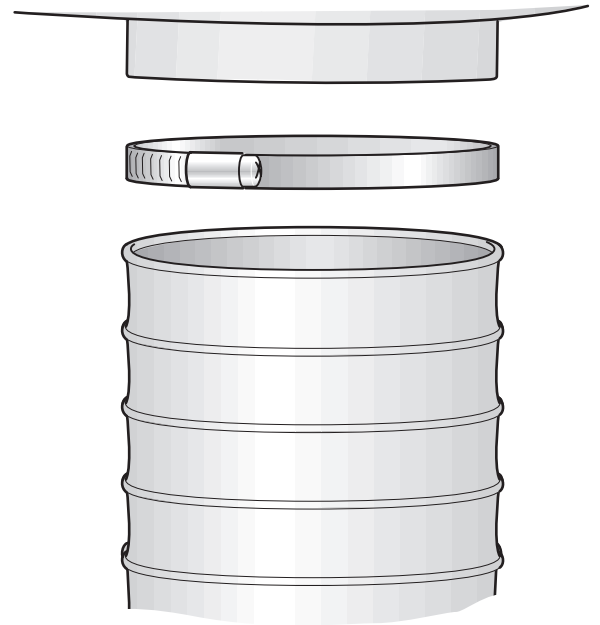
**3.**



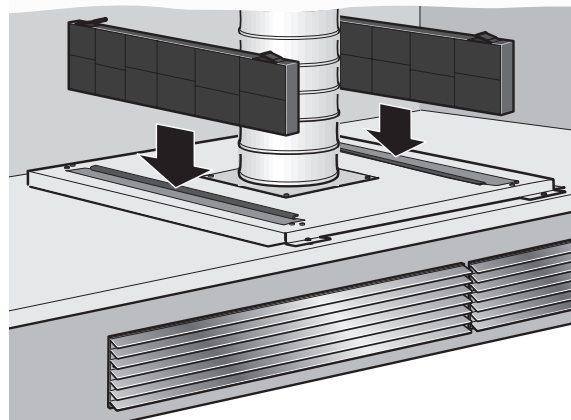
**4.**



**5.**



**6.**



# **BOSCH**

YOUR LIFE. OUR INSPIRATION.

5551 McFadden Avenue, Huntington Beach, CA 92649 • 1-800-944-2904 • [www.boschappliances.com](http://www.boschappliances.com)  
9000343507 • 10019 Rev B • 05/08 © BSH Home Appliances Corporation 2005 • Litho U.S.A.