

Specialty Hood DHD3614UC

Ventilation Spec Sheet



BOSCH
Invented for life

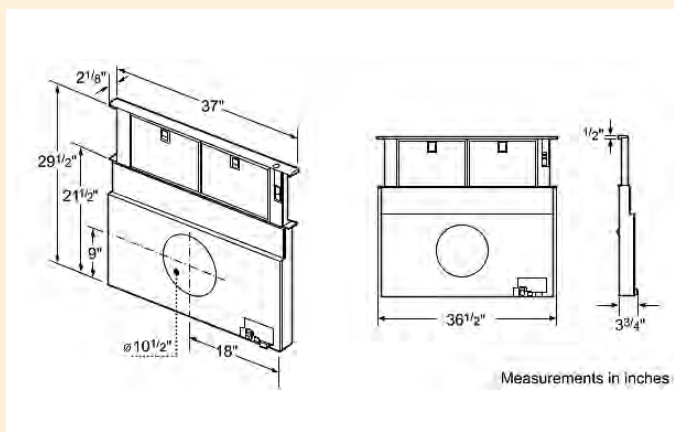


DHD3614UC

Features & Benefits

- Choose from external, inline or integrated blowers
- Design matches Bosch's cooking Line
- Three power levels offer a full range of ventilation options
- Easy to use front controls
- Filter raises 14" to capture steam from tallest pots

Dimensions:



Product Name	36" Downdraft
Model Number	DHD3614UC
Available Sizes (Width)	30", 36"
Downdraft Dimensions	37"W x 29 1/2"H x 4 1/4" x 3 3/4"D
Telescopic Intake	14"
Color / Finish	Brushed Stainless Steel
Installation Type	Wall or Island behind Cooktop
Blower Type	Purchased Separately

Product Information	
Duct Size at Discharge	6" Round
Ducting Direction	Down, Left, or Right
Filter Type	Full-face Mesh
Number of Dishwasher Safe Filters	2
Recirculation Kit	Kit Sold Separately (DHDRM36UC)
Control Type	Front Slide Control
Fan Speeds	3

Motor Information	
Required Power Supply	15 Amps (min) 120 VAC, 60 Hz

Blower Options	Purchased Separately
Remote Wall or Roof mounting	DHZDHR6 Transition Required
DHG6023UC	14 3/8"W x 19"H x 10 3/4"D
Inline	DHZDHR6 Transition Required
DHG6015DUC	14 3/8"W x 12 3/4"H x 9 7/8"D
Integrated	
DHG601DUC	15 1/8"W x 14 3/8"H x 6 3/4"D

Blower Installation Accessories	Purchased Separately
Transition for Remote or Inline blowers DHZDHR6	15 1/8"W x 14 3/8"H x 6 3/4"D
Downdraft Recirculation Module	DHDRM36UC

For more information on our entire line of products, go to boschappliances.com or call 1-800-944-2904.

Copyright ©2008 BSH Home Appliances Corporation. All rights reserved. Bosch is a registered trademark of Robert Bosch GmbH.