



## 30-INCH HOOD LINER

DHD30U790L



### AVAILABLE MODELS

DHD30U790LS Silver Stainless

### FEATURES & BENEFITS

- Four-speed fan provides great performance while minimizing noise.
- Dishwasher-friendly baffles for easy cleanup.
- Strip LED lighting provides energy efficiency and a bright cooking area.
- Auto-On turns hood on automatically if high temperatures are sensed.
- Internal blower for easy installation.
- Noise dampening system provides a quieter experience.

### CONTROL FEATURES

FAN SPEEDS	4 (3 STEP + BOOSTER)
CONTROL TYPE	KNOBS
AUTO SENSING	YES (HEAT SENSOR)
LOCATION	FRONT - CENTER

### ADDITIONAL FEATURES

FILTER TYPE	PROFESSIONAL BAFFLE
REMOVABLE FILTER	YES
LIGHTING	STRIP LED OF 19-11/16"

### PERFORMANCE

CFM	390 CFM (600 CFM)
-----	-------------------

### TECHNICAL DETAILS

CIRCUIT BREAKER (A)	15
VOLTS (V)	120
FREQUENCY (HZ)	60
ENERGY SOURCE	ELECTRIC

### DIMENSIONS & WEIGHT

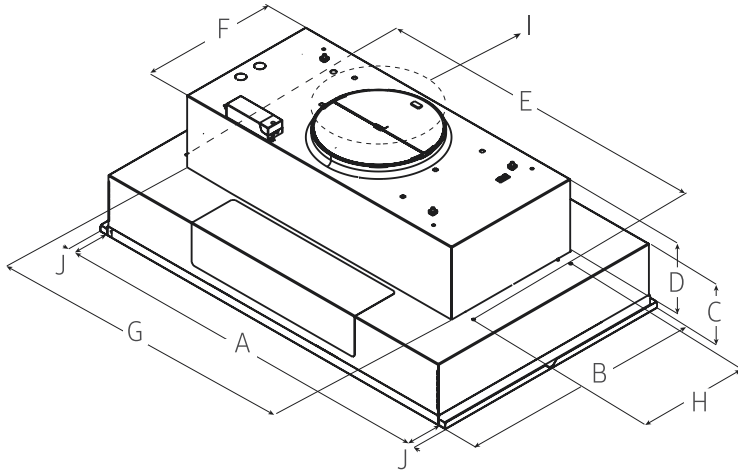
APPLIANCE DIMENSIONS (W X H X D) (IN.)	30 X 5-7/16 X 22
--	------------------

### WARRANTY

LIMITED, PARTS AND LABOR	2 YEARS
--------------------------	---------

# dacor

## 30-INCH HOOD LINER



### APPLIANCE DIMENSIONS

30"

A	28-1/2" (72.1 CM)
B	22" (55.9 CM)
C	5-7/16" (13.8 CM)
D	6-1/2" (16.4 CM)
E	22" (56 CM)
F	12-7/16" (31.4 CM)
G	24-5/16" (61.8 CM)
H	10-1/8" (25.7 CM)
I	10" (25.4 CM)
J	3/4" (1.9 CM)

®/™ © 2022. Dimensions are for planning purposes only. For complete details, see Installation Instructions packed with product. Specifications subject to change without notice. For product questions, visit [www.dacor.com](http://www.dacor.com) or call Customer Assurance at (833) 83-ELITE.

Appliance must be enable iQ Control. Wi-Fi & SmartThings\* app required. Compatible smart appliance required. Features subject to change. Details and privacy info at <https://www.dacor.com/about-us/privacy-policy>.