



Counter Depth, Side by Side Refrigerator

PRODUCT MODEL NUMBERS

GC3PHEXN GC5CHAXN
 GC3SHEXN GC5SHEXN
 GC5THEXN

Electrical: A 115-volt, 60 Hz, AC-only, 15 or 20 amp, fused, electrical supply is required. A time-delay fuse or circuit breaker is recommended. It is recommended that a separate circuit serving only this appliance be provided.

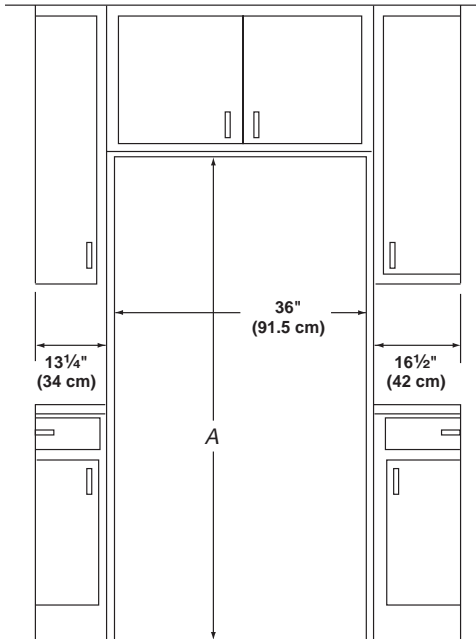
Water Supply: A cold water supply with water pressure of between 30 and 120 psi is required to operate the water dispenser and ice maker.

If a reverse osmosis water filtration system is connected to your cold water supply, the water pressure to the reverse osmosis system needs to be a minimum of 40 to 60 psi.

The cabinet depth refrigerator can be installed into a recessed opening, at the end of cabinets or as a freestanding refrigerator.

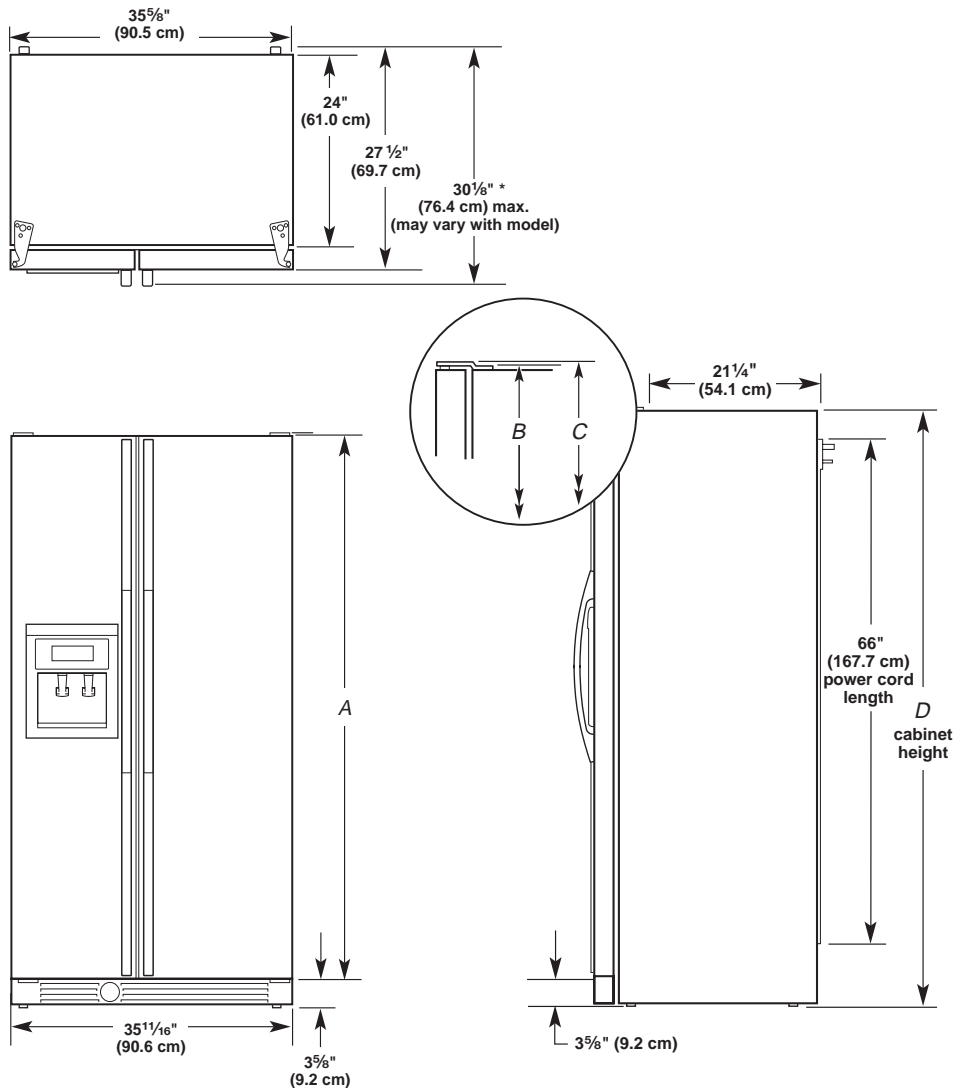
Do not install the refrigerator near an oven, radiator, or other heat source, nor in a location where the temperature will fall below 55°F.

CABINET OPENING DIMENSIONS



Model size	Height "A" Standard Cabinet	Height "A" Overlay cabinet
23 cu.ft.	69" (175.3 cm)	69 1/8" (175.6 cm)
25 cu.ft.	72" (182.9 cm)	72 1/8" (183.2 cm)

OVERALL DIMENSIONS



Model size	Door Height "A"	"B"	"C"	"D"
23 cu.ft.	64 7/8" (164.8 cm)	68 3/4" (174.6 cm)	68 7/8" (175.0 cm)	68 1/2" (174.0 cm)
25 cu.ft.	67 3/4" (172.1 cm)	71 3/4" (182.2 cm)	71 7/8" (182.5 cm)	71 1/2" (181.6 cm)

DOOR SWING DIMENSIONS

