

DGC 7585 XXL 30" Combi-Steam Oven, Plumbed - ContourLine

Features:

- Combi-Steam Ovens: Steam ovens with full fledged oven function
- DirectWater Plus - water and drain plumbed in
- XXL Cooking Compartment - Large enough to cook complete menus for up to 10 people
- M-Touch S Display with Motion React - Simple to use touch controls that react when approached
- Roast Probe - Precise temperature control of food
- Mix & Match - use your Miele@home app or the WiFi enabled appliance to create recipes for full meals

Included:

- 1 Universal Tray with Perfect Clean
- 1 Wire rack with Perfect Clean
- 1 perforated stainless steel containers
- 1 solid stainless steel container

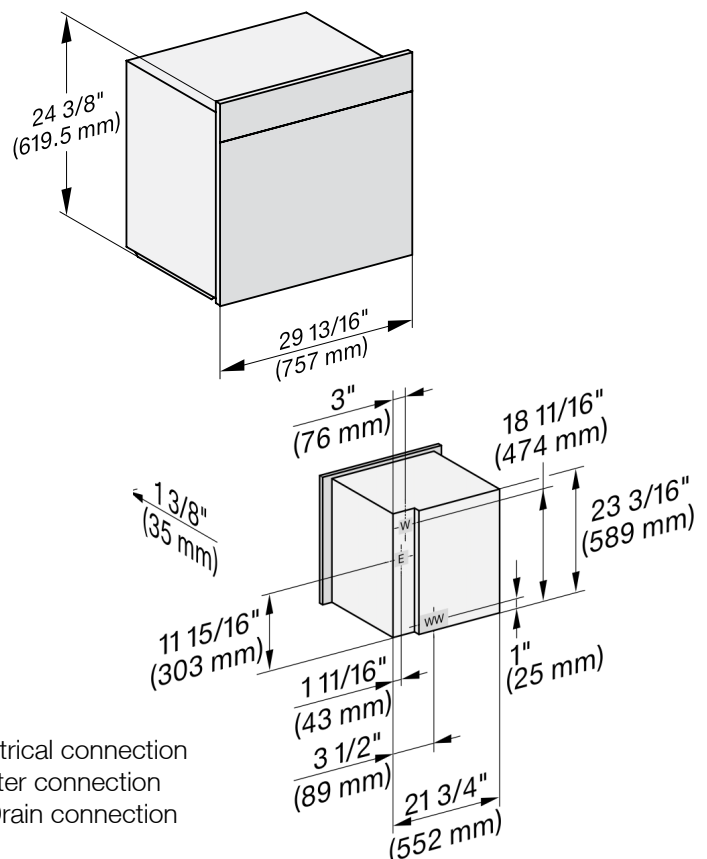


MATERIAL

11875850

SPECIFICATIONS	
Overall Unit Dimensions	29 ¹³ / ₁₆ " (757 mm) W x 24 ³ / ₈ " (619.5 mm) H x 23 ¹ / ₈ " (587 mm) D
Niche	
Minimum Cabinet Niche Opening	28 ¹ / ₂ " (724 mm) W x 24" (610 mm) H x 24" (610 mm) D
Plumbing	
Water Supply Requirements	<ul style="list-style-type: none"> • Cold water connection • Male 1/4" compression fitting • Water pressure range 14.5 psi (1 bar) and 87 psi (6 bar)
Water Connection Line (Supplied)	Length: 6' 6" (2 m) Female 1/4" compression.
Drain Hose (Supplied)	Length: 9' 10" (3 m) 7/8" (22 mm) internal diameter
Electrical	
Electrical Requirements	208V/240V, 60Hz, 20 Amps
Power Cord	NEMA 6-20 plug, 6' 6" (2 m)
Shipping	
Shipping Weight	159 lbs (72 kg)
Shipping Dimensions	28 ⁵ / ₈ " (726 mm) W x 29 ¹ / ₄ " (743 mm) H x 32 ¹ / ₂ " (825 mm) D

PRODUCT DIMENSIONS

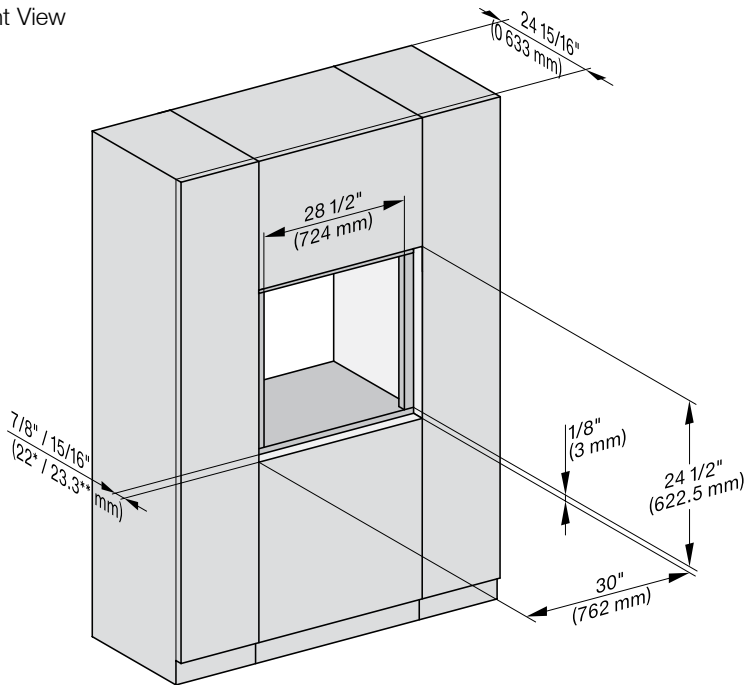


E = Electrical connection
W = Water connection
WW = Drain connection

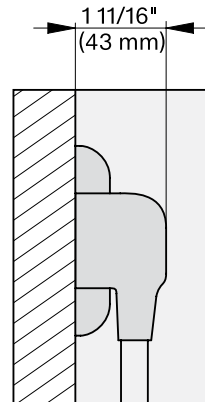
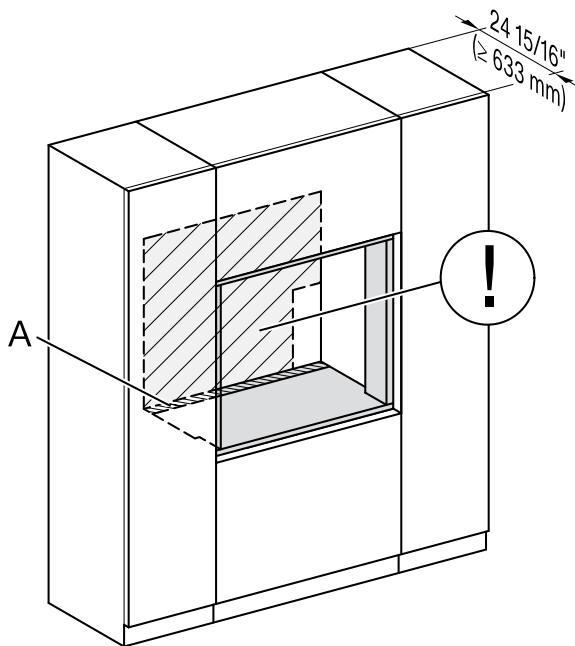
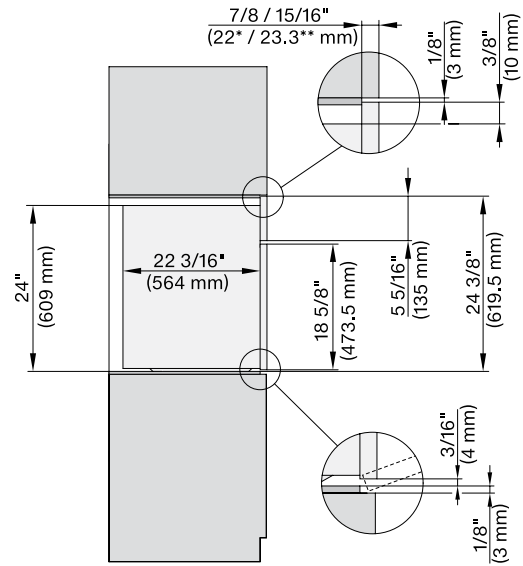
*Information subject to change

FLUSH CUTOUT DIMENSIONS

Front View



Side View



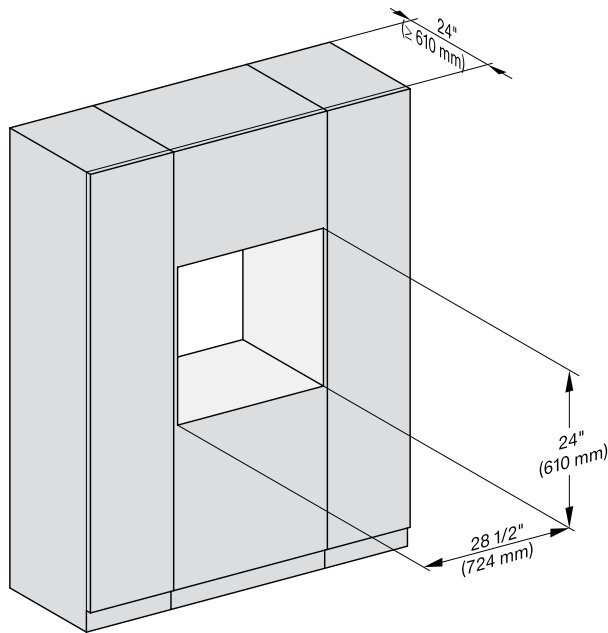
A - Cut-out (4" x 28" [100 mm x 720 mm]) in the bottom of the cabinet for the power cord and Ventilation

ⓘ - Electrical and water supplies are recommended to be placed in adjacent cabinetry.

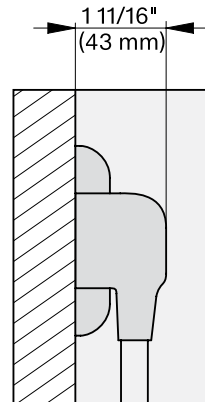
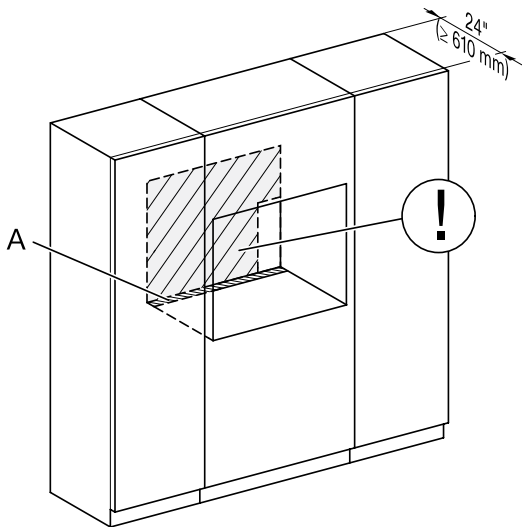
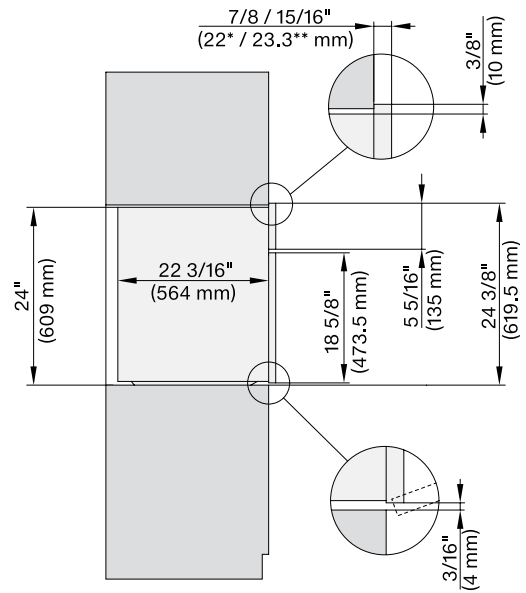
Additional cabinet depth is required when placing the electrical and water supplies behind the appliance.

PROUD CUTOUT DIMENSIONS

Front View



Side View



A - Cut-out (4" x 28" [100 mm x 720 mm]) in the bottom of the cabinet for the power cord and Ventilation

⚠ - Electrical and water supplies are recommended to be placed in adjacent cabinetry.

Additional cabinet depth is required when placing the electrical and water supplies behind the appliance.