

DGC 7440 XL - Graphite Grey 24" Combi-Steam Oven - VitroLine

Features:

- Combi-Steam Ovens: Steam ovens with full fledged oven function
- Lift up panel - conveniently stores the water containers
- Dual Steam - quickly and evenly distribute steam for perfect cooking results
- Mix & Match - use your Miele@home app or the WiFi enabled appliance to create recipes for full meals

Included:

- 1 Universal Tray with Perfect Clean
- 1 Wire rack with Perfect Clean
- 1 perforated stainless steel container
- 1 solid stainless steel container

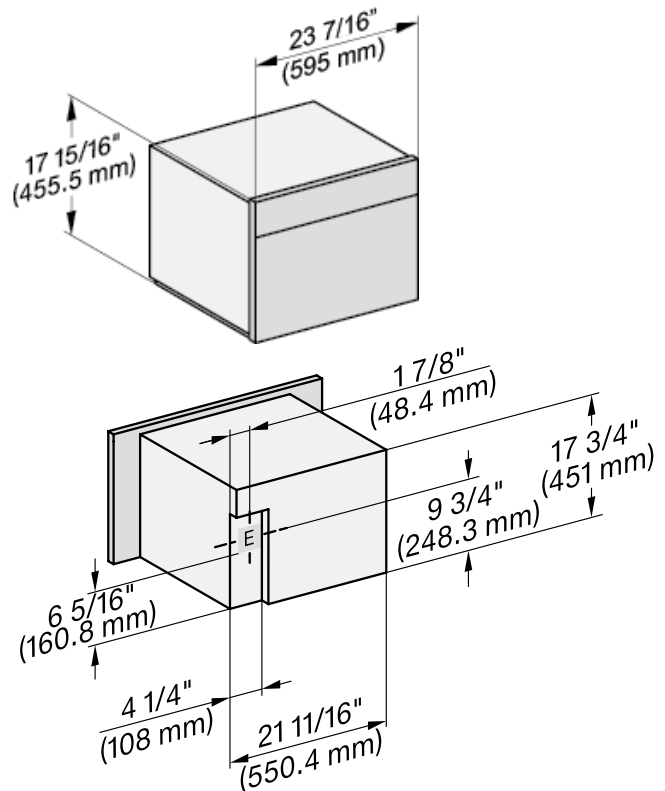


MATERIAL

11876960

| SPECIFICATIONS | |
|-------------------------------|--|
| Overall Unit Dimensions | 23 ⁷ / ₁₆ " (595 mm) W x 17 ¹⁵ / ₁₆ " (455.5 mm) H x 23 ¹ / ₄ " (590 mm) D |
| Niche | |
| Minimum Cabinet Niche Opening | 22 ¹ / ₂ " (562 mm) W x 17 ¹¹ / ₁₆ " (450 mm) H x 24" (610 mm) D |
| Electrical | |
| Electrical Requirements | 208 - 240V, 60Hz, 20 Amps |
| Power Cord | NEMA 6-20 plug, 5 ft (1.52 m) |
| Shipping | |
| Shipping Weight | 128 lbs (58 kg) |
| Shipping Dimensions | 27 ⁷ / ₁₆ " (697 mm) W x 23 ⁷ / ₁₆ " (595 mm) H x 26 ¹ / ₁₆ " (677 mm) D |

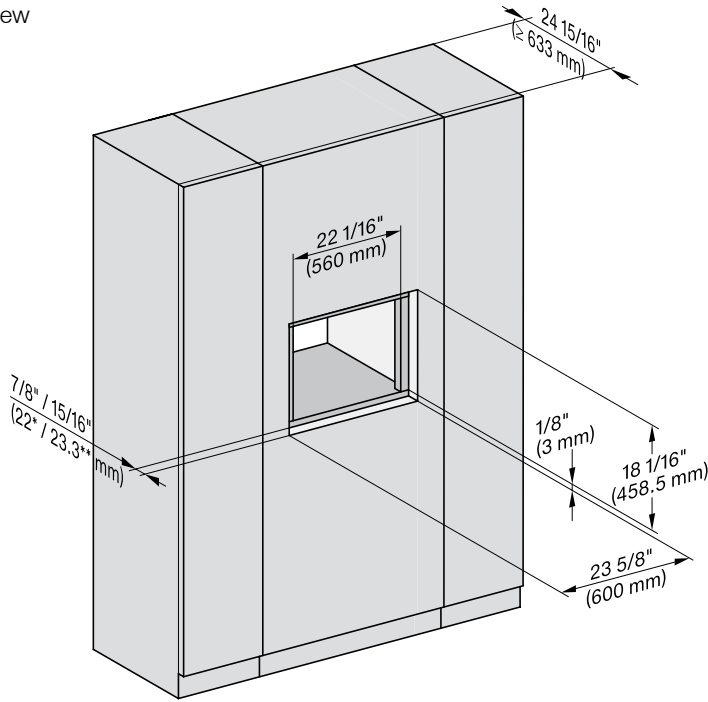
PRODUCT DIMENSIONS



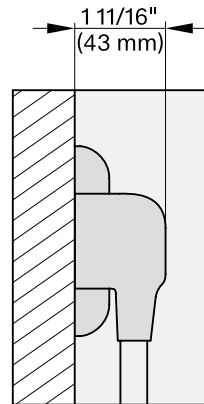
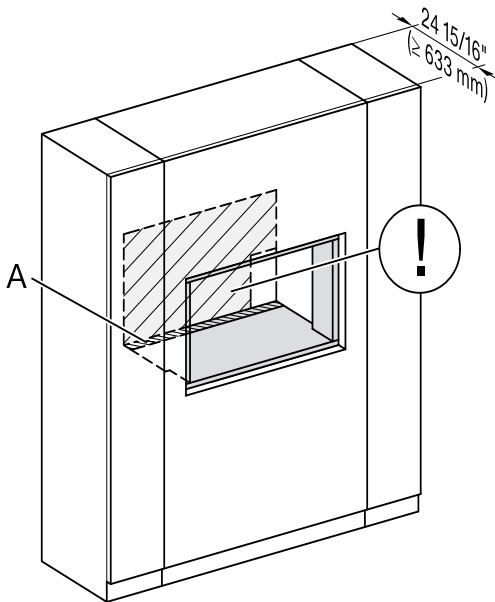
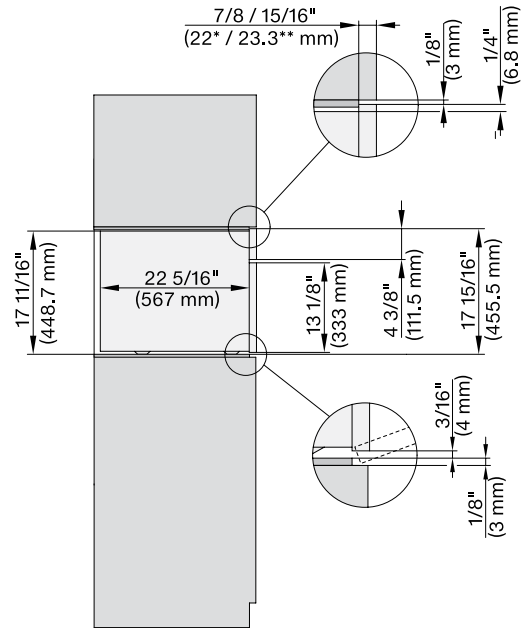
E = Electrical connection

FLUSH CUTOUT DIMENSIONS

Front View



Side View



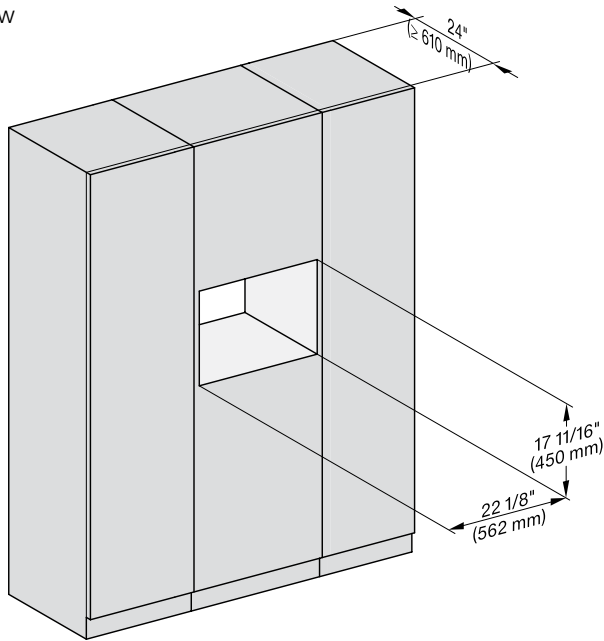
A - Cut-out (4" x 28" [100 mm x 720 mm]) in the bottom of the cabinet for the power cord and Ventilation

ⓘ - Electrical and water supplies are recommended to be placed in adjacent cabinetry.

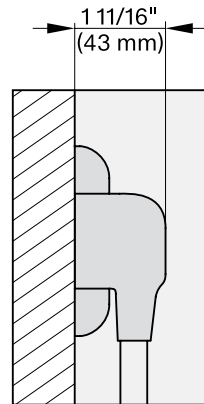
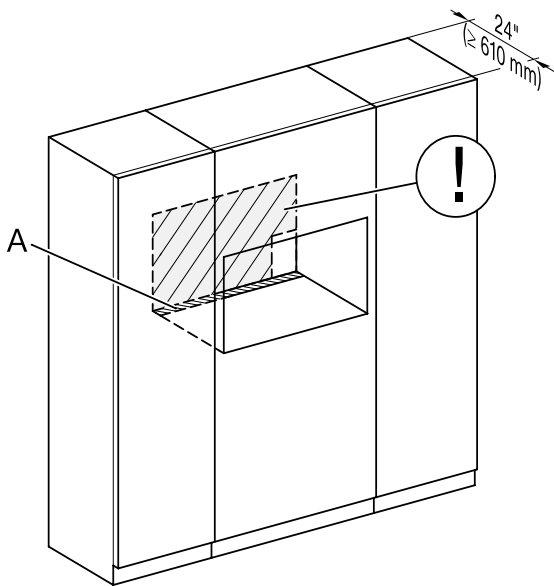
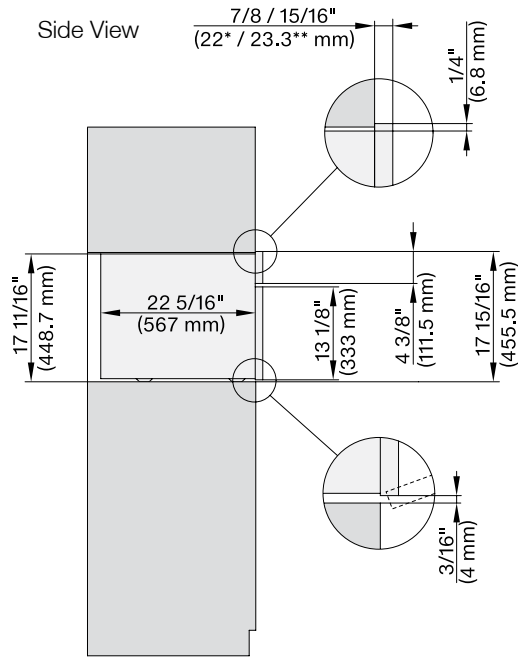
Additional cabinet depth is required when placing the electrical and water supplies behind the appliance.

PROUD CUTOUT DIMENSIONS

Front View



Side View



A - Cut-out (4" x 28" [100 mm x 720 mm]) in the bottom of the cabinet for the power cord and Ventilation

ⓘ - Electrical and water supplies are recommended to be placed in adjacent cabinetry.

Additional cabinet depth is required when placing the electrical and water supplies behind the appliance.