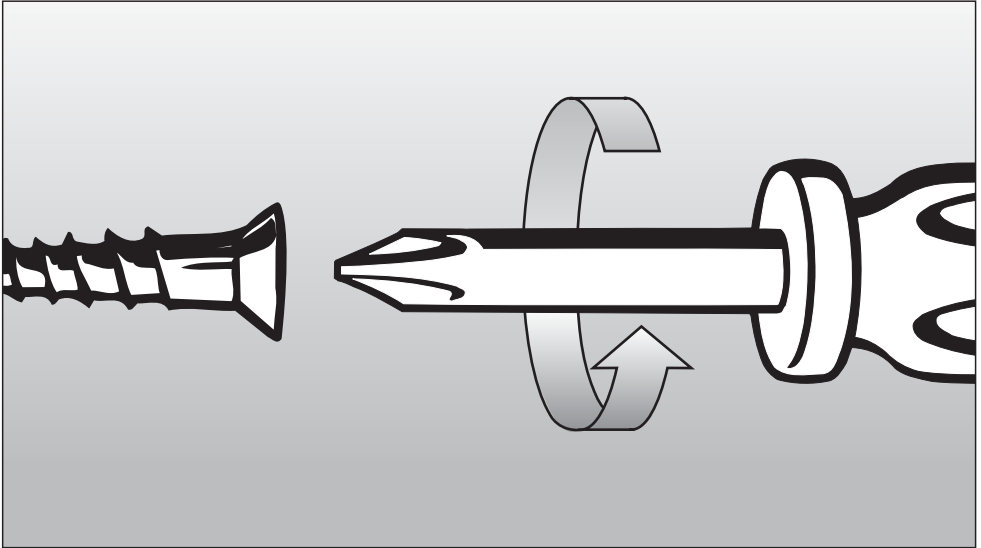


Installation Instructions



Combi-Steam Oven DGC 4084 XL DGC 4086 XL

To prevent accidents
and appliance damage
read these instructions

before

installation or use.


en - US, CA

M.-Nr. 09 064 870

Contents

IMPORTANT INSTALLATION SAFETY INSTRUCTIONS	3
Installation	4
Cut-out for venting the combi-steam oven	6
Appliance and installation dimensions	8
Installation in a tall cabinet	8
Installation under a countertop	9
Installation in combination with an oven	10
Installation in combination with ESW 408x-14	11
Installation in combination with ESW 408x-14 BRWS	12
Installing the appliance	13
Electrical connection	14

IMPORTANT INSTALLATION SAFETY INSTRUCTIONS

 **WARNING** - Read all instructions before installation or use of the steam oven to prevent injury and machine damage.

- ▶ Installation, repair and maintenance work should be performed by a Miele authorized service technician. Work by unqualified persons could be dangerous.
- ▶ Before installation make sure that the voltage and frequency listed on the data plate correspond with the household electrical supply. This data must correspond to prevent injury and machine damage. Consult a qualified electrician if in doubt.
- ▶ Before installation, check the appliance for visible signs of damage. Do not install or operate a damaged unit.
- ▶ Do not operate any appliance with a damaged cord or plug or if the appliance has been damaged in any manner.
- ▶ Before installation or service, disconnect the power supply to the work area by removing the fuse, "tripping" the circuit breaker or switching off the power main. Ensure that power is not restored to the appliance during maintenance or repair work.
- ▶ Do not tamper with electrical connections and components or mechanical parts. Never open the outer casing of the appliance.

- ▶ Be certain your appliance is properly installed and grounded by a qualified technician. To guarantee the electrical safety of this appliance, continuity must exist between the appliance and an effective grounding system. It is imperative that this basic safety requirement be met. If there is any doubt, have the electrical system of the house checked by a qualified electrician.
- ▶ Do not use an extension cord to connect this appliance to electricity. Extension cords do not guarantee the required safety of the appliance, (e.g. danger of overheating).
- ▶ Make sure that the outlet is easily accessible after installation of the appliance.
- ▶ This appliance must not be used in a non-stationary location (e.g. on a ship).
- ▶ The appliance must be installed so that the user can access all cooking levels and containers. Otherwise you may risk scalding or burning yourself with hot water and food when taking containers out of the oven.
- ▶ Keep these operating instructions in a safe place and pass them on to any future user.

Note to the installer:

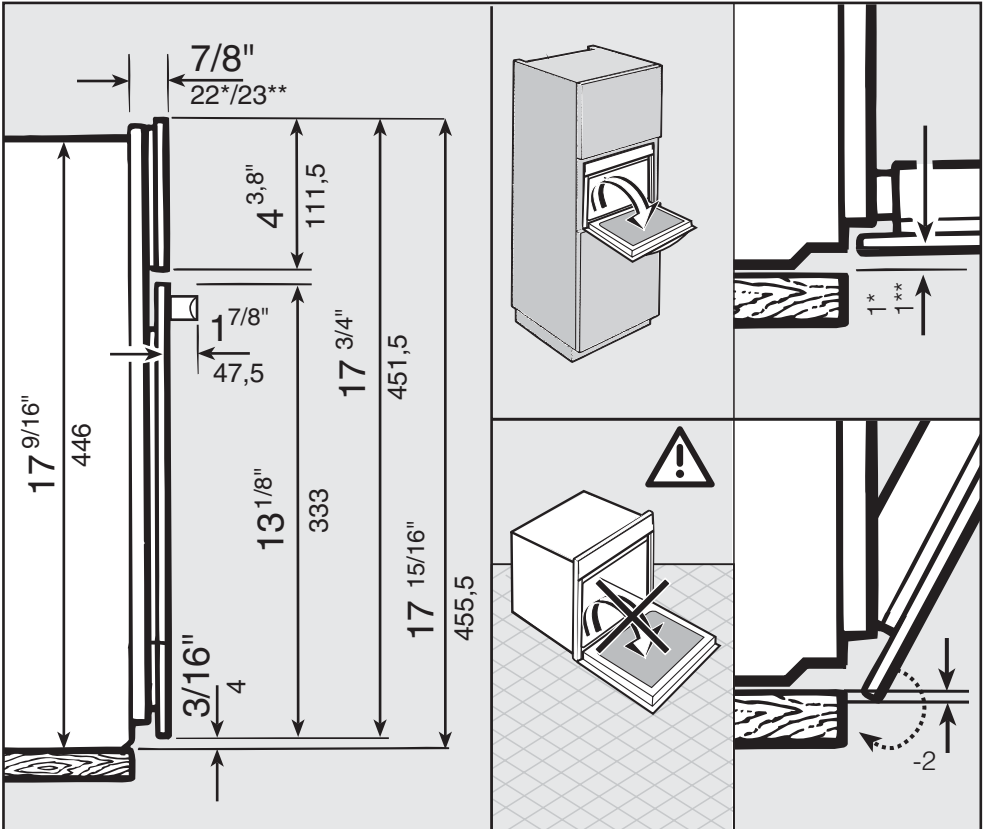
Please leave these instructions with the consumer of the appliance for the local building inspectors use.

SAVE THESE INSTRUCTIONS

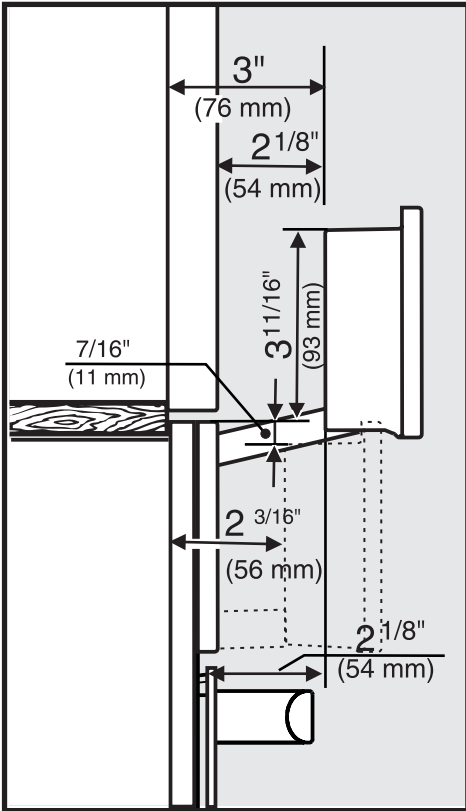
Installation

Miele appliances can be installed flush or proud. Discuss your installation requirements with your architect, designer or installer.

Dimension details of the appliance front



Dimension to allow the control panel to open and close

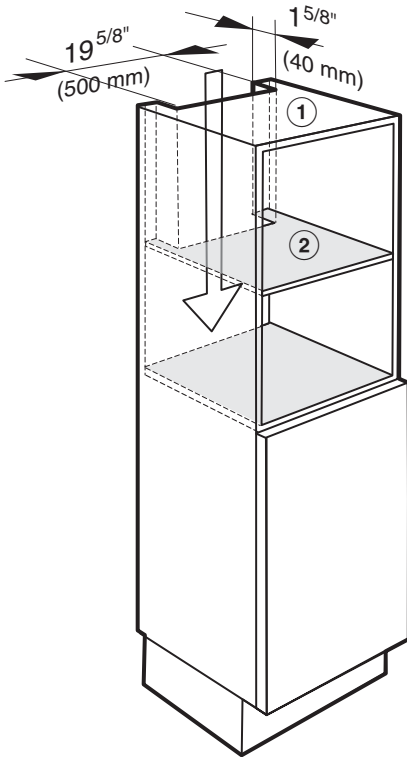


The area in front of the control panel must not be blocked by anything (such as a door handle) this would hinder the control panel from opening and closing.

Installation

Cut-out for venting the combi-steam oven

Installation in a tall cabinet

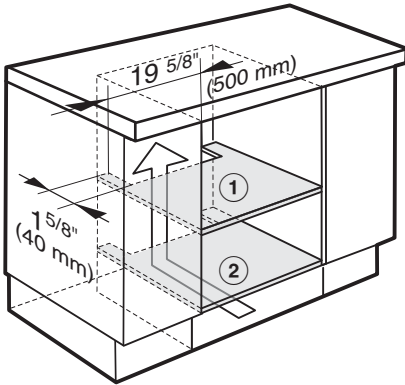


To ensure that the combi-steam oven has adequate ventilation, the following cut-outs measuring $19 \frac{11}{16}" \times 1 \frac{9}{16}"$ (500 x 40 mm) must be provided:

- ① in the top of the cabinet
- ② in the center shelf above the installation niche

If **installing in combination with an oven** please refer to the installation instructions included with the oven for oven venting instructions.

Installation under a countertop

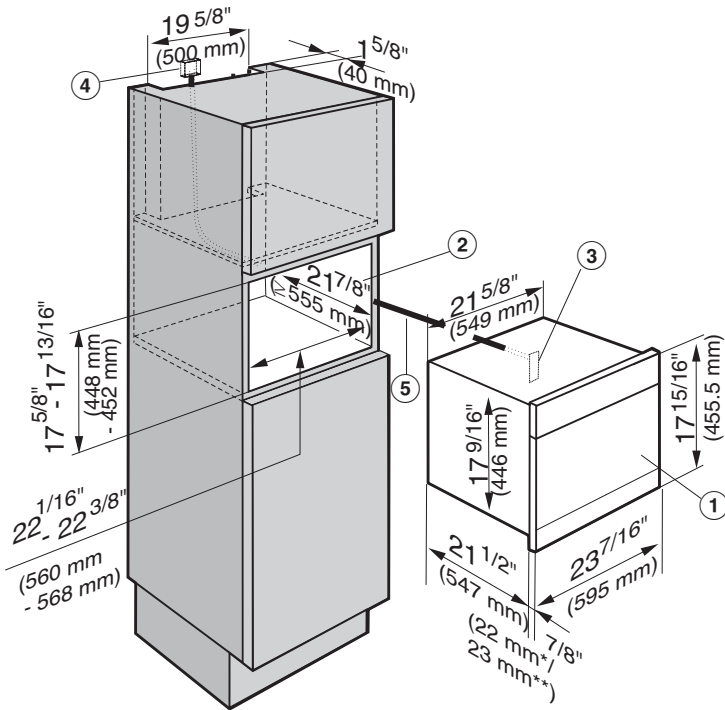


To ensure that the combi-steam oven has adequate ventilation, the following cut-outs measuring $19 \frac{11}{16}'' \times 1 \frac{9}{16}''$ (500 x 40 mm) must be provided:

- ① in the appliance support shelf
- ② in the bottom of the cabinet space below it

Appliance and installation dimensions

Installation in a tall cabinet



① Combi-steam oven

② Installation niche

③ Terminal block

④ Outlet or junction box

This should be accessible after the appliance has been installed.

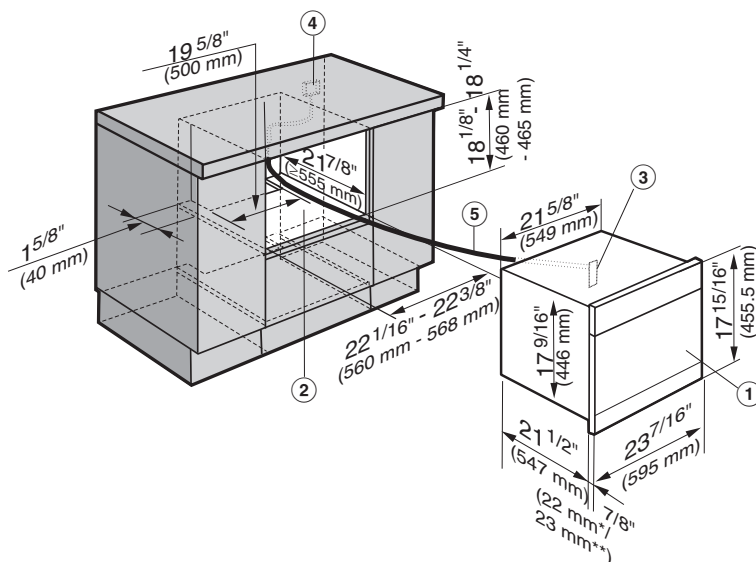
⑤ Power cord (5 ft.)

* Appliances with glass front / ** Appliances with metal front

Appliance and installation dimensions

Installation under a countertop

If the appliance is to be installed under a cooktop, observe the installation instructions for the cooktop and its installation height.



① Combi-steam oven

② Installation niche

③ Terminal block

④ Outlet or junction box

This should be accessible after the appliance has been installed.

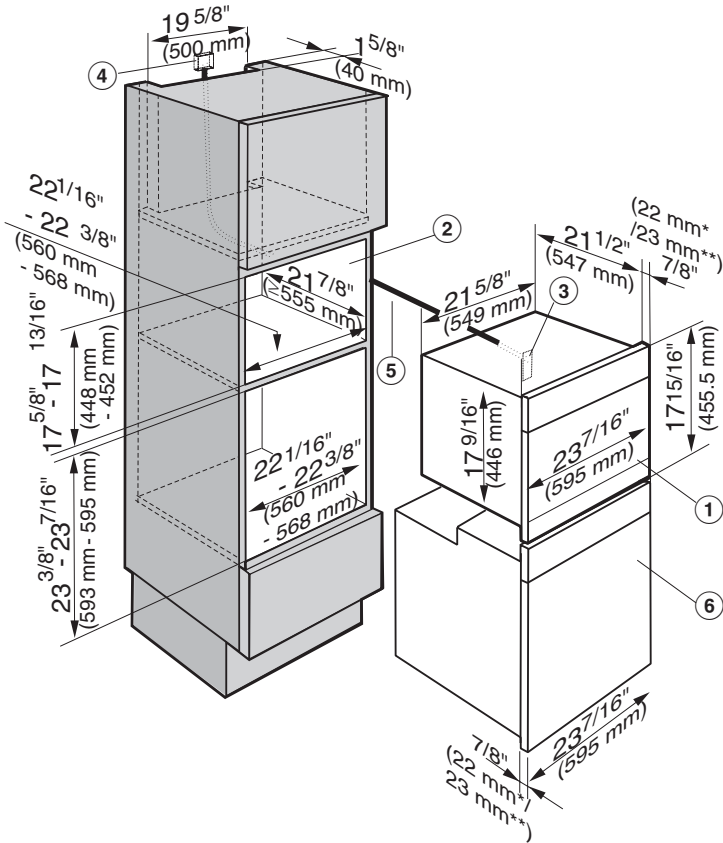
⑤ Power cord (5 ft.)

* Appliances with glass front / ** Appliances with metal front

See the "Dimension to allow the control panel to open and close" section of this manual to ensure the countertop will not hinder the control panel from opening and closing.

Appliance and installation dimensions

Installation in combination with an oven



① Combi-steam oven

② Installation niche

③ Terminal block

④ Outlet or junction box

This should be accessible after the appliance has been installed.

⑤ Power cord (5 ft.)

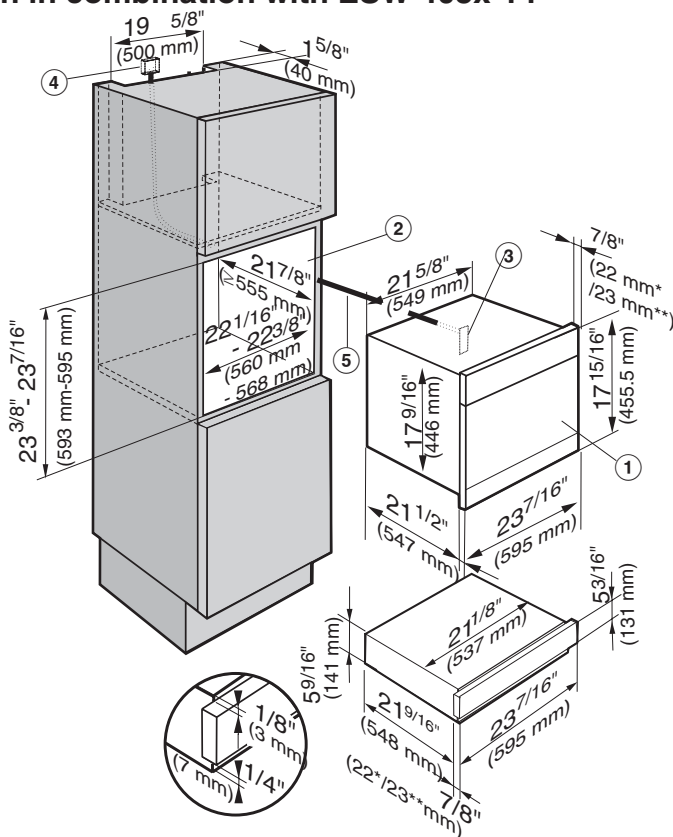
⑥ Oven

* Appliances with glass front / ** Appliances with metal front

See the "Cut-out for venting the combi-steam oven" section of this manual for more information on venting the combi-steam oven.

Appliance and installation dimensions

Installation in combination with ESW 408x-14



① Combi-steam oven

② Installation niche

③ Terminal block

④ Outlet or junction box

This should be accessible after the appliance has been installed.

⑤ Power cord (5 ft.)

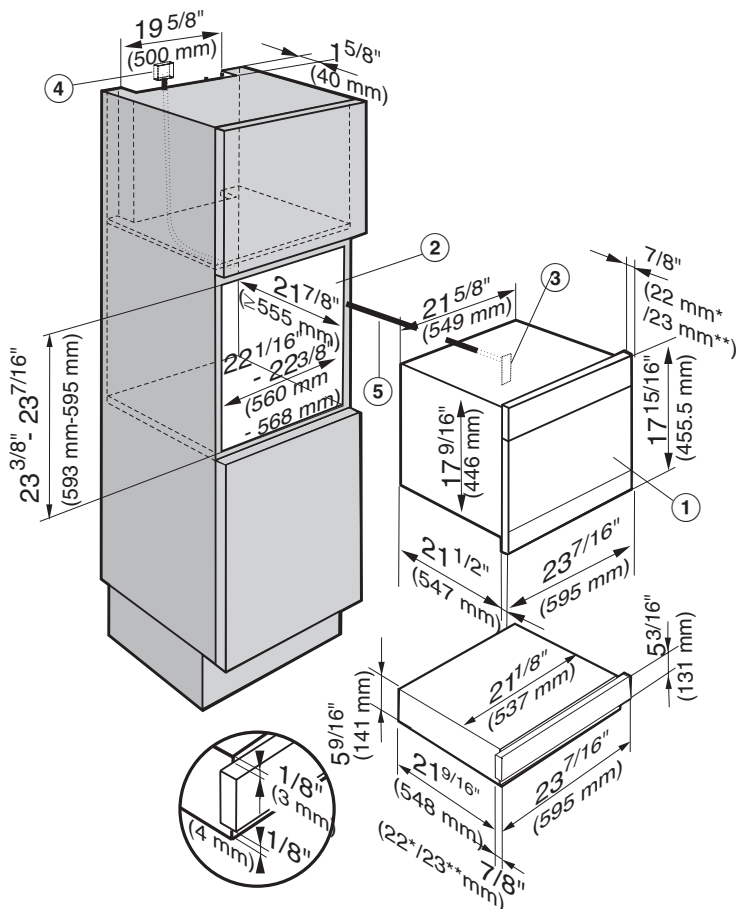
⑥ Built-in plate warmer / built-in food warmer

* Appliances with glass front / ** Appliances with metal front

See the "Cut-out for venting the combi-steam oven" section of this manual for more information on venting the combi-steam oven.

Appliance and installation dimensions

Installation in combination with ESW 408x-14 BRWS



① Combi-steam oven

② Installation niche

③ Terminal block

④ Outlet or junction box

This should be accessible after the appliance has been installed.

⑤ Power cord (5 ft.)

⑥ Built-in plate warmer / built-in food warmer

* Appliances with glass front / ** Appliances with metal front

See the "Cut-out for venting the combi-steam oven" section of this manual for more information on venting the combi-steam oven.

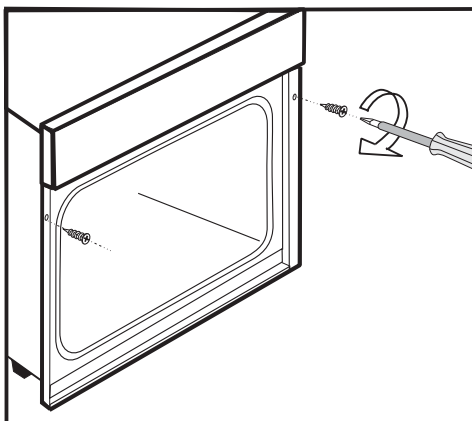
Appliance and installation dimensions

Installing the appliance


- Push the appliance into the cabinet niche and align it.

The device must be level, so that the steam generator can operate properly.
Deviation from a horizontal position should not exceed 2°.

- Secure the appliance by screwing the two 3.5 x 25 mm wood screws (supplied) into the vertical strips on either side of the housing.



Electrical connection

 **CAUTION:** Before installation or servicing, disconnect the power supply by either removing the fuse, shutting off the main power or manually "tripping" the circuit breaker.

Installation work and repairs should only be performed by a qualified technician in accordance with all applicable codes and standards. Repairs and service by unqualified persons could be dangerous.

Before connecting the appliance to the power supply, make sure that the voltage and frequency listed on the rating label correspond with the household electrical supply. This data must correspond to prevent appliance damage.

Only operate the appliance after it has been installed.

If there is any question concerning the electrical connection of this appliance to your power supply, please consult a licensed electrician or contact Miele's Technical Service Department.

Installer:
Please leave these instructions with the consumer.

Power supply

Installation, repairs and other work by unqualified persons could be dangerous.

- Be sure your electrical supply matches the data plate.

The appliance is equipped with a 5 ft. (1.5 m) flexible power cord encasing 3 wires ready for hardwiring to a 240 V, 20 A, 60 Hz grounded power supply.

It must be connected to a dedicated line through the use of an approved junction box.


A disconnection incorporated in the fixed wiring must be provided. There must be an all-pole contact gap of at least 3 mm in the isolator switch (including switch, fuses and relays).

Black wire: connect to L1 (hot)

Red wire: connect to L2 (hot)

Green wire: connect to GND (ground)

For further information, see the wiring diagram provided with the appliance.

 **WARNING:**
THIS APPLIANCE MUST BE GROUNDED!

Please have the model and serial number of your appliance available before contacting Technical Service.



**U.S.A.
Miele, Inc.**

National Headquarters

9 Independence Way
Princeton, NJ 08540
Phone: 800-843-7231
609-419-9898
Fax: 609-419-4298
www.mieleusa.com

**Technical Service & Support
Nationwide**

Phone: 800-999-1360
Fax: 888-586-8056

TechnicalService@mieleusa.com

**Canada
Miele Limited**

Headquarters and Showroom

161 Four Valley Drive
Vaughan, ON L4K 4V8
Phone: 800-643-5381
Fax: 905-532-2290
www.miele.ca
professional@miele.ca
(commercial enquiries)

MieleCare National Service

Phone: 800-565-6435
905-532-2272
Fax: 905-532-2292
customercare@miele.ca
(general and technical enquiries)



www.miele-shop.com