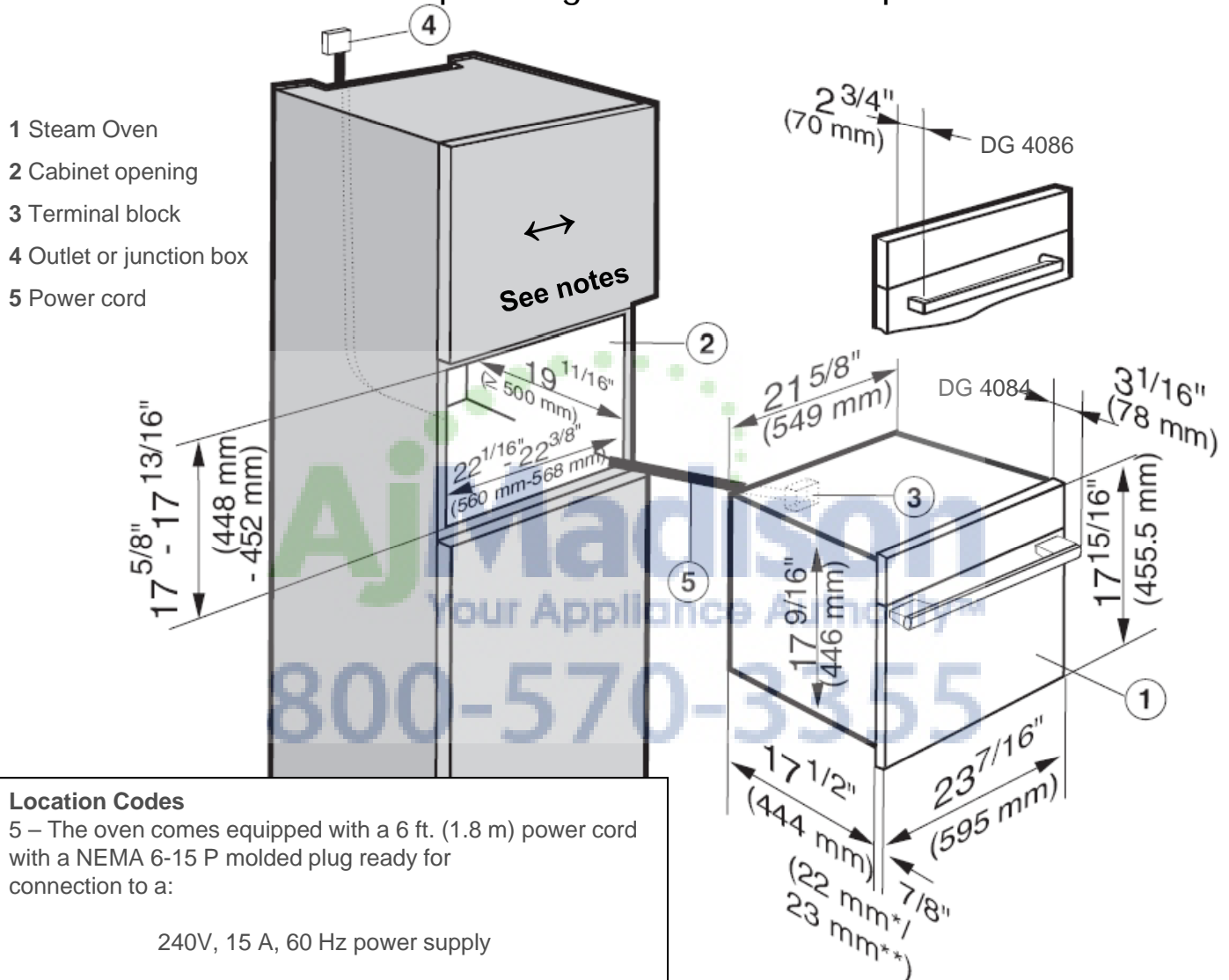


## Product and Cut-out Dimensions

### Convection Steam Oven

DG 4084 MasterChef Classic Design with DS 4045 Signature Series Handle

DG 4086 MasterChef Europa Design with DS 4043 Square Series Handle



#### Location Codes

5 – The oven comes equipped with a 6 ft. (1.8 m) power cord with a NEMA 6-15 P molded plug ready for connection to a:

240V, 15 A, 60 Hz power supply

4 – 2 1/2" minimum hole size for plug. Outlet to be installed in adjacent cabinetry

#### Notes

Width with optional Classic EBA Trim Kits:

22996178USA **EBA 5470** 27 3/8" Width  
26" – 26 1/4" Cabinet Cutout

28 3/4" – 28 1/2" Cabinet Cutout

Width with optional Europa EBA Trim Kits:

22996191USA **EBA 5570** 27 3/8" Width  
26" – 26 1/4" Cabinet Cutout

22996192USA **EBA 5576** 29 13/16" Width

28 3/4" – 28 1/2" Cabinet Cutout

All installations must be done in accordance with local codes.

Miele appliances can be installed flush or proud. Discuss your installation requirements with your architect, designer and installer.

\* Appliances with glass front

Appliances with metal front

Varied thickness

**Note: Drawing is not to scale**

**Specification Sheets OJS 12202011**

## Product and Cut-out Dimensions

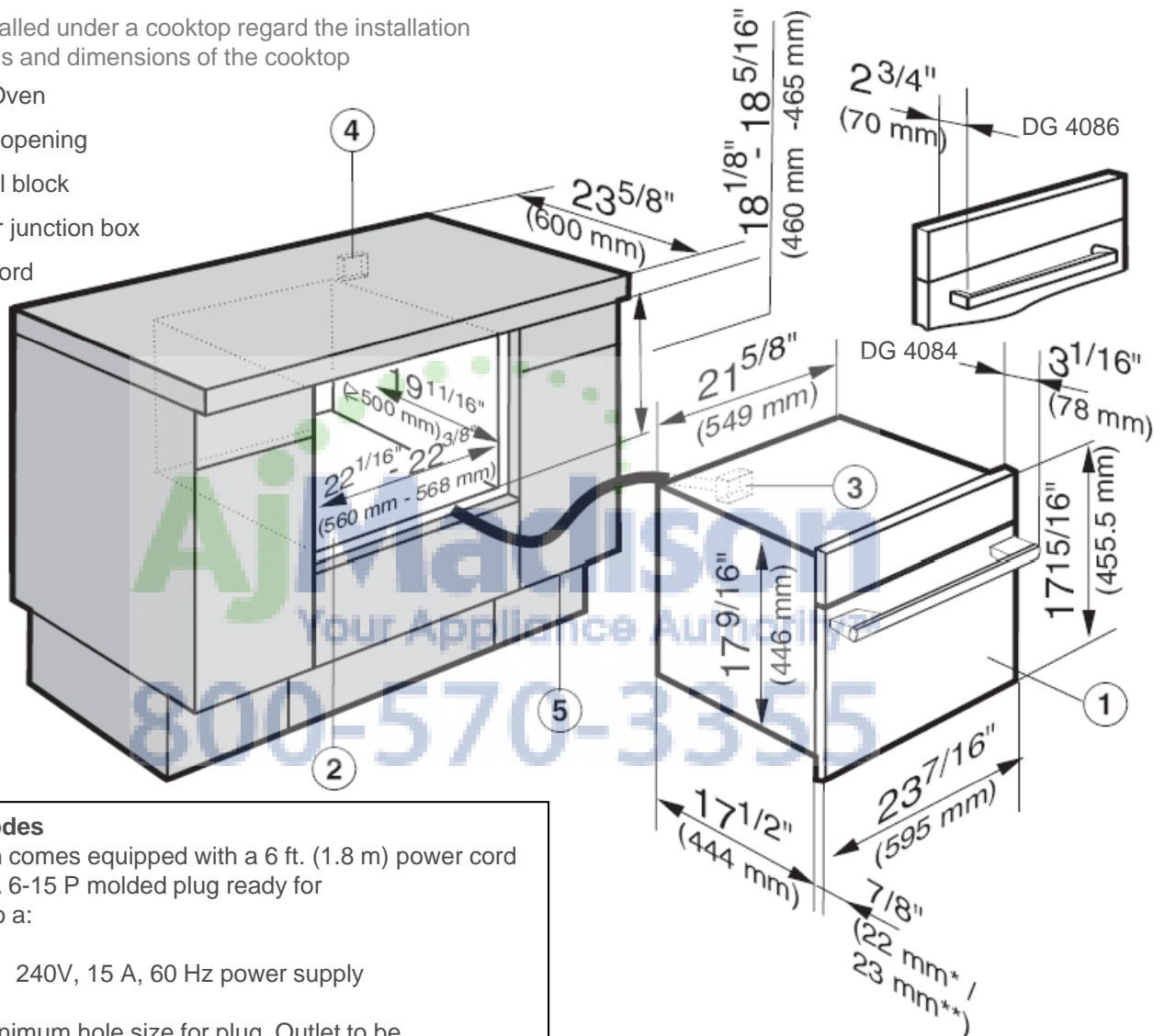
### Convection Steam Oven

DG 4084 MasterChef Classic Design with DS 4045 Signature Series Handle

DG 4086 MasterChef Europa Design with DS 4043 Square Series Handle

When installed under a cooktop regard the installation instructions and dimensions of the cooktop

- 1 Steam Oven
- 2 Cabinet opening
- 3 Terminal block
- 4 Outlet or junction box
- 5 Power cord



#### Location Codes

5 – The oven comes equipped with a 6 ft. (1.8 m) power cord with a NEMA 6-15 P molded plug ready for connection to a:

240V, 15 A, 60 Hz power supply

4 – 2 ½" minimum hole size for plug. Outlet to be installed in adjacent cabinetry

#### Notes

Width with optional Classic EBA Trim Kits:

22996178USA **EBA 5470** 27 3/8" Width  
26" – 26 ¼" Cabinet Cutout

28 ¾" – 28 ½" Cabinet Cutout

Width with optional Europa EBA Trim Kits:

22996191USA **EBA 5570** 27 3/8" Width  
26" – 26 ¼" Cabinet Cutout

22996192USA **EBA 5576** 29 13/16" Width  
28 ¾" – 28 ½" Cabinet Cutout

All installations must be done in accordance with local codes.

Miele appliances can be installed flush or proud. Discuss your installation requirements with your architect, designer and installer.

\* Appliances with glass front

Appliances with metal front

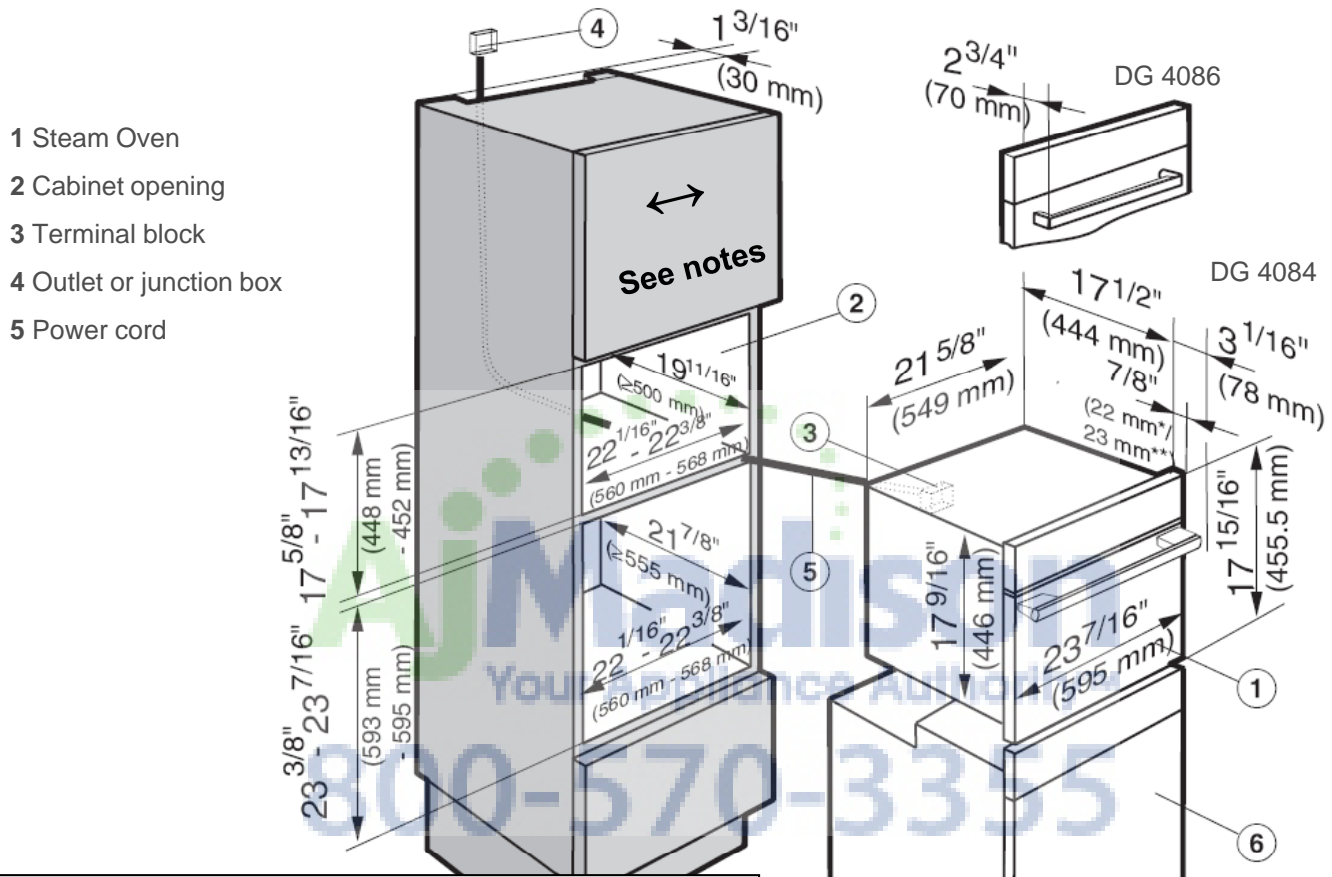
Varied thickness

**Note: Drawing is not to scale**

**Specification Sheets OJS 12202011**

## Product and Cut-out Dimensions Convection Steam Oven

DG 4084 MasterChef Classic Design with DS 4045 Signature Series Handle  
DG 4086 MasterChef Europa Design with DS 4043 Square Series Handle



**Location Codes**  
5 – The oven comes equipped with a 6 ft. (1.8 m) power cord with a NEMA 6-15 P molded plug ready for connection to a:

240V, 15 A, 60 Hz power supply

4 – 2 ½" minimum hole size for plug. Outlet to be installed in adjacent cabinetry

**Notes**  
Width with optional Classic EBA Trim Kits:  
22996178USA **EBA 5470** 27 3/8" Width  
26" – 26 ¼" Cabinet Cutout

28 ¾" – 28 ½" Cabinet Cutout

Width with optional Europa EBA Trim Kits:  
22996191USA **EBA 5570** 27 3/8" Width  
26" – 26 ¼" Cabinet Cutout

22996192USA **EBA 5576** 29 13/16" Width  
28 ¾" – 28 ½" Cabinet Cutout

All installations must be done in accordance with local codes.

Miele appliances can be installed flush or proud. Discuss your installation requirements with your architect, designer and installer.

\* Appliances with glass front  
Appliances with metal front  
Varied thickness

**Note: Drawing is not to scale**  
**Specification Sheets OJS 12202011**