



Model • Modèle • Modelo
DFF9102W/BL

For service, contact
your nearest service depot or call:
1-800-26D-anby
to recommend a depot in
your area.

Pour obtenir le service, consultez
votre succursale régionale de service
ou téléphonez:
1-800-26D-anby
qui vous recommandera un
centre régional.

Para servicio, comuníquese con su
Departamento de Servicios más
cercano o llame al:
1-800-26D-anby
para que le recomienden un
Departamento de Servicios
en su zona.

FROST FREE REFRIGERATOR

The model number of your refrigerator is found on the serial plate located on the back, top left-hand corner of the refrigerator.

All repair parts available for purchase or special order when you visit your nearest service depot. To request service and/or the location of the service depot nearest you, call the toll free number listed to the left in Canada and the U.S.

When requesting service or ordering parts, always provide the following information:

- Product Type
- Model Number

REFRIGERATEUR SANS GIVRE

Le numéro de modèle de votre réfrigérateur se trouve sur la plaque d'identification qui se trouve sur le coin du haut gauche de l'arrière du réfrigérateur.

Toutes les pièces de rechange sont disponibles immédiatement ou peuvent être commandées de votre Centre de Service régional. Pour obtenir le service et/ou le Centre de Service le plus proche, téléphonez le numéro sans-frais indiqué à gauche pour le Canada et les États-Unis.

Ayez les informations suivantes à la portée de la main lors de la commande de pièces ou service:

- Genre de produit
- Numéro de modèle

REFRIGERADOR SIN ESCARCHA

El número del modelo de su refrigerador se encuentra en la placa de serie ubicada en el ángulo posterior superior izquierdo del refrigerador.

Todas las piezas de repuesto se encuentran disponibles la para compra o por pedido especial cuando Ud. visite su departamento de servicio más cercano. Para solicitar servicio y/o la ubicación del departamento de servicio más cercano, llame al número de marcando gratis que aparece a la izquierda en el Canadá y en los E.U.

Cuando solicite servicio o encargue repuestos, siempre proporcione la siguiente información:

- Tipo de producto
- Número de modelo

Danby® *Designer*

OWNER'S MANUAL

**MANUEL
D'UTILISATION**

**MANUAL DEL
PROPIETARIO**

**Model • Modèle • Modelo
DFF9102W/BL**

CAUTION:

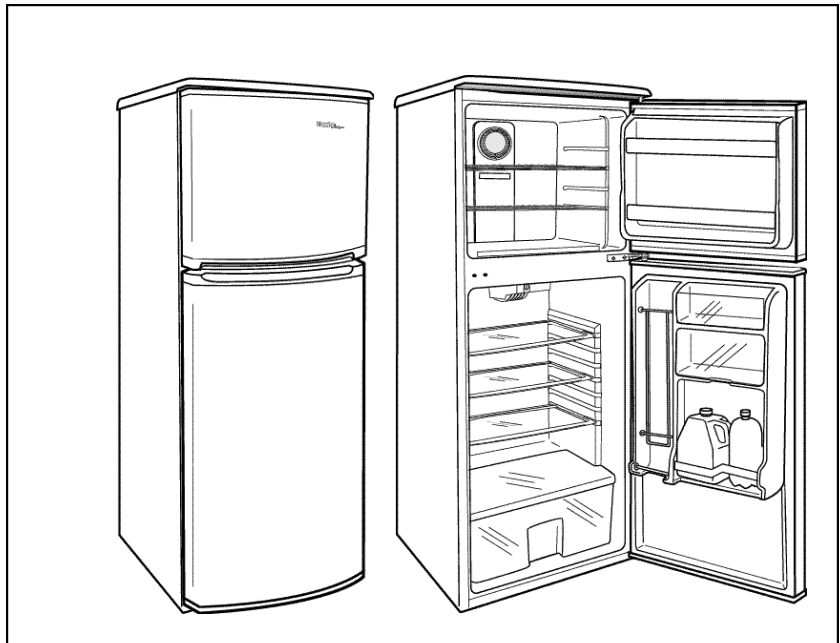
Read and follow all safety rules and operating instructions before first use of this product.

PRECAUTION:

Veuillez lire attentivement les consignes de sécurité et les instructions d'utilisation avant l'utilisation initiale de ce produit.

PRECAUCION:

Lea y observe todas las reglas de seguridad y las instrucciones de operación antes de usar este producto por primera vez.



FROST FREE REFRIGERATOR

Owner's Manual 1-5

- Safety Instructions
- Installation
- Operation
- Care and Maintenance
- Trouble Shooting

REFRIGERATEUR SANS GIVRE

Manuel d'utilisation 6-10

- Consignes de sécurité
- Instructions
- Fonctionnement
- Soins et entretien
- En cas de problème

REFRIGERADOR SIN ESCARCHA

Manual del propietario 11-15

- Instrucciones de seguridad
- Instalación
- Operación
- Cuidado y Mantenimiento
- Solución Sugerida



Danby® LIMITED PRODUCT WARRANTY

This quality product is warranted to be free from manufacturer's defects in material and workmanship, provided that the unit is used under the normal operating conditions intended by the manufacturer.

This warranty is available only to the person to whom the unit was originally sold by Danby or by an authorized distributor of Danby, and is non-transferable.

TERMS OF WARRANTY

Plastic parts (ie. evaporator door, door rails, covers and trays are warranted for thirty (30) days only from purchase date, with no extensions provided.

First Year During the first year (1), any electrical part of this product found to be defective, including any sealed system units, will be repaired or replaced, at warrantor's option, at no charge to the ORIGINAL purchaser. Consumable parts (ie. light bulbs) are not warranted or guaranteed for any length of time.

Second Through Fifth Year During the next four years (4) any part of the sealed system found to be defective (consisting of compressor, condenser, evaporator, dryer and all related tubing) will be replaced without charge. The purchaser shall pay for all labor and return freight during this four year (4) period for repair or replacement of any sealed system components. Any unit being diagnosed as non-functional due to sealed system failure and warranting an exchange during the existing four (4) years will be subject to an appropriate depreciation or user fee, including any and all freight charges being levied against the consumer.

To Obtain Service Danby reserves the right to limit boundaries of "In Home Service" due to the proximity of an Authorized Service Depot. Any appliance requiring service outside the Limited Boundaries of "In Home Service", it will be the customer's responsibility to transport the appliance to the closest Authorized Service Depot at their own expense. Contact your dealer from whom your unit was purchased, or contact your nearest authorized Danby service depot, where service must be performed by a qualified service technician. If service is performed on the units by anyone other than an authorized service depot, or the unit is used for commercial application, all obligations of Danby under this warranty shall be at an end.

The following clause refers to single and double door refrigerators, supplied with or without a separate freezer section. Nothing within this warranty shall imply that Danby will be responsible or liable for any spoilage or damage to food or other contents of this appliance, whether due to any defect of the appliance, or its use, whether proper or improper.

EXCLUSIONS

Save as herein provided, Danby Products Limited (Canada) or Danby Products Inc. (U.S.A.), there are no other warranties, conditions, representations or guarantees, express or implied, made or intended by Danby Products Limited or its authorized distributors and all other warranties, conditions, representations or guarantees, including any warranties, conditions, representations or guarantees under any Sale of Goods Act or like legislation or statute is hereby expressly excluded. Save as herein provided, Danby Products Limited (Canada) or Danby Products Inc. (U.S.A), shall not be responsible for any damages to persons or property, including the unit itself, howsoever caused or any consequential damages arising from the malfunction of the unit and by the purchase of the unit, the purchaser does hereby agree to indemnify and save harmless Danby Products Limited from any claim for damages to persons or property caused by the unit.

GENERAL PROVISIONS

No warranty or insurance herein contained or set out shall apply when damage or repair is caused by any of the following:

- 1) Power Failure.
- 2) Damage in transit or when moving the appliance.
- 3) Improper power supply such as low voltage, defective house wiring or inadequate fuses.
- 4) Accident, alteration, abuse or misuse of the appliance such as inadequate air circulation in the room or abnormal operating conditions, (extremely high or low room temperature).
- 5) Use for commercial or industrial purposes.
- 6) Fire, water damage, theft, war, riot, hostility, acts of God such as hurricanes, floods etc.
- 7) Service calls resulting in customer education.

Proof of purchase date will be required for warranty claims; so, please retain bills of sale. In the event warranty service is required, present this document to our AUTHORIZED SERVICE DEPOT.

Danby Products Limited
PO Box 1778, 5070 Whitelaw Road,
Guelph, Ontario, Canada N1H 6Z9
Telephone: (519) 837-0920 FAX: (519) 837-0449

09.02

Danby Products Inc.
PO Box 669, 101 Bentley Court,
Findlay, Ohio, U.S.A. 45839-0669
Telephone: (419) 425-8627 FAX: (419) 425-8629

Safety Instructions

ATTENTION

GROUNDING INSTRUCTIONS

This appliance must be grounded. In the event of an electrical short circuit, grounding reduces the risk of electrical shock by providing an escape wire for the electrical current. This appliance is equipped with a cord having a grounding wire with a grounding plug. The plug must be plugged into an outlet that is properly installed and grounded.

WARNING - Improper use of the grounding plug can result in a risk of electric shock. Consult a qualified electrician or serviceman if the grounding instructions are not completely understood, or if doubt exists as to whether the appliance is properly grounded.

DO NOT USE AN EXTENSION CORD

Use an exclusive wall outlet. Do not connect your refrigerator to extension cords or together with any other appliance in the same wall outlet. Do not splice the cord.

IMPORTANT WARNING

An empty refrigerator is a very dangerous attraction to children. Remove either the gasket, latches, lids or doors from unused appliances, or take some other action that will guarantee it harmless.

DON'T WAIT! DO IT NOW!

Installation

Remove exterior and interior packings, wipe the outside thoroughly with a soft dry cloth and the inside with a wet, lukewarm cloth. Avoid placing the cabinet in a narrow recess or near any heat source, direct sunlight, or moisture. Let air circulate freely around the cabinet. Keep the rear of the refrigerator 5 inches away from the wall.

Location

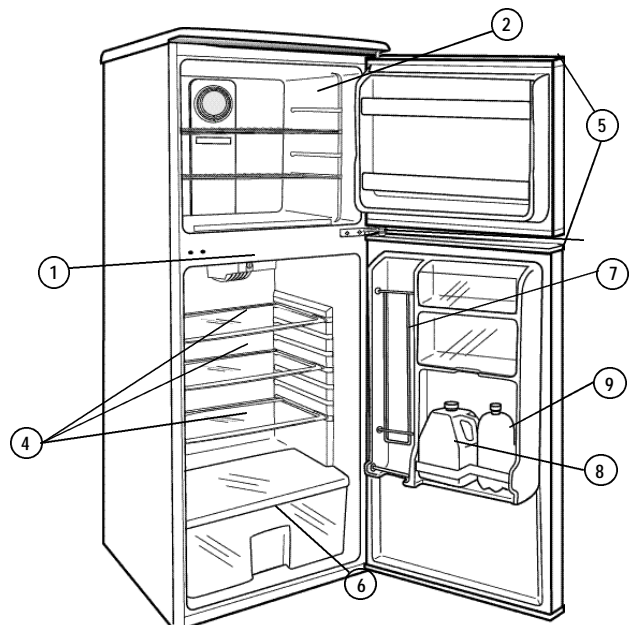
1. Select a place with a strong, level floor.
2. Allow 5 inches of space between the back of the refrigerator and any adjacent wall.
3. Avoid direct sunlight and heat. Direct sunlight may affect the acrylic coating. Heat sources nearby will cause higher electricity consumption.

The refrigerating system in this refrigerator is a "Frost Free" system. This type of system requires no user intervention (i.e. defrosting) other than selecting required cooling temperatures and the usual care and maintenance.

To avoid vibration, the cabinet must be set level. This is accomplished by adjusting the (2) front leveling legs located under the refrigerator cabinet. To start the refrigerator, turn the temperature control (1-max.) to the position corresponding to the desired cooling.

The refrigerator temperature will vary depending on the quantity of the food stored and on the frequency with which the door is opened.

1. **THERMOSTAT DIAL:** For controlling the temperature inside the refrigerator/freezer. Turns the motor on as soon as the temperature rises above the desired level.
2. **SEPARATE FREEZER SECTION:** holds ice cube tray and storage for frozen food.
3. **ICE CUBE TRAY:** Ice cubes are easily removed from the tray. (Not shown)
4. **TEMPERED GLASS SHELVES (3):** Odor resistant, and removable for easy cleaning.
5. **MAGNETIC GASKET:** Tight fitting door seal keeps all the cooling power locked inside. No hooks or latches.
6. **CRISPER WITH TEMPERED-GLASS SHELF:** Easy interior viewing.
7. **CANSTOR™ DOOR LINER:** Holds 355 mL cans of pop, juice, or beer.
8. **GALLON DOOR STORAGE:** can be adjusted to hold smaller items with slide in rail.
9. **2 LITER TALL BOTTLE STORAGE:** holds 2 liter bottles.



Door Reversal Instructions

CAUTION: To avoid personal injury to yourself and/or property, we recommend someone assist you during the door reversal process.

1. To access the lower hinge assembly, tilt back the refrigerator cabinet or lay the refrigerator on its back. (Fig. A)
 2. Remove both leveling legs located at the front of the cabinet.
 3. Remove the screws holding the lower hinge assembly to the cabinet. (Fig. A)
 4. Remove the main door assembly from the refrigerator cabinet. (open door and pull down)
 5. Remove the screws from the middle hinge assembly. Then remove the hinge and freezer door. (Fig. B)
 6. Remove (unscrew) the top hinge pin. (Fig. C)
 7. Re-install the main door top hinge pin on the opposite side of the cabinet. (Fig. C)
 8. Remove the door plug and door bushing located on the top and bottom of each door assembly.
 9. Interchange positions. (ie. door plug right side, door bushing left side.)
 10. Re-install freezer door assembly on cabinet.
 11. Re-install the middle hinge assembly on the opposite side.
 12. Make sure the door assembly is properly aligned on the cabinet, before tightening hinge screws.
 13. Re-install main door assembly on cabinet.
 14. Re-install the lower hinge assembly on the opposite side. Making sure to change bushing and screw on opposite sides on bottom of unit
 15. Make sure the door assembly is properly aligned on the cabinet, before tightening lower hinge screws.
 16. Re-install both leveling legs.
- The process is now complete.

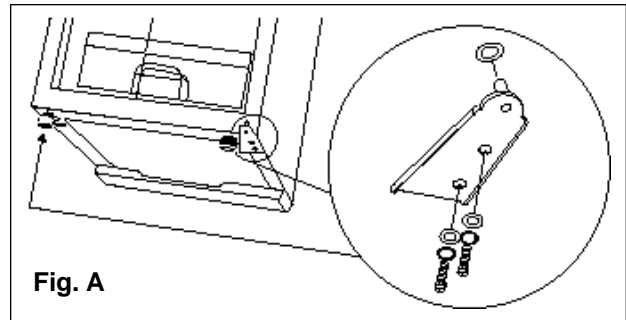


Fig. A

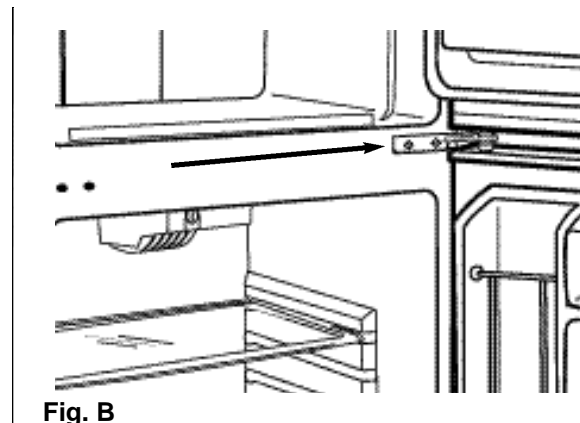


Fig. B

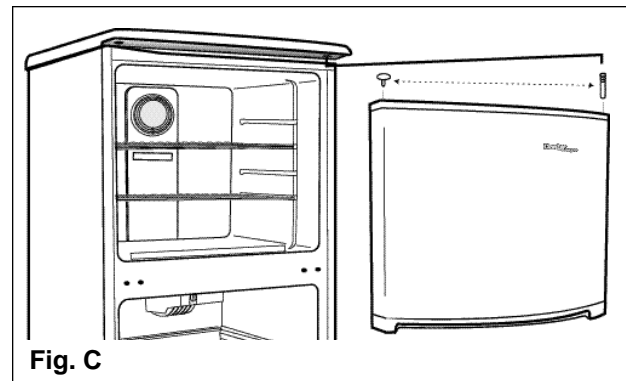


Fig. C

Light Bulb Replacement

To replace the refrigerator light bulb:

1. Remove the screw from the light bulb cover.
2. Pull the light bulb cover downward.
3. Unscrew the bulb.
4. Replace with a standard 40 watt appliance bulb only.

Ice Cube Tray

Ice cube tray is flexible. Twist tray to remove ice cubes. If the ice cube tray is frozen hard to the evaporator surface, run a little water over the tray. Never use a knife or other metal instrument to remove ice cube tray because this may damage the evaporator. (Fig. D)

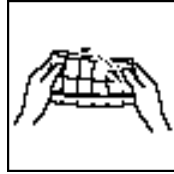


Fig. D

Care and Maintenance

Cooling System

This refrigerator is inclusive of a “frost free” type cooling system, which means you never have to defrost the freezer compartment. Defrosting is done automatically by means of a defrost heating element and a defrost timer factory programmed to operate (cycle) approximately every 8 hours. The defrost water is routed into a defrost pan located directly above the compressor from where it evaporates.

Cleaning

Before cleaning the refrigerator or freezer, always disconnect the refrigerator from the power supply. To clean the inside, use a soft cloth and a solution of a tablespoon of baking soda to one quart of water, or a mild soap suds solution, or some mild detergent. Wash ice cube tray, drip tray, and glide out shelves in a mild detergent solution, then dry and wipe with a soft cloth. Clean the outside with a soft damp cloth and some mild detergent or appliance cleaner.

Setting the Thermostat

The thermostat setting can be adjusted from #1 (minimum setting) through Maximum (coldest setting) We recommend setting the thermostat at # 4 (medium setting) If however you find this setting inappropriate for your cooling requirements, adjust as needed by rotating the thermostat dial. The thermostat dial is located on the front top section of the refrigerator compartment. The thermostat controls temperature for both the freezer and refrigerator compartments.

Vacation Time

For short vacation periods, leave the control knob at the usual setting. During longer absences;

- remove all foods,
- disconnect from electrical outlet,
- clean the refrigerator thoroughly, including defrost pan,
- leave door open to avoid possible formations of condensate, mold or odors.

Power Failure

Most power failures are corrected within an hour or two and will not affect your refrigerator temperatures. However, you should minimize the number of door openings while the power is off. During power failures of longer duration, take steps to protect your food by placing dry ice on top of packages.

If You Move

Remove or securely fasten down all loose items inside the refrigerator. To avoid damaging the leveling legs, turn them all the way into the base.

Some Important Rules for the Correct Use of the Refrigerator

- Never place hot foods in the refrigerator.
- Beverages should be stored in sealed containers.
- Foods to be stored for a long time should be wrapped in cellophane or polyethylene, or kept in glass containers. Never place spoiled foods in the cabinet.
- Don't overload the cabinet.
- Don't open the door unless necessary.
- Should the refrigerator be stored without use for long periods it is suggested, after a careful cleaning, to leave the door ajar to allow the air to circulate inside the cabinet in order to avoid possible formations of condensate, mold or odors.

Food Storage Suggestions

Fresh Food Compartment

- Never cover food compartment shelves with aluminum foil or any other shelf covering material which may prevent air circulation.
- Always remove porous store wrapping paper from meats, poultry and fish. Meats should be wrapped individually and placed in a dish for storage. Wrap fish and poultry in foil or heavy waxed paper. Most fish should be used the same day of purchase. Packaged meats such as ham, bacon, dried beef, or frankfurter, store best in their original packages.
- Allow warm foods to cool to room temperature before placing them in the refrigerator.
- Always cover open dishes of food, especially leftovers. Use leftovers within 2 or 3 days.

Vegetable Crisper

The tray at the bottom of the refrigerator is covered to retain moisture. The crisper compartment will enable you to store vegetables and fruits which would otherwise dry out rapidly. The humidity level inside the crisper drawer can be controlled by adjusting the “damper” control (white slider) located on the front of the drawer.

Care and Maintenance

Frequently, a problem is minor and a service call may not be necessary, use this troubleshooting guide for a possible solution. If the unit continues to operate improperly, call an authorized service depot or **Danby's Toll Free Number** for assistance.

Difficulty	Possible Cause	Suggested Solution
Does not work	No power to unit. Power cord is unplugged. Wrong voltage is being used.	Check connection of power cord at power source. Plug in unit. Use proper voltage.
Refrigerator running too frequently	Temperature control too high. Door is not closed. Hot food inserted. Doors opened too long or too often. Close proximity to heat source or direct sunlight.	Check setting and adjust as needed. Close door securely. Be sure that food is cool before inserting. DO NOT keep door open for too long. MINIMIZE door openings. DO NOT place unit close to heat sources or direct sunlight.
Internal temperature too cold	Temperature control too high.	Check setting and adjust as needed.
Internal temperature not cold enough	No power to unit. Power cord is unplugged. Temperature control too low. Door is not closed. Hot food inserted. Doors opened too long or too often. Air flow obstruction. Wrong voltage is being used. Close proximity to heat source or direct sunlight.	Check connection of power cord at power source. Plug in unit. Check setting and adjust as needed. Close door securely. Be sure that food is cool before inserting. DO NOT keep door open for too long. MINIMIZE door openings. Allow room for air to circulate around unit. Use proper voltage. DO NOT place unit close to heat sources or direct sunlight.
Freezer is not cold enough	Temperature control too low. Door not closed. Hot food is inserted. Door opened too long or too often. Wrong voltage is being used.	Check setting and adjust as needed. Close door securely. Be sure that food is cool before inserting. DO NOT keep door open for too long. Use proper voltage.
Light will not work	No power to unit. Power cord is unplugged. Bulb is loose, needs replacing or the door switch is stuck.	Check connection of power cord to power source. Plug in unit. Tighten or replace the bulb. Check the switch for obstructions and clean.



Model • Modèle • Modelo
DFF9102W/BL

For service, contact
your nearest service depot or call:
1-800-26D-anby
to recommend a depot in
your area.

Pour obtenir le service, consultez
votre succursale régionale de service
ou téléphonez:
1-800-26D-anby
qui vous recommandera un
centre régional.

Para servicio, comuníquese con su
Departamento de Servicios más
cercano o llame al:
1-800-26D-anby
para que le recomienden un
Departamento de Servicios
en su zona.

FROST FREE REFRIGERATOR

The model number of your refrigerator is found on the serial plate located on the back, top left-hand corner of the refrigerator.

All repair parts available for purchase or special order when you visit your nearest service depot. To request service and/or the location of the service depot nearest you, call the toll free number listed to the left in Canada and the U.S.

When requesting service or ordering parts, always provide the following information:

- Product Type
- Model Number

REFRIGERATEUR SANS GIVRE

Le numéro de modèle de votre réfrigérateur se trouve sur la plaque d'identification qui se trouve sur le coin du haut gauche de l'arrière du réfrigérateur.

Toutes les pièces de rechange sont disponibles immédiatement ou peuvent être commandées de votre Centre de Service régional. Pour obtenir le service et/ou le Centre de Service le plus proche, téléphonez le numéro sans-frais indiqué à gauche pour le Canada et les États-Unis.

Ayez les informations suivantes à la portée de la main lors de la commande de pièces ou service:

- Genre de produit
- Numéro de modèle

REFRIGERADOR SIN ESCARCHA

El número del modelo de su refrigerador se encuentra en la placa de serie ubicada en el ángulo posterior superior izquierdo del refrigerador.

Todas las piezas de repuesto se encuentran disponibles la para compra o por pedido especial cuando Ud. visite su departamento de servicio más cercano. Para solicitar servicio y/o la ubicación del departamento de servicio más cercano, llame al número de marcando gratis que aparece a la izquierda en el Canadá y en los E.U.

Cuando solicite servicio o encargue repuestos, siempre proporcione la siguiente información:

- Tipo de producto
- Número de modelo

Danby[®] *Designer*

OWNER'S MANUAL

**MANUEL
D'UTILISATION**

**MANUAL DEL
PROPIETARIO**

**Model • Modèle • Modelo
DFF9102W/BL**

CAUTION:

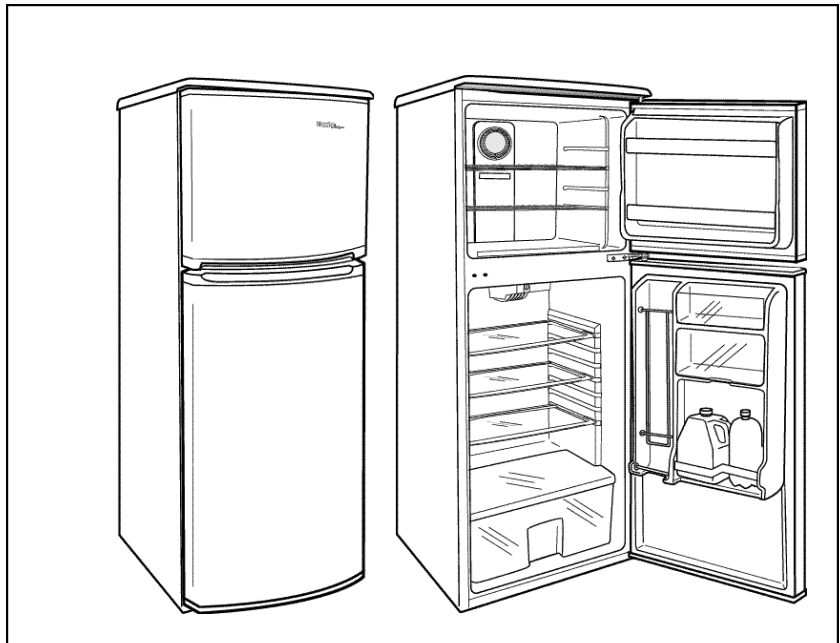
Read and follow all safety rules and operating instructions before first use of this product.

PRECAUTION:

Veuillez lire attentivement les consignes de sécurité et les instructions d'utilisation avant l'utilisation initiale de ce produit.

PRECAUCION:

Lea y observe todas las reglas de seguridad y las instrucciones de operación antes de usar este producto por primera vez.



FROST FREE REFRIGERATOR

Owner's Manual 1-5

- Safety Instructions
- Installation
- Operation
- Care and Maintenance
- Trouble Shooting

REFRIGERATEUR SANS GIVRE

Manuel d'utilisation 6-10

- Consignes de sécurité
- Instructions
- Fonctionnement
- Soins et entretien
- En cas de problème

REFRIGERADOR SIN ESCARCHA

Manual del propietario 11-15

- Instrucciones de seguridad
- Instalación
- Operación
- Cuidado y Mantenimiento
- Solución Sugerida



En cas de problème

Souvent, le problème est mineur et n'exige pas un appel de service. Utilisez ce guide pour trouver des solutions. Si l'appareil ne fonctionne toujours pas, appelez un dépôt de service autorisé ou le **numéro de téléphone sans frais** pour de plus amples renseignements.

Problème	Cause possible	Solution Suggérée
Ne fonctionne pas.	L'appareil n'est pas alimenté. Le cordon d'alimentation n'est pas branché. La source d'alimentation n'est pas appropriée.	Vérifiez que l'appareil est branché à la source d'alimentation. Branchez la fiche. Utilisez la tension appropriée
Refroidit trop souvent.	La commande de température est réglée à une position trop élevée. La porte n'est pas fermée. Des aliments chauds y ont été rangés. La porte est ouverte trop souvent ou longtemps. L'appareil est trop proche d'une source de chaleur ou des rayons du soleil.	Vérifiez que la commande est réglée à la bonne position. Fermez bien la porte. Assurez-vous que les aliments sont refroidis avant de les ranger. NE GARDEZ PAS la porte ouverte trop longtemps. Réduire au MINIMUM les ouvertures de porte. NE SITUEZ PAS l'appareil trop près d'une source de chaleur.
Température interne trop froid.	La commande du thermostat est à une position trop haute.	Vérifiez la position de la commande et réglez de nouveau.
Température interne pas assez froide.	L'appareil ne reçoit aucun pouvoir. Le cordon d'alimentation n'est pas branché. La commande de température est réglée à une position trop basse. La porte n'est pas fermée. Des aliments chauds y ont été rangés. La porte est ouverte trop souvent ou longtemps. Obstructions à la circulation d'air. La source d'alimentation n'est pas appropriée. L'appareil est trop proche d'une source de chaleur ou des rayons du soleil.	Vérifiez que l'appareil est branché à la source d'alimentation. Branchez la fiche. Vérifiez la position de la commande et réglez de nouveau. Fermez bien la porte. Assurez-vous que les aliments sont refroidis avant de les ranger. NE GARDEZ PAS la porte ouverte trop longtemps. Réduire au MINIMUM les ouvertures de porte. Laissez assez d'espace pour la circulation d'air. Utilisez la tension appropriée NE SITUEZ PAS l'appareil trop près d'une source de chaleur.
Congélateur pas assez froid.	La commande est à une position trop basse. La porte n'est pas fermée. Des aliments chauds y ont été rangés. La porte est ouverte trop souvent ou longtemps. La source d'alimentation n'est pas appropriée.	Vérifiez la position de la commande et réglez de nouveau. Fermez bien la porte. Assurez-vous que les aliments sont refroidis avant de les ranger. NE GARDEZ PAS la porte ouverte trop longtemps. Utilisez la tension appropriée
Lampe ne fonctionne pas.	L'appareil n'est pas alimenté. Le cordon d'alimentation n'est pas branché. La lampe n'est pas bien vissée, doit être remplacée ou l'interrupteur sur la porte est collé.	Vérifiez que l'appareil est branché à la source d'alimentation. Branchez la fiche. Serrez ou changez la lampe. Vérifiez que l'interrupteur n'est pas collé et est propre.

Glaçons

Le moule à glaçons est flexible. Tourner-le pour enlever les glaçons. Si le moule est surgelé et collé à la surface de l'évaporateur, verser un peu d'eau tiède. Ne jamais utiliser de couteaux ou d'autres instruments en métal pour enlever le moule à glaçons car ceux-ci peuvent endommager l'évaporateur. (Fig. D)

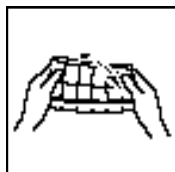


Fig. D

Soins et entretien

Système de refroidissement

Ce réfrigérateur comprend un système de réfrigération «sans givre», ce qui signifie que vous n'aurez jamais besoin de dégivrer le congélateur. Le dégivrage se fait automatiquement à l'aide d'un élément chauffant de dégivrage et d'un chronomètre de dégivrage programmé à l'usine pour se mettre en marche à huit (8) heures d'intervalle environ. L'eau produite lors du dégivrage est acheminée vers un plateau de dégivrage situé directement au-dessus du compresseur, si bien qu'elle s'évapore.

Entretien

Avant de nettoyer le réfrigérateur ou le congélateur, débranchez toujours le réfrigérateur de la source d'alimentation électrique. Pour nettoyer l'intérieur, utilisez un chiffon doux et une solution comprenant une cuillerée à soupe de poudre à pâte par pinte d'eau ou une solution d'eau et de savon doux ou un détergent doux. Lavez le bac à glaçons, le plateau ramasse-gouttes et les étagères dans une solution de détergent doux; asséchez-les et essuyez-les à l'aide d'un chiffon doux. Nettoyez l'extérieur à l'aide d'un chiffon doux et de détergent doux ou d'un produit de nettoyage des appareils électroménagers.

Réglage du thermostat

Le thermostat peut être réglé de 1 (minimum) au maximum (réglage le plus froid). Nous vous recommandons un réglage à 4 (intermédiaire). Mais si vous trouvez que ce réglage ne convient pas en fonction de vos besoins, faites le réglage voulu en tournant le bouton du thermostat. Le cadran du thermostat se trouve à l'avant du logement du réfrigérateur. Le thermostat contrôle la température du congélateur et du réfrigérateur.

Pendant les vacances

Si vous prenez des vacances d'un mois ou moins, ne touchez pas à la commande du thermostat. Pendant les vacances plus prolongées;

- enlever tous les aliments,
- débrancher l'appareil,
- nettoyer tout le réfrigérateur, y compris les bac d'écoulement,
- laisser la porte ouverte pour éviter les mauvaises odeurs.

Panne d'électricité

La plupart des pannes d'électricité sont corrigées dans un délai d'une heure et n'ont pas d'effets sur la température du réfrigérateur. Il est nécessaire de réduire le nombre d'ouverture de la porte pendant une panne.

Pendant les pannes qui durent plus qu'une heure, protéger vos aliments en déposant un bloc de glace sèche par-dessus les emballages. Si la glace n'est pas disponible, essayer d'utiliser temporairement de l'espace de votre entrepôt à froid régional.

Déménagement

Enlever ou immobiliser toutes les pièces amovibles (c'-à-d; les clayettes) à l'intérieur du réfrigérateur et/ou congélateur. Serrer les vis à nivellement à la base afin de ne pas les endommager.

IMPORTANTES CONSIGNES DE SÉCURITÉ POUR

L'UTILISATION DU RÉFRIGÉRATEUR

- Ne jamais ranger d'aliments chauds dans le réfrigérateur.
- Ranger les breuvages dans des contenants étanches.
- Pour le rangement à longue durée, envelopper les aliments dans une pellicule cellophane ou polyéthylène, ou des contenants en verre. Ne jamais ranger d'aliments avariés dans l'appareil.
- Ne jamais surcharger l'appareil.
- Ouvrir la porte seulement si nécessaire.
- Pour un rangement prolongé de l'appareil, il est suggéré de laver l'appareil, de laisser la porte ouverte afin de fournir une circulation d'air à l'intérieur du meuble et d'éviter le développement de condensation, de mois et d'odeurs.

Rangements des aliments

Compartiments pour Aliments Frais

- Ne jamais recouvrir les clayettes du compartiment de papier d'aluminium ou autres matériaux car ceci peut empêcher la circulation d'air.
- Enlever toujours les emballages perméables du marchand qui recouvrent la viande, volaille et le poisson. Les viandes doivent être emballées individuellement, et déposées dans un récipient pour le rangement. Emballer la volaille ou le poisson dans du papier aluminium ou du papier ciré épais. Faites cuire la plupart de sorte de poissons le jour de l'achat. Les viandes emballées par le marchand, telles que le jambon, le bacon, le boeuf sec, ou les saucisses fumées se rangent très bien dans leur emballage.
- Laisser refroidir les aliments à la température de la pièce avant de les ranger dans le réfrigérateur.
- Toujours recouvrir les aliments, surtout les restants. Utiliser les restants avant 2 à 3 jours.

Bac à légumes et à fruits

Le plateau situé au bas du réfrigérateur est couvert pour conserver l'humidité. Le bac à légumes et à fruits vous permet de conserver les légumes et les fruits qui se dessécheraient rapidement autrement. Le niveau d'humidité à l'intérieur du bac à légumes et à fruits peut être contrôlé à l'aide de la commande d'humidité (bouton coulissant blanc) situé à l'avant du bac.

Danby® GARANTIE LIMITÉE

Cet appareil de qualité est garanti exempt de tout vice de matière première et de fabrication, s'il est utilisé dans les conditions normales recommandées par le fabricant.

Cette garantie n'est offerte qu'à l'acheteur initial de l'appareil vendu par Danby ou par l'un des ses distributeurs agréés et elle ne peut être transférée.

CONDITIONS

Pièces en plastique (la porte de l'évaporateur, gardes de porte, couvercle et bacs sont couverts par une garantie sans extension de 30 jours de la date d'achat.

Première année Pendant la première (1) année, toutes pièces électriques de ce produit s'avèrent défectueuses, y compris les unités ayant des systèmes obturés, seront réparées ou remplacées, selon le choix du garant, sans frais à l'acheteur INITIAL. Les autres pièces courantes (par ex., les ampoules) ne sont couvertes par aucune garantie.

De la deuxième à la cinquième années Pendant les prochaines quatre (4) années, les pièces s'avèrent défectueuses (y compris le: compresseur, condensateur, évaporateur, sècheuse, et tous leurs boyaux) seront remplacés sans frais. L'acheteur est responsable envers tous les frais de main-d'oeuvre et de transport pendant cette période de quatre (4) ans pour la réparation et le rechange sur tous les composants du système obturé. Toute unité de diagnostic inadéquate due à un vice du système obturé et qui exige une unité de rechange pendant ces quatre (4) ans subira un taux de dépréciation convenable ou à un frais pour l'acheteur. Ceci inclut tous les frais de transport qui seront imposés contre l'acheteur.

Pour bénéficier du service sous garantie Danby réserve le droit de limiter le rayon du "service au domicile" selon la proximité d'un dépôt de service autorisé. Le client sera responsable pour le transport et tous les frais d'expédition de tout appareil exigeant le service en dehors des limites du "service au domicile" au dépôt de service autorisé le plus proche. S'adresser au détaillant qui a vendu l'appareil, ou à la station technique agréée de service la plus proche, où les réparations doivent être effectuées par un technicien qualifié. Si les réparations sont effectuées par quiconque autre que la station de service agréée où à des fins commerciales, toutes les obligations de Danby en vertu de cette garantie seront nulles et non avenues.

L'article suivante se reporte aux réfrigérateurs à porte simple ou double, avec ou sans une section de congélation. Cette garantie indique en aucun temps la responsabilité de Danby de l'avarie ou dommage de la nourriture ou autre contenu, soit par les vices de l'appareil, ou soit par l'utilisation convenable ou inexacte.

EXCLUSIONS

En vertu de la présente, il n'existe aucune autre garantie, condition ou représentation, qu'elle soit exprimée ou tacite, de façon manifeste ou intentionnelle, par Danby Products Limitée (Canada) ou Danby Products Inc. (E.- U. d'A.) ou ses distributeurs agréés. De même, sont exclues toutes les autres garanties, conditions ou représentations, y compris les garanties, conditions ou représentations en vertu de toute loi régissant la vente de produits ou de toute autre législation ou règlement semblables.

En vertu de la présente, Danby Products Limitée (Canada) ou Danby Products Inc. (E.- U. d'A.) ne peut être tenue responsable en cas de blessures corporelles ou des dégâts matériels, y compris à l'appareil, quelle qu'en soit les causes. Danby ne peut pas être tenue responsable des dommages indirects dus au fonctionnement défectueux de l'appareil. En achetant l'appareil, l'acheteur accepte de mettre à couvert et de dégager Danby Products Limitée de toute responsabilité en cas de réclamation pour toute blessure corporelle ou tout dégât matériel causé par cet appareil.

CONDITIONS GÉNÉRALES

La garantie ou assurance ci-dessus ne s'applique pas si les dégâts ou réparations sont dus aux cas suivants:

- 1) Panne de courant;
- 2) Dommage subis pendant le transport ou le déplacement de l'appareil;
- 3) Alimentation électrique incorrecte (tension faible, câblage défectueux, fusibles incorrects);
- 4) Accident, modification, emploi abusif ou incorrect de l'appareil;
- 5) Utilisation dans un but commercial ou industriel;
- 6) Incendie, dommage causés par l'eau, vol, guerre, émeute, hostilités, cas de force majeure (ouragan, inondation, etc.);
- 7) Visites d'un technicien pour expliquer le fonctionnement de l'appareil au propriétaire.

Une preuve d'achat doit être présentée pour toute demande de réparation sous garantie. Prière de garder le reçu. Pour faire honorer la garantie, présenter ce document à la station technique agréée ou s'adresser à:

Danby Products Limitée
PO Box 1778, 5070 Whitelaw Road,
Guelph, Ontario, Canada N1H 6Z9
Téléphone: (519) 837-0920 Télécopieur: (519) 837-0449

09.02

Danby Products Inc.
PO Box 669, 101 Bentley Court,
Findlay, Ohio, U.S.A. 45839-0669
Telephone: (419) 425-8627 FAX: (419) 425-8629

Consignes de sécurité

ATTENTION MISSE À LA TERRE

Cet appareil doit être mis à la terre. En cas de court-circuit, la mise à la terre réduit les risques de décharge électrique en fournissant un échappatoire au courant électrique. L'appareil est muni d'un cordon électrique comprenant un fil de mise à la terre et une fiche de terre. Branchez la fiche dans une prise de courant correctement installée et mise à la terre.

Avertissement - Consultez un électricien ou un technicien qualifié si vous ne comprenez pas bien les instructions de mise à la terre ou si vous avez un doute quelconque sur la bonne mise à la terre de l'appareil.

N'UTILISER JAMAIS DE FIL DE RALLONGE

S'il est possible, brancher le réfrigérateur à son propre circuit. Ainsi, les autres appareils ou la surcharge des lampes du domicile ne peuvent pas surcharger et interrompre le courant électrique. Une connexion desserrée peut se doubler à un autre appareil dans la même prise murale.

PRÉCAUTION IMPORTANTE

Un réfrigérateur vide est une attraction dangereuse aux enfants. Enlever les joints étanches, les loquets, les couvercles ou les portes des appareils qui ne sont pas utilisés, ou faites de sorte que l'appareil ne présente aucun danger.

N'ATTENDEZ PAS! FAITES-LE IMMÉDIATEMENT!

Installation

Enlevez les emballages extérieurs et intérieurs. Essayez complètement l'extérieur avec un linge doux sec et l'intérieur avec un linge humide tiède. Il ne faut jamais situer l'appareil dans un recoin étroit, proche d'une source d'air chaud. L'air doit circuler à l'entour de l'appareil. Éloigner le réfrigérateur au moins 5 pouces du mur.

Emplacement

1. Choisir une place qui a un plancher fort et à niveau.
2. Éloigner l'appareil de 5 pouces des murs arrière et de côté.
3. Éviter les rayons de soleil et la chaleur directs qui peuvent affecter la surface en acrylique. Les sources de chaleur rapprochées augmentent la consommation d'énergie.

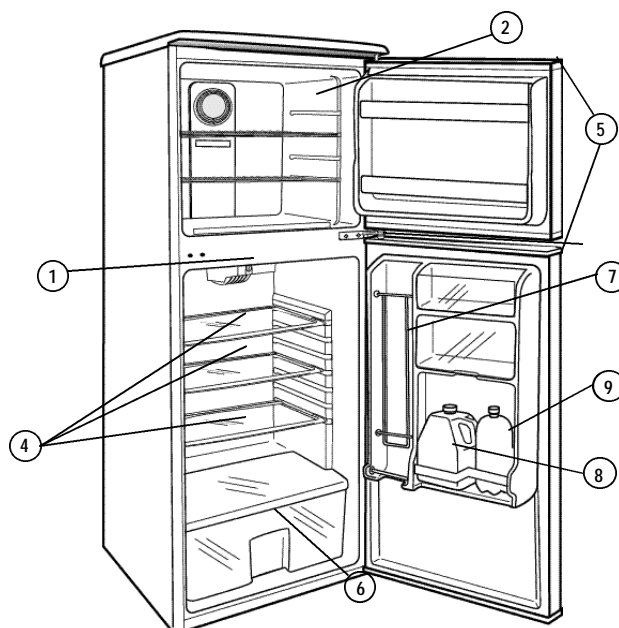
Fonctionnement

Le système de réfrigération de ce réfrigérateur est "sans givre". Ce type de système n'exige aucune intervention telle que la décongélation par l'utilisateur autre que le choix de température de réfrigération. Peut être réglé pour les plus petits contenants.

Pour éviter la vibration, l'appareil doit être absolument horizontal. Les deux premiers pieds de nivellement au-dessous de réfrigérateur peuvent être ajuster. Pour mettre la réfrigérateur en marche, tourner la commande de température jusqu'au refroidissement désiré (là max.).

La température de réfrigérateur variera dépendant de la quantité de nourriture et la fréquence avec laquelle la porte est ouverte.

1. CADRAN DU THERMOSTAT: Régle la température intérieure du réfrigérateur/congelateur. Met le moteur en marche dès que la température dépasse le niveau désiré.
2. SECTION SÉPARÉE POUR LA CONGÉLATION: contient les moules à glaçons et petits articles.
3. MOULE À GLAÇONS: Démoulage facile des glaçons. (non-illustré)
4. TABLETTE EN VERRE TREMPÉ: Résistent aux odeurs et à la rouille. Amovibles pour faciliter l'entretien.
5. JOINT ÉTANCHE MAGNÉTIQUE: Le joint étanche empêche l'air frais de s'échapper.
6. BAC À LÉGUMES AVEC CLAYETTE EN PLEXIGLAS: Facile de voir des contenus.
7. PAROI DE PORTE CANSTOR: Range les boîtes de boisson gazeuse, jus ou bière de 355 mL.
9. RANGEMENT DE PORTE POUR CONTENANT DE 2 LITRES: Contient des bouteilles de 2 litres

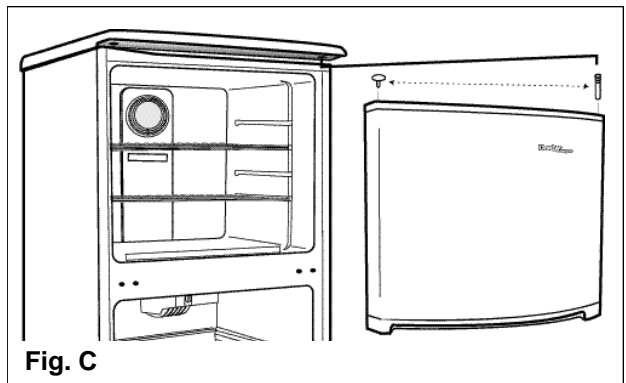
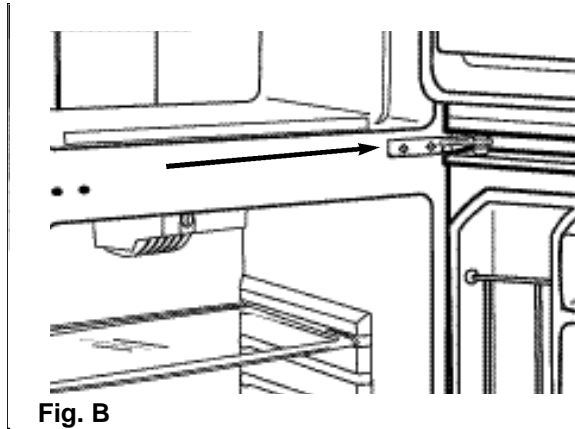
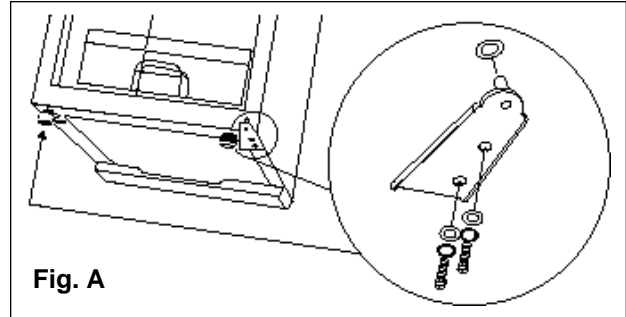


Instructions de porte réversible

ATTENTION: Pour éviter de se blesser ou endommager l'appareil, on vous recommande d'avoir quelqu'un vous aide pendant ce processus.

1. Pour avoir accès la charnière inférieure, incliner le réfrigérateur ou verser le sur son dos. (Fig. A)
2. Enlever les deux pattes de nivellement situées sur le devant du réfrigérateur. (Fig. A)
3. Enlever les vis qui joignent le montage sur le devant de réfrigérateur. (Fig. A)
4. Enlever le montage de la porte principale du réfrigérateur. (Ouvrer la porte et tirer vers le bas.)
5. Enlever les vis de la charnière du centre de la porte. Enlever la charnière et la porte du congélateur. (Fig. B)
6. Enlever (dévisser) le goujon de la charnière supérieure (Fig. C)
7. Réinstaller le goujon de la charnière supérieure sur le côté opposé du réfrigérateur. (Fig. C)
8. Enlever les couvercle de goujon et le coussinet de porte situés sur le dessus et dessous de chaque montage de porte.
9. Interchanger les positions. (Mettre le couvercle de goujon sur le côté droit, coussinet de porte au côté gauche.)
10. Réinstaller le montage de la porte du congélateur sur le réfrigérateur.
11. Réinstaller le montage de la charnière centrale de la porte sur le côté opposé.
12. S'assurer que l'installation de la porte est bien alignée sur le réfrigérateur avant de resserrer les vis des charnières.
13. S'assurer que l'installation de la porte est bien alignée sur le réfrigérateur avant de resserrer les vis des charnières.
14. Réinstaller le montage de charnière inférieure sur le côté opposé en s'assurant d'interchanger le coussinet et la vis sur les côtés opposés.
15. S'assurer que le montage de la porte est bien aligné sur le réfrigérateur avant de resserrer les vis de charnière inférieure.
13. Réinstaller les deux pattes de nivellement.

Le procédé est maintenant complété.



Changement de l'ampoule intérieure

Pour remplacer l'ampoule intérieure du réfrigérateur:

1. Enlever la vis du couvercle de l'ampoule.
2. Basculer le couvercle de l'ampoule vers le bas.
3. Dévisser l'ampoule.
4. Remplacer l'ampoule par une ampoule standard de 40 watts pour appareil ménager seulement.