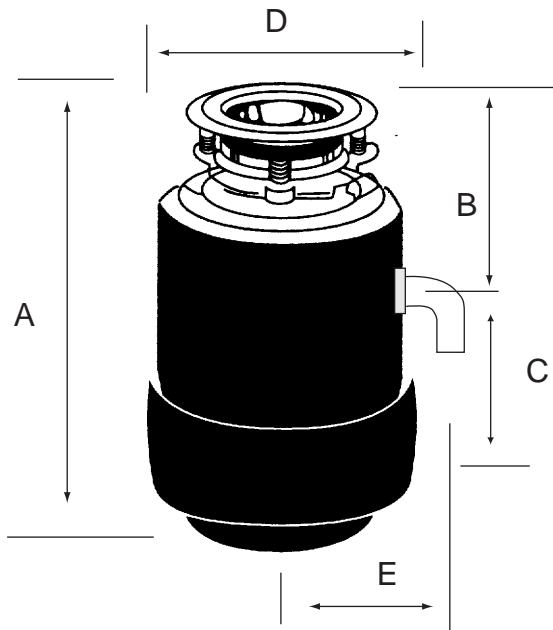


## FOOD WASTE DISPOSER



### DFC5500AAX

#### Dimensions

■	Inches □	Centimeters
A □	12 5/8 □	32.1
B <sup>1</sup> □	6 □	15.2
C <sup>2</sup> □	4 □	10.2
D □	7 1/4 □	18.4
E <sup>3</sup> □	5 □	12.7

#### Notes:

1. □ Distance from bottom of sink to center line of disposer outlet. Add 1/2" (1.3 cm) when stainless steel sinks are used.

2. □ Length of discharge tube from center line of disposer outlet to end of discharge tube.

3. □ Distance from center of disposer outlet to center of disposer.

**IMPORTANT:** Plumb waste line to prevent standing water in disposer motor housing.

When routing a dishwasher drain into disposer, be sure to remove the disposer drain plug.