



DF 251 761
fully integrated
Appliance height 34 1/8"

Included accessory
1 baking tray spray head

Installation accessories
DA 020 110
Stainless steel side trims
DA 021 000
Folding hinge extends toe kick for fully-integrated look.

DA 231 110
Stainless steel-backed full glass door panel, handle included

GH 045 010
Handle with 2 mounts, stainless steel, for custom panel length, 17 1/16", drilling distance 16 13/16"

GZ 010 011
Aqua stop extension (7.2') for all dishwashers

Optional accessories
DA 042 030
Sterling silver cutlery cassette

DA 043 000
Holder for long-stemmed glasses. Offers safe positioning for up to four long-stemmed wine glasses during the wash cycle and ensures an optimal cleaning result.

DA 043 060
Glassware basket



Dishwasher
DF 251

- 6 programs with Aqua sensor and 2 cycle options such as Power and Intensive.
- TFT display for intuitive operation of all functions.
- 3rd rack for cutlery and utensils
- Very quiet: 44 dBA.
- Aqua stop.
- ENERGY STAR® qualified.

Operation
TFT display indicating remaining or end time, refill for salt and rinsing agent, inflow of water.
Touch key operation.
Information key with use indications.
Sanitized indicator in the control panel.
Delayed start timer up to 24 hours.
Visual and acoustic end of program indicator.
Info-Light projects a red light onto the floor during the wash cycle.

Technical Features
Glass protection.
Aqua sensor.
Load sensor.
Automatic detergent function.
Regeneration electronics.
Flow-through water heater.
Triple filter system, self-cleaning.
Soft lock.
Aqua stop.

Programs
6 programs:
Auto 150°F-160°F.
Auto 130°F-150°F.
Standard Eco 113°F-131°F.
Quick wash 113°F (29 min.).
Glasscare 122°F.
Pre-rinse 122°F.

2 cycle options:
Power Boost.
Intensive Wash.

Features
Flexible rack system.
3rd rack for cutlery.

Upper rack:
Rackmatic with 3 levels, adjustable in height up to 2".
2 folding tines.
4 folding racks.

Lower rack:
4 folding tines.
2 folding racks.
Cutlery basket.

Maximum dish sizes (upper/lower rack)
11"/11", 10"/12" or 9"/13" respectively.

14 place setting capacity.
Maximum glass loading capacity: 23 wine glasses.

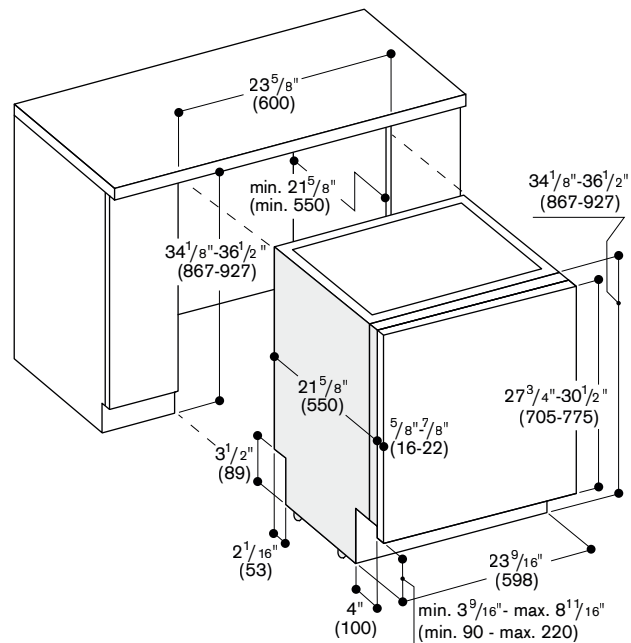
Consumption data
Total annual energy consumption 269 kWh.
Water usage: 2.5 gallons
Noise level: 44 dBA.

Planning notes
Height-adjustable feet.
Rear toe kick protrusion 3 15/16" (see drawing).
Rear feet adjustable at front.
Door weight up to 22 lbs.
Door panel dimension dependent on toe kick height of kitchen cabinets.
Ventilation openings required when installed as a tall unit.
Connection to hot or cold water possible. Water connection with 3/4" screw gland.

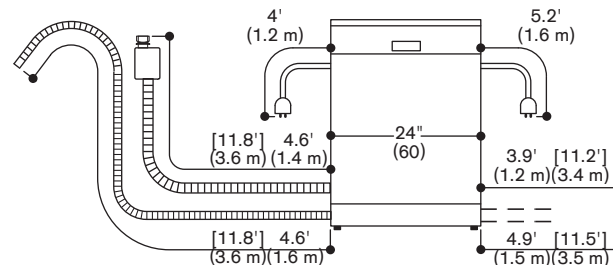
For length of connection cable, water in-and-outlet, see adjacent drawing.

Rating
Total rating 1.3 kW.
Total Amps: 12 A.
120 V / 60 Hz
Connecting cable 47 1/4" with plug.

Tall Tub dishwasher (34 1/8" (86.7 cm)).



Connection dimensions for 24" wide dishwasher



Values in [] with AquaStop extension kit GZ 010 011.

Numbers indicated inside parenthesis () = mm