

COMPACT ELECTRIC RANGE Owner's Manual.....1 - 18
ESTUFAS ELECTRICAS COMPACTAS Manuel du propriétaire.....19 - 36

MODEL * MODELO
DER202W
DER202B
DER202BSS

Welcome

Welcome to the Danby family. We are proud of our quality products and we believe in dependable service. We suggest that you read this owner's manual before plugging in your new appliance as it contains important operation information, safety information, troubleshooting and maintenance tips to ensure the reliability and longevity of your appliance.

Visit www.Danby.com to access self service tools, FAQs and much more. For additional assistance call **1-800-263-2629**.

Note the information below; you will need this information to obtain service under warranty.

You must provide the original purchase receipt to validate your warranty and receive service.

Model Number: _____

Serial Number: _____

Date of Purchase: _____

Need Help?

Before you call for service, here are a few things you can do to help us serve you better.

Read this owner's manual:

It contains instructions to help you use and maintain your appliance properly.

If you receive a damaged appliance:

Immediately contact the retailer or builder that sold you the appliance.

Save time and money:

Check the troubleshooting section at the end of this manual before calling. This section will help you solve common problems that may occur.



1-800-26- Danby
(1-800-263-2629)



Important Safety Information

READ AND FOLLOW ALL SAFETY INSTRUCTIONS

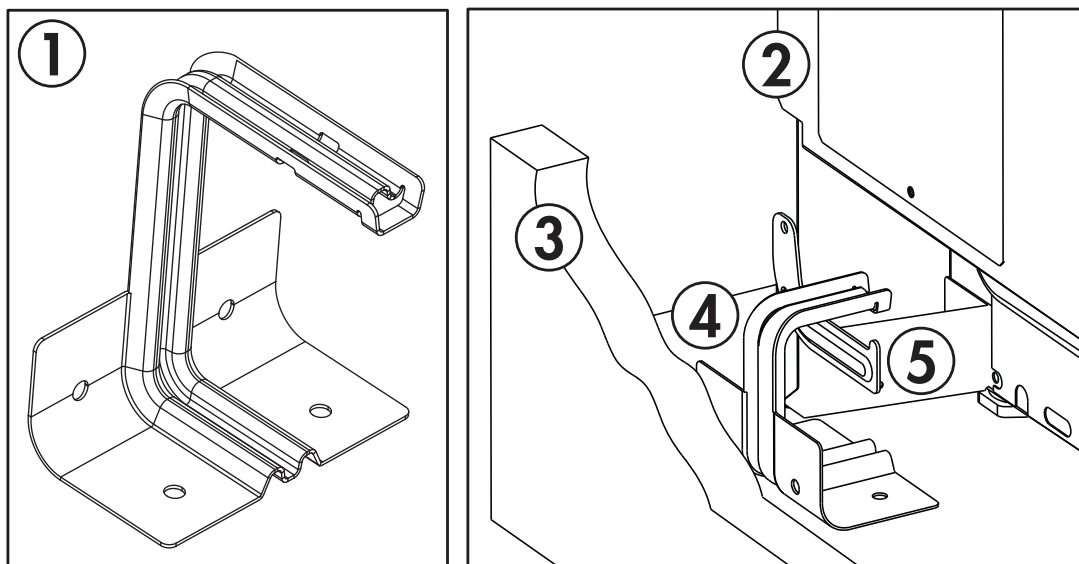
WARNING - TIP OVER HAZARD

- A child or adult can tip the appliance and be killed.
- Verify the anti-tip bracket has been properly installed and engaged to the floor or wall.
- Ensure the anti-tip bracket is re-engaged when the range is moved by sliding the anti-tip arm under the bracket.
- Do not operate the range without the anti-tip bracket in place and engaged.
- Failure to follow these instructions can result in death or serious burns to children or adults.

ANTI-TIP BRACKET

To reduce the risk of the appliance tipping over, an anti-tip bracket is provided that must be installed before operating the appliance. See installation instructions shipped with the bracket for complete details.

1. Anti-tip bracket
2. Right side panel
3. Rear wall
4. Anti-tip bracket
5. Anti-tip arm



To check if the bracket is installed and engaged properly, look underneath the range to see that the anti-tip arm attached to the right side panel is engaged on the bracket. On some models, the storage drawer or kick panel can be removed for easier inspection.

If visual inspection is not possible, slide the range forward, confirm the anti-tip bracket is securely attached to the floor or wall and slide the range back so the anti-tip arm slides under the anti-tip bracket. If the range is pulled from the wall for any reason, always repeat this procedure to verify that the range is properly secured by the anti-tip bracket.

SAVE THESE INSTRUCTIONS!



Important Safety Information

READ AND FOLLOW ALL SAFETY INSTRUCTIONS

GENERAL SAFETY REQUIREMENTS

Ensure the appliance is properly installed and grounded by a qualified technician.

Never use the appliance for warming or heating the room.

Children should not be left alone or unattended in the area where the appliance is in use. Children should never be allowed to sit or stand on any part of the appliance.

Do not store items of interest to children in cabinets above a range or on the back guard of a range. Children climbing on the range to reach items could be seriously injured.

Loose fitting or hanging garments should never be worn while using the appliance.

Do not repair or replace any part of the appliance unless specifically recommended in the manual. All other servicing should be referred to a qualified technician.

Flammable materials should not be stored in or near the appliance.

Do not use water on grease fires. Smother fire or flame or use dry chemical or foam-type extinguisher.

Use only dry pot holders. Moist or damp pot holders on hot surfaces may result in burns from steam. Do not let the pot holder touch hot heating elements. Do not use a towel or other bulky cloth.

If power is lost to an electric cooktop while a surface element is ON, the surface element will turn back on as soon as power is restored. In the event of power loss, failure to turn all surface element knobs to the OFF position may result in ignition of items on or near the cooktop, leading to serious injury or death.

To avoid the possibility of a burn or an electric shock, always be certain that the controls for all surface elements are at the OFF position, and that all coils are cool before attempting to lift or remove a coil cooking element.

COOK TOP SAFETY REQUIREMENTS

Use the proper pan size. This appliance is equipped with four burners of different sizes. Select utensils that have flat bottoms large enough to cover the surface of the heating element. The use of undersized utensils will expose a portion of the heating element to direct contact and may result in ignition of clothing. Proper relationship of utensil to burner will also improve efficiency.

Never leave the appliance unattended while in use. Boil over causes smoking and greasy spills can ignite.

Never leave oil unattended while frying. If allowed to heat beyond its smoking point, oil may ignite resulting in fire that may spread to surrounding cabinets. Use a deep fat thermometer whenever possible to monitor oil temperature.

To avoid oil spillover and fire, use a minimum amount of oil when shallow pan-frying and avoid cooking frozen foods with excessive amounts of ice.

Ensure that reflector pans or drip bowls are in place. Absence of these pans or bowls during cooking may subject wiring or components underneath to damage.

Do not use aluminum foil to line drip bowls or oven bottoms, except as suggested in the manual. Improper installation of these liners may result in a risk of electric shock or fire.

Only certain types of glass, ceramic, earthenware or other glazed utensils are suitable for range top service without breaking due to sudden change in temperature.

To reduce risk of burns, ignition of flammable materials and spillage due to unintentional contact, the handle of a utensil should be positioned so that it is turned inward and does not extend over adjacent burners.

Removable heating elements should never be immersed in water.

SAVE THESE INSTRUCTIONS!



Important Safety Information

READ AND FOLLOW ALL SAFETY INSTRUCTIONS

OVEN SAFETY REQUIREMENTS

Use care when opening the door. Allow hot air or steam to escape before removing or replacing food.

Do not heat unopened food containers. Build up of pressure may cause the container to burst and result in injury.

Keep oven vents unobstructed.

Always place oven racks in the desired location while the oven is cool. If the rack must be moved while the oven is hot, do not let the pot holder contact the hot heating element in the oven.

Pull the oven rack to the stop-lock position when loading and unloading food from the oven. This helps prevent burns from touching hot surfaces of the door and oven walls.

Do not use the oven if a heating element develops a glowing spot during use or shows other signs of damage. A glowing spot indicates the heating element may fail and present a potential burn, fire, or shock hazard. Turn the oven off immediately and have the heating element replaced by a qualified service technician.

DO NOT TOUCH HEATING ELEMENTS OR AREAS NEAR THEM

Heating elements on the surface or in the interior of the appliance may be hot even though they are dark in colour. Areas near the heating elements may become hot enough to cause burns. During and after use do not touch or let clothing or other flammable materials contact the heating elements or areas near them until they have had sufficient time to cool. Surfaces of the appliance may become hot enough to cause burns, among them are the oven vent openings and surfaces near these openings, oven doors and oven windows.

WARNING - IN CASE OF FIRE

In the event of a fire, never pick up a flaming pot or pan. Turn the burner off if it is safe to do so. Extinguish the fire with a dry chemical or foam-type extinguisher.

Do not use water on grease fires. Water will spread the grease and will not extinguish the fire. Smother the fire with a tight fitting pot lid, cookie sheet or flat tray or use dry chemical or foam-type extinguisher.

If there is a fire in the oven during baking, smother the fire by closing the oven door and turning the oven off or use dry chemical or foam-type extinguisher.

WARNING

To reduce the risk of burns, do not move this appliance while it is hot. To reduce the risk of injury due to tipping of the appliance, verify the re-installation of this appliance into the anti-tipping device provided and lock the casters after returning the appliance to the original installed position.

SAVE THESE INSTRUCTIONS!

INSTALLATION INSTRUCTIONS

BEFORE BEGINNING

Keep these instructions for future reference.

Installation of this appliance requires basic mechanical skills and roughly 1 to 3 hours of time.

Proper installation is the responsibility of the installer. Product failure due to improper installation is not covered under the warranty.

Before beginning the installation, switch power off at the service panel and lock the service disconnecting means to prevent power from being switched on accidentally. If the service disconnecting means cannot be locked, securely fasten a warning device such as a tag to the service panel.

Make sure the appliance and the outlet it will use is properly installed and grounded by a qualified technician.

WARNING - Improper use of the grounding plug can result in a risk of electric shock. Consult a qualified electrician or service agent if the grounding instructions are not completely understood, or if doubt exists as to whether the appliance is properly grounded.

Do not connect your appliance to extension cords or together with another appliance in the same wall outlet. Do not splice the power cord. Do not under any circumstances cut or remove the third ground prong from the power cord. Do not use extension cords or ungrounded (two prongs) adapters.

If the power supply cord is damaged, it must be replaced by the manufacturer, its service agent or similar qualified person in order to avoid hazard.

Remove all packing materials before installation.

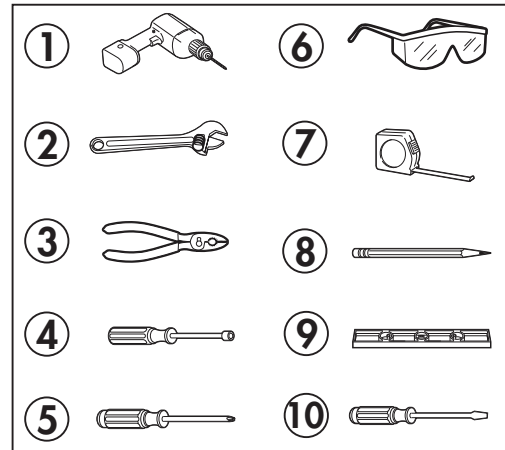
LEVEL THE APPLIANCE

Make sure that the appliance is properly leveled to ensure even cooking. Leveling legs are located at each corner of the appliance.

1. Turn the legs counterclockwise as far as they will go until they are touching the bottom of the cabinet.
2. Slowly turn the legs clockwise until the appliance is level.
3. Use a spirit level or a measuring cup half filled with water to check if the appliance is level.

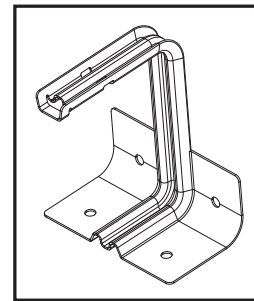
REQUIRED TOOLS

1. Drill with a 1/8" bit
2. Adjustable wrench
3. Pliers
4. 1/4" nut driver
5. Phillips screwdriver
6. Safety glasses
7. Tape measure
8. Pencil
9. Level
10. Flat blade screwdriver



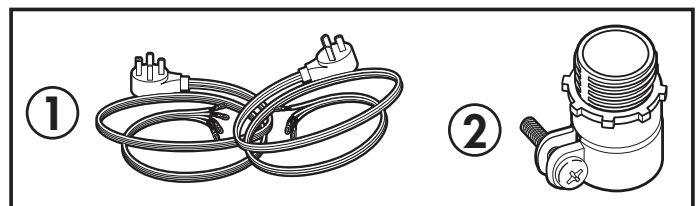
PARTS INCLUDED

1. Anti-tip bracket



MATERIALS REQUIRED

1. UL approved, 4' long, 40 AMP power cord (4 wire or 3 wire)
2. Squeeze connector (for conduit installations only)



INSTALLATION INSTRUCTIONS

PREPARE THE OPENING

All rough-in and spacing dimensions must be met for safe use of the appliance. Electricity to the range can be disconnected at the outlet without moving the range by removing the lower drawer if the outlet is in the preferred location.

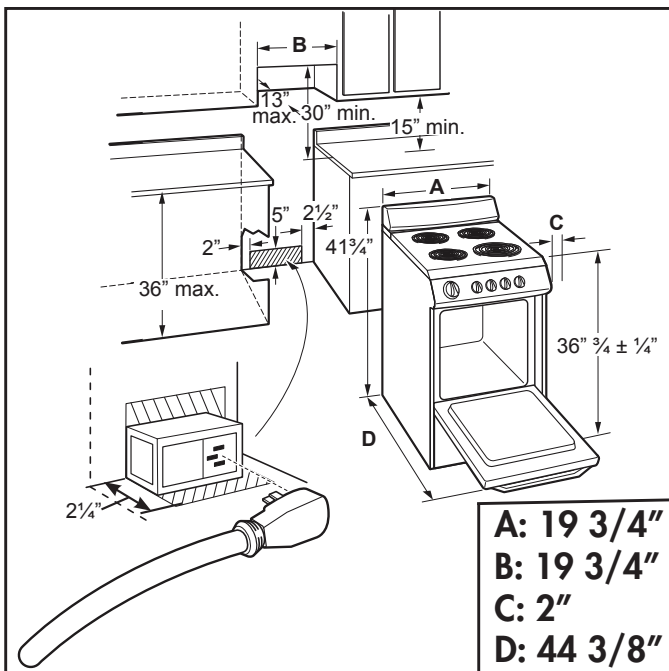
To reduce the risk of burns or fire when reaching over hot surface elements, cabinet storage space above the cooktop should be avoided. If cabinetry is present above the range, risk can be reduced by installing a range hood that sticks out at least 5 inches beyond the front of the cabinets. Cabinets installed above a cook top must be no deeper than 13 inches.

Make sure the cabinets and wall coverings around the range can withstand temperatures generated by the range.

Allow 2 inches of space from the range to the adjacent vertical walls above the cooktop surface.

Allow 30 inches minimum clearance between the surface elements and the bottom of unprotected wood or metal top cabinets and 15 inches minimum between the counter top and the adjacent cabinet bottom.

The range is heavy and can settle into soft floor coverings such as vinyl or carpeting. When installing the range on this type of flooring, it should be installed on a 1/4 inch thick sheet of plywood or similar material.



ELECTRICAL REQUIREMENTS

This appliance must be supplied with the proper voltage and frequency, and connected to an individual properly grounded branch circuit, protected by a circuit breaker or fuse having amperage as specified on the rating plate. The rating plate is located under the cooktop.

We recommend you have the electrical wiring and hookup of your range connected by a qualified electrician. After installation, have the electrician show you where your main range disconnect is located.

Check with your local utilities for electrical codes which apply in your area. Failure to wire your oven according to governing codes could result in a hazardous condition. If there are no local codes, your range must be wired and fused to meet the requirements of the National Electrical Code, ANSI/NFPA No. 70 - Latest Edition.

You can get a copy from: National Fire Protection Association, Batterymarch Park, Quincy, MA 02269

Effective January 1, 1996, the National Electrical Code requires that new construction (not existing) utilize a 4-conductor connection to an electric range.

You must use a 3-wire, single-phase A.C. 208Y/120 Volt or 240/120 Volt, 60 hertz electrical system. If you connect to aluminum wiring, properly installed connectors approved for use with aluminum wiring must be used.

If the electrical service provided does not meet the above specifications, have a licensed electrician install an approved outlet.

NOTE: Use of automatic, wireless, or wired external switches that shut off power to the appliance is not recommended for this product.

INSTALLATION INSTRUCTIONS

ELECTRICAL REQUIREMENTS

ALL NEW BRANCH CIRCUIT INSTALLATIONS, MOBILE HOMES, RECREATIONAL VEHICLES AND INSTALLATIONS WHERE LOCAL CODES DO NOT ALLOW GROUNDING THROUGH NEUTRAL, REQUIRE A 4-CONDUCTOR CORD OR CONDUIT

Use only a 3-conductor or a 4-conductor UL-listed range cord. These cords may be provided with ring terminals on wire and a strain relief device.

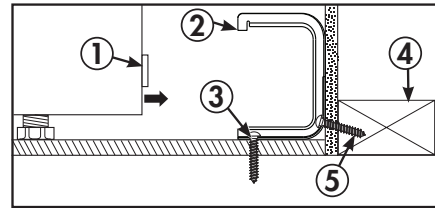
A range cord rated at 40 amps with 125/250 minimum volt range is required. A 50 amp range cord is not recommended but if used, it should be marked for use with nominal 1 3/8" diameter connection openings. Care should be taken to center the cable and strain relief within the knockout hole to keep the edge from damaging the cable.

Because range terminals are not accessible after the range is in position, a flexible service conduit or cord must be used.

On some models, a filter capacitor may be connected between the black and white leads on the junction block.

ANTI-TIP BRACKET INSTALLATION

1. Anti-tip arm on the back of the appliance
2. Anti-tip bracket
3. Screw must enter wood or concrete
4. Wall sill plate
5. Screw must enter wood



To reduce the risk of the appliance tipping, the anti-tip bracket must be installed before operation.

Note: The installation of the anti-tip bracket must meet all local codes for securing the appliance.

The anti-tip bracket must be secured to either the rear wall or the floor and must be positioned in such a way that it will overhang the anti-tip arm on the rear of the appliance.

Rear wall installation

Use the two screws provided to secure the bracket to the rear wall. The screws must enter a wood sill plate. If the wall contains any metal studs or similar materials, or if the back of the appliance cannot reach the rear wall, the floor installation should be used.

Floor installation

Wood floor: Use the two screws provided to secure the bracket to the floor.

Concrete floor:

1. Mark the location where the screws need to be installed.
2. Use a power drill and a concrete bit to drill a 5/32" pilot hole 2" deep into the concrete at the center of each of the marked locations.
3. Use the two screws provided to secure the bracket to the floor.

Double check the installation

After installing the bracket, slide the appliance into its final location. Look underneath the appliance and ensure that the anti-tip arm attached to the side panel of the appliance is engaging the bracket.

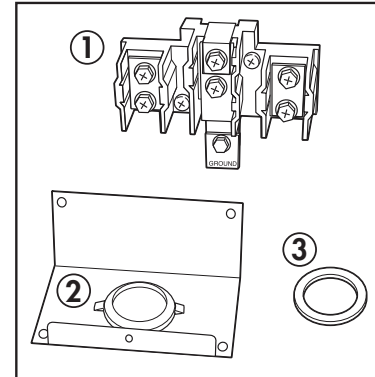
INSTALLATION INSTRUCTIONS

POWER CORD AND STRAIN RELIEF INSTALLATION

Remove the wire cover on the lower back of the range by removing its top center screw. Do not discard this screw.

Remove the knockout ring located on the bracket directly below the terminal block. To remove the knockout, use a pair of pliers to bend the knockout ring away from the bracket and twist until the ring is removed.

1. Terminal block
2. Knockout ring in bracket
3. Knockout ring removed



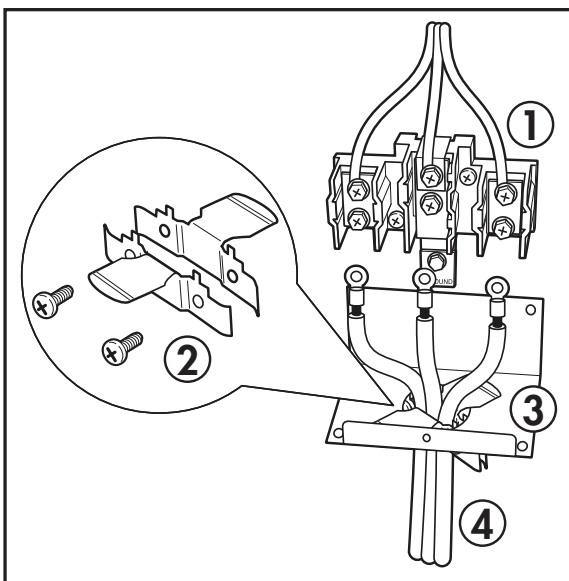
For power cord installations

Assemble the strain relief in the hole of the bracket. If tabs are present at the end of the winged strain relief they can be removed for a better fit.

Insert the power cord through the strain relief and tighten. Allow enough slack to easily attach the cord terminals to the terminal block.

Do not install the power cord without a strain relief. The strain relief bracket should be installed before reinstalling the rear range wiring cover.

1. Terminal block
2. Strain relief
3. Bracket
4. Power cord

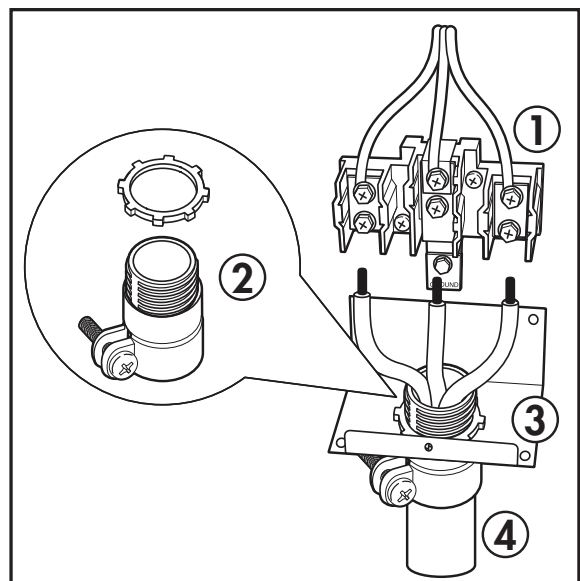


For conduit installations

Purchase a squeeze connector matching the diameter of your conduit and assemble it in the hole of the bracket. Insert the conduit through the squeeze connector and tighten. Allow enough slack to easily attach the wires to the terminal block.

Do not install the conduit without a squeeze connector. The squeeze connector should be installed before reinstalling the rear range wiring cover.

1. Terminal block
2. Squeeze connector
3. Bracket
4. Conduit

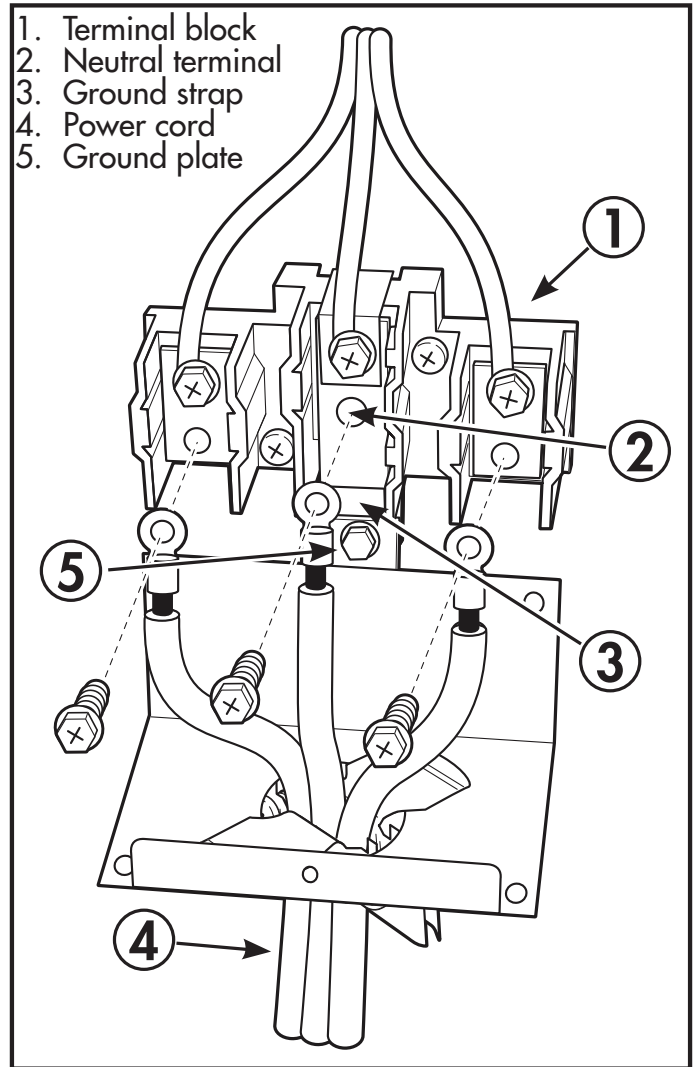


INSTALLATION INSTRUCTIONS

3 WIRE POWER CORD INSTALLATION

The neutral or ground wire of the power cord must be connected to the neutral terminal located in the center of the terminal block. The power leads must be connected to the lower left and the lower right terminals of the terminal block.

1. Remove the three lower terminal screws from the terminal block.
2. Insert the three terminal screws through each power cord terminal ring and into the lower terminals of the terminal block.
3. Be certain that the center wire is connected to the center lower position of the terminal block.
4. Tighten screws securely into the terminal block.
5. Do not remove the ground strap connection.



INSTALLATION INSTRUCTIONS

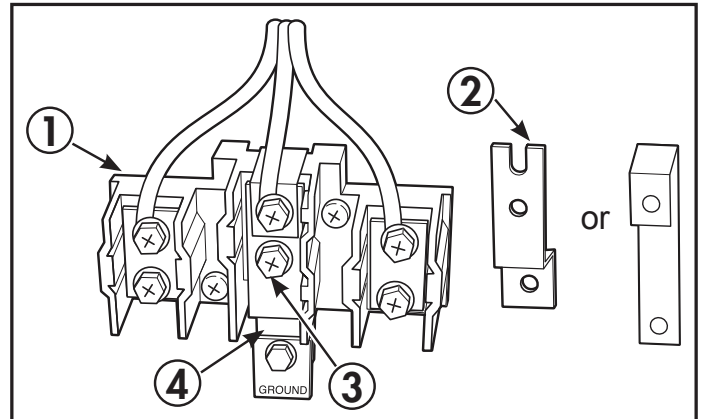
4 WIRE POWER CORD INSTALLATION

The neutral wire of the supply circuit must be connected to the neutral terminal located in the lower center of the terminal block. The power leads must be connected to the lower left and the lower right terminals of the terminal block. The 4th grounding lead must be connected to the frame of the range with the ground plate and the ground screw.

1. Remove the three lower terminal screws from the terminal block.
2. Remove the ground screw and ground plate and retain them.
3. Cut and discard the ground strap. Do not discard any screws.
4. Insert the one ground screw into the power cord ground wire terminal ring, through the ground plate and into the frame of the range.
5. Insert the three terminal screws that were removed earlier through each power cord terminal right and into the lower terminals of the terminal block.
6. Be certain that the center wire is connected to the center lower position of the terminal block.
7. Tighten the screws securely into the terminal block.

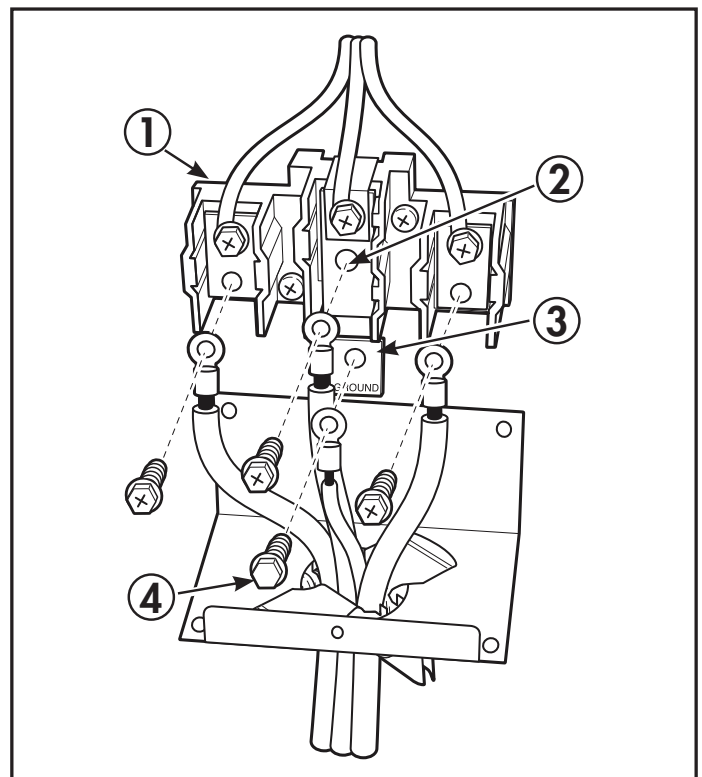
Before

1. Terminal block
2. Ground strap
3. Neutral terminal
4. Cut and discard the ground strap



After

1. Terminal block
2. Neutral terminal
3. Ground plate (grounding to range)
4. Ground screw



OPERATING INSTRUCTIONS

SURFACE COOKING CONTROLS

The surface heating elements of the appliance are designed for a variety of heat settings.

At both the HI and LO positions, there are slight indents and the knob will click into place in these positions. HI indicates the highest setting. LO indicates the lowest setting.

A sound of clicking may be heard from the appliance during use. This is normal and indicates that the heat setting selected is being maintained.

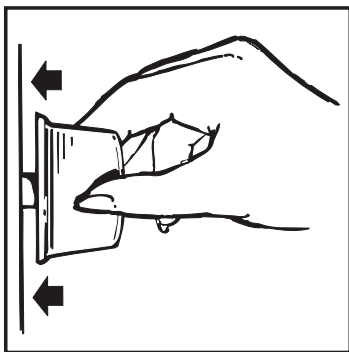
Changing to a higher heat setting will happen faster than changing to a lower heat setting as it will take time for the heat to dissipate.

SETTING THE CONTROLS

1. Push the control knob in.
2. Turn to the desired heat setting.

The knob only needs to be pushed in when moving out of the "OFF" position. When the knob is in any position other than "OFF", it can be turned without pushing in.

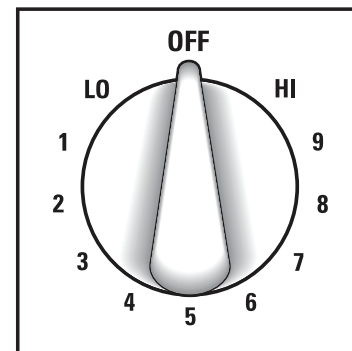
Ensure that the element is turned off when cooking is finished. An indicator light will glow when any heating element is turned on.



HEAT SETTING GUIDE

- HI - quick start for cooking; bringing water to a boil
- MEDIUM HIGH - Fast fry; pan broil; maintain a fast boil on a large amount of food
- MED - Sauté and brown; maintain a slow boil on a large amount of food
- MEDIUM LOW - Cereal; maintain the serving temperature of most foods
- LO - Cook after starting at HI; cook with little water in a covered pan; use to steam rice; melt chocolate or butter

Never leave food unattended while cooking. Boil overs cause smoking. Greasy spill overs may catch fire.



SURFACE COOKING TIPS

Use medium or heavyweight cookware. Aluminum cookware conducts heat faster than other metals. Cast-iron and coated cast-iron cookware is slow to absorb heat, but generally cooks evenly at low or medium heat settings. Steel pans may cook unevenly if not combined with other metals.

Do not overfill cookware with fat that may spill over when adding food. Frosty foods bubble vigorously. Watch foods frying at high temperatures. Keep range and hood clean from accumulated grease.

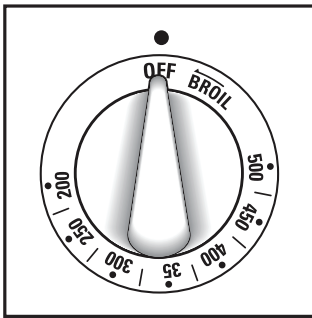
To conserve the most cooking energy, pans should be flat on the bottom, have straight sides and tight-fitting lids. Match the size of the saucepan to the size of the surface element. A pan that extends more than an inch beyond the edge of the drip pan traps heat, which causes "crazing" (fine hairline cracks) on porcelain, and discoloration ranging from blue to dark gray on chrome drip pans.

OPERATING INSTRUCTIONS

OVEN COOKING CONTROLS

To use the oven, turn the oven temperature knob to the desired cooking temperature. The oven knob is marked in 25 degree increments, from 200°F to BROIL.

The oven light glows until the oven reaches the selected temperature and then will turn off. During cooking, the light will turn on any time the oven needs to add more heat to maintain the selected temperature.



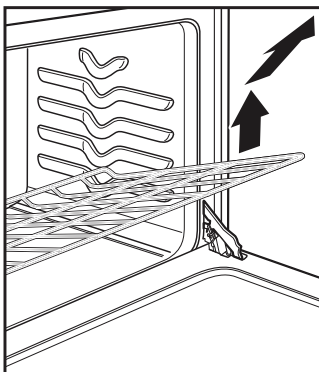
OVEN SHELVES

The oven shelves are designed with stop-locks so that when they are placed correctly on the shelf supports, they will stop before coming completely out of the oven and will not tilt when food is being removed or added.

To remove the shelves from the oven, pull the shelf outward, tilt the front end upward and pull it out.

To replace the shelves, place the shelf on the support with the stop locks facing up and toward the back of the oven. Tilt up the front and push the shelf toward the back of the oven until it goes past the bump on the shelf support, then lower the front of the shelf and push it all the way into the oven.

The oven has four different shelf support positions to accommodate different cooking requirements.



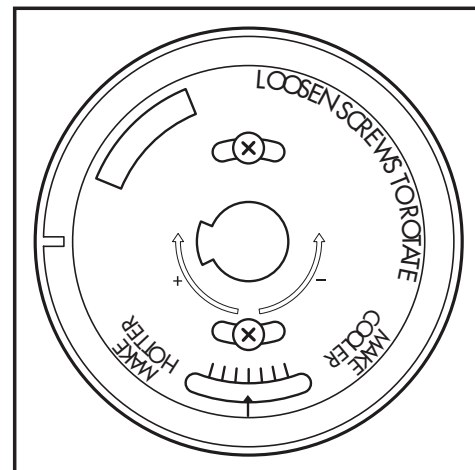
ADJUST THE OVEN THERMOSTAT

You may find that the new oven cooks differently than the one it replaced. Use the new oven for a few weeks to become familiar with it. If you still find the oven is too hot or too cold, you can adjust the thermostat.

Do not use thermometers, such as those found in grocery stores to check the temperature of the oven. They are not calibrated for high temperatures and can vary from 20 - 40 degrees.

This adjustment will not affect the broiling temperatures. The adjustment will be retained after a power failure.

1. Pull the oven temperature knob off the range and look at the back of it. To make an adjustment, loosen by one turn the two screws on the back of the knob. Do not completely remove the screws.
2. With the back of the knob facing you, hold the outer edge of the knob with one hand and turn the front of the knob with the other hand.
3. To increase the oven temperature, move the top screw toward the right.
4. To decrease the oven temperature, move the top screw toward the left.
5. You will hear a click for each notch you move the knob. Each click will change the oven temperature approximately 10°F. The range is plus or minus 60°F from the arrow. We suggest that you adjust the temperature by one click and then test the oven performance before adjusting further.
6. After the adjustment is made, retighten the screws so they are snug. Be careful not to over-tighten.
7. Replace the knob, matching the flat area of the knob to the shaft.



OPERATING INSTRUCTIONS

OVEN BAKING AND ROASTING

1. Position the shelves in the oven. If cooking on two shelves at the same time, stagger the pans for the best heat circulation.
2. Close the oven door. Turn oven temperature knob to the desired temperature.
3. Place the food on the center of the oven shelf. Allow at least 2 inches between the end of the pan and the oven wall or any adjacent pans.
4. Check the food regularly. Remove once done and ensure the oven is turned off.

SHELF POSITIONS

- Most baking is done on the second or third shelf position from the bottom of the oven.
- When baking multiple items, use two shelves positioned on the second and fourth shelf supports from the bottom of the oven.
- Bake angel food cakes on the first shelf position from the bottom of the oven.
- Roasting is usually done on the bottom shelf position.
- If preheating is necessary, watch the oven light and place food in the oven once the light goes out. The oven light will cycle on and off with the oven thermostat as it cycles to maintain an even temperature.

BAKING AND ROASTING TIPS

- Follow a tested recipe and measure the ingredients carefully. If you are using a package mix, follow label directions.
- Do not open the oven door while baking or roasting. Heat will be lost and the cook time might need to be extended. If you must open the door, open it partially and close it as quickly as possible.
- Roasting is cooking by dry heat. Tender meat or poultry can be roasted uncovered. Roasting temperatures, which should be low and steady, keep spattering to a minimum. When roasting, it is not necessary to sear, baste, cover, or add water to the meat.
- Frozen roasts of meat can be cooked without thawing, but allow 10 to 25 minutes of additional time per pound of meat (10 minutes per pound for roasts under 5 pounds, more time for larger roasts).
- Thaw frozen poultry before roasting to ensure even cooking. Some commercial frozen poultry can be cooked successfully without thawing. Follow directions given on package label.

OVEN BOILING

Broiling involves cooking food by intense radiant heat from the upper element in the oven. Most fish and tender cuts of meat can be boiled. Follow these steps to keep spattering and smoking to a minimum.

1. If the meat has fat or gristle around the edge, cut vertical slashes through both about 2" apart. If desired, fat may be trimmed, leaving a layer about 1/8" thick.
2. Place the meat on a broiler grid in a broiler pan designed for broiling. Always use the grid so the fat drips into the broiler pan; otherwise the juices may become hot enough to catch fire.
3. Place the shelf in one of the top two positions for most broiling.
4. Place the food in the oven and close the door. Always broil with the door closed.
5. Turn the oven temperature knob to BROIL.
6. Food can be turned during broiling if necessary. Be cautious of hot air or steam when opening the oven door.
7. Make sure to turn the oven temperature knob to OFF once broiling is complete.

BROILING TIPS

- If desired, marinate meats or chicken before broiling or brush with barbecue sauce in the last 5 - 10 minutes of cooking.
- When arranging food on a pan, do not let fatty edges hang over the sides as the dripping fat will soil the oven as it cooks.

CARE & MAINTENANCE

SURFACE ELEMENTS

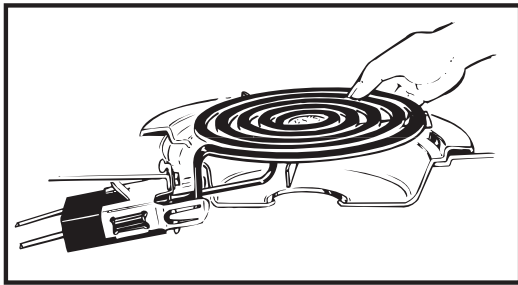
To clean the surface heating elements, turn the temperature control knob to the highest setting for one minute; this will burn off any food residue. Note that this could cause smoke, it is advisable to open a window or turn on a fan to avoid smoke build up.

Do not immerse the heating elements in liquids of any kind. Do not put heating elements into a dishwasher.

To remove the drip pans for cleaning, first remove the heating elements. Make sure the elements are cool before touching them.

Lift the element about 1" above the drip pan and pull to remove. Do not lift the element more than 1" as this can bend internal components and the element may not lie flat when it is replaced.

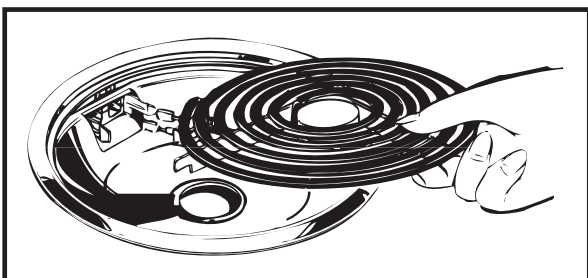
Remove the drip pan and clean as necessary. Drip pans can be cleaned in a dishwasher or by hand.



Once cleaning is complete, replace the drip pan in the recess in the cook top. Make sure the opening in the pan lines up with the receptacle.

Insert the terminals on the heating element through the opening in the drip pan and into the receptacle. Guide the element into place gently so that it rests evenly.

Do not attempt to clean, adjust or repair the receptacles in any way.



CLEANING

Porcelain enamel cook top

The porcelain enamel finish on the cook top is sturdy but can be damaged if misused. Any acidic foods such as fruit juices, tomato or vinegar, should not be permitted to remain on the finish for any length of time.

Lift up cook top

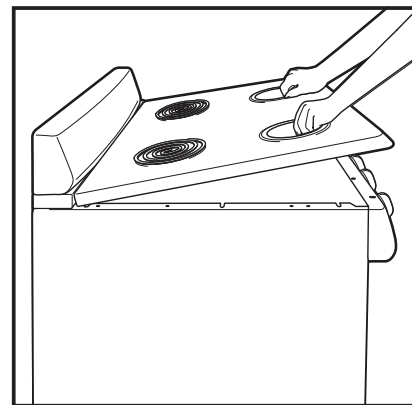
The cook top can be lifted so the area underneath can be cleaned. Spills that overflow the drip pans, especially grease, should be cleaned to avoid build up and possible smoking or ignition.

Ensure the heating elements are turned off and cool before lifting the cook top.

Remove the heating elements and the drip pans.

Lift the cook top and prop open with the internal rod for easier cleaning. This area can be cleaned with hot, soapy water and a clean cloth.

Once complete, return the internal prop rod to its initial position and lower the cook top until it snaps into position. Be careful not to pinch your fingers. Replace the drip pans and heating elements.



CARE & MAINTENANCE

Porcelain oven interior

With proper care, the porcelain enamel interior will retain its finish for many years.

Soap and water can be used to clean the interior. Heavy splattering or spills may require cleaning with a mild abrasive cleaner.

Do not allow spills with high acid content such as milk, tomatoes, fruit juices or pie filling, to remain on the surface. They may cause dull spots even after cleaning.

Household ammonia may make cleaning easier. Place 1/2 cup of ammonia in a shallow glass pan and leave in a cold oven overnight. The ammonia fumes will help loosen burned on grease and food.

Cautions about using spray-on oven cleaners

Do not spray oven cleaner on the electrical controls and switches as it could cause a short circuit and result in sparking or fire.

Do not spray oven cleaner directly onto the oven heating elements.

Do not allow a film from the oven cleaner to remain on the temperature sensor as it could cause the oven to heat improperly. The sensor is located on the top of the oven. Carefully wipe the bulb clean after each oven cleaning, being careful not to move the sensor since a change in its position could affect how the oven bakes.

Do not spray oven cleaner on the outside of the oven door, handles or any exterior surface of the oven, cabinet or painted surfaces. The cleaner can damage these surfaces.

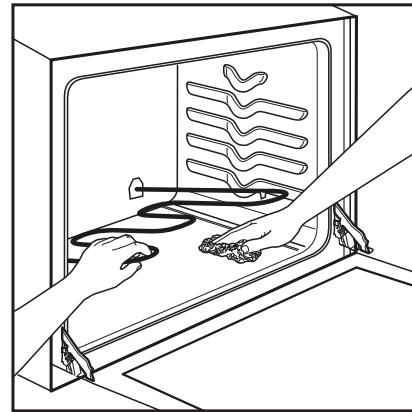
Oven shelves

Clean the shelves with an abrasive cleaner or steel wool. After cleaning, rinse the shelves with clean water and dry with a clean cloth.

Oven heating elements

Do not clean the bake element or the broil element. Any food residue will burn off when the elements are heated.

The bake element can be gently lifted to clean the oven floor. Ensure the element is cool before cleaning.



Control knobs

The control knobs may be removed for easier cleaning. Make sure the knobs are in the "OFF" position and then pull straight off the stems for cleaning.

The knobs can be cleaned in a dishwasher or by hand. Make sure the insides of the knobs are dry before replacing on the appliance.

Painted surfaces

The painted surfaces include the sides, the control panel, the door and the kick plate. Clean these with soap and water or a vinegar and water solution.

Do not use commercial oven cleaners, cleansing powders, steel wool or harsh abrasives on any painted surface.

CARE & MAINTENANCE

REMOVABLE OVEN DOOR

The oven door is removable but it is heavy. It is recommended that at least two people work together to remove it.

To remove the door:

1. Open the door to the full open position.
2. Pull the hinge locks up over the hinge hooks on both sides.
3. Grasp the door firmly on both sides, lift slightly and pull it straight out and away from the oven.

To replace the door:

1. Firmly grasp both sides of the door at the top.
2. Insert and seat the upper and lower hinge arms into the oven slots.
3. Push the hinge locks down from the hinge hooks.
4. Close the oven door and make sure it is working properly. If it seems uneven or does not close completely, remove it again and repeat the steps to replace it.

Note: Do not attempt to close the door until it is properly installed. The hinges could be damaged.

Glass door window

To clean the outside of the glass door window, use a glass cleaner. Rinse and polish with a dry cloth.

Avoid scratching or impacting the glass window. Doing so may cause the glass to break.

OVEN LIGHT REPLACEMENT

Important: Before replacing the oven light bulb, make sure the electrical power is disconnected from the appliance. Failure to do so may result in electric shock or burn.

Be sure to let the light cover and bulb cool completely before replacing.

Removing the oven door can make this process easier.

To remove the light cover:

1. Twist the lens counterclockwise roughly 1/4 turn to remove. Do not remove any screws to remove the light cover.
2. Do not touch the light bulb with a wet cloth. Replace the light bulb with a 40 watt appliance light bulb.

To replace the light cover:

1. Line up the tabs of the lens with the tabs on the light housing and rotate clockwise by roughly 1/4 turn to install.

TROUBLESHOOTING

Danby Consumer Care: 1-800-263-2629

Hours of operation:

Monday to Thursday 8:30 am - 6:00 pm Eastern Standard Time

Friday 8:30 am - 4:00 pm Eastern Standard Time

Information in this manual is subject to change without notice.

PROBLEM	POSSIBLE CAUSE
No power	<ul style="list-style-type: none">• A fuse may be blown or the circuit breaker tripped• Plug not fully inserted into the wall outlet
Surface elements not working properly	<ul style="list-style-type: none">• The elements are not properly installed• The controls are not set correctly• The drip pans are not set securely in the cook top
Food does not broil properly	<ul style="list-style-type: none">• Oven temperature is not properly set• Shelf position is too low• Cookware is not suited for broiling• Aluminum foil is being used and is blocking air flow
Food does not bake or roast properly	<ul style="list-style-type: none">• Oven temperature is not properly set• Shelf position is incorrect• Oven was not pre-heated• Cookware is not suited for baking or roasting
Oven light does not work	<ul style="list-style-type: none">• Light bulb is loose• Light switch is not operating correctly

LIMITED "IN HOME" WARRANTY

This quality product is warranted to be free from manufacturer's defects in material and workmanship, provided that the unit is used under the normal operating conditions intended by the manufacturer.

This warranty is available only to the person to whom the unit was originally sold by Danby Products Limited (Canada) or Danby Products Inc. (U.S.A.) (hereafter "Danby") or by an authorized distributor of Danby, and is non-transferable.

TERMS OF WARRANTY

Plastic parts are warranted for thirty (30) days from the date of purchase, with no extensions provided.

First 12 months During the first **twelve (12) months**, any functional parts of this product found to be defective, will be repaired or replaced, at warrantor's option, at no charge to the original purchaser.

To obtain service Contact the dealer where the unit was purchased, or contact the nearest authorized Danby service depot, where service must be performed by a qualified service technician. If service is performed on the unit by anyone other than an authorized service depot, all obligations of Danby under this warranty shall be void.

Boundaries of in-home service Danby reserves the right to limit the boundaries of "In Home Service" to the proximity of an authorized service depot. Any appliance requiring service outside the limited boundaries of "In Home Service", will be the consumer's responsibility to transport at their own expense to the original point of purchase or a service depot for repair. If the appliance is installed in a location that is **100 kilometers (62 miles)** or more from the nearest service center, it must be delivered to the nearest authorized Danby Service Depot by the purchaser.

Transportation charges to and from the service location are not protected by this warranty and are the responsibility of the purchaser.

Nothing within this warranty shall imply that Danby will be responsible or liable for any spoilage or damage to food or other contents of this appliance, whether due to any defect of the appliance, or its use, whether proper or improper.

EXCLUSIONS

Save as herein provided, by Danby, there are no other warranties, conditions, representations or guarantees, express or implied, made or intended by Danby or its authorized distributors and all other warranties, conditions, representations or guarantees, including any warranties, conditions, representations or guarantees under any Sale of Goods Act or like legislation or statute is hereby expressly excluded. Save as herein provided, **Danby shall not be responsible for any damages to persons or property, including the unit itself, howsoever caused or any consequential damages arising from the malfunction of the unit and by the purchase of the unit, the purchaser does hereby agree to indemnify and hold harmless Danby from any claim for damages to persons or property caused by the unit.**

GENERAL PROVISIONS

No warranty or insurance herein contained or set out shall apply when damage or repair is caused by any of the following:

- 1) Power failure.
- 2) Damage in transit or when moving the appliance.
- 3) Improper power supply such as low voltage, defective house wiring or inadequate fuses.
- 4) Accident, alteration, abuse or misuse of the appliance such as inadequate air circulation in the room or abnormal operating conditions (ie. extremely high or low room temperature).
- 5) Use for commercial or industrial purposes (ie. If the appliance is not installed in a domestic residence).
- 6) Fire, water damage, theft, war, riot, hostility, acts of God such as hurricanes, floods etc.
- 7) Service calls resulting in customer education.
- 8) Improper Installation (ie. Building-in of a free standing appliance or using an appliance outdoors that is not approved for outdoor application, including but not limited to: garages, patios, porches or anywhere that is not properly insulated or climate controlled).

Proof of purchase date will be required for warranty claims; retain bills of sale. In the event that warranty service is required, present the proof of purchase to our authorized service depot.

**Warranty Service
In Home**

Danby Products Limited
PO Box 1778, Guelph, Ontario, Canada N1H 6Z9
Telephone: (519) 837-0920 FAX: (519) 837-0449

**1-800-263-2629
04/17**

Danby Products Inc.
PO Box 669, Findlay, Ohio, U.S.A. 45840
Telephone: (419) 425-8627 FAX: (419) 425-8629

Bienvenido

Bienvenido a la familia Danby. Estamos orgullosos de nuestros productos de calidad y creemos en un servicio confiable. Sugerimos que lea este manual del propietario antes de conectar el nuevo aparato ya que contiene información importante sobre la operación, información de seguridad, solución de problemas y consejos de mantenimiento para garantizar la fiabilidad y longevidad de su electrodoméstico.

Visite **www.Danby.com** para acceder a herramientas de autoservicio, preguntas frecuentes y mucho más. Para asistencia adicional, llame al **1-800-263-2629**.

Tenga en cuenta la información siguiente; Necesitará esta información para obtener un servicio bajo garantía.

Debe proporcionar el recibo de compra original para validar su garantía y recibir servicio.

Número de modelo: _____

Número de serie: _____

Fecha de compra: _____

Necesitas ayuda?

Antes de llamar al servicio, aquí hay algunas cosas que puede hacer para ayudarnos a servirle mejor.

Lea este manual del propietario:

Contiene instrucciones para ayudarlo a usar y mantener su aparato correctamente.

Si recibe un aparato dañado:

Inmediatamente póngase en contacto con el minorista o el constructor que le vendió el aparato.

Ahorre tiempo y dinero:

Consulte la sección de solución de problemas al final de este manual antes de llamar. Esta sección le ayudará a resolver problemas comunes que pueden ocurrir.



1-800-26- Danby
(1-800-263-2629)



Importantes Instrucciones de Seguridad

LEA Y SIGA TODAS LAS INSTRUCCIONES DE SEGURIDAD

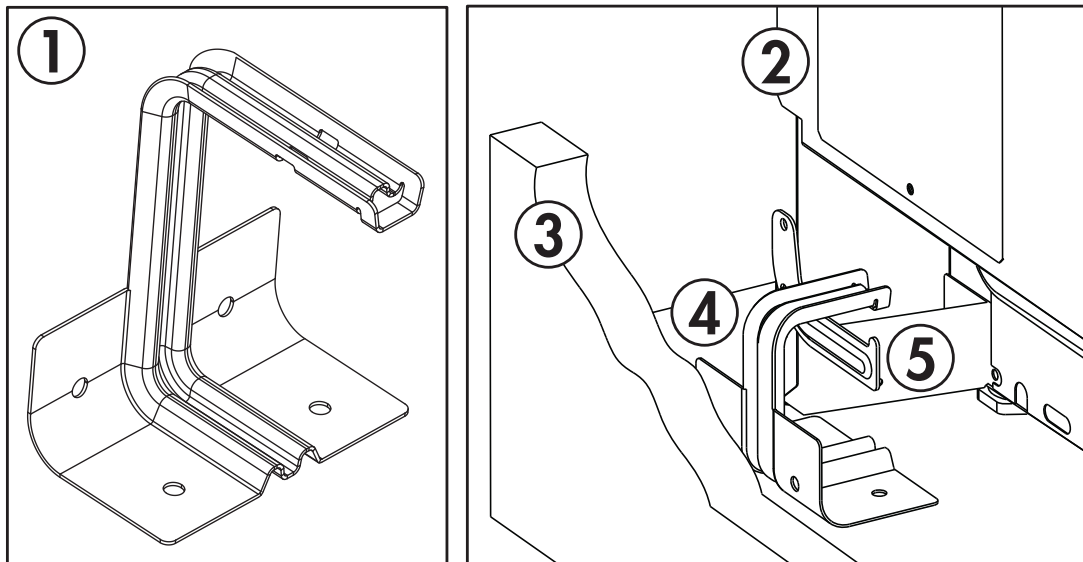
ADVERTENCIA - PELIGRO DE VUELCO

- Un niño o adulto puede inclinar el aparato y morir.
- Verifique que el soporte antivuelco se haya instalado y enganchado correctamente al piso o la pared.
- Asegúrese de volver a acoplar el soporte antivuelco cuando se mueve el rango deslizando el brazo antivuelco debajo del soporte.
- No opere el rango sin el soporte antivuelco en su lugar y enganchado.
- El incumplimiento de estas instrucciones puede ocasionar la muerte o quemaduras graves a niños o adultos.

SOPORTE ANTI-VOLCADURAS

Para reducir el riesgo de vuelco del dispositivo, se proporciona un soporte antivuelco que debe instalarse antes de operar el aparato. Consulte las instrucciones de instalación enviadas con el soporte para obtener detalles completos.

1. Soporte antivuelco
2. Panel lateral derecho
3. Pared posterior
4. Soporte antivuelco
5. Brazo antivuelco



Para verificar si el soporte está instalado y enganchado correctamente, mire debajo del rango para ver que el brazo antivuelco unido al panel lateral derecho esté enganchado en el soporte. En algunos modelos, el cajón de almacenamiento o el panel de protección se puede quitar para facilitar la inspección.

Si no es posible la inspección visual, deslice el rango hacia adelante, confirme que el soporte antivuelco esté firmemente sujeto al piso o la pared y deslice el rango hacia atrás para que el brazo antivuelco se deslice debajo del soporte antivuelco. Si el alcance se tira de la pared por alguna razón, siempre repita este procedimiento para verificar que el rango esté correctamente asegurado por el soporte antivuelco.

¡GUARDE ESTAS INSTRUCCIONES!



Importantes Instrucciones de Seguridad

LEA Y SIGA TODAS LAS INSTRUCCIONES DE SEGURIDAD

INSTRUCCIONES GENERALES DE SEGURIDAD

Asegúrese de que el artefacto esté correctamente instalado y conectado a tierra por un técnico calificado.

Nunca use el aparato para calentar o calentar la habitación.

No se debe dejar a los niños solos o sin supervisión en el área donde se usa el electrodoméstico. Nunca se debe permitir que los niños se sienten o se paren en ninguna parte del aparato.

No guarde artículos de interés para niños en armarios encima de un rango o en la parte posterior de un rango. Los niños que suban a la cocina para alcanzar artículos podrían sufrir lesiones graves.

Las prendas sueltas o colgantes nunca deben usarse mientras se usa el aparato.

No repare ni reemplace ninguna pieza del artefacto a menos que se lo recomiende específicamente en el manual. Todos los otros servicios deben ser referidos a un técnico calificado.

Los materiales inflamables no deben almacenarse en el aparato ni cerca de él.

No use agua en incendios de grasa. Apague el fuego o la llama o use un químico seco o un extinguidor de espuma.

Use solo agarraderas secas. Las agarraderas húmedas o húmedas sobre superficies calientes pueden provocar quemaduras por vapor. No permita que el soporte de la olla toque los elementos calientes de calentamiento. No use una toalla u otro paño voluminoso.

Si se pierde potencia en una superficie de cocción eléctrica mientras está activado un elemento de superficie, el elemento de superficie se volverá a encender tan pronto como se restablezca la energía. En el caso de una pérdida de potencia, si no se colocan las perillas de los elementos de la superficie en la posición de apagado, es posible que se enciendan los objetos en la superficie de cocción o cerca de ella, lo que puede ocasionar lesiones graves o la muerte.

Para evitar la posibilidad de una quemadura o una descarga eléctrica, asegúrese siempre de que los controles para todos los elementos de la superficie estén en la posición de apagado y de que todas las bobinas estén frías antes de intentar levantar o quitar un elemento de cocción de la bobina.

INSTRUCCIONES DE SEGURIDAD DE LA ESTUFA

Use el tamaño de bandeja adecuado. Este electrodoméstico está equipado con cuatro quemadores de diferentes tamaños. Seleccione utensilios que tengan fondos planos lo suficientemente grandes como para cubrir la superficie del elemento calefactor. El uso de utensilios de menor tamaño expone una parte del elemento calefactor al contacto directo y puede provocar la ignición de la ropa. La relación adecuada entre el utensilio y el quemador también mejorará la eficiencia.

Nunca deje el aparato desatendido mientras está en uso. La ebullición provoca el tabaquismo y los derrames grasientos pueden encenderse.

Nunca deje el aceite desatendido mientras fríe. Si se le permite calentar más allá de su punto de fumo, el aceite puede encenderse y provocar un incendio que puede extenderse a los gabinetes circundantes. Use un termómetro de grasa profunda siempre que sea posible para controlar la temperatura del aceite.

Para evitar derrames de aceite e incendios, use una cantidad mínima de aceite cuando fríe en sartén poco profundo y evite cocinar alimentos congelados con cantidades excesivas de hielo.

Asegúrese de que las bandejas reflectoras o los recipientes de goteo estén en su lugar. La ausencia de estas fuentes o tazones durante la cocción puede someter el cableado o los componentes que se encuentran debajo a daños.

No use papel de aluminio para revestir recipientes de goteo o fondos de horno, excepto como se sugiere en el manual. La instalación incorrecta de estos forros puede provocar un riesgo de descarga eléctrica o incendio.

Solo ciertos tipos de vidrio, cerámica, loza u otros utensilios acristalados son adecuados para el servicio de gama alta sin romperse debido a un cambio brusco de temperatura.

Para reducir el riesgo de quemaduras, ignición de materiales inflamables y derrames debido a un contacto involuntario, el mango de un utensilio debe colocarse de manera que se gire hacia adentro y no se extienda a los quemadores adyacentes.

Los elementos calefactores extraíbles nunca deben sumergirse en agua.

¡GUARDE ESTAS INSTRUCCIONES!



Importantes Instrucciones de Seguridad

LEA Y SIGA TODAS LAS INSTRUCCIONES DE SEGURIDAD

INSTRUCCIONES DE SEGURIDAD DE LA ESTUFA ADVERTENCIA - EN CASO DE INCENDIO

Tenga cuidado al abrir la puerta. Deje escapar el aire caliente o el vapor antes de quitar o reemplazar los alimentos.

No caliente los recipientes de comida sin abrir. La acumulación de presión puede hacer que el contenedor estalle y provoque lesiones.

Mantenga las ventilaciones del horno sin obstrucciones.

Siempre coloque los estantes del horno en la ubicación deseada mientras el horno esté frío. Si la parrilla debe moverse mientras el horno está caliente, no permita que el soporte de la olla entre en contacto con el elemento de calentamiento caliente en el horno.

Tire de la parrilla del horno a la posición de bloqueo de parada cuando cargue y descargue alimentos del horno. Esto ayuda a evitar que las quemaduras toquen las superficies calientes de la puerta y las paredes del horno.

No use el horno si un elemento calefactor desarrolla un punto brillante durante el uso o muestra otros signos de daño. Una mancha brillante indica que el elemento de calentamiento puede fallar y presentar un peligro potencial de quemaduras, incendios o descargas eléctricas. Apague el horno inmediatamente y haga que un técnico de servicio calificado lo reemplace.

NO TOQUE LOS ELEMENTOS DE CALEFACCIÓN O LAS ZONAS CERCA DE ELLOS

Los elementos de calefacción en la superficie o en el interior del aparato pueden estar calientes aunque sean de color oscuro. Las áreas cercanas a los elementos de calentamiento pueden calentarse lo suficiente como para causar quemaduras. Durante y después del uso, no toque ni deje que la ropa u otros materiales inflamables entren en contacto con los elementos calefactores o las áreas cercanas hasta que hayan tenido tiempo suficiente para enfriarse. Las superficies del aparato pueden calentarse lo suficiente como para causar quemaduras, entre ellas se encuentran las aberturas de ventilación del horno y las superficies cercanas a estas aberturas, puertas del horno y ventanas del horno.

En caso de incendio, nunca levante una olla o sartén llameante. Apague el quemador si es seguro hacerlo. Apague el fuego con un químico seco o un extinguidor de espuma.

No use agua en incendios de grasa. El agua extenderá la grasa y no extinguirá el fuego. Apague el fuego con una tapa de olla ajustada, bandeja para hornear galletas o bandeja plana o use un químico seco o un extinguidor de espuma.

Si hay un incendio en el horno durante la cocción, sofoque el fuego cerrando la puerta del horno y apagándolo o use un químico seco o un extinguidor de espuma.

WARNING

Para reducir el riesgo de quemaduras, no mueva este electrodoméstico mientras esté caliente. Para reducir el riesgo de lesiones debido a la inclinación del artefacto, verifique la reinstalación de este artefacto en el dispositivo antivuelco provisto y bloquee las ruedas una vez que haya regresado el artefacto a la posición original instalada.

¡GUARDE ESTAS INSTRUCCIONES!

INSTRUCCIONES DE INSTALACIÓN

ANTES DE COMENZAR

Guarde estas instrucciones para referencia futura.

La instalación de este electrodoméstico requiere habilidades mecánicas básicas y aproximadamente de 1 a 3 horas de tiempo.

La instalación correcta es responsabilidad del instalador. La falla del producto debido a una instalación incorrecta no está cubierta por la garantía.

Antes de comenzar la instalación, desconecte la energía en el panel de servicio y bloquee los medios de desconexión del servicio para evitar que la energía se encienda accidentalmente. Si los medios de desconexión del servicio no se pueden bloquear, fije con seguridad un dispositivo de advertencia, como una etiqueta, al panel de servicio.

Asegúrese de que el artefacto y el tomacorriente que utilizará estén debidamente instalados y puestos a tierra por un técnico calificado.

ADVERTENCIA - El uso incorrecto del enchufe de conexión a tierra puede ocasionar un riesgo de descarga eléctrica. Consulte a un electricista o agente de servicio calificado si las instrucciones de conexión a tierra no se comprenden completamente, o si existe una duda acerca de si el artefacto está correctamente conectado a tierra.

No conecte su electrodoméstico a los cables de extensión o junto con otro electrodoméstico en la misma toma de corriente. No empalmes el cable de alimentación. Bajo ninguna circunstancia corte o retire la tercera clavija de tierra del cable de alimentación. No use cables de extensión ni adaptadores sin conexión a tierra (dos clavijas).

Si el cable de alimentación está dañado, debe ser reemplazado por el fabricante, su agente de servicio o una persona calificada similar para evitar el riesgo.

Retire todos los materiales de embalaje antes de la instalación.

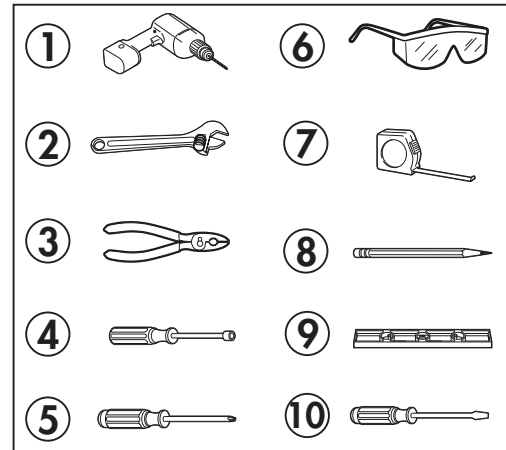
NIVEL EL APARATO

Asegúrese de que el electrodoméstico esté nivelado correctamente para garantizar una cocción pareja. Las patas niveladoras están ubicadas en cada esquina del artefacto.

1. Gire las patas en sentido contrario a las agujas del reloj hasta que toquen la parte inferior del gabinete.
2. Gire lentamente las piernas en el sentido de las agujas del reloj hasta que el electrodoméstico esté nivelado.
3. Use un nivel de burbuja o una taza medidora medio llena de agua para verificar si el artefacto está nivelado.

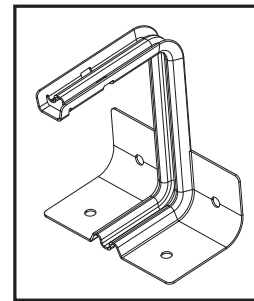
HERRAMIENTAS REQUERIDAS

1. Taladro con una broca de 1/8 pulgadas
2. Llave ajustable
3. Alicates
4. para tuercas de 1/4 pulgadas
5. destornillador Phillips
6. Lentes de seguridad
7. Cinta métrica
8. Lápiz
9. Nivel
10. Destornillador de punta plana



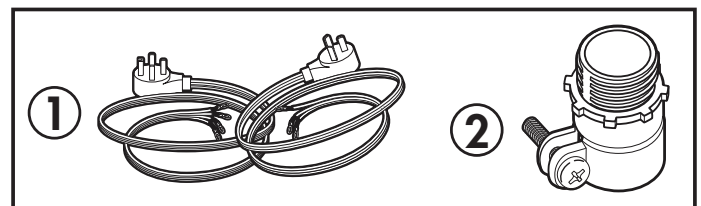
PIEZAS INCLUIDAS

1. Soporte antivuelco



MATERIALES NECESARIOS

1. Aprobado por UL, cable de alimentación de 4" de largo, 40 AMP (4 hilos o 3 hilos)
2. Conector de compresión (solo para instalaciones de conductos)



INSTRUCCIONES DE INSTALACIÓN

PREPARE LA APERTURA

Se deben cumplir todas las dimensiones aproximadas y espaciadas para un uso seguro del artefacto. La electricidad del rango se puede desconectar en la salida sin mover el rango retirando el cajón inferior si el tomacorriente está en la ubicación preferida.

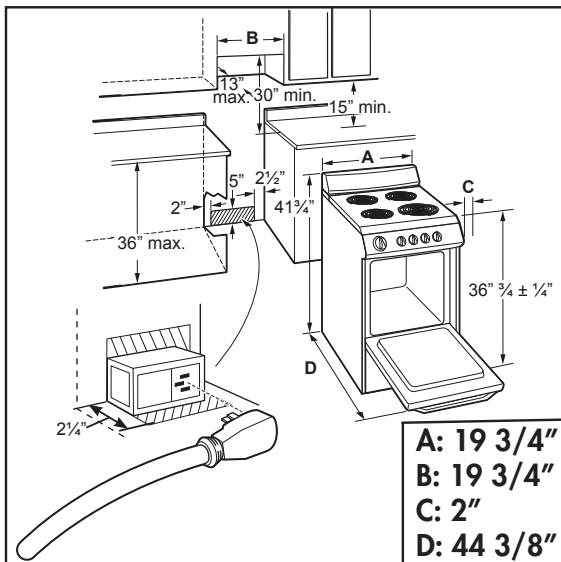
Para reducir el riesgo de quemaduras o fuego cuando se llega a elementos calientes de la superficie, se debe evitar el espacio de almacenamiento del gabinete sobre la superficie de cocción. Si el gabinete está presente por encima del rango, el riesgo puede reducirse instalando una campana extractora que sobresalga por lo menos 5 pulgadas más allá de la parte frontal de los gabinetes. Los gabinetes instalados encima de una superficie de cocción no deben tener una profundidad inferior a 13 pulgadas.

Asegúrese de que los gabinetes y revestimientos de paredes alrededor del rango puedan soportar las temperaturas generadas por el rango.

Deje 2 pulgadas de espacio del rango a las paredes verticales adyacentes sobre la superficie de la cubierta.

Deje un espacio mínimo de 30 pulgadas entre los elementos de la superficie y la parte inferior de los gabinetes superiores de madera o metal sin protección y de 15 pulgadas como mínimo entre la parte superior del mostrador y la parte inferior del gabinete adyacente.

El rango es pesado y puede instalarse en revestimientos de suelos suaves como vinilos o alfombras. Al instalar el rango en este tipo de pisos, debe instalarse en una hoja de madera contrachapada de 1/4 pulgada de espesor o material similar.



REQUISITOS ELÉCTRICOS

Este electrodoméstico se debe suministrar con el voltaje y la frecuencia adecuados, y se debe conectar a un circuito derivado individual con conexión a tierra adecuada, protegido por un interruptor automático o fusible con el amperaje especificado en la placa de características. La placa de características se encuentra debajo de la cubierta.

Le recomendamos que tenga el cableado eléctrico y la conexión de su rango conectados por un electricista calificado. Después de la instalación, haga que el electricista le muestre dónde se encuentra la desconexión de su alcance principal.

Verifique con los servicios públicos locales los códigos eléctricos que se aplican en su área. Si no conecta su horno de acuerdo con los códigos vigentes, podría producirse una situación peligrosa. Si no hay códigos locales, su rango debe estar cableado y fusionado para cumplir con los requisitos del Código Eléctrico Nacional, ANSI / NFPA No. 70 - Última edición.

Puede obtener una copia de: Asociación Nacional de Protección contra Incendios, Batterymarch Park, Quincy, MA 02269

A partir del 1 de enero de 1996, el Código Eléctrico Nacional exige que las construcciones nuevas (que no existen) utilicen una conexión de 4 conductores a un rango eléctrico.

Debe utilizar un sistema eléctrico de 3 hilos, monofásico A.C. 208Y / 120 Voltios o 240/120 Voltios, 60 hertz. Si se conecta al cableado de aluminio, se deben usar conectores instalados apropiadamente aprobados para su uso con cableado de aluminio.

Si el servicio eléctrico provisto no cumple con las especificaciones anteriores, haga que un electricista autorizado instale un tomacorriente aprobado.

NOTA: No se recomienda el uso de interruptores externos automáticos, inalámbricos o por cable que desconectan la alimentación del electrodoméstico.

INSTRUCCIONES DE INSTALACIÓN

REQUISITOS ELÉCTRICOS

ALTO TODAS LAS CONSTRUCCIONES NUEVAS, CASES RODANTES E INSTALACIONES DONDE LAS REGLAMENTACIONES LOCALES NO PERMITAN A TERRIZAR LOS EQUIPOS A TRAVÉS DEL CABLE NEUTRO, REQUIEREN UN CABLE CONDUCTOR DE 4-HILOS APROBADO POR UL.

Use solo un cable de rango listado por UL de 3 o 4 conductores. Estos cables pueden estar provistos de terminales de anillo en el cable y un dispositivo de alivio de tensión.

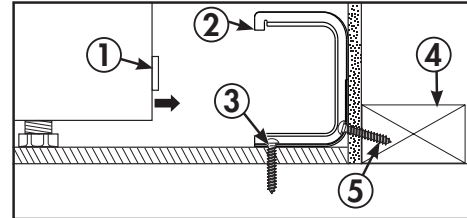
Se requiere un cable de rango de 40 amperios con un rango de voltaje mínimo de 125/250. No se recomienda un cable de rango de 50 amperios, pero si se usa, debe marcarse para su uso con aberturas de conexión nominales de 1 3/8" de diámetro. Se debe tener cuidado para centrar el cable y aliviar la tensión dentro del orificio ciego para evitar que el borde dañe el cable.

Debido a que no se puede acceder a los terminales del rango después de que el rango esté en posición, se debe usar un conducto o cable de servicio flexible.

En algunos modelos, un condensador de filtro se puede conectar entre los cables negro y blanco en el bloque de unión.

INSTALACIÓN DEL SOPORTE ANTIVUELCO

1. Brazo antivuelco en la parte posterior del dispositivo
2. Soporte antivuelco
3. El tornillo debe ingresar a madera u hormigón
4. Placa de umbral de pared
5. El tornillo debe ingresar a la madera



Para reducir el riesgo de que el aparato se vuelque, el soporte antivuelco debe instalarse antes de la operación.

Nota: La instalación del soporte antivuelco debe cumplir con todos los códigos locales para asegurar el aparato.

El soporte antivuelco debe fijarse a la pared posterior o al piso y debe colocarse de manera que sobresalga del brazo antivuelco en la parte posterior del artefacto.

Instalación de pared trasera

Use los dos tornillos provistos para asegurar el soporte a la pared posterior. Los tornillos deben ingresar a una placa de umbral de madera. Si la pared contiene pernos metálicos o materiales similares, o si la parte posterior del electrodoméstico no puede alcanzar la pared posterior, se debe usar la instalación del piso.

Instalación de piso

Piso de madera: Use los dos tornillos provistos para asegurar el soporte al piso.

Piso de concreto:

1. Marque la ubicación donde los tornillos deben ser instalados.
2. Use un taladro eléctrico y una broca de hormigón para perforar un orificio piloto de 5/32 pulgadas a una profundidad de 2 pulgadas en el concreto en el centro de cada una de las ubicaciones marcadas.
3. Use los dos tornillos provistos para asegurar el soporte al piso.

Verifica la instalación

Después de instalar el soporte, deslice el dispositivo a su ubicación final. Mire debajo del electrodoméstico y asegúrese de que el brazo antivuelco conectado al panel lateral del electrodoméstico esté enganchado al soporte.

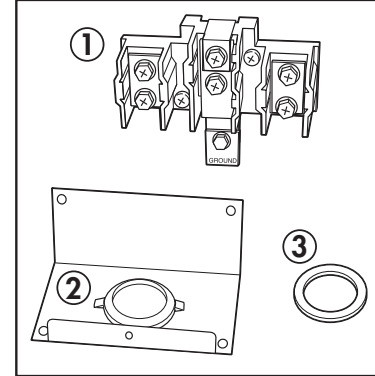
INSTRUCCIONES DE INSTALACIÓN

INSTALACIÓN DEL CORDÓN DE ALIMENTACIÓN Y ALIVIO DE LA TENSION

Retire la cubierta del cable en la parte inferior trasera del rango quitando el tornillo central superior. No descartar este tornillo.

Retire el anillo obturador ubicado en el soporte directamente debajo del bloque de terminales. Para quitar el orificio ciego, use un par de alicates para doblar el anillo obturador lejos del soporte y gírelo hasta que se quite el anillo.

1. Bloque de terminales
2. Anillo extraíble en el soporte
3. Anillo extraíble eliminado



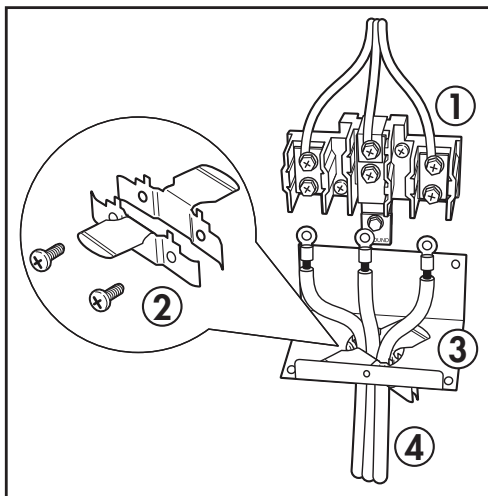
Para instalaciones de cable de alimentación

Ensamble el alivio de tensión en el orificio del soporte. Si las pestañas están presentes al final del alivio de tensión con alas, se pueden quitar para un mejor ajuste.

Inserte el cable de alimentación a través del alivio de tensión y apriételo. Permita suficiente holgura para unir fácilmente los terminales del cable al bloque de terminales.

No instale el cable de alimentación sin un alivio de tensión. El soporte de alivio de tensión debe instalarse antes de volver a instalar la cubierta de cableado del rango posterior.

1. Bloque de terminales
2. Alivio de tensión
3. Soporte
4. Cable de alimentación

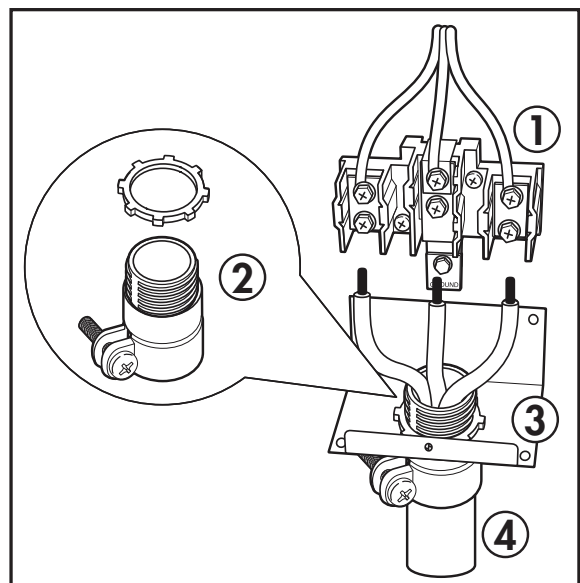


Para instalaciones de conductos

Compre un conector de compresión que coincida con el diámetro de su conducto y arme en el orificio del soporte. Inserte el conducto a través del conector de compresión y apriételo. Permita suficiente holgura para conectar fácilmente los cables al bloque de terminales.

No instale el conducto sin un conector de compresión. El conector de compresión debe instalarse antes de volver a instalar la cubierta de cableado del rango posterior.

1. Bloque de terminales
2. Conector de compresión
3. Soporte
4. Conducto



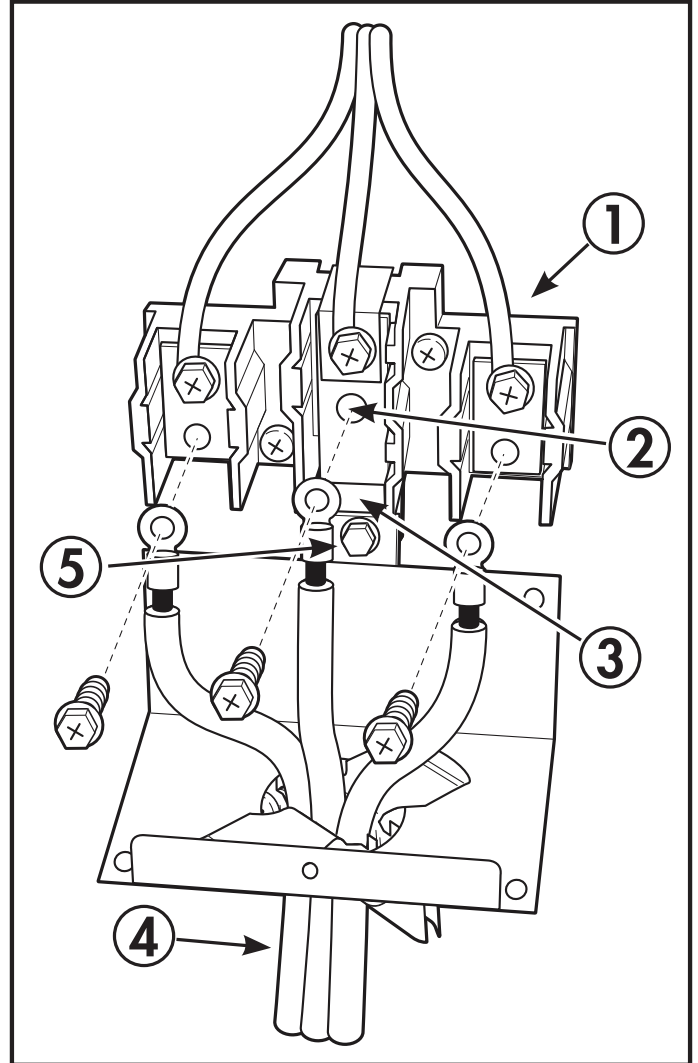
INSTRUCCIONES DE INSTALACIÓN

INSTALACIÓN DEL CABLE DE ALIMENTACIÓN DE 3 CABLES

El cable neutro o de tierra del cable de alimentación debe estar conectado al terminal neutral ubicado en el centro del bloque de terminales. Los cables de alimentación deben estar conectados a los terminales inferior izquierdo e inferior derecho del bloque de terminales.

1. Retire los tres tornillos terminales inferiores del bloque de terminales.
2. Inserte los tres tornillos del terminal a través de cada anillo de terminal del cable de alimentación y en los terminales inferiores del bloque de terminales.
3. Asegúrese de que el cable central esté conectado a la posición inferior central del bloque de terminales.
4. Apriete los tornillos de forma segura en el bloque de terminales.
5. No quite la conexión de la correa de tierra.

1. Bloque de terminales
2. Terminal neutro
3. Cinta de tierra
4. Cable de alimentación
5. Placa de tierra



INSTRUCCIONES DE INSTALACIÓN

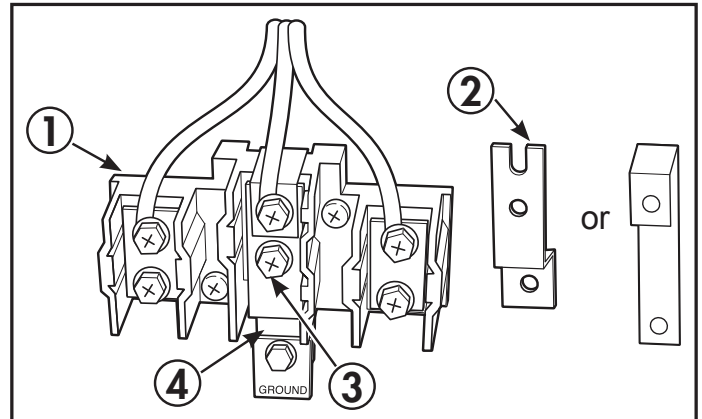
INSTALACIÓN DEL CABLE DE ALIMENTACIÓN DE 4 CABLES

El cable neutro del circuito de alimentación debe conectarse al terminal neutral ubicado en el centro inferior del bloque de terminales. Los cables de alimentación deben estar conectados a los terminales inferior izquierdo e inferior derecho del bloque de terminales. El cuarto cable de tierra debe estar conectado al marco del rango con la placa de tierra y el tornillo de tierra.

1. Retire los tres tornillos terminales inferiores del bloque de terminales.
2. Retire el tornillo de tierra y la placa de tierra y consérvelos.
3. Corta y descarta la correa de tierra. No descartar ningún tornillo.
4. Inserte el tornillo de conexión a tierra en el anillo terminal del cable de alimentación, a través de la placa de conexión a tierra y en el marco del rango.
5. Inserte los tres tornillos del terminal que se quitaron anteriormente a través de cada terminal del cable de alimentación a la derecha y en los terminales inferiores del bloque de terminales.
6. Asegúrese de que el cable central esté conectado a la posición inferior central del bloque de terminales.
7. Apriete los tornillos de forma segura en el bloque de terminales.

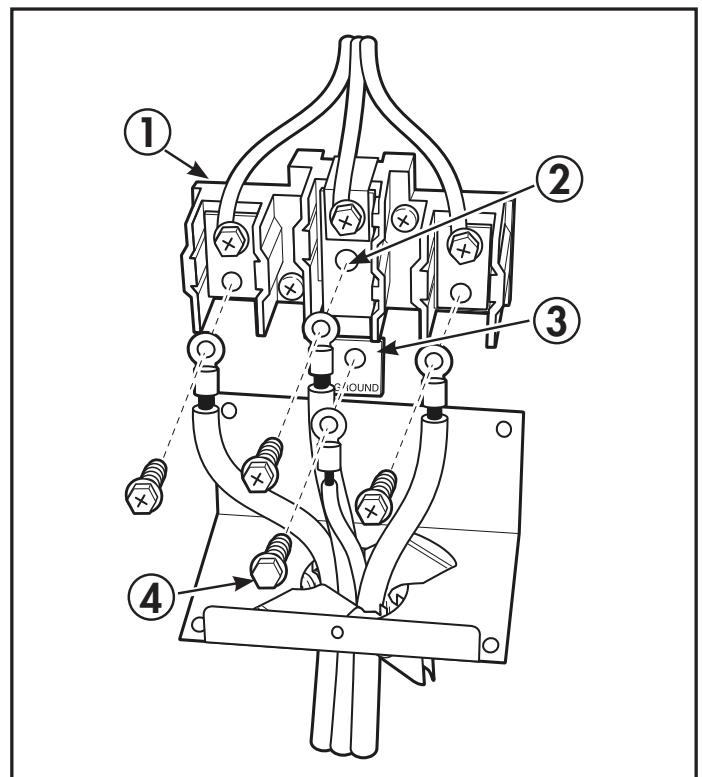
Antes

1. Bloque de terminales
2. Cinta de tierra
3. Terminal neutro
4. Corta y descarta la correa de tierra



Después

1. Bloque de terminales
2. Terminal neutro
3. Placa de tierra (conexión a tierra al rango)
4. Tornillo de tierra



INSTRUCCIONES DE OPERACIÓN

CONTROLES DE COCINA DE SUPERFICIE

Los elementos de calefacción de la superficie del aparato están diseñados para una variedad de configuraciones de calor.

En las posiciones HI y LO, hay pequeñas indentaciones y la perilla hará clic en su lugar en estas posiciones. HI indica la configuración más alta. LO indica la configuración más baja.

Se escuchará un sonido de clic en el dispositivo durante el uso. Esto es normal e indica que se mantiene el ajuste de calor seleccionado.

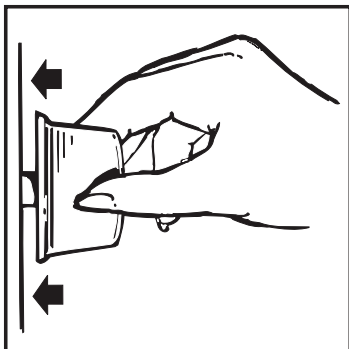
Cambiar a un ajuste de calor más alto ocurrirá más rápido que cambiar a un ajuste de calor más bajo, ya que tomará tiempo para que el calor se disipe.

AJUSTE DE LOS CONTROLES

1. Presione la perilla de control hacia adentro
2. Gire a la configuración de calor deseada.

La perilla solo necesita ser presionada cuando se mueve fuera de la posición "OFF". Cuando la perilla está en cualquier posición que no sea "OFF", se puede girar sin presionar.

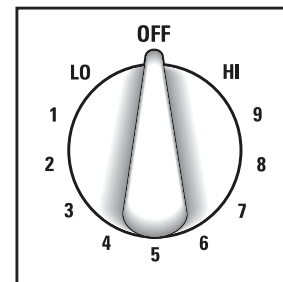
Asegúrese de que el elemento esté apagado cuando termine de cocinar. Una luz indicadora se encenderá cuando se encienda cualquier elemento calefactor.



GUÍA DE CONFIGURACIÓN DE CALOR

- HI - inicio rápido para cocinar; llevando agua a ebullición
- MEDIUM HIGH - Freír rápido; pan de asar; mantener un hervor rápido en una gran cantidad de comida
- MED - Saltee y marrón; mantener un hervor lento en una gran cantidad de comida
- MEDIUM LOW - Cereal; mantener la temperatura de servicio de la mayoría de los alimentos
- LO - Cocine después de comenzar en HI; cocine con poca agua en una sartén tapada; usar para cocer arroz al vapor; Derretir chocolate o mantequilla

Nunca deje los alimentos desatendidos mientras cocina. Hervir causa fumar. Derrames grasientos pueden incendiarse.



CONSEJOS PARA COCINAR EN LA SUPERFICIE

Use utensilios de cocina de peso medio o pesado. Los utensilios de cocina de aluminio conducen el calor más rápido que otros metales. Los utensilios de cocina de hierro fundido y hierro fundido recubierto absorben lentamente el calor, pero generalmente se cocinan uniformemente a temperatura baja o media. Las ollas de acero pueden cocinarse de manera desigual si no se combinan con otros metales.

No llene demasiado los utensilios de cocina con grasa que pueda derramarse al agregar alimentos. Los alimentos helados burbujan vigorosamente. Mire los alimentos freír a altas temperaturas. Mantenga el rango y la campana limpios de la grasa acumulada.

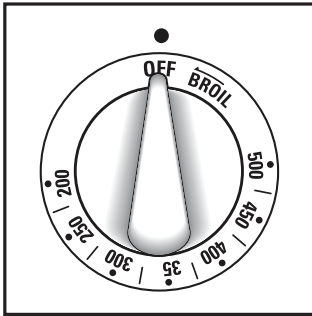
Para conservar la mayor energía de cocción, las bandejas deben ser planas en la parte inferior, tener lados rectos y tapas ajustadas. Haga coincidir el tamaño de la olla con el tamaño del elemento de superficie. Una bandeja que se extiende más de una pulgada más allá del borde de la bandeja de goteo atrapa el calor, lo que causa "grietas" en la porcelana y una decoloración que va del azul al gris oscuro en las bandejas de goteo cromadas.

INSTRUCCIONES DE OPERACIÓN

CONTROLES DE COCCIÓN DEL HORNO

Para usar el horno, gire la perilla de temperatura del horno a la temperatura de cocción deseada. La perilla del horno está marcada en incrementos de 25 grados, desde 200°F hasta BROIL.

La luz del horno se ilumina hasta que el horno alcanza la temperatura seleccionada y luego se apaga. Durante la cocción, la luz se encenderá cada vez que el horno necesite agregar más calor para mantener la temperatura seleccionada.



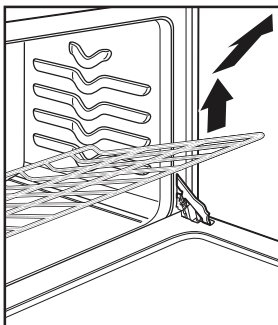
ESTANTES DEL HORNO

Las repisas del horno están diseñadas con cierres de parada para que cuando se coloquen correctamente en los soportes de la repisa, se detengan antes de salir por completo del horno y no se inclinen cuando se quitan o agregan alimentos.

Para quitar los estantes del horno, tire del estante hacia afuera, incline el extremo frontal hacia arriba y sáquelo.

Para reemplazar los estantes, coloque el estante en el soporte con los seguros de parada hacia arriba y hacia la parte posterior del horno. Incline la parte delantera hacia adelante y empuje la repisa hacia la parte posterior del horno hasta que pase el tope en el soporte del estante, luego baje la parte frontal del estante y empujelo hasta el fondo del horno.

El horno tiene cuatro diferentes posiciones de soporte de estante para adaptarse a los diferentes requisitos de cocción.



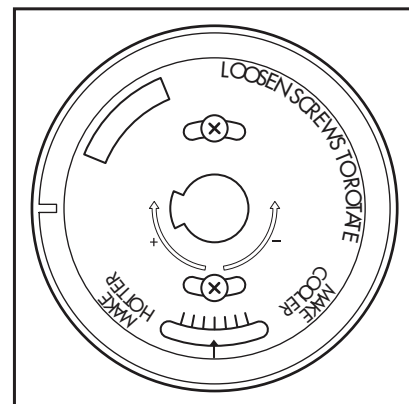
AJUSTE EL TERMOSTATO DEL HORNO

Es posible que el nuevo horno se cocine de forma diferente a la que reemplazó. Use el horno nuevo por unas semanas para familiarizarse con él. Si aún encuentra que el horno está demasiado caliente o demasiado frío, puede ajustar el termostato.

No use termómetros, como los que se encuentran en las tiendas de comestibles para verificar la temperatura del horno. No están calibrados para altas temperaturas y pueden variar de 20 a 40 grados.

Este ajuste no afectará las temperaturas de asado. El ajuste se mantendrá después de un corte de energía.

1. Saque la perilla de temperatura del horno fuera del alcance y mire la parte trasera. Para hacer un ajuste, afloje en una vuelta los dos tornillos en la parte posterior de la perilla. No quite completamente los tornillos.
2. Con la parte posterior de la perilla hacia usted, sostenga el borde exterior de la perilla con una mano y gire la parte delantera de la perilla con la otra mano.
3. Para aumentar la temperatura del horno, mueva el tornillo superior hacia la derecha.
4. Para disminuir la temperatura del horno, mueva el tornillo superior hacia la izquierda.
5. Escuchará un clic por cada muesca que mueva la perilla. Cada clic cambiará la temperatura del horno aproximadamente 10 ° F. El rango es más o menos 60 ° F desde la flecha. Sugerimos que ajuste la temperatura con un clic y luego pruebe el rendimiento del horno antes de ajustarlo más.
6. Después de realizar el ajuste, vuelva a apretar los tornillos para que queden ajustados. Tenga cuidado de no apretar demasiado.
7. Reemplace la perilla, haciendo coincidir el área plana de la perilla con el eje.



INSTRUCCIONES DE OPERACIÓN

HORNEADO Y ASADO

1. Coloque los estantes en el horno. Si cocina en dos estantes al mismo tiempo, escale las bandejas para obtener la mejor circulación de calor.
2. Cierre la puerta del horno. Gire la perilla de temperatura del horno a la temperatura deseada.
3. Coloque la comida en el centro del estante del horno. Deje al menos 2 pulgadas entre el extremo de la bandeja y la pared del horno o cualquier bandeja adyacente.
4. Revise la comida regularmente. Retire una vez hecho y asegúrese de que el horno esté apagado.

POSICIONES DE ESTANTE

- La mayoría de la cocción se realiza en la segunda o tercera posición desde el fondo del horno.
- Cuando hornee múltiples artículos, use dos estantes colocados en el segundo y cuarto soportes de estantes desde la parte inferior del horno.
- Hornea pasteles de ángel en la primera posición de la repisa desde el fondo del horno.
- El tostado generalmente se realiza en la posición inferior de la plataforma.
- Si es necesario precalentar, observe la luz del horno y coloque los alimentos en el horno una vez que se apague la luz. La luz del horno se encenderá y apagará con el termostato del horno mientras hace ciclos para mantener una temperatura pareja.

CONSEJOS PARA HORNEAR Y TOSTAR

- Siga una receta probada y mida los ingredientes cuidadosamente. Si está utilizando una mezcla de paquete, siga las instrucciones de la etiqueta.
- No abra la puerta del horno mientras hornea o asa. Se perderá calor y es posible que se deba extender el tiempo de cocción. Si debe abrir la puerta, ábrala parcialmente y ciérrala lo más rápido posible.
- El asado se cocina con calor seco. La carne tierna o las aves de corral se pueden tostar sin cubrir. Las temperaturas de tostado, que deben ser bajas y constantes, mantienen las salpicaduras al mínimo. Cuando se tuesta, no es necesario quemar, rociar, cubrir o agregar agua a la carne.
- Los asados congelados de carne se pueden cocinar sin descongelar, pero permiten de 10 a 25 minutos de tiempo adicional por libra de carne (10 minutos por libra para asados de menos de 5 libras, más tiempo para asados más grandes).
- Descongele las aves de corral congeladas antes de asarlas para asegurar una cocción pareja. Algunas aves de corral congeladas comerciales se pueden cocinar con éxito sin descongelarlas. Siga las instrucciones dadas en la etiqueta del paquete.

HERVIDOR DE HORNO

Asar a la parrilla implica cocinar los alimentos por el intenso calor radiante del elemento superior en el horno. La mayoría de los pescados y cortes tiernos de carne se pueden hervir. Siga estos pasos para minimizar las salpicaduras y el fumar.

1. Si la carne tiene grasa o cartílago alrededor del borde, corte las barras verticales a una distancia de aproximadamente 2 pulgadas. Si lo desea, puede recortar la grasa, dejando una capa de aproximadamente 1/8 de pulgada de espesor.
2. Coloque la carne en una rejilla para asar en una asadera diseñada para asar. Siempre use la rejilla para que la grasa gotee en la asadera; de lo contrario, los jugos pueden calentarse lo suficiente como para prenderse fuego.
3. Coloque el estante en una de las dos posiciones superiores para asar más.
4. Coloque la comida en el horno y cierre la puerta. Siempre ase con la puerta cerrada.
5. Gire la perilla de temperatura del horno a BROIL.
6. La comida se puede cambiar durante la cocción si es necesario. Tenga cuidado con el aire caliente o el vapor al abrir la puerta del horno.
7. Asegúrese de poner la perilla de temperatura del horno en OFF una vez que haya terminado de asar.

CONSEJOS DE ASADO

- Si lo desea, marinar las carnes o el pollo antes de asar o cepillar con salsa de barbacoa en los últimos 5 a 10 minutos de cocción.
- Cuando coloque los alimentos en una bandeja, no permita que los bordes grasos cuelguen por los lados ya que la grasa que gotea ensuciará el horno mientras se cocina.

CUIDADO Y MANTENIMIENTO

ELEMENTOS DE SUPERFICIE

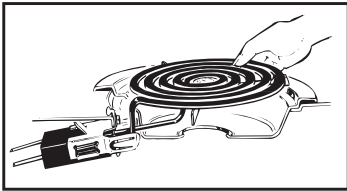
Para limpiar los elementos de calentamiento de la superficie, gire la perilla de control de temperatura a la configuración más alta durante un minuto; esto quemará cualquier residuo de comida. Tenga en cuenta que esto podría causar humo, es aconsejable abrir una ventana o encender un ventilador para evitar la formación de humo.

No sumerja los elementos calefactores en líquidos de ningún tipo. No coloque elementos calefactores en el lavavajillas.

Para quitar las bandejas de goteo para la limpieza, primero quite los elementos de calentamiento. Asegúrese de que los elementos estén fríos antes de tocarlos.

Levante el elemento aproximadamente 1 "por encima de la bandeja de goteo y tire para extraerlo. No levante el elemento más de 1 "ya que esto puede doblar los componentes internos y el elemento puede no quedar plano cuando se lo reemplaza.

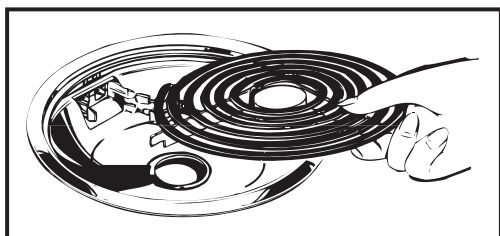
Retire la bandeja de goteo y limpie según sea necesario. Las bandejas de goteo se pueden limpiar en el lavavajillas o a mano.



Una vez que se haya completado la limpieza, vuelva a colocar la bandeja de goteo en el hueco de la parte superior de la cocina. Asegúrese de que la abertura en la bandeja se alinee con el receptáculo.

Inserte los terminales en el elemento de calentamiento a través de la abertura en la bandeja de goteo y en el receptáculo. Guíe el elemento en su lugar suavemente para que descansa uniformemente.

No intente limpiar, ajustar o reparar los receptáculos de ninguna manera.



LIMPIEZA

Tapa de cocina de esmalte de porcelana

El acabado de esmalte de porcelana en la parte superior de la cocina es resistente, pero se puede dañar si se utiliza incorrectamente. No se debe permitir que ningún alimento ácido como jugos de fruta, tomate o vinagre permanezca en el acabado por un período de tiempo prolongado.

Levante la tapa del cocinero

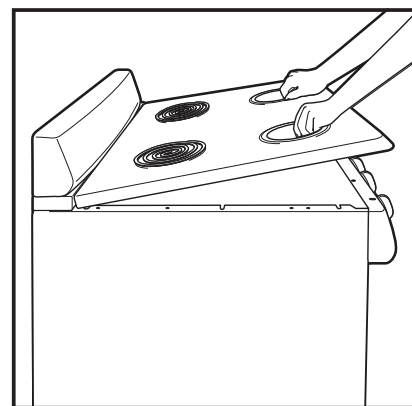
La parte superior de la cocina se puede levantar para que el área debajo se pueda limpiar. Los derrames que sobrepasen el flujo de las bandejas de goteo, especialmente la grasa, deben limpiarse para evitar la acumulación y posible tabaquismo o ignición.

Asegúrese de que los elementos de calentamiento estén apagados y frescos antes de levantar la superficie de cocción.

Retire los elementos de calentamiento y las bandejas de goteo.

Levante la parte superior de la cocina y ábrala con la varilla interna para facilitar la limpieza. Esta área se puede limpiar con agua caliente jabonosa y un paño limpio.

Una vez completado, vuelva a colocar la varilla de soporte interna en su posición inicial y baje la tapa de cocción hasta que encaje en su posición. Tenga cuidado de no pellizcarse los dedos. Reemplace las bandejas de goteo y los elementos de calentamiento.



CUIDADO Y MANTENIMIENTO

Interior del horno de porcelana

Con el cuidado adecuado, el interior de esmalte de porcelana conservará su acabado por muchos años.

Se puede usar jabón y agua para limpiar el interior. Las salpicaduras o derrames intensos pueden requerir limpieza con un limpiador abrasivo suave.

No permita que los derrames con alto contenido de ácido, como leche, tomates, jugos de frutas o relleno de pastel, permanezcan en la superficie. Pueden causar manchas opacas incluso después de la limpieza.

El amoníaco doméstico puede facilitar la limpieza. Coloque 1/2 taza de amoníaco en un recipiente de vidrio poco profundo y déjelo en un horno frío durante la noche. Los humos de amoníaco ayudarán a aflojar la grasa y los alimentos quemados.

Precauciones sobre el uso de limpiadores de horno rociadores

No rocíe el limpiador del horno sobre los controles eléctricos y los interruptores ya que podría provocar un cortocircuito y provocar chispas o incendios.

No rocíe el limpiador del horno directamente sobre los elementos calefactores del horno.

No permita que una película del limpiador del horno permanezca en el sensor de temperatura, ya que podría causar que el horno se caliente de manera incorrecta. El sensor está ubicado en la parte superior del horno. Limpie cuidadosamente la bombilla después de cada limpieza del horno, teniendo cuidado de no mover el sensor, ya que un cambio en su posición podría afectar la forma en que hornea el horno.

No rocíe el limpiador del horno en la parte exterior de la puerta del horno, las manijas o cualquier superficie exterior del horno, el gabinete o las superficies pintadas. El limpiador puede dañar estas superficies.

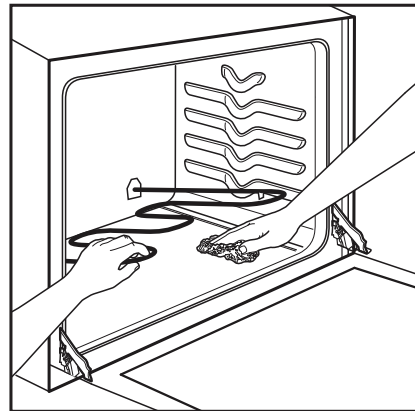
Estantes del horno

Limpie los estantes con un limpiador abrasivo o lana de acero. Después de la limpieza, enjuague los estantes con agua limpia y seque con un paño limpio.

Elementos de calentamiento del horno

No limpie el elemento de horneado o el elemento de asar. Cualquier residuo de comida se quemará cuando los elementos se calienten.

El elemento de horneado se puede levantar suavemente para limpiar el piso del horno. Asegúrese de que el elemento esté frío antes de limpiarlo.



Perillas de control

Las perillas de control se pueden quitar para facilitar la limpieza. Asegúrese de que las perillas estén en la posición "OFF" (apagado) y luego retírelas de los tallos para limpiarlas.

Las perillas se pueden limpiar en el lavavajillas o a mano. Asegúrese de que el interior de las perillas esté seco antes de volver a colocarlo en el aparato.

Superficies pintadas

Las superficies pintadas incluyen los lados, el panel de control, la puerta y la placa de apoyo. Límpielos con agua y jabón o con una solución de vinagre y agua.

No use limpiadores comerciales para hornos, polvos limpiadores, lana de acero o abrasivos fuertes sobre cualquier superficie pintada.

CUIDADO Y MANTENIMIENTO

PUERTA DE HORNO EXTRAÍBLE

La puerta del horno es extraíble pero es pesada. Se recomienda que al menos dos personas trabajen juntas para eliminarlo.

Para quitar la puerta:

1. Abra la puerta a la posición completamente abierta.
2. Tire de los bloqueos de la bisagra hacia arriba sobre los ganchos de la bisagra en ambos lados.
3. Sujete firmemente la puerta por ambos lados, levántela levemente y tire de ella hacia afuera y lejos del horno.

Para reemplazar la puerta:

1. Sujete firmemente ambos lados de la puerta en la parte superior.
2. Inserte y coloque los brazos de la bisagra superior e inferior en las ranuras del horno.
3. Empuje los cierres de la bisagra hacia abajo desde los ganchos de la bisagra.
4. Cierre la puerta del horno y asegúrese de que esté funcionando correctamente. Si parece desigual o no se cierra completamente, quítelo de nuevo y repita los pasos para reemplazarlo.

Nota: No intente cerrar la puerta hasta que esté instalada correctamente. Las bisagras podrían dañarse.

Ventana de la puerta de vidrio

Para limpiar el exterior de la ventana de la puerta de vidrio, use un limpiador de vidrio. Enjuague y pule con un paño seco.

Evite rayar o golpear la ventana de vidrio. Hacerlo puede hacer que el vidrio se rompa.

REEMPLAZO DE LA LUZ DEL HORNO

Importante: Antes de reemplazar la bombilla del horno, asegúrese de que la electricidad esté desconectada del artefacto. De lo contrario, puede provocar una descarga eléctrica o quemaduras.

Asegúrese de dejar que la cubierta de la luz y la bombilla se enfríen por completo antes de volver a colocarla.

Quitar la puerta del horno puede facilitar este proceso.

Para quitar la cubierta de luz:

1. Gire la lente hacia la izquierda aproximadamente 1/4 de vuelta para quitarla. No quite ningún tornillo para quitar la cubierta de la luz.
2. No toque la bombilla con un paño mojado. Reemplace la bombilla con una bombilla de luz de 40 vatios.

Para reemplazar la cubierta de luz:

1. Alinee las pestañas de la lente con las pestañas en la carcasa de la luz y gírelas en el sentido de las agujas del reloj aproximadamente 1/4 de vuelta para instalarlas.

SOLUCIÓN DE PROBLEMAS

Danby cuidado del consumidor: 1-800-263-2629

Horas de operación:

Lunes a Jueves 8:30 am - 6:00 pm Hora estándar del este

Viernes 8:30 am - 4:00 pm Hora estándar del este

La información de este manual está sujeta a cambios sin previo aviso.

PROBLEMA	CAUSA POSIBLE
Ninguna energía	<ul style="list-style-type: none">• Se puede fundir un fusible o se disparó el disyuntor• El enchufe no está completamente insertado en el tomacorriente de la pared
Los elementos de la superficie no funcionan correctamente	<ul style="list-style-type: none">• Los elementos no están instalados correctamente• Los controles no están configurados correctamente• Las bandejas de goteo no están fijadas de forma segura en la parte superior de la cocina
La comida no se asa bien	<ul style="list-style-type: none">• La temperatura del horno no está ajustada correctamente• La posición del estante es demasiado baja• Los utensilios de cocina no son adecuados para asar• Se está utilizando papel de aluminio y está bloqueando el flujo de aire
La comida no se hornea o asa adecuadamente	<ul style="list-style-type: none">• La temperatura del horno no está ajustada correctamente• La posición del estante es incorrecta• El horno no fue precalentado• Los utensilios de cocina no son adecuados para hornear o asar
La luz del horno no funciona	<ul style="list-style-type: none">• La bombilla está suelta• El interruptor de luz no funciona correctamente

GARANTÍA LIMITADA "A DOMICILIO"

Este producto de calidad está garantizado contra defectos de fabricación, incluyendo partes y mano de obra, siempre y cuando la unidad se utilice bajo las condiciones normales de funcionamiento para las que fue diseñado. Esta garantía está solamente disponible para la persona que haya comprado originalmente esta unidad directamente de Danby Products Limited (Canada) o Danby Products Inc. (U.S.A.) (en adelante "Danby") o uno de sus distribuidores autorizados, y no es transferible.

CONDICIONES DE LA GARANTÍA

Las piezas plásticas, se autorizan por treinta (30) días solamente a partir de la fecha de la compra, sin las extensiones proporcionadas.

Primeros 12 meses Durante los primeros **doce (12) meses**, cualquier parte en buen estado de este producto que resulte defectuosa, incluyendo cualquier sistema sellado, será reparado o reemplazado, a opción del fabricante, sin cargo para el comprador ORIGINAL.

Para obtener servicio Comuníquese con el distribuidor donde haya comprado la unidad, o llame al Taller de Servicio Autorizado más cercano, donde debe ser reparada por un técnico calificado. Si esta unidad es reparada en otro lugar que no sea un Taller de Servicio Autorizado, o si la unidad se utiliza para aplicaciones comerciales, Danby no se hará responsable de ninguna forma y la garantía será anulada.

Límites del servicio técnico a domicilio Danby se reserva el derecho de limitar la cobertura de "Servicio en Domicilio" sujeto a la proximidad de un **Taller de Servicio Autorizado**. Para todo artefacto que requiera servicio fuera del área limitada de "Servicio en Domicilio", el cliente será responsable por transportar dicho artefacto hasta el Taller de Servicio Autorizado más cercano. Si el electrodoméstico está instalado en un lugar que se encuentra a **100 kilómetros (62 millas)** o más del centro de servicios más cercano, se debe llevar la unidad al Centro de servicios Danby autorizado más cercano, ya que dicho servicio sólo puede realizarlo un técnico calificado y certificado por Danby para prestar servicios de garantía.

Los cargos por transporte desde y hacia el lugar en que se efectúe el servicio técnico no están cubiertos por esta garantía y son de responsabilidad del comprador.

Nada dentro de esta garantía implica que Danby será responsable por cualquier daño que hayan sufrido los alimentos u otros contenidos de este aparato, ya sea debido a un defecto del aparato, o su uso, adecuado o inadecuado.

EXCLUSIONES

Salvo lo aquí indicado por Danby, no existen otras garantías, condiciones o representaciones, explícitas o implícitas, concretas o intencionales por parte de Danby o sus distribuidores autorizados y todas las demás garantías, condiciones o representaciones, incluyendo cualquier garantía, condiciones o representaciones bajo cualquier Acta de Venta de Productos o legislación o estatuto similar, quedan de esta forma expresamente excluidas. **Salvo lo aquí indicado, Danby no serán responsables por ningún daño a personas o bienes, incluyendo la propia unidad, sin importar su causa, o de ningún daño indirecto causado por el desperfecto de la unidad, y al comprar esta unidad, el comprador acepta por la presente, indemnizar y proteger a Danby contra cualquier reclamo por daños a personas o bienes causados por la unidad.**

CONDICIONES GENERALES

No se considerará ninguna de estas garantías o seguros cuando el daño o la necesidad de reparación sea el producto de los siguientes casos:

- 1) Falla del suministro eléctrico.
- 2) Daños en tránsito o durante el transporte de la unidad.
- 3) Alimentación incorrecta, como bajo voltaje, instalación eléctrica defectuosa o fusibles inadecuados.
- 4) Accidente, modificación, abuso o uso incorrecto del artefacto, tal como insuficiente ventilación del ambiente o condiciones de operación anormales (temperatura ambiente extremadamente alta o baja).
- 5) Utilización comercial o industrial (v.g., si el electrodoméstico no está instalado en una vivienda particular).
- 6) Incendio, daños por agua, robo, guerra, disturbios, hostilidades, actos de fuerza mayor como huracanes, inundaciones, etc.
- 7) Pedidos de servicio debido a desinformación del usuario.
- 8) Instalación inadecuada (v.g., instalación empotrada de un electrodoméstico diseñado como unidad independiente o uso de un electrodoméstico al aire libre que no esté aprobado para dicho fin, incluyendo pero no limitado a: garajes, patios, porches o en cualquier lugar que no esté bien aislado o controlado por el clima).

Se requerirá una prueba de la fecha de compra para reclamaciones de garantía; Retener las facturas de venta. En el caso de que se requiera servicio de garantía, presente el comprobante de compra a nuestro depósito de servicio autorizado.

Servicio de Garantía
Servicio en Domicilio

Danby Products Limited
PO Box 1778, Guelph, Ontario, Canada N1H 6Z9
Telephone: (519) 837-0920 FAX: (519) 837-0449

1-800-263-2629
04/17

Danby Products Inc.
PO Box 669, Findlay, Ohio, U.S.A. 45840
Telephone: (419) 425-8627 FAX: (419) 425-8629



MODEL • MODELO

DER202W
DER202B
DER202BSS