

# **Danby**<sup>®</sup> *Designer*

**COMPACT ELECTRIC RANGE  
ESTUFAS ELECTRICAS COMPACTAS**

**OWNER'S USE AND CARE GUIDE  
GUÍA DE UTILIZACIÓN Y CUIDADO PARA EL PROPIETARIO**

**MODEL • MODELO  
DER201BSS  
DER241BSS**

# Danby® *Designer*

TO OBTAIN WARRANTY SERVICE YOU MUST PROVIDE A VALID PROOF OF PURCHASE. PLEASE STAPLE YOUR RECEIPT TO THIS PAGE FOR FUTURE REFERENCE.

---

PARA OBTENER SERVICIO DE GARANTÍA, DEBE PROVEER UN RECIBO ORIGINAL. POR FAVOR ENGRAPE SU RECIBO A ÉSTA PÁGINA EN CASO QUE NECESITE HACER UN RECLAMO.



## CAUTION:

Read and follow all safety rules and operating instructions before first use of this product.



## PRECAUCIÓN:

Lea y observe todas las reglas de seguridad y las instrucciones de operación antes de usar este producto por la primera vez.

## CONTENTS / ÍNDICE

---

### COMPACT ELECTRIC RANGE

Owner's Use and Care Guide .....1-25

- Welcome
- Important Safety Information
- Operation Instructions
- Care and Maintenance
- Installation Instructions
- Troubleshooting
- Warranty

### ESTUFAS ELECTRICAS COMPACTAS

Guía de utilización y cuidado para el propietario..26-52

- Bienvenido
- Instrucciones de seguridad importantes
- Operación
- Cuidado y mantenimiento
- Instrucciones de instalación
- Diagnósticos de problemas
- Garantía

# Thank you for choosing Danby

We know you're excited. We are too! However, the more familiar you are with your new appliance, the better experience you will have. We therefore strongly suggest that you **read this Owner's Manual before plugging in your new appliance**. It contains important operational information that will help you make full use of the technical features available in your Danby appliance. The manual also contains information designed to enhance operating reliability and safety, as well as tips to maintaining your new appliance so that it brings you happiness for years to come.

Please visit [www.danby.com](http://www.danby.com) to access self-service tools, FAQs and more. Should you need additional assistance, please call 1-800-26-DANBY (1-800-263-2629).

**Note: You will need the below information to obtain service under warranty.  
To receive service, you must provide the original receipt.**

**Model Number:** \_\_\_\_\_  
**Serial Number:** \_\_\_\_\_  
**Date of Purchase:** \_\_\_\_\_

## NEED HELP?

Before you call for service, here are a few things you can do to help us serve you better:

**Read this Owner's Manual:**

It contains instructions to help you use and maintain your appliance properly.

**If you received a damaged appliance:**

Immediately contact the retailer (or builder) that sold you the appliance.

**Save time and money:**

Check the Troubleshooting section at the end of the guide before calling. This section helps you solve common problems that may occur.

If you do need service, you can relax, knowing help is only a phone call away.



1-800-26-**Danby**  
(1-800-263-2629)



# IMPORTANT SAFETY INFORMATION

## READ ALL INSTRUCTIONS BEFORE USING

### ANTI-TIP DEVICE



### WARNING

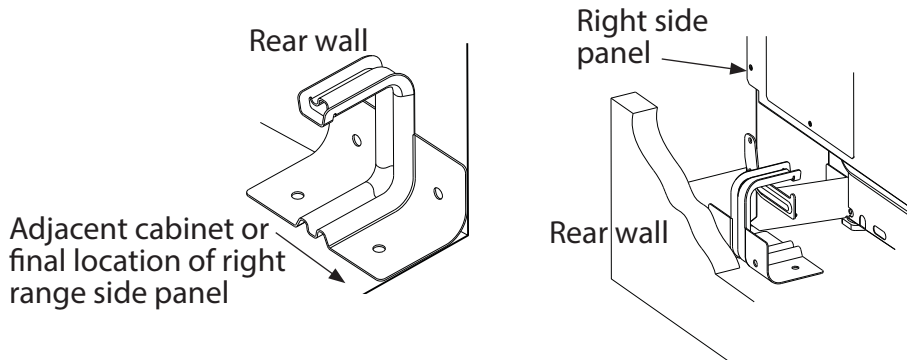
#### Tip-Over Hazard

A child or adult can tip the range and be killed. Verify the anti-tip bracket has been properly installed and engaged to the floor or wall. Ensure the anti-tip bracket is re-engaged when the range is moved by sliding the anti-tip arm just under the bracket. Do not operate the range without the anti-tip bracket in place and engaged. Failure to follow these instructions can result in death or serious burns to children or adults.

To reduce the risk of tipping the range, the range must be secured by a properly installed anti-tip bracket. See installation instructions shipped with the bracket for complete details before attempting to install.

#### For Freestanding Ranges:

To check if the bracket is installed and engaged properly, look underneath the range to see that the anti-tip arm attached to the side panel is engaged in the bracket. On some models, the storage drawer or kick panel can be removed for easier inspection. If visual inspection is not possible, slide the range forward, confirm the anti-tip bracket is securely attached to the floor or wall, and slide the range back so the anti-tip arm slides just under the anti-tip bracket. If the range is pulled from the wall for any reason, always repeat this procedure to verify the range is properly secured by the anti-tip bracket.



### IMPORTANT SAFETY NOTICE



### WARNING

The California Safe Drinking Water and Toxic Enforcement Act requires the Governor of California to publish a list of substances known to the state to cause cancer, birth defects or other reproductive harm, and requires businesses to warn customers of potential exposure to such substances.

The fiberglass insulation in self-clean ovens gives off a very small amount of carbon monoxide during the cleaning cycle. Exposure can be minimized by venting with an open window or using a ventilation fan or hood.

**READ AND FOLLOW THIS SAFETY INFORMATION CAREFULLY  
SAVE THESE INSTRUCTIONS**



# IMPORTANT SAFETY INFORMATION

## READ ALL INSTRUCTIONS BEFORE USING

### WARNING

#### GENERAL SAFETY INSTRUCTIONS

- Use this appliance for its intended purpose as described in this Owner's Manual.
- Be sure your appliance is properly installed and grounded by a qualified installer in accordance with the provided installation instructions.
- Do not attempt to repair or replace any part of your range unless it is specifically recommended in this manual. All other servicing should be referred to a qualified technician.
- Before performing any service, unplug the range or disconnect the power supply at the household distribution panel by removing the fuse or switching off the circuit breaker.
- Do not leave children alone - children should not be left alone or unattended in an area where an appliance is in use. They should never be allowed to climb, sit or stand on any part of the appliance.
- **CAUTION:** Do not store items of interest to children above a range or on the backguard of a range - children climbing on the range to reach items could be seriously injured.
- Use only dry potholders - moist or damp pot holders on hot surfaces may result in burns from steam. Do not let the potholders touch hot heating areas. Do not use a towel or other bulky cloth in place of pot holders.
- Never use your appliance for warming or heating the room.
- Do not touch surface elements, areas near the elements or interior surfaces of the oven. These surfaces may be hot enough to burn even though they are dark in color. During and after use, do not touch, or let clothing or other flammable materials contact the surface elements, areas nearby the surface units or any interior area of the oven; allow sufficient time for cooling first. Other surfaces of the appliance may become hot enough to cause burns. Potentially hot surfaces include the cooktop, areas facing the cooktop, oven vent opening, surfaces near the opening and crevices around the oven door.
- Do not heat unopened food containers. Pressure could build up and the container could burst, causing an injury.
- Do not use aluminum foil to line drip pans or anywhere in the oven, except as described in this manual. Foil can trap heat or melt, resulting in damage to the product and a shock or fire hazard.
- Avoid scratching or impacting glass doors, cook tops or control panels. Doing so may lead to glass breakage. Do not cook on a product with broken glass. Shock, fire or cuts may occur.
- Cook meat and poultry thoroughly - meat to at least an internal temperature of 160°F and poultry to at least an internal temperature of 180°F. Cooking to these temperatures usually protects against foodborne illness.

### WARNING

#### KEEP FLAMMABLE MATERIALS AWAY FROM THE RANGE

- Do not store or use flammable materials in an oven or near the cooktop, including paper, plastic, pot holders, linens, wall coverings, curtains, drapes and gasoline or other flammable vapors and liquids.
- Never wear loose-fitting or hanging garments while using the appliance. These garments may ignite if they contact hot surfaces causing severe burns.
- Do not let cooking grease or other flammable materials accumulate in or near the range. Grease in the oven or on the cooktop may ignite.
- Clean ventilating hoods frequently. Grease should not be allowed to accumulate on the hood or filter.

**READ AND FOLLOW THIS SAFETY INFORMATION CAREFULLY  
SAVE THESE INSTRUCTIONS**



# IMPORTANT SAFETY INFORMATION

## READ ALL INSTRUCTIONS BEFORE USING

### WARNING

#### IN THE EVENT OF A FIRE, TAKE THE FOLLOWING STEPS TO PREVENT THE FIRE FROM SPREADING

- Do not use water on grease fires. Never pick up a flaming pan. Turn the controls off. Smother a flaming pan on a surface element by covering the pan completely with a well-fitting lid, cookie sheet or flat tray. Use a multi-purpose dry chemical or foam-type fire extinguisher.
- If there is a fire in the oven during baking, smother the fire by closing the oven door and turning the oven off, or by using a multi-purpose dry chemical or foam-type fire extinguisher.
- If there is a fire in the oven during self-clean, turn the oven off and wait for the fire to go out. **Do not force the door open.** Introduction of fresh air at self-clean temperatures may lead to a burst of flame from the oven. Failure to follow this instruction may result in severe burns.

### WARNING

#### COOKTOP SAFETY INSTRUCTIONS

- Never leave the range unattended while a surface element is ON. Boilovers cause smoking and greasy spillovers that may catch on fire.
- Never leave oil unattended while frying. If allowed to heat beyond its smoking point, oil may ignite resulting in fire that may spread to surrounding cabinets. Use a deep fat thermometer whenever possible to monitor oil temperature.
- To avoid oil spillover and fire, use a minimum amount of oil when shallow pan-frying and avoid cooking frozen foods with excessive amounts of ice.
- Use proper pan size - select cookware having flat bottoms large enough to cover the surface heating element. The use of undersized cookware will expose a portion of the element to direct contact and may result in ignition of clothing. Proper relationship of cookware to surface heating element will also improve efficiency.
- Only certain types of glass, glass/ceramic, earthenware or other glazed containers are suitable for cooktop service; others may break because of the sudden change in temperature.
- To minimize the possibility of burns, ignition of flammable materials and spillage, the handle of a container should be turned toward the center of the range without extending over nearby heating elements.
- When preparing flaming foods under a hood, turn the fan on.
- If power is lost to an electric cooktop while a surface element is ON, the surface element will turn back on as soon as power is restored. In the event of power loss, failure to turn all surface element knobs to the OFF position may result in ignition of items on or near the cooktop, leading to serious injury or death.

**READ AND FOLLOW THIS SAFETY INFORMATION CAREFULLY  
SAVE THESE INSTRUCTIONS**



# IMPORTANT SAFETY INFORMATION

## READ ALL INSTRUCTIONS BEFORE USING

### **WARNING**

#### **RADIANT COOKTOP SAFETY INSTRUCTIONS (Some models)**

- Use care when touching the cooktop. The glass surface of the cooktop will retain heat after the controls have been turned off.
- Do not cook on a broken cooktop. If glass cooktop should break, cleaning solutions and spillovers may penetrate the broken cooktop and create a risk of electric shock. Contact a qualified technician immediately.
- Avoid scratching the glass cooktop. The cooktop can be scratched with items such as knives, sharp instruments, rings or other jewelry, and rivets on clothing.
- Do not place or store items that can melt or catch fire on the glass cooktop, even when it is not being used. If the cooktop is inadvertently turned on, they may ignite. Heat from the cooktop or oven vent after it has been turned off may also cause them to ignite.
- Use a ceramic cooktop cleaner and a ceramic cooktop cleaning pad to clean the cooktop. Wait until the cooktop cools and the indicator light goes out before cleaning. A wet sponge or cloth on a hot surface can cause steam burns. Some cleaners can produce noxious fumes if applied to a hot surface. Note: Sugar spills are an exception. They should be scraped off while still hot using an oven mitt and a scraper. See the Cleaning the glass cooktop section for detailed instructions.
- Read and follow all instructions and warnings on the cleaning cream label.

### **WARNING**

#### **COIL COOKTOP SAFETY INSTRUCTIONS (Some models)**

- Do not immerse or soak the removable surface cooking elements. Do not put them in a dishwasher. Do not self-clean the surface cooking elements in the oven. Doing so may cause them to fail, resulting in a burn hazard or fire hazard.
- To avoid the possibility of a burn or an electric shock, always be certain that the controls for all surface elements are at the OFF position, and that all coils are cool before attempting to lift or remove a coil cooking element.
- Be sure the drip pans are not covered and are in place. Their absence during cooking could damage range parts and wiring.
- Do not use aluminum foil to line drip pans. Foil can trap heat or melt, resulting in damage to the product and a shock or fire hazard.

**READ AND FOLLOW THIS SAFETY INFORMATION CAREFULLY  
SAVE THESE INSTRUCTIONS**



# IMPORTANT SAFETY INFORMATION

## READ ALL INSTRUCTIONS BEFORE USING

### **WARNING**

#### OVEN SAFETY INSTRUCTIONS

- Stand away from the range when opening the oven door. Hot air or steam which escapes can cause burns to hands, face and/or eyes.
- Keep the oven vent unobstructed.
- Keep the oven free from grease build-up. Grease in the oven may ignite.
- Place oven racks in desired location while oven is cool. If rack must be moved while oven is hot, do not let potholder contact the hot heating element in the oven.
- When using cooking or roasting bags in the oven, follow the manufacturer's directions.
- Pull the oven rack to the stop-lock position when loading and unloading food from the oven. This helps prevent burns from touching hot surfaces of the door and oven walls.
- Do not leave items such as paper, cooking utensils or food in the oven when not in use. Items stored in an oven can ignite.
- Do not use aluminum foil to line the oven bottom. Foil can trap heat or melt, resulting in damage to the product and a shock hazard or fire hazard.

### **WARNING**

#### WARMING DRAWER/ LOWER OVEN DRAWER SAFETY INSTRUCTIONS (Some Models)

- The purpose of the warming drawer is to hold hot cooked foods at serving temperature. Bacteria will grow in food while it is below 140 °F. Do not put cold food in warming drawer. Do not heat food for more than 2 hours. Failure to follow these instructions may result in foodborne illness.
- Do not leave paper products, plastics, canned food or combustible materials in the drawer. They may ignite.
- Do not touch the heating element or the interior surface of the drawer. These surfaces may be hot enough to cause burns.
- Use care when opening the drawer. Open the drawer a crack and let hot air or steam escape before removing or replacing food. Hot air or steam that escapes can cause burns to hands, face and/ or eyes.
- Do not use aluminum foil to line the lower drawer. The foil will trap heat below, and upset the performance of the oven. Foil can melt and permanently damage the drawer bottoms.

**READ AND FOLLOW THIS SAFETY INFORMATION CAREFULLY  
SAVE THESE INSTRUCTIONS**



# OPERATION INSTRUCTIONS

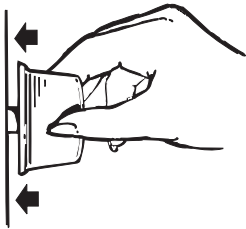
## USING THE SURFACE COOKING ELEMENTS

Throughout this manual, features and appearance may vary from your model.

### **SURFACE COOKING CONTROLS**

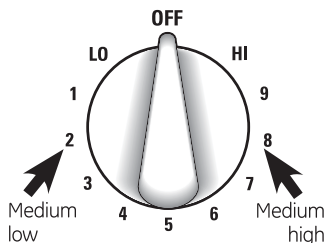
- Your surface elements and controls are designed to give you a variety of heat settings for surface element cooking.
- At both LO and HI positions, there is a slight niche, so the control clicks at those positions. Hi marks the highest setting; LO marks the lowest setting.
- In a quiet kitchen, you may hear slight clicking sounds during cooking, indicating heat settings selected are being maintained.
- Switching heats to higher settings always shows a quicker change in temperature than switching to lower settings.

### **HOW TO SET THE CONTROLS**



1. Push the control knob in.
2. Turn either clockwise or counterclockwise to the desired heat setting.
  - The control must be pushed in to set only from the OFF position.
  - When the control is in any position other than OFF, you can turn it without pushing in.
  - Be sure you turn the control to OFF when you finish cooking. An indicator light will glow when ANY surface element is on.

### **HEAT SETTING GUIDE**



- HI - Quick start for cooking; bring water to a boil.
- MEDIUM HIGH - Fast fry, pan broil; maintain a fast boil on a large amount of food.
- MED - Saute and brown; maintain a slow boil on a large amount of food.
- MEDIUM LOW - Cereal; maintain the serving temperature of most foods.
- LO - Cook after starting at HI; cook with little water in in a covered pan. Use to steam rice.

#### **NOTE:**

1. At HI or MEDIUM HIGH, never leave food unattended. Boil-overs cause smoking; greasy spillovers may catch fire.
2. At LO, melt chocolate, butter on a small element.

### **COOKING TIPS**

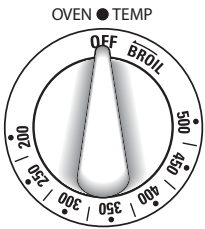
- Use medium- or heavyweight cookware. Aluminum cookware conducts heat faster than other metals. Cast-iron and coated cast-iron cookware is slow to absorb heat, but generally cooks evenly at low or medium heat settings. Steel pans may cook unevenly if not combined with other metals.
- Do not overfill cookware with fat that may spill over when adding food. Frosty foods bubble vigorously. Watch foods frying at high temperatures. Keep range and hood clean from accumulated grease.
- To conserve the most cooking energy, pans should be flat on the bottom, have straight sides and tight-fitting lids. Match the size of the saucepan to the size of the surface element. A pan that extends more than an inch beyond the edge of the drip pan, traps heat, which causes "crazing" (fine hairline cracks) on porcelain, and discoloration ranging from blue to dark gray on chrome drip pans.

# OPERATION INSTRUCTIONS

## USING THE OVEN

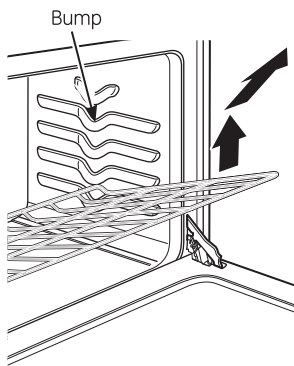
The **OVEN TEMP** knob is located on the control panel on the front of the range.

### OVEN TEMPERATURE CONTROLS



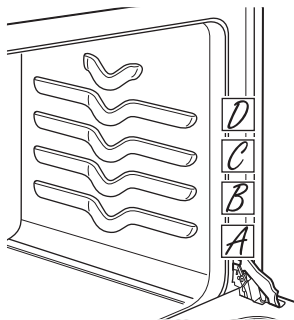
- To use the oven, simply turn the knob to the desired cooking temperatures, which are marked in 25°F increments on the dial. **OVEN TEMP** maintains the temperature you set, from **200°F** to **BROIL**.
- The Oven Cycling Light glows until the oven reaches your selected temperature, then goes off and on with the oven unit(s) during cooking.

### OVEN SHELVES



- The shelves are designed with stop-locks so when placed correctly on the shelf supports, they will stop before coming completely out of the oven and will not tilt when you are removing food from them or placing food on them.
- When placing cookware on a shelf, pull the shelf out to the bump on the shelf support. Place the cookware on the shelf, then slide the shelf back into the oven. This will eliminate reaching into the hot oven.
- **To remove the shelves from the oven**, pull them toward you, tilt front end upward and pull them out.
- **To replace**, place the shelf on the shelf support with stop-locks (curved extension of shelf) facing up and toward the back of the oven. Tilt up the front and push the shelf toward the back of the oven until it goes past the bump on the shelf support. Then lower the front of the shelf and push it all the way back.

### OVEN SHELF POSITIONS



- The oven has four shelf supports - A (bottom), B, C, and D (top).
- Shelf positions for cooking are suggested on Baking and Roasting pages.

The oven has 4 shelf positions.

### USE OF ALUMINUM FOIL

- Do not use aluminum foil to line oven bottoms. The foil will trap heat below and upset the performance of the oven. Foil can melt and permanently damage the oven bottom. Damage from improper use of aluminum foil is not covered by the product warranty.
- Foil may be used to catch spills by placing a sheet on a lower rack, several inches below the food. Do not use more foil than necessary, and never entirely cover an oven rack this aluminum foil. Keep foil at least 1 1/2" from oven walls to prevent poor heat circulation.

# OPERATION INSTRUCTIONS

## USING THE OVEN FOR BAKING OR ROASTING

To avoid possible burns, place the shelves in the desired position before you turn the oven on.

### **HOW TO SET YOUR OVEN FOR BAKING OR ROASTING**

1. Position the shelf or shelves in the oven. If cooking on two shelves at the same time, stagger the pans for best heat circulation.
2. Close oven door. Turn OVEN TEMP knob clockwise to desired temperature. Preheat oven for at least 10 minutes if preheating is necessary.
3. Place food in oven on center of shelf. Allow at least 2 inches between edge of bake-ware and oven wall or adjacent cookware.
4. Check the food to see if it is done at the minimum time on the recipe. Cook longer if necessary. Turn OVEN TEMP knob to OFF and remove the food.

### **SHELF POSITIONS**

- Most baking is done on the second shelf position (B) or the third shelf position (C) from the bottom.
- When baking 3 or 4 items, use two shelves positioned on the second and fourth sets of supports (B & D) from the bottom of the oven.
- Bake angel food cakes on the first shelf position (A) from the bottom of the oven.
- Roasting is usually done on the bottom shelf position (A).

### **PREHEATING**

- Preheating the oven takes about 10 minutes.
- Preheat the oven only when necessary, usually for baking.
- Most roasts will cook satisfactorily without preheating.
- If you find preheating is necessary, keep an eye on the Oven Cycle light and put food in the oven promptly after the light goes out. The oven cycle light will then cycle on and off with the oven thermostat as it cycles to maintain the oven temperature.

### **BAKING AND ROASTING TIPS**

- Follow a tested recipe and measure the ingredients carefully. If you are using a package mix, follow label directions.
- Do not open the oven door during a baking operation - heat will be lost and the baking time might need to be extended. This could cause poor baking results. If you must open the door, open it partially - only 3 or 4 inches - and close it as quickly as possible.
- Roasting is cooking by dry heat. Tender meat or poultry can be roasted uncovered in your oven. Roasting temperatures, which should be low and steady, keep spattering to a minimum. When roasting, it is not necessary to sear, baste, cover, or add water to your meat.
- Frozen roasts of beef, pork, lamb, etc., can be started without thawing, but allow 10 to 25 minutes of additional time per pound of meat (10 minutes per pound for roasts under 5 pounds, more time for larger roasts).
- Thaw most frozen poultry before roasting to ensure even cooking. Some commercial frozen poultry can be cooked successfully without thawing. Follow directions given on package label.

# OPERATION INSTRUCTIONS

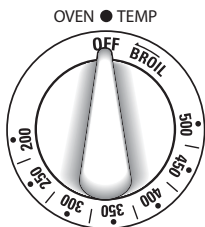
## ADJUST THE OVEN THERMOSTAT - EASY TO DO YOURSELF

You may find that your new oven cooks differently than the one it replaced. Use your new oven for a few weeks to become more familiar with it. If you still think your new oven is too hot or too cold, you can adjust the thermostat yourself.

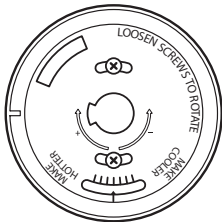
Do not use thermometers, such as those found in grocery stores, to check the temperature setting of your oven. These thermometers may vary 20-40°F.

**Note:** This adjustment will not affect the broiling temperatures. The adjustment will be retained after a power failure.

### TO ADJUST THE THERMOSTAT WITH THIS TYPE OF KNOB



Front of OVEN TEMP knob  
(knob appearance may vary)



Back of OVEN TEMP knob

1. Pull the **OVEN TEMP** knob off the range and look at the back side. To make an adjustment, loosen (approximately one turn), but do not completely remove, the two screws on the back of the knob.
2. With the back of the knob facing you, hold the outer edge of the knob with one hand and turn the front of the knob with the other hand.

**To increase** the oven temperature, move the top screw toward the right. You will hear a click for each notch you move the knob.

**To decrease** the oven temperature, move the top screw toward the left.

Each click will change the oven temperature approximately 10°F. (The range is plus or minus 60°F from the arrow.) We suggest that you make the adjustment one click from the original setting and check oven performance before making any additional adjustments.)

3. **After the adjustment is made**, retighten screws so that they are snug, but be careful not to over-tighten.
4. Replace the knob, matching the flat area of the knob to the shaft, and check performance.

### THE TYPE OF MARGARINE WILL AFFECT BAKING PERFORMANCE

- **Most recipes for baking have been developed using high-fat products such as butter or margarine (80% fat). If you decrease the fat, the recipe may not give the same results as with a higher fat product.**
- Recipe failure can result if cakes, pies, pastries, cookies, or candies are made with low-fat spreads. The lower the fat content of a spread product, the more noticeable these differences become.
- Federal standards require products labeled "margarine" to contain at least 80% fat by weight. Low-fat spreads, on the other hand, contain less fat and more water. The high moisture content of these spreads affects the texture and flavor of baked goods. For best results with your old favorite recipes, use margarine, butter or stick spreads containing at least 70% vegetable oil.

# OPERATION INSTRUCTIONS

## USING THE OVEN FOR BROILING

Broiling may be slightly different from any previous broiling you may be acquainted with, so be sure to read this section completely.

### HOW TO SET YOUR OVEN FOR BROILING

Broiling is cooking food by intense radiant heat from the upper element in the oven. Most fish and tender cuts of meat can be broiled. Follow these steps to keep spattering and smoking to a minimum.

1. If the meat has fat or gristle around the edge, cut vertical slashes through both about 2" apart. If desired, fat may be trimmed, leaving a layer about 1/8" thick.
2. Place the meat on a broiler grid in a broiler pan designed for broiling. Always use the grid so the fat drips into the broiler pan; otherwise the juices may become hot enough to catch fire.
3. Place the shelf in position C for most broiling.
4. Close the door. **Always broil with the door closed.**
5. Turn the **OVEN TEMP** knob clockwise to **BROIL**. You will feel a slight niche at the broil position.
6. Turn food only once during cooking.
7. Turn the **OVEN TEMP** knob to **OFF**. Serve food immediately, and leave the pan outside the oven to cool during the meal for easiest cleaning.

### BROILING GUIDE

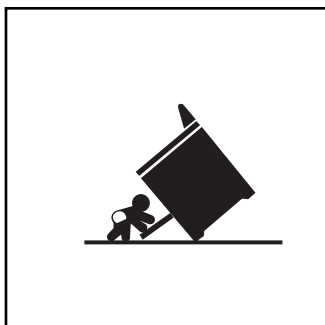
- If desired, marinate meats or chicken before broiling, or brush with barbecue sauce the last 5 to 10 minutes only.
- Frozen steaks can be broiled by positioning the oven shelf at the next lowest shelf position and increasing cooking time given in this guide 1 1/2 times per side.
- When arranging food on pan, do not let fatty edges hang over sides, because the dripping fat will soil the oven.
- If your range is connected to 208 volts, rare steaks may be broiled by preheating the broiler and positioning the oven shelf one position higher.

Food	Amount or Thickness	Shelf Position	Time in Minutes		Comments
			First Side	Second Side	
Bacon	½ lb. (about 8 thin slices)	C	3½ min.	3½ min.	Arrange in a single layer.
Ground Beef	1 lb. (4 patties) ½ to ¾" thick	C	10 min.	7 min.	Space evenly.
Beef Steaks (medium)	1" thick 1 to 1½lbs	C	9 min.	9 min.	Steaks less than 1" thick cook through before browning. Pan frying is recommended. Slash fat.
Chicken	1 whole 2 to 2½lbs., split lengthwise	A	35 min.	15 min.	Reduce time about 5 to 10 minutes per side for cut-up chicken. Brush each side with melted butter. Broil skin-side-down first.
Fish	1 lb. fillets ¼ to ½" thick	C	5 min.	5 min.	Handle and turn very carefully. Brush with lemon butter before and during cooking, if desired. Preheat broiler to increase browning.

# CARE AND MAINTENANCE

Be sure electrical power is off and all surfaces are cool before cleaning any part of the range.

Proper care and cleaning are important so that your range will give you efficient and satisfactory service. Follow these directions carefully in caring for your range to assure safe and proper maintenance.



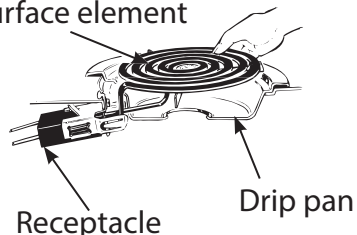
## WARNING

### Tip-Over Hazard

A child or adult can tip the range and be killed. Verify the anti-tip bracket has been properly installed and engaged to the floor or wall. Ensure the anti-tip bracket is re-engaged when the range is moved by sliding the anti-tip arm just under the bracket. Do not operate the range without the anti-tip bracket in place and engaged. Failure to follow these instructions can result in death or serious burns to children or adults.

## SURFACE ELEMENTS AND DRIP PANS

Surface element



To remove the surface unit, lift it about 1 inch above the drip pan and pull it out.



Replace the drip pan into the recess in the cooktop.

To clean the surface units, turn the control to the highest setting for a minute. The coils will burn off any soil.

### **To remove a surface element:**

- To remove the drip pans for cleaning, the surface elements must be removed first. Make sure the surface elements are cool before touching them.
- Lift the surface element about 1" above the drip pan and pull it out.
- Do not lift the surface element more than 1". If you do, it may not lie flat on the drip pan when you plug it back in.
- **NOTE:** Repeated lifting of the surface element more than 1 inch above the drip pan can permanently damage the receptacle.

### **To replace a surface element:**

- Replace the drip pan into the recess in the cooktop. Make sure the opening in the pan lines up with the receptacle.
- Insert the terminals of the surface element through the opening in the drip pan and into the receptacle.
- Guide the surface element into place, so it rests evenly.

### **To clean the drip pans:**

- Drip pans can be cleaned in the dishwasher or by hand. If you use a scouring pad, rub lightly to prevent scratching.
- **Q: Can I cover the drip pans with foil?**
- **A: No, because using foil so close to the receptacle could cause shock, fire or damage to the range.**

### **CAUTION:**

- Do not immerse the surface elements in liquids of any kind.
- Do not clean the surface units in a dishwasher.
- Do not bend the surface unit plug terminals.
- Do not attempt to clean, adjust or in any way repair the plug-in receptacle.

# CARE AND MAINTENANCE

## PORCELAIN ENAMEL COOKTOP

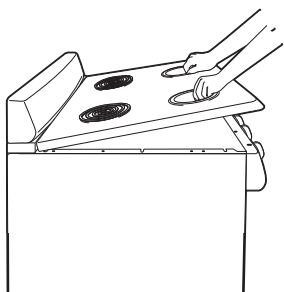
The porcelain enamel finish is sturdy, but breakable if misused. This finish is acid-resistant. However, any acidic foods spilled (such as fruit juices, tomato or vinegar) should not be permitted to remain on the finish.

## OVEN SHELVES



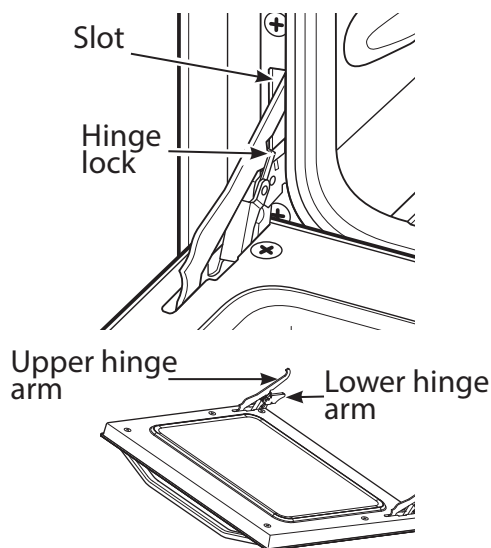
Clean the shelves with an abrasive cleanser or steel wool. After cleaning, rinse the shelves with clean water and dry with a clean cloth.

## LIFT-UP COOKTOP



- Clean the area under the cooktop often. Built-up soil, especially grease, may catch on fire.
- To make cleaning easier, the cooktop may be lifted up and propped open.
- Be sure all surface elements are turned off before raising the cooktop.
- Remove the front surface and drip pans. See the Surface Elements and Drip Pans section. Grasp the two front surface element wells and lift the cooktop up and prop it open with the prop rod provided.
- After cleaning underneath the cooktop with hot, soapy water and a clean cloth, hold the cooktop up, return the prop rod to its storage position and lower the cooktop until it snaps into position. Be careful not to pinch your fingers. Replace the two front drip pans and surface elements. See the Surface Elements and Dip Pans section.

## LIFT-OFF OVEN DOOR



The oven door is removable, but it is heavy. You may need help removing and replacing the door.

### **To remove the door:**

1. Open the door to the full open position.
2. Pull the hinge locks up over the hinge hooks on both sides.
3. Grasp the door firmly on each side, lift slightly and pull it straight out and away from the oven.

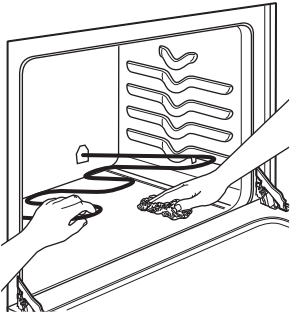
### **To replace the door:**

1. Firmly grasp both sides of the door at the top.
2. Insert and seat the upper and lower hinge arms into the oven slots.
3. Push the hinge locks down from the hinge hooks.
4. Close the oven door and make sure it is working properly. If it is not working properly, remove and replace it following the above steps.

**DO NOT ATTEMPT TO CLOSE THE DOOR UNTIL THIS STEP IS COMPLETE. THE HINGE OR DOOR COULD BE DAMAGED.**

# CARE AND MAINTENANCE

## OVEN HEATING ELEMENTS



- Do not clean the bake element or the broil element. Any soil will burn off when the elements are heated.
- The bake element can be lifted gently to clean the oven floor. Do not attempt to clean any oven surface when any burner element is on. Always wear protective hand-wear when cleaning interior oven surfaces or surfaces near heating elements. If spillovers, residue or ash accumulate around the bake element, gently wipe around the element with warm water.

## GLASS WINDOW (on some models)

- To clean the outside glass finish, use a glass cleaner. Rinse and polish with a dry cloth. Avoid scratching or impacting the glass window. Doing so may cause the glass to break.

## CONTROL KNOBS

- The control knobs may be removed for easier cleaning.
- Make sure the knobs are in the **OFF** positions and pull them straight off the stems for cleaning.
- The knobs can be cleaned in a dishwasher or they may also be washed with soap and water. Make sure the insides of the knobs are dry before replacing.
- Replace the knobs in the **OFF** position to ensure proper placement.

## PAINTED SURFACES

- Painted surfaces include the sides, control panel, door and kick panel. Clean these with soap and water or a vinegar and water solution.
- Do not use commercial oven cleaners, cleansing powders, steel wool or harsh abrasives on any painted surface.

## PORCELAIN OVEN INTERIOR

- With proper care, the porcelain enamel interior will retain its attractive finish for many years.
- Soap and water will normally do the job. Heavy spattering or spillovers may require cleaning with a mild abrasive cleanser. Soapy, wet pads may also be used. Do not allow food spills with a high sugar or acid content (such as milk, tomatoes, sauerkraut, fruit juices or pie filling) to remain on the surface. They may cause dull spots even after cleaning.
- Household ammonia may make the cleaning job easier. Place 1/2 cup ammonia in a shallow glass pan and leave in a cold oven overnight. The ammonia fumes will help loosen the burned-on grease and food.
- When necessary, you may use a commercial oven cleaner. Follow the package directions.

### Cautions about using spray-on oven cleaners:

- Do not spray the oven cleaner on the electrical controls and switches, because it could cause a short circuit and result in sparking or fire.
- Do not directly spray oven cleaner onto the oven heating elements.



# CARE AND MAINTENANCE

## PORCELAIN OVEN INTERIOR (continued)

### Cautions about using spray-on oven cleaners:

- Do not allow a film from the cleaner to remain on the temperature sensor - it could cause the oven to heat improperly. (The sensor is located at the top of the oven.) Carefully wipe the bulb clean after each oven cleaning, being careful not to move the sensor since a change in its position could affect how the oven bakes.
- Do not spray any oven cleaner on the outside oven door, handles or any exterior surface of the oven, cabinet or painted surfaces. The cleaner can damage these surfaces.

## OVEN LIGHT REPLACEMENT (on some models)

### **WARNING** SHOCK OR BURN HAZARD

*Before replacing the oven light bulb, disconnect the electrical power to the range at the main fuse or circuit breaker panel. Failure to do so may result in electric shock or burn. Be sure to let the light cover and bulb cool completely.*

The oven light bulb is covered with a removable glass cover that is held in place with a bail-shaped wire. Remove the oven door, if desired, to reach the cover easily.

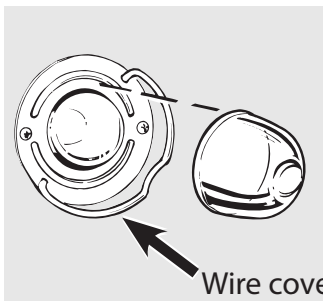
Be sure to let the light cover and bulb cool completely.

#### To remove the cover:

1. Hold a hand under the cover so it doesn't fall when released. With the fingers of the same hand, firmly push back the wire cover holder. Lift off the cover. **Do not remove any screws to remove the cover.**
2. Do not touch the hot bulb with a wet cloth. Replace the bulb with a 40-watt appliance bulb.

#### To replace the cover:

1. Place it into the groove of the light receptacle. Pull the wire forward to the center of the cover, until it snaps into place. When in place, the wire holds the cover firmly. Be certain that the wire is in the depression in the center of the cover.
2. Connect the electrical power to the range.



# INSTALLATION INSTRUCTIONS

## BEFORE YOU BEGIN

Read these instructions completely and carefully.

**IMPORTANT** - Save these instructions for the local inspector's use.

**IMPORTANT** - Observe all governing codes and ordinances.

**Note to Installer** - Be sure to leave these instructions with the Consumer.

**Note to Consumer** - Keep these instructions for future reference.

**Skill level** - Installation of this appliance requires basic mechanical skills.

**Completion time** - 1 to 3 hours

Proper installation is the responsibility of the installer.

Product failure due to improper installation is not covered under the Warranty.



### WARNING

**THIS APPLIANCE MUST BE PROPERLY GROUNDED.**



### WARNING

### FOR YOUR SAFETY:

Before beginning the installation, switch the power off at the service panel and lock the service disconnecting means to prevent power from being switched on accidentally. When the service disconnecting means cannot be locked, securely fasten a prominent warning device, such as a tag, to the service panel.

### FOR YOUR SAFETY:

- All rough-in and spacing dimensions must be met for safe use of your range. Electricity to the range can be disconnected at the outlet without moving the range if the outlet is in the preferred location (remove the lower drawer).
- To reduce the risk of burns or fire when reaching over hot surface elements, cabinet storage space above the cooktop should be avoided. If cabinet storage space is to be provided above the cooktop, the risk can be reduced by installing a range hood that sticks out at least 5" beyond the front of the cabinets. Cabinets installed above a cooktop must be no deeper than 13".
- Be sure your appliance is properly installed and grounded by a qualified technician.
- Make sure the cabinets and wall coverings around the range can withstand the temperatures (up to 200°F) generated by the range.

### ANTI-TIP DEVICE



### WARNING

#### Tip-Over Hazard

- A child or adult can tip the range and be killed.
- Install the anti-tip bracket to the wall or floor.
- Engage the range to the anti-tip bracket by sliding the range back so the anti-tip arm slides under the anti-tip bracket.
- Re-engage the anti-tip bracket if the range is moved.
- Failure to do so can result in death or serious burns to children and adults.

# INSTALLATION INSTRUCTIONS

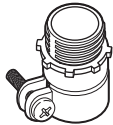
## PREPARE TO INSTALL THE RANGE

### MATERIALS YOU MAY NEED



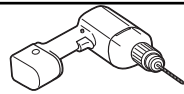
(UL Approved 40 AMP)

4-Wire Cord 4' Long OR 3-Wire Cord 4' Long



Squeeze Connector  
(For Conduit Installations Only)

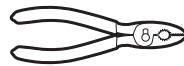
### TOOLS YOU WILL NEED



Drill with 1/8" bit



Adjustable Wrench



Pliers



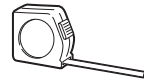
1/4" Nut Driver



Phillips Screwdriver



Safety Glasses



Tape Measure



Pencil

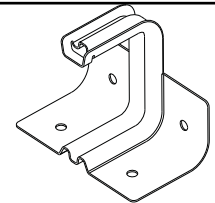


Level



Flat-blade Screwdriver

### PARTS INCLUDED



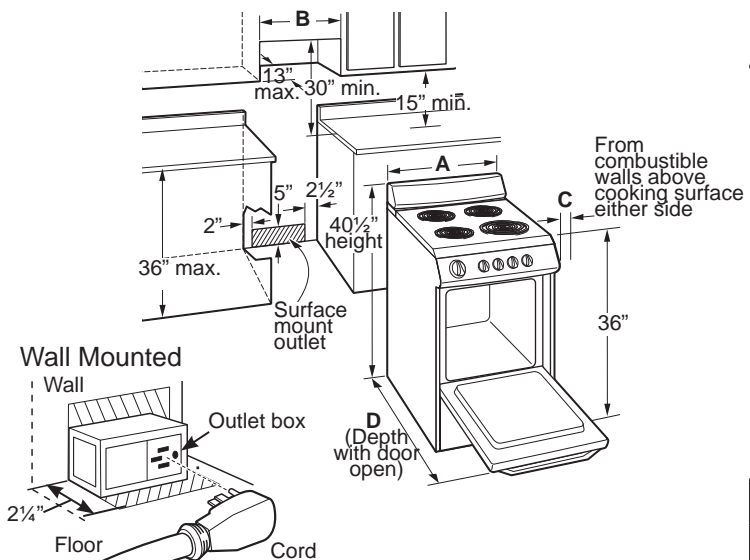
Anti-Tip Bracket Kit

## (1) REMOVE SHIPPING MATERIALS

Remove packaging materials. Failure to remove packaging materials could result in damage to the appliance.

## (2) PREPARE THE OPENING

- Allow 2" spacing from the range to adjacent vertical walls above the cooktop surface. Allow 30" minimum clearance between the surface elements and the bottom of unprotected wood or metal top cabinets, and 15" minimum between the countertop and the adjacent cabinet bottom.
- To eliminate the risk of burns or fire when reaching over hot surface elements, cabinet storage space above the cooktop should be avoided. If cabinet storage space is to be provided above the cooktop, the risk can be reduced by installing a range hood that protrudes at least 5" beyond the front of the cabinets. Cabinets installed above a cooktop may be no deeper than 13".



Recommended acceptable electrical outlet area. Orient the electrical receptacle so the length is parallel to the floor.

### Flooring under the range

- Your range, like many other household items, is heavy and can settle into soft floor coverings such as cushioned vinyl or carpeting.
- When moving the range on this type of flooring, it should be installed on a 1/4" thick sheet of plywood (or similar material) as follows:
- When the floor covering ends at the front of the range, the area that the range will rest on should be built up with plywood to the same level or higher than the floor covering. This will allow the range to be moved for cleaning or servicing.

Model	A	B	C	D
20" Wide	20"	20 3/8"	2"	41"
24" Wide	24"	24 3/8"	2"	41"

# INSTALLATION INSTRUCTIONS

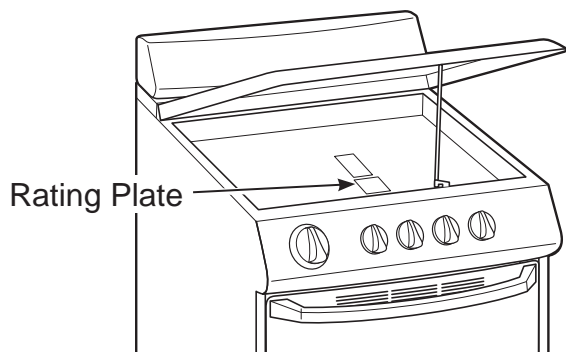
## ELECTRICAL CONNECTIONS

### ELECTRICAL REQUIREMENTS

#### CAUTION

For personal safety, do not use an extension cord with this appliance. Remove house fuse or open circuit breaker before beginning installation.

- This appliance must be supplied with the proper voltage and frequency, and connected to an individual properly grounded branch circuit, protected by a circuit breaker or fuse having amperage as specified on the rating plate. The rating plate is located under the cooktop. See the Lift-Up Cooktop section in this manual for instructions on how to lift the cooktop.



- We recommend you have the electrical wiring and hookup of your range connected by a qualified electrician. After installation, have the electrician show you where your main range disconnect is located.
- Check with your local utilities for electrical codes which apply in your area. Failure to wire your oven according to governing codes could result in a hazardous condition. If there are no local codes, your range must be wired and fused to meet the requirements of the National Electrical Code, ANSI/ NFPA No. 70 - Latest Edition. You can get a copy by writing:
  - National Fire Protection Association, Batterymarch Park, Quincy, MA 02269

Effective January 1, 1996, the National Electrical Code requires that new construction (not existing) utilize a 4-conductor connection to an electric range.

When installing an electric range in a new construction, follow Steps 3 and 5 for 4-wire connection.

- You must use a 3-wire, single-phase A.C. 208Y/120 Volt or 240/120 Volt, 60 hertz electrical system. If you connect to aluminum wiring, properly installed connectors approved for use with aluminum wiring must be used.
- If the electrical service provided does not meet the above specifications, have a licensed electrician install an approved outlet.
- **NOTE:** Use of automatic, wireless, or wired external switches that shut off power to the appliance is not recommended for this product.

#### STOP

**ALL NEW BRANCH CIRCUIT INSTALLATIONS, MOBILE HOMES, RECREATIONAL VEHICLES AND INSTALLATIONS WHERE LOCAL CODES DO NOT ALLOW GROUNDING THROUGH NEUTRAL, REQUIRE A 4-CONDUCTOR CORD OR CONDUIT**

- Use only a 3-conductor or a 4-conductor UL-listed range cord. These cords may be provided with ring terminals on wire and a strain relief device.
- A range cord rated at 40 amps with 125/250 minimum volt range is required. A 50 amp range cord is not recommended but if used, it should be marked for use with nominal 1  $\frac{3}{8}$ " diameter connection openings. Care should be taken to center the cable and strain relief within the knockout hole to keep the edge from damaging the cable.
- Because range terminals are not accessible after the range is in position, a flexible service conduit or cord must be used.
- **NOTE:** If conduit is being used, go to Step 3D and then to Step 6 or 7.
- On some models, a filter capacitor may be connected between the black and white leads on the junction block.

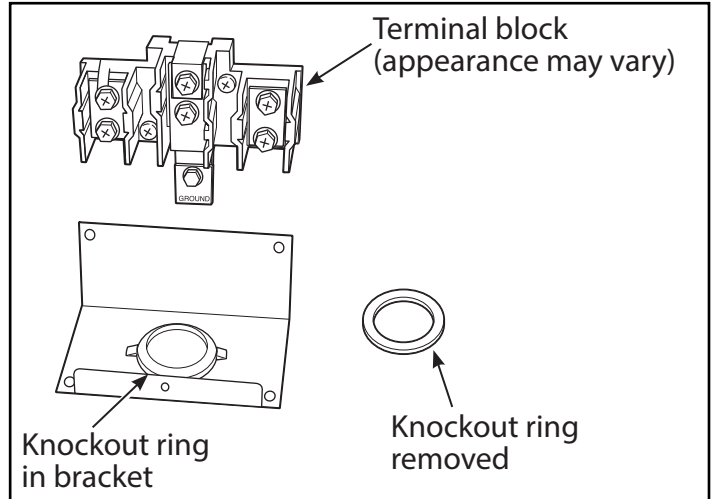
# INSTALLATION INSTRUCTIONS

## ELECTRICAL CONNECTIONS (CONT'D)

### (3) POWER CORD AND STRAIN RELIEF INSTALLATION

(A) Remove the wire cover (on the lower back of the range) by removing its top center screw. **Do not discard this screw.**

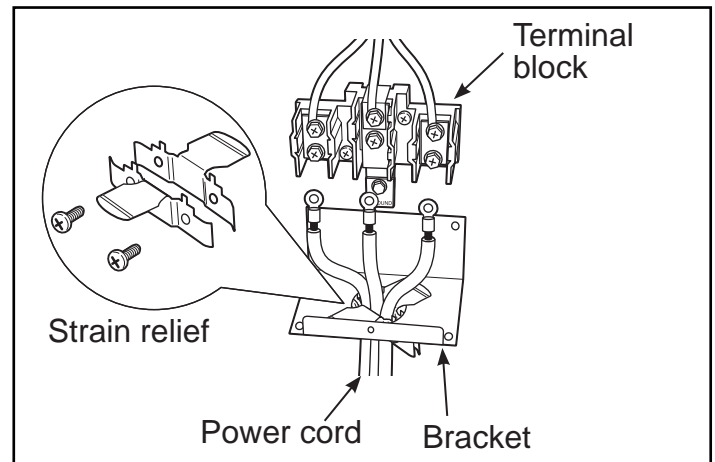
(B) Remove the knockout ring ( $1 \frac{3}{8} \leq$ ) located on the bracket directly below the terminal block. To remove the knockout, use a pair of pliers to bend the knockout ring away from the bracket and twist until the ring is removed.



(C) **For power cord installations only** (see the next step D if using a conduit), assemble the strain relief in the hole. Insert the power cord through the strain relief and tighten. Allow enough slack to easily attach the cord terminals to the terminal block. If tabs are present at the end of the winged strain relief, they can be removed for better fit.

**NOTE: Do not install the power cord without a strain relief. The strain relief bracket should be installed before reinstalling the rear range wiring cover.**

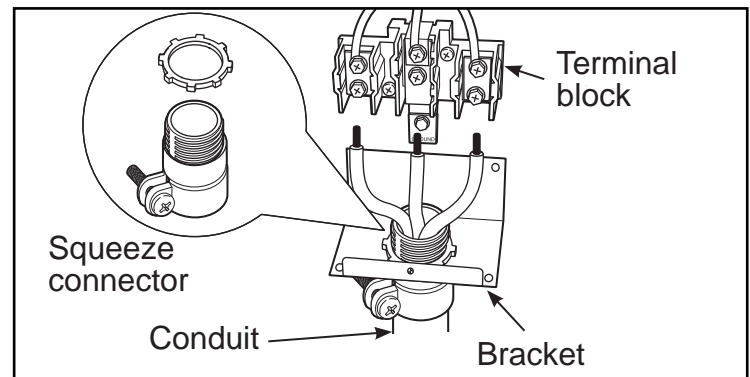
Skip to Step 4 or 5.



(D) **For conduit installations only**, purchase a squeeze connector matching the diameter of your conduit and assemble it in the hole. Insert the conduit through the squeeze connector and tighten. Allow enough slack to easily attach the wires to the terminal block.

**NOTE: Do not install the conduit without a squeeze connector. The squeeze connector should be installed before reinstalling the rear range wiring cover.**

Skip to Step 6 or 7.



# INSTALLATION INSTRUCTIONS

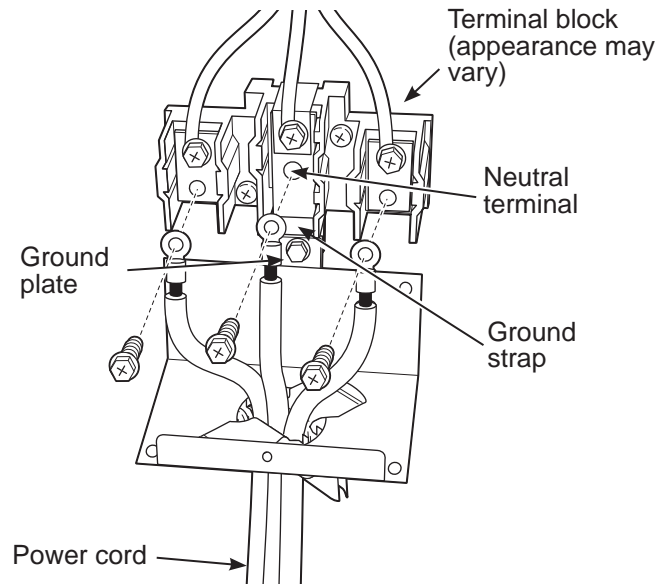
## 4) 3-WIRE POWER CORD INSTALLATION

### WARNING

The neutral or ground wire of the power cord must be connected to the neutral terminal located in the center of the terminal block. The power leads must be connected to the lower left and the lower right terminals of the terminal block.

(A) Remove the 3 lower terminal screws from the terminal block. Insert the 3 terminal screws through each power cord terminal ring and into the lower terminals of the terminal block. Be certain that the center wire (white/neutral) is connected to the center lower position of the terminal block. Tighten screws securely into the terminal block. **DO NOT remove the ground strap connection.**

(B) Skip to Step 8 and proceed with the installation.



## 5) 4-WIRE POWER CORD INSTALLATION

### WARNING

The neutral wire of the supply circuit must be connected to the neutral terminal located in the lower center of the terminal block. The power leads must be connected to the lower left and the lower right terminals of the terminal block. The 4th grounding lead must be connected to the frame of the range with the ground plate and the ground screw.

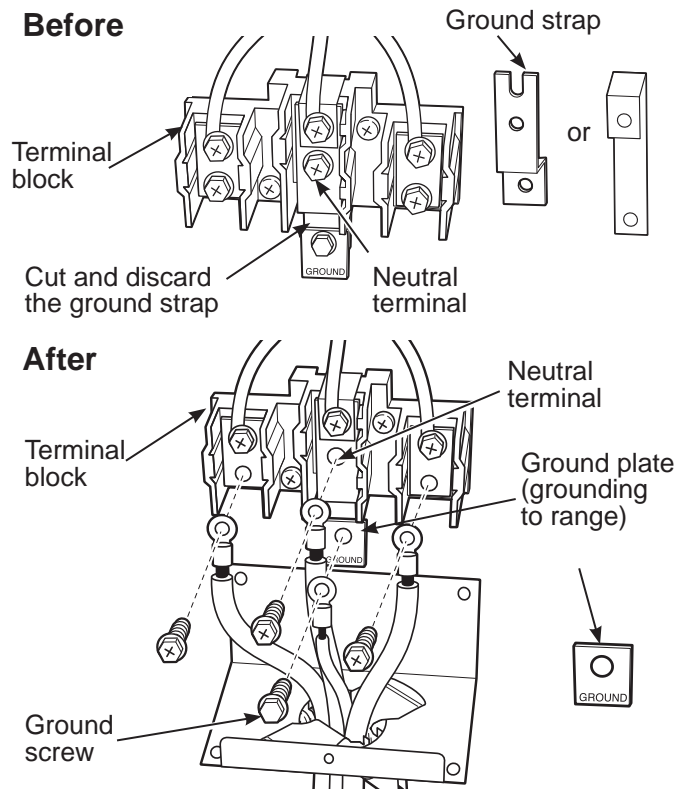
(A) Remove the 3 lower terminal screws from the terminal block. Remove the ground screw and ground plate and retain them.

(B) **Cut and discard the ground strap. DO NOT DISCARD ANY SCREWS.**

(C) Insert the one ground screw into the power cord ground wire terminal ring, through the ground plate and into the frame of the range.

(D) Insert the 3 terminal screws (removed earlier) through each power cord terminal ring and into the lower terminals of the terminal block. Be certain that the center wire (white/neutral) is connected to the center lower position of the terminal block. Tighten the screws securely into the terminal block.

(E) Skip to Step 8 and proceed with the installation.



# INSTALLATION INSTRUCTIONS

## ELECTRICAL CONNECTIONS (CONT'D)

### (6) 3-WIRE CONDUIT INSTALLATION

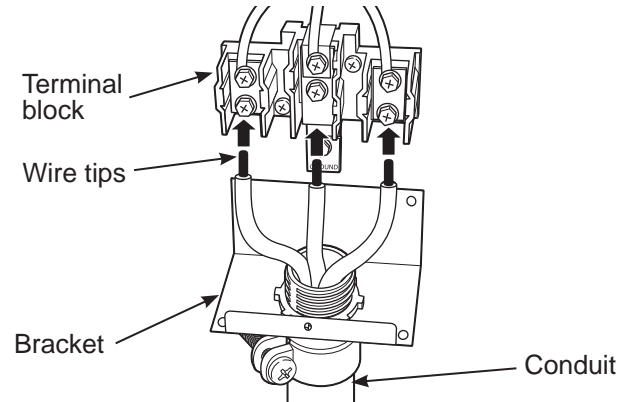
(A) Loosen the 3 lower terminal screws from the terminal block. Insert the center bare wire (white/neutral) tip through the bottom center terminal block opening. On certain models, the wire will need to be inserted through the ground strap opening and then into the bottom center block opening. Insert the two side bare wire tips into the lower left and lower right terminal block openings. Tighten the screws until the wire is firmly secure (approximately 20 inch-lbs.).

#### NOTE: ALUMINUM WIRING

Aluminum building wire may be used, but it must be rated for the correct amperage and voltage to make connection. Connect wires according to this Step 6 or Step 7 depending on the number of wire.

**Wire used, location and enclosure of splices, etc., must conform to good wiring practices and local codes.**

(B) Skip to Step 8 and proceed with the installation.



### (7) 4-WIRE CONDUIT INSTALLATION

(A) Loosen the three lower terminal screws from the terminal block. Remove the ground screw and ground plate and retain them. **Cut and discard the ground strap. DO NOT DISCARD ANY SCREWS.**

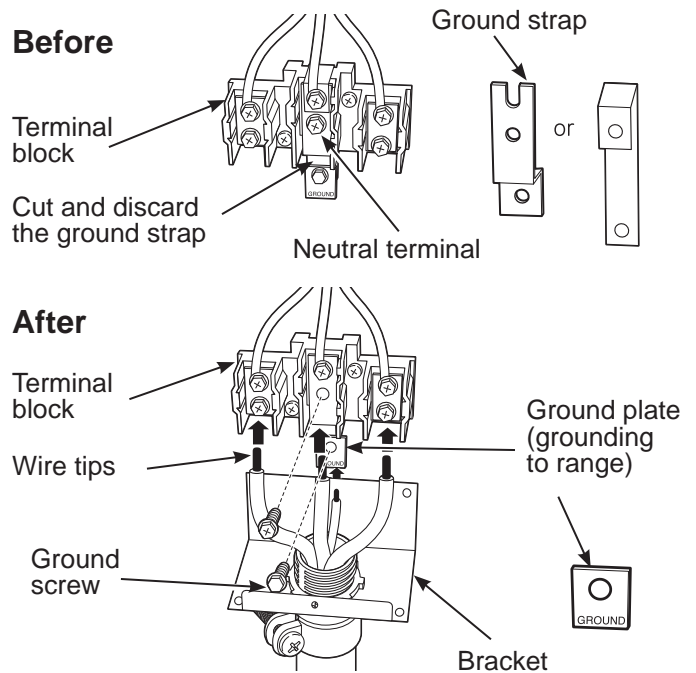
(B) Insert the ground bare wire tip between the range frame and ground plate (removed earlier) and secure it in place with the ground screw (removed earlier) and secure it in place with the ground screw (removed earlier). Insert the bare wire (white/neutral) tip through the bottom center of the terminal block opening. Insert the two side bare wire tips into the lower left and the lower right terminal block openings. Tighten the screws until the wire is firmly secure (approximately 20 inch-lbs.).

**Wire used, location and enclosure of splices, etc., must conform to good wiring practices and local codes.**

(C) Proceed to Step 8.

### (8) REPLACE THE WIRE COVER


Replace the wire cover on the range back by sliding its two lower retaining tabs into the slots and replacing the screw removed earlier. Make sure that no wires are pinched between the cover and the range back.



# INSTALLATION INSTRUCTIONS

## INSTALL THE RANGE

### (9) ANTI-TIP DEVICE INSTALLATION

	<p><b>WARNING</b></p> <p><b>Tip-Over Hazard</b></p> <ul style="list-style-type: none"><li>• A child or adult can tip the range and be killed.</li><li>• Install the anti-tip bracket to the wall or floor.</li><li>• Engage the range to the anti-tip bracket by sliding the range back so the anti-tip arm slides under the anti-tip bracket.</li><li>• Re-engage the anti-tip bracket if the range is moved.</li><li>• Failure to do so can result in death or serious burns to children or adults.</li></ul>
---	---

To reduce the RISK OF TIPPING the range, the range must be secured by a properly installed ANTI-TIP BRACKET. Secure the bracket with the screws provided. See installation instructions for complete details before attempting to install.

**NOTE:** The installation of the ANTI-TIP bracket must meet all local codes for securing the appliance.

### STEP 1 LOCATE THE BRACKET

#### **IMPORTANT:**

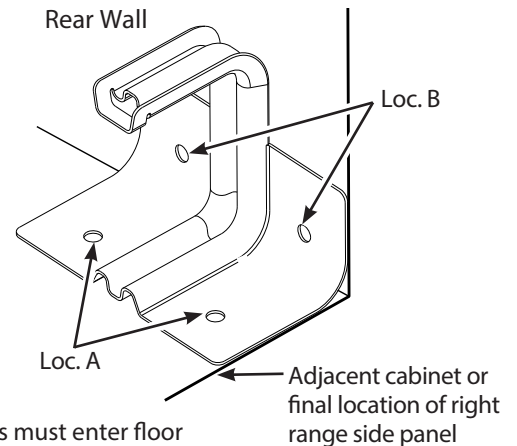
Determine the final location of the range before attempting to install the bracket.

**A** Place the bracket on the floor with the back edge against the rear wall. If the range does not reach the rear wall, align the back edge of the bracket with the rear panel of the range in its final location.

#### **IMPORTANT:**

If the bracket does not touch the rear wall, you **MUST** screw the bracket to the **FLOOR** as described in Step 2.

**B** Position the side of the bracket against the right cabinet. If there is no adjacent cabinet, align the edge of the bracket with the right side panel of the range in its final location. If the countertop overhangs the cabinet, offset the bracket from the cabinet by the amount of the overhang.



Two screws must enter floor or wall at Loc. A or B.

**C** Mark the location for the pair of holes to be used (see illustration above).

**NOTE:** For FLOOR installation use Loc. A. For REAR WALL installation use Loc. B.

### STEP 2 SECURE THE BRACKET

The bracket must be screwed to either the FLOOR or the REAR WALL.

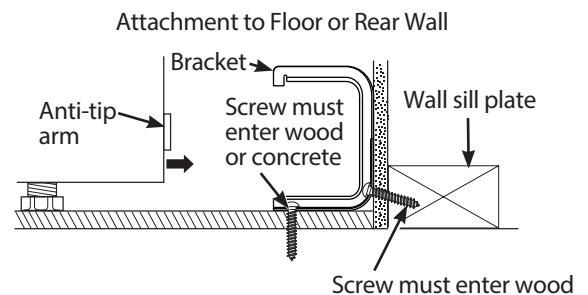
#### **FLOOR Installation**

**WOOD FLOOR:** Use the screws provided to secure the bracket using the pair of marked holes (Loc. A).

**CONCRETE FLOOR:** Using a concrete bit, drill a 5/32" pilot hole 2" deep into the concrete at the center of each of the marked holes (Loc. A). Use the screws provided to secure the bracket into the floor.

#### **REAR WALL Installation**

Use the 2 screws provided to secure the bracket using the pair of marked holes at Loc. B. The screws **MUST** enter into a wood sill plate. If the wall contains any metal studs or similar materials, then the floor must be used.





# INSTALLATION INSTRUCTIONS

## INSTALL THE RANGE

### (9) ANTI-TIP DEVICE INSTALLATION (cont'd)

#### **STEP 3 CHECK THE BRACKET**

After installing the bracket, slide the range into its final location. To check if the bracket is installed and engaged properly, look underneath the range to see that the anti-tip arm attached to side panel is engaged in the bracket. On some models, the storage drawer or kick panel can be removed for easier inspection. If visual inspection is not possible, slide the range forward, confirm the anti-tip bracket is securely attached to the floor or wall, and slide the range back so the anti-tip arm slides just under the anti-tip bracket. If the range is pulled from the wall for any reason, always repeat this procedure to verify the range is properly secured by the anti-tip bracket.

#### **⚠ IMPORTANT:**

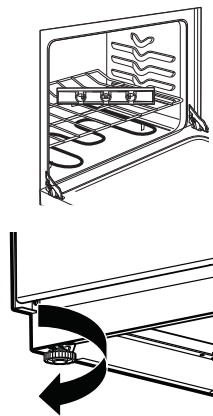
The anti-tip bracket must be **PROPERLY INSTALLED** to prevent the range from tipping. **NEVER** remove the leveling legs. This will prevent the range from being secured to the ANTI-TIP bracket properly.

### (10) LEVEL THE RANGE

For proper cooking and baking, the range must be leveled. Leveling legs are located on each corner at the base of the range.

(A) Install the oven shelves (see **Using the oven** section for instructions). Put a spirit level or a glass measuring cup partially filled with water on one of the oven shelves. If using a spirit level, take two readings - with the level placed diagonally, first in one direction and then the other.

(B) Turn the legs clockwise to raise the range and counterclockwise to lower the range. Adjust the leveling legs until the range is level.



### (11) FINAL INSTALLATION CHECKLIST

- Check to make sure the circuit breaker is closed (RESET) or the circuit fuses are replaced.
- Be sure power is in service to the building.
- Check to be sure that all packing materials and tape have been removed. This will include tape on the metal panel under control knobs (if applicable), adhesive tape, wire ties, cardboard and protective plastic. Failure to remove these materials could result in damage to the appliance once the appliance has been turned on and surfaces have heated.
- Check that the door and drawer are parallel to each other and that both operate smoothly. If they do not, see the Owner's Manual for proper replacement.
- Check to make sure that the Anti-Tip device is securely installed.
- Be sure all range controls are in the OFF positions before leaving the range.

# TROUBLESHOOTING GUIDE

Occasionally, a problem is minor and a service call may not be necessary- use this troubleshooting guide for a possible solution. If the unit continues to operate improperly, call an authorized service depot or Danby's Toll Free Number 1-800-263-2629 for assistance.

PROBLEM	POSSIBLE CAUSE	SOLUTION
Surface elements not functioning properly.	The surface elements are not plugged in solidly.	With the controls off, check to make sure that the surface element is plugged completely into the receptacle.
	The surface element controls are improperly set.	Check to see that the correct control is set for the surface element you are using.
	The drip pans are not set securely in the cooktop.	With the controls off, check to make sure the drip pan is in the recess in the cooktop and that the opening in the pan lines up with the receptacle.
Oven will not work.	A fuse in your home may be blown or the circuit breaker tripped.	Replace the fuse or reset the circuit breaker.
	Plug on range is not completely inserted in the electrical outlet.	Make sure that the electrical plug is plugged into a live, properly grounded outlet.
	Oven control is improperly set.	See the <i>Using the oven</i> sections.
Food does not broil properly.	Oven control is improperly set.	Make sure you turn the knob all the way to the <b>BROIL</b> position.
	Improper shelf position is being used.	See the <i>Broiling Guide</i> .
	Cookware is not suited for broiling.	Use the broiling pan and grid that came with your range.
	Aluminum foil used on the broiling pan and grid has not been fitted properly and slit as recommended.	See the <i>Use of aluminum foil</i> section.
Food does not bake or roast properly.	Oven control is improperly set.	See the <i>Using the oven for baking or roasting</i> section.
	Shelf position is incorrect or the shelf is not level.	See the <i>Using the oven for baking or roasting</i> section.
	Necessary preheating was not done.	See the <i>Using the oven for baking or roasting</i> section.
	Incorrect cookware or cookware of improper size is being used.	See the <i>Using the oven for baking or roasting</i> section.
Oven light does not work.	Light bulb is loose.	Tighten or replace the bulb.
	Switch which operates the light is broken.	Call for service.

## LIMITED IN-HOME APPLIANCE WARRANTY

This quality product is warranted to be free from manufacturer's defects in material and workmanship, provided that the unit is used under the normal operating conditions intended by the manufacturer.

This warranty is available only to the person to whom the unit was originally sold by Danby Products Limited (Canada) or Danby Products Inc. (U.S.A.) (hereafter "Danby") or by an authorized distributor of Danby, and is non-transferable.

### TERMS OF WARRANTY

Plastic parts, are warranted for thirty (30) days only from purchase date, with no extensions provided.

*First 18 months* During the first eighteen (18) months, any functional parts of this product found to be defective, will be repaired or replaced, at warrantor's option, at no charge to the ORIGINAL purchaser.

*To obtain service* Danby reserves the right to limit the boundaries of "In Home Service" to the proximity of an Authorized Service Depot. Any appliance requiring service outside the limited boundaries of "In Home Service", it will be the consumer's responsibility to transport the appliance (at their own expense) to the original retailer (point of purchase) or a service depot for repair. See "Boundaries of In Home Service" below. Contact your dealer from whom your unit was purchased, or contact your nearest authorized Danby service depot, where service must be performed by a qualified service technician. If service is performed on the unit by anyone other than an authorized service depot, or the unit is used for commercial application, all obligations of Danby under this warranty shall be void.

*Boundaries of In Home Service* If the appliance is installed in a location that is 100 kilometers (62 miles) or more from the nearest service center your unit must be delivered to the nearest authorized Danby Service Depot, as service must only be performed by a technician qualified and certified for warranty service by Danby. Transportation charges to and from the service location are not protected by this warranty and are the responsibility of the purchaser.

Nothing within this warranty shall imply that Danby will be responsible or liable for any spoilage or damage to food or other contents of this appliance, whether due to any defect of the appliance, or its use, whether proper or improper.

### EXCLUSIONS

Save as herein provided, by Danby, there are no other warranties, conditions, representations or guarantees, express or implied, made or intended by Danby or its authorized distributors and all other warranties, conditions, representations or guarantees, including any warranties, conditions, representations or guarantees under any Sale of Goods Act or like legislation or statute is hereby expressly excluded. Save as herein provided, Danby shall not be responsible for any damages to persons or property, including the unit itself, howsoever caused or any consequential damages arising from the malfunction of the unit and by the purchase of the unit, the purchaser does hereby agree to indemnify and hold harmless Danby from any claim for damages to persons or property caused by the unit.

### GENERAL PROVISIONS

No warranty or insurance herein contained or set out shall apply when damage or repair is caused by any of the following:

- 1) Power failure.
- 2) Damage in transit or when moving the appliance.
- 3) Improper power supply such as low voltage, defective house wiring or inadequate fuses.
- 4) Accident, alteration, abuse or misuse of the appliance such as inadequate air circulation in the room or abnormal operating conditions (extremely high or low room temperature).
- 5) Use for commercial or industrial purposes (ie. If the appliance is not installed in a domestic residence).
- 6) Fire, water damage, theft, war, riot, hostility, acts of God such as hurricanes, floods etc.
- 7) Service calls resulting in customer education.
- 8) Improper Installation (ie. Building-in of a free standing appliance or using an appliance outdoors that is not approved for outdoor application).

Proof of purchase date will be required for warranty claims; so, please retain bills of sale. In the event warranty service is required, present this document to our AUTHORIZED SERVICE DEPOT.

**Warranty Service**  
In-home

Danby Products Limited  
PO Box 1778, Guelph, Ontario, Canada N1H 6Z9  
Telephone: (519) 837-0920 FAX: (519) 837-0449

**1-800-263-2629**  
07/13

Danby Products Inc.  
PO Box 669, Findlay, Ohio, U.S.A. 45840  
Telephone: (419) 425-8627 FAX: (419) 425-8629

# Gracias por elegir Danby

Sabemos que está emocionado. Nosotros lo estamos también! Sin embargo, cuanto más se familiarice con su nuevo aparato, mejor será su experiencia. Por lo tanto le sugerimos de manera especial que lea **este manual de instrucciones antes de conectar su nuevo aparato**. Este manual contiene importante información operacional que le ayudará a hacer un uso completo de las características técnicas disponibles en su aparato Danby. El manual también contiene información diseñada para mejorar la fiabilidad y seguridad operacional de su aparato, así como consejos para el mantenimiento del mismo, lo que le traerá felicidad en los años venideros.

Por favor, visite [www.danby.com](http://www.danby.com) para acceder a herramientas de autoservicio, preguntas frecuentes y más. En caso de necesitar asistencia adicional, por favor llame al 1-800-26-DANBY (1-800-263-2629). Por favor tenga disponible su recibo de compra y número de modelo cuando llame.

**Nota: Esta información será necesaria si su unidad requiere servicio o para hacer consultas generales. Para recibir servicio técnico debe sonstrar el recibo original.**

<b>Número de modelo:</b> _____
<b>Número de serie:</b> _____
<b>Fecha de la compra:</b> _____

## NECESITA AYUDA

Antes de solicitar servicio, hay algunas cosas que puede hacer para ayudarnos a servirle mejor:

**Lea este manual:**

Contiene instrucciones que lo ayudarán a mantener correctamente su unidad.

**Si usted recibe un artefacto dañado:**

Llame inmediatamente al distribuidor (o constructor) que se lo vendió.

**Ahorre tiempo y dinero:**

Lea la sección de Diagnóstico de problemas antes de llamar. Esta sección le ayudará a resolver problemas comunes que pudieran ocurrir.

Si necesita asistencia, no se preocupe y llámenos.

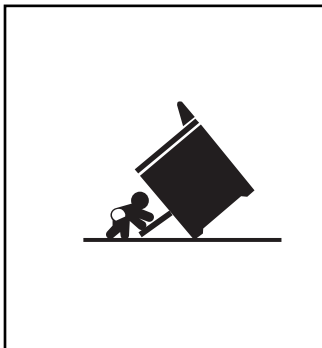




# INFORMACIÓN IMPORTANTE DE SEGURIDAD

## LEA TODAS LAS INSTRUCCIONES ANTES DE SU USO

### DISPOSITIVO ANTI-VOLCADURAS



### ADVERTENCIA

#### Riesgo de Volcaduras

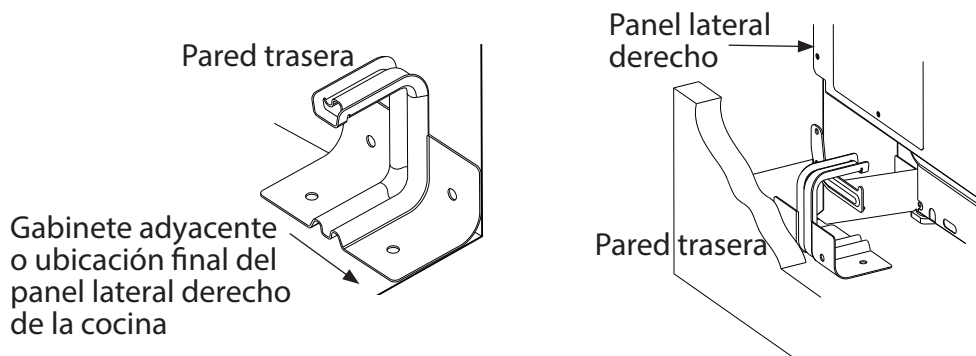
Un niño o adulto pueden volcar la cocina y morir. Verifique que el soporte anti-volcaduras se haya instalado y ajustado correctamente al piso o la pared. Asegúrese de que el soporte anti-volcaduras sea reajustado cuando mueva la estufa deslizando el brazo anti-volcaduras justo debajo del soporte. No utilice la cocina sin que el soporte anti-volcaduras esté colocado y ajustado. Si estas instrucciones no se siguen, como resultado se podrá producir la muerte o quemaduras graves de niños y adultos.

Para reducir el riesgo de volcar la cocina, ésta debe sujetarse mediante un soporte anti-volcaduras con una adecuada instalación. Ver las instrucciones de instalación enviadas con el soporte para obtener detalles completos antes de iniciar la instalación.

#### Para cocinas independientes:

Para revisar si el soporte está instalado y ajustado de forma apropiada, mire que debajo de la cocina, el brazo anti volteo ensamblado en el lateral, este ajustado al soporte. En algunos modelos, el cajón de almacenamiento o el panel de protección se puede retirar para una inspección más fácil. Si no es posible realizar una inspección visual, deslice la cocina hacia adelante, confirme que el soporte anti-volcaduras esté ajustado de forma segura al piso o la pared, y deslice la cocina hacia atrás de modo que el brazo anti volteo se deslice por debajo del soporte anti-volcaduras.

Si la cocina es expulsada de la pared por alguna razón, siempre repita este procedimiento a fin de verificar que esté asegurada de forma correcta con un soporte anti volcaduras.



### NOTIFICACIÓN IMPORTANTE DE SEGURIDAD



### ADVERTENCIA

La ley de California sobre aguas potables y tóxicos exige que el Gobernador de California publique una lista de sustancias que según el estado provoquen cáncer, defectos congénitos u otros daños reproductivos, y exige a las empresas que adviertan a los clientes sobre la exposición potencial a dichas sustancias.

La aislación de fibra de vidrio de los hornos auto-limpiantes emite una pequeña cantidad de monóxido de carbono durante el ciclo de limpieza. La exposición puede minimizarse ventilando con una ventana abierta o usando una campana o ventilador.

**LEA Y SIGA ESTA INFORMACIÓN DE SEGURIDAD CUIDADOSAMENTE  
GUARDE ESTAS INSTRUCCIONES**



# INFORMACIÓN IMPORTANTE DE SEGURIDAD

## LEA TODAS LAS INSTRUCCIONES ANTES DE SU USO



### ADVERTENCIA

#### INSTRUCCIONES GENERALES DE SEGURIDAD

- Use este aparato sólo con el objetivo para el que fue creado, como se describe en este Manual del Propietario.
- Asegúrese de que un técnico calificado realice una correcta instalación y puesta a tierra del artefacto de acuerdo con las instrucciones de instalación provistas.
- No intente reparar o cambiar ninguna pieza de su cocina a menos que esté específicamente recomendado en este manual. Cualquier otro servicio debe realizarlo un técnico calificado.
- Antes de realizar cualquier clase de reparación, desenchufe la cocina o desconecte el suministro eléctrico desde el panel de distribución doméstico quitando el fusible o desconectando el interruptor de circuitos.
- No deje a los niños solos; éstos no deben quedar solos o sin atención en un área donde un aparato esté en uso. Nunca debe permitirse que se suban, sienten o paren en cualquier parte de este aparato.
- PRECAUCION: No almacene elementos de interés para niños sobre una cocina o en la protección trasera de una cocina: los niños que se trepan a la cocina para alcanzar elementos pueden resultar gravemente heridos.
- Sólo use agarraderas secas: las agarraderas húmedas o mojadas colocadas en superficies calientes pueden provocar quemaduras de vapor. Tenga cuidado de no tocar los calentadores con las agarradores. No utilice toallas u otras telas gruesas en lugar de una agarradera.
- Nunca use su electrodoméstico para calentar la habitación.
- No toque las placas de cocción, las zonas próximas a éstas ni los calentadores y las superficies interiores del horno. Estas superficies pueden estar lo suficientemente calientes para quemar aún cuando tengan un color oscuro. Durante y después del uso, no toque o deje que su vestimenta u otros materiales inflamables entren en contacto con las placas de cocción, áreas cercanas a las placas de cocción o cualquier área interior del horno; deje pasar un tiempo prudencial para que se enfríen. Otras superficies del aparato pueden calentarse lo suficiente como para provocar quemaduras. Las superficies potencialmente calientes incluyen la estufa, las áreas orientadas hacia la estufa, la abertura de ventilación del horno, las superficies cercanas a la abertura y las hendiduras ubicadas alrededor de la puerta del horno.
- No caliente recipientes cerrados de alimentos. Podría haber una acumulación de presión en el recipiente y éste podría explotar, provocando lesiones.
- No utilice papel de aluminio para revestir las bandejas colectoras o ninguna parte del horno, con excepción de lo descrito en este manual. Un uso inadecuado puede provocar daños a la cocina y una descarga eléctrica o un riesgo de incendio.
- Trate de no rayar o golpear las puertas, estufas o paneles de control de vidrio. Si lo hace podría romperse el vidrio. No cocine si un producto tiene un vidrio roto. Puede provocarse una descarga, un incendio o heridas.
- Cocine carnes de res y de ave por completo: Las carnes de res hasta alcanzar una temperatura interna de por lo menos 160°F (71°C) y las carnes de ave a una temperatura interna de por lo menos 180°F (82°C). La cocción a estas temperaturas generalmente protege de enfermedades transmitidas por los alimentos.

## LEA Y SIGA ESTA INFORMACIÓN DE SEGURIDAD CUIDADOSAMENTE GUARDE ESTAS INSTRUCCIONES



# INFORMACIÓN IMPORTANTE DE SEGURIDAD

## LEA TODAS LAS INSTRUCCIONES ANTES DE SU USO



### ADVERTENCIA

#### MANTENGA LOS MATERIALES INFLAMABLES ALEJADOS DE LA COCINA

- No almacene o utilice materiales inflamables dentro de un horno o cerca de la estufa, tales como papel, plástico, agarraderas, telas, recubrimientos de pared, cortinas y gasolina u otros vapores y líquidos inflamables.
- Nunca use vestimentas holgadas o amplias mientras utilice el aparato. Estas vestimentas pueden prenderse fuego si entran en contacto con superficies calientes, provocando quemaduras graves.
- No permita que la grasa de la cocción u otros materiales inflamables se acumulen dentro de la cocina o en su cercanía. La grasa dentro del horno o sobre la estufa puede encenderse.
- Limpie las campanas de ventilación con frecuencia. No debe permitirse la acumulación de grasa en la campana o en el filtro.



### ADVERTENCIA

#### EN CASO DE INCENDIO, SIGA LOS SIGUIENTES PASOS PARA EVITAR LA PROPAGACIÓN DEL FUEGO

- No utilice agua en incendios de grasa. Nunca levante una sartén en llamas. Apague los controles. Apague una sartén en llamas sobre una placa de cocción cubriendo la sartén por completo con una tapa que ajuste bien, una plancha para galletas o una bandeja plana. Utilice un extintor de incendios multiuso de químico seco o un extintor de incendios de espuma.
- Si hay un incendio en el horno durante el horneado, apáguelo cerrando la puerta del horno y apagando el control o usando un extintor de incendios multiuso de químico seco o un extintor de incendios de espuma.
- Si hay un incendio en el horno durante la auto-limpieza, apague el horno y espere a que el incendio se consuma. **No abra la puerta del horno a la fuerza.** El ingreso de aire fresco a temperaturas de auto-limpieza puede provocar una explosión de llamas desde el horno. No seguir esta instrucción puede provocar quemaduras graves.



### ADVERTENCIA

#### INSTRUCCIONES DE SEGURIDAD DE LA ESTUFA

- Nunca deje la cocina sin atención mientras una placa de cocción esta en ON (Encendida). Los alimentos que hierven y se derraman pueden provocar humo y derrames grasos que pueden prenderse fuego.
- Nunca deje aceite sin atención mientras fríe. Si se deja calentar más allá del punto de humeo, el aceite puede encenderse, provocando un incendio que podría propagarse a los gabinetes cercanos. Utilice un termómetro para grasa cuando sea posible para controlar la temperatura del aceite.
- Para evitar el derrame de aceite y un incendio, utilice una cantidad mínima de aceite cuando fría en sartenes poco profundas y evite la cocción de alimentos congelados con una cantidad excesiva de hielo.
- Utilice el tamaño de recipiente adecuado: Elija recipientes con bases planas lo suficientemente grandes para cubrir el elemento calentador de superficie. La utilización de recipientes más pequeños dejará expuesta una porción de la placa de cocción al contacto directo, lo que puede provocar el encendido de sus vestimentas. Una relación adecuada del recipiente con la placa de cocción también mejorará la eficiencia.
- Sólo ciertos tipos de recipientes de vidrio, vidrio/cerámico, cerámica, u otros recipientes vidriados pueden utilizarse sobre la estufa; otros pueden romperse debido al cambio repentino de temperatura.
- Para minimizar la posibilidad de quemaduras, el encendido de materiales inflamables y los derrames, la manija de los recipientes deben girarse hacia el centro de la cocina sin extenderse sobre ninguna placa de cocción cercana.

## LEA Y SIGA ESTA INFORMACIÓN DE SEGURIDAD CUIDADOSAMENTE GUARDE ESTAS INSTRUCCIONES



# INFORMACIÓN IMPORTANTE DE SEGURIDAD

## LEA TODAS LAS INSTRUCCIONES ANTES DE SU USO

### ADVERTENCIA

#### INSTRUCCIONES DE SEGURIDAD DE LA ESTUFA

- Si flambea alimentos bajo la campana, encienda el ventilador.
- Si se corta la corriente de una estufa eléctrica mientras una placa de cocción está en ON (Encendida), la unidad de superficie volverá a ON (Encendida) tan pronto como se recupere la electricidad. En caso de pérdida de corriente, no colocar las perillas de placas de cocción en OFF (Apagado) podrá producir el incendio de los artículos que estén en o cerca de la estufa, y ocasionar lesiones graves o la muerte.

### ADVERTENCIA

#### INSTRUCCIONES DE SEGURIDAD DE LA ESTUFA RADIANTE (algunas modelos)

- Tenga cuidado al tocar la estufa. La superficie de vidrio de la estufa retendrá calor después de que los controles se hayan apagado.
- No cocine sobre una estufa rota. Si la estufa se rompe, las soluciones de limpieza y los derrames pueden penetrar en la estufa rota y crear un riesgo de descarga eléctrica. Comuníquese con un técnico calificado de inmediato.
- Evite rayar la estufa de vidrio. La estufa puede rayarse con elementos tales como cuchillos, instrumentos filosos, anillos u otras joyas, y remaches de la ropa.
- No coloque o almacene elementos que pueden derretirse o prenderse fuego sobre la estufa de vidrio, aún cuando no la esté usando. Si la estufa se enciende en forma accidental, pueden prenderse fuego. El calor proveniente de la estufa o de la ventilación del horno también puede prenderlos fuego, aún si el aparato está apagado.
- Use un limpiador de estufas cerámicas y una esponjilla de limpieza de estufas cerámicas para limpiar la estufa. Espere hasta que la estufa se enfríe y la luz indicadora se apague antes de limpiar. Una esponja o un paño húmedos sobre un superficie caliente pueden producir humos tóxicos si se los aplica a una superficie caliente. **NOTA:** Los derrames de azúcar son la excepción. Éstos deben quitarse mientras están calientes utilizando una agarradera y un raspador. Para instrucciones detalladas, ver la sección Cómo limpiar la estufa de vidrio.
- Lea y cumpla con todas las instrucciones y advertencias de la etiqueta de la crema de limpieza.

### ADVERTENCIA

#### INSTRUCCIONES DE SEGURIDAD DE LA ESTUFA DE BOBINAS (algunas modelos)

- No smerja o remoje las hornillas de superficie desmontables. No las coloque en el lavavajillas. No coloque las hornillas de superficie dentro del horno cuando realice la auto-limpieza. Si lo hace pueden llegar a fallar, provocando un peligro de quemaduras o de incendio.
- Para evitar la posibilidad de una quemadura o descarga eléctrica, siempre verifique que los controles de todas las hornillas de superficie se encuentren en la posición OFF (apagado) y que todas las bobinas estén frías antes de levantar o quitar una hornilla de bobinas.
- Asegúrese de que las bandejas colectoras no estén cubiertas y se encuentren en su lugar. Su ausencia durante la cocción podría dañar las piezas y el cableado de la cocina.
- No utilice papel de aluminio para revestir las bandejas colectoras. El papel de aluminio puede atrapar o reflejar el calor, provocando una descarga eléctrica o un peligro de incendio.

**LEA Y SIGA ESTA INFORMACIÓN DE SEGURIDAD CUIDADOSAMENTE  
GUARDE ESTAS INSTRUCCIONES**





# INFORMACIÓN IMPORTANTE DE SEGURIDAD

## LEA TODAS LAS INSTRUCCIONES ANTES DE SU USO

### ADVERTENCIA

#### INSTRUCCIONES DE SEGURIDAD DEL HORNO

- Manténgase alejado de la cocina cuando abra la puerta del horno. El aire y el vapor calientes que salen de la cocina pueden provocar quemaduras en manos, rostro y/o ojos.
- Mantenga sin obstrucciones la ventilación del horno.
- Mantenga el horno libre de acumulaciones de grasa. La grasa dentro del horno puede prenderse fuego.
- Siempre coloque las bandejas del horno en la posición deseada mientras el horno esté frío. Si la bandeja debe quitarse cuando el horno todavía está caliente, no permita que la agarradera toque el elemento calentador del horno.
- Cuando utilice bolsas de cocción o de asado en el horno, siga las instrucciones del fabricante.
- Tire de la bandeja del horno hasta la posición de tope de detención cuando cargue o descargue alimentos del horno. Esto ayuda a evitar quemaduras por tocar superficies calientes de la puerta y las paredes de horno.
- No deje productos como papel, utensilios de cocina o alimentos en el horno cuando no lo esté usando. Los elementos guardados en el horno pueden prenderse fuego.
- No utilice papel de aluminio para revestir el piso del horno. El papel de aluminio puede atrapar o reflejar el calor, provocando una descarga eléctrica o un peligro de incendio.

### ADVERTENCIA

#### CAJÓN CALENTADOR/ CAJÓN DEL HORNO INFERIOR INSTRUCCIONES DE SEGURIDAD (algunos modelos)

- El objetivo del cajón calentador es mantener alimentos cocidos calientes a la temperatura de servicio. Por debajo de los 140 °F (60°C) puede producirse crecimiento de bacterias en los alimentos. No coloque alimentos fríos en el cajón calentador. No caliente alimentos por más de 2 horas. No seguir estas instrucciones puede provocar enfermedades transmitidas por los alimentos.
- No deje productos de papel, plásticos, comida enlatada o materiales combustibles en el cajón. Pueden prenderse fuego.
- No toque el elemento calentador o la superficie interna del cajón. Estas superficies pueden estar lo suficientemente calientes como para provocar quemaduras.
- Tenga cuidado al abrir el cajón. Abra un poco el cajón y deje salir el aire caliente y el vapor antes de quitar o volver a colocar los alimentos. El aire y el vapor calientes que salen pueden provocar quemaduras en manos, rostro y/u ojos.
- No utilice papel de aluminio para revestir el cajón calentador. El papel metálico es un excelente aislante de calor y atraparé el calor debajo de él. Esto alterará el desempeño del cajón y potencialmente podría provocar un riesgo de incendio.

## LEA Y SIGA ESTA INFORMACIÓN DE SEGURIDAD CUIDADOSAMENTE GUARDE ESTAS INSTRUCCIONES

# OPERACIÓN

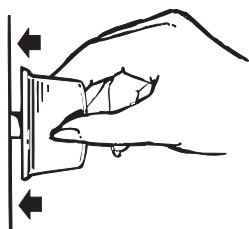
## COMO USAR LOS QUEMADORES SUPERIORES

A lo largo de este manual, las características y la apariencia pueden variar de su modelo.

### CONTROL DE LOS QUEMADORES SUPERIORES

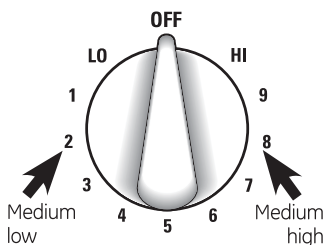
- Los quemadores superiores y las perillas para controlarlos están diseñados para darle una variedad de rangos de temperatura para cocinar.
- En ambas posiciones LO y HI, usted escuchará un pequeño sonido “clic”. HI representa la máxima temperatura alcanzada; LO representa la mínima temperatura.
- En una cocina con un funcionamiento tranquilo, es posible que escuche un ligero chasquido que indique que las temperaturas seleccionadas se están manteniendo.
- Cambiar la temperatura a una más alta siempre se mostrará más rápido que al cambiarla a una más baja.

### CÓMO USAR LAS PERILLAS



1. Empuje la perilla de control hacia adentro.
  2. Gire, ya sea a la derecha o a la izquierda, hasta la posición deseada de calor.
- Se debe empujar la perilla hacia adentro sólo para cambiar de la posición “OFF”
  - Cuando la perilla esté en cualquier otra posición que no sea “OFF”, Ud. puede darle vuelta sin empujarla hacia adentro.
  - Asegúrese de poner la perilla en la posición de “OFF” (apagado) cuando termine de cocinar. Un indicador con luz brillará cuando cualquier unidad esté encendida.

### GUÍA PARA TEMPERATURAS



- HI - Alto; Comienzo rápido de cocción; lleva el agua a su punto de ebullición.
- MEDIO ALTO (Medium high) - Freído rápido, asado en sartén; mantiene cantidades grandes de alimentos en ebullición rápida.
- MEDIO - Acitronar y dorar; mantiene cantidades grandes de alimentos en ebullición lenta.
- MEDIO BAJO (Medium low) - Cereal; mantiene a los alimentos a temperaturas adecuadas para ser servidos.
- LO - Cocina después de empezar en HI; cocina con poca agua en sartén tapado. Use para cocinar arroz al vapor.

#### NOTA:

1. En ALTO ó en MEDIO ALTO, nunca deje a los alimentos sin atender. Los derrames de líquidos causan humo; los derrames de grasa pueden provocar incendios.
2. En LO, derrita chocolate o mantequilla en un traste pequeño.

### CONSEJOS DE COCCIÓN

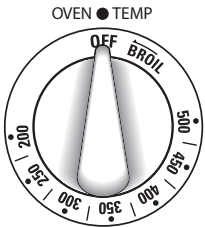
- Use trastes pesados o medianamente pesados. Los utensilios de aluminio conducen calos más rápido que otros metales. Utensilios de acero fundido o peltre son lentos para absorber calor pero cocinan uniformemente a temperaturas bajas o medias. Las ollas de acero pueden cocinar irregularmente si no contienen aleaciones de otros metales.
- No sature las ollas con grasa, ya que esto puede causar derrames cuando añada alimentos. Los alimentos congelados espuman vigorosamente. Cuide los alimentos que frían a altas temperaturas. Mantenga la estufa y la campana aseados y sin grasa acumulada.
- Para conservar energía, las ollas deben de contar con fondo plano, paredes rectas, y tapas ajustadas. Trate de que el tamaño de su batería se ajuste al tamaño de sus quemadores. Una olla cuyos bordes sobresalen por más de una pulgada los bordes de las charolas del serpentín, atrapa calor, lo que causa la aparición de grietas finas en la porcelana, y decoloración de un tono de azul a gris oscuro en las charolas de cromo del serpentín.

# OPERACIÓN

## USANDO EL HORNO

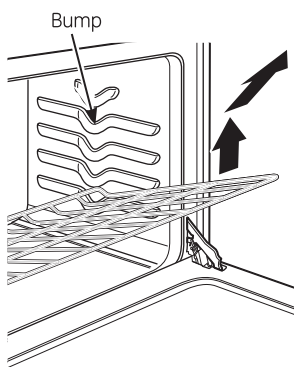
La perilla de temperatura del horno se localiza en el panel de control en el frente de la estufa.

### PERILLA DE TEMPERATURA DEL HORNO



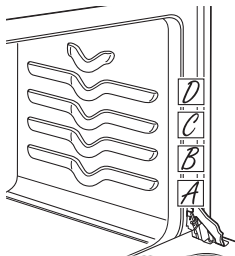
- Gire esta perilla a la configuración deseada.
- La luz indicadora de horno encendido parpadeará hasta que el horno alcance la temperatura deseada, después enciende y apaga junto con las resistencias del horno mientras hornea.

### ANTES DE COMENZAR



- Para evitar posibles quemaduras, coloque las parrillas en la posición deseada antes de encender el horno.
- Cuando están bien colocadas sobre los soportes de parrillas, las parrillas tienen seguros para evitar que salgan por completo del horno y se inclinen.
- Cuando coloque y retire trastes, jale la parrilla hasta que toque el tope de los soportes.
- **Para retirar una parrilla**, jale hacia usted, incline el borde delantero y sáquela del horno.
- **Para reemplazar**, coloque el borde de la parrilla que tiene los seguros en el soporte, incline hacia arriba y empuje hasta que entre por completo al horno.

### POSICIONES DE LAS PARRILLAS DEL HORNO



- El horno tiene cuatro soportes para la parrilla - A (abajo), B, C, y D (parte superior).

El horno tiene 4 posiciones para las parrillas.

### PAPEL DE ALUMINIO

- No use papel de aluminio para cubrir el fondo del horno. El aluminio atraparé el calor en la parte inferior y alterará el funcionamiento del horno. El aluminio se puede derretir y dañar de forma permanente el fondo del horno. Cualquier daño por uso inadecuado del aluminio no estará cubierto por la garantía del producto.
- El aluminio se puede usar para retener derrames, colocando una hoja en el estante inferior, varias pulgadas por debajo de la comida. No use más aluminio que el necesario y nunca cubra totalmente un estante del horno con papel de aluminio. Mantenga el aluminio por lo menos a una pulgada y media de las paredes del horno para evitar una mala circulación del calor.

# OPERACIÓN

## USANDO EL HORNO PARA ASAR Y HORNEAR

Para evitar posibles quemaduras, coloque las parrillas en la posición deseada antes de encender el horno.

### COMO PREPARAR SU HORNO PARA HORNEAR O ASAR

1. Coloque la parrilla o parrillas en el horno. Si cocina en dos parrillas al mismo tiempo, escalone los recipientes para una mejor circulación del calor.
2. Cierre la puerta del horno. Gire la perilla OVEN TEMP en el sentido de las manecillas del reloj a la temperatura deseada. Precaliente el horno al menos 10 minutos si es necesario.
3. Coloque la comida en el centro de la parrilla. Deje al menos 2 pulgadas (5 cm) entre el borde del recipiente u las paredes adyacentes del horno.
4. Revise la cocción de la comida al tiempo mínimo de la receta. Cocine más tiempo si es necesario. Gire la perilla OVEN TEMP a OFF y remueva la comida.

### POSICIONES DE LAS PARRILLAS

- La mayoría de los horneados se realizan en la segunda posición de la parrilla (B) o en la tercera posición (C) del piso.
- Cuando hornee tres o cuatro artículos, use dos parrillas colocándolas en la segunda y cuarta posición del piso de horno (B y D).
- Hornee los pasteles ángel en la primera posición de la parrilla (A) del piso de horno.
- Asar se realiza usualmente en la posición (A) del horno.

### PRECALENTAMIENTO

- Precalentar el horno toma cerca de 10 minutos.
- Precaliente el horno solamente cuando sea necesario usualmente para hornear.
- La mayoría de asados se cocinarán satisfactoriamente sin precalentamiento.
- Si considera necesario el precalentamiento, observe la luz indicadora del ciclo de horno, coloque la comida tan pronto como la luz de horno se apague. La luz indicadora de horno encenderá y se apagará con el ciclo del termostato, este ciclo para mantener la temperatura del horno.

### TIPS DE ASADO Y HORNEADO

- Siga una receta probada y mida los ingredientes con cuidado. Si está usando una mezcla en paquete, siga las instrucciones de la etiqueta.
- No abra la puerta de horno durante la operación de horneado - el calor se perderá y el tiempo de hornado puede excederse. Esto puede causar como resultado un horneado pobre. Si debe abrir la puerta del horno, ábrala parcialmente solo 3 o 4 pulgadas (7 a 10 cm) - y cierre la puerta tan pronto como sea posible.
- Asar es cocinar con calor seco. Carne de ternera o de aves puede ser asada al descubierto en su horno. Las temperaturas de asado, las cuales deben ser bajas y estables, mantendrán al mínimo las salpicaduras. Durante el asado no es necesario dorar, rociar, cubrir, o agregar agua a su carne.
- Asados congelados de carne de res, cerdo, cordero, etc. se pueden iniciar sin descongelar, pero permitir de 10 a 25 minutos por libra de tiempo adicional. (10 minutos para asados de menos de 5 libras, más tiempo para asados más grandes).
- Descongele las aves más congeladas antes de asar para asegurar el punto de cocción. Algunas aves congeladas comerciales pueden ser cocinadas con éxito sin descongelar. Siga las instrucciones mostradas en la etiqueta del paquete.

# OPERACIÓN

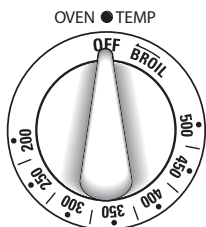
## AJUSTANDO EL TERMOSTATO DE HORNO - HAGALO USTED!

Puede darse cuenta que su nuevo horno cocina diferente al que fue reemplazado. Use el nuevo horno por algunas semanas para familiarizarse con él. Si aun cree que su nuevo horno es demasiado caliente o demasiado frio, usted puede ajustar el termostato.

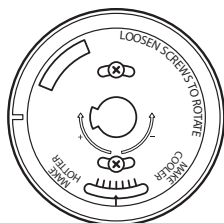
No use termómetros, tales como los que puede encontrar en las tiendas para revisar la temperatura programada de su horno. Estos termómetros pueden variar de 20° a 40°F.

**Nota:** Este ajuste no afectara las temperaturas de asado. El ajuste se mantendra después de una falla en el suministro de energía.

### PARA AJUSTAR EL TERMOSTATO CON ESTE TIPO DE PERILLA



Frente de la perilla de horno  
(la apariencia puede variar)



Respaldo de la perilla de horno

1. **Jale la perilla OVEN TEMP fuera de la estufa y mire la parte posterior.** Para hacer el ajuste, afloje (aproximadamente una vuelta), pero no retire completamente los tornillos en la parte posterior de la perilla.
2. Con el respaldo de la perilla mirando hacia usted, sostenga el babero de la perilla con una mano y gire el frente de la perilla con la otra.

Para incrementar la temperatura del horno, mueva el tornillo superior hacia la derecha. Escuchara un clic en cada muesca que mueva la perilla.

Para disminuir la temperatura, mueva el tornillo superior hacia la izquierda.

Cada clic cambiara la temperatura del horno aproximadamente 10 °F (el rango es mas menos 60°F desde la flecha). Sugerimos que haga el ajuste solo un clic del ajuste original y revise el desempeño del horno antes de hacer ajustes adicionales.

3. **Después de que realizo el ajuste,** apriete los tornillos de tal manera que queden ajustados, pero con cuidado para no apretar demasiado.
4. Reemplace la perilla, haciendo coincidir el área plana de la perilla con el vástago, y revise el desempeño.

### CIERTO TIPO DE MARGARINA PUEDE AFECTAR EL DESEMPEÑO DE HORNEADO!

- **La mayoría de las recetas han sido desarrolladas usando grandes cantidades de ingredientes con alto contenido de grasas tales como mantequilla o margarina (80% grasa). Si reduce la cantidad de grasa, podrá obtener resultados distintos a los que obtendría usando una mayor cantidad de grasa.**
- Podría haber fallas en su receta si prepara pasteles, galletas o dulces con pasta bajas en grasa. A menor cantidad de grasa, mayores las discrepancias en su receta.
- Los estándares federales requieren que los productos etiquetados como margarina contengan un mínimo de 80% grasa por peso. Los productos bajos en grasa contienen más agua y menos grasa. La humedad de estos productos afecta la textura y el sabor de los alimentos horneados. Para mejores resultados con sus recetas antiguas, use margarina, mantequilla o productos que contengan un mínimo de 70% de grasa vegetal.

# OPERACIÓN

## USANDO EL HORNO PARA ASAR

Asar a la parrilla puede ser ligeramente diferente de cualquier asado a la parrilla con el que este familiarizado, asegúrese de leer esta sección completa.

### *PARA AJUSTAR EL HORNO PARA ASAR*

Asar es cocinar la comida con una radiación intensa de calor de la resistencia superior del horno. La mayoría de pescados y cortes de carne blandos pueden ser asados. Siga estos pasos para mantener las salpicaduras y humo al mínimo.

1. Si la carne tiene grasa o cartílago alrededor del borde, haga cortes verticales con 2" de separación, se desea, recorte la grasa dejando una capa de aproximadamente 1/8" de espesor.
2. Coloque la carne en una charola y tapa asador diseñados para asar. Siempre use la rejilla para que la grasa caiga dentro de la charola, de otra forma los jugos pueden calentarse hasta incendiarse.
3. Coloque la parrilla en la posición C para la mayoría de los asados.
4. Cierre la puerta, **siempre ase con la puerta cerrada.**
5. Gira la perilla del horno **OVEN TEMP** en el sentido de las manecillas del reloj a **BROIL**. Sentira un nicho en la posición de **BROIL** (asar).
6. Gire la comida solo una vez durante el cocinado.
7. Gire la perilla de **OVEN TEMP** a **OFF** (apagado). Sirva la comida inmediatamente, y deje la charola fuera del horno durante la comida para una limpieza mas fácil.

### *GUIA DE ASADO*

- Si desea marine la carne o el pollo antes de asar, o agregue salsas barbecue los últimos 5 a 10 minutos solamente.
- Los filetes se pueden asar colcandolos una posición abajo en el horno e incrementando el tiempo de cocinado dado en esta tabla por 1.5 veces.
- Cuando acomode la parrilla en la charola, no permita que los bordes grasos cuelguen en los lados debido a que el goteo de grasa ensuciara el horno.
- Si su estufa está conectada a 208 voltios, carnes jugosas pueden ser asadas precalentando el asador y colocando la parrilla una posición más alta.

# OPERACIÓN

## GUIA DE ASADO

Comida	Cantidad o espesar	Posición	Tiempo en minutos		Comentarios
			Primer lado	Segundo lado	
Tocino	230 grms. (cerca de 8 rebanadas delgadas)	C	3½ min.	3½ min.	Acomodelos en una sola capa.
Carne molida	450 grms. (4 empanadas) De 1 a 2.5 cms de espesar	C	10 min.	7 min.	Coloquelos espaciados.
Filete de res (medio)	2.5 cms de espesar De 450 a 575 grms	C	9 min.	9 min.	Filetes de menos de 1" de espesor se cocinara antes de dorarse. Una sartén es recomendada. Corte la grasa.
Pollo	1 completo De 900 a 1,350 grms Haga un corte a lo largo	A	35 min.	15 min.	Reduzca el tiempo cerca 5 a 10 minutos pos lado cortando el pollo. Agregue mantequilla derretida con una brocha, en cada lado. Ase primero el lado sin piel.
Pescado	450 grms de filete De 0.5 a 1 cms de espesor	C	5 min.	5 min.	Maneje y voltee con cuidado. Agregue mantequilla de limon con una brocha antes y durante el cocinado. Si desea precaliente el asador para incrementar el dorado.

## CUIDADO Y MANTENIMIENTO

Asegúrese de que la corriente eléctrica este apagada y todas las superficies estén frías antes de limpiar cualquier parte de la estufa.

El cuidado y limpieza apropiados son importantes para que su estufa le proporcione un servicio eficiente y satisfactorio. Siga estas instrucciones cuidadosamente para el cuidado de su estufa para asegurar un mantenimiento apropiado y seguro.



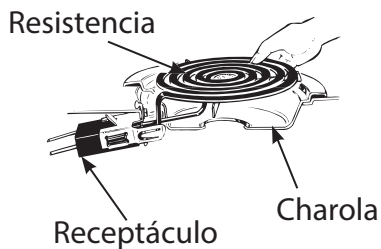
### ADVERTENCIA

#### Riesgo de Volcaduras

Un niño o adulto pueden volcar la cocina y morir. Verifique que el soporte anti-volcaduras se haya instalado y ajustado correctamente al piso o la pared. Asegúrese de que el soporte anti-volcaduras sea reajustado cuando mueva la estufa deslizando el brazo anti-volcaduras justo debajo del soporte. No utilice la cocina sin que el soporte anti-volcaduras esté colocado y ajustado. Si estas instrucciones no se siguen, como resultado se podrá producir la muerte o quemaduras graves de niños y adultos.

# CUIDADO Y MANTENIMIENTO

## QUEMADORES SUPERIORES Y CHAROLAS



Para remover la resistencia, levántela cerca de 1" sobre la charola y júela hacia afuera.



Reemplace la charola en el hueco de la cubierta.

Para limpiar los quemadores superiores, gire el control hasta el punto mas alto por un minuto, las resistencias quemaran cualquier mancha.

### **Para remover un quemador superior:**

- Para remover las charolas para limpieza, primero deben ser removidos las resistencias. Asegúrese de que las resistencias estén frías antes de tocarlas.
- Levante la resistencia cerca de 1" sobre la charola y júela hacia afuera.
- No levante la resistencia más de 1". Si usted lo hace puede ser que la resistencia no se quede plana cuando la coloque nuevamente.
- **NOTA:** Levantar repetidamente la resistencia más de 1" por encima de la charola puede dañar permanentemente el receptáculo.

### **Para reemplazar el quemador superior:**

- Reemplace la charola dentro del hueco de la cubierta. Asegúrese de alinear la abertura de la charola con el receptáculo.
- Inserte las terminales de la resistencia en el receptáculo a través de la abertura de la charola.
- Guíe la resistencia en su lugar de tal manera que descance uniformemente.

### **Para limpiar las charolas**

- Las charolas pueden limpiarse en el lavavajillas o a mano, si usted usa un estropajo, frote suavemente para evitar rayaduras.
- **Q: Puedo cubrir las charolas con papel aluminio?**
- **A: No, porque usar papel aluminio cerca del receptáculo puede causar un corto circuito, fuego o daño a la estufa.**

### **PRECAUCIÓN**

- No sumerja las resistencias en líquidos de cualquier tipo.
- No limpie las resistencias en el lavavajillas.
- No doble las terminales de las resistencias.
- No intente limpiar, ajustar o reparar el receptáculo.

## CUBIERTA PORCELANIZADA

El acabado de esmalte de porcelana es robusto pero quebradizo si es mal usado. Este acabado es resistente al ácido. Sin embargo, algunos derrames de alimentos ácidos (tales como jugos de frutas, jitomate o vinagre) no deben permanecer en la cubierta.

## PARRILLAS DE HORNO

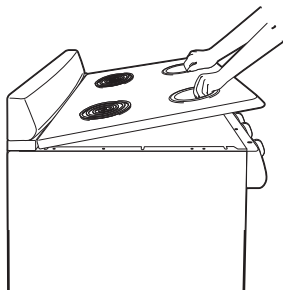


Limpie las parrillas con un limpiador abrasivo o con una fibra. Después de la limpieza, enjuague las parrillas con agua limpia y seque con un paño seco.



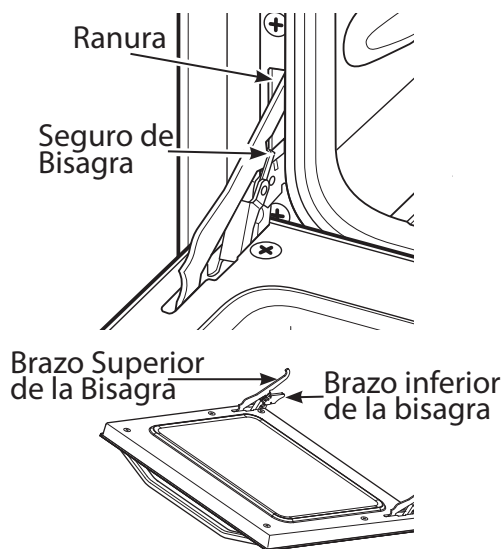
# CUIDADO Y MANTENIMIENTO

## CUBIERTA ABATIBLE



- Limpie el área debajo de la cubierta con regularidad. La suciedad acumulada, en especial la grasa, puede incendiarse.
- Para facilitar el aseo, la cubierta puede levantarse y abrirse.
- Asegúrese de que las resistencias eléctricas estén apagadas antes de levantar la cubierta.
- Retire las resistencias eléctricas y las charolas frontales. Vea la sección Quemadores Superiores y Charolas. Tome la cubierta por los dos agujeros frontales al remover las charolas y levántela, manténgala en esta posición con ayuda de la varilla.
- Después de limpiar con agua jabonosa caliente y un trapo, detenga la cubierta, regrese la varilla a su posición de guardado y baje la cubierta hasta que quede en posición. Tenga cuidado de no pellizcarse los dedos. Coloque nuevamente las dos charolas frontales y las resistencias eléctricas. Vea la sección Quemadores Superiores y Charolas.

## PUERTA REMOVIBLE



La puerta del horno es removible, pero pesada. Puede necesitar ayuda para remover y reemplazar la puerta.

### **Para remover la puerta:**

1. Abra la puerta completamente.
2. Jale los seguros de las bisagras por encima de los ganchos de bisagra en ambos lados.
3. Detenga la puerta firmemente por ambos lados, levante ligeramente y jale hacia usted.

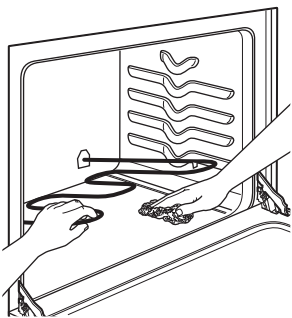
### **Para volver a colocar la puerta:**

1. Detenga la puerta firmemente por ambos lados.
2. Inserte y acomode los brazos superiores e inferiores de las bisagras en las ranuras del horno.
3. Empuje los seguros de las bisagras hacia abajo de los ganchos de bisagra.
4. Cierre la puerta del horno y asegúrese de que funciona sin problemas. Si no funciona apropiadamente, retire la puerta y vuelva a colocarla siguiendo los pasos anteriores.

**NO INTENTE CERRAR LA PUERTA HASTA QUE ESTE PASO ESTÉ COMPLETADO. DE OTRA MANERA, LA PUERTA O LAS BISAGRAS PODRÍAN RESULTAR DAÑADOS.**

# CUIDADO Y MANTENIMIENTO

## RESISTENCIAS DEL HORNO



- No limpie las resistencias de hornear o asar. Cualquier suciedad será quemada cuando las resistencias se calienten.
- La resistencia de hornear puede ser levantada delicadamente para asear el piso del horno. No intente limpiar ninguna superficie del horno cuando cualquier resistencia se encuentre encendida. Siempre use protección en las manos cuando asee superficies internas del horno o superficies que queden cerca de las resistencias eléctricas. Si llegan a acumularse residuos, cenizas o derrames alrededor de la resistencia para hornear, limpie alrededor de este cuidadosamente con agua tibia.

## VENTANA DE VIDRIO (en algunos modelos)

- Para limpiar el acabado exterior del vidrio, use un limpiador de vidrios. Enjuague y saque brillo con un paño seco. Trate de no rayar o golpear la ventana de vidrio. Si lo hace podría romperse el vidrio.

## PERILLAS DE CONTROL

- Para una limpieza más sencilla, las perillas de control pueden quitarse.
- Verifique que las perillas estén en la posición **OFF** (apagado) y sáquelas de los vástagos para la limpieza.
- Las perillas pueden limpiarse en el lavavajillas o también pueden lavarse con jabón y agua. Asegúrese de que la parte interna de las perillas esté seca antes de volver a colocarse.
- Vuelva a colocar las perillas en la posición **OFF** (apagado) para asegurar una colocación correcta.

## SUPERFICIES PINTADAS

- Las superficies pintadas incluyen los lados de la cocina y la puerta, la parte superior del panel de control y el frente del cajón. Límpielas con jabón y agua o con una solución de agua y vinagre.
- No utilice limpiadores de horno comerciales, polvos limpiadores, esponjillas de acero o abrasivos potentes sobre cualquier superficie pintada.

## INTERIOR DEL HORNO DE PORCELANA

- Con el cuidado apropiado, el acabado de esmalte de la porcelana en el interior de horno - parte superior, inferior, costados, parte trasera e interior de la puerta - permanecerá con un aspecto nuevo por años.
- Espere a que el horno se enfríe antes de limpiar. Le recomendamos que use guantes de goma al limpiar el horno.
- El jabón y agua normalmente harán el trabajo. Las salpicaduras y los derrames importantes podrán requerir que la limpieza se realice con un limpiador suave y abrasivo. También se pueden usar estropajos con jabón.
- No permita que los derrames de comida con alto contenido de azúcar o ácido (tal como tomates, chucrut, jugos de fruta o rellenos de tartas) permanezcan en la superficie.
- El amoníaco hogareño puede facilitar el trabajo de la limpieza. Coloque 1/2 taza en un vaso de vidrio o envase de cerámica en un horno frío durante la noche. Los gases del amoníaco ayudarán a aflojar la grasa y la comida quemada.

# CUIDADO Y MANTENIMIENTO

## INTERIOR DEL HORNO DE PORCELANA (Continuación)

De ser necesario, puede usar un limpiador para horno. Siga las instrucciones del paquete.

- No rocíe con un limpiador de horno sobre los controles y enchufes eléctricos, ya que esto podría ocasionar un cortocircuito y producir un incendio.
- No rocíe limpiador directamente sobre los quemadores de horno.
- Evite que una capa del limpiador se acumule en el sensor de temperatura - podría hacer que el horno caliente de forma inadecuada. (El sensor está ubicado en la parte superior de horno). Con cuidado, limpie el sensor luego de cada limpieza del horno, teniendo cuidado de no mover el sensor, ya que un cambio de posición podría afectar la forma de hornear del horno.
- No rocíe ningún limpiador para horno sobre la puerta, manijas o cualquier superficie exterior del horno, gabinetes o superficie pintada. El limpiador puede dañar estas superficies.

## REEMPLAZO DE LA LUZ DEL HORNO (en algunos modelos)

### ADVERTENCIA

### RIESGO DE DESCARGA ELÉCTRICA O INCENDIO

*Antes de reemplazar la lámpara de luz del horno, desconecte la conexión eléctrica del horno del fusible principal o del panel del disyuntor. Si esto no se cumple, se podrá producir una descarga eléctrica o incendio. Asegúrese de dejar que la tapa de la luz y la lámpara se enfríen completamente.*

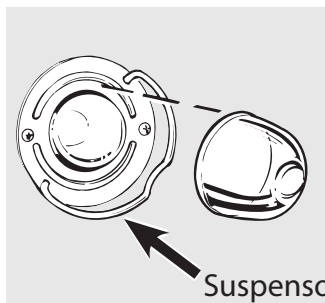
La lámpara de luz del horno está cubierta por una tapa de vidrio extraíble que es sostenida por un cable que la cruza. Retire la puerta del horno, si lo desea, para llegar a la tapa fácilmente.

#### **Para retirar la tapa:**

1. Sostenga una mano debajo de la tapa de modo que no se caiga al ser liberada. Con los dedos en la misma mano, empuje firmemente el suspensor de la tapa del cable. Levante la tapa. **No retire ningún tornillo para retirar la tapa.**
2. No toque la lámpara caliente con una tela húmeda. Reemplace la lámpara por una para electrodomésticos hogareños de 40 watts.

#### **Para reemplazar la tapa:**

1. Coloque la misma ranura del receptáculo de la luz. Empuje el cable hacia adelante hasta el centro de la tapa, hasta que entre en el lugar correcto. Una vez en su lugar, el cable sostiene la tapa firmemente. Asegúrese de que el cable se encuentre en la hendidura que está en el centro de la tapa.
2. Conecte el cable de electricidad a la cocina.



Suspensor de la tapa del cable

# INSTRUCCIONES DE INSTALACIÓN

## ANTES DE COMENZAR

Lea estas instrucciones cuidadosamente.

**IMPORTANTE** - Guarde estas instrucciones para que puedan ser usadas por el inspector local.

**IMPORTANTE** - Cumpla con todos los códigos gubernamentales y ordenanzas.

**Nota para el técnico** - Asegúrese de dejar estas instrucciones en el poder del consumidor.

**Nota para el consumidor** - Guarde estas instrucciones como referencia.

**Nivel de capacidad** - La instalación de este aparato requiere capacidades mecánicas básicas.

**Tiempo de instalación** - 1 a 3 horas.

La instalación apropiada de este aparato es responsa

Las fallas en el aparato que sean causadas por su instalación inapropiada no están cubiertas por la garantía.



### ADVERTENCIA

**ESTE APARATO DEBE DE SER CONECTADO A TIERRA APROPIADAMENTE**



### ADVERTENCIA

### PARA SU SEGURIDAD:

Antes de comenzar la instalación, apague el interruptor de alimentación en el panel de control y bloquee el panel para evitar que el interruptor sea activado por accidente. Si el panel de servicio no se puede bloquear asegure firmemente una forma de advertencia que llame la atención, como una etiqueta en el panel de control.

### PARA SU SEGURIDAD:

- Todas las dimensiones de espacio y aproximadas se deben cumplir para el uso seguro de su cocina. La electricidad de su cocina puede ser desconectada del contacto sin mover la cocina si el contacto está instalado en la ubicación recomendada (quite el cajón inferior).
- Para reducir el riesgo de quemaduras o incendios cuando se extienda el brazo sobre superficies calientes, evite almacenar objetos o alimentos por encima de la cubierta. Si se van a almacenar objetos por encima de la cubierta, el riesgo puede ser reducido instalando una campana para el aparato que sobresalga al menos 5" del borde frontal de las alacenas. Las alacenas que sean instaladas por encima del aparato no deben exceder las 13" de profundidad.
- Asegúrese de que su aparato esté instalado correctamente y conectado a tierra por un técnico calificado.
- Asegúrese de que las alacenas y las cubiertas de las paredes que se encuentren en las cercanías del aparato resistan las temperaturas (hasta 200°F) generadas por el aparato.

### MECANISMO PARA EVITAR LA INCLINACIÓN DEL APARATO



### ADVERTENCIA

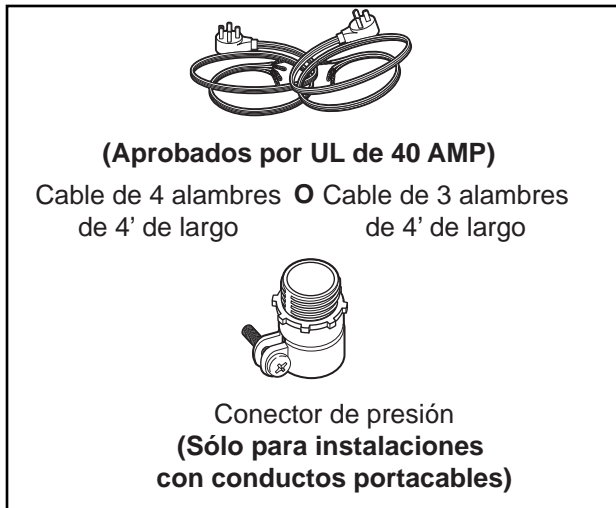
#### Riesgo de Volcaduras

- Un niño o adulto pueden volcar la cocina y morir.
- Instale el soporte anti-volcaduras sobre la pared o el piso.
- Asegure la estufa al soporte anti-volcaduras deslizando la estufa de vuelta de tal manera que el brazo anti-volcaduras se deslice por debajo del soporte anti-volcaduras.
- No utilice la cocina sin que el soporte anti-volcaduras esté colocado y ajustado.
- Si estas instrucciones no se siguen, como resultado se podrá producir la muerte o quemaduras graves de niños y adultos.

# INSTRUCCIONES DE INSTALACIÓN

## PREPÁRESE PARA INSTALAR EL APARATO

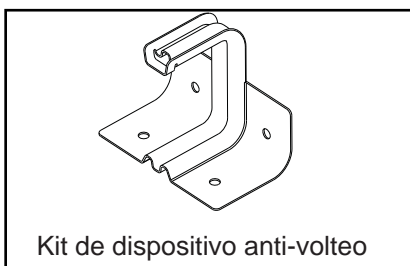
### MATERIALES QUE PUEDE NECESITAR



### HERRAMIENTAS QUE NECESITARÁ



### PARTES INCLUIDAS

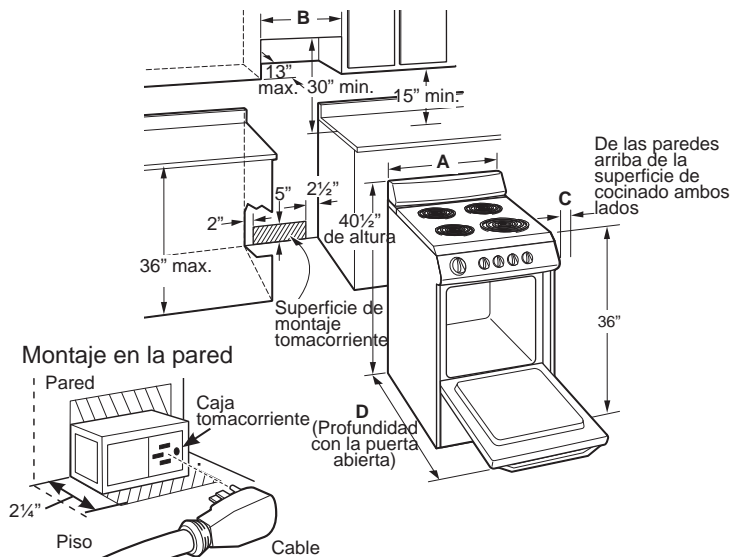


### (1) RETIRE LOS MATERIALES DE EMPAQUE

Retire los materiales de empaque. El no remover los materiales en los que viene empacado el aparato podría resultar en daños al aparato.

### (2) PREPARE LA APERTURA

- Permita 2" de espacio entre el aparato y paredes adyacentes por encima de la superficie de la cubierta. Permita 30" de espacio mínimo entre las unidades de superficie (quemadores) y el fondo de la alacena de madera o metal, y 18" mínimo entre la encimera y el fondo adyacente de la alacena.
- Para reducir el riesgo de quemaduras o incendios cuando se extienda el brazo sobre superficies calientes, evite almacenar objetos o alimentos por encima de la cubierta, el riesgo puede ser reducido instalando una campana para el aparato que sobresalga al menos 5" del borde frontal de las alacenas. Las alacenas que sean instaladas por encima del aparato no deben exceder las 13" de profundidad.



Area adecuada para tomacorriente electrico recomienda. Oriente el contacto de tal manera que el largo sea paralelo al piso.

### Requerimientos de piso para colocar la estufa.

- Su estufa, como otros aparatos domésticos, es pesada, y puede asentarse en pisos suaves como alfombras y vinilo acolchonado.
- Cuando mueva la estufa sobre este tipo de piso, deberá ser instalada sobre una lámina de triplay (o de algún material similar) de 1/4" de la siguiente manera:
- Cuando el material que cubre el piso termine justo frente a la estufa, el área donde la estufa se instalará deberá ser cubierta con triplay a un nivel igual o superior que el material que recubre el piso.

Modelo	A	B	C	D
20" Ancho	20"	20 3/8"	2"	41"
24" Ancho	24"	24 3/8"	2"	41"

# INSTRUCCIONES DE INSTALACIÓN

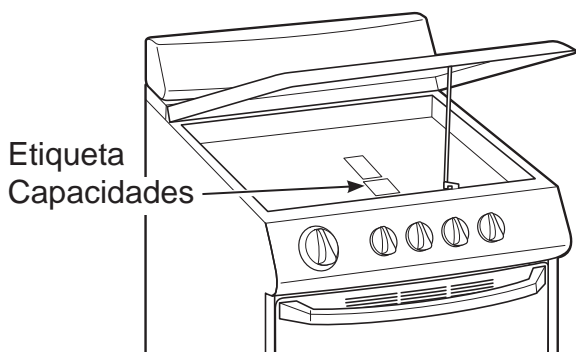
## CONEXIONES ELÉCTRICAS

### REQUISITOS ELÉCTRICOS

#### PRECAUCIÓN

Para su seguridad, no utilice una extensión eléctrica con este aparato. Remueva los fusibles de la casa o abra el circuito diferencial antes de iniciar la instalación.

- Este aparato debe recibir el voltaje y la frecuencia apropiados, y debe de ser conectado a tierra apropiadamente, y debe estar protegido por un interruptor diferencial o fusible que cuente con un amperaje igual al estipulado en la placa de potencias. La etiqueta de capacidades se encuentra debajo de la cubierta. Vea la sección de levantar la cubierta en este manual para las instrucciones de cómo levantar la cubierta.



- Le recomendamos solicitar a un técnico calificado para la instalación eléctrica de su aparato. Después de instalado el aparato, pida a su técnico que le muestre desde donde puede ser desconectado completamente el aparato.
- Revise con sus empresas de servicio público locales sobre cuáles son los códigos eléctricos de su área. El no conectar su horno de acuerdo a los códigos gubernamentales de su área podría resultar en una situación peligrosa. Si su área no cuenta con códigos locales, su aparato debe de contar con una instalación eléctrica que cumpla con los requisitos del National Electrical Code, ANSI/NFPA No. 70 - Última Edición. Puede adquirir una copia enviando una carta a:
- National Fire Protection Association, Batterymarch Park, Quincy, MA 02269

Desde Enero 1, 1996, los códigos eléctricos nacionales requieren que las nuevas construcciones (no existentes) utilicen conexiones de 4 conductores para estufas eléctricas.

Cuando instale estufas eléctricas en una construcción nueva, siga los pasos 3 y 5 para conexiones de 4 cables.

- Deberá usar un sistema de cable de 3 fichas de fase simple y C.A.208Y/120 Voltios o 240/120 Voltios, 60 Hertz. Si conecta un cableado de aluminio, se deberán usar conectores instalados correctamente para uso con cableado de aluminio.
- Si el servicio eléctrico brindado no cubre las especificaciones anteriores, solicite a un electricista matriculado la instalación de un tomacorriente aprobado.
- **NOTA:** No se recomienda para este producto el uso de interruptores automáticos, sin cables o con cables externos que corten la corriente del electrodoméstico.

#### STOP

**ALTO TODAS LAS CONSTRUCCIONES NUEVAS, CASES RODANTES E INSTALACIONES DONDE LAS REGLAMENTACIONES LOCALES NO PERMITAN A TERRIZAR LOS EQUIPOS A TRAVÉS DEL CABLE NEUTRO, REQUIEREN UN CABLE CONDUCTOR DE 4-HILOS APROBADO POR UL.**

- Use solamente cables especificados por UL del tipo 3-hilos o 4-hilos conductores. Estos cables pueden ser suministrados con terminaciones tipo arillo y un dispositivo para reducir la tensión. Se requiere un cable para estufa especificado para 40 amperes y 125/250 volts como mínimo.
- No se recomienda usar un cable especificado para 50 Amperes, pero si se decide a usarlo, debe ser alguno especificado para usarse con conexiones de 1 3/8" de diámetro. Se debe cuidar que el cable quede centrado y utilizar el dispositivo para aliviar la tensión de manera que se evite que el cable quede expuesto a filos cortantes.
- Debido a que las terminales eléctricas no son accesibles después de que la estufa está en posición, tubo flexible o cable debe ser usado.
- **NOTA:** Si se usa tubo-porta cables (conduit) vea el paso 3D y luego siga los pasos 6 y 7.
- En algunos modelos, un capacitor de filtro puede ser conectado entre las terminales blanca y negra del bloque de terminales.

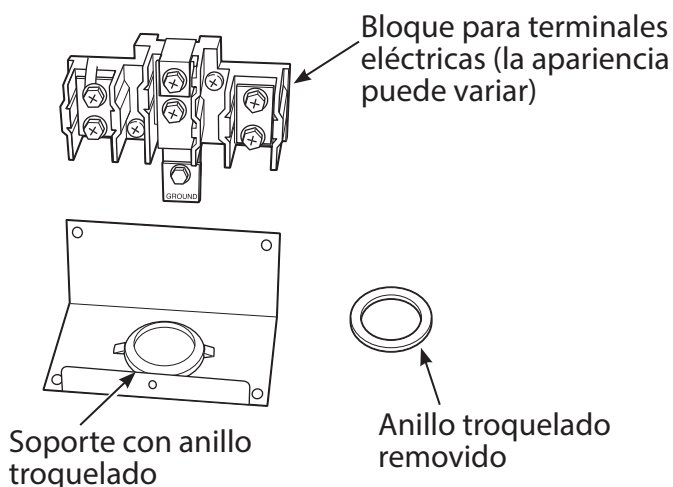
# INSTRUCCIONES DE INSTALACIÓN

## CONEXIONES ELÉCTRICAS (CONT.)

### (3) INSTALACION DEL CABLE Y DISPOSITIVO PARA REDUCIR TENSION

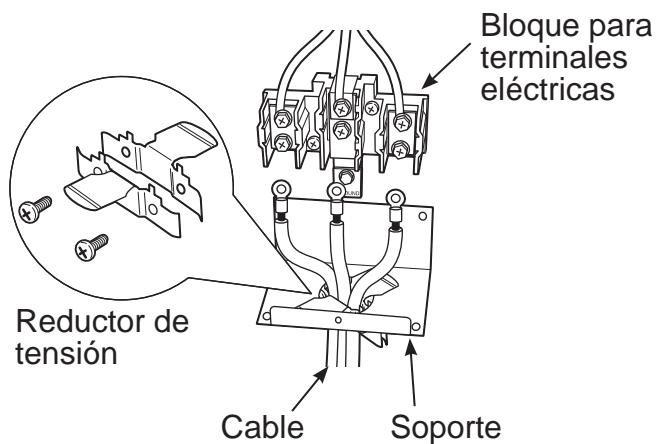
(A) Retire la cubierta del cable (parte trasera del aparato) retirando el tornillo en la parte superior central. **No deseche este tornillo.**

(B) Retire el anillo troquelado (1 3/8") que se encuentra en el soporte directamente debajo del bloque para terminales eléctricas. Para retirar el anillo, use pinzas para doblar el anillo troquelado y alejarlo del soporte y gire hasta que remueva el anillo.



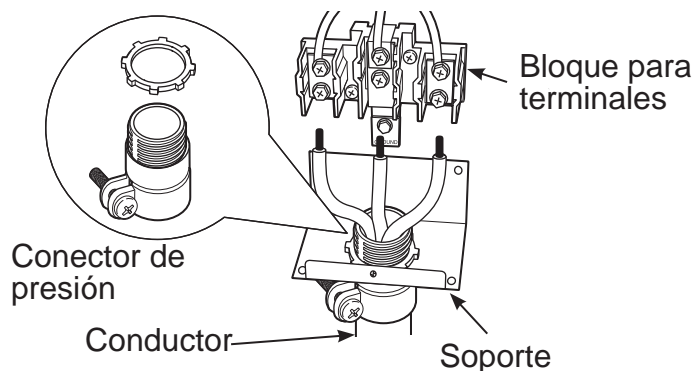
(C) **Solo para instalaciones de cable** (vea el siguiente paso si está usando tubo porta cable (conduit), ensamble el reductor de tensión en el hueco. Inserte el cable a través del reductor de tensión y apriete. Permita que quede la suficiente longitud para sujetar las terminales del cable al bloque para terminales eléctricas. Si encuentra protuberancias en la punta del reductor de tensión con tornillo de tuerca de alas, pueden ser removidas para que se acomode mejor.

**NOTA: No instale el cable sin el reductor de tensión. El soporte de reductor de tensión debe ser instalado antes e reinstalar la cubierta de cable de la parte trasera del aparato. Vea los pasos 4 o 5.**



(D) **Solamente para instalaciones con tubo Portacables (Conduit)**, adquiera un conector de presión que encaje con el diámetro de su tubo portacables (conduit) y ensamble en el hueco del soporte. Inserte el tubo porta-cables a través del conector de presión y apriete. Permita que los cables tengan la suficiente longitud para conectar los cables al bloque para terminales.

**NOTA: No instale el tubo porta-cables (conduit) sin un conector de presión. Verifique que se haya instalado un conector de presión antes de colocar la cubierta de cables al respaldo de la estufa. Vea los pasos 6 o 7.**



# INSTRUCCIONES DE INSTALACIÓN

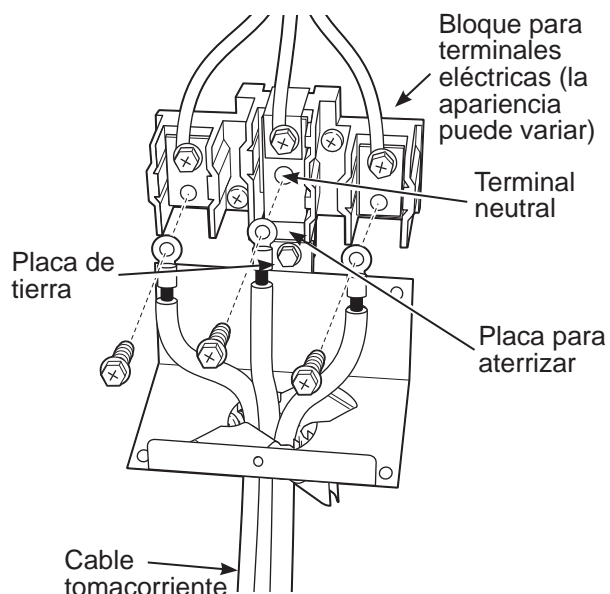
## (4) INSTALACIÓN DE CABLE DE 3 HILOS

### ⚠ ADVERTENCIA

El hilo de tierra o neutral del cable debe ser conectado a la terminal neutral que se encuentra en el centro del bloque para terminales eléctricas. Los cables con corriente deben ser conectados a las terminales derecha e izquierda del bloque de terminales eléctricas.

(A) Retire los 3 tornillos del bloque para terminales, inserte los tornillos en los tres arillo de los cables en cada una de las terminales del bloque de conexiones. Asegúrese que el cable localizado al centro (blanco/neutral) sea conectado al centro del bloque de terminales eléctricas. Apriete los tornillos asegurándolos en el bloque de terminales eléctricas. **No remueva la placa para aterrizar.**

(B) Vea el paso 8 y proceda con la instalación.



## (5) INSTALACIÓN DE CABLE DE 4 HILOS

### ⚠ ADVERTENCIA

El cable neutro del circuito de suministro de energía debe ser conectado a la terminal del neutro localizado en el centro del bloque de terminales eléctricas. Los cables que conducen corriente deben ser conectados en las terminales derecha e izquierda del bloque de conexiones. El cuarto cable a tierra debe estar conectado al marco de la cocina con la placa de conexión a tierra y el tornillo a tierra.

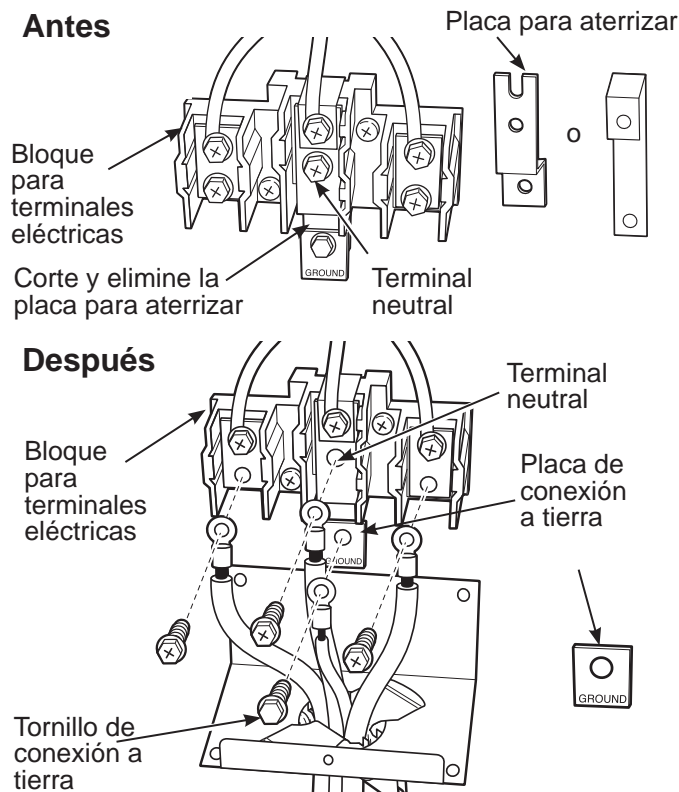
(A) Retire los 3 tornillos del bloque para terminales. Remueva el tornillo de tierra, la placa de tierra y la placa para aterrizar y guárdelos.

(B) **Corte y retire la placa para conexión a tierra. NO TIRE NINGUNO DE LOS TORNILLOS.**

(C) Inserte el tornillo de tierra al anillo del cable de conexión a tierra, después a la placa para tierra y atornille al respaldo de la estufa.

(D) Inserte los 3 tornillos del cable (removidos anteriormente) a cada una de las terminales del bloque de conexiones. Asegúrese que el cable centro (Blanco/Neutro) sea conectado al centro del bloque de conexiones eléctricas. Reinserte y apriete los tornillos con fuerza.

(E) Vea el paso 8 y proceda con la instalación.





# INSTRUCCIONES DE INSTALACIÓN

## CONEXIONES ELÉCTRICAS (CONT.)

### (6) INSTALACIÓN CON TUBO PORTACABLE (CONDUIT) DE 3-HILOS

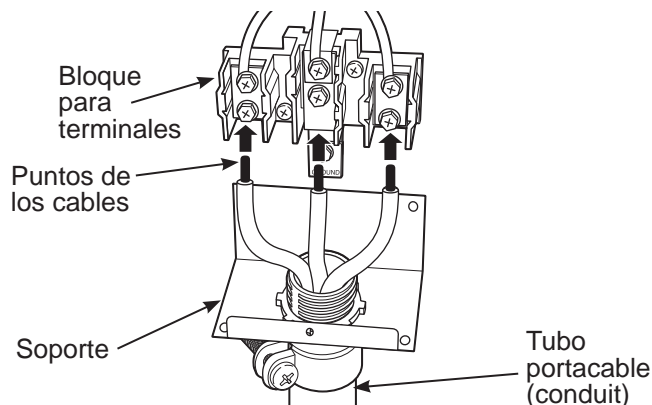
(A) Afloje los tres tornillos inferiores del bloque de conexiones. Inserte la punta del cable pelado (Blanco/Neutro) a través del orificio de la terminal central del bloque de conexiones. En ciertos modelos, el cable necesitará ser insertado a través de la placa de tierra y después al orificio de la terminal central del bloque de conexiones. Inserte las otras dos puntas de los cables pelados dentro de las aberturas de las terminales izquierda y derecha del bloque de conexiones. Apriete los tornillos hasta que el cable quede sujeto con firmeza (aproximadamente 20 lb-in).

#### NOTA: CABLES DE ALUMINIO

Se pueden usar cables hechos de aluminio pero deben estar fabricados para el voltaje y amperaje correctos para hacer las conexiones. Conecte los cables de acuerdo a los pasos 6 o 7 dependiendo del número de hilos.

**El cable usado, la posición y el aislamiento usado en las conexiones, etc., debe estar de acuerdo con buenas practicas de cableado y las reglamentaciones locales.**

(B) Salte al paso 8 y proceda con la instalación.



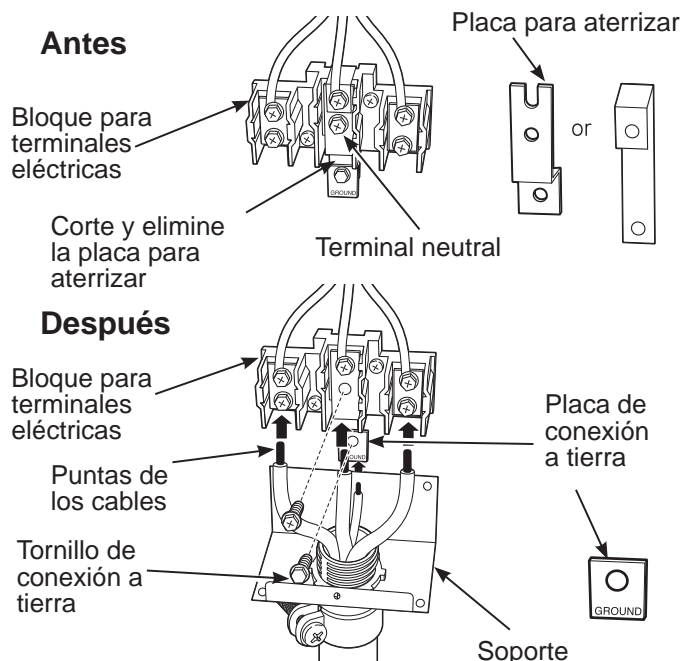
### (7) INSTALACIÓN CON TUBO PORTACABLE (CONDUIT) DE 4-HILOS

(A) Afloje los tres tornillos inferiores del bloque de conexiones. **Corte y tire la praquita de aterrizaje a tierra (Ground Strap). NO TIRE NINGÚN TORNILLO.**

(B) Inserte la punta del cable pelado de tierra entre el respaldo de la estufa y la placa de tierra (removida en el paso anterior) y asegure el cable en su lugar mediante el tornillo de tierra (también retirado en el paso anterior). Inserte las otras dos puntas de los cables pelados dentro de las aberturas de las terminales izquierda y derecha del bloque de conexiones. Apriete los tornillos hasta que el cable quede sujeto con firmeza (aproximadamente 20 lb-in).

**El cable usado, la posición y el aislamiento usado en las conexiones, etc., debe estar de acuerdo con buenas practicas de cableado y las reglamentaciones locales.**

(C) Proceda al paso 8.



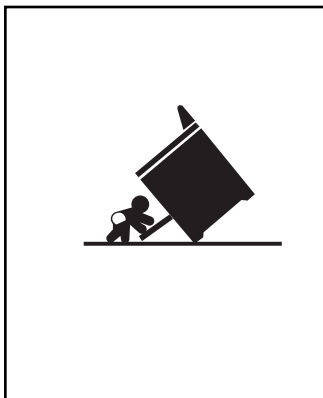
### (8) REINSTALE LA CUBIERTA DE LOS CABLES

Reinstale la cubierta de los cables al respaldo de la estufa colocando los dos tornillos que se quitaron con anterioridad. Asegúrese que no haya cables atrapados entre la tapa y el respaldo de la estufa.

# INSTRUCCIONES DE INSTALACIÓN

## INSTALE LA ESTUFA

### (9) INSTALACIÓN DE DISPOSITIVO ANTI-VOLCADURAS



## ADVERTENCIA

### Riesgo de Volcaduras

- Un niño o adulto pueden volcar la cocina y morir.
- Instale el soporte anti-volcaduras sobre la pared o el piso.
- Asegure la estufa al soporte anti-volcaduras deslizando la estufa de vuelta de tal manera que el brazo anti-volcaduras se deslice por debajo del soporte anti-volcaduras.
- No utilice la cocina sin que el soporte anti-volcaduras esté colocado y ajustado.
- Si estas instrucciones no se siguen, como resultado se podrá producir la muerte o quemaduras graves de niños y adultos.

Para reducir el RIESGO DE VOLCAR la cocina, ésta debe sujetarse mediante un SOPORTE ANTI-VOLCADURAS con una adecuada instalación. Fije el soporte con los tornillos provistos. Consulte las instrucciones de instalación por los detalles completos antes de comenzar con la instalación.

**NOTA:** La instalación del soporte ANTI-VOLCADURAS debe cumplir con todos los códigos locales para asegurar el aparato.

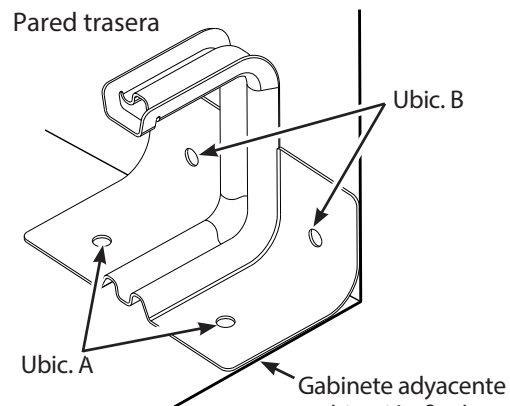
### PASO 1 UBIQUE EL SOPORTE



### IMPORTANTE:

Determine la ubicación final de la cocina antes de tratar de instalar el soporte.

**A** Coloque el soporte en el piso con el lado trasero sobre la pared trasera. Si la cocina no llega a la pared trasera, alinee el lado trasero del soporte con el panel trasero de la cocina en su ubicación final.



Dos tornillos deben ingresar en el piso o pared en la Ubic. A o B.

Gabinete adyacente o ubicación final del panel lateral derecho de la cocina



### IMPORTANTE:

Si el soporte no toca la pared trasera, usted **DEBE** atornillar el soporte al PISO como se describe en el Paso 2.

**B** Coloque el lado del soporte sobre el gabinete derecho. Si no hay un gabinete adyacente, alinee el extremo del soporte con el panel lateral derecho de la cocina en su ubicación final. Si el mostrador de encimera sobresale del gabinete, modifique la posición del soporte desde el gabinete considerando la cantidad que sobresale.

**C** Marque la ubicación para el par de orificios que se utilizarán (ver la ilustración de arriba).

**NOTA:** Para instalaciones de PISO utilice la Ubic. A. Para la instalación de PARED TRASERA utilice la Ubic. B.

# INSTRUCCIONES DE INSTALACIÓN

## INSTALE LA ESTUFA

### (9) INSTALACIÓN DE DISPOSITIVO ANTI-VOLCADURAS

#### PASO 2 SUJETE EL SOPORTE

El soporte debe atornillarse al PISO o a la PARED TRASERA.

##### Instalación de PISO

**PISO DE MADERA:** Utilice los tornillos provistos para sujetar el soporte utilizando el par de orificios marcados (Ubic. A).

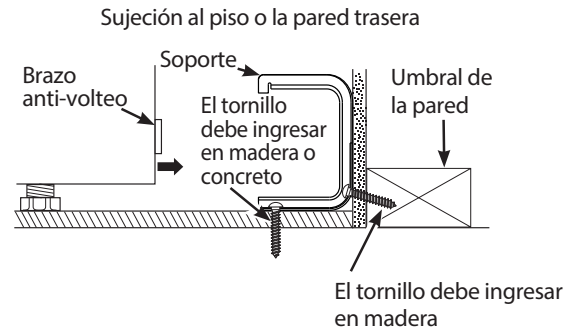
**PISO DE CONCRETO:** Utilizando una broca para concreto, perfora un orificio piloto de 5/32" de 2" de profundidad dentro del concreto en el centro de cada uno de los orificios marcados (Ubic. A). Utilice los tornillos provistos para sujetar el soporte al piso.

##### Instalación de PARED TRASERA

Utilice los 2 tornillos provistos para sujetar el soporte utilizando el par de orificios marcados en Ubic. B. Los tornillos DEBEN ingresar en el umbral de madera. Si la pared contiene parantes de metal o materiales similares, entonces debe usarse el piso.

#### PASO 3 VERIFIQUE EL SOPORTE

Luego de instalar el soporte, deslice la cocina hasta su posición final. Para revisar si el soporte es instalado y ajustado de forma apropiada, mire que debajo de la cocina el brazo anti volteo, ensamblado en el lateral, este ajustado al soporte. En algunos modelos, el cajón de almacenamiento o el panel de protección se puede retirar para una fácil inspección. Si no es posible realizar una inspección visual, deslice la cocina hacia adelante, confirme que el soporte anti-volcaduras esté ajustado de forma segura al piso o la pared, y deslice la cocina hacia atrás de modo que el brazo anti volteo se deslice por debajo del soporte anti-volcaduras. Si la cocina es expulsada de la pared por alguna razón, siempre repita este procedimiento a fin de verificar que esté asegurada de forma correcta con un soporte anti volcaduras. Nunca elimine las patas niveladoras, ya que de ser así la cocina no estará adecuadamente asegurada por el dispositivo anti volcaduras.



### IMPORTANTE:

El soporte anti-volcaduras debe **INSTALARSE DE MANERA CORRECTA** para evitar que la cocina vuelque. **NUNCA** quite las patas de nivelación. Esto no permitirá que la cocina quede bien sujeta al soporte ANTI-VOLCADURAS.

# INSTRUCCIONES DE INSTALACIÓN

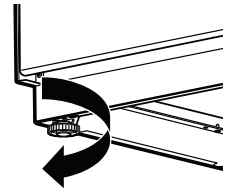
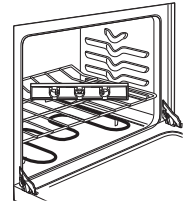
## INSTALE LA ESTUFA

### (10) NIVELE LA ESTUFA

Para un apropiado horneado y cocinado, la estufa debe estar nivelada. Las patas niveladoras están localizadas en cada esquina de la base de la estufa.

(A) Instale las parrillas de horno (vea la sección de usando el horno). Ponga un nivel de burbuja o una taza, parcialmente llena de agua, en una de las parrillas del horno. Si usa un nivel de gota, tome dos lecturas - con el nivel colocado diagonalmente primero en una dirección y luego en otra.

(B) Gire las patas niveladoras en el sentido de las manecillas del reloj para levantar la estufa y en sentido contrario de las manecillas del reloj para bajar la estufa. Ajuste la altura de las patas niveladoras hasta nivelar la estufa.



### (11) LISTA DE REVISION FINAL DE LA INSTALACIÓN

- Revise que el circuito interruptor esté reestablecido o que los fusibles se hayan reemplazado.
- Verifique que haya corriente eléctrica suministrada al edificio.
- Asegúrese que todos los materiales de empaque y las cintas adhesivas han sido removidos. Esto incluye las cintas colocadas bajo el frente de perillas (si aplican), cintas adhesivas, amarres de cables, cartones y plástico protector adherido a las superficies metálicas. Si no se retiran estos materiales, pueden causar daño a la estufa una vez que sea encendida y las superficies se calienten.
- Verifique y asegure que la puerta y el cajón sean paralelos uno respecto del otro. Y que ambos operen suavemente. Si no es así, refiérase al manual del Usuario para colocarlos adecuadamente.
- Verifique y asegure que el dispositivo anti-volteo esté instalado apropiadamente y que la estufa este enganchada para garantizar que no se voltee.
- Asegúrese de que todos los controles de la cocina se encuentren en la posición OFF (Apagado) antes de alejarse de la cocina.

# DIAGNÓSTICOS DE PROBLEMAS

A menudo, un problema es menor y quizás no sea necesario llamar para obtener servicio. Utilice esta guía de resolución de problemas para encontrar una posible solución. Si la unidad continúa funcionando de manera incorrecta, llame a un centro de servicio autorizado o al número gratuito de Danby 1-800-263-2629 para recibir asistencia.

PROBLEMA	POSIBLE CAUSA	SOLUCIÓN
Las resistencias eléctricas no funcionan apropiadamente.	Las resistencias eléctricas no están bien conectadas.	Con las perillas apagadas revise que las resistencias eléctricas estén insertadas adecuadamente en el receptáculo.
	Las perillas están colocadas inadecuadamente.	Revise que la perilla esté colocada adecuadamente para la resistencia que intenta usar.
	Las charolas para derrames no están bien colocadas en la estufa.	Con las perillas apagadas, revise que la charola para derrames esté en el hueco y que la apertura esté alineada con el receptáculo.
El horno no funciona.	Un fusible en su casa está quemado o el interruptor bajado.	Reemplace el fusible o cierre el interruptor nuevamente.
	El cable no está bien conectado a la corriente eléctrica.	Asegúrese que el cable está conectado a un contacto aterrizado a tierra.
	Los controles de horno no están ajustados correctamente.	Vea la sección de cómo usar el horno.
La comida no se asa apropiadamente.	Los controles de horno no están ajustados correctamente.	Asegúrese de girar la perilla totalmente hasta la posición <b>BROIL</b> (Asar).
	La posición de la bandeja es incorrecta.	Vea la guía de Asado.
	Sartén no apropiado para asar.	Use la tapa y charola asador con las que cuenta su estufa.
	El papel aluminio usado en la charola para asar y en la rejilla, no ha sido bien colocado y cortado como se ha recomendado.	Vea la sección como usar el papel aluminio.
La comida no se hornea o asa apropiadamente.	Los controles de horno no están ajustados correctamente.	Vea la sección de usar el horno para asar o hornear.
	Posición inapropiada de la parrilla o no está nivelada.	Vea la sección de usar el horno para asar o hornear.
	No fue realizado el precalentamiento necesario.	Vea la sección de usar el horno para asar o hornear.
	Sartén incorrecto o medida inapropiada siendo usada.	Vea la sección de usar el horno para asar o hornear.
La luz del horno no funciona	La lámpara está floja o presenta defectos.	Ajuste o cambie la lámpara.
	El interruptor de funcionamiento de la luz está roto.	Llame al servicio técnico.

# GARANTÍA LIMITADA PARA ELECTRODOMÉSTICO

Este producto de calidad está garantizado contra defectos de fabricación, incluyendo partes y mano de obra, siempre y cuando la unidad se utilice bajo las condiciones normales de funcionamiento para las que fue diseñado. Esta garantía está solamente disponible para la persona que haya comprado originalmente esta unidad directamente de Danby Products Limited (Canada) o Danby Products Inc. (U.S.A.) (en adelante "Danby") o uno de sus distribuidores autorizados, y no es transferible.

## CONDITIONS

Las piezas plásticas, se autorizan por treinta (30) días solamente a partir de la fecha de la compra, sin las extensiones proporcionadas.

- Primeros 18 meses* Durante los primeros 18 meses, cualquier parte en buen estado de este producto que resulte defectuosa, incluyendo cualquier sistema sellado, será reparado o reemplazado, a opción del fabricante, sin cargo para el comprador ORIGINAL.
- Para obtener servicio* Danby se reserva el derecho de limitar la cobertura de "Servicio en Domicilio" sujeto a la proximidad de un Taller de Servicio Autorizado. Para todo artefacto que requiera servicio fuera del área limitada de "Servicio en Domicilio", el cliente será responsable por transportar dicho artefacto hasta el Taller de Servicio Autorizado más cercano. Consulte "Límites del servicio técnico a domicilio", a continuación. Comuníquese con el distribuidor donde haya comprado la unidad, o llame al Taller de Servicio Autorizado más cercano, donde debe ser reparada por un técnico calificado. Si esta unidad es reparada en otro lugar que no sea un Taller de Servicio Autorizado, o si la unidad se utiliza para aplicaciones comerciales, Danby no se hará responsable de ninguna forma y la garantía será anulada.
- Límites del servicio técnico a domicilio* Si el electrodoméstico está instalado en un lugar que se encuentra a 100 kilómetros (62 millas) o más del centro de servicios más cercano, se debe llevar la unidad al Centro de servicios Danby autorizado más cercano, ya que dicho servicio sólo puede realizarlo un técnico calificado y certificado por Danby para prestar servicios de garantía. Los cargos por transporte desde y hacia el lugar en que se efectúe el servicio técnico no están cubiertos por esta garantía y son de responsabilidad del comprador.

Nada dentro de esta garantía implica que Danby será responsable por cualquier daño que hayan sufrido los alimentos u otros contenidos de este aparato, ya sea debido a un defecto del aparato, o su uso, adecuado o inadecuado.

## EXCLUSIONES

Salvo lo aquí indicado por Danby, no existen otras garantías, condiciones o representaciones, explícitas o implícitas, concretas o intencionales por parte de Danby o sus distribuidores autorizados y todas las demás garantías, condiciones o representaciones, incluyendo cualquier garantía, condiciones o representaciones bajo cualquier Acta de Venta de Productos o legislación o estatuto similar, quedan de esta forma expresamente excluidas. Salvo lo aquí indicado, Danby no serán responsables por ningún daño a personas o bienes, incluyendo la propia unidad, sin importar su causa, o de ningún daño indirecto causado por el desperfecto de la unidad, y al comprar esta unidad, el comprador acepta por la presente, indemnizar y proteger a Danby contra cualquier reclamo por daños a personas o bienes causados por la unidad.

## CONDICIONES GENERALES

No se considerará ninguna de estas garantías o seguros cuando el daño o la necesidad de reparación sea el producto de los siguientes casos:

- 1) Falla del suministro eléctrico.
- 2) Daños en tránsito o durante el transporte de la unidad.
- 3) Alimentación incorrecta, como bajo voltaje, instalación eléctrica defectuosa o fusibles inadecuados.
- 4) Accidente, modificación, abuso o uso incorrecto del artefacto, tal como insuficiente ventilación del ambiente o condiciones de operación anormales (temperatura ambiente extremadamente alta o baja).
- 5) Utilización comercial o industrial (v.g., si el electrodoméstico no está instalado en una vivienda particular).
- 6) Incendio, daños por agua, robo, guerra, disturbios, hostilidades, actos de fuerza mayor como huracanes, inundaciones, etc.
- 7) Pedidos de servicio debido a desinformación del usuario.
- 8) Instalación inadecuada (v.g., instalación empotrada de un electrodoméstico diseñado como unidad independiente o uso de un electrodoméstico al aire libre que no esté aprobado para dicho fin).

Para acceder a la garantía se solicitará un comprobante de compra; por lo tanto, guarde su recibo. En caso de necesitar servicio de garantía, presente ese documento al TALLER DE SERVICIO AUTORIZADO.

**Servicio de Garantía**  
Servicio en Domicilio

Danby Products Limited  
PO Box 1778, Guelph, Ontario, Canada N1H 6Z9  
Telephone: (519) 837-0920 FAX: (519) 837-0449

**1-800-263-2629**  
07/13

Danby Products Inc.  
PO Box 669, Findlay, Ohio, U.S.A. 45840  
Telephone: (419) 425-8627 FAX: (419) 425-8629

## COMPACT ELECTRIC RANGE ESTUFAS ELECTRICAS COMPACTAS

MODEL • MODELO  
DER201BSS  
DER241BSS

### COMPACT ELECTRIC RANGE

All repair parts are available for purchase or special order when you visit your nearest service depot. To request service and/or the location of the service depot nearest you, call the TOLL FREE number.

When requesting service or ordering parts, always provide the following information:

- Product Type
- Model Number
- Part Number
- Part Description

### ESTUFAS ELECTRICAS COMPACTAS

Todas las piezas de reparación disponibles para la compra o la orden especial cuando usted visita su depósito más cercano del servicio. Para pedir servicio y/o la localización del depósito del servicio lo más cerca posible usted, llama Danby gratis.

Al pedir servicio o pidiendo piezas, proporcione siempre la información siguiente:

- Tipo de producto
- Número de modelo
- Número de pieza
- Descripción de la parte

