



Design Guide

REVISED 11/2023



Contents

3	Classic Series Refrigeration
34	PRO Series Refrigeration
42	Designer Series Refrigeration
54	Wine Storage
84	Designer Undercounter Refrigeration
92	Undercounter Ice Maker
96	Sub-Zero Warranty

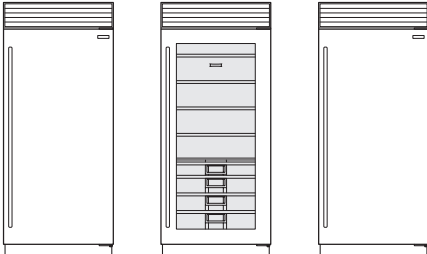


Features and specifications are subject to change at any time without notice. Visit subzero.com/specs for the most up-to-date information.

Throughout this guide, dimensions may vary by $\pm \frac{1}{8}$ " (3). Dimensions in parentheses are millimeters unless otherwise specified.

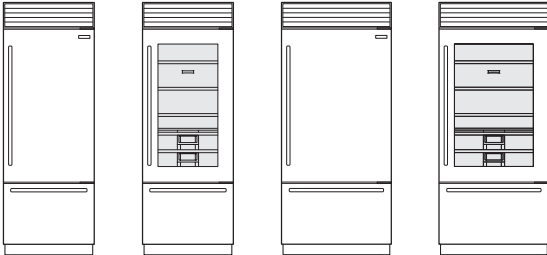
Classic Series Refrigeration

ALL REFRIGERATOR / ALL FREEZER MODELS

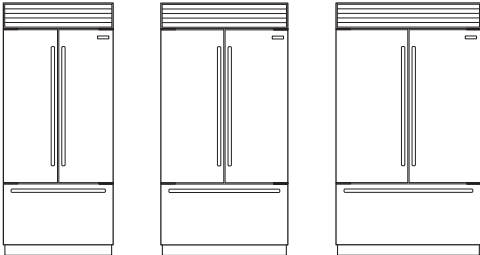


CL3650R(ID) CL3650RG CL3650F

OVER-AND-UNDER MODELS

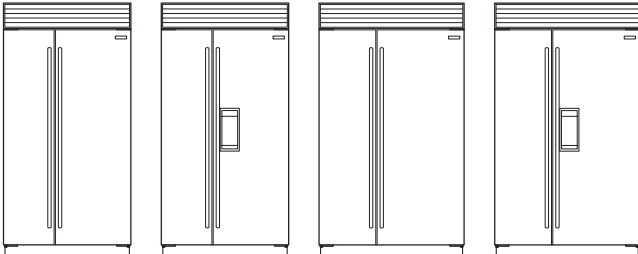


CL3050U(ID) CL3050UG CL3650U(ID) CL3650UG



CL3650UFD(ID) CL4250UFD(ID) CL4850UFD(ID)

SIDE-BY-SIDE MODELS



CL4250S(ID) CL4250SD CL4850S(ID) CL4850SD

Classic Series Design Options

OVERLAY

Custom overlay door panels can be combined with unique handle hardware for design flexibility. Shown with the pro handle option to complement Wolf ranges. Customize with panel, grille, and handle options.

Panels: Custom panels or stainless steel.

Grille: Solid custom panel or pro louvered grille for 84" overall unit height. Dual wide grille for dual installations.

Handles: Custom, tubular, or pro handles.

FLUSH INSET

The flush inset design option allows for flush door and grille panels and custom handle hardware. The flush inset application is an overlay model with flush inset panels. Customize with panel, grille, and handle options.

Panels: Custom panels or stainless steel.

Grille: Solid custom panel or pro louvered grille for 84" overall unit height. Dual wide grille for dual installations.

Handles: Custom, tubular, or pro handles.



Overlay



Flush inset

Classic Series Design Options

STAINLESS STEEL

Stainless steel models require no customization. Grille and handle options are available.

Grille: Pro louvered grille for 84" overall unit height. Dual wide grille for dual installations.

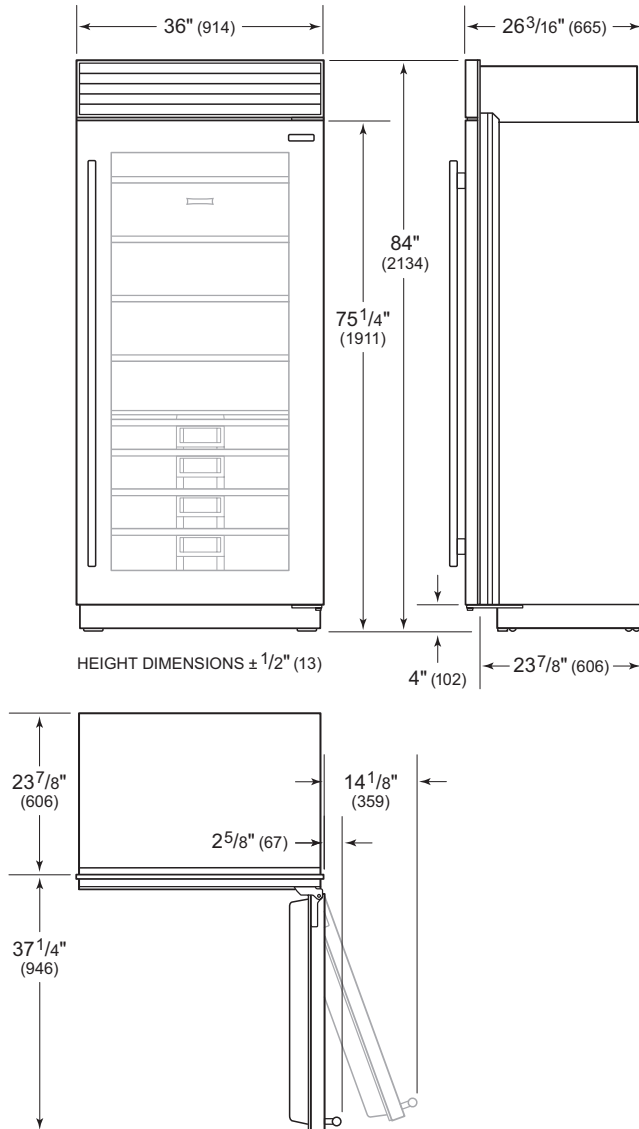
Handles: Tubular or pro handles.



Stainless steel

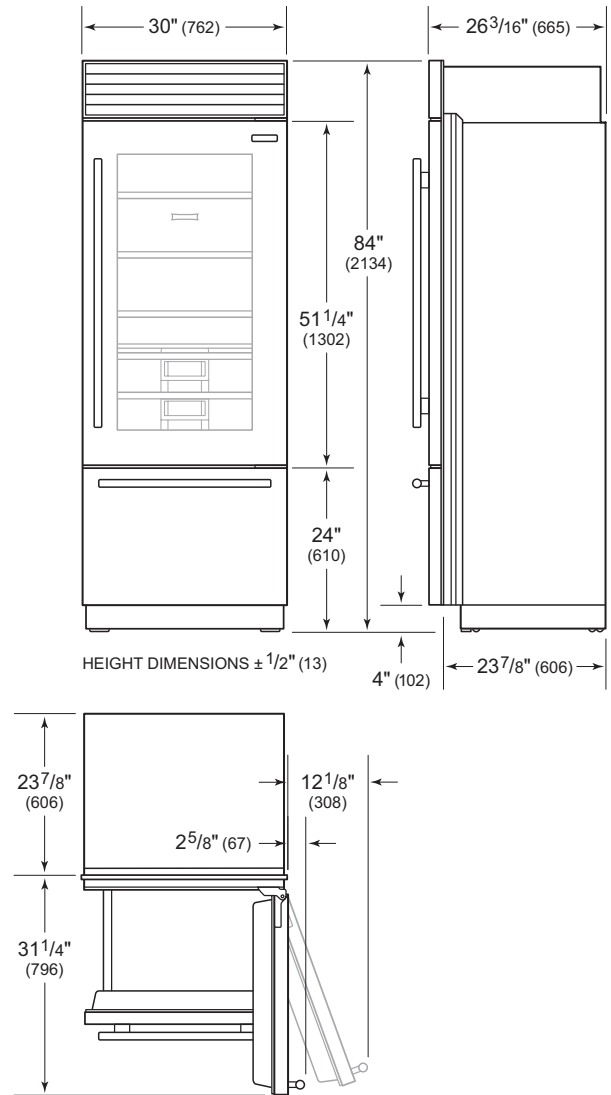
Overall Dimensions

ALL REFRIGERATOR / ALL FREEZER



Model CL3650R(ID), CL3650RG, CL3650F

OVER-AND-UNDER

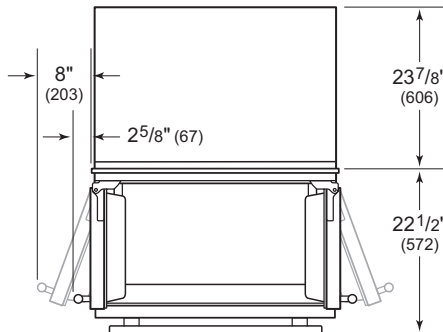
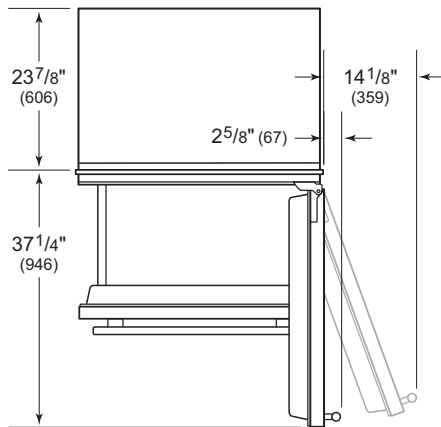
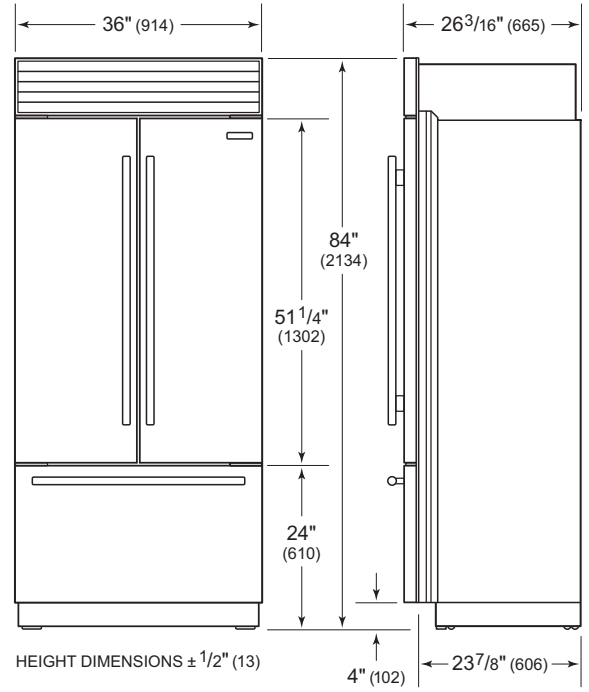
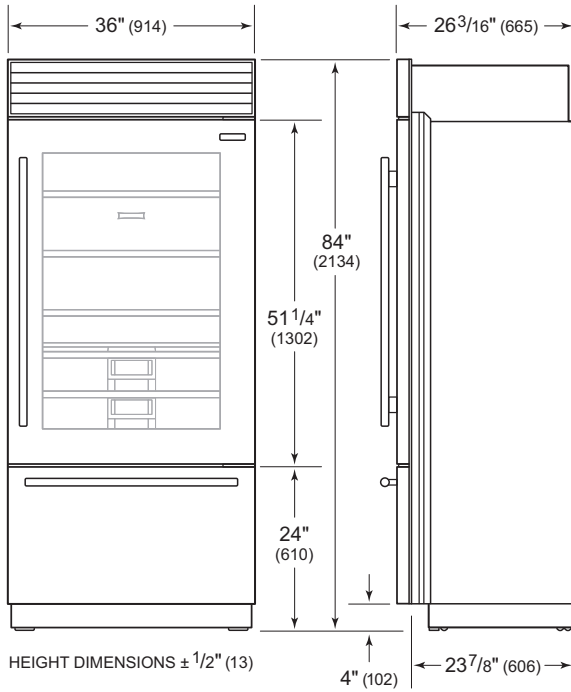


Model CL3050U(ID), CL3050UG

Overall dimensions are based on stainless steel models.
For flush inset applications, add 1/2" (13) to door clearance dimensions.

Overall Dimensions

OVER-AND-UNDER

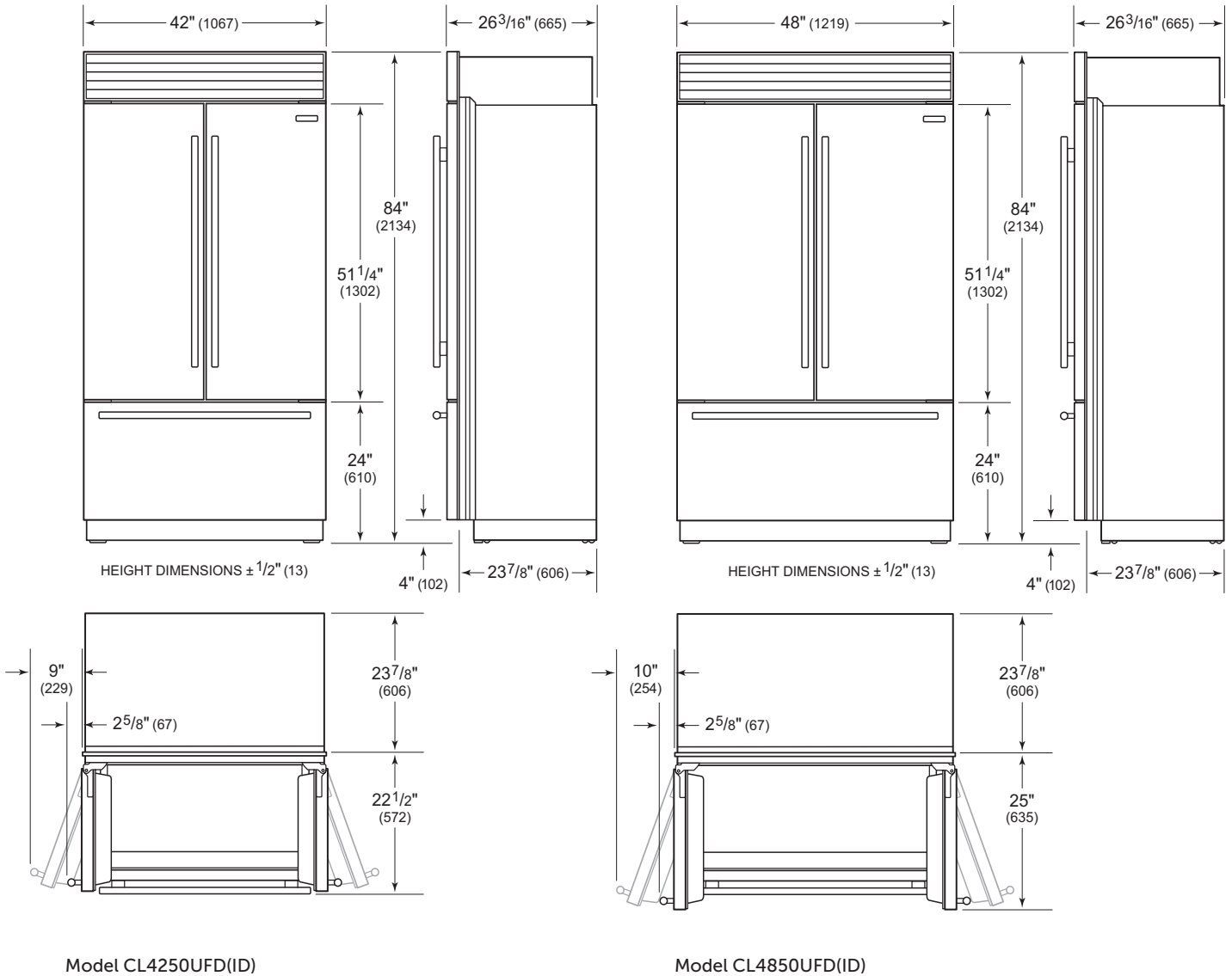


Model CL3650U(ID), CL3650UG

Model CL3650UFD(ID)

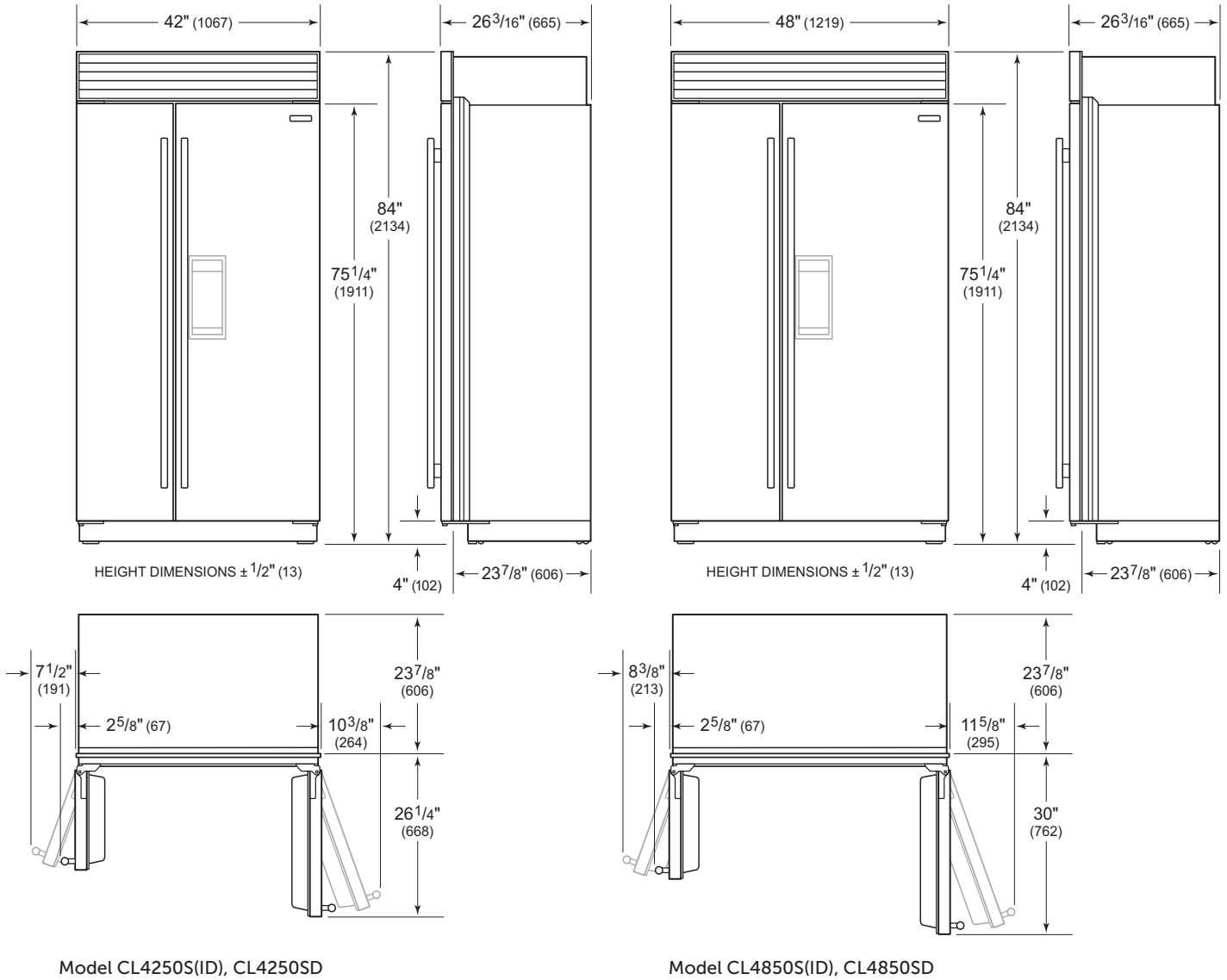
Overall Dimensions

OVER-AND-UNDER



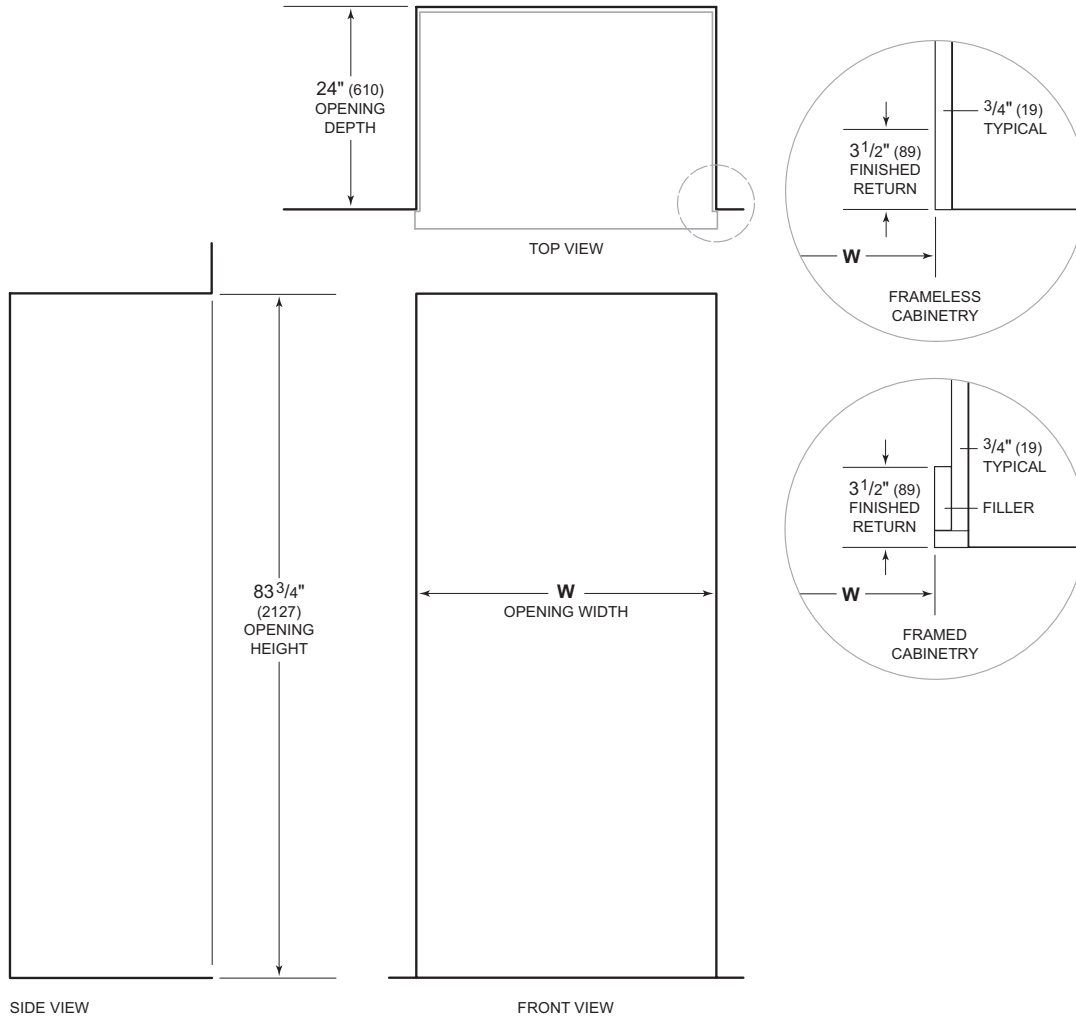
Overall Dimensions

SIDE-BY-SIDE



Opening Dimensions

STANDARD INSTALLATION



NOTE: 3 1/2" (89) finished returns will be visible and should be finished to match cabinetry. Shaded line represents profile of unit.

OPENING WIDTH

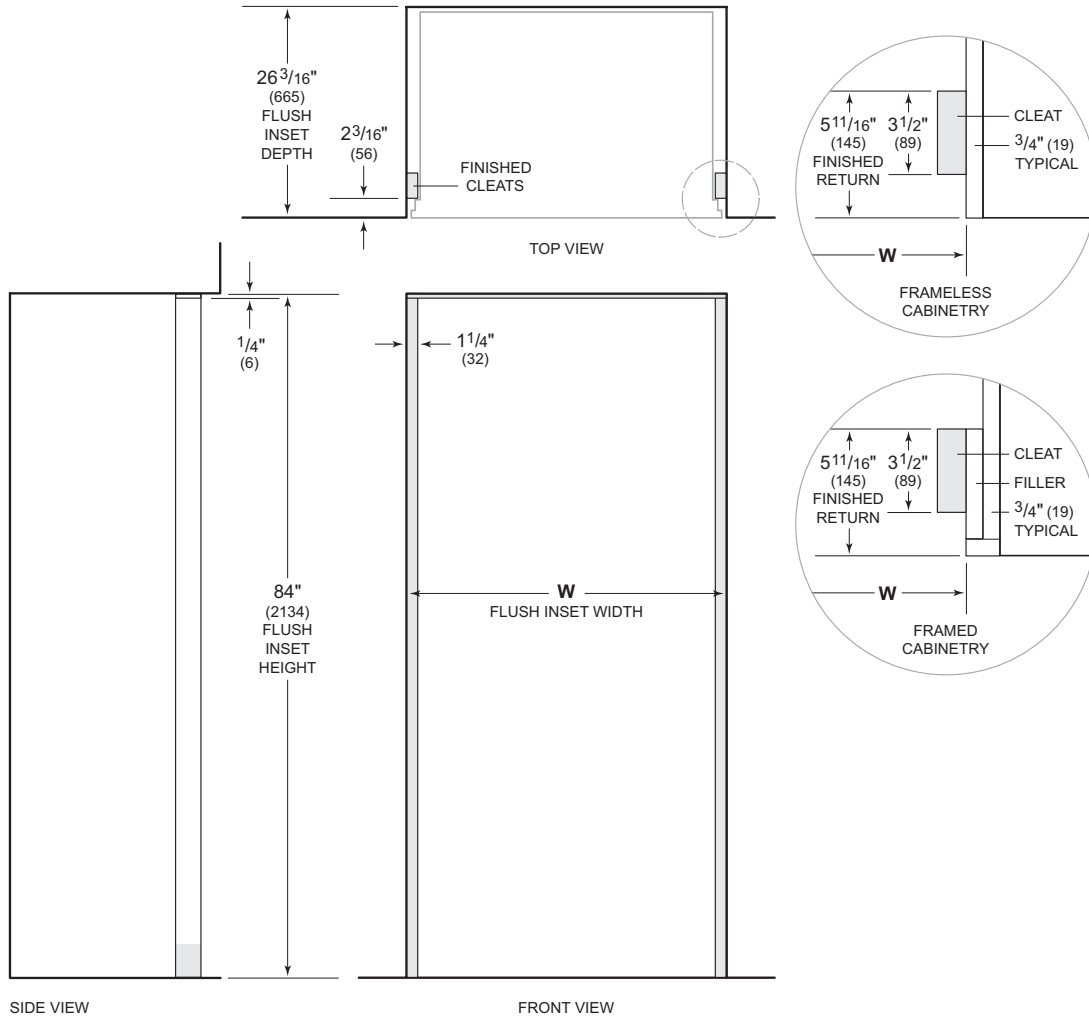
W

30" Model	29 1/2" (749)
36" Model	35 1/2" (902)
42" Model	41 1/2" (1054)
48" Model	47 1/2" (1206)

If two units are installed side by side, refer to page 12 for dual standard installations.

Opening Dimensions

FLUSH INSET INSTALLATION



NOTE: $3\frac{1}{2}"$ (89) finished returns and shaded areas will be visible and should be finished to match cabinetry. Shaded line represents profile of unit with $\frac{3}{4}"$ (19) panel.

FLUSH INSET WIDTH

W

30" Model	32" (813)
36" Model	38" (965)
42" Model	44" (1118)
48" Model	50" (1270)

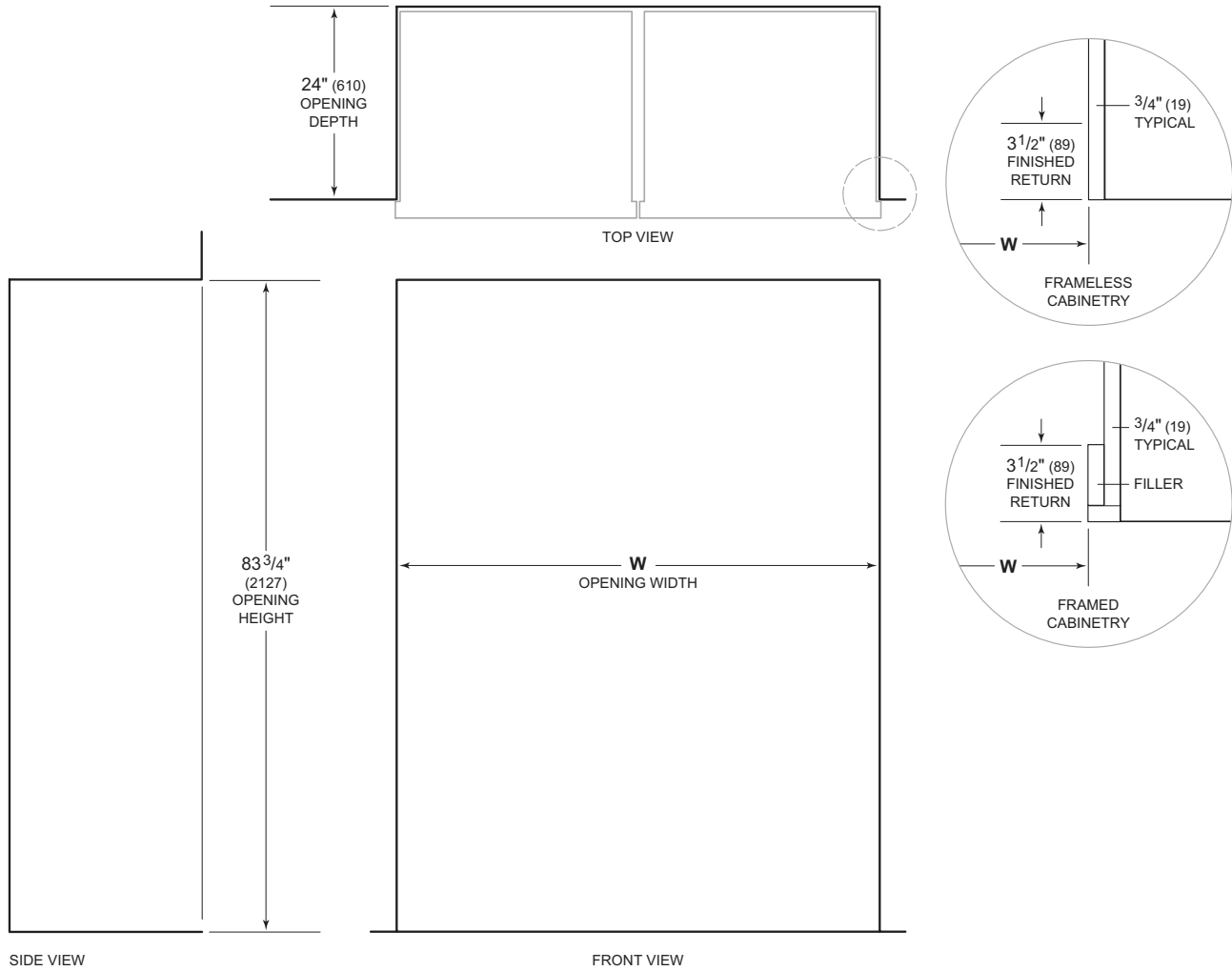
Flush inset is available for overlay models only.

Dimensions assume a $\frac{3}{4}"$ (19) panel thickness.

If two units are installed side by side, refer to page 13 for dual flush inset installations.

Opening Dimensions

DUAL STANDARD INSTALLATION



NOTE: 3 1/2" (89) finished returns will be visible and should be finished to match cabinetry. Shaded line represents profile of unit.

DUAL OPENING WIDTH

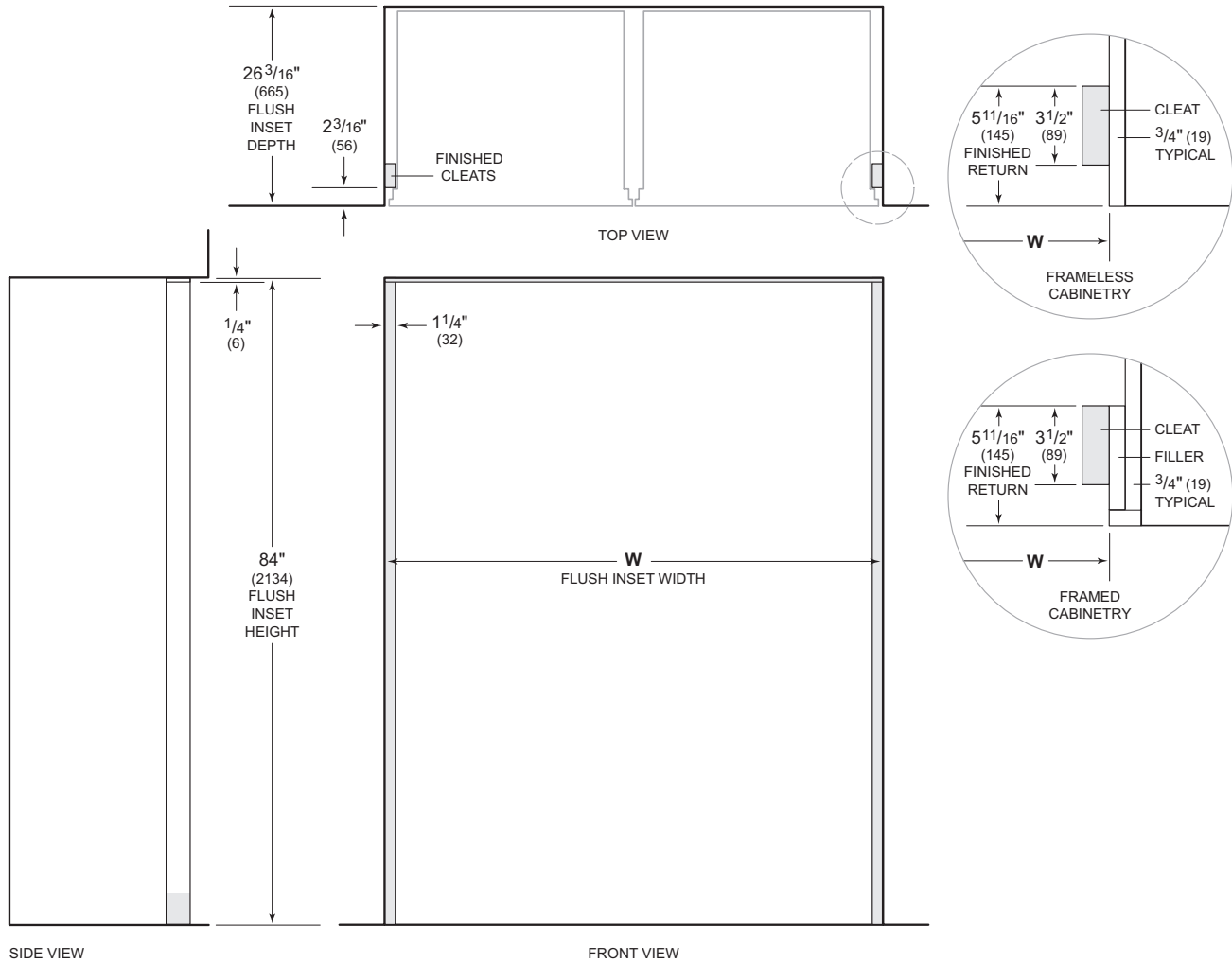
W

Two 30" Models	59 3/4" (1518)
30" and 36" Models	65 3/4" (1670)
Two 36" Models	71 3/4" (1822)

A dual installation kit is required for this installation.

Opening Dimensions

DUAL FLUSH INSET INSTALLATION



NOTE: $3\frac{1}{2}$ " (89) finished returns and shaded areas will be visible and should be finished to match cabinetry. Shaded line represents profile of unit with $3/4$ " (19) panel.

DUAL FLUSH INSET WIDTH

W

Two 30" Models	$62\frac{1}{4}$ " (1581)
30" and 36" Models	$68\frac{1}{4}$ " (1734)
Two 36" Models	$74\frac{1}{4}$ " (1886)

Flush inset is available for overlay models only.

Dimensions assume a $3/4$ " (19) panel thickness. A dual installation kit is required for this installation.

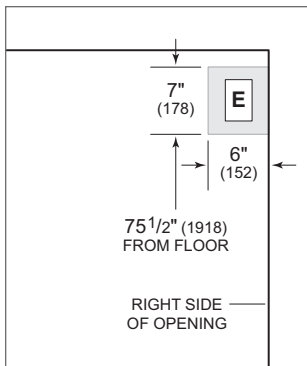
Electrical Requirements

Locate the electrical supply within the shaded area shown in the illustration below. A separate circuit servicing only this appliance is required. A ground fault circuit interrupter (GFCI) is not recommended and may cause interruption of operation.

Installation must comply with all applicable electrical codes.

ELECTRICAL REQUIREMENTS

Electrical Supply	115 VAC, 60 Hz
Service	15 amp dedicated circuit
Receptacle	3-prong grounding-type



Electrical supply location

Plumbing Requirements

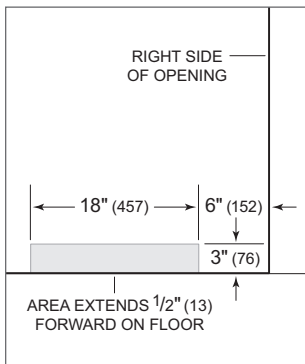
Locate the water supply line within the shaded area shown in the illustration below. The water supply line should be connected to the house supply with an easily accessible shut-off valve. Do not use self-piercing valves. The water supply line must not interfere with the installation of the anti-tip brackets.

A reverse osmosis system can be used provided there is constant water pressure of 35–120 psi (2.4–8.3 bar) supplied to the unit at all times. A copper line is not recommended for this application.

Installation must comply with all applicable plumbing codes.

PLUMBING REQUIREMENTS

Water Supply	1/4" OD copper, braided stainless steel, or PEX tubing
Pressure	35–120 psi (2.4–8.3 bar)
Excess Line for Connection	36" (914)



Water supply location

Custom Panels

For overlay and flush inset applications, custom door panels must be provided. Handle hardware must also be provided for overlay and flush inset applications. Refer to Panel Requirements below and the charts on the following pages for custom panel dimensions for your specific design application.

IMPORTANT NOTE: Do not cover a glass door with a solid panel.

Finish all sides of the custom panels. They may be visible when the door is open or through the window of glass door models.

PANEL REQUIREMENTS

WEIGHT PER PANEL	MAX
CL3650R(ID), CL3650RG, CL3650F, CL3050W	75 lb (34 kg)
All Other Models	50 lb (23 kg)
Grille Panel	13 lb (6 kg)
Panel Thickness	3/4" (19)

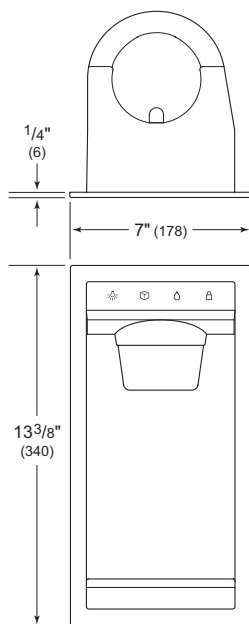
PANEL MOUNTING KIT

The Sub-Zero custom panel mounting kit eliminates the need for the backer and spacer panels and is available through an authorized Sub-Zero dealer. For local dealer information, visit the find a showroom section of our website, subzero.com. The kit consists of mounting cleats, screws, and gauges used to properly position the cleats. The kit is available for all Classic Series models except glass door models. Dual installations require two mounting kits.

Custom Panels

ICE AND WATER DISPENSER

For models CL4250SD and CL4850SD, the refrigerator door panel must include a cutout to accommodate the external dispenser. The bezel will accommodate a minimum $\frac{3}{4}$ " (19) thick panel. Panels thicker than $\frac{3}{4}$ " (19) must be routed to $\frac{3}{4}$ " (22) in the dispenser area ($1\frac{1}{8}$ " (29) including the backer and spacer panels).

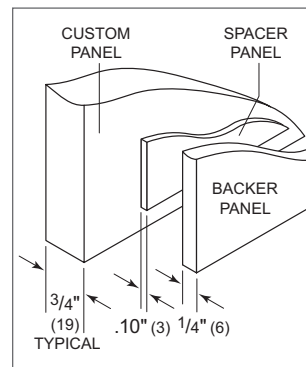


Dispenser dimensions

Overlay Panels

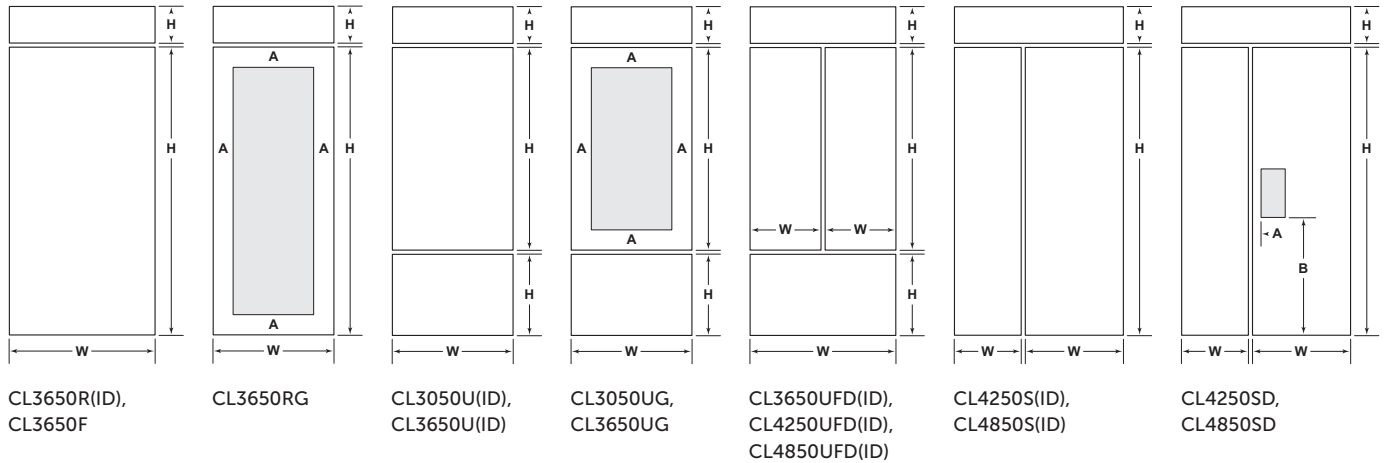
Overlay panels are typically created by combining a $\frac{3}{4}$ " (19) custom panel, a $.10$ " (3) spacer panel, and a $\frac{1}{4}$ " (6) backer panel. Refer to the illustration below.

When installing two units side by side, refer to page 12 for dual standard installations.



Panel assembly (rear view)

Overlay Panel Dimensions



MODEL CL3650R(ID), CL3650RG, CL3650F

REFRIGERATOR / FREEZER	W	H
Overlay Panel	36" (914)	71 ¹ / ₄ " (1810)
Spacer Panel	35 ¹ / ₈ " (892)	70 ⁷ / ₁₆ " (1789)
Backer Panel	35 ³ / ₄ " (908)	71 ¹ / ₁₆ " (1805)

GRILLE	W	H
Overlay Panel	36" (914)	7 ³ / ₄ " (197)*
Spacer Panel	35 ¹ / ₈ " (892)	6 ¹³ / ₁₆ " (173)
Backer Panel	35 ³ / ₄ " (908)	7 ⁷ / ₁₆ " (189)

CL3650RG	A
Stiles / Rails	5 ¹ / ₄ " (133)

*Panel height may be increased by ⁷/₁₆" (11) to hide upper main frame.

MODEL CL3050U(ID), CL3050UG

REFRIGERATOR	W	H
Overlay Panel	30" (762)	50 ⁵ / ₈ " (1286)
Spacer Panel	29 ¹ / ₈ " (740)	49 ¹³ / ₁₆ " (1265)
Backer Panel	29 ³ / ₄ " (756)	50 ⁷ / ₁₆ " (1281)

FREEZER	W	H
Overlay Panel	30" (762)	20" (508)
Spacer Panel	29 ¹ / ₈ " (740)	19 ¹ / ₁₆ " (484)
Backer Panel	29 ³ / ₄ " (756)	19 ¹¹ / ₁₆ " (500)

GRILLE	W	H
Overlay Panel	30" (762)	7 ³ / ₄ " (197)*
Spacer Panel	29 ¹ / ₈ " (740)	6 ¹³ / ₁₆ " (173)
Backer Panel	29 ³ / ₄ " (756)	7 ⁷ / ₁₆ " (189)

CL3050UG	A
Stiles / Rails	5 ¹ / ₄ " (133)

MODEL CL3650U(ID), CL3650UG

REFRIGERATOR	W	H
Overlay Panel	36" (914)	50 ⁵ / ₈ " (1286)
Spacer Panel	35 ¹ / ₈ " (892)	49 ¹³ / ₁₆ " (1265)
Backer Panel	35 ³ / ₄ " (908)	50 ⁷ / ₁₆ " (1281)

FREEZER	W	H
Overlay Panel	36" (914)	20" (508)
Spacer Panel	35 ¹ / ₈ " (892)	19 ¹ / ₁₆ " (484)
Backer Panel	35 ³ / ₄ " (908)	19 ¹¹ / ₁₆ " (500)

GRILLE	W	H
Overlay Panel	36" (914)	7 ³ / ₄ " (197)*
Spacer Panel	35 ¹ / ₈ " (892)	6 ¹³ / ₁₆ " (173)
Backer Panel	35 ³ / ₄ " (908)	7 ⁷ / ₁₆ " (189)

CL3650UG	A
Stiles / Rails	5 ¹ / ₄ " (133)

Overlay Panel Dimensions

MODEL CL3650UFD(ID)

REFRIGERATOR (2 PANELS)	W	H
Overlay Panel	17 ⁷ / ₈ " (454)	50 ⁵ / ₈ " (1286)
Spacer Panel	17" (432)	49 ¹³ / ₁₆ " (1265)
Backer Panel	17 ⁵ / ₈ " (448)	50 ⁷ / ₁₆ " (1281)
FREEZER	W	H
Overlay Panel	36" (914)	20" (508)
Spacer Panel	35 ¹ / ₈ " (892)	19 ¹ / ₁₆ " (484)
Backer Panel	35 ³ / ₄ " (908)	19 ¹¹ / ₁₆ " (500)
GRILLE	W	H
Overlay Panel	36" (914)	7 ³ / ₄ " (197)*
Spacer Panel	35 ¹ / ₈ " (892)	6 ¹³ / ₁₆ " (173)
Backer Panel	35 ³ / ₄ " (908)	7 ⁷ / ₁₆ " (189)

MODEL CL4250UFD(ID)

REFRIGERATOR (2 PANELS)	W	H
Overlay Panel	20 ⁷ / ₈ " (530)	50 ⁵ / ₈ " (1286)
Spacer Panel	20" (508)	49 ¹³ / ₁₆ " (1265)
Backer Panel	20 ⁵ / ₈ " (524)	50 ⁷ / ₁₆ " (1281)
FREEZER	W	H
Overlay Panel	42" (1067)	20" (508)
Spacer Panel	41 ¹ / ₈ " (1045)	19 ¹ / ₁₆ " (484)
Backer Panel	41 ³ / ₄ " (1060)	19 ¹¹ / ₁₆ " (500)
GRILLE	W	H
Overlay Panel	42" (1067)	7 ³ / ₄ " (197)*
Spacer Panel	41 ¹ / ₈ " (1045)	6 ¹³ / ₁₆ " (173)
Backer Panel	41 ³ / ₄ " (1060)	7 ⁷ / ₁₆ " (189)

MODEL CL4850UFD(ID)

REFRIGERATOR (2 PANELS)	W	H
Overlay Panel	23 ⁷ / ₈ " (606)	50 ⁵ / ₈ " (1286)
Spacer Panel	23" (584)	49 ¹³ / ₁₆ " (1265)
Backer Panel	23 ⁵ / ₈ " (600)	50 ⁷ / ₁₆ " (1281)
FREEZER	W	H
Overlay Panel	48" (1219)	20" (508)
Spacer Panel	47 ¹ / ₈ " (1197)	19 ¹ / ₁₆ " (484)
Backer Panel	47 ³ / ₄ " (1213)	19 ¹¹ / ₁₆ " (500)
GRILLE	W	H
Overlay Panel	48" (1219)	7 ³ / ₄ " (197)*
Spacer Panel	47 ¹ / ₈ " (1197)	6 ¹³ / ₁₆ " (173)
Backer Panel	47 ³ / ₄ " (1213)	7 ⁷ / ₁₆ " (189)

MODEL CL4250S(ID), CL4250SD

REFRIGERATOR	W	H
Overlay Panel	25 ¹ / ₁₆ " (637)	71 ¹ / ₄ " (1810)
Spacer Panel	24 ³ / ₁₆ " (614)	70 ⁷ / ₁₆ " (1789)
Backer Panel	24 ¹³ / ₁₆ " (630)	71 ¹ / ₁₆ " (1805)
FREEZER	W	H
Overlay Panel	16 ¹¹ / ₁₆ " (424)	71 ¹ / ₄ " (1810)
Spacer Panel	15 ¹³ / ₁₆ " (402)	70 ⁷ / ₁₆ " (1789)
Backer Panel	16 ⁷ / ₁₆ " (418)	71 ¹ / ₁₆ " (1805)
GRILLE	W	H
Overlay Panel	42" (1067)	7 ³ / ₄ " (197)*
Spacer Panel	41 ¹ / ₈ " (1045)	6 ¹³ / ₁₆ " (173)
Backer Panel	41 ³ / ₄ " (1060)	7 ⁷ / ₁₆ " (189)
CL4250SD	W	H
Dispenser Cutout	6 ³ / ₈ " (162)	13" (330)
	A	B
Cutout Location	2 ¹ / ₈ " (54)	32 ³ / ₄ " (832)

MODEL CL4850S(ID), CL4850SD

REFRIGERATOR	W	H
Overlay Panel	28 ³ / ₄ " (730)	71 ¹ / ₄ " (1810)
Spacer Panel	27 ⁷ / ₈ " (708)	70 ⁷ / ₁₆ " (1789)
Backer Panel	28 ¹ / ₂ " (724)	71 ¹ / ₁₆ " (1805)
FREEZER	W	H
Overlay Panel	19" (483)	71 ¹ / ₄ " (1810)
Spacer Panel	18 ¹ / ₈ " (460)	70 ⁷ / ₁₆ " (1789)
Backer Panel	18 ³ / ₄ " (476)	71 ¹ / ₁₆ " (1805)
GRILLE	W	H
Overlay Panel	48" (1219)	7 ³ / ₄ " (197)*
Spacer Panel	47 ¹ / ₈ " (1197)	6 ¹³ / ₁₆ " (173)
Backer Panel	47 ³ / ₄ " (1213)	7 ⁷ / ₁₆ " (189)
CL4850SD	W	H
Dispenser Cutout	6 ³ / ₈ " (162)	13" (330)
	A	B
Cutout Location	2 ¹ / ₈ " (54)	32 ³ / ₄ " (832)

*Panel height may be increased by ⁷/₁₆" (11) to hide upper main frame.

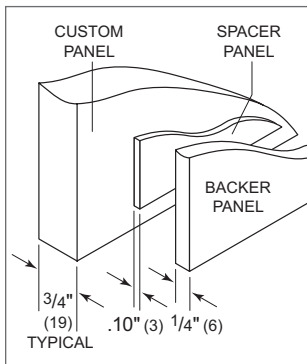
Flush Inset Panels

The flush inset application is an overlay model with flush inset panels. It is not a separate model.

The flush inset design allows custom panels to be installed flush with adjacent cabinets. Similar to overlay, flush inset panels are typically created by combining a $\frac{3}{4}$ " (19) custom panel, a .10" (3) spacer panel, and a $\frac{1}{4}$ " (6) backer panel. Refer to the illustration below.

For flush inset panels thicker than $\frac{3}{4}$ " (19), a 90° door stop may be required to prevent interference with adjacent cabinets. Refer to the full-scale templates at the end of this guide.

When installing two units side by side, refer to page 13 for dual flush inset installations.



Panel assembly (rear view)

Flush Inset Panels

PANEL OFFSET

The illustrations provide panel offsets and reveals for Classic Series models in a flush inset application. Refer to the chart below for reference to the illustrations.

PANEL OFFSET

ALL REFRIGERATOR / ALL FREEZER

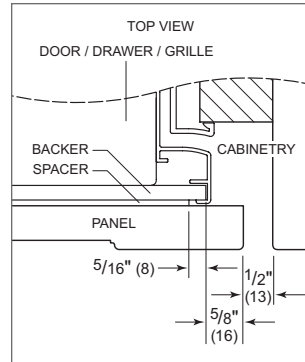
	ILLUS
Door / Grille Sides	A
Grille Top	C
Grille Bottom / Door Top	D
Door Bottom	F

OVER-AND-UNDER

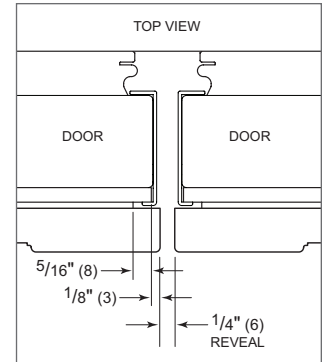
	ILLUS
Door (hinge) / Drawer / Grille Sides	A
Doors (handle) Sides (French door only)	B
Grille Top	C
Grille Bottom / Door Top	D
Door Bottom / Drawer Top	E
Drawer Bottom	F

SIDE-BY-SIDE

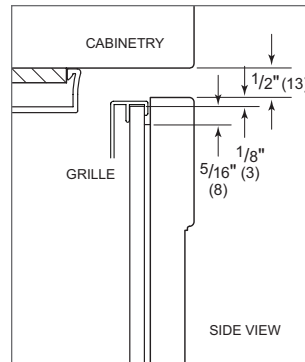
	ILLUS
Doors (hinge) / Grille Sides	A
Doors (handle) Sides	B
Grille Top	C
Grille Bottom / Door Top	D
Door Bottom	F



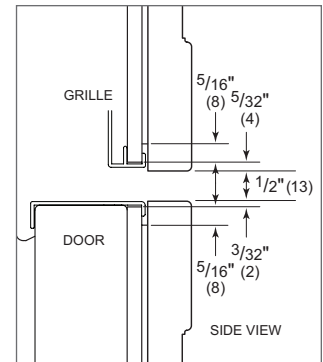
Illus. A



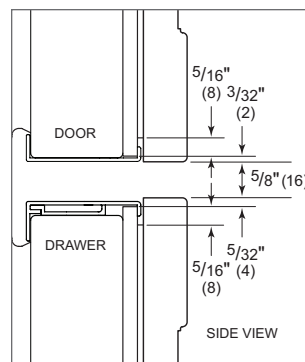
Illus. B



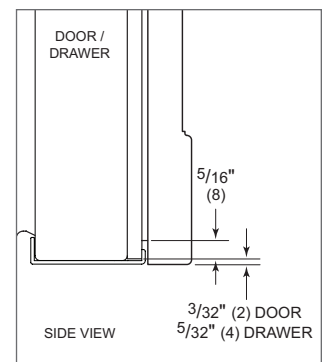
Illus. C



Illus. D

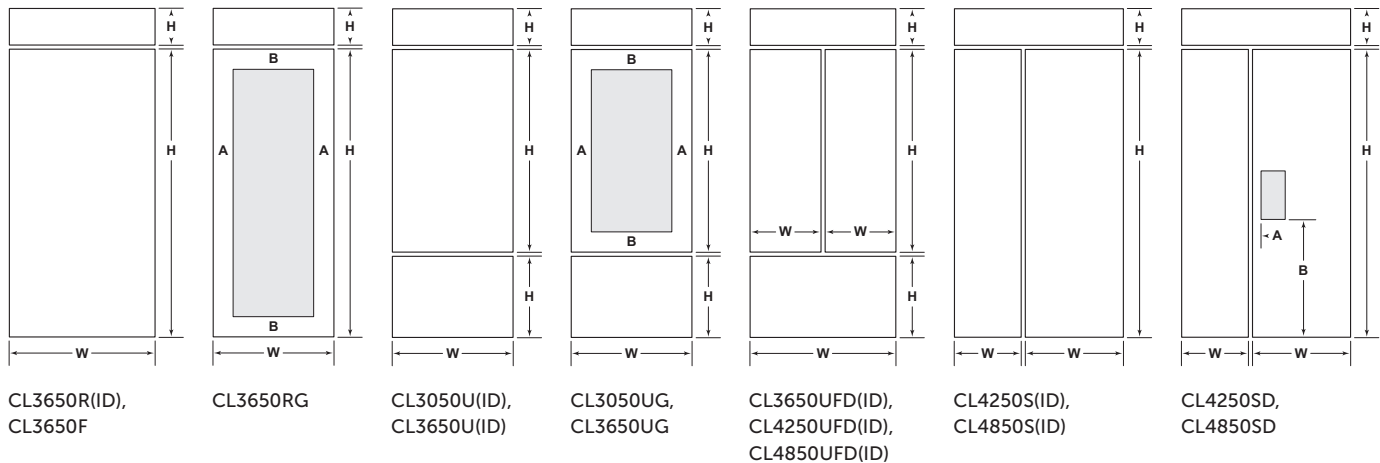


Illus. E



Illus. F

Flush Inset Panel Dimensions



MODEL CL3650R(ID), CL3650RG, CL3650F

REFRIGERATOR / FREEZER	W	H
Flush Inset Panel	37" (940)	71 ¹ / ₄ " (1810)
Spacer Panel	35 ¹ / ₈ " (892)	70 ⁷ / ₁₆ " (1789)
Backer Panel	35 ³ / ₄ " (908)	71 ¹ / ₁₆ " (1805)

GRILLE	W	H
Flush Inset Panel	37" (940)	7 ³ / ₄ " (197)
Spacer Panel	35 ¹ / ₈ " (892)	6 ¹³ / ₁₆ " (173)
Backer Panel	35 ³ / ₄ " (908)	7 ⁷ / ₁₆ " (189)

CL3650RG	A	B
Stiles / Rails	5 ³ / ₄ " (146)	5 ¹ / ₄ " (133)

MODEL CL3050U(ID), CL3050UG

REFRIGERATOR	W	H
Flush Inset Panel	31" (787)	50 ⁵ / ₈ " (1286)
Spacer Panel	29 ¹ / ₈ " (740)	49 ¹³ / ₁₆ " (1265)
Backer Panel	29 ³ / ₄ " (756)	50 ⁷ / ₁₆ " (1281)

FREEZER	W	H
Flush Inset Panel	31" (787)	20" (508)
Spacer Panel	29 ¹ / ₈ " (740)	19 ¹ / ₁₆ " (484)
Backer Panel	29 ³ / ₄ " (756)	19 ¹¹ / ₁₆ " (500)

GRILLE	W	H
Flush Inset Panel	31" (787)	7 ³ / ₄ " (197)
Spacer Panel	29 ¹ / ₈ " (740)	6 ¹³ / ₁₆ " (173)
Backer Panel	29 ³ / ₄ " (756)	7 ⁷ / ₁₆ " (189)

CL3050UG	A	B
Stiles / Rails	5 ³ / ₄ " (146)	5 ¹ / ₄ " (133)

MODEL CL3650U(ID), CL3650UG

REFRIGERATOR	W	H
Flush Inset Panel	37" (940)	50 ⁵ / ₈ " (1286)
Spacer Panel	35 ¹ / ₈ " (892)	49 ¹³ / ₁₆ " (1265)
Backer Panel	35 ³ / ₄ " (908)	50 ⁷ / ₁₆ " (1281)

FREEZER	W	H
Flush Inset Panel	37" (940)	20" (508)
Spacer Panel	35 ¹ / ₈ " (892)	19 ¹ / ₁₆ " (484)
Backer Panel	35 ³ / ₄ " (908)	19 ¹¹ / ₁₆ " (500)

GRILLE	W	H
Flush Inset Panel	37" (940)	7 ³ / ₄ " (197)
Spacer Panel	35 ¹ / ₈ " (892)	6 ¹³ / ₁₆ " (173)
Backer Panel	35 ³ / ₄ " (908)	7 ⁷ / ₁₆ " (189)

CL3650UG	A	B
Stiles / Rails	5 ³ / ₄ " (146)	5 ¹ / ₄ " (133)

Flush Inset Panel Dimensions

MODEL CL3650UFD(ID)

REFRIGERATOR (2 PANELS)	W	H
Flush Inset Panel	18 ³ / ₈ " (467)	50 ⁵ / ₈ " (1286)
Spacer Panel	17" (432)	49 ¹³ / ₁₆ " (1265)
Backer Panel	17 ⁵ / ₈ " (448)	50 ⁷ / ₁₆ " (1281)

FREEZER	W	H
Flush Inset Panel	37" (940)	20" (508)
Spacer Panel	35 ¹ / ₈ " (892)	19 ¹ / ₁₆ " (484)
Backer Panel	35 ³ / ₄ " (908)	19 ¹ / ₁₆ " (500)

GRILLE	W	H
Flush Inset Panel	37" (940)	7 ³ / ₄ " (197)
Spacer Panel	35 ¹ / ₈ " (892)	6 ¹³ / ₁₆ " (173)
Backer Panel	35 ³ / ₄ " (908)	7 ⁷ / ₁₆ " (189)

MODEL CL4250UFD(ID)

REFRIGERATOR (2 PANELS)	W	H
Flush Inset Panel	21 ³ / ₈ " (543)	50 ⁵ / ₈ " (1286)
Spacer Panel	20" (508)	49 ¹³ / ₁₆ " (1265)
Backer Panel	20 ⁵ / ₈ " (524)	50 ⁷ / ₁₆ " (1281)

FREEZER	W	H
Flush Inset Panel	43" (1092)	20" (508)
Spacer Panel	41 ¹ / ₈ " (1045)	19 ¹ / ₁₆ " (484)
Backer Panel	41 ³ / ₄ " (1060)	19 ¹ / ₁₆ " (500)

GRILLE	W	H
Flush Inset Panel	43" (1092)	7 ³ / ₄ " (197)
Spacer Panel	41 ¹ / ₈ " (1045)	6 ¹³ / ₁₆ " (173)
Backer Panel	41 ³ / ₄ " (1060)	7 ⁷ / ₁₆ " (189)

MODEL CL4850UFD(ID)

REFRIGERATOR (2 PANELS)	W	H
Flush Inset Panel	24 ³ / ₈ " (619)	50 ⁵ / ₈ " (1286)
Spacer Panel	23" (584)	49 ¹³ / ₁₆ " (1265)
Backer Panel	23 ⁵ / ₈ " (600)	50 ⁷ / ₁₆ " (1281)

FREEZER	W	H
Flush Inset Panel	49" (1245)	20" (508)
Spacer Panel	47 ¹ / ₈ " (1197)	19 ¹ / ₁₆ " (484)
Backer Panel	47 ³ / ₄ " (1213)	19 ¹ / ₁₆ " (500)

GRILLE	W	H
Flush Inset Panel	49" (1245)	7 ³ / ₄ " (197)
Spacer Panel	47 ¹ / ₈ " (1197)	6 ¹³ / ₁₆ " (173)
Backer Panel	47 ³ / ₄ " (1213)	7 ⁷ / ₁₆ " (189)

MODEL CL4250S(ID), CL4250SD

REFRIGERATOR	W	H
Flush Inset Panel	25 ⁹ / ₁₆ " (649)	71 ¹ / ₄ " (1810)
Spacer Panel	24 ³ / ₁₆ " (614)	70 ⁷ / ₁₆ " (1789)
Backer Panel	24 ¹³ / ₁₆ " (630)	71 ¹ / ₁₆ " (1805)

FREEZER	W	H
Flush Inset Panel	17 ³ / ₁₆ " (437)	71 ¹ / ₄ " (1810)
Spacer Panel	15 ¹³ / ₁₆ " (402)	70 ⁷ / ₁₆ " (1789)
Backer Panel	16 ⁷ / ₁₆ " (418)	71 ¹ / ₁₆ " (1805)

GRILLE	W	H
Flush Inset Panel	43" (1092)	7 ³ / ₄ " (197)
Spacer Panel	41 ¹ / ₈ " (1045)	6 ¹³ / ₁₆ " (173)
Backer Panel	41 ³ / ₄ " (1060)	7 ⁷ / ₁₆ " (189)

CL4250SD	W	H
Dispenser Cutout	6 ³ / ₈ " (162)	13" (330)
	A	B
Cutout Location	2 ¹ / ₈ " (54)	32 ³ / ₄ " (832)

MODEL CL4850S(ID), CL4850SD

REFRIGERATOR	W	H
Flush Inset Panel	29 ¹ / ₄ " (743)	71 ¹ / ₄ " (1810)
Spacer Panel	27 ⁷ / ₈ " (708)	70 ⁷ / ₁₆ " (1789)
Backer Panel	28 ¹ / ₂ " (724)	71 ¹ / ₁₆ " (1805)

FREEZER	W	H
Flush Inset Panel	19 ¹ / ₂ " (495)	71 ¹ / ₄ " (1810)
Spacer Panel	18 ¹ / ₈ " (460)	70 ⁷ / ₁₆ " (1789)
Backer Panel	18 ³ / ₄ " (476)	71 ¹ / ₁₆ " (1805)

GRILLE	W	H
Flush Inset Panel	49" (1245)	7 ³ / ₄ " (197)
Spacer Panel	47 ¹ / ₈ " (1197)	6 ¹³ / ₁₆ " (173)
Backer Panel	47 ³ / ₄ " (1213)	7 ⁷ / ₁₆ " (189)

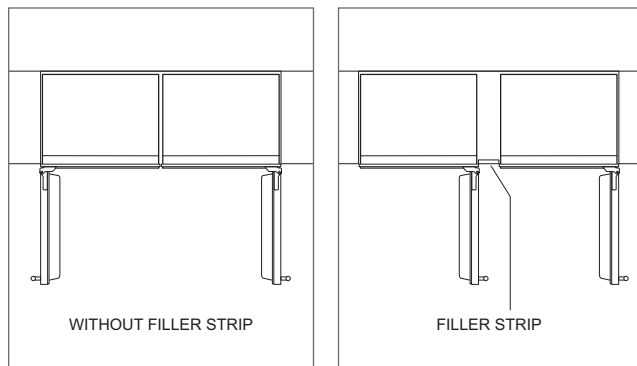
CL4850SD	W	H
Dispenser Cutout	6 ³ / ₈ " (162)	13" (330)
	A	B
Cutout Location	2 ¹ / ₈ " (54)	32 ³ / ₄ " (832)

Dual Installation

If two units are installed side by side, a dual installation kit may be required. Installations without a custom filler strip require a dual installation kit. If a dual installation kit is not specified, a 2" (51) filler strip is recommended between the units. A custom filler strip is required when installing two French door or side-by-side models. Dual installations without a filler strip can only be accomplished using two units with opposite hinges. Refer to the illustrations below.

Dual installation kits are available through an authorized Sub-Zero dealer. For local dealer information, visit the find a showroom section of our website, subzero.com. For questions regarding the installation, call Sub-Zero Customer Care at 800-222-7820.

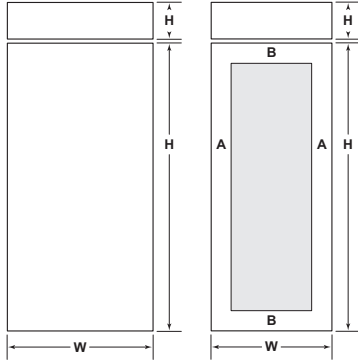
For dual standard installations, panel dimensions are the same as for single installations. Refer to the charts on pages 18–19. Panel dimensions for dual flush inset installations are listed on the following page.



Opposite hinges

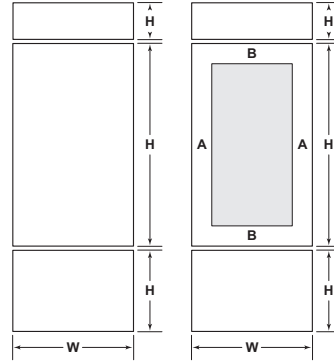
Same side hinges

Dual Flush Inset Panel Dimensions



CL3650R(ID),
CL3650F

CL3650RG



CL3050U(ID),
CL3650U(ID)

CL3050UG,
CL3650UG

MODEL CL3650R(ID), CL3650RG, CL3650F

REFRIGERATOR / FREEZER	W	H
Flush Inset Panel	36½" (927)	71¼" (1810)
Spacer Panel	35⅛" (892)	70⅞" (1789)
Backer Panel	35¾" (908)	71⅛" (1805)
GRILLE	W	H
Flush Inset Panel	36½" (927)	7¾" (197)
Spacer Panel	35⅛" (892)	6⅜" (173)
Backer Panel	35¾" (908)	7⅞" (189)
CL3650RG	A	B
Stiles / Rails	5¾" (146)	5¼" (133)

MODEL CL3050U(ID), CL3050UG

REFRIGERATOR	W	H
Flush Inset Panel	30½" (775)	50⅝" (1286)
Spacer Panel	29⅞" (740)	49⅜" (1265)
Backer Panel	29¾" (756)	50⅞" (1281)
FREEZER	W	H
Flush Inset Panel	30½" (775)	20" (508)
Spacer Panel	29⅞" (740)	19⅞" (484)
Backer Panel	29¾" (756)	19⅞" (500)
GRILLE	W	H
Flush Inset Panel	30½" (775)	7¾" (197)
Spacer Panel	29⅞" (740)	6⅜" (173)
Backer Panel	29¾" (756)	7⅞" (189)
CL3050UG	A	B
Stiles / Rails	5¾" (146)	5¼" (133)

MODEL CL3650U(ID), CL3650UG

REFRIGERATOR	W	H
Flush Inset Panel	36½" (927)	50⅝" (1286)
Spacer Panel	35⅛" (892)	49⅜" (1265)
Backer Panel	35¾" (908)	50⅞" (1281)
FREEZER	W	H
Flush Inset Panel	36½" (927)	20" (508)
Spacer Panel	35⅛" (892)	19⅞" (484)
Backer Panel	35¾" (908)	19⅞" (500)
GRILLE	W	H
Flush Inset Panel	36½" (927)	7¾" (197)
Spacer Panel	35⅛" (892)	6⅜" (173)
Backer Panel	35¾" (908)	7⅞" (189)
CL3650UG	A	B
Stiles / Rails	5¾" (146)	5¼" (133)

Dual Installation

DUAL FLUSH INSET PANEL OFFSET

The illustrations provide panel offsets and reveals for Classic Series models in a dual flush inset application. Refer to the chart below for reference to the illustrations.

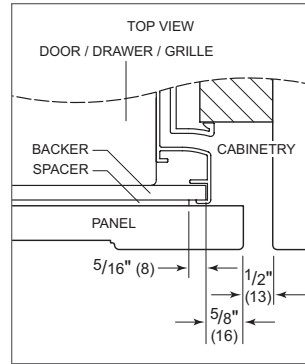
PANEL OFFSET

ALL REFRIGERATOR / ALL FREEZER

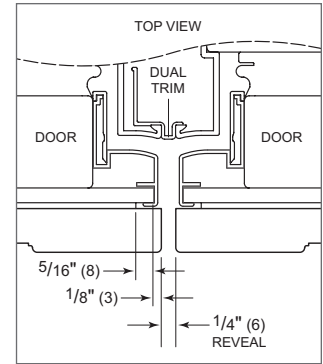
Door (hinge) / Grille Sides	A
Door (handle) Sides	B
Grille Top	C
Grille Bottom / Door Top	D
Door Bottom	F

OVER-AND-UNDER

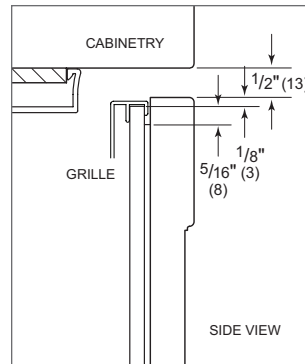
Door (hinge) / Drawer / Grille Sides	A
Door (handle) Sides	B
Grille Top	C
Grille Bottom / Door Top	D
Door Bottom / Drawer Top	E
Drawer Bottom	F



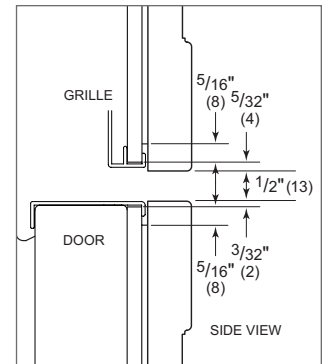
Illus. A



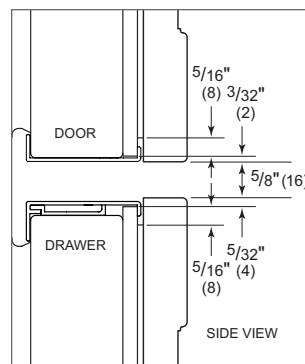
Illus. B



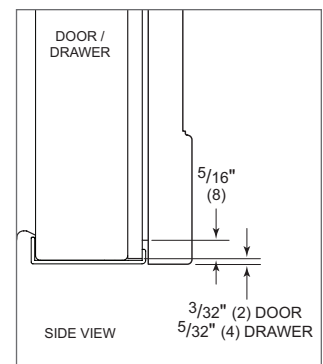
Illus. C



Illus. D



Illus. E



Illus. F

Dual Installation

DUAL WIDE GRILLE

A dual wide grille spans the entire width of both units in a dual installation and is a part of a dual installation kit.

For overlay and flush inset panel dimensions for the dual wide grille, refer to the charts below.

DUAL WIDE GRILLE—OVERLAY

TWO 30" MODELS	W	H
Overlay Panel	60 $\frac{1}{4}$ " (1530)	7 $\frac{3}{4}$ " (197)
Spacer Panel	59 $\frac{3}{8}$ " (1508)	6 $\frac{13}{16}$ " (173)
Backer Panel	60" (1524)	7 $\frac{7}{16}$ " (189)

30" AND 36" MODEL	W	H
Overlay Panel	66 $\frac{1}{4}$ " (1683)	7 $\frac{3}{4}$ " (197)
Spacer Panel	65 $\frac{3}{8}$ " (1661)	6 $\frac{13}{16}$ " (173)
Backer Panel	66" (1676)	7 $\frac{7}{16}$ " (189)

TWO 36" MODELS	W	H
Overlay Panel	72 $\frac{1}{4}$ " (1835)	7 $\frac{3}{4}$ " (197)
Spacer Panel	71 $\frac{3}{8}$ " (1813)	6 $\frac{13}{16}$ " (173)
Backer Panel	72" (1829)	7 $\frac{7}{16}$ " (189)

DUAL WIDE GRILLE—FLUSH INSET

TWO 30" MODELS	W	H
Flush Inset Panel	61 $\frac{1}{4}$ " (1556)	7 $\frac{3}{4}$ " (197)
Spacer Panel	59 $\frac{3}{8}$ " (1508)	6 $\frac{13}{16}$ " (173)
Backer Panel	60" (1524)	7 $\frac{7}{16}$ " (189)

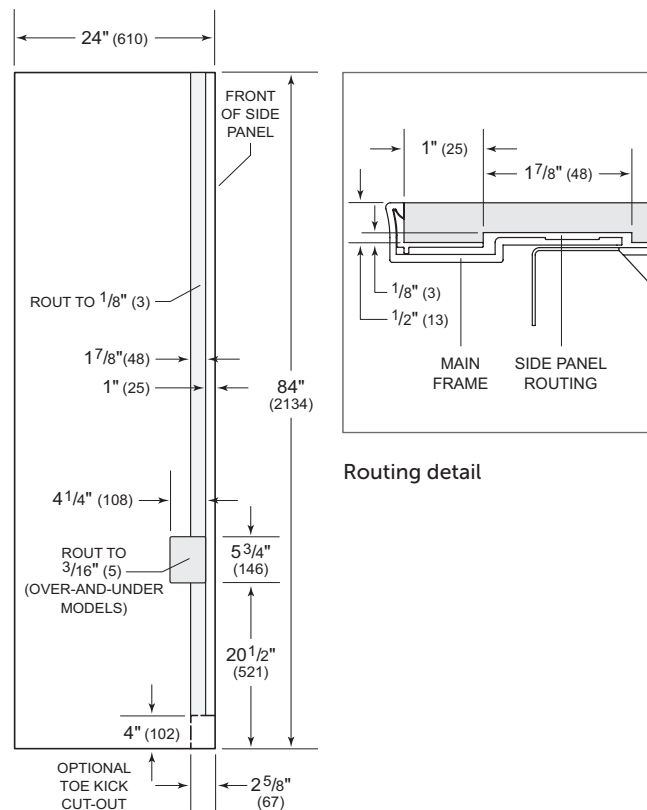
30" AND 36" MODEL	W	H
Flush Inset Panel	67 $\frac{1}{4}$ " (1708)	7 $\frac{3}{4}$ " (197)
Spacer Panel	65 $\frac{3}{8}$ " (1661)	6 $\frac{13}{16}$ " (173)
Backer Panel	66" (1676)	7 $\frac{7}{16}$ " (189)

TWO 36" MODELS	W	H
Flush Inset Panel	73 $\frac{1}{4}$ " (1861)	7 $\frac{3}{4}$ " (197)
Spacer Panel	71 $\frac{3}{8}$ " (1813)	6 $\frac{13}{16}$ " (173)
Backer Panel	72" (1829)	7 $\frac{7}{16}$ " (189)

Side Panel

The custom side panels must be a minimum of 24" (610) deep and $\frac{1}{2}$ " (13) thick. Routing will be necessary for the side panel to fit flush against the side of the unit. Refer to the illustrations below.

When installing a Classic Series unit with a custom side panel, an accessory kit is required. Stainless steel side panels are available through an authorized Sub-Zero dealer. For local dealer information, visit the find a showroom section of our website, subzero.com.



Side panel dimensions

Standard Handles

Optional stainless steel tubular and pro handles are available through an authorized Sub-Zero dealer. For local dealer information, visit the find a showroom section of our website, subzero.com.

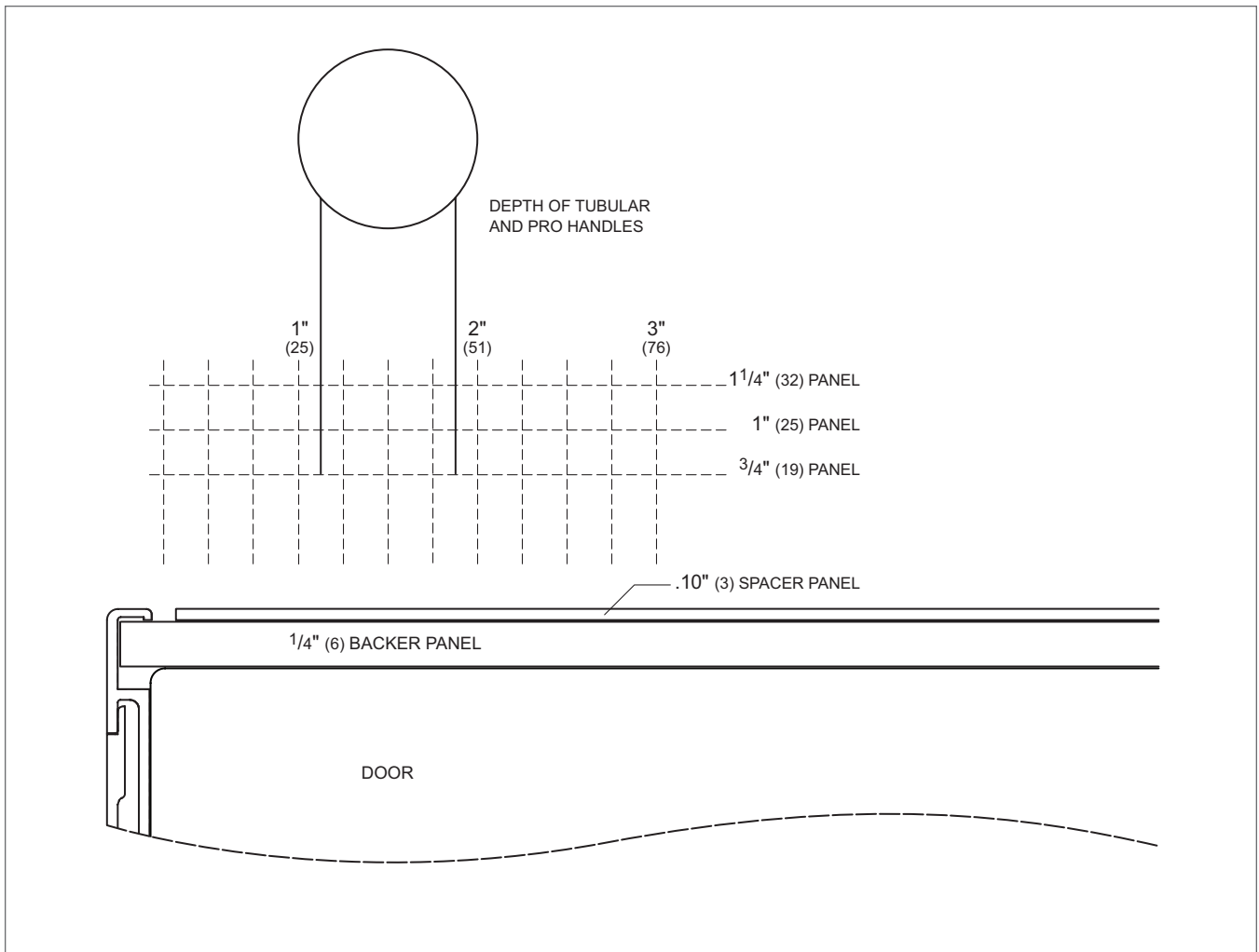
Refer to the chart below for standard handle lengths for Classic Series models.

HANDLE LENGTH	TUBULAR	PRO
Full Door	60 ³ / ₄ " (1543)	59 ¹¹ / ₁₆ " (1516)
Over-and-Under Door	40 ¹ / ₈ " (1019)	36 ¹ / ₁₆ " (916)
30" Drawer	25" (635)	24" (610)
36" Drawer	31" (787)	30" (762)
42" Drawer	37" (940)	36 ¹ / ₁₆ " (916)
48" Drawer	43" (1092)	42" (1067)

Overlay / Flush Inset Panels

FULL-SCALE TEMPLATE

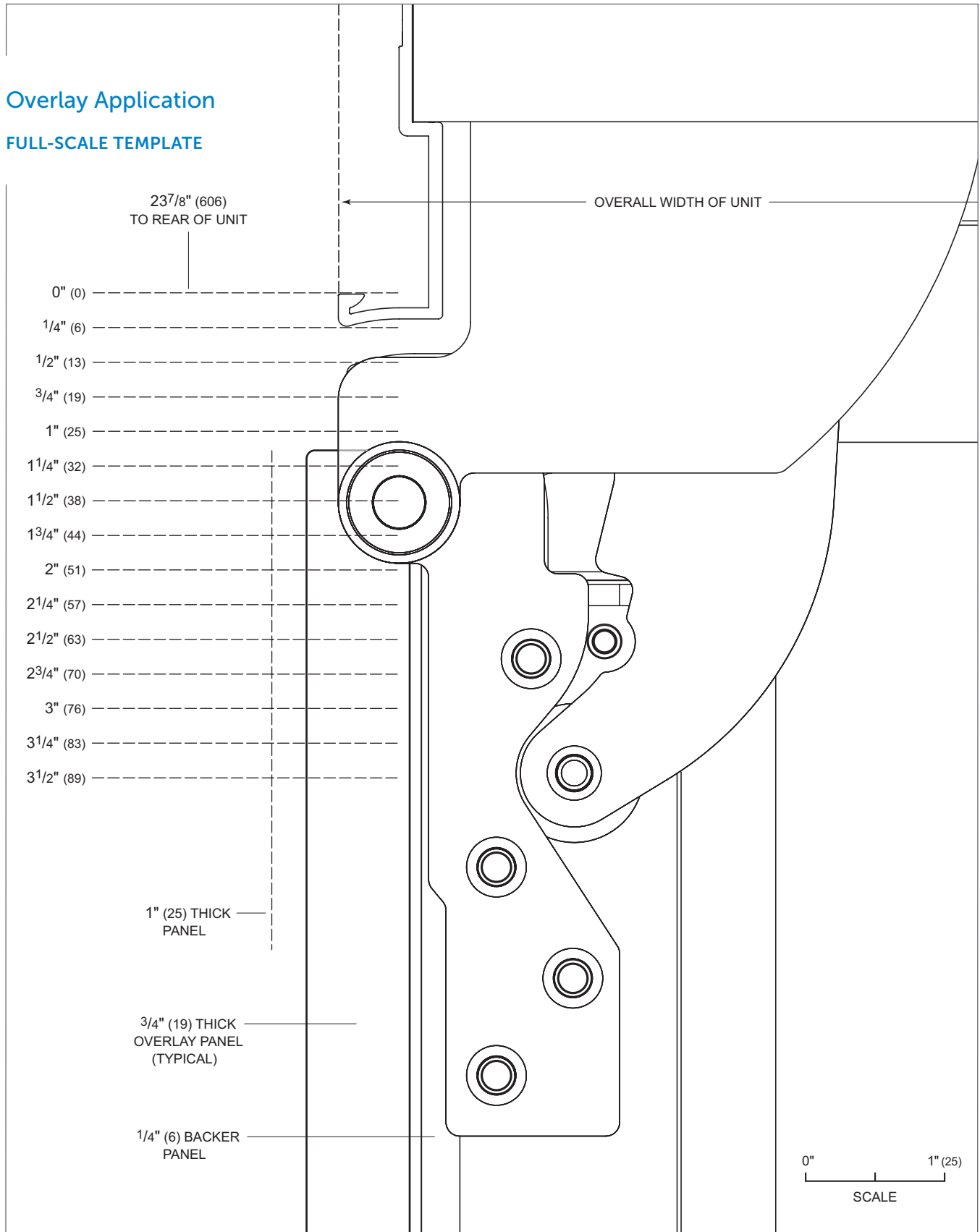
Overlay and flush inset panels must be a minimum of $\frac{3}{4}$ " (19) thick to support mounting the handle. Panel thickness does not include the backer and spacer panels. Mount the handle close to the opening edge of the door.



Overlay and flush inset panel thickness

Overlay Application

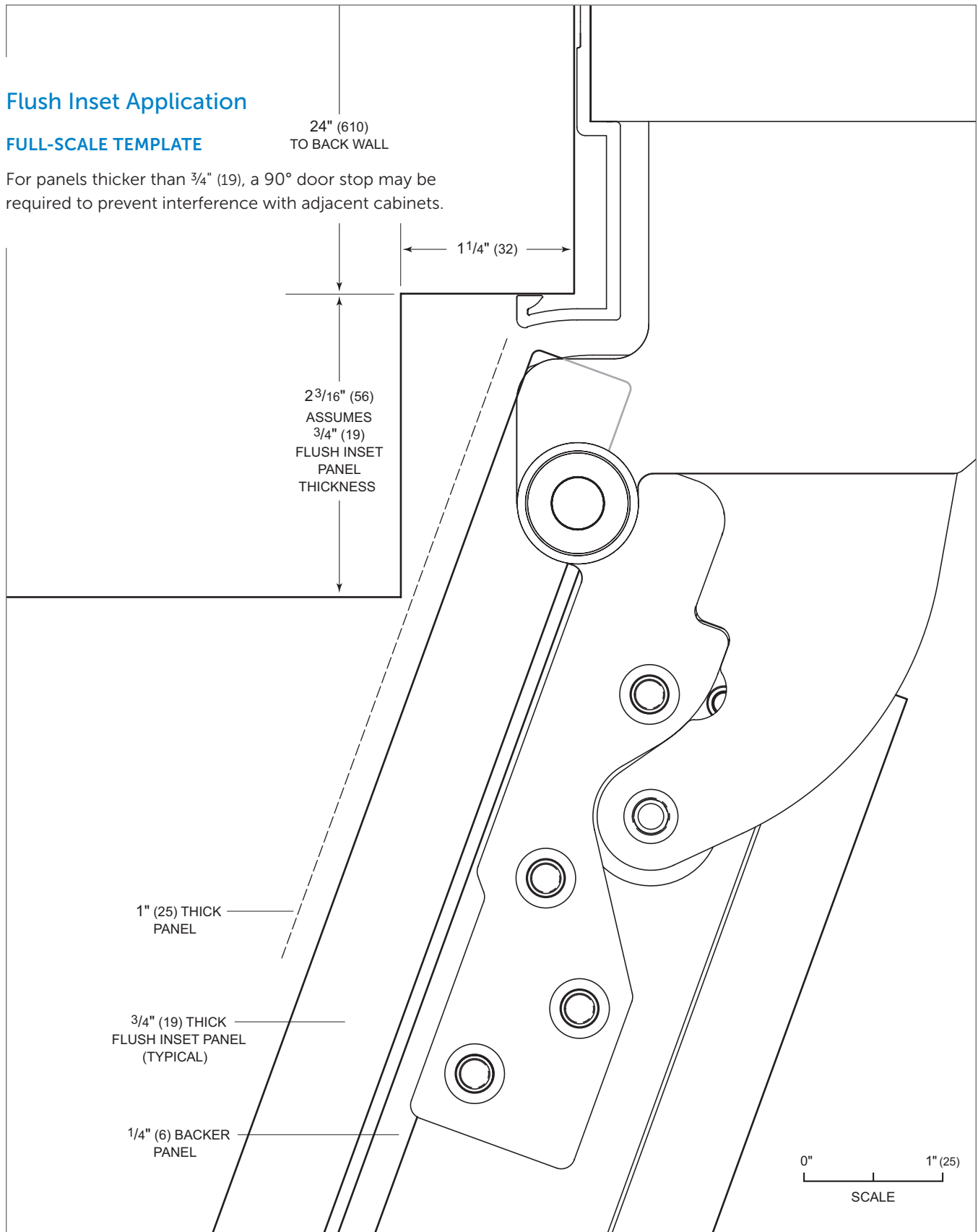
FULL-SCALE TEMPLATE

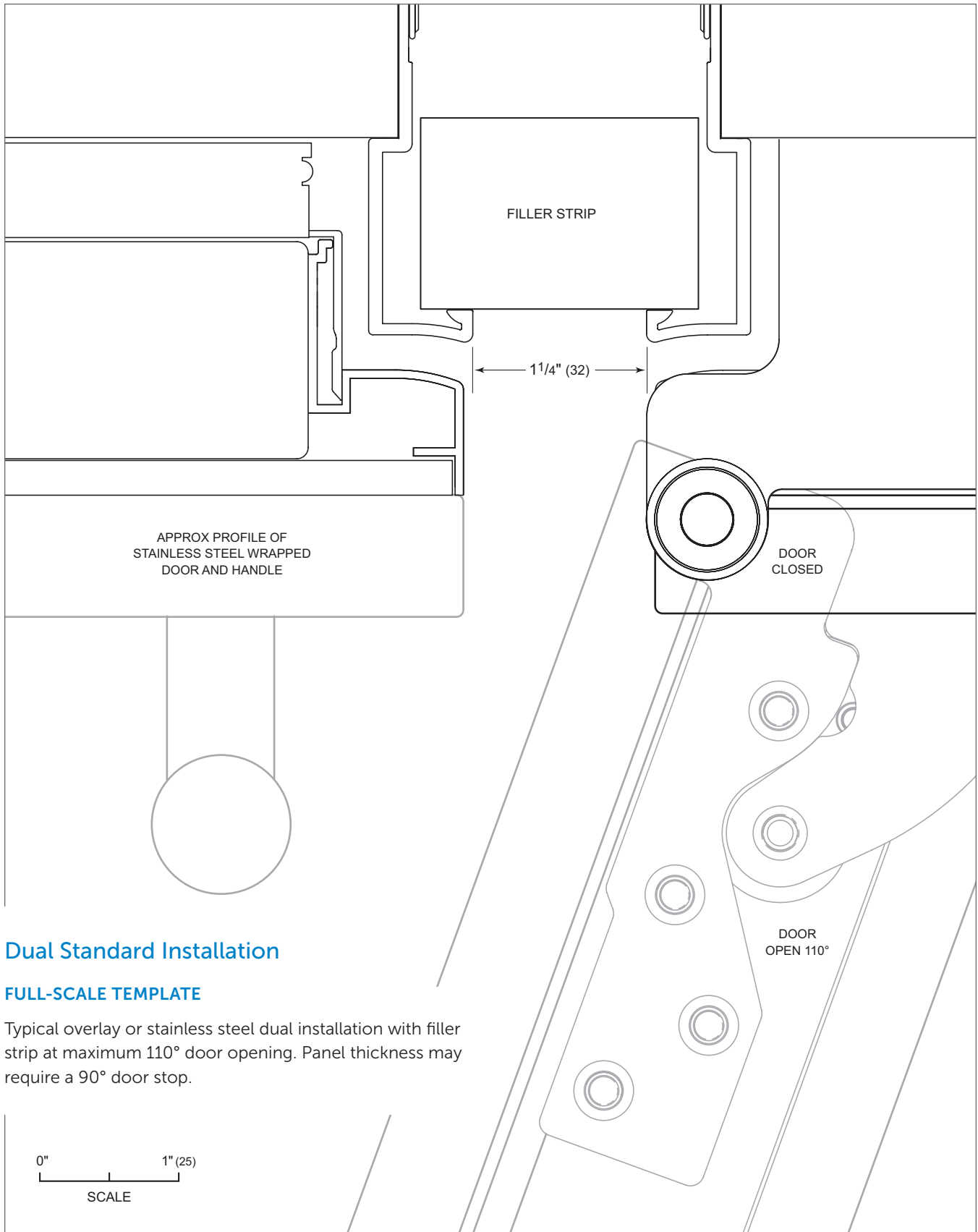


Flush Inset Application

FULL-SCALE TEMPLATE

For panels thicker than $\frac{3}{4}$ " (19), a 90° door stop may be required to prevent interference with adjacent cabinets.



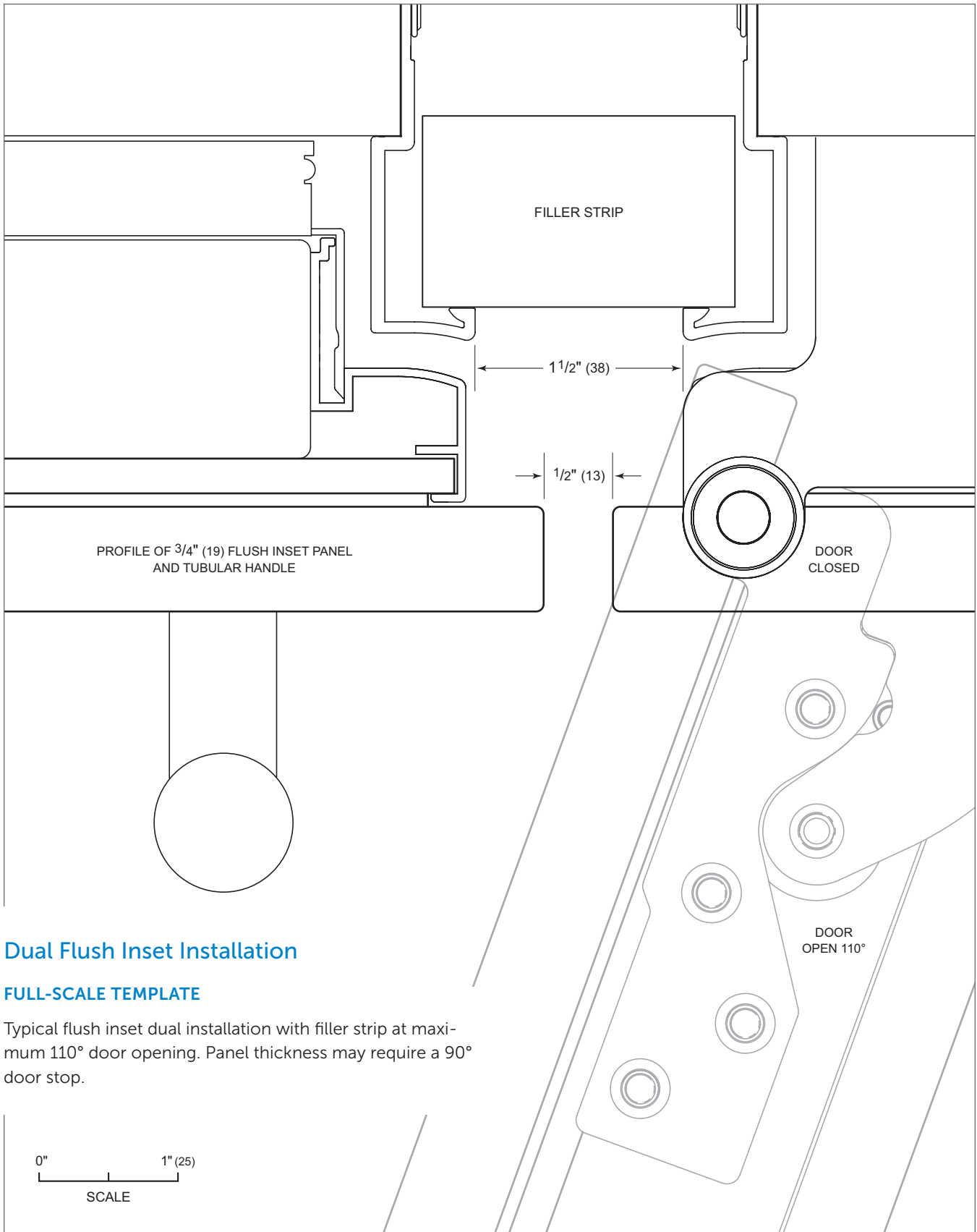


Dual Standard Installation

FULL-SCALE TEMPLATE

Typical overlay or stainless steel dual installation with filler strip at maximum 110° door opening. Panel thickness may require a 90° door stop.

Dual standard installation (top view)



Dual Flush Inset Installation

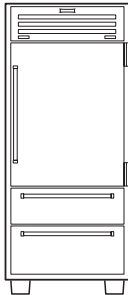
FULL-SCALE TEMPLATE

Typical flush inset dual installation with filler strip at maximum 110° door opening. Panel thickness may require a 90° door stop.

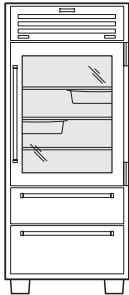
Dual flush inset installation (top view)

PRO Series Refrigeration

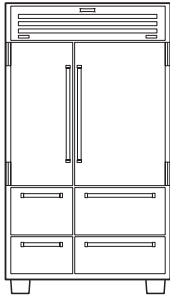
MODELS



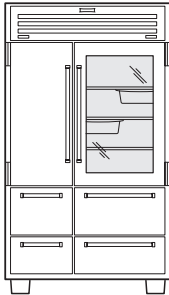
PRO3650



PRO3650G



PRO4850

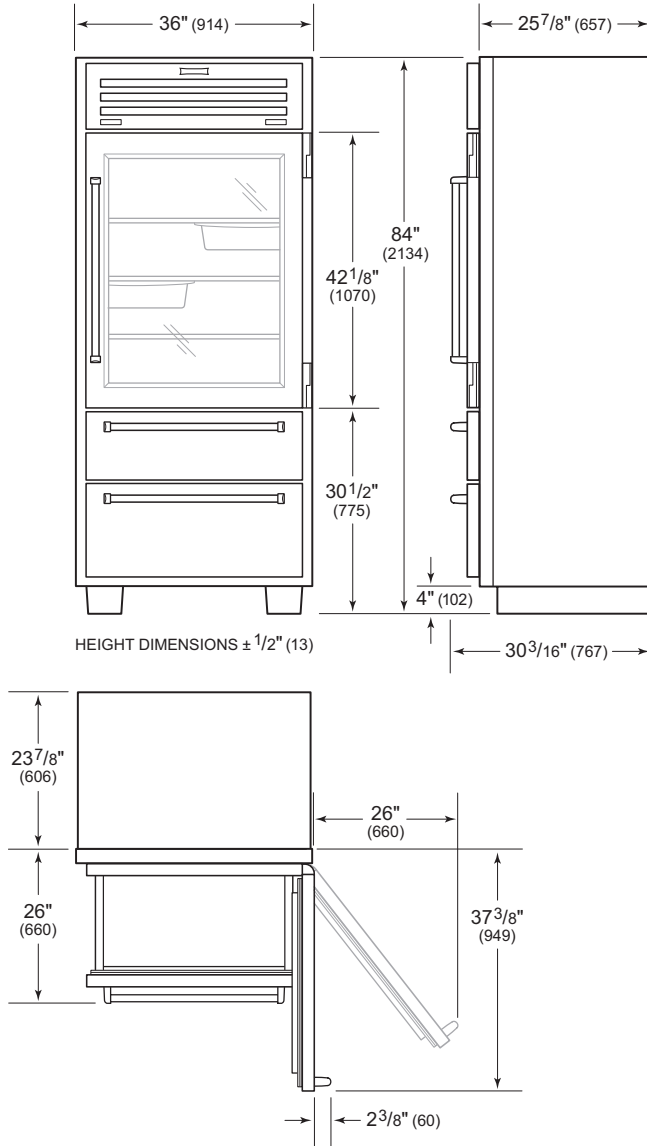


PRO4850G



Overall Dimensions

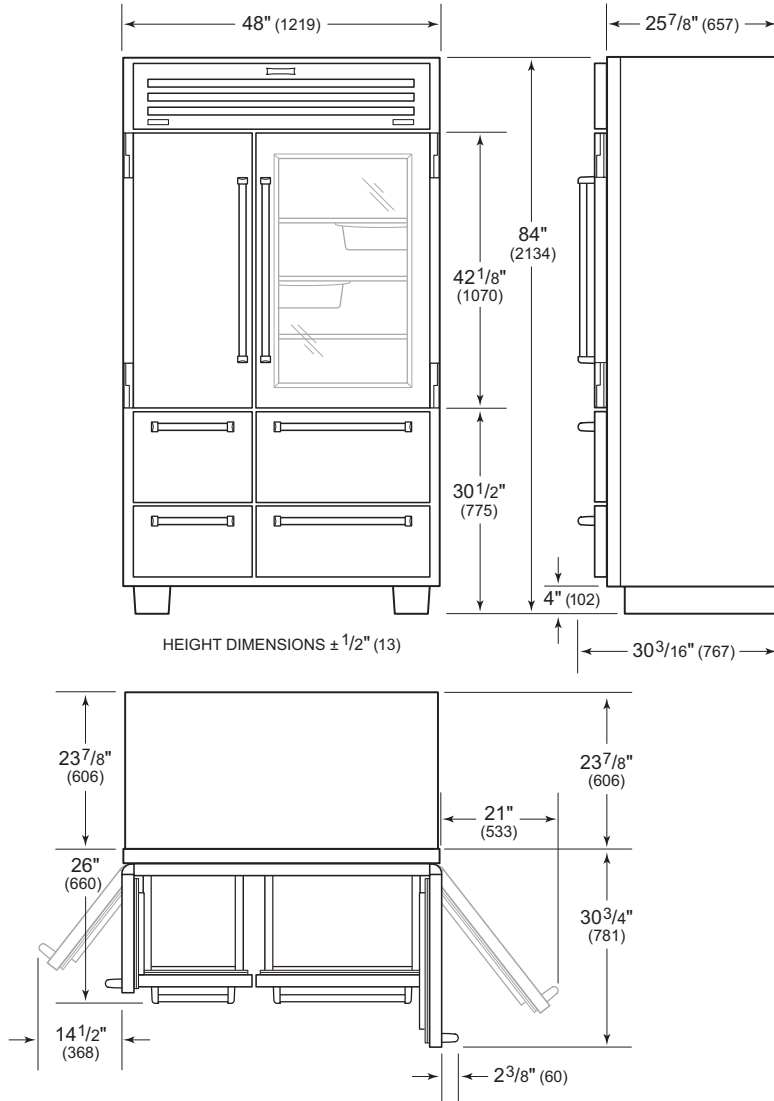
36" MODEL



Model PRO3650 / PRO3650G

Overall Dimensions

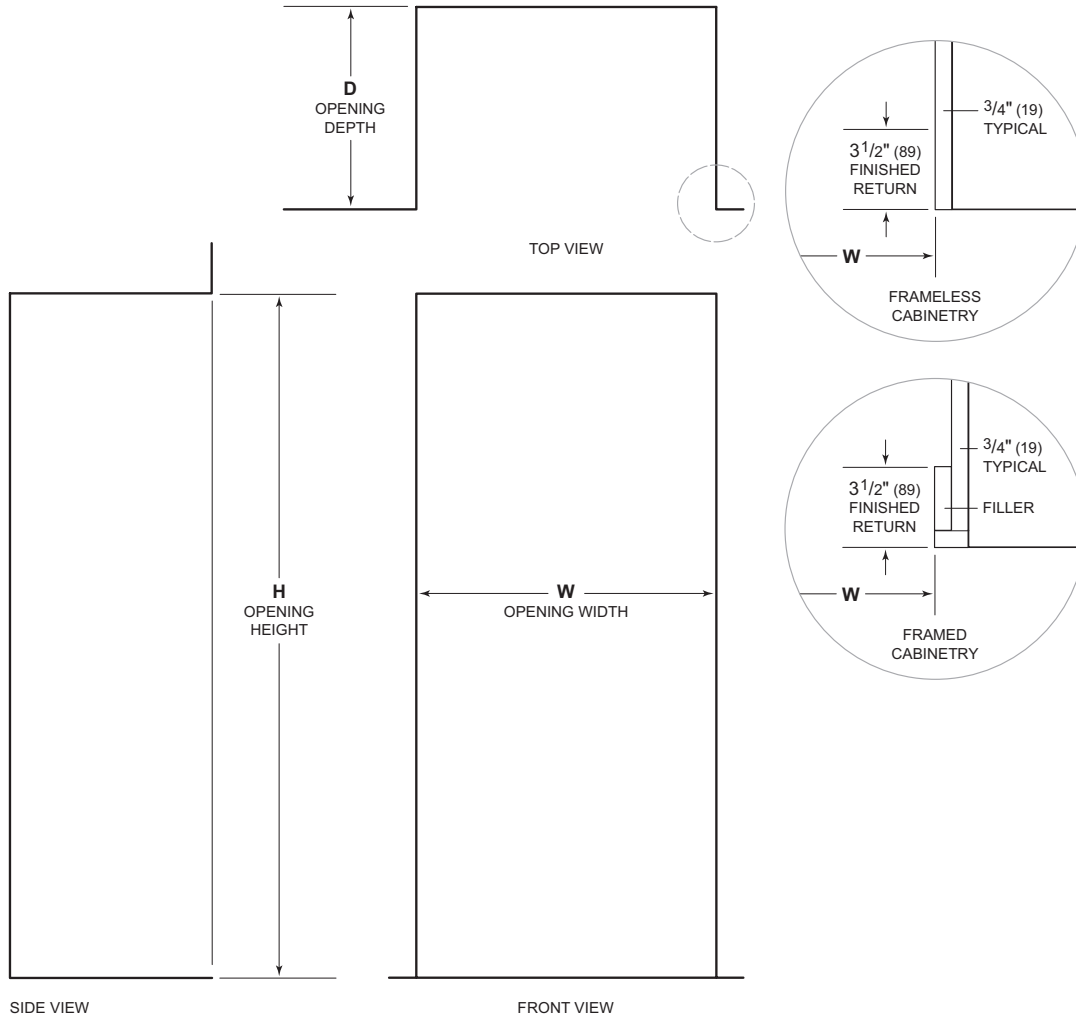
48" MODEL



Model PRO4850 / PRO4850G

Opening Dimensions

STANDARD / FLUSH INSTALLATION



NOTE: 3 1/2" (89) finished returns will be visible and should be finished to match cabinetry.

STANDARD OPENING	W	H	D
36" Model	35 1/2" (902)	83 3/4" (2127)	24" (610)
48" Model	47 1/2" (1206)	83 3/4" (2127)	24" (610)

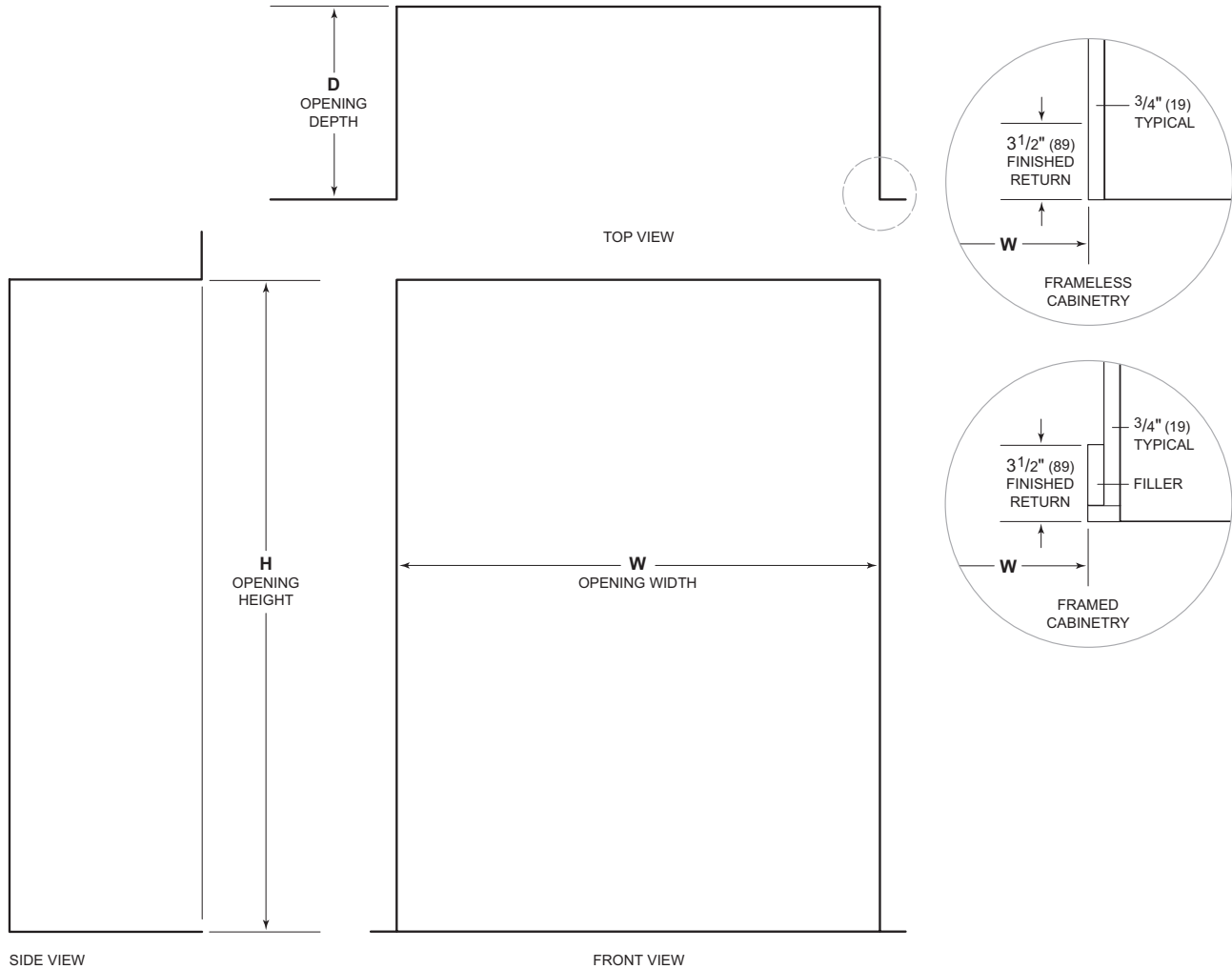
For standard installations, the face frame will extend 2" (51) beyond cabinetry.

FLUSH OPENING	W	H	D
36" Model	36" (914)	84 1/8" (2137)	26" (660)
48" Model	48" (1219)	84 1/8" (2137)	26" (660)

For flush installations, the face frame will be flush with surrounding cabinetry.

Opening Dimensions

DUAL STANDARD / FLUSH INSTALLATION



NOTE: 3 1/2" (89) finished returns will be visible and should be finished to match cabinetry.

DUAL STANDARD OPENING	W	H	D
Two 36" Models	71 1/2" (1816)	83 3/4" (2127)	24" (610)

For standard installations, the face frame will extend 2" (51) beyond cabinetry. A dual installation kit is required for this installation.

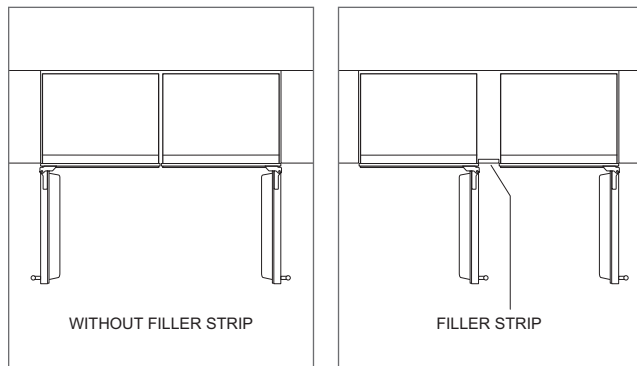
DUAL FLUSH OPENING	W	H	D
Two 36" Models	72" (1829)	84 1/8" (2137)	26" (660)

For flush installations, the face frame will be flush with surrounding cabinetry. A dual installation kit is required for this installation.

Dual Installation

If two units are installed side by side, a dual installation kit may be required. Installations without a custom filler strip require a dual installation kit. If a dual installation kit is not specified, a 2" (51) filler strip is recommended between the units. Dual installations without a filler strip can only be accomplished using two units with opposite hinges. Refer to the illustrations below.

Dual installation kits are available through an authorized Sub-Zero dealer. For local dealer information, visit the find a showroom section of our website, subzero.com. For questions regarding the installation, call Sub-Zero Customer Care at 800-222-7820.



Opposite hinges

Same side hinges

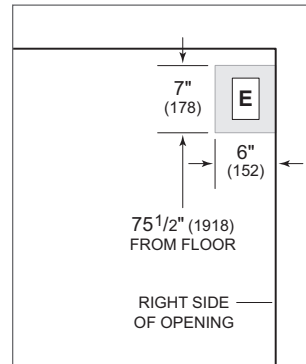
Electrical Requirements

Locate the electrical supply within the shaded area shown in the illustration below. A separate circuit servicing only this appliance is required. A ground fault circuit interrupter (GFCI) is not recommended and may cause interruption of operation.

Installation must comply with all applicable electrical codes.

ELECTRICAL REQUIREMENTS

Electrical Supply	115 VAC, 60 Hz
Service	15 amp dedicated circuit
Receptacle	3-prong grounding-type



Electrical supply location

Plumbing Requirements

Locate the water supply line within the shaded area shown in the illustration below. Connect the water supply line to the house supply with an easily accessible shut-off valve. Do not use self-piercing valves. The water supply line must not interfere with the installation of the anti-tip bracket.

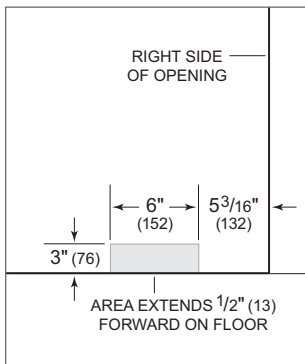
A reverse osmosis system can be used provided there is constant water pressure of 35–120 psi (2.4–8.3 bar) supplied to the unit at all times. In this application, the water filtration system must be bypassed by removing the filter.

A copper line is not recommended for this application.

Installation must comply with all applicable plumbing codes.

PLUMBING REQUIREMENTS

Water Supply	1/4" OD copper, braided stainless steel, or PEX tubing
Pressure	35–120 psi (2.4–8.3 bar)
Excess Line for Connection	36" (914)



Water supply location

Standard Handles

Optional stainless steel pro handles are available through an authorized Sub-Zero dealer. For local dealer information, visit the find a showroom section of our website, subzero.com.

Refer to the chart below for standard handle lengths for PRO Series models.

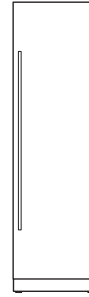
HANDLE LENGTH	36" MODEL	48" MODEL
Door	27 ¹¹ / ₁₆ " (703)	27 ¹¹ / ₁₆ " (703)
Refrigerator Drawer	26 ³ / ₁₆ " (665)	19 ¹⁵ / ₁₆ " (506)
Freezer Drawer	26 ³ / ₁₆ " (665)	11 ⁹ / ₁₆ " (294)

Designer Series Refrigeration

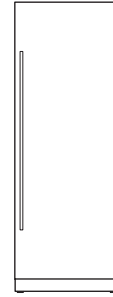
COLUMN MODELS



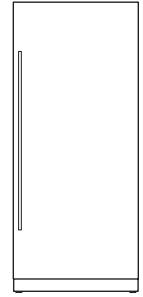
DEC1850FI



DEC2450R
DEC2450FI



DEC3050R(ID)
DEC3050FI



DEC3650C(I)(ID)
DEC3650FI

TALL MODELS

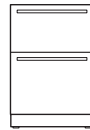


DET3050R(ID)
DET3050C(I)(ID)
DET3050FI



DET3650R(ID)
DET3650C(I)(ID)

DRAWER MODELS



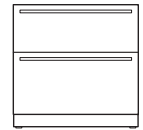
ID-24R
ID-24F(I)
ID-24RO



ID-27R



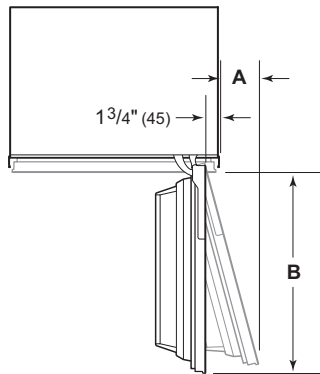
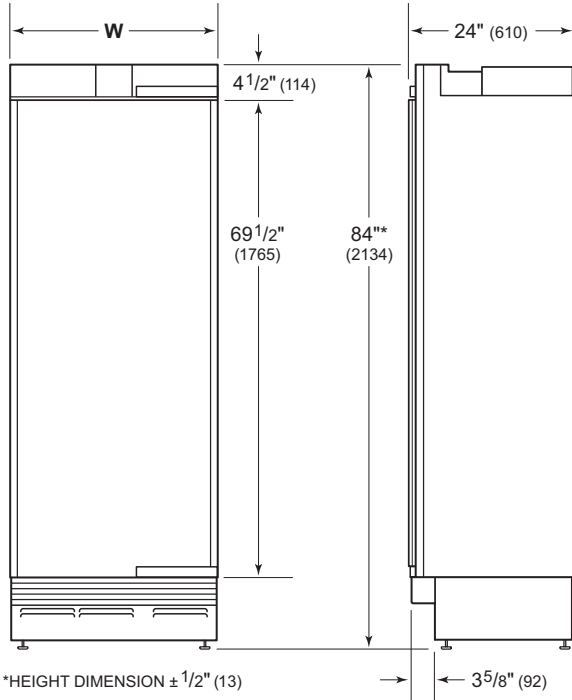
ID-30R(P)
ID-30F(I)
ID-30C(I)



ID-36R(P)
ID-36C(I)

Overall Dimensions

COLUMN



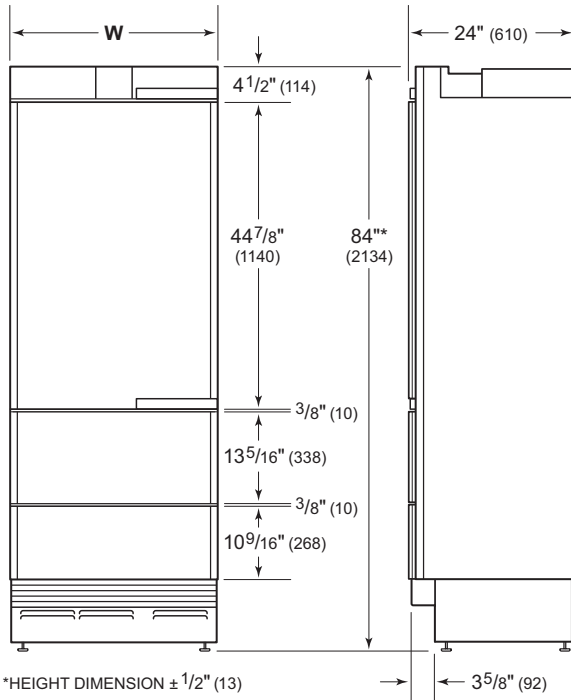
COLUMN

COLUMN	W	A	B
18" Column	18" (457)	2½" (64)	16½" (419)
24" Column	24" (610)	4" (102)	22½" (572)
30" Column	30" (762)	5⅝" (143)	28½" (724)
36" Column	36" (914)	7¼" (184)	34½" (876)

IMPORTANT NOTE: Overall dimensions do not include panels or handles. Dimensions will vary with panel thickness.

Overall Dimensions

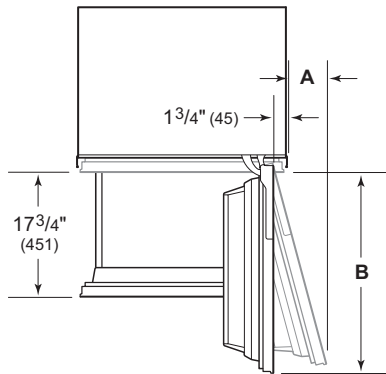
TALL



TALL

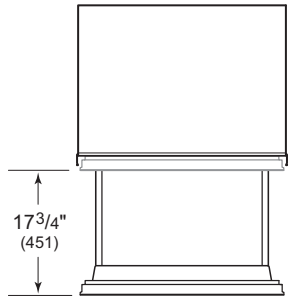
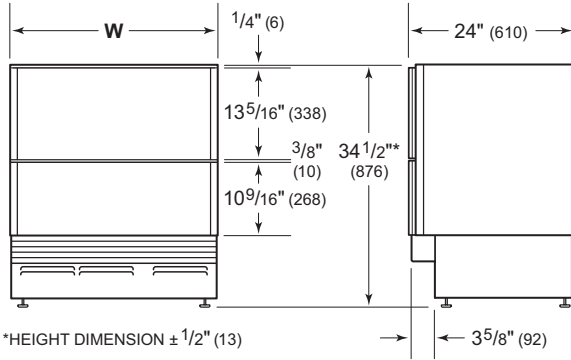
	W	A	B
30" Tall	30" (762)	5 5/8" (143)	28 1/2" (724)
36" Tall	36" (914)	7 1/4" (184)	34 1/2" (876)

IMPORTANT NOTE: Overall dimensions do not include panels or handles. Dimensions will vary with panel thickness.



Overall Dimensions

DRAWER



DRAWER

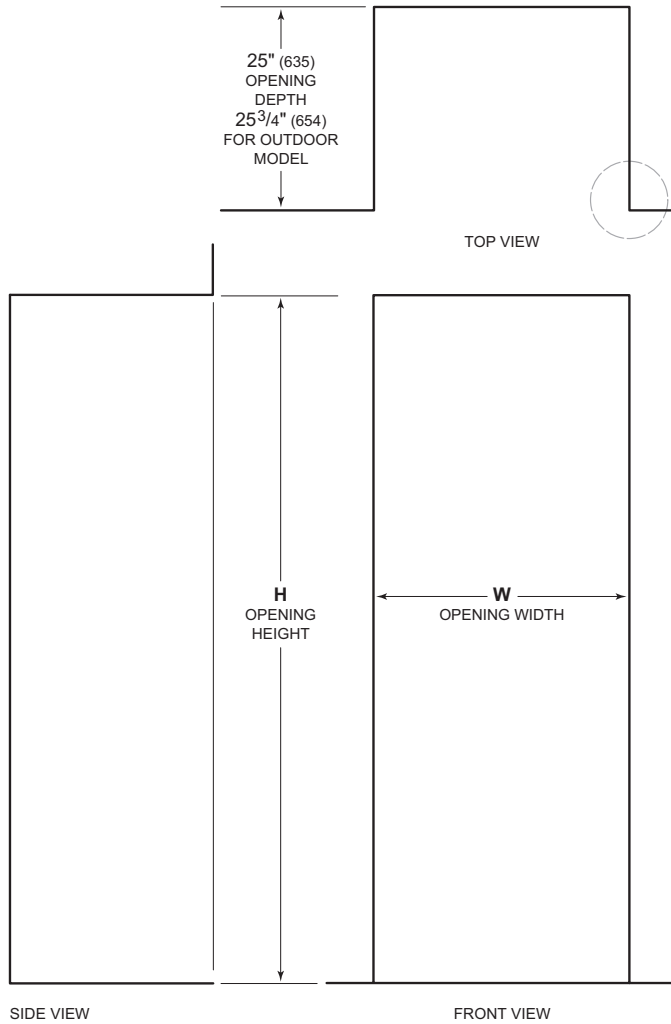
W

24" Drawer	24" (610)
27" Drawer	27" (686)
30" Drawer	30" (762)
36" Drawer	36" (914)

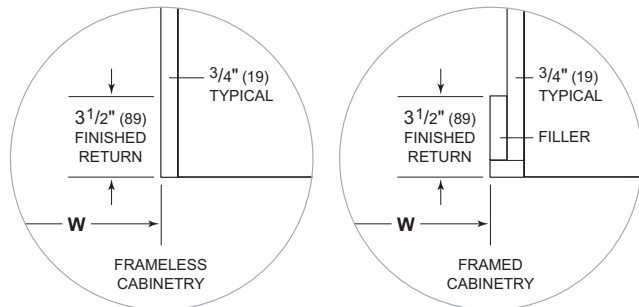
IMPORTANT NOTE: Overall dimensions do not include panels or handles. Dimensions will vary with panel thickness.

Opening Dimensions

DESIGNER SERIES



NOTE: 3 1/2" (89) finished returns will be visible and should be finished to match cabinetry—4 1/2" (114) for outdoor model.



OPENING DIMENSIONS

COLUMN / TALL	W	H
18" Column	18" (457)	84" (2134)
24" Column	24" (610)	84" (2134)
30" Column / Tall	30" (762)	84" (2134)
36" Column / Tall	36" (914)	84" (2134)
DRAWER	W	H
24" Drawer	24" (610)	34 1/2" (876)
27" Drawer	27" (686)	34 1/2" (876)
30" Drawer	30" (762)	34 1/2" (876)
36" Drawer	36" (914)	34 1/2" (876)

*For stainless steel side panel accessory, add 1" (25) per panel to opening width.

The depth of each Designer Series model is 24" (610). Allow for panel thickness when planning the finished opening depth. A minimum 3 1/2" (89) finished return is required on all sides of the opening—4 1/2" (114) for the outdoor model. Framed cabinets require additional finished filler material behind the face frame for a proper installation. Refer to the illustration.

DUAL INSTALLATION

When installing two units side by side in a dual installation, the opening width is the width of the two units added together. A dual installation kit is required for this installation. If a dual installation kit is not specified, a minimum 2" (51) filler strip is required between the units.

Dual installation kits are available through an authorized Sub-Zero dealer. For questions regarding the installation, call Sub-Zero Customer Care at 800-222-7820.

Electrical Requirements

Locate the electrical supply within the shaded area shown in the illustration and chart below. A separate circuit servicing only this appliance is required.

IMPORTANT NOTE: For indoor models, a ground fault circuit interrupter (GFCI) is not recommended and may cause interruption of operation.

For the outdoor model, a ground fault circuit interrupter (GFCI) is required to reduce the risk of electrical shock.

The electrical outlet must be positioned with the grounding prong to the right of the thinner blades.

Installation must comply with all applicable electrical codes.

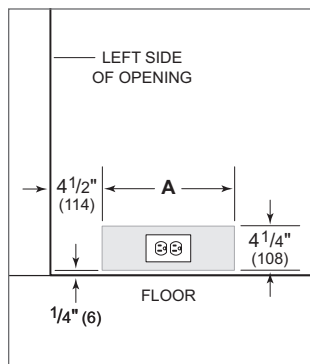
ELECTRICAL REQUIREMENTS

Electrical Supply	115 VAC, 60 Hz
Service	15 amp dedicated circuit
Receptacle	3-prong grounding-type

ELECTRICAL SUPPLY LOCATION

A

18" Model	6" (152)
24" Model	9½" (241)
27" Model	11" (279)
30" Model	12½" (318)
36" Model	15½" (394)



Electrical supply location

Plumbing Requirements

Locate the water supply line within the shaded area shown in the illustration below. Connect the water supply line to the house supply with an easily accessible shut-off valve. Do not use self-piercing valves. The water supply line must not interfere with the installation of the anti-tip bracket.

Column and tall models with an ice maker or water dispenser feature a water filtration system. An in-line filter is required for drawer models with an ice maker when water conditions have a high sediment content.

A reverse osmosis system can be used provided there is constant water pressure of 35–120 psi (2.4–8.3 bar) supplied to the unit at all times. A copper line is not recommended for this application.

Installation must comply with all applicable plumbing codes.

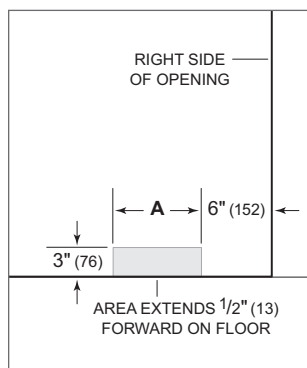
PLUMBING REQUIREMENTS

Water Supply Line	1/4" OD copper, braided stainless steel, or PEX tubing
Water Pressure	35–120 psi (2.4–8.3 bar)
Excess Water Line for Connection	36" (914)

WATER SUPPLY LOCATION

A

18" Model	3" (76)
24" Model	5 1/2" (140)
30" Model	6" (152)
36" Model	9" (229)



Water supply location

Stainless Steel Panels

The outdoor model requires the use of Sub-Zero stainless steel outdoor accessory panels.

The thickness of indoor stainless steel panels is $\frac{3}{4}$ " (19) and outdoor stainless steel panels is $1\frac{1}{2}$ " (38). The depth of each Designer Series model is 24" (610). Allow for panel thickness when planning the finished opening depth.

Reveals of $\frac{1}{8}$ " (3) are typical, however, the reveal between the upper and lower outdoor stainless steel panels is $\frac{1}{4}$ " (6) to accommodate the lock.

Custom Panels

For Designer Series models, custom door/drawer panels and handle hardware must be provided.

The thickness of the custom panel can vary. A minimum $\frac{5}{8}$ " (16) thick panel is required, but the thickness can be increased provided it does not exceed the maximum panel weight indicated in the chart below. The depth of each Designer Series model is 24" (610). Allow for panel thickness when planning the finished opening depth. Refer to the full-scale template on page 53.

PANEL REQUIREMENTS

WEIGHT PER PANEL	MAX
18" Column	45 lb (20 kg)
24" Column	60 lb (27 kg)
30" Column	75 lb (34 kg)
36" Column	75 lb (34 kg)
WEIGHT PER PANEL	MAX
30" Tall (door)	50 lb (22 kg)
36" Tall (door)	60 lb (27 kg)
Drawer	15 lb (7 kg)
PANEL THICKNESS	MIN
All Panels	$\frac{5}{8}$ " (16)

Reveals between panels can vary, $\frac{1}{8}$ " (3) reveals are typical.

⚠ CAUTION

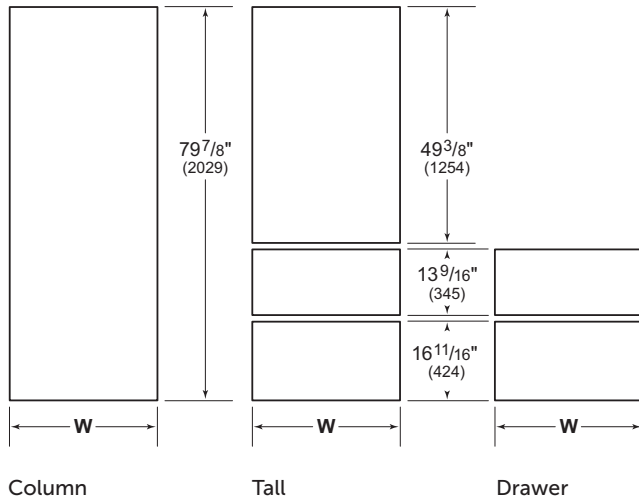
As reveals between cabinetry and the unit decrease, severe finger pinching can occur while the door is closing.

Finish all sides of the custom panels. They will be visible when the door/drawer is open.

D-style handles are recommended. Locate the door handle near the edge of the panel opposite the hinge and centered top to bottom. Locate the drawer handles near the top edge of each panel. Stainless steel tubular and pro handles are available through an authorized Sub-Zero dealer. For local dealer information, visit the find a showroom section of our website, subzero.com.

Custom Panels

TYPICAL PANEL DIMENSIONS



Typical panel dimensions are based on an 84" (2134) finished height for column and tall models and 34 1/2" (876) for drawer models, with a 4" (102) toe kick and 1/8" (3) reveals. Panel dimensions must be adjusted accordingly for all other installations. Refer to the illustration for panel height and the chart below for panel width.

PANEL WIDTH	W
18" Model	17 3/4" (451)
24" Model	23 3/4" (603)
27" Model	26 3/4" (679)
30" Model	29 3/4" (756)
36" Model	35 3/4" (908)

DUAL INSTALLATION

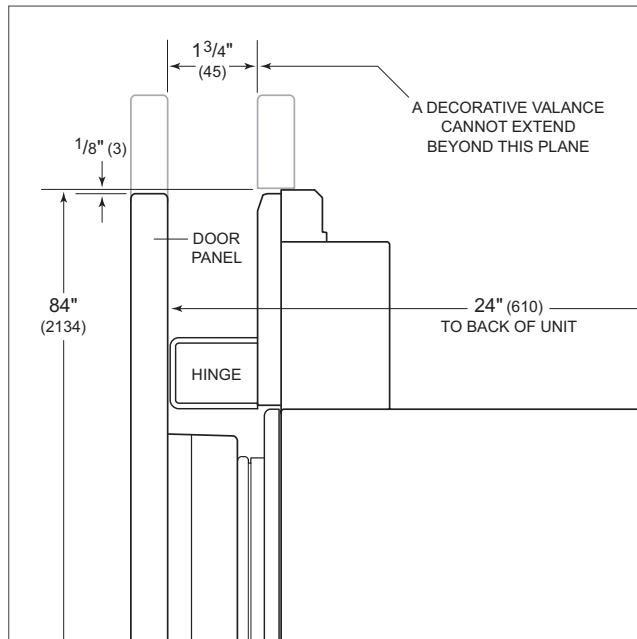
For dual installations, refer to the illustration for panel height and the chart below for panel width.

PANEL WIDTH	W
18" Model	17 13/16" (452)
24" Model	23 13/16" (605)
27" Model	26 13/16" (681)
30" Model	29 13/16" (757)
36" Model	35 13/16" (910)

Custom Panels

DOOR PANEL HEIGHT

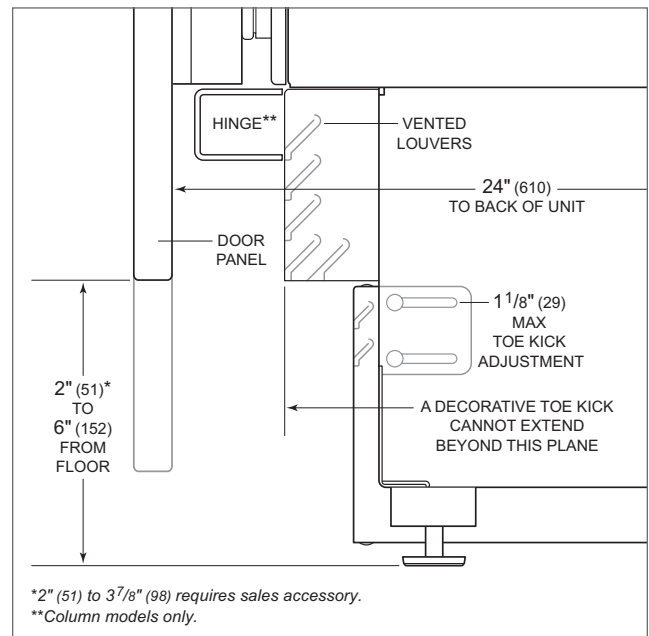
The height of the custom door panel can extend beyond the typical panel height, provided it does not exceed the weight limit. Refer to the illustration below.



Upper valance—column and tall (side view)

TOE KICK CLEARANCE

For indoor models only, the height of the toe kick area can extend beyond the typical toe kick height, provided it does not exceed the dimensions in the illustration below. Toe kick heights from 2" (51) to 3 7/8" (98) require a reduced toe kick accessory available through an authorized Sub-Zero dealer. For questions regarding the installation, call Sub-Zero Customer Care at 800-222-7820.



Toe kick (side view)

Standard Handles

Optional stainless steel tubular and pro handles are available through an authorized Sub-Zero dealer. For local dealer information, visit the find a showroom section of our website, subzero.com.

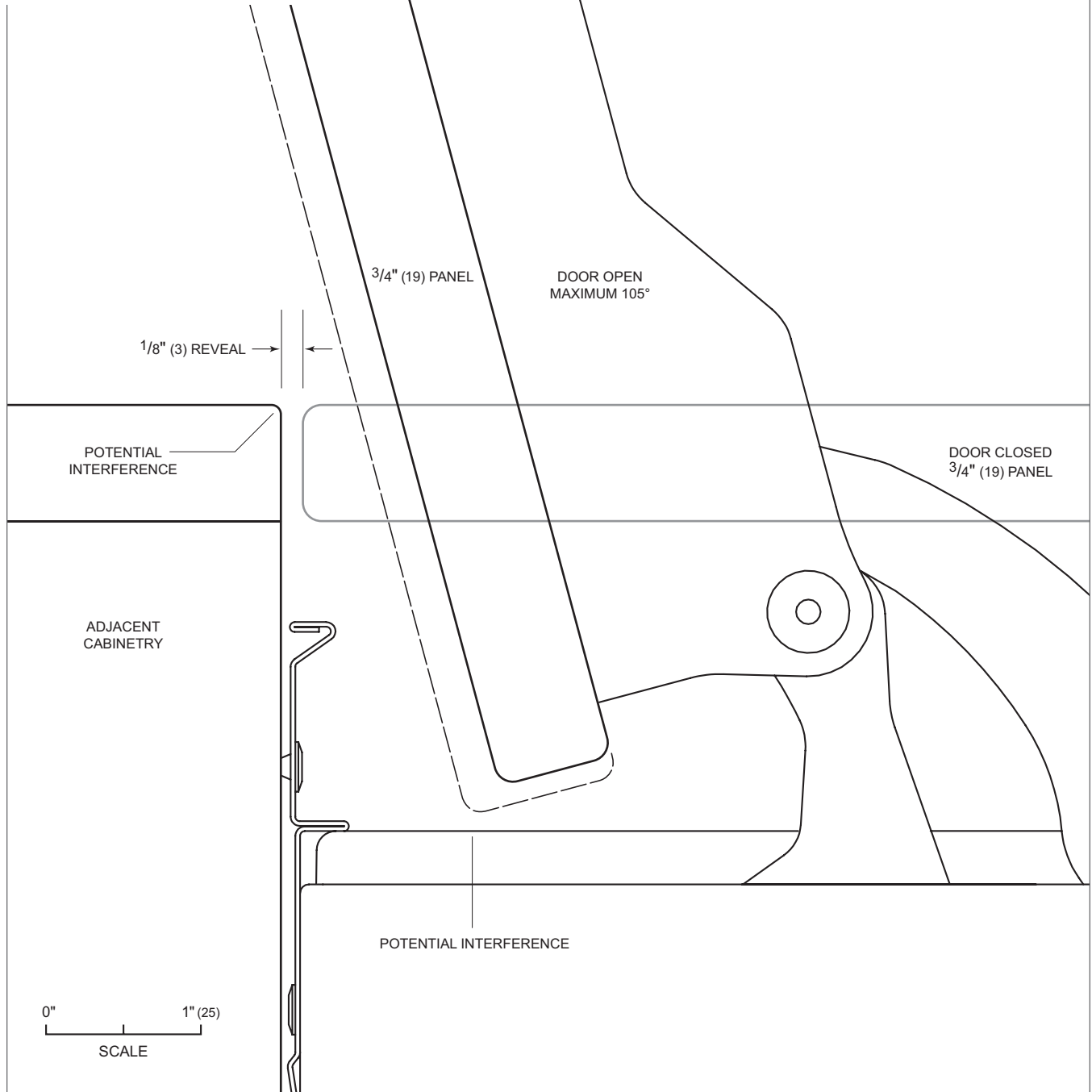
Refer to the chart below for standard handle lengths for Designer Series models.

HANDLE LENGTH	TUBULAR	PRO
Column Door	50 ¹ / ₈ " (1273)	48 ³ / ₈ " (1229)
Tall Door	33 ¹ / ₄ " (845)	31 ¹ / ₂ " (800)
24" Drawer	21 ¹ / ₄ " (540)	19 ¹ / ₂ " (495)
27" Drawer	24 ¹ / ₄ " (616)	22 ¹ / ₂ " (572)
30" Drawer	27 ¹ / ₄ " (692)	25 ¹ / ₂ " (648)
36" Drawer	33 ¹ / ₄ " (845)	31 ¹ / ₂ " (800)

Maximum Door Opening

FULL-SCALE TEMPLATE

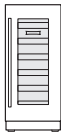
As the panel width and/or depth increases, so does the potential for panel interference. Interference may be minimized by using the 90° door stop.



Maximum door opening (top view)

Wine Storage

MODELS



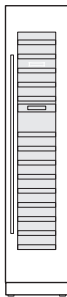
DEU1550W



DEU2450W



DEU2450WADA



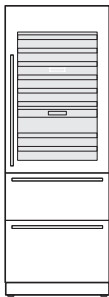
DEC1850W



DEC2450W



DEC3050W



DET3050WR

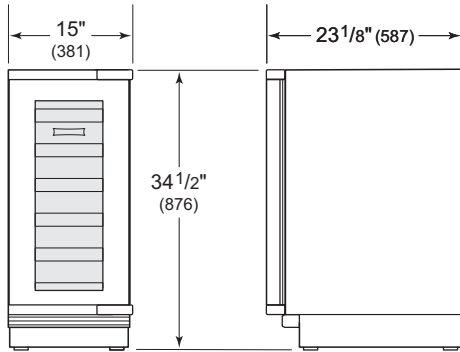


CL3050W

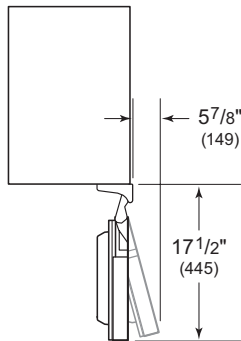


Overall Dimensions

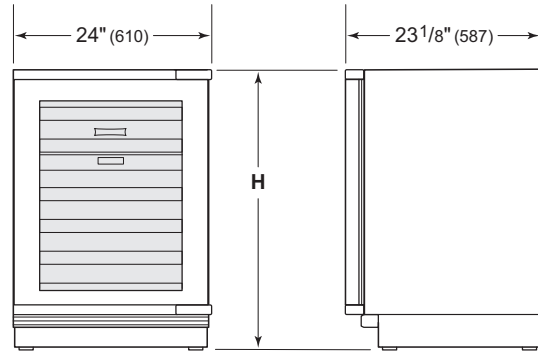
15" UNDERCOUNTER WINE



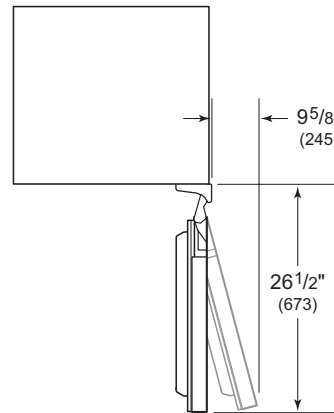
HEIGHT DIMENSIONS $\pm 1/2"$ (13)



24" UNDERCOUNTER WINE



HEIGHT DIMENSIONS $\pm 1/2"$ (13)



IMPORTANT NOTE: Overall dimensions do not include panels or handles. Dimensions will vary with panel thickness.

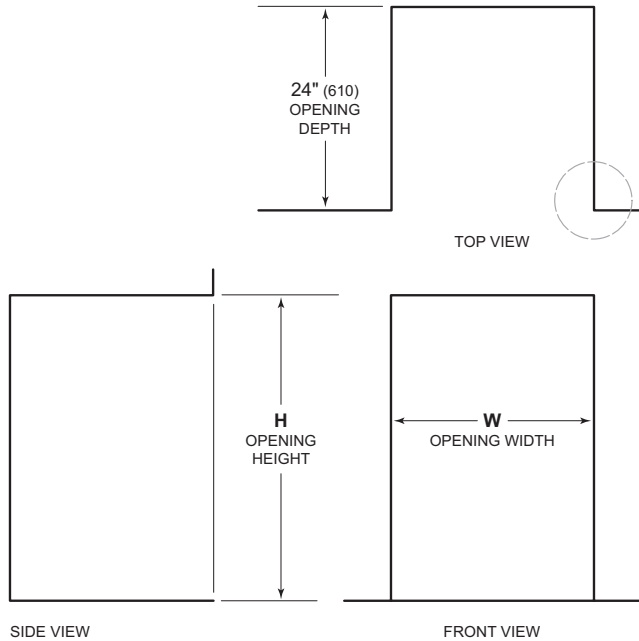
OVERALL HEIGHT

H

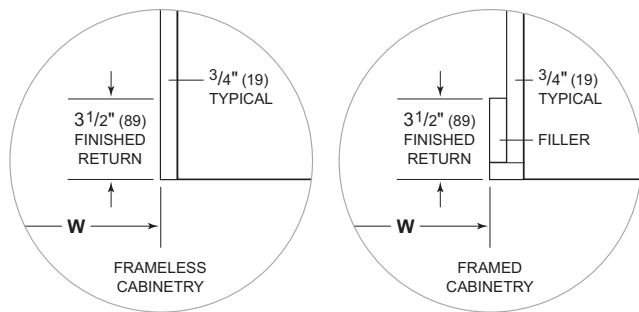
DEU2450W	34 1/2" (876)
DEU2450WADA	32 1/2" (826)

Opening Dimensions

UNDERCOUNTER WINE



NOTE: 3 1/2" (89) finished returns will be visible and should be finished to match cabinetry.



OPENING DIMENSIONS

	W	H
DEU1550W	15" (381)	34 1/2" (876)
DEU2450W	24" (610)	34 1/2" (876)
DEU2450WADA	24" (610)	32 1/2" (826)

The depth of each model is 23 1/8" (587). Allow for panel thickness when planning the finished opening depth. A minimum 3 1/2" (89) finished return is required on all sides of the opening. Framed cabinets require additional finished filler material behind the face frame for a proper installation. Refer to the illustration.

Dual Installation

UNDERCOUNTER WINE

If two units are installed side by side, a dual installation kit may be required. Installations without a custom filler strip require a dual installation kit. If a dual installation kit is not specified, a 2" (51) filler strip is recommended between the units. Dual installations without a filler strip can only be accomplished using two units with opposite hinges. Refer to the illustrations below.

IMPORTANT NOTE: For dual installations of a door and drawer model, the door model face frame is approximately 1/16" (2) proud of the drawer face frame. This is only apparent when the door/drawers are open at the same time. The door/drawers align when closed. The door handle must be next to the drawers.

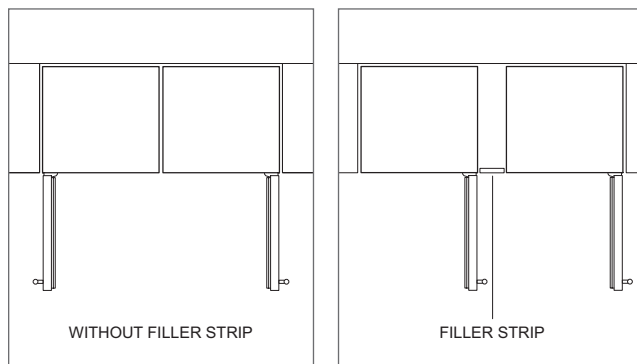
Dual installation kits are available through an authorized Sub-Zero dealer. For local dealer information, visit the find a showroom section of our website, subzero.com. For questions regarding the installation, call Sub-Zero Customer Care at 800-222-7820.

DUAL OPENING WIDTH

W

Two 15" Models	30" (762)
15" and 24" Models	39" (991)
Two 24" Models	48" (1219)

Dual installation kit required.

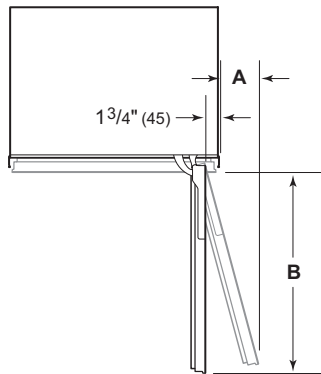
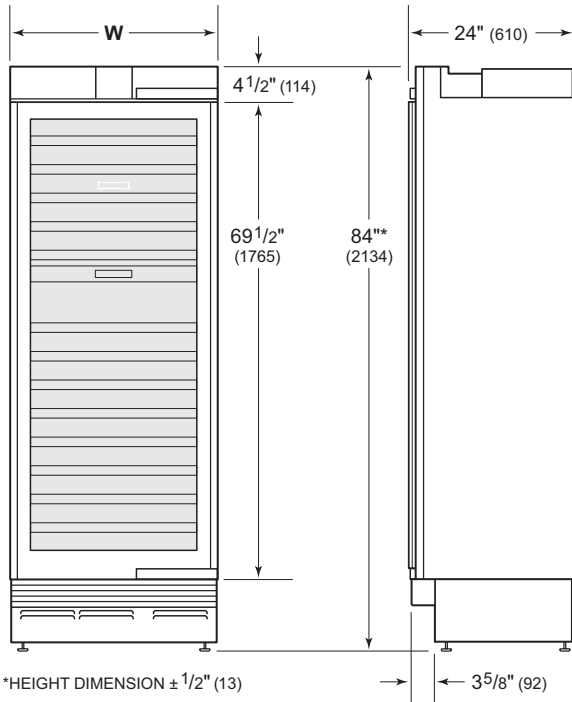


Opposite hinges

Same side hinges

Overall Dimensions

COLUMN WINE



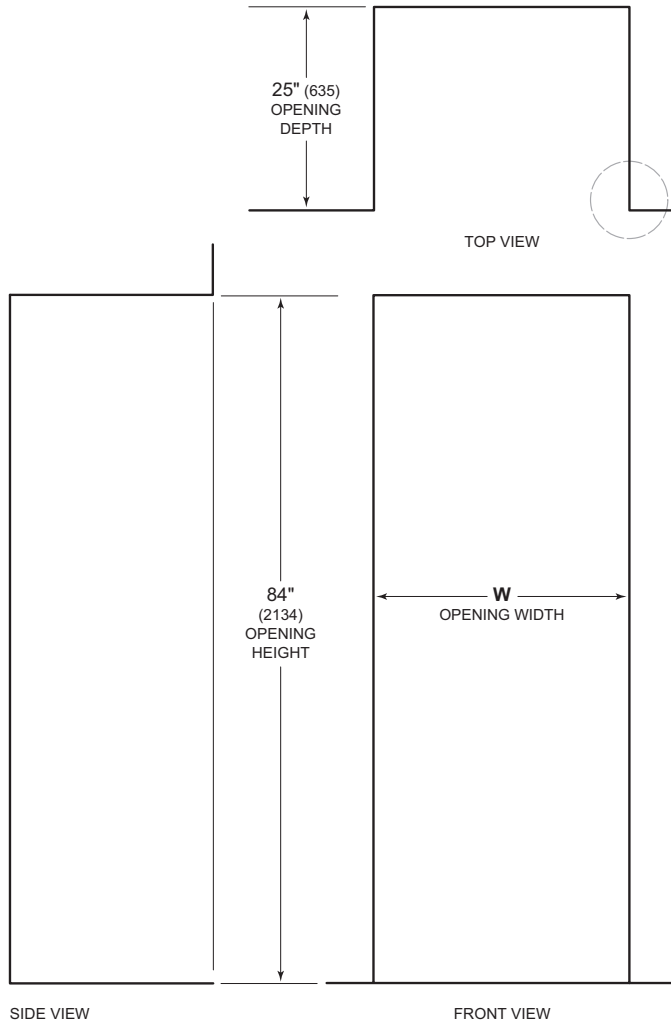
COLUMN

	W	A	B
18" Column	18" (457)	2 1/2" (64)	16 1/2" (419)
24" Column	24" (610)	4" (102)	22 1/2" (572)
30" Column	30" (762)	5 5/8" (143)	28 1/2" (724)

IMPORTANT NOTE: Overall dimensions do not include panels or handles. Dimensions will vary with panel thickness.

Opening Dimensions

DESIGNER SERIES WINE



OPENING DIMENSIONS

	W*
18" Column	18" (457)
24" Column	24" (610)
30" Column / Tall	30" (762)

*For stainless steel side panel accessory, add 1" (25) per panel to opening width.

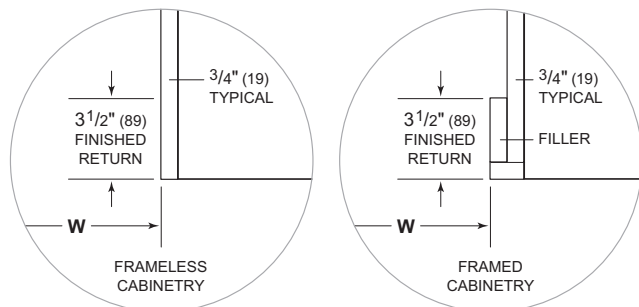
The depth of each model is 24" (610). Allow for panel thickness when planning the finished opening depth. A minimum 3 1/2" (89) finished return is required on all sides of the opening. Framed cabinets will require additional finished filler material behind the face frame for a proper installation. Refer to the illustration.

DUAL INSTALLATION

The unit can be installed next to an Designer Series refrigeration model or another Designer Series wine storage model in a dual installation. When installing two units side by side, the opening width is the width of the two units added together. A dual installation kit is required for this installation. If a dual installation kit is not specified, a minimum 2" (51) filler strip is required between the units.

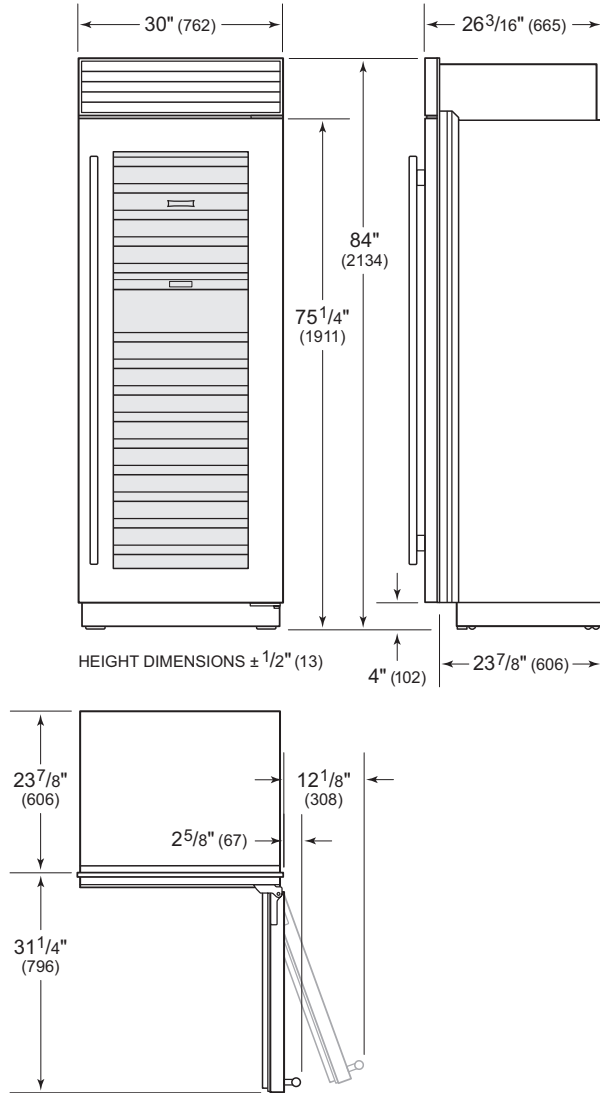
Dual installation kits are available through an authorized Sub-Zero dealer. For local dealer information, visit the find a showroom section of our website, subzero.com. For questions regarding the installation, call Sub-Zero Customer Care at 800-222-7820.

NOTE: 3 1/2" (89) finished returns will be visible and should be finished to match cabinetry.



Overall Dimensions

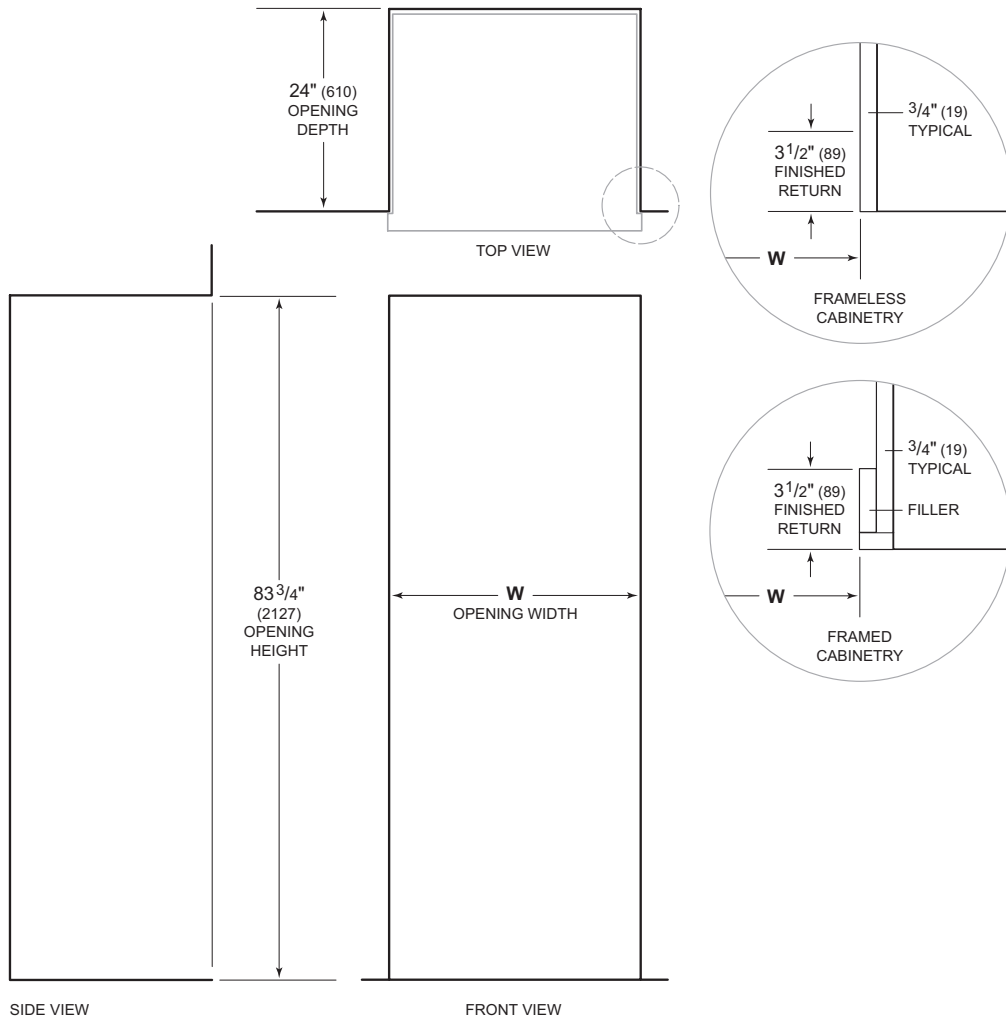
MODEL CL3050W



IMPORTANT NOTE: Overall dimensions are based on the stainless steel model. For flush inset applications, add 1/2" (13) to door clearance dimensions.

Opening Dimensions

MODEL CL3050W STANDARD INSTALLATION



NOTE: 3 1/2" (89) finished returns will be visible and should be finished to match cabinetry. Shaded line represents profile of unit.

OPENING WIDTH

W

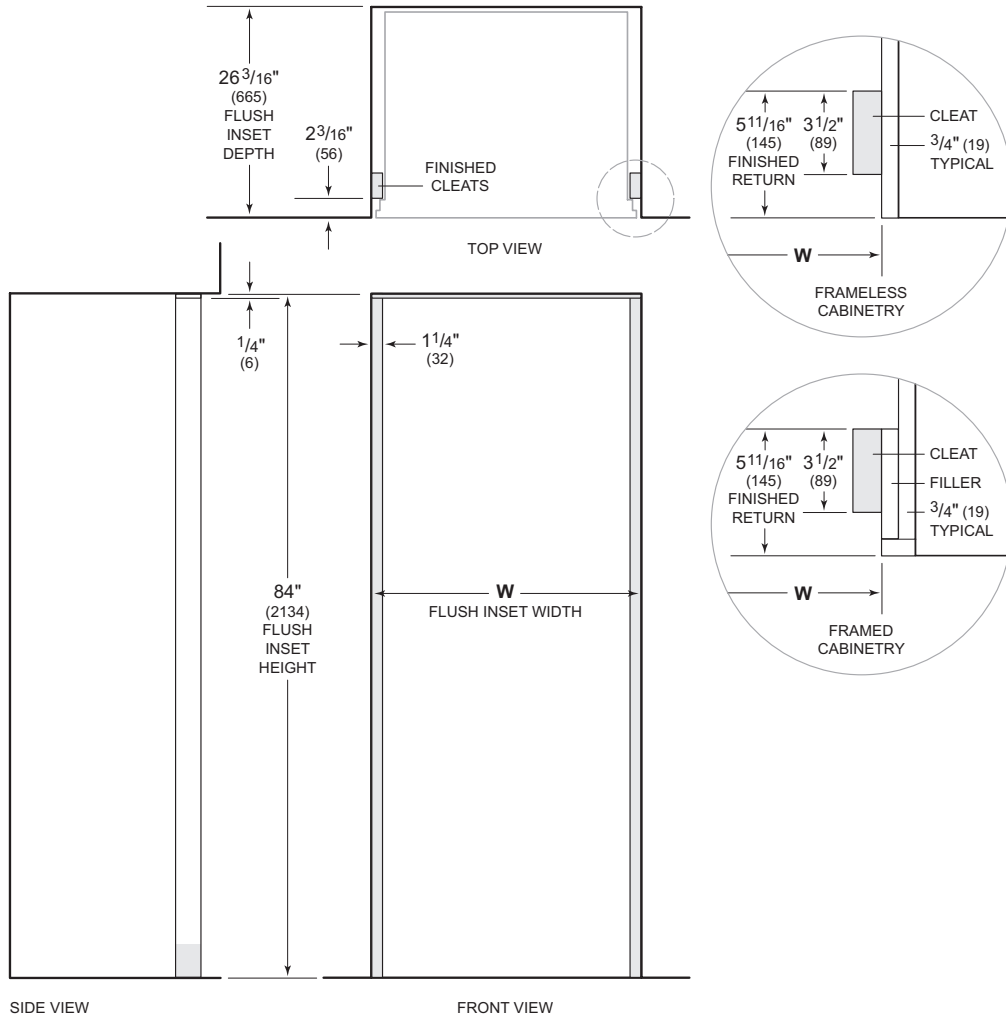
CL3050W

29 1/2" (749)

If two units are installed side by side, refer to page 64 for dual standard installations.

Opening Dimensions

MODEL CL3050W FLUSH INSET INSTALLATION



NOTE: 3 1/2" (89) finished returns and shaded areas will be visible and should be finished to match cabinetry. Shaded line represents profile of unit with 3/4" (19) panel.

FLUSH INSET WIDTH

W

CL3050W

32" (813)

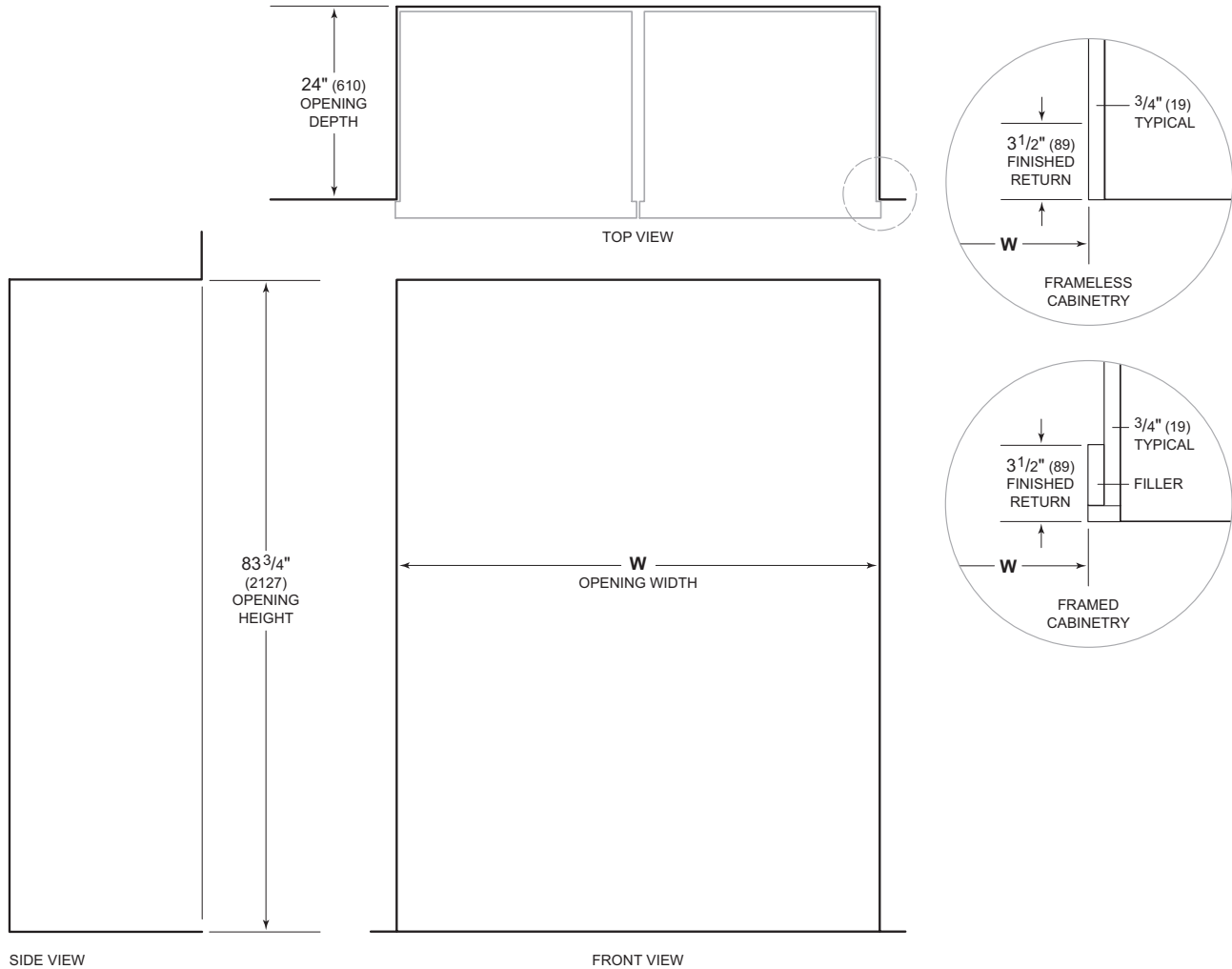
Flush inset is available for overlay models only.

Dimensions assume a 3/4" (19) panel thickness.

If two units are installed side by side, refer to page 65 for dual flush inset installations.

Opening Dimensions

MODEL CL3050W DUAL STANDARD INSTALLATION



NOTE: 3 1/2" (89) finished returns will be visible and should be finished to match cabinetry. Shaded line represents profile of unit.

DUAL OPENING WIDTH

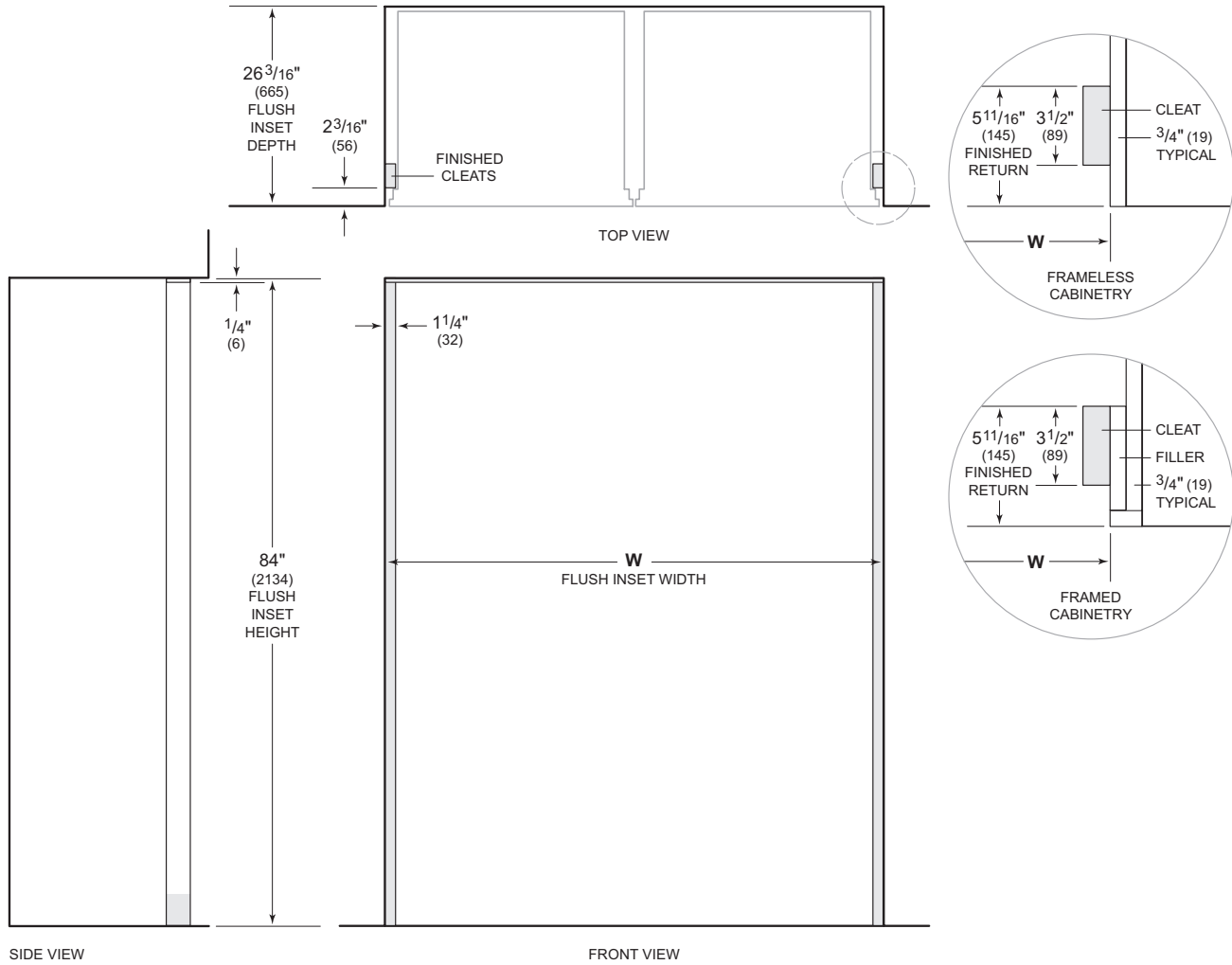
W

Two Models CL3050W	59 3/4" (1518)
CL3050W and 30" Classic Series Model	59 3/4" (1518)
CL3050W and 36" Classic Series Model	65 3/4" (1670)

A dual installation kit is required for this installation.

Opening Dimensions

MODEL CL3050W DUAL FLUSH INSET INSTALLATION



NOTE: 3 1/2" (89) finished returns and shaded areas will be visible and should be finished to match cabinetry. Shaded line represents profile of unit with 3/4" (19) panel.

DUAL FLUSH INSET WIDTH

W

Two Models CL3050W	62 1/4" (1581)
CL3050W and 30" Classic Series Model	62 1/4" (1581)
CL3050W and 36" Classic Series Model	68 1/4" (1734)

Flush inset is available for overlay models only.

Dimensions assume a 3/4" (19) panel thickness. A dual installation kit is required for this installation.

Electrical Requirements

Locate the electrical supply within the shaded area shown in the illustration for your specific model. For Designer Series models, also refer to the chart. A separate circuit servicing only this appliance is required. A ground fault circuit interrupter (GFCI) is not recommended and may cause interruption of operation.

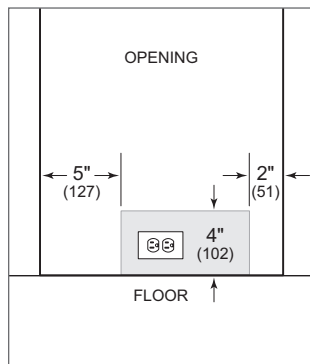
If the unit will be connected to a home security system, allow 36" (914) of excess wiring for proper connection.

IMPORTANT NOTE: For Undercounter and Designer Series models, the electrical outlet must be positioned with the grounding prong to the right of the thinner blades.

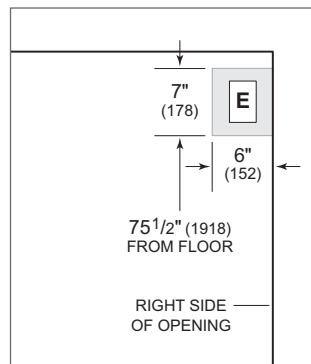
Installation must comply with all applicable electrical codes.

ELECTRICAL REQUIREMENTS

Electrical Supply	115 VAC, 60 Hz
Service	15 amp dedicated circuit
Receptacle	3-prong grounding-type



Undercounter Wine



Model CL3050W

⚠ CAUTION

The outlet must be checked by a qualified electrician to be sure it is wired with the correct polarity. Verify the outlet is properly grounded.

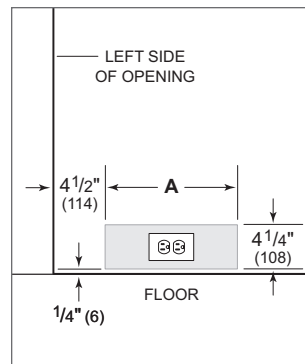
⚠ WARNING

Do not use an extension cord, two-prong adapter, or remove the power cord ground prong.

ELECTRICAL LOCATION—DESIGNER SERIES

A

18" Model	6" (152)
24" Model	9 1/2" (241)
30" Model	12 1/2" (318)



Designer Series models

Custom Panel—Undercounter Wine

For Undercounter Wine models excluding stainless steel, a door panel and handle must be provided. The custom door panel will attach directly to the door frame with screws through a series of pre-drilled holes. Refer to the following charts for panel requirements and dimensions.

Do not install a solid panel on a glass door unit. A solid door is available as a sales accessory and must be installed if a solid panel is being specified. Service may be required to install the door. Contact an authorized Sub-Zero dealer for more information. Overall dimensions are the same for glass and solid door panels.

The panel cannot exceed the maximum panel weight indicated in the chart below. The depth of each model is 23¹/₈" (587). Allow for panel thickness when planning the finished opening depth.

PANEL REQUIREMENTS

PANEL WEIGHT	MAX
DEU1550W	15 lb (7 kg)
DEU2450W	22 lb (10 kg)
DEU2450WADA	22 lb (10 kg)

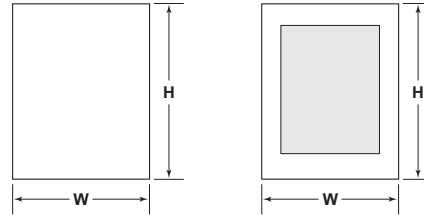
PANEL THICKNESS

All Models	5/8" (16) min – 3/4" (19) max
------------	-------------------------------

Finish all sides of the custom panels. They may be visible when the door is open or through the window of glass door models.

A D-style handle is recommended. Locate the door handle near the edge of the panel opposite the hinge and centered top to bottom. Stainless steel tubular and pro handles are available through an authorized Sub-Zero dealer. For local dealer information, visit the find a showroom section of our website, subzero.com.

TYPICAL PANEL DIMENSIONS



PANEL DIMENSIONS

MODEL	W	H
DEU1550W	14 ³ / ₄ " (375)	30 ³ / ₈ " (772)
DEU2450W	23 ³ / ₄ " (603)	30 ³ / ₈ " (772)
DEU2450WADA	23 ³ / ₄ " (603)	28 ³ / ₈ " (721)

STILES / RAILS

	MIN*
Stiles	3 ¹ / ₄ " (83)
Top Rail	3 ¹ / ₂ " (89)
Bottom Rail	4 ¹ / ₂ " (114)

*Glass door models only.

DUAL INSTALLATION

For dual installations, refer to the chart below for typical panel dimensions.

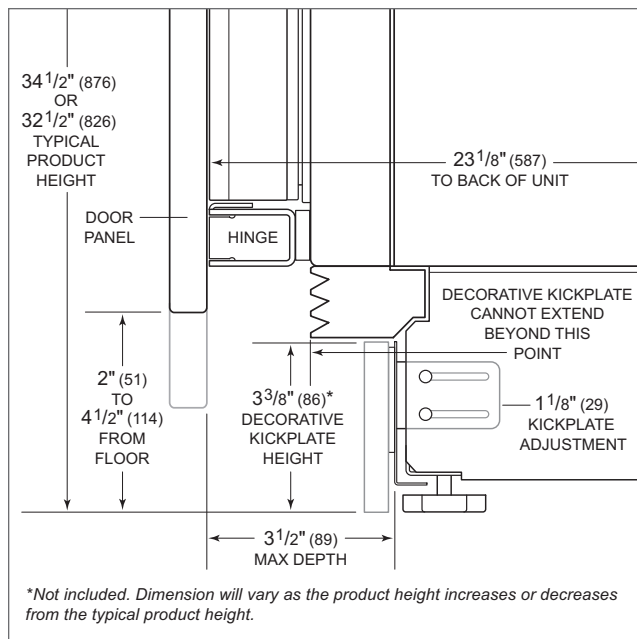
PANEL DIMENSIONS—DUAL INSTALLATION

MODEL	W	H
DEU1550W	14 ¹³ / ₁₆ " (376)	30 ³ / ₈ " (772)
DEU2450W	23 ¹³ / ₁₆ " (605)	30 ³ / ₈ " (772)
DEU2450WADA	23 ¹³ / ₁₆ " (605)	28 ³ / ₈ " (721)

Custom Panel—Undercounter Wine

TOE KICK CLEARANCE

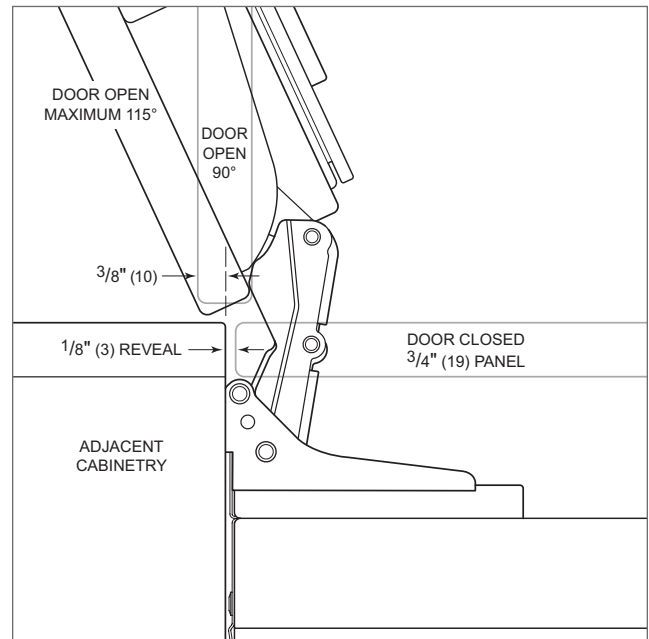
The height of the toe kick area can extend beyond the typical toe kick height, provided it does not exceed the dimensions in the illustration below. For questions regarding the installation, call Sub-Zero Customer Care at 800-222-7820.



Toe kick clearance (side view)

MAXIMUM DOOR OPENING

As the panel width and/or depth increases, so does the potential for panel interference. Interference may be minimized by using the 90° door stop.



Maximum door opening (top view)

Custom Panels—Designer Series

For Designer Series models excluding stainless steel, custom door/drawer panels and handle hardware must be provided. Refer to the Panel Requirements chart below and Typical Panel Dimensions on the following page.

Do not install a solid panel on a glass door unit. A solid door is available as a sales accessory and must be installed if a solid panel is being specified. Service may be required to install the door. Contact an authorized Sub-Zero dealer for more information. Overall dimensions are the same for glass and solid door panels.

The thickness of the custom panel can vary. A minimum $\frac{5}{8}$ " (16) thick panel is required, but the thickness can be increased provided it does not exceed the maximum panel weight indicated in the chart below. The depth of each Designer Series model is 24" (610). Allow for panel thickness when planning the finished opening depth. Refer to the full-scale template on page 53.

PANEL REQUIREMENTS

WEIGHT PER PANEL	MAX
Door Frame (column)	35 lb (16 kg)
Door Frame (tall)	25 lb (11 kg)
Drawer Panel (tall)	15 lb (7 kg)

PANEL THICKNESS	MIN
All Panels	$\frac{5}{8}$ " (16)

Reveals between panels can vary, $\frac{1}{8}$ " (3) reveals are typical.

⚠ CAUTION

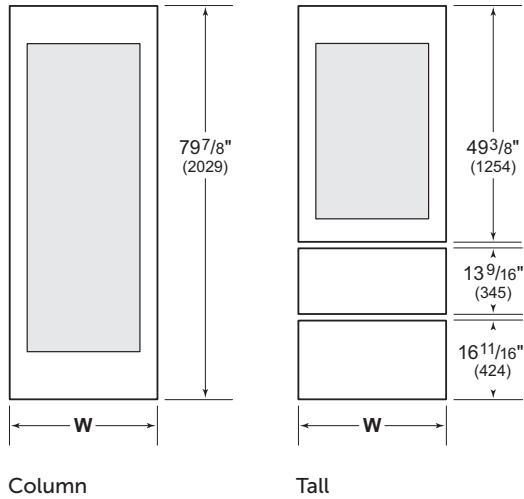
As reveals between cabinetry and the unit decrease, severe finger pinching can occur while the door is closing.

Finish all sides of the custom panels. They will be visible when the door/drawer is open.

D-style handles are recommended. Locate the door handle near the edge of the panel opposite the hinge and centered top to bottom. Locate the drawer handles near the top edge of each panel. Stainless steel tubular and pro handles are available through an authorized Sub-Zero dealer. For local dealer information, visit the find a showroom section of our website, subzero.com.

Custom Panels—Designer Series

TYPICAL PANEL DIMENSIONS



Typical panel dimensions are based on an 84" (2134) finished height, 4" (102) toe kick, and 1/8" (3) reveals. Panel dimensions must be adjusted accordingly for all other installations. Refer to the illustration for panel height and the chart below for panel width.

PANEL WIDTH	W
18" Model	17 ³ / ₄ " (451)
24" Model	23 ³ / ₄ " (603)
30" Model	29 ³ / ₄ " (756)

STILES / RAILS	W
Stiles	3 ¹ / ₄ " (83)
Top Rail	7 ³ / ₄ " (197)
Bottom Rail (column)	9 ¹ / ₂ " (241)
Bottom Rail (tall)	4 ¹ / ₂ " (114)

DUAL INSTALLATION

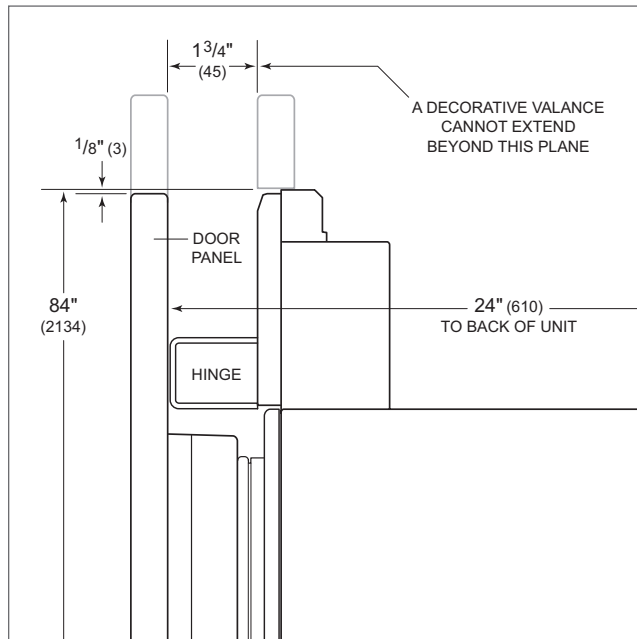
For dual installations, refer to the illustration for panel height and the chart below for panel width.

PANEL WIDTH	W
18" Model	17 ¹³ / ₁₆ " (452)
24" Model	23 ¹³ / ₁₆ " (605)
30" Model	29 ¹³ / ₁₆ " (757)

Custom Panels—Designer Series

DOOR PANEL HEIGHT

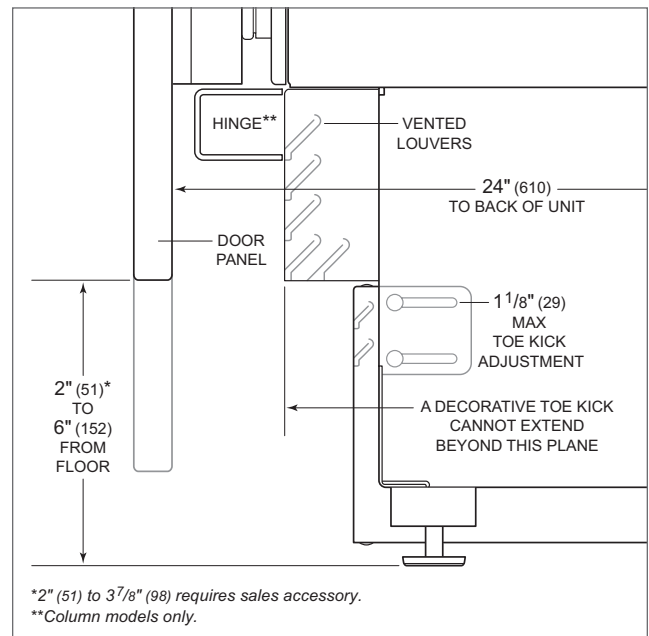
The height of the custom door panel can extend beyond the typical panel height, provided it does not exceed the weight limit. Refer to the illustration below.



Upper valance (side view)

TOE KICK CLEARANCE

The height of the toe kick area can extend beyond the typical toe kick height, provided it does not exceed the dimensions in the illustration below. Toe kick heights from 2" (51) to 3 7/8" (98) require a reduced toe kick accessory available through an authorized Sub-Zero dealer. For questions regarding the installation, call Sub-Zero Customer Care at 800-222-7820.



*2" (51) to 3 7/8" (98) requires sales accessory.
**Column models only.

Toe kick (side view)

Custom Panel—CL3050W

For model CL3050W excluding stainless steel, a door panel and handle must be provided. Do not install a solid panel on a glass door unit.

Finish all sides of the custom panels. They may be visible when the door is open or through the window of glass door models.

A D-style handle is recommended. Locate the door handle near the edge of the panel opposite the hinge and centered top to bottom. Stainless steel tubular and pro handles are available through an authorized Sub-Zero dealer. For local dealer information, visit the find a showroom section of our website, subzero.com.

OVERLAY

Overlay panels are typically created by combining a $\frac{3}{4}$ " (19) custom panel, a .10" (3) spacer panel, and a $\frac{1}{4}$ " (6) backer panel. Refer to the illustrations below.

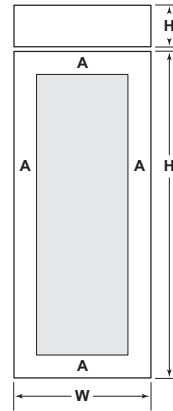
When installing two units side by side, refer to page 64 for dual standard installations.

PANEL REQUIREMENTS

WEIGHT PER PANEL	MAX
Door	75 lb (34 kg)
Grille	13 lb (6 kg)

PANEL THICKNESS	MIN
Overlay	$\frac{5}{8}$ " (16)

OVERLAY PANEL DIMENSIONS



CL3050W

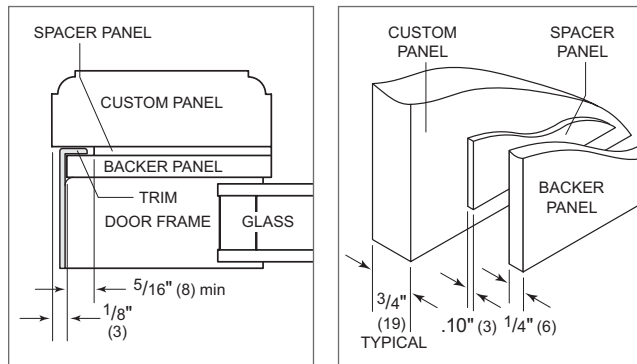
OVERLAY PANELS

DOOR	W	H
Overlay Panel	30" (762)	71 $\frac{1}{4}$ " (1810)
Spacer Panel	29 $\frac{1}{8}$ " (740)	70 $\frac{7}{16}$ " (1789)
Backer Panel	29 $\frac{3}{4}$ " (756)	71 $\frac{1}{16}$ " (1805)

GRILLE	W	H
Overlay Panel	30" (762)	7 $\frac{3}{4}$ " (197)*
Spacer Panel	29 $\frac{1}{8}$ " (740)	6 $\frac{3}{16}$ " (173)
Backer Panel	29 $\frac{3}{4}$ " (756)	7 $\frac{7}{16}$ " (189)

STILES / RAILS	A
Minimum	5 $\frac{1}{4}$ " (133)

*Panel height may be increased by $\frac{7}{16}$ " (11) to hide upper main frame.



Panel assembly (cross section)

Panel assembly (rear view)

Custom Panel—CL3050W

FLUSH INSET

The flush inset application is an overlay model with flush inset panels. It is not a separate model.

The flush inset design allows custom panels to be installed flush with adjacent cabinets. Similar to overlay, flush inset panels are typically created by combining a $\frac{3}{4}$ " (19) custom panel, a $.10$ " (3) spacer panel, and a $\frac{1}{4}$ " (6) backer panel. Refer to the illustrations for overlay panels on the previous page.

When installing two units side by side, refer to page 65 for dual flush inset installations.

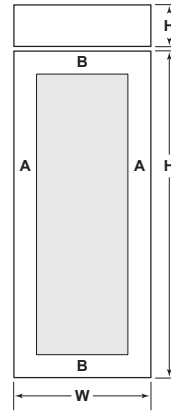
For flush inset panels thicker than $\frac{3}{4}$ " (19), a 90° door stop may be required to prevent interference with adjacent cabinets. Refer to the full-scale template on page 81.

PANEL REQUIREMENTS

WEIGHT PER PANEL	MAX
Door	75 lb (34 kg)
Grille	13 lb (6 kg)

PANEL THICKNESS	MIN
Flush Inset	$\frac{5}{8}$ " (16)

FLUSH INSET PANEL DIMENSIONS



CL3050W

FLUSH INSET PANELS

DOOR	W	H
Flush Inset Panel	31" (787)	71 $\frac{1}{4}$ " (1810)
Spacer Panel	29 $\frac{1}{8}$ " (740)	70 $\frac{7}{16}$ " (1789)
Backer Panel	29 $\frac{3}{4}$ " (756)	71 $\frac{1}{16}$ " (1805)

GRILLE	W	H
Flush Inset Panel	31" (787)	7 $\frac{3}{4}$ " (197)
Spacer Panel	29 $\frac{1}{8}$ " (740)	6 $\frac{13}{16}$ " (173)
Backer Panel	29 $\frac{3}{4}$ " (756)	7 $\frac{7}{16}$ " (189)

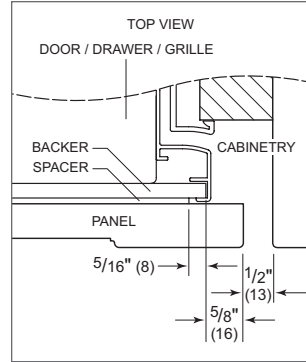
STILES / RAILS	A	B
Minimum	5 $\frac{3}{4}$ " (146)	5 $\frac{1}{4}$ " (133)

Custom Panel—CL3050W

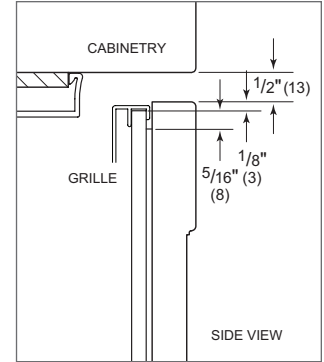
FLUSH INSET PANEL OFFSET

The illustrations provide panel offsets and reveals for model CL3050W in a flush inset application. Refer to the chart below for reference to the illustrations.

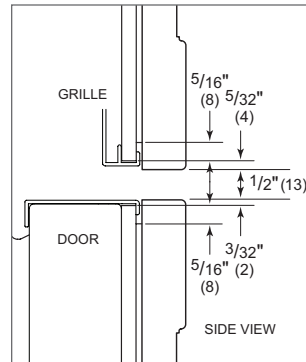
PANEL OFFSET	ILLUS
Door / Grille Sides	A
Grille Top	B
Grille Bottom / Door Top	C
Door Bottom	D



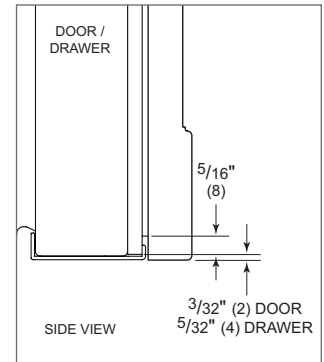
Illus. A



Illus. B



Illus. C



Illus. D

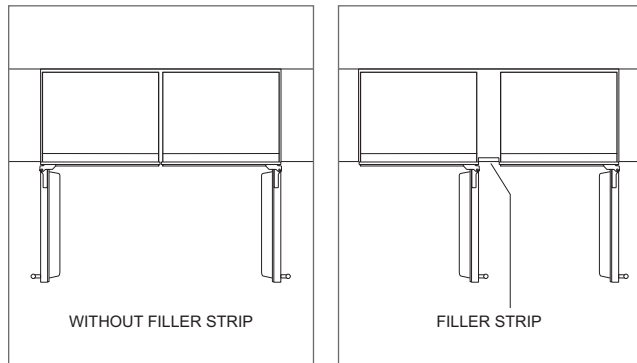
Custom Panel—CL3050W

DUAL INSTALLATIONS

A dual installation kit may be required if two models CL3050W or a model CL3050W and a Classic Series unit are installed side by side. Installations without a custom filler strip require a dual installation kit. If a dual installation kit is not specified, a 2" (51) filler strip is recommended between the units. Dual installations without a filler strip can only be accomplished using two 84" (2134) units with opposite hinges. Refer to the illustrations below.

Dual installation kits are available through an authorized Sub-Zero dealer. For local dealer information, visit the find a showroom section of our website, subzero.com. For questions regarding the installation, call Sub-Zero Customer Care at 800-222-7820.

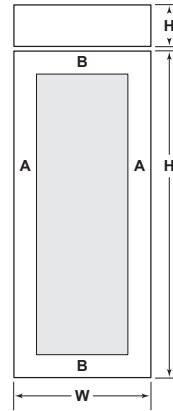
For dual standard installations, panel dimensions are the same as for single installations. Refer to the chart on page 72. Panel dimensions and offsets for dual flush inset installations are listed in the following charts.



Opposite hinges

Same side hinges

DUAL FLUSH INSET PANEL DIMENSIONS



CL3050W

DUAL FLUSH INSET PANELS

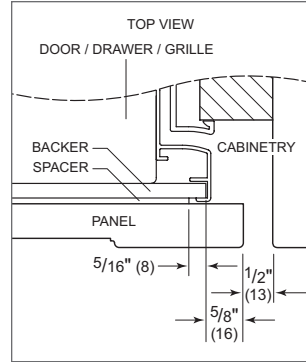
DOOR	W	H
Flush Inset Panel	30½" (775)	71¼" (1810)
Spacer Panel	29⅞" (740)	70⅞" (1789)
Backer Panel	29¾" (756)	71¼" (1805)
GRILLE	W	H
Flush Inset Panel	30½" (775)	7¾" (197)
Spacer Panel	29⅞" (740)	6⅜" (173)
Backer Panel	29¾" (756)	7⅞" (189)
STILES / RAILS	A	B
Minimum	5¾" (146)	5¼" (133)

Custom Panel—CL3050W

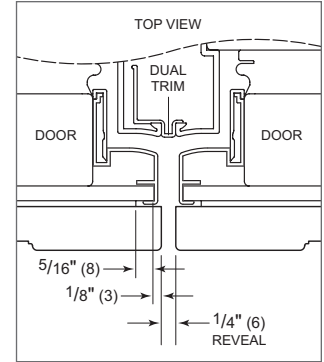
DUAL FLUSH INSET PANEL OFFSET

The illustrations provide panel offsets and reveals for model CL3050W in a dual flush inset application. Refer to the chart below for reference to the illustrations.

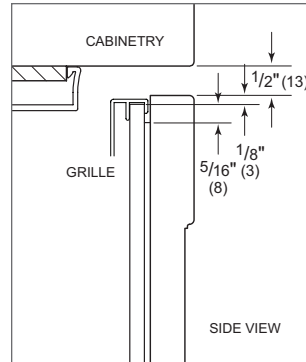
PANEL OFFSET	ILLUS
Door (hinge) / Grille Sides	A
Door (handle) Sides	B
Grille Top	C
Grille Bottom / Door Top	D
Door Bottom	E



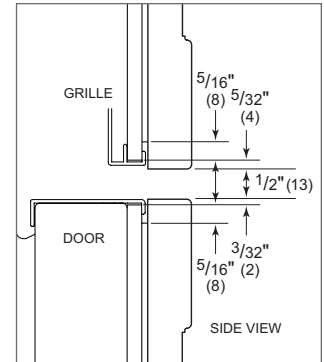
Illus. A



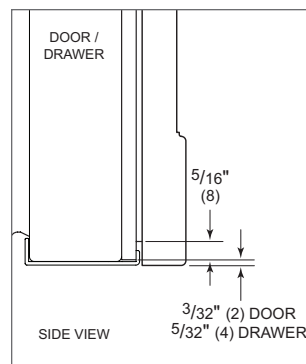
Illus. B



Illus. C



Illus. D



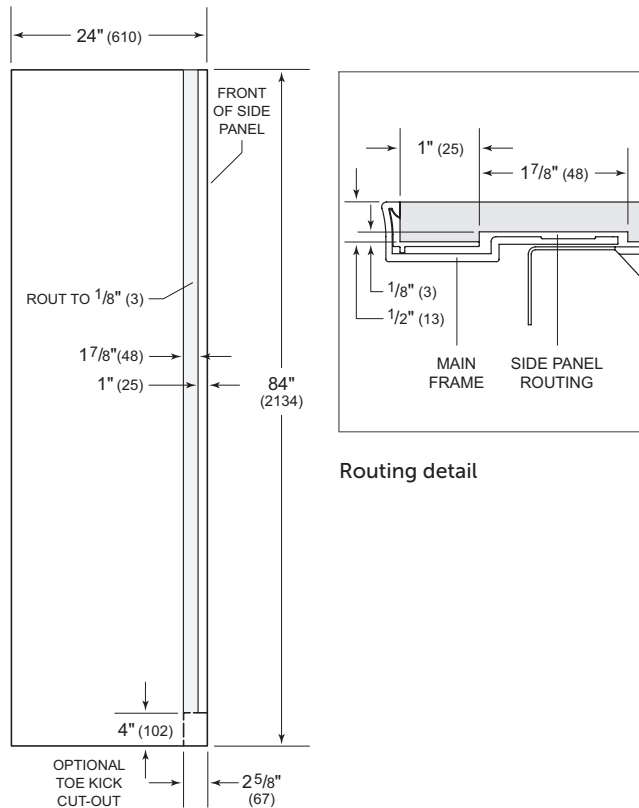
Illus. E

Custom Panel—CL3050W

SIDE PANEL

The custom side panel must be a minimum of 24" (610) deep and 1/2" (13) thick. Routing will be necessary for the side panel to fit flush against the side of the unit. Refer to the illustrations.

When installing model CL3050W with a custom side panel, an accessory kit is required. Stainless steel and white enamel side panels are available for an 84" (2134) finished height through an authorized Sub-Zero dealer. For local dealer information, visit the find a showroom section of our website, subzero.com.



Standard Handles

Optional stainless steel tubular and pro handles are available through an authorized Sub-Zero dealer. For local dealer information, visit the find a showroom section of our website, subzero.com.

Refer to the chart below for standard handle lengths for wine storage models.

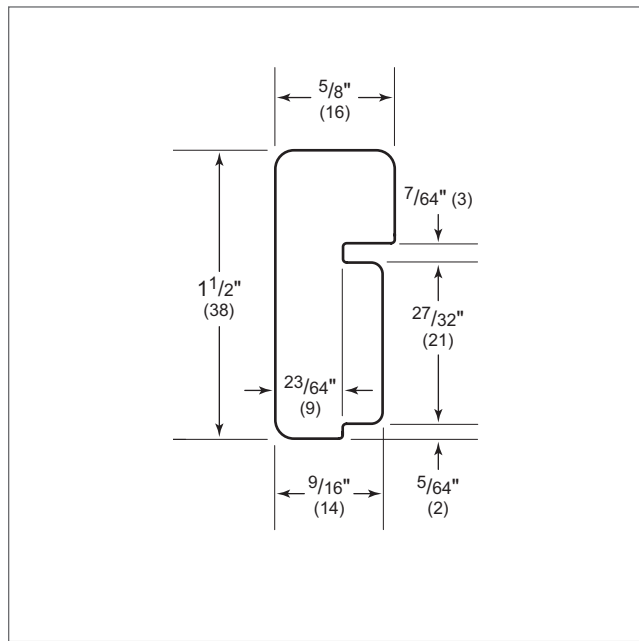
HANDLE LENGTH	TUBULAR	PRO
Undercounter (standard height)	24 ³ / ₁₆ " (614)	22 ¹ / ₂ " (572)
Undercounter (ADA height)	22 ³ / ₁₆ " (564)	20 ¹ / ₂ " (521)
Column Door	50 ¹ / ₈ " (1273)	48 ³ / ₈ " (1229)
Tall Door	33 ¹ / ₄ " (845)	31 ¹ / ₂ " (800)
Tall Drawer	27 ¹ / ₄ " (692)	25 ¹ / ₂ " (648)
CL3050W Door	63 ⁷ / ₈ " (1622)	45 ³ / ₁₆ " (1147)

Wine Rack Wood Facing

UNDERCOUNTER WINE

The natural cherrywood facing on wine storage racks can be stained and sealed, or replaced with wood more complementary to surrounding cabinetry. Refer to the full-scale templates below for the profile dimensions of the wood facing and the charts for the width.

WOOD FACING WIDTH	W
DEU1550W	10 $\frac{1}{4}$ " (260)
DEU2450W / DEU2450WADA	19 $\frac{1}{4}$ " (489)

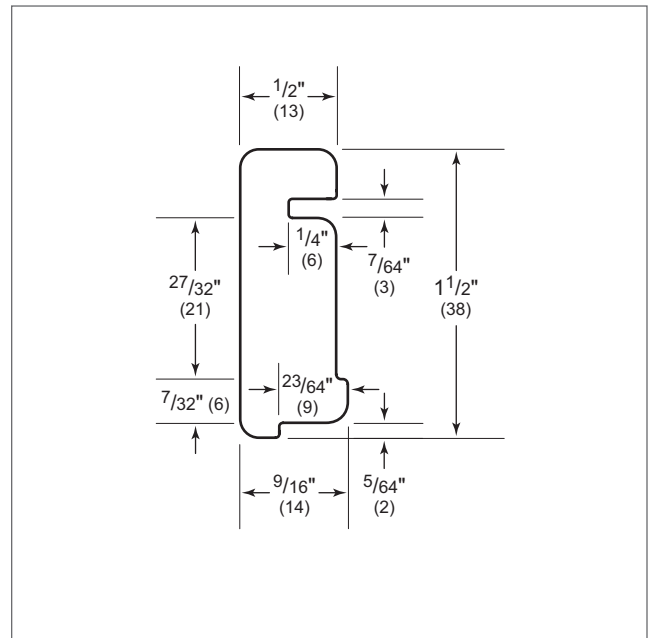


Wood facing profile—Undercounter Wine

DESIGNER SERIES / MODEL CL3050W

The natural cherrywood facing on wine storage racks can be stained and sealed, or replaced with wood more complementary to surrounding cabinetry. Refer to the full-scale template below for the profile dimensions of the wood facing and the chart for the width.

WOOD FACING WIDTH	W
18" Column	11 $\frac{5}{8}$ " (295)
24" Column	17 $\frac{5}{8}$ " (448)
30" Column/Tall	23 $\frac{5}{8}$ " (600)
CL3050W	24 $\frac{9}{16}$ " (624)

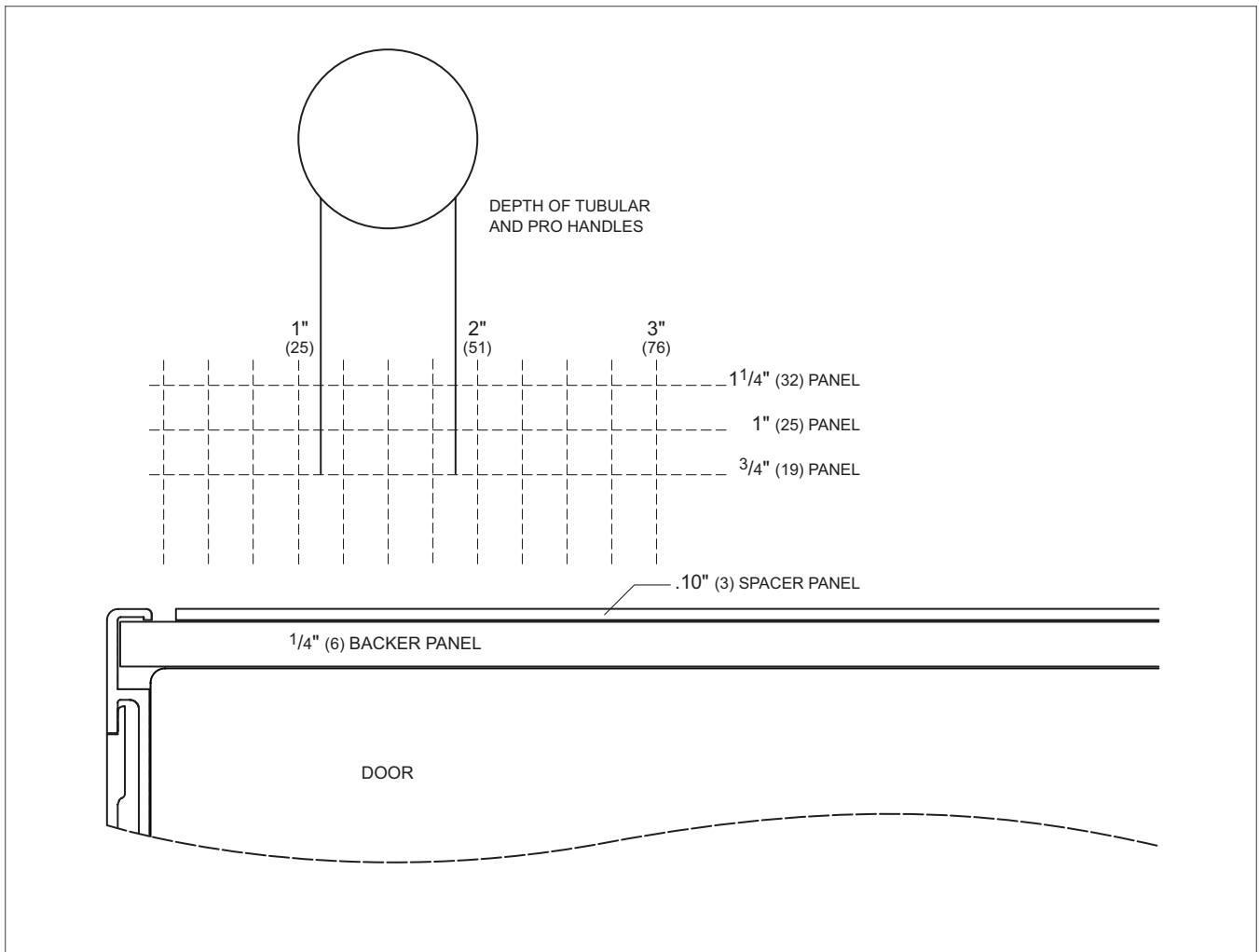


Wood facing profile—Designer Series and Model CL3050W

Overlay / Flush Inset Panels—CL3050W

FULL-SCALE TEMPLATE

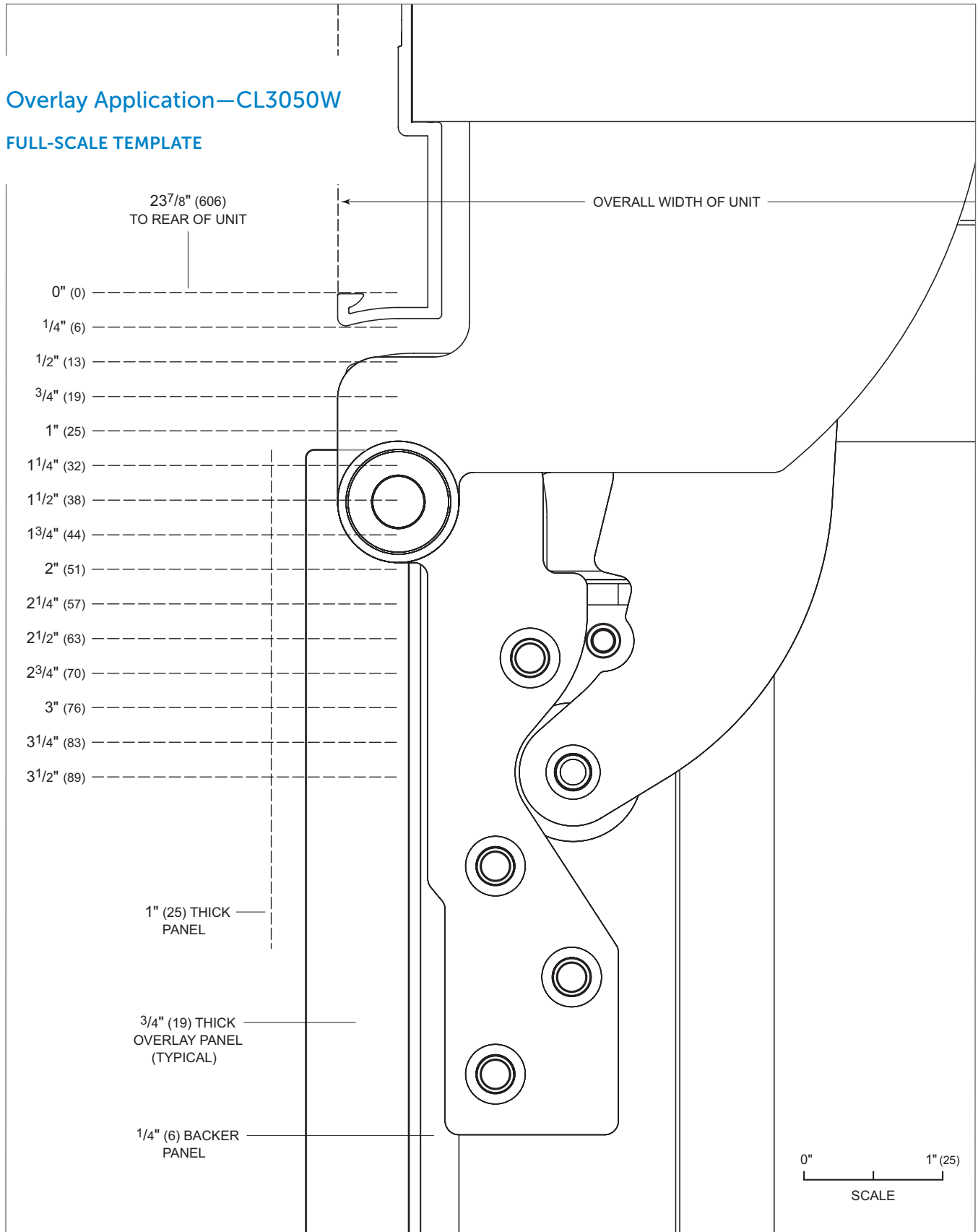
Overlay and flush inset panels must be a minimum of $\frac{5}{8}$ " (16) thick to support mounting the handle. Panel thickness does not include the backer and spacer panels. Mount the handle close to the opening edge of the door.



Overlay and flush inset panel thickness

Overlay Application—CL3050W

FULL-SCALE TEMPLATE



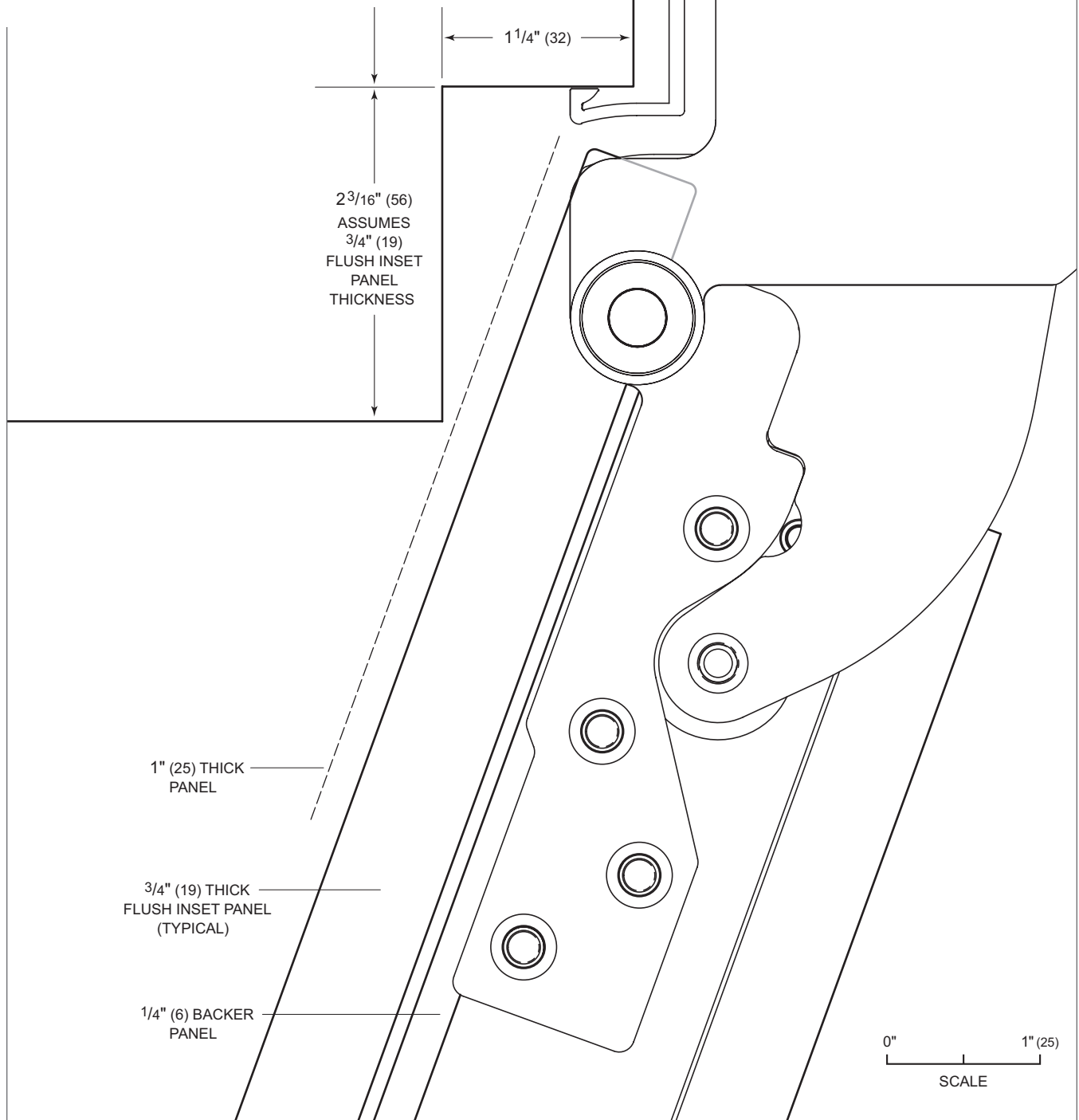
90° door opening (top view)

Flush Inset Application—CL3050W

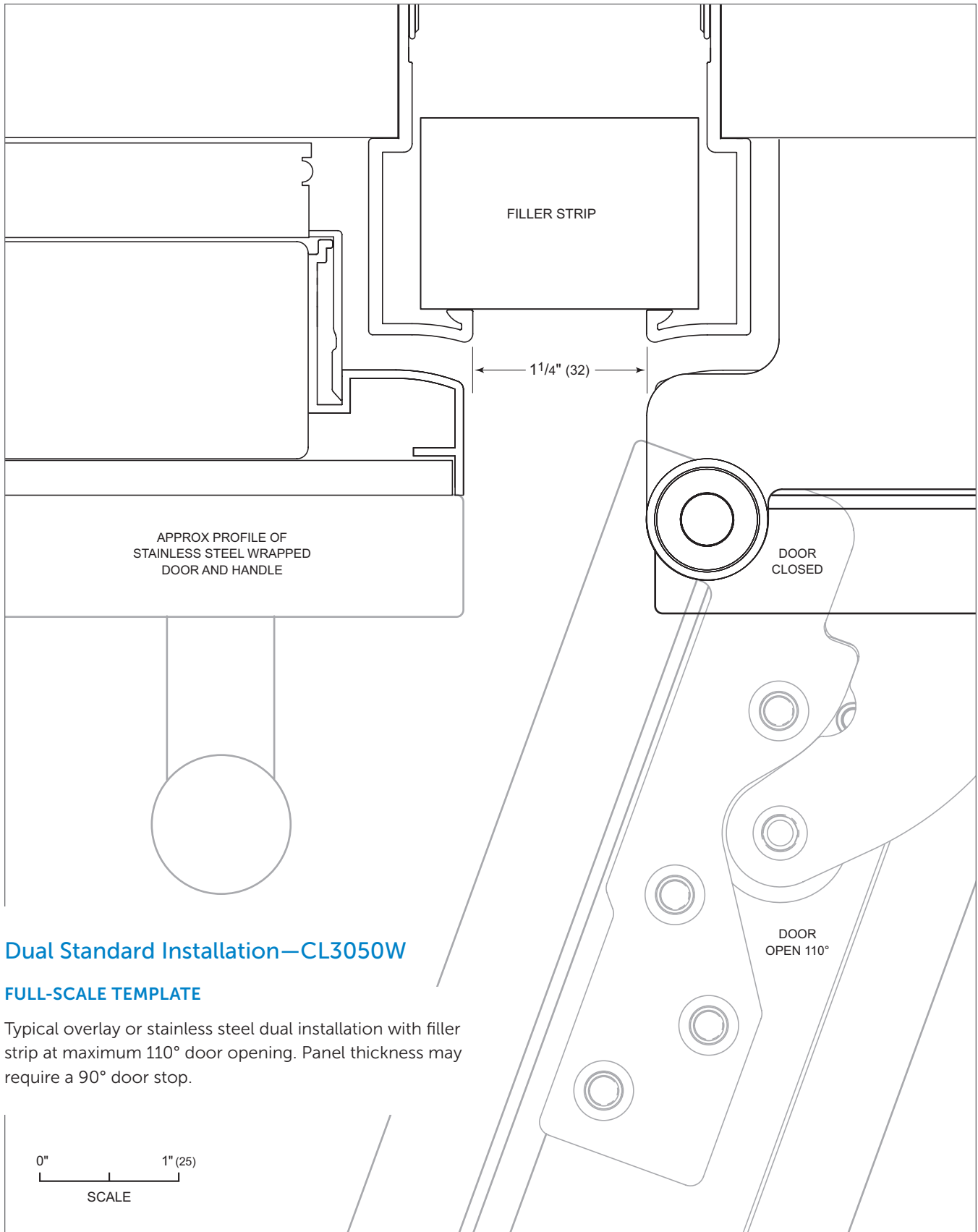
FULL-SCALE TEMPLATE

24" (610)
TO BACK WALL

For panels thicker than 3/4" (19), a 90° door stop may be required to prevent interference with adjacent cabinets.



110° door opening (top view)

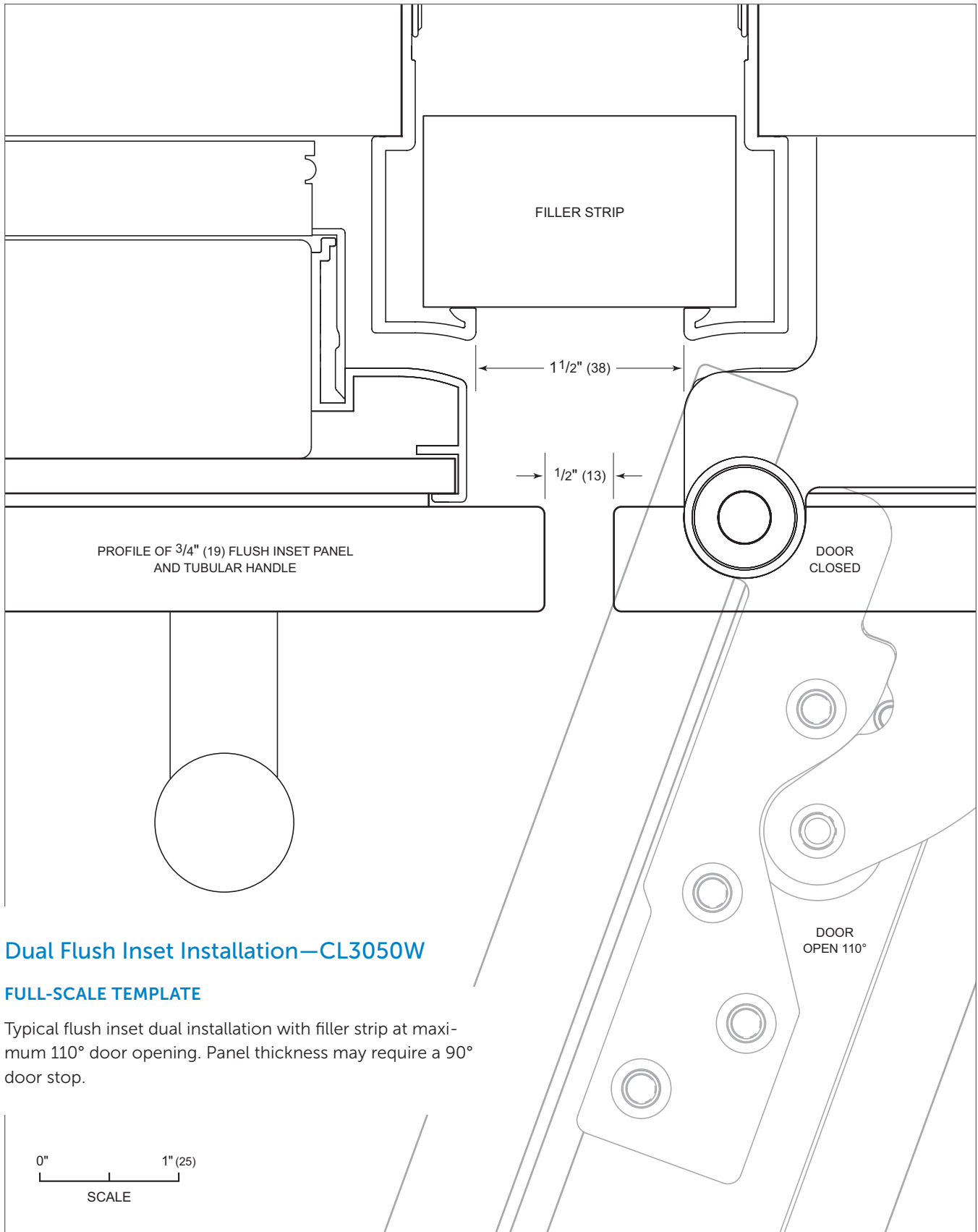


Dual Standard Installation—CL3050W

FULL-SCALE TEMPLATE

Typical overlay or stainless steel dual installation with filler strip at maximum 110° door opening. Panel thickness may require a 90° door stop.

Dual standard installation (top view)



Dual Flush Inset Installation—CL3050W

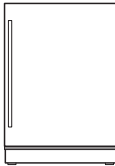
FULL-SCALE TEMPLATE

Typical flush inset dual installation with filler strip at maximum 110° door opening. Panel thickness may require a 90° door stop.

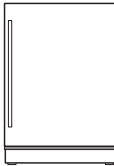
Dual flush inset installation (top view)

Designer Series Undercounter Refrigeration

MODELS



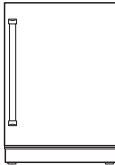
DEU2450R
DEU2450RADA



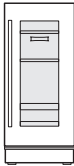
DEU2450CI



DEU2450BG
DEU2450BGADA



DEU2450RO



DEU1550BG

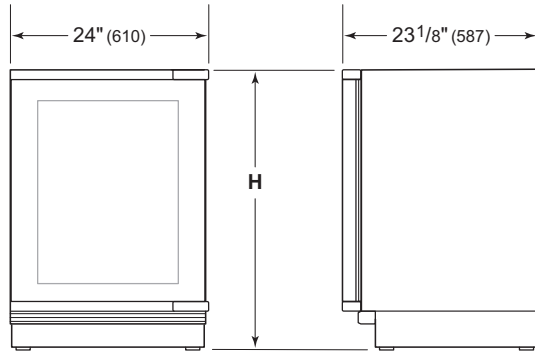


DEU1550B

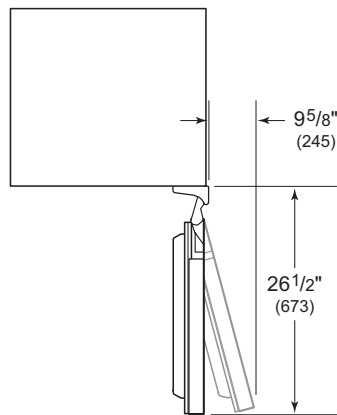


Overall Dimensions

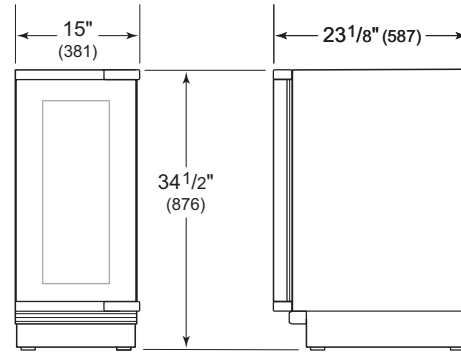
24" MODELS



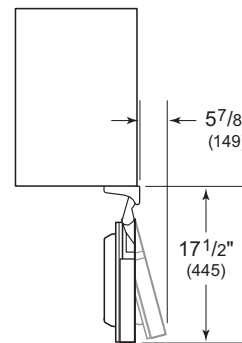
HEIGHT DIMENSIONS $\pm 1/2"$ (13)



15" MODELS



HEIGHT DIMENSIONS $\pm 1/2"$ (13)



24" MODEL HEIGHT

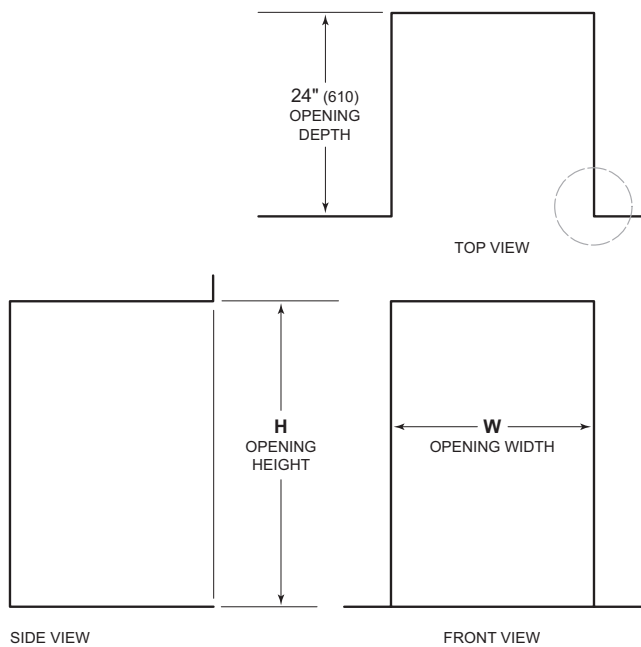
H

Standard Height	34 1/2" (876)
ADA Height	32 1/2" (826)

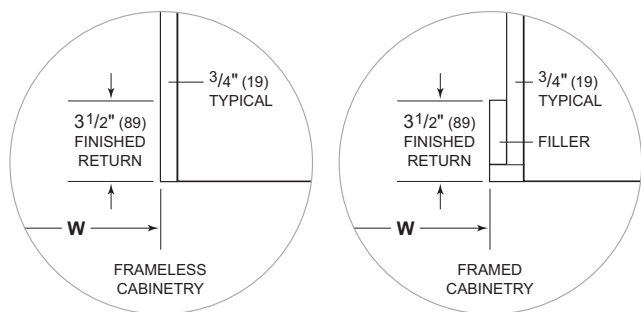
IMPORTANT NOTE: Overall dimensions do not include panels or handles. Dimensions will vary with panel thickness.

Opening Dimensions

DESIGNER SERIES UNDERCOUNTER MODELS



NOTE: 3 1/2" (89) finished returns will be visible and should be finished to match cabinetry.



OPENING DIMENSIONS

	W	H
24" Model (standard height)	24" (610)	34 1/2" (876)
24" Model (ADA height)	24" (610)	32 1/2" (826)
15" Model (standard height)	15" (381)	34 1/2" (876)

The depth of each model is 23 1/8" (587). Allow for panel thickness when planning the finished opening depth. A minimum 3 1/2" (89) finished return is required on all sides of the opening. Framed cabinets require additional finished filler material behind the face frame for a proper installation. Refer to the illustration.

DUAL INSTALLATION

If two units are installed side by side, a dual installation kit may be required. Installations without a custom filler strip require a dual installation kit. If a dual installation kit is not specified, a 2" (51) filler strip is recommended between the units. Dual installations without a filler strip can only be accomplished using two units with opposite hinges. Refer to the illustrations below.

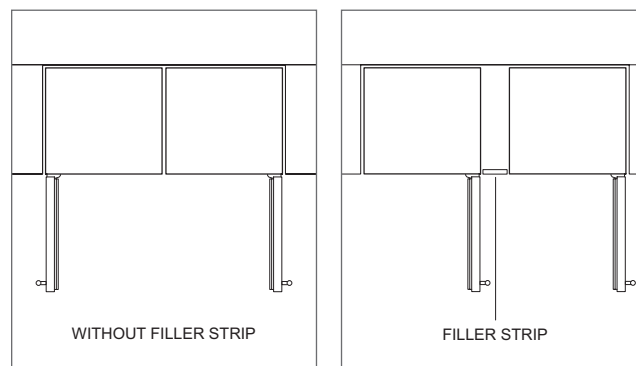
Dual installation kits are available through an authorized Sub-Zero dealer. For local dealer information, visit the find a showroom section of our website, subzero.com. For questions regarding the installation, call Sub-Zero Customer Care at 800-222-7820.

DUAL OPENING WIDTH

W

Two 15" Models	30" (762)
15" and 24" Models	39" (991)
Two 24" Models	48" (1219)

Dual installation kit required.



Opposite hinges

Same side hinges

Electrical Requirements

Locate the electrical supply within the shaded area shown in the illustration below. A separate circuit servicing only this appliance is required.

IMPORTANT NOTE: For indoor models, a ground fault circuit interrupter (GFCI) is not recommended and may cause interruption of operation.

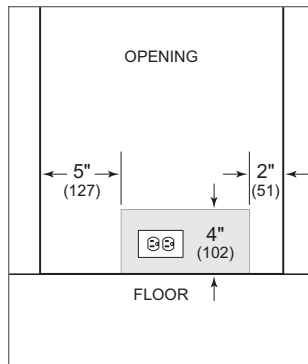
For the outdoor model, a ground fault circuit interrupter (GFCI) is required to reduce the risk of electrical shock.

The electrical outlet must be positioned with the grounding prong to the right of the thinner blades.

Installation must comply with all applicable electrical codes.

ELECTRICAL REQUIREMENTS

Electrical Supply	115 VAC, 60 Hz
Service	15 amp dedicated circuit
Receptacle	3-prong grounding-type



Electrical supply location

⚠ CAUTION

The outlet must be checked by a qualified electrician to be sure it is wired with the correct polarity. Verify the outlet is properly grounded.

⚠ WARNING

Do not use an extension cord, two-prong adapter, or remove the power cord ground prong.

Plumbing Requirements

MODEL DEU2450CI

For ease of installation, recess the water shut off into the wall or place it in an adjacent cabinet. Locate the water supply line within the shaded area shown in the illustration below. Connect the water supply line to the house supply with an easily accessible shut-off valve. Do not use self-piercing valves.

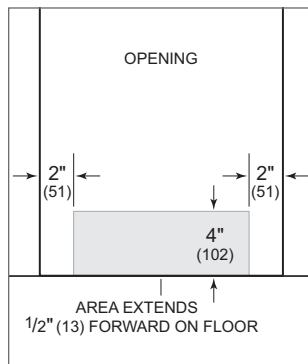
An in-line filter is required when water conditions have a high sediment content.

A reverse osmosis system can be used provided there is constant water pressure of 35–120 psi (2.4–8.3 bar) supplied to the unit at all times. A copper line is not recommended for this application.

Installation must comply with all applicable plumbing codes.

PLUMBING REQUIREMENTS

Water Supply Line	¼" OD copper, braided stainless steel, or PEX tubing
Water Pressure	35–120 psi (2.4–8.3 bar)
Excess Water Line for Connection	5' (1.5 m)



Water supply location

Stainless Steel Panel

Stainless steel panels are available through an authorized Sub-Zero dealer. Stainless steel panels include a stainless steel kickplate cover. The outdoor model requires the use of a Sub-Zero stainless steel outdoor accessory panel. For local dealer information, visit the find a showroom section of our website, subzero.com.

Minimum ¼" (3) reveals are required.

Custom Panel

For Designer Series Undercounter models, a custom door panel and handle hardware must be provided. Refer to the charts for panel requirements and dimensions.

Do not install a solid panel on the glass door unit. A solid door is available as a sales accessory through an authorized Sub-Zero dealer.

The panel cannot exceed the maximum panel weight indicated in the chart below. The depth of each model is 23¹/₈" (587). Allow for panel thickness when planning the finished opening depth.

⚠ CAUTION

As reveals between cabinetry and the unit decrease, severe finger pinching can occur while the door is closing.

Finish all sides of the custom panel. They may be visible when the door is open or through the glass of glass door models.

A D-style handle is recommended. Locate the door handle near the edge of the panel opposite the hinge and centered top to bottom. Stainless steel tubular and pro handles are available through an authorized Sub-Zero dealer. For local dealer information, visit the find a showroom section of our website, subzero.com.

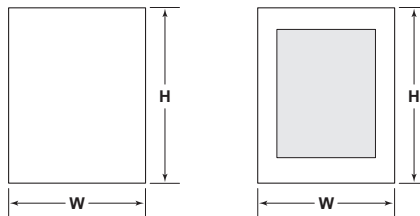
PANEL REQUIREMENTS

PANEL WEIGHT	MAX
24" Model	22 lb (10 kg)
15" Model	15 lb (7 kg)

PANEL THICKNESS

All Models	5/8" (16) min – 3/4" (19) max
------------	-------------------------------

TYPICAL PANEL DIMENSIONS



PANEL DIMENSIONS

MODEL	W	H
24" Model (standard height)	23 ³ / ₄ " (603)	30 ³ / ₈ " (772)
24" Model (ADA height)	23 ³ / ₄ " (603)	28 ³ / ₈ " (721)
15" Model (standard height)	14 ³ / ₄ " (375)	30 ³ / ₈ " (772)

STILES / RAILS

	MIN*
Stiles	3 ¹ / ₄ " (83)
Top Rail	3 ¹ / ₂ " (89)
Bottom Rail	4 ¹ / ₂ " (114)

*Glass door models only.

DUAL INSTALLATION

For dual installations, refer to the chart below for typical panel dimensions.

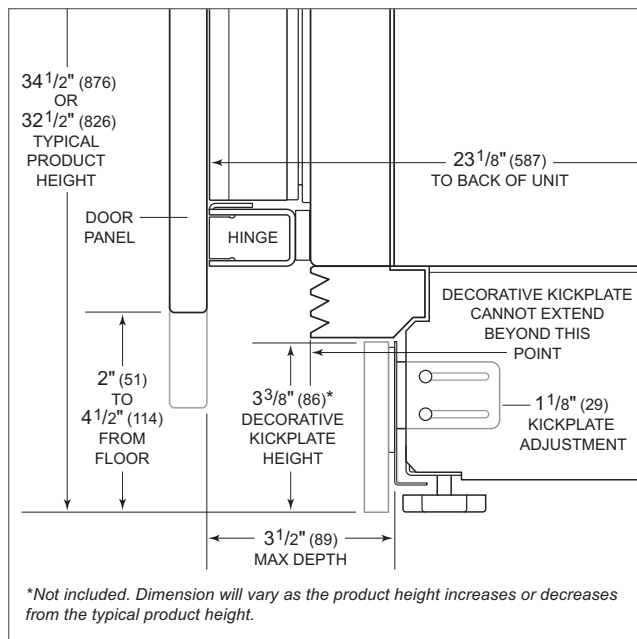
PANEL DIMENSIONS—DUAL INSTALLATION

MODEL	W	H
24" Model (standard height)	23 ¹³ / ₁₆ " (605)	30 ³ / ₈ " (772)
24" Model (ADA height)	23 ¹³ / ₁₆ " (605)	28 ³ / ₈ " (721)
15" Model (standard height)	14 ¹³ / ₁₆ " (376)	30 ³ / ₈ " (772)

Custom Panel

TOE KICK CLEARANCE

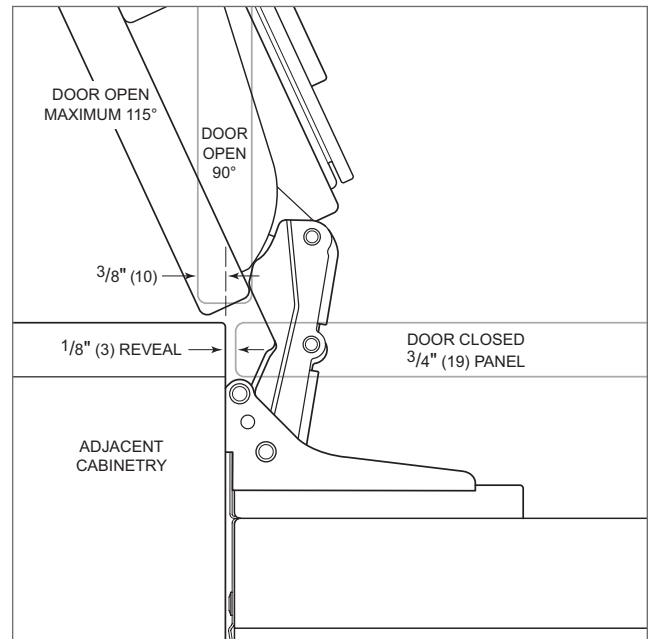
The height of the toe kick area can extend beyond the typical toe kick height, provided it does not exceed the dimensions in the illustration below. For questions regarding the installation, call Sub-Zero Customer Care at 800-222-7820.



Toe kick clearance (side view)

MAXIMUM DOOR OPENING

As the panel width and/or depth increases, so does the potential for panel interference. Interference may be minimized by using the 90° door stop.



Maximum door opening (top view)

Standard Handles

Optional stainless steel tubular and pro handles are available through an authorized Sub-Zero dealer. For local dealer information, visit the find a showroom section of our website, subzero.com.

Refer to the chart below for standard handle lengths for Designer Series Undercounter models.

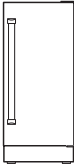
HANDLE LENGTH	TUBULAR	PRO
Standard Height	24 ³ / ₁₆ " (614)	22 ¹ / ₂ " (572)
ADA Height	22 ³ / ₁₆ " (564)	20 ¹ / ₂ " (521)
Outdoor Model	NA	22 ¹ / ₂ " (572)

Undercounter Ice Maker

MODELS



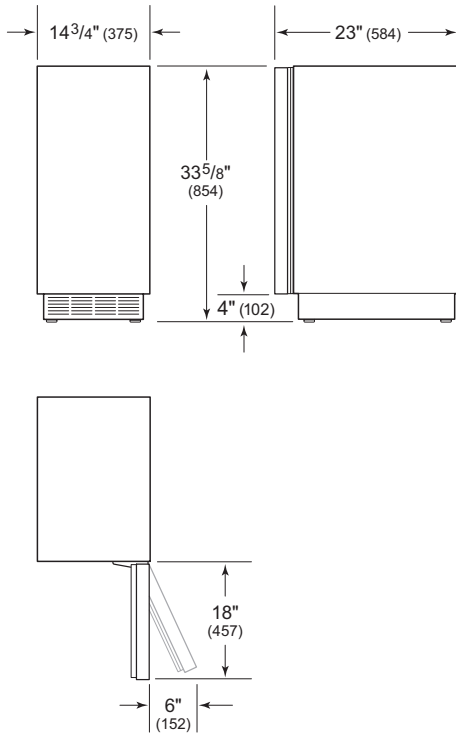
UC-15I(P)



UC-15I(P)O

Overall Dimensions

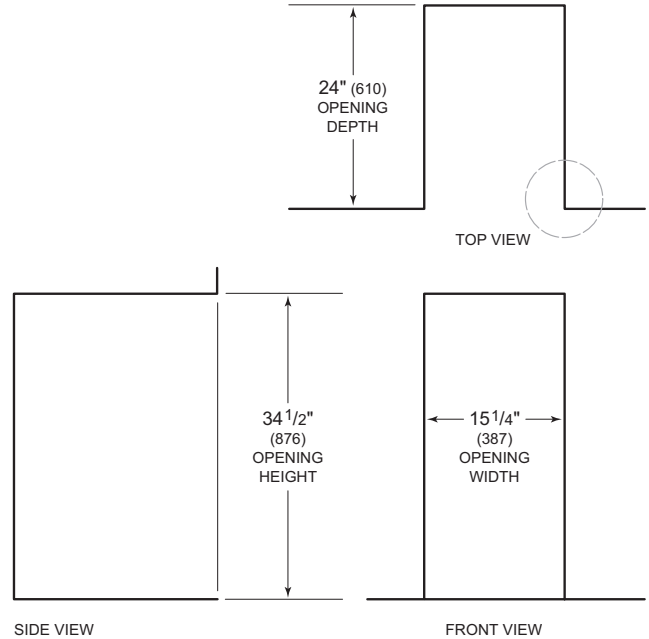
ICE MAKER



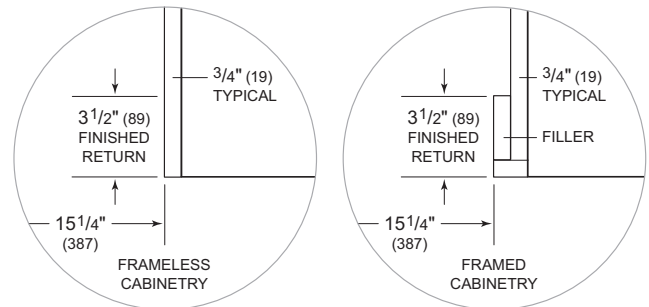
IMPORTANT NOTE: Overall dimensions do not include panels or handles. Dimensions will vary with panel thickness.

Opening Dimensions

ICE MAKER



NOTE: 3 1/2" (89) finished returns will be visible and should be finished to match cabinetry.



The depth of the unit is 23" (584). Allow for panel thickness when planning the finished opening depth. A minimum 3 1/2" (89) finished return is required on all sides of the opening. Framed cabinets require additional finished filler material behind the face frame for a proper installation. Refer to the illustration above.

Electrical Requirements

Locate the electrical supply as shown in the illustration below. A separate circuit servicing only this appliance is required.

IMPORTANT NOTE: For indoor models, a ground fault circuit interrupter (GFCI) is not recommended and may cause interruption of operation.

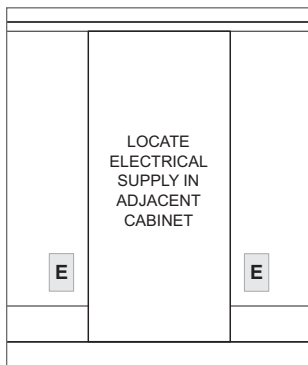
For the outdoor model, a ground fault circuit interrupter (GFCI) is required to reduce the risk of electrical shock.

The electrical outlet must be positioned with the grounding prong to the right of the thinner blades.

Installation must comply with all applicable electrical codes.

ELECTRICAL REQUIREMENTS

Electrical Supply	115 VAC, 60 Hz
Service	15 amp dedicated circuit
Receptacle	3-prong grounding-type



Electrical supply location

Plumbing Requirements

For ease of installation, recess the water shut off into the wall or place it in an adjacent cabinet. Locate the water supply as shown in the illustration below. Connect the water supply line to the house supply with an easily accessible shut-off valve. Do not use self-piercing valves. An in-line filter is required when water conditions have a high sediment content.

IMPORTANT NOTE: A reverse osmosis system can be used provided there is constant water pressure supplied to the unit at all times as indicated in the chart below. A copper line is not recommended for this application.

Installation must comply with all applicable plumbing codes.

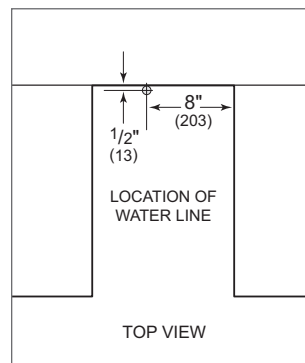
PLUMBING REQUIREMENTS

Water Supply Line	1/4" OD copper, braided stainless steel, or PEX tubing
Water Pressure	20–80 psi (1.4–5.5 bar)
Excess Water Line for Connection	36" (914)

ICE MAKER DRAIN

Ice maker models can be ordered with or without a drain pump. Models without a pump will drain water by gravity. A drain must be installed.

The drain and inlet water tubes must be plumbed before connecting to the ice maker. For the gravity drain, horizontal drain lines must have a 1/4" (6) per 12" (305) fall. An air gap will likely be required between the unit and drain. A stand pipe with a trap below is acceptable for the drain.



Water supply location

Stainless Steel Panel

A stainless steel panel and handle is available through an authorized Sub-Zero dealer. For local dealer information, visit the find a showroom section of our website, subzero.com.

The depth of each model is 23" (584). Allow for panel thickness when planning the finished opening depth.

Custom Panel

A door panel and handle must be provided. Refer to the charts below for panel requirements and dimensions.

The panel cannot exceed the maximum panel weight indicated in the chart below. The depth of each model is 23" (584). Allow for panel thickness when planning the finished opening depth.

⚠ CAUTION

As reveals between cabinetry and the unit decrease, severe finger pinching can occur while the door is closing.

Finish all sides of the custom panel. They may be visible when the door is open. A D-style handle is recommended. Locate the door handle near the edge of the panel opposite the hinge and centered top to bottom.

PANEL REQUIREMENTS

Panel Weight	15 lb (7 kg) max
Panel Thickness	5/8" (16) min – 3/4" (19) max

PANEL DIMENSIONS

	W	H
Ice Maker	15" (381)	30 3/8" (772)

Standard Handles

Optional stainless steel tubular and pro handles are available through an authorized Sub-Zero dealer. For local dealer information, visit the find a showroom section of our website, subzero.com. Refer to the chart below for standard handle lengths.

HANDLE LENGTH	TUBULAR	PRO
Ice Maker	24 1/4" (616)	22 1/2" (572)

Sub-Zero Residential Limited Warranty

FOR RESIDENTIAL USE

FULL TWO YEAR WARRANTY*

For two years from the date of original installation, this Sub-Zero product warranty covers all parts and labor to repair or replace, under normal residential use, any part of the product that proves to be defective in materials or workmanship. All service provided by Sub-Zero under the above warranty must be performed by Sub-Zero Factory Certified Service, unless otherwise specified by Sub-Zero, Inc. Service will be provided during normal business hours.

FULL FIVE YEAR SEALED SYSTEM WARRANTY

For five years from the date of original installation, this Sub-Zero product warranty covers all parts and labor to repair or replace, under normal residential use, these parts that prove to be defective in materials or workmanship: compressor, condenser, evaporator, drier and all connecting tubing. All service provided by Sub-Zero under the above warranty must be performed by Sub-Zero Factory Certified Service, unless otherwise specified by Sub-Zero, Inc. Service will be provided during normal business hours.

LIMITED TWELVE YEAR SEALED SYSTEM WARRANTY

For twelve years from the date of original installation, Sub-Zero will repair or replace the following parts that prove to be defective in materials or workmanship: compressor, condenser, evaporator, drier and all connecting tubing. If the owner uses Sub-Zero Factory Certified Service, the service provider will repair or replace these parts with the owner paying for all other costs, including labor. If the owner uses non-certified service, the owner must contact Sub-Zero, Inc. (using the information below) to receive repaired or replacement parts. Sub-Zero will not reimburse the owner for parts purchased from non-certified service or other sources.

TERMS APPLICABLE TO EACH WARRANTY

The warranty applies only to products installed for normal residential use. The warranty applies only to products installed in any one of the fifty states of the United States, the District of Columbia or the ten provinces of Canada. This warranty does not cover any parts or labor to correct any defect caused by negligence, accident or improper use, maintenance, installation, service or repair.

THE REMEDIES DESCRIBED ABOVE FOR EACH WARRANTY ARE THE ONLY ONES THAT SUB-ZERO, INC. WILL PROVIDE, EITHER UNDER THIS WARRANTY OR UNDER ANY WARRANTY ARISING BY OPERATION OF LAW. SUB-ZERO, INC. WILL NOT BE RESPONSIBLE FOR ANY CONSEQUENTIAL OR INCIDENTAL DAMAGES ARISING FROM THE BREACH OF THIS WARRANTY OR ANY OTHER WARRANTY, WHETHER EXPRESS, IMPLIED OR STATUTORY.

Some states do not allow the exclusion or limitation of incidental or consequential damages, so the above limitation or exclusion may not apply to you. This warranty gives you specific legal rights and you may also have other legal rights that vary from state to state.

To receive parts and/or service and the name of Sub-Zero Factory Certified Service nearest you, contact Sub-Zero, Inc., P.O. Box 44848, Madison, WI 53744; check the Product Support section of our website, subzero.com, email us at customerservice@subzero.com, or call 800-222-7820.

*Stainless steel (doors, panels, handles, product frames and interior surfaces) are covered by a limited 60-day parts and labor warranty for cosmetic defects.

*Replacement water filters and air purification cartridges are not covered by the product warranty.



Sub-Zero Outdoor Limited Warranty*

FOR RESIDENTIAL USE

FULL ONE YEAR WARRANTY**

For one year from the date of original installation, this Sub-Zero product warranty covers all parts and labor to repair or replace, under normal residential use, any part of the product that proves to be defective in materials or workmanship. All service provided by Sub-Zero under the above warranty must be performed by Sub-Zero Factory Certified Service, unless otherwise specified by Sub-Zero, Inc. Service will be provided during normal business hours.

FULL FIVE YEAR SEALED SYSTEM WARRANTY

For five years from the date of original installation, this Sub-Zero product warranty covers all parts and labor to repair or replace, under normal residential use, these parts that prove to be defective in materials or workmanship: compressor, condenser, evaporator, drier and all connecting tubing. All service provided by Sub-Zero under the above warranty must be performed by Sub-Zero Factory Certified Service, unless otherwise specified by Sub-Zero, Inc. Service will be provided during normal business hours.

TERMS APPLICABLE TO EACH WARRANTY

The warranty applies only to products installed for normal residential use. The warranty applies only to products installed in any one of the fifty states of the United States, the District of Columbia or the ten provinces of Canada. This warranty does not cover any parts or labor to correct any defect caused by negligence, accident or improper use, maintenance, installation, service or repair.

THE REMEDIES DESCRIBED ABOVE FOR EACH WARRANTY ARE THE ONLY ONES THAT SUB-ZERO, INC. WILL PROVIDE, EITHER UNDER THIS WARRANTY OR UNDER ANY WARRANTY ARISING BY OPERATION OF LAW. SUB-ZERO, INC. WILL NOT BE RESPONSIBLE FOR ANY CONSEQUENTIAL OR INCIDENTAL DAMAGES ARISING FROM THE BREACH OF THIS WARRANTY OR ANY OTHER WARRANTY, WHETHER EXPRESS, IMPLIED OR STATUTORY.

Some states do not allow the exclusion or limitation of incidental or consequential damages, so the above limitation or exclusion may not apply to you. This warranty gives you specific legal rights and you may also have other legal rights that vary from state to state.

To receive parts and/or service and the name of Sub-Zero Factory Certified Service nearest you, contact Sub-Zero, Inc., P.O. Box 44848, Madison, WI 53744; check the Product Support section of our website, subzero.com, email us at customerservice@subzero.com, or call 800-222-7820.

*Product must be approved for outdoor use, designated by model and serial number.

**Stainless steel (doors, panels, handles, product frames and interior surfaces) are covered by a limited 60-day parts and labor warranty for cosmetic defects.

**Replacement water filters are not covered by the product warranty.





SUBZERO.COM