

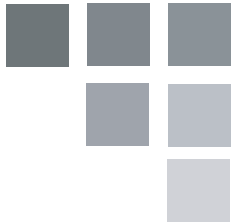


GUÍA DEL USUARIO
OWNER'S MANUAL

MODELO • MODEL
DDY060WDB

PORTABLE DRYER
Owner's Manual.....1 - 12

SÉCHE-LINGE PORTATIF
Manuel du propriétaire.....13 - 24



Welcome

Welcome to the Danby family. We are proud of our quality products and we believe in dependable service. We suggest that you read this owner's manual before plugging in your new appliance as it contains important operation information, safety information, troubleshooting and maintenance tips to ensure the reliability and longevity of your appliance.

Visit www.Danby.com to access self service tools, FAQs and much more. For additional assistance call **1-800-263-2629**.

Note the information below; you will need this information to obtain service under warranty. You must provide the original purchase receipt to validate your warranty and receive service.

Model Number: _____

Serial Number: _____

Date of Purchase: _____

Need Help?

Before you call for service, here are a few things you can do to help us serve you better.

Read this owner's manual:

It contains instructions to help you use and maintain your appliance properly.

If you receive a damaged appliance:

Immediately contact the retailer or builder that sold you the appliance.

Save time and money:

Check the troubleshooting section at the end of this manual before calling. This section will help you solve common problems that may occur.



1-800-26- Danby
(1-800-263-2629)



Important Safety Information

READ AND FOLLOW ALL SAFETY INSTRUCTIONS

IMPORTANT WARNING

DANGER: Risk of child entrapment. Before throwing away an old appliance:

- Remove the door or lid.
- Leave the shelves in place so that children cannot easily climb into the appliance.

GROUNDING INSTRUCTIONS

This appliance must be grounded. In the event of an electrical short circuit, grounding reduces the risk of electrical shock by providing an escape wire for the electrical current.

This appliance is equipped with a cord that has a grounding wire with a grounding plug. The power cord must be plugged into an outlet that is properly grounded. If the outlet is a standard 2-prong wall outlet, it is your responsibility to have it replaced with a properly grounded 3-prong wall outlet. The serial rating plate indicates the voltage and frequency the appliance is designed for.

WARNING - Improper use of the grounding plug can result in a risk of electric shock. Consult a qualified electrician or service agent if the grounding instructions are not completely understood, or if doubt exists as to whether the appliance is properly grounded.

DO NOT USE AN EXTENSION CORD

Do not connect your appliance to extension cords or together with another appliance in the same wall outlet. Do not splice the power cord. Do not under any circumstances cut or remove the third ground prong from the power cord.

If the power supply cord is damaged, it must be replaced by the manufacturer, its service agent or similar qualified person in order to avoid hazard.

SAFETY REQUIREMENTS

Ensure that component parts are replaced with like components and that servicing is done by factory authorized service personnel, to minimize the risk of possible ignition due to incorrect parts or improper service.

This appliance is not intended for use by persons (including children) whose physical, sensory or mental capabilities may be different or reduced, or who lack experience or knowledge, unless such persons receive supervision or training to operate the appliance by a person responsible for their safety.

Children should be supervised to ensure that they do not play with the appliance.

Do not place items exposed to cooking oils in the dryer. Items contaminated with cooking oils may contribute to a chemical reaction that could cause a load to catch fire. To reduce the risk of fire due to contaminated loads, the final part of a tumble dry cycle occurs without heat as a cool down period. Avoid stopping the dryer before the end of the drying cycle unless items can be immediately removed and spread out to allow the accumulated heat to dissipate.



Items that have been soiled with oil products can ignite spontaneously, especially when exposed to heat sources such as in a tumble dryer. The items become warm, causing an oxidation reaction in the oil. Oxidation creates heat. If the heat cannot escape, the items can become hot enough to catch fire. Piling, stacking or storing items that have been soiled with oil can prevent heat from escaping and create a fire hazard.

SAVE THESE INSTRUCTIONS!



Important Safety Information

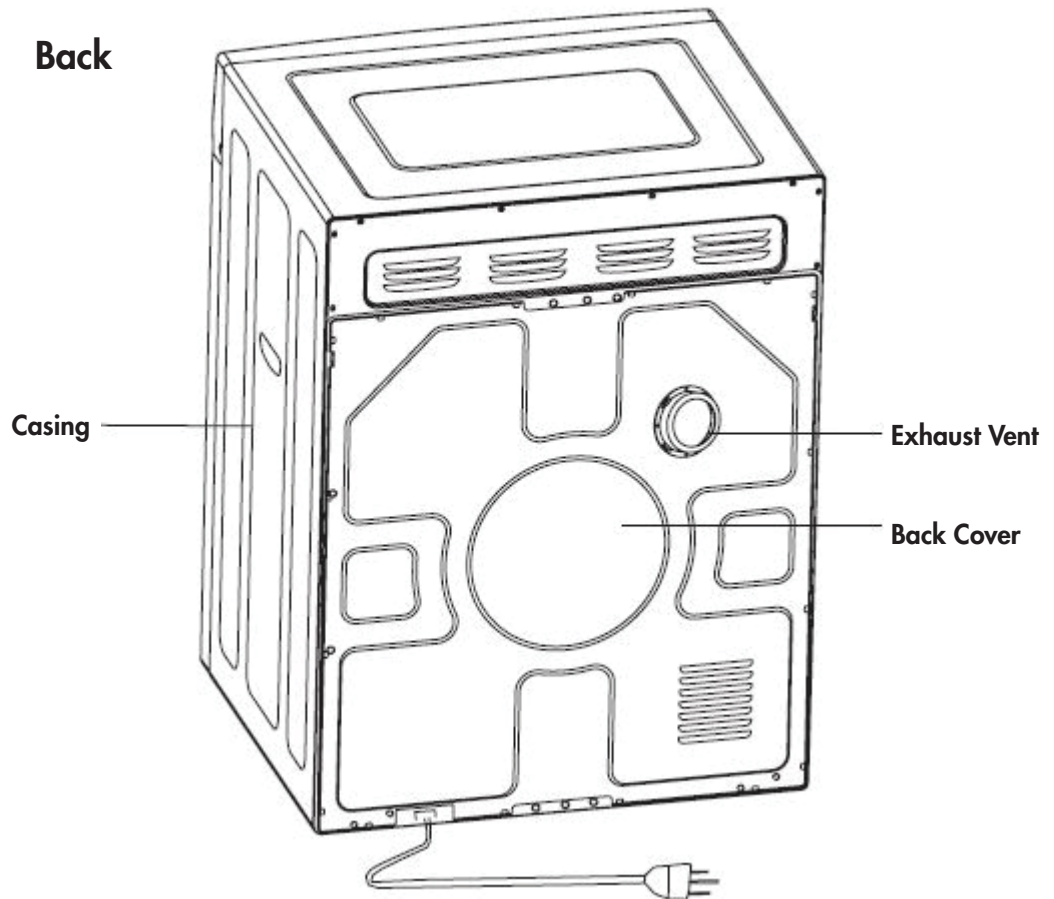
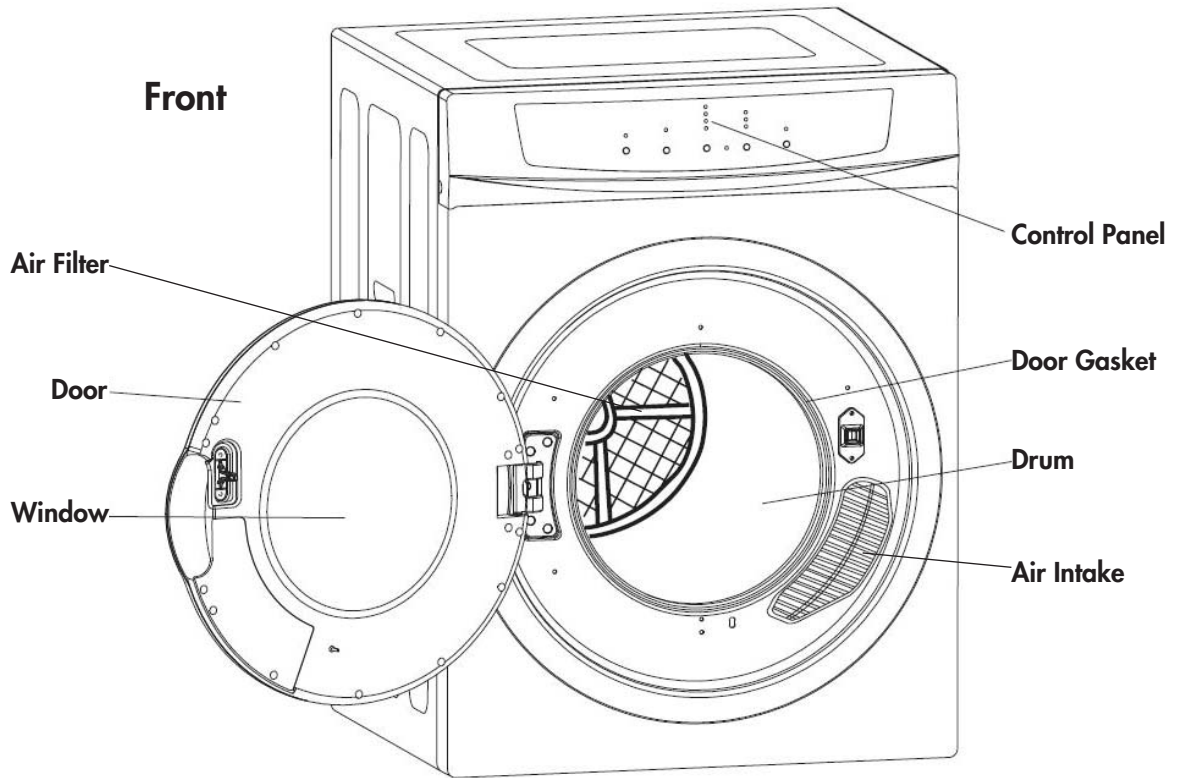
READ AND FOLLOW ALL SAFETY INSTRUCTIONS

- Do not dry articles that have been previously cleaned in, washed in, soaked in or spotted with gasoline, dry-cleaning solvents, or other flammable or explosive substances, as they give off vapours that could ignite or explode.
- Do not reach into the appliance if the drum is moving.
- Do not install or store this appliance where it will be exposed to the weather. This appliance is not intended for use outdoors.
- Do not tamper with the controls.
- Do not use heat to dry articles containing foam rubber or similarly textured rubber-like materials.
- Clean the lint screen before and after each load.
- Keep area around the exhaust opening and adjacent surrounding areas free from the accumulation of lint, dust and dirt.
- The interior of the appliance and exhaust duct should be cleaned periodically by qualified service personnel.
- Do not place the appliance or power cord near heat sources such as radiators, heaters, air ducts or direct sunlight. Do not place open flames such as candles on or near the appliance.
- Do not block any ventilation openings. Ensure that vents are not covered by newspapers, tablecloths, curtains, carpeting, etc.
- Do not run the power cord under floor coverings. Keep the power cord away from high traffic areas where it can become a tripping hazard.
- Do not misuse the power cord. Never carry or pull the appliance by the power cord. Never pull the power cord to unplug it from the outlet, instead, grasp the plug and pull to remove from outlet.
- Do not operate the appliance if it has a damaged power cord or plug. If the power cord is damaged, it must be replaced by the manufacturer, its service agent or similarly qualified persons in order to avoid hazard.
- Do not attempt to repair, disassemble or modify the appliance. The warranty becomes void if the unit is not serviced or repaired by qualified personnel. There are no user-serviceable parts inside.
- Do not over load the appliance.
- Ensure foreign objects do not find their way into the appliance. Remove all objects from pockets such as lighters, matches, hairpins, coins, etc.
- The door window may be hot after a long drying cycle. Ensure that children are kept away from the appliance.
- If the dryer is not wall mounted, ensure that it is placed on a flat, firm surface in a dry, well-ventilated place. Use the adjustable front legs to assist in leveling the appliance if necessary. Do not place the appliance on any soft material such as foam, plastic or carpeting.
- After turning the power off, wait 2 minutes before attempting to turn the unit back on.
- Remove the transport packaging from the back of the unit before first use.
- This unit must be exhausted to the outside. The exhaust air must not be discharged into a flue which is used for exhausting fumes from other appliances that are burning gasoline or other fuels.
- Do not install this appliance behind a lockable door, a sliding door or in such a way that opening the dryer door is restricted. Do not install in a tight fitting cabinet.

SAVE THESE INSTRUCTIONS!

INSTALLATION INSTRUCTIONS

FEATURES



INSTALLATION INSTRUCTIONS

LOCATION


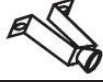



Before you install the dryer, select a location with the following characteristics:

- A hard, level surface. Do not place the dryer on carpeted floor.
- Away from direct sunlight. Direct sunlight may affect the acrylic coating, plastic and electrical components.
- Adequate ventilation. Ventilation openings must not be obstructed.
- Away from sources of heat such as fireplaces or stoves.
- Make sure that the dryer does not stand on its power cord.
- There must be at least 10 cm (4 inches) of space between the the dryer and any adjacent wall.

WALL MOUNTING KIT

A wall mounting kit is included with the unit so that the unit can be secured to the wall if necessary. We recommend using two people to complete the installation as the dryer can be heavy.

The wall mounting kit includes:

Description	Image	Quantity
Hanging brackets		2
Plastic spacers		2
Exhaust connector		1
12 mm long screws		4
25 mm long screws		4

Tools required:

- one drill and 3 mm bit
- one Phillips head screwdriver
- four $\phi 12 \times 50$ mm timber screws

Note:

- A minimum of 50 mm (2 inches) is required between the top of the dryer and the ceiling.
- If mounting above a washing machine, ensure there is enough space above the washing machine to fully open the lid and load or unload the appliance.
- This dryer is not designed to be placed directly on top of a washing machine or any other appliance.

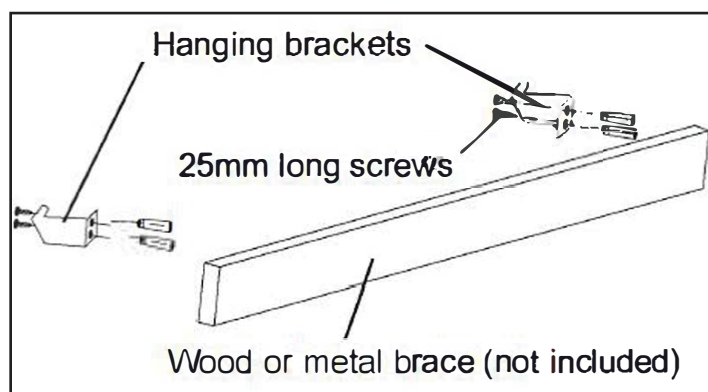
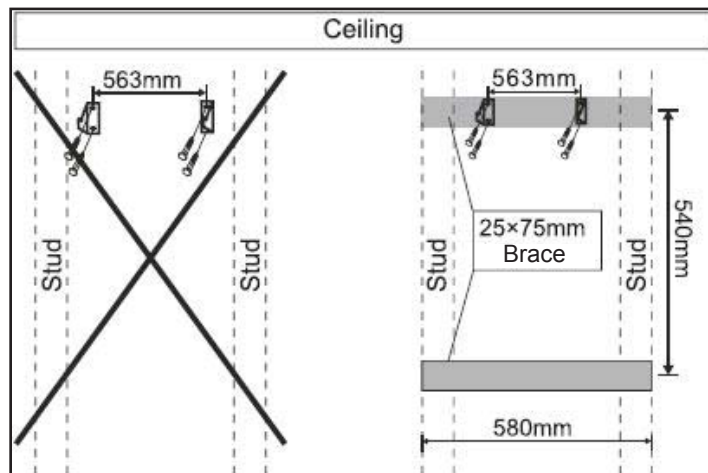
Important: If you wish to install the dryer with a stacking kit, we strongly recommend only using the Danby Dryer with the Danby Laundry Stacking Kit and ensure that you follow all installation instructions that come with the Laundry Stacking Kit.

INSTALLATION INSTRUCTIONS

WALL MOUNTING INSTRUCTIONS

1. Determine where you would like the dryer positioned and mark the required bracket position on the wall.
2. Securely affix the hanging brackets to the wall.
 - The hanging brackets must be screwed into wall studs to ensure the installation is secure.
 - The hanging brackets must be placed no more than 56.3 cm (22.2 inches) apart.
 - If the wall studs are further apart than 56.3 cm (22.2 inches), you must install two braces on the wall, one to hold the hanging brackets and one to brace the plastic spacers.
 - Ensure the braces are screwed directly into the wall studs and then screw the hanging brackets to the brace.

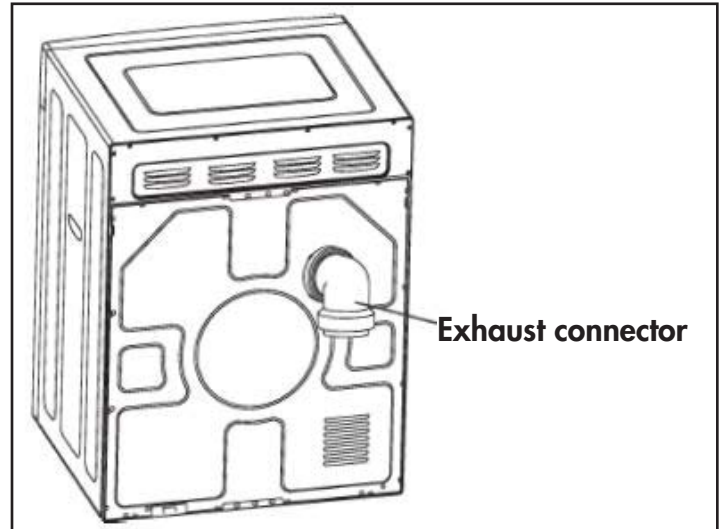
Important note: If the hanging brackets do not align with the wall studs we strongly recommend using a wood or metal brace that will allow at least two screws to be secured into wall studs.



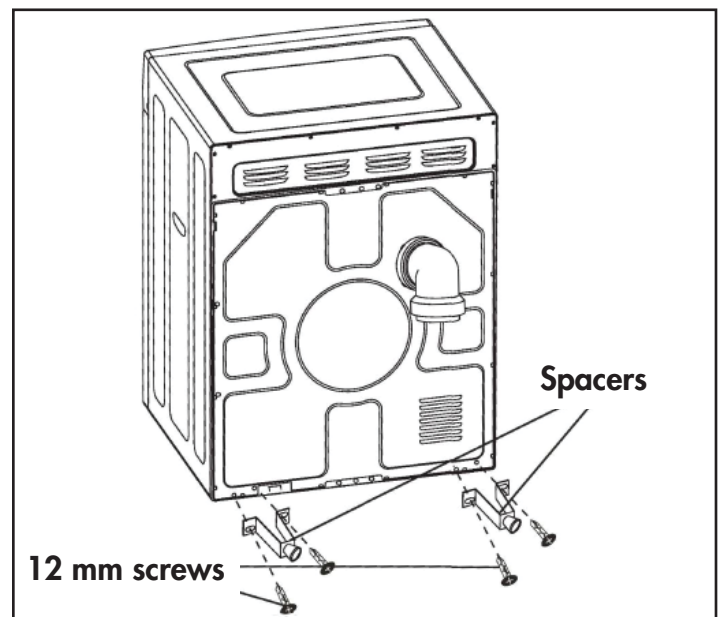
INSTALLATION INSTRUCTIONS

WALL MOUNTING INSTRUCTIONS

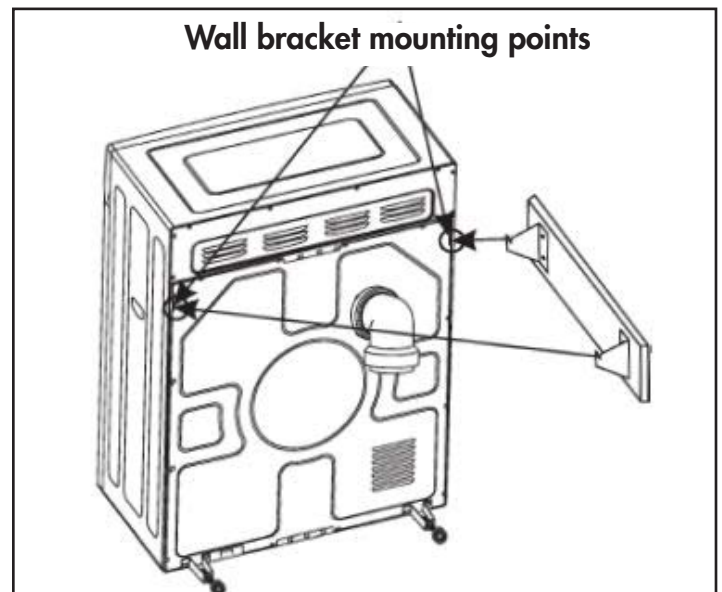
1. Install the exhaust connector on the back of the unit. The exhaust connector can be aimed in any direction that is convenient for your installation.



2. Using four 12mm screws, attach the plastic spacers to the rear of the unit. These spacers will minimize vibration and noise during operation.

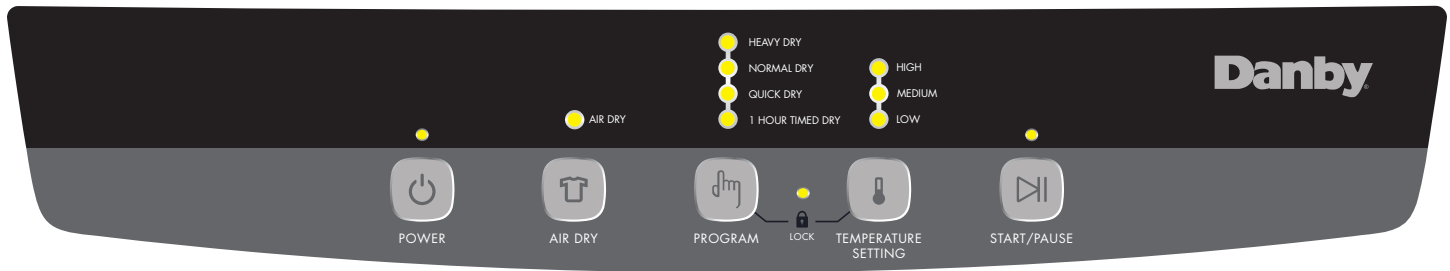


3. With assistance, mount the dryer on the wall bracket.



OPERATING INSTRUCTIONS

CONTROL PANEL



Power: Press the Power button to turn the unit on or off. When the unit is turned on it will beep and the light above the Power button will illuminate. The default program setting is "Heavy Dry" and the default temperature is "High".

Air Dry: The dryer will circulate room temperature air for the first 150 minutes and then circulate hot air for the remaining 22 minutes of the cycle. This is an energy efficient cycle that is intended for delicate clothes or materials that cannot be exposed to excessive heat when cleaned.

Program: Press the program button to scroll through available program settings.

- **Heavy Dry:** The unit will run until the humidity level inside the drum has reached $\leq 35\%$. Maximum running time is 200 minutes.
- **Normal Dry:** The unit will run until the humidity level inside the drum has reached $\leq 40\%$. Maximum running time is 150 minutes.
- **Quick Dry:** The unit will run until the humidity level inside the drum has reached $\leq 45\%$. Maximum running time is 90 minutes.
- **1 hour:** The unit will run for 60 minutes, 50 minutes on full power heating and 10 minutes of air cooling. For this program, temperature selection is disabled.

Temperature: Press the Temperature button to scroll through available temperature settings.

- **High:** Dryer uses two sets of heating elements running simultaneously.
- **Medium:** Dryer uses two sets of heating elements for 10 minutes, then uses one set of elements for another 10 minutes, alternating back and forth for the duration of the program.
- **Low:** Dryer uses one set of heating elements.

Start/Pause: Press the Start/Pause button to start the drying program. The light above the Start/Pause button will illuminate to indicate that the program has started. While the unit is running, press the Start/Pause button to pause the drying program. Press the Start/Pause button again to resume the selected program.

Lock: When the dryer is running, press and hold the Program and Temperature buttons at the same time for 3 seconds to lock the control panel. The light above the lock icon will illuminate to indicate that the control panel is locked. While locked, the buttons will not work if pressed. To unlock the control panel, press and hold the Program and Temperature buttons at the same time for 3 seconds.

Drying Capacity	Dry Time - High	Dry Time - Low
Approx. 2 Kg (4.4 Lbs)	Approx. 60 min.	Approx. 90 min.
Approx. 3 Kg (6.6 Lbs)	Approx. 90 min.	Approx. 150 min.
Approx. 4 Kg (8.8 Lbs)	Approx. 150 min.	Approx. 200 min.
Approx. 6 Kg (13.2 Lbs)	Approx. 200 min.	-

Note: 1 Kg = 2.2 Lbs

Note: Drying times can be affected by many factors such as type of material, bulkiness, how full the dryer is, etc. The chart is meant as a guide only.

OPERATING INSTRUCTIONS

OPERATING INSTRUCTIONS

- The maximum capacity of the unit is 6 Kgs (13.2 Lbs) of dry textile material. Do not over load.
- It is recommended that items be added to the dryer one at a time to avoid tangling which can result in uneven drying.
- Check the pockets of all items to be dried, ensure that foreign objects do not enter the unit such as lighters, hair pins, coins, etc.
- Turn items with zippers inside out and fasten all buckles.
- Dryer heat may permanently set stains, ensure all stains are removed prior to putting items in the dryer.
- Separate light and dark coloured items to ensure the colours do not bleed.
- For best results load the dryer with similar fabrics.
- Delicate items should be placed into a nylon net bag prior to drying. Do not place underwire bras in a dryer.
- Do not add items to the dryer when it is in operation.
- If drying large items such as blankets or heavy loads of laundry, it is recommended that you periodically pause the program, open the dryer door, shake the large item or turn over the heavy load and then restart the drying cycle. This will ensure even drying.
- If the door is opened during operation and not correctly closed, an alarm will sound for 10 seconds. The alarm will pause for 6 minutes and then sound again for 10 seconds every 6 minutes until the door is closed. The appliance cannot function while the door is open. Once the door is closed, press the Start/Pause button to resume operation.

Prior to loading the dryer check that the items you are drying do not have the following symbols on them as items marked with these symbols should not be placed in a dryer:



Dry flat



Dry in the shade



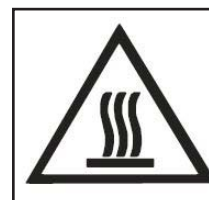
Do not tumble dry



Hang to dry



Drip dry



CAUTION! HOT SURFACE

Do not touch the air intake during the drying cycle due to high temperatures.



WARNING!

To reduce the risk of fire, this unit must be exhausted to the outdoors.

CARE & MAINTENANCE

Cleaning the lint filter

Unplug the power cord prior to any cleaning. The lint filter must be in place when the unit is running and should be cleaned before and after every load.

1. Removing the lint filter.

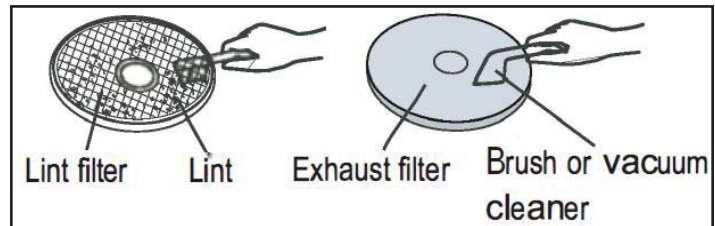
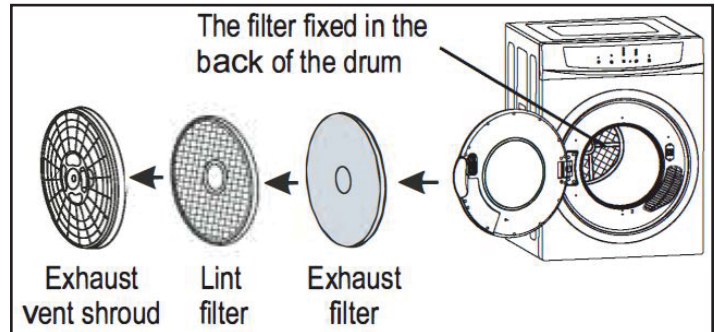
- Remove the filter by gently pulling outwards on the center of the exhaust vent shroud.
- The filter has three parts: exhaust vent shroud, lint filter and exhaust filter.

2. Cleaning the lint filter.

- Separate the three pieces of the filter.
- Remove lint with a soft brush or vacuum cleaner.

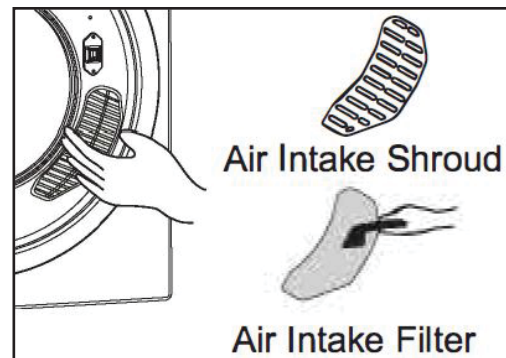
3. Replacing the lint filter.

- After cleaning, reassemble the exhaust vent shroud, the lint filter and the exhaust filter.
- Ensure the filter assembly is firmly installed in the unit.



Cleaning the air intake filter

The air intake filter should be cleaned once a month. Remove the air intake filter by holding the upper and lower ends and pulling outward. Remove the filter and clean it with a soft brush. Reassemble and install in the unit.



Cleaning the interior and exterior

- Do not immerse any part of the unit in water.
- Do not use thinner, gasoline or alcohol on or near the unit as the residue and fumes can cause a fire.
- Do not use any type of spray cleaner on the interior of the unit. If the drum becomes stained, clean with a damp cloth.
- Remove any residue before drying the next load.
- Clean cabinet with mild soap and water. Do not use harsh or abrasive cleaners.

TROUBLESHOOTING

Danby Consumer Care: 1-800-263-2629

Hours of operation:

Monday to Thursday 8:30 am - 6:00 pm Eastern Standard Time

Friday 8:30 am - 4:00 pm Eastern Standard Time

Information in this manual is subject to change without notice.

PROBLEM	POSSIBLE CAUSE
Dryer does not operate	<ul style="list-style-type: none">• The appliance is not plugged in.• The circuit breaker tripped or a blown fuse.
Dryer drum does not turn.	<ul style="list-style-type: none">• The door is not fully closed.• The power plug is unplugged.• The outlet does not have power.
The laundry is not thoroughly dried.	<ul style="list-style-type: none">• The lint filter or air intake filter are clogged.• There is too much laundry in the dryer.• Wet items were added during the drying cycle.• The laundry has become twisted while drying.• The dryer has been placed in a small or badly ventilated area.• Dryer vent is blocked.

LIMITED "IN HOME" WARRANTY

This quality product is warranted to be free from manufacturer's defects in material and workmanship, provided that the unit is used under the normal operating conditions intended by the manufacturer.

This warranty is available only to the person to whom the unit was originally sold by Danby Products Limited (Canada) or Danby Products Inc. (U.S.A.) (hereafter "Danby") or by an authorized distributor of Danby, and is non-transferable.

TERMS OF WARRANTY

Plastic parts are warranted for thirty (30) days from the date of purchase, with no extensions provided.

First 12 months During the first **twelve (12) months**, any functional parts of this product found to be defective, will be repaired or replaced, at warrantor's option, at no charge to the original purchaser.

To obtain service Contact the dealer where the unit was purchased, or contact the nearest authorized Danby service depot, where service must be performed by a qualified service technician. If service is performed on the unit by anyone other than an authorized service depot, all obligations of Danby under this warranty shall be void.

Boundaries of in-home service Danby reserves the right to limit the boundaries of "In Home Service" to the proximity of an authorized service depot. Any appliance requiring service outside the limited boundaries of "In Home Service", will be the consumer's responsibility to transport at their own expense to the original point of purchase or a service depot for repair. If the appliance is installed in a location that is **100 kilometers (62 miles)** or more from the nearest service center, it must be delivered to the nearest authorized Danby Service Depot by the purchaser.

Transportation charges to and from the service location are not protected by this warranty and are the responsibility of the purchaser.

Nothing within this warranty shall imply that Danby will be responsible or liable for any spoilage or damage to food or other contents of this appliance, whether due to any defect of the appliance, or its use, whether proper or improper.

EXCLUSIONS

Save as herein provided, by Danby, there are no other warranties, conditions, representations or guarantees, express or implied, made or intended by Danby or its authorized distributors and all other warranties, conditions, representations or guarantees, including any warranties, conditions, representations or guarantees under any Sale of Goods Act or like legislation or statute is hereby expressly excluded. Save as herein provided, **Danby shall not be responsible for any damages to persons or property, including the unit itself, howsoever caused or any consequential damages arising from the malfunction of the unit and by the purchase of the unit, the purchaser does hereby agree to indemnify and hold harmless Danby from any claim for damages to persons or property caused by the unit.**

GENERAL PROVISIONS

No warranty or insurance herein contained or set out shall apply when damage or repair is caused by any of the following:

- 1) Power failure.
- 2) Damage in transit or when moving the appliance.
- 3) Improper power supply such as low voltage, defective house wiring or inadequate fuses.
- 4) Accident, alteration, abuse or misuse of the appliance such as inadequate air circulation in the room or abnormal operating conditions (ie. extremely high or low room temperature).
- 5) Use for commercial or industrial purposes (ie. If the appliance is not installed in a domestic residence).
- 6) Fire, water damage, theft, war, riot, hostility, acts of God such as hurricanes, floods etc.
- 7) Service calls resulting in customer education.
- 8) Improper Installation (ie. Building-in of a free standing appliance or using an appliance outdoors that is not approved for outdoor application, including but not limited to: garages, patios, porches or anywhere that is not properly insulated or climate controlled).

Proof of purchase date will be required for warranty claims; retain bills of sale. In the event that warranty service is required, present the proof of purchase to our authorized service depot.

**Warranty Service
In Home**

Danby Products Limited
PO Box 1778, Guelph, Ontario, Canada N1H 6Z9
Telephone: (519) 837-0920 FAX: (519) 837-0449

**1-800-263-2629
04/17**

Danby Products Inc.
PO Box 669, Findlay, Ohio, U.S.A. 45840
Telephone: (419) 425-8627 FAX: (419) 425-8629

Bienvenue

Bienvenue à la famille Danby. Nous sommes fiers de la qualité de nos produits et nous croyons en le service fiable. Nous vous suggérons de lire ce manuel d'utilisation avant de brancher votre nouvel appareil car il contient des informations importantes sur l'utilisation, la sécurité, le dépannage et la maintenance, afin d'assurer la fiabilité et la longévité de votre appareil.

Visitez www.Danby.com pour accéder aux outils d'autoservice, aux FAQ et bien plus encore. Pour obtenir de l'aide supplémentaire, composez **1-800-263-2629**.

Notez les informations ci-dessous; Vous aurez besoin de cette information pour obtenir un service sous garantie.

Vous devez fournir le reçu d'achat original pour valider votre garantie et recevoir le service.

Numéro de modèle: _____

Numéro de serie: _____

Date d'achat: _____

Besoin d'assistance?

Avant d'appeler pour service, voici quelques choses que vous pouvez faire pour nous aider à mieux vous servir.

Lire ce manuel du propriétaire:

Il contient des instructions pour vous aider à utiliser et à maintenir votre appareil correctement.

Si vous recevez un appareil endommagé:

Contactez immédiatement le revendeur ou l'entrepreneur qui vous a vendu l'appareil.

Gagnez du temps et de l'argent:

Avant d'appeler pour service, consultez la section de dépannage à la fin de ce manuel. Cette section vous aidera à résoudre les problèmes courants pouvant survenir.



1-800-26- Danby
(1-800-263-2629)



Consignes de sécurité importantes

LIRE ET SUIVRE TOUTES LES INSTRUCTIONS DE SÉCURITÉ

AVERTISSEMENT IMPORTANT

DANGER : Risque de piéger un enfant. Avant de jeter votre ancien appareil:

- Enlever la porte ou le couvercle.
- Laisser les tablettes en place afin que les enfants ne puissent pas facilement y entrer.

INSTRUCTIONS DE MISE À LA TERRE

Cet appareil doit être mis à la terre. En cas de court-circuit, la mise à la terre réduit les risques de décharge électrique en fournissant un échappatoire au courant électrique.

Cet appareil est équipé d'un cordon doté d'un fil de mise à la terre avec une fiche de mise à la terre. Le cordon d'alimentation doit être branché sur une prise correctement mise à la terre. Si la sortie est une prise murale à 2 broches standard, il est de votre responsabilité de la remplacer par une prise murale à 3 broches correctement mise à la terre. La tension et la fréquence requises pour cet appareil sont indiquées sur la plaque d'identification.

AVERTISSEMENT - Une fiche de mise à la terre mal branchée peut entraîner un risque d'incendie, de choc électrique ou de blessures aux personnes qui utilisent l'appareil. Si vous n'êtes pas certain que l'appareil est correctement mis à la terre, consultez un préposé du service qualifié.

N'UTILISER JAMAIS DE FIL DE RALLONGE

Ne connectez pas votre appareil aux rallonges ou avec un autre appareil dans la même prise murale. Ne pas épisser le cordon d'alimentation. Ne coupez ou retirez en aucun cas la troisième broche du cordon d'alimentation.

Si le cordon d'alimentation est endommagé, il doit être remplacé par le fabricant, son agent de service ou une personne qualifiée similaire afin d'éviter tout risque.



Les articles qui ont été souillés avec des produits pétroliers peuvent s'enflammer spontanément, surtout lorsqu'ils sont exposés à des sources de chaleur comme dans un séchoir à tambour. Les articles deviennent chauds, provoquant une réaction d'oxydation dans l'huile. L'oxydation crée de la chaleur. Si la chaleur ne peut pas s'échapper, les articles peuvent devenir assez chaud pour prendre feu. Empiler, empiler ou entreposer des objets souillés d'huile peut empêcher la chaleur de s'échapper et créer un risque d'incendie.

EXIGENCES DE SÉCURITÉ

Assurez-vous que les composants sont remplacés par des composants similaires et que l'entretien est effectué par le personnel de service autorisé en usine, afin de minimiser le risque d'allumage possible en raison de pièces incorrectes ou d'un mauvais service.

Ce dispositif n'est pas désigné d'être utilisé par des personnes (y compris enfants) dont le développement et capacité physique, sensoriel ou mental est différente ou réduite, ou par les personnes qui manquent expérience ou connaissance sauf si ces personnes sont surveillés ou formés par une personne responsable de leur sécurité.

Les enfants doivent être surveillés pour s'assurer qu'ils ne jouent pas avec l'appareil.

Ne placez pas les objets exposés aux huiles de cuisson dans la sècheuse. Les articles contaminés avec des huiles de cuisson peuvent contribuer à une réaction chimique qui pourrait provoquer l'incendie d'une charge. Pour réduire le risque d'incendie dû à des charges contaminées, la partie finale d'un cycle de séchage par culbutage se produit sans chaleur pendant une période de refroidissement. Évitez d'arrêter la sècheuse avant la fin du cycle de séchage, à moins que les articles ne puissent être immédiatement enlevés et étalés pour permettre à la chaleur accumulée de se dissiper.

GARDER CES INSTRUCTIONS!



Consignes de sécurité importantes

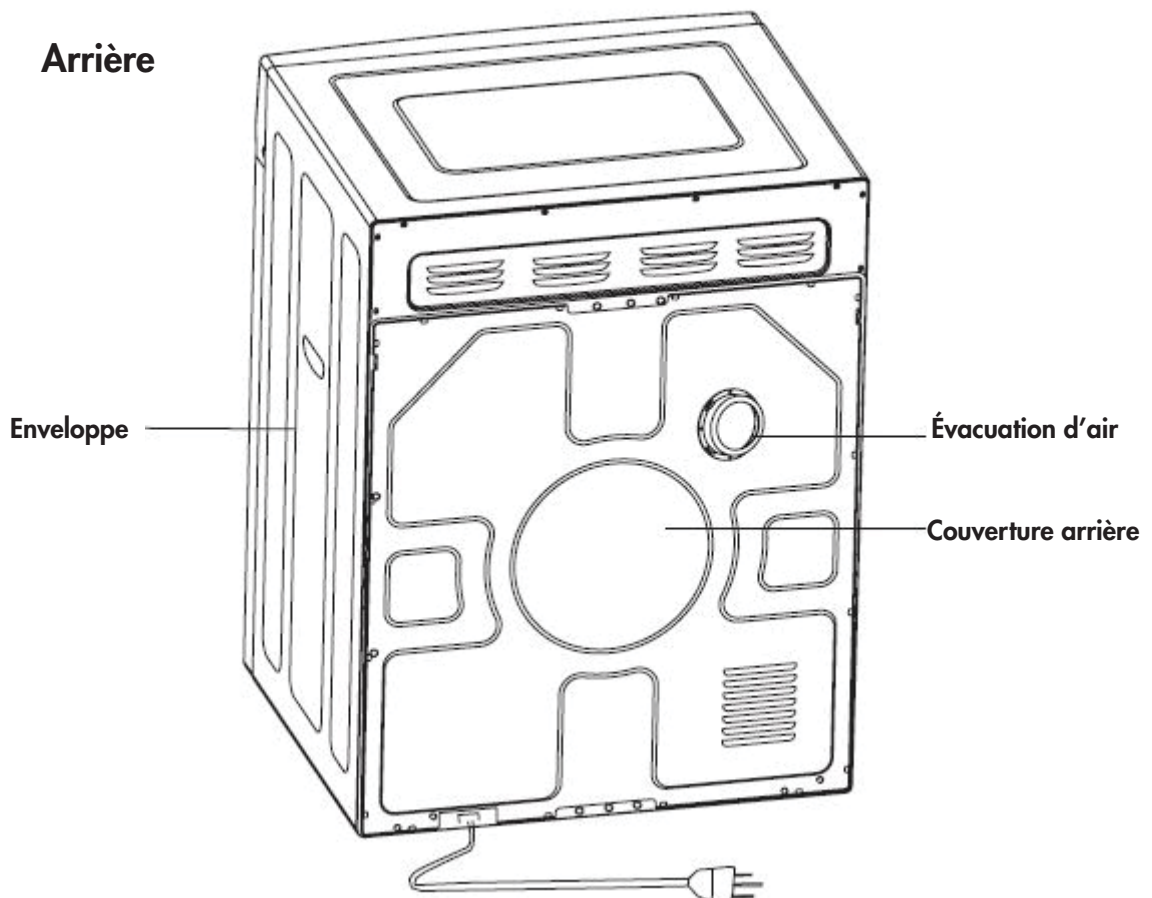
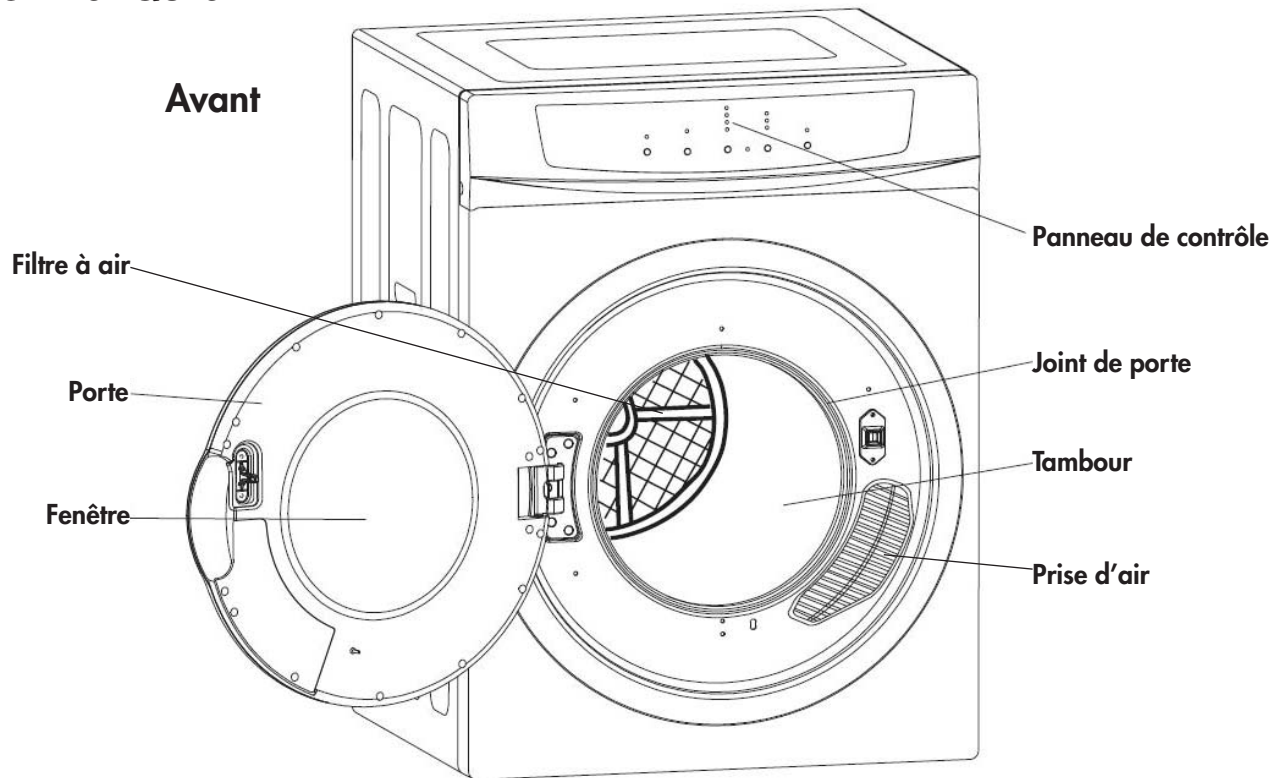
LIRE ET SUIVRE TOUTES LES INSTRUCTIONS DE SÉCURITÉ

- Ne pas sécher les articles qui ont été préalablement nettoyés, lavés, trempés ou tachés à l'aide d'essence, de solvants de nettoyage à sec ou d'autres substances inflammables ou explosives, car ils dégagent des vapeurs qui pourraient s'enflammer ou exploser.
- Ne pas mettre la main dans l'appareil si le tambour est en mouvement.
- N'installez pas et ne rangez pas cet appareil dans un endroit exposé aux intempéries. Cet appareil n'est pas destiné à être utilisé à l'extérieur.
- Ne pas trafiquer les commandes.
- Ne pas utiliser de chaleur pour sécher des articles contenant du caoutchouc mousse ou des matériaux semblables à du caoutchouc de texture similaire.
- Nettoyez le filtre à peluche avant et après chaque charge.
- Gardez la zone autour de l'ouverture d'échappement et les zones environnantes adjacentes exemptes d'accumulation de peluches, de poussières et de saletés.
- L'intérieur de l'appareil et le conduit d'évacuation doivent être nettoyés périodiquement par un personnel qualifié.
- Ne placez pas l'appareil ou le cordon d'alimentation près de sources de chaleur telles que des radiateurs, des chauffages, des conduits d'air ou la lumière directe du soleil. Ne placez pas de flammes nues telles que des bougies sur ou près de l'appareil.
- Ne pas obstruer les ouvertures de ventilation. Assurez-vous que les événements ne sont pas couverts par les journaux, les nappes, les rideaux, les tapis, etc.
- N'utilisez pas le cordon d'alimentation sous les revêtements de sol. Gardez le cordon d'alimentation à l'écart des zones à forte circulation où il peut devenir un risque de déclenchement.
- N'utilisez pas le cordon d'alimentation de façon incorrecte. Ne jamais transporter ou tirer l'appareil par le cordon d'alimentation. Ne tirez jamais sur le cordon d'alimentation pour le débrancher de la prise, mais saisissez la fiche et tirez pour la retirer de la prise.
- N'utilisez pas l'appareil s'il présente un cordon d'alimentation ou une prise endommagés. Si le cordon d'alimentation est endommagé, il doit être remplacé par le fabricant, son agent de service ou des personnes qualifiées de manière similaire afin d'éviter tout risque.
- N'essayez pas de réparer, de démonter ou de modifier l'appareil. La garantie devient nulle si l'appareil n'est pas réparé ou réparé par du personnel qualifié. Il n'y a pas de pièces réparables par l'utilisateur.
- Ne surchargez pas l'appareil.
- S'assurer que les objets étrangers ne se trouvent pas dans l'appareil. Retirez tous les objets des poches telles que briquets, allumettes, épingles à cheveux, pièces de monnaie, etc.
- La fenêtre de porte peut être chaude après un long cycle de séchage. Veillez à ce que les enfants soient éloignés de l'appareil.
- Si le séchoir n'est pas fixé au mur, assurez-vous qu'il est placé sur une surface plane et ferme dans un endroit sec et couvert de gaz. Utilisez les pieds avant réglables pour faciliter le nivellement de l'appareil si nécessaire. Ne placez pas l'appareil sur une matière molle telle que de la mousse, du plastique ou du tapis.
- Après avoir mis l'appareil hors tension, attendez 2 minutes avant de remettre l'appareil sous tension.
- Retirez l'emballage de transport de l'arrière de l'appareil avant la première utilisation.
- Cet appareil doit être épuisé vers l'extérieur. L'air évacué ne doit pas être évacué dans une cheminée qui sert à évacuer les fumées d'autres appareils qui brûlent de l'essence ou d'autres carburants.
- N'installez pas cet appareil derrière une porte verrouillable, une porte coulissante ou de façon à ce que l'ouverture de la porte de la sècheuse soit limitée. Ne pas installer dans un meuble.

GARDER CES INSTRUCTIONS!

INSTRUCTIONS D'INSTALLATION

CARACTÉRISTIQUES



INSTRUCTIONS D'INSTALLATION

EMPLACEMENT




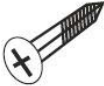

Avant d'installer la sècheuse, sélectionnez un emplacement avec les caractéristiques suivantes:

- Une surface dure et plane. Ne placez pas la sècheuse sur un sol moquette.
- Loin de la lumière directe du soleil. La lumière directe du soleil peut affecter le revêtement acrylique, plastique et composants électriques.
- Ventilation adéquate. Les ouvertures de ventilation ne doivent pas être obstruées.
- Loin des sources de chaleur comme les cheminées ou les poêles.
- Assurez-vous que le séchoir ne se trouve pas sur son cordon d'alimentation.
- Il doit y avoir au moins 10 cm (4 pouces) d'espace entre le sécheur et tout mur adjacent.

KIT DE MONTAGE MUR

Un kit de montage mural est fourni avec l'appareil afin que l'unité puisse être fixée au mur si nécessaire. Nous recommandons d'utiliser deux personnes pour terminer l'installation car le séchoir peut être lourd.

Le kit de montage mural comprend:

Description	Image	Quantité
Supports de suspension		2
Entretoises en plastique		2
Connecteur d'échappement		1
12 mm vis		4
25 mm vis		4

Outils nécessaires:

- un foret et un bit de 3 mm
- un tournevis Phillips
- quatre $\phi 12 \times 50$ mm vis à bois

Remarque:

- Un minimum de 50 mm (2 pouces) est nécessaire entre le haut de la sècheuse et le plafond.
- Si vous placez au-dessus d'une machine à laver, assurez-vous qu'il y a assez d'espace au-dessus de la machine à laver pour ouvrir complètement le couvercle et charger ou décharger l'appareil.
- Ce séchoir n'est pas conçu pour être placé directement sur le dessus d'une machine à laver ou tout autre appareil.

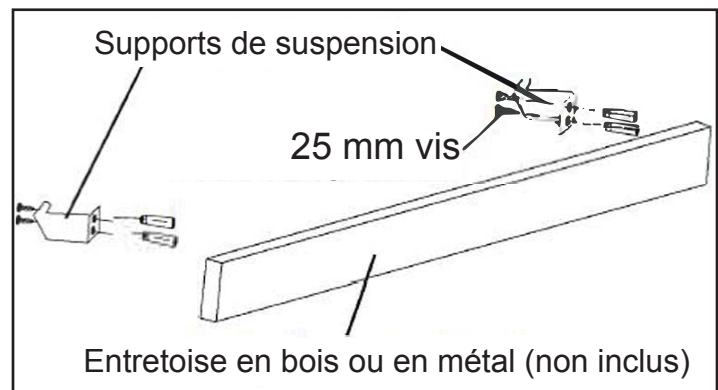
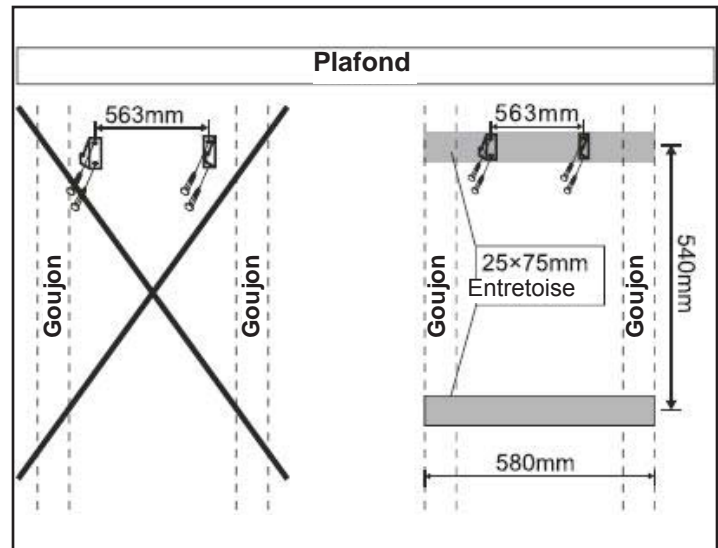
Important: Si vous désirez installer la sècheuse avec un kit d'empilage, nous vous recommandons vivement d'utiliser le dessiccateur Danby avec le kit d'empilage Danby et de vous assurer que vous suivez toutes les instructions d'installation fournies avec le kit d'empilage de linge.

INSTRUCTIONS D'INSTALLATION

INSTRUCTIONS DE MONTAGE PAR MUR

1. Déterminer où vous souhaitez que le sècheur positionné et de marquer la position du support requis sur le mur.
2. Fixer solidement les supports de suspension au mur.
 - Les supports de suspension doivent être vissés dans des montants de paroi pour assurer l'installation est sécurisé.
 - Les supports de suspension ne peuvent pas être séparés par plus de 56,3 cm (22,2 pouces).
 - Si les poteaux du mur sont plus éloignés que 56,3 cm (22,2 pouces), vous devez installer deux accolades sur le mur, une pour tenir les supports de suspension et une pour attacher les entretoises en plastique.
 - Assurez-vous que les accolades sont vissées directement dans les goujons du mur, puis visser les supports de suspension à l'accolade.

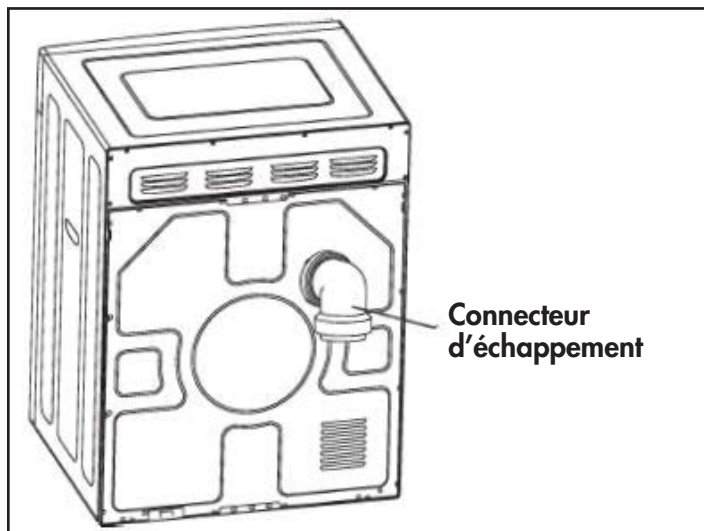
Remarque importante: Si les supports de suspension ne sont pas alignés avec les goujons du mur, nous vous recommandons fortement d'utiliser un étrier en bois ou en métal qui permettra au moins deux vis d'être fixées dans des montants.



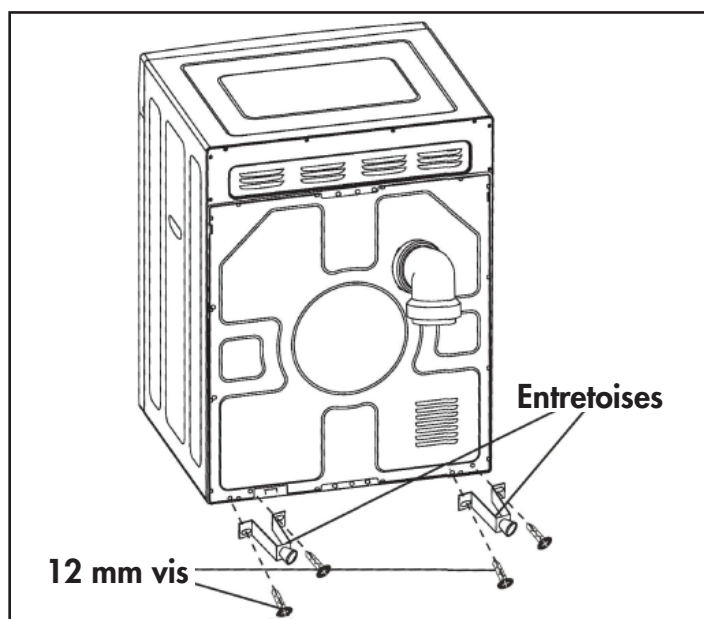
INSTRUCTIONS D'INSTALLATION

INSTRUCTIONS DE MONTAGE PAR MUR

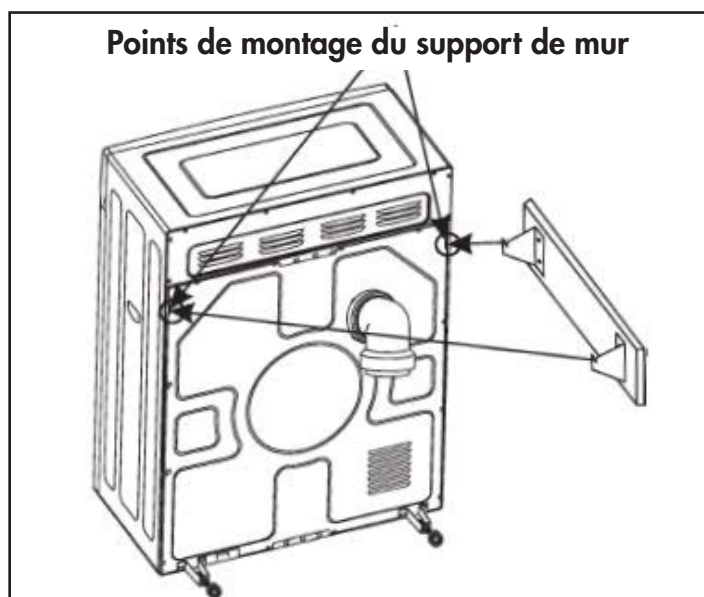
1. Installez le connecteur d'échappement à l'arrière de l'appareil. Le connecteur d'échappement peut être orienté dans n'importe quelle direction qui convient à votre installation.



2. À l'aide de quatre vis de 12 mm, fixez les entretoises en plastique à l'arrière de l'appareil. Ces entretoises minimisent les vibrations et le bruit pendant le fonctionnement.

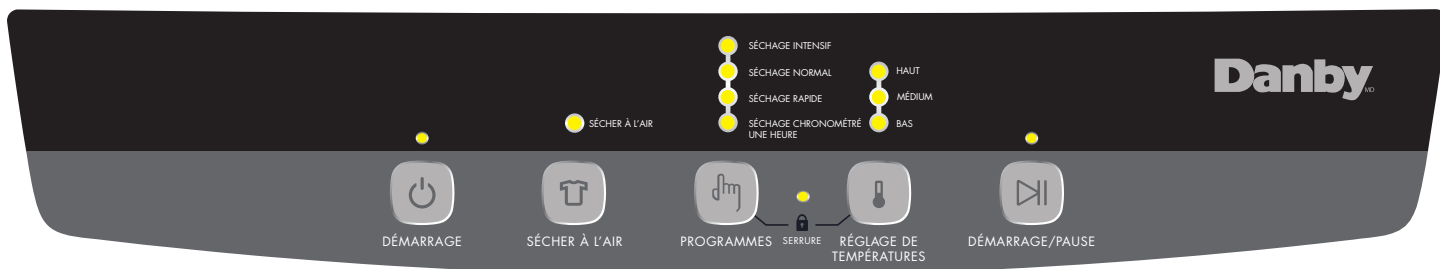


3. Avec l'aide, montez la sécheuse sur le support mural.



CONSIGNES D'UTILISATION

PANNEAU DE COMMANDE



Démarrage: Appuyez sur le bouton démarrage pour allumer ou éteindre l'appareil. Lorsque l'appareil est allumé, il émet un bip et la lumière au-dessus du bouton démarrage s'allume. Le paramètre de programme par défaut est "Séchage intensif" et la température par défaut est "Haute".

Séchage à l'air: Le sècheur fait circuler de l'air à température ambiante pendant les 150 premières minutes, puis fait circuler de l'air chaud pendant les 22 minutes restantes du cycle. Il s'agit d'un cycle éconergétique qui est destiné à des vêtements délicats ou des matériaux qui ne peuvent pas être exposés à une chaleur excessive lors du nettoyage.

Programme: Appuyez sur la touche de programmation pour faire défiler les paramètres de programme disponibles.

- **Séchage intensif:** L'appareil fonctionnera jusqu'à ce que le niveau d'humidité à l'intérieur du tambour ait atteint $\leq 35\%$. Le temps de fonctionnement maximum est de 200 minutes.
- **Séchage normal:** L'unité fonctionnera jusqu'à ce que le niveau d'humidité à l'intérieur du tambour ait atteint $\leq 40\%$. Le temps de fonctionnement maximum est de 150 minutes.
- **Séchage rapide:** L'unité fonctionnera jusqu'à ce que le niveau d'humidité à l'intérieur du tambour ait atteint $\leq 45\%$. Le temps de fonctionnement maximum est de 90 minutes.
- **Séchage chronomètre une heure:** L'appareil fonctionnera pendant 60 minutes, 50 minutes en pleine puissance de chauffage et 10 minutes de refroidissement par air. Pour ce programme, la sélection de la température est désactivée.

Réglage de température: Appuyez sur le bouton réglage de température pour faire défiler les paramètres de température disponibles.

- **Haute:** La sècheuse utilise deux jeux d'éléments chauffants fonctionnant simultanément.
- **Médium:** La sècheuse utilise deux ensembles d'éléments chauffants pendant 10 minutes, puis utilise un ensemble d'éléments pendant 10 minutes supplémentaires, alternant en va-et-vient pour la durée du programme.
- **Bas:** La sècheuse utilise un ensemble d'éléments chauffants.

Démarrage/Pause: Appuyez sur le bouton Démarrer/Pause pour lancer le programme de séchage. Le voyant au-dessus du bouton Démarrer/Pause s'allume pour indiquer que le programme a démarré. Pendant que l'appareil est en marche, appuyez sur le bouton Démarrer/Pause pour interrompre le programme de séchage. Appuyez de nouveau sur le bouton Démarrer/Pause pour reprendre le programme sélectionné.

Verrou: Lorsque le séchoir est en marche, maintenez enfoncées les touches de programmation et de température en même temps pendant 3 secondes pour verrouiller le panneau de commande. Le voyant au-dessus de l'icône de verrouillage s'allume pour indiquer que le panneau de commande est verrouillé. Lorsqu'ils sont verrouillés, les boutons ne fonctionnent pas s'ils sont enfoncés. Pour déverrouiller le panneau de commande, appuyez et maintenez enfoncés les boutons de programme et de température en même temps pendant 3 secondes.

Capacité de séchage	Temps de séchage - intensif	Temps de séchage - rapide
Environ 2 Kg (4.4 Lbs)	Environ 60 min.	Environ 90 min.
Environ 3 Kg (6.6 Lbs)	Environ 90 min.	Environ 150 min.
Environ 4 Kg (8.8 Lbs)	Environ 150 min.	Environ 200 min.
Environ 6 Kg (13.2 Lbs)	Environ 200 min.	-

Remarque: 1 kg = 2,2 Lbs

Remarque: Le temps de séchage peut être influencé par de nombreux facteurs, tels que le type de matériau, la masse volumique, le degré de séchage, etc.

CONSIGNES D'UTILISATION

CONSIGNES D'UTILISATION

- La capacité maximale de l'appareil est de 6 Kgs (13,2 Lbs) de matière textile sèche. Ne pas surcharger.
- Il est recommandé que les articles soient ajoutés à la sècheuse une à la fois pour éviter l'enchevêtrement qui peut entraîner un séchage inégal.
- Vérifiez les poches de tous les articles à sécher, veillez à ce que des objets étrangers ne pénètrent pas dans l'appareil tels que briquets, épingles à cheveux, pièces de monnaie, etc.
- Tourner les articles avec des fermetures à glissière à l'envers et attacher toutes les boucles.
- La chaleur de la sècheuse peut fixer définitivement les taches, s'assurer que toutes les taches sont enlevées avant de mettre des articles dans la sècheuse.
- Séparer les éléments clairs et foncés afin d'assurer que les couleurs ne saignent pas.
- Pour de meilleurs résultats, chargez la sècheuse avec des tissus similaires.
- Les articles délicats doivent être placés dans un sac en nylon avant de sécher. Ne placez pas de soutiens-gorge à armature dans un sèche-linge.
- N'ajoutez pas d'articles à la sècheuse quand elle est en marche.
- Si vous essayez des articles de grande taille tels que des couvertures ou de lourdes charges de linge, il est recommandé de suspendre périodiquement le programme, d'ouvrir la porte de la sècheuse, de secouer le gros article ou de retourner la charge lourde, puis de redémarrer le cycle de séchage. Cela assurera un séchage uniforme.
- Si la porte est ouverte pendant le fonctionnement et qu'elle n'est pas correctement fermée, une alarme sonnera pendant 10 secondes. L'alarme se met en pause pendant 6 minutes, puis sonne à nouveau pendant 10 secondes toutes les 6 minutes jusqu'à ce que la porte soit fermée. L'appareil ne peut pas fonctionner lorsque la porte est ouverte. Une fois la porte fermée, appuyez sur le bouton Démarrer/Pause pour reprendre le fonctionnement.

Avant de charger le sècheuse, vérifiez que les articles que vous séchez ne portent pas les symboles suivants car les articles marqués avec ces symboles ne doivent pas être placés dans un séchoir:



Dry flat



Dry in the shade



Do not tumble dry



Hang to dry



Drip dry



MISE EN GARDE! SURFACE CHAUDE

Ne pas toucher la prise d'air pendant le cycle de séchage en raison des températures élevées.



ATTENTION!

Pour réduire le risque d'incendie, cet appareil doit être évacué vers l'extérieur.

Nettoyage du filtre à peluche

Débranchez le cordon d'alimentation avant tout nettoyage. Le filtre à peluche doit être en place lorsque l'appareil fonctionne et doit être nettoyé avant et après chaque charge.

1. Retrait du filtre à peluche.

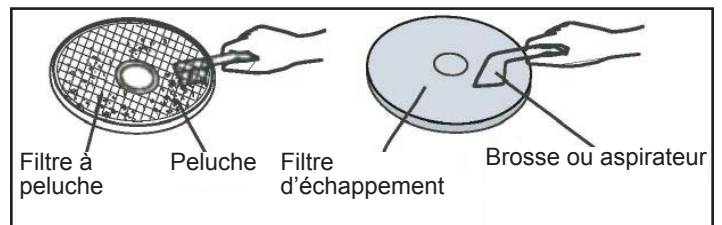
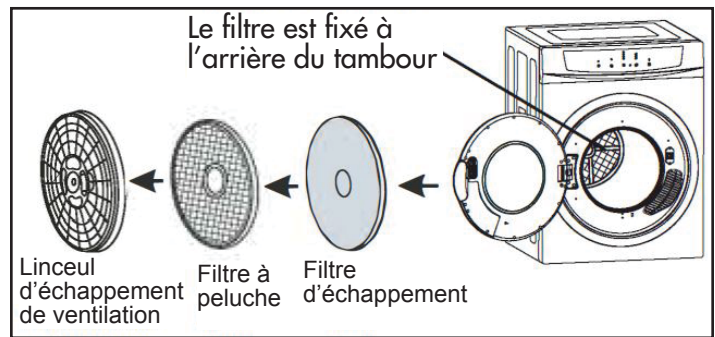
- Retirez le filtre en tirant doucement vers l'extérieur sur le centre de l'enveloppe de ventilation.
- Le filtre comporte trois parties: capot de ventilation, filtre à peluche et filtre d'échappement.

2. Nettoyage du filtre à peluche.

- Séparez les trois morceaux du filtre.
- Enlever la peluche avec une brosse douce ou un aspirateur.

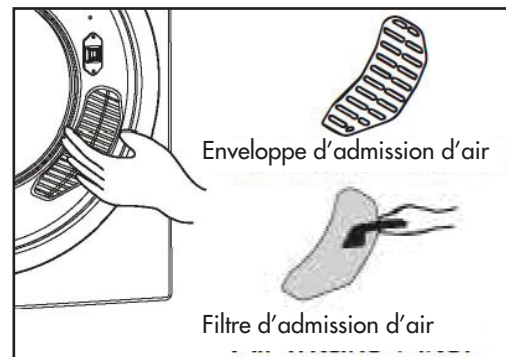
3. Remplacement du filtre à peluche.

- Après le nettoyage, remonter le capot du conduit d'évacuation, le filtre à peluche et le filtre d'échappement.
- Assurez-vous que l'ensemble filtre est solidement installé dans l'appareil.



Nettoyage du filtre d'admission d'air

Le filtre d'admission d'air doit être nettoyé une fois par mois. Retirez le filtre d'admission d'air en tenant les extrémités supérieure et inférieure et en tirant vers l'extérieur. Retirez le filtre et nettoyez-le avec une brosse douce. Remonter et installer dans l'appareil.



Nettoyage de l'intérieur et de l'extérieur de la sècheuse

- N'immergez aucune partie de l'appareil dans l'eau.
- N'utilisez pas de diluant, d'essence ou d'alcool sur ou près de l'appareil, car le résidu et les vapeurs peuvent provoquer un incendie.
- N'utilisez aucun produit de nettoyage à l'intérieur de l'appareil. Si le tambour devient taché, nettoyez avec un chiffon humide.
- Retirez tout résidu avant de sécher la charge suivante.
- Nettoyez l'armoire avec du savon doux et de l'eau. N'utilisez pas de nettoyeurs abrasifs ou durs.

DÉPANNAGE

Danby soins du consommateur: 1-800-263-2629

Heures d'ouverture:

Lundi à Jeudi 8 h 30 à 18 h, heure normale de l'Est
Vendredi de 8 h 30 à 16 h, heure normale de l'Est

Les informations contenues dans ce manuel sont sujettes à modification sans préavis.

PROBLÈME	CAUSE POSSIBLE
La sècheuse ne fonctionne pas	<ul style="list-style-type: none">• L'appareil n'est pas branché.• Le disjoncteur a déclenché ou un fusible grillé.
Le tambour du séchoir ne tourne pas.	<ul style="list-style-type: none">• La porte n'est pas complètement fermée.• La fiche d'alimentation est débranchée.• La prise de courant n'est pas alimentée.
Le linge n'est pas complètement séché.	<ul style="list-style-type: none">• Le filtre à peluche ou le filtre d'admission d'air sont obstrués.• Il ya trop de linge dans la sècheuse.• Des articles humides ont été ajoutés pendant le cycle de séchage.• Le linge est devenu tordu pendant le séchage.• Le séchoir a été placé dans un endroit peu ou mal ventilé.• L'évent du sécheur est bloqué.

GARANTIE LIMITÉE "À DOMICILE"

Cet appareil de qualité est garanti exempt de tout vice de matière première et de fabrication, s'il est utilisé dans les conditions normales recommandées par le fabricant.

Cette garantie n'est offerte qu'à l'acheteur initial de l'appareil vendu par Danby Products Limited (Canada) ou Danby Products Inc. (E.-U.A.) (ci-après « Danby ») ou par l'un des ses distributeurs agréés et elle ne peut être transférée.

CONDITIONS

Les pièces en plastique sont garanties pendant trente (30) jours seulement à partir de la date de l'achat, sans aucune prolongation prévue.

Premiers 12 mois Pendant les premiers **douze (12) mois**, toutes les pièces fonctionnelles de ce produit qui s'avèrent défectueuses seront réparées ou remplacées, selon le choix du garant, sans frais à l'acheteur initial.

Pour bénéficiaire du service S'adresser au détaillant qui a vendu l'appareil, ou à la station technique agréée de service la plus proche, où les réparations doivent être effectuées par un technicien qualifié. Si les réparations sont effectuées par quiconque autre que la station de service agréée ou à des fins commerciales, toutes les obligations de Danby en vertu de cette garantie seront annulées.

Limites de l'entretien à domicile Danby se réserve le droit de limiter les limites de "Service au domicile" à proximité d'un dépôt de service agréé. Tout appareil nécessitant un service en dehors des limites de "Service à domicile" sera la responsabilité du consommateur de transporter l'appareil à leur propres frais le point d'achat original ou un dépôt de service pour réparation. Si l'appareil est installé à plus de **100 kilomètres (62 milles)** du centre de service le plus proche, il doit être livré à l'atelier de réparation autorisé par Danby le plus proche, car l'entretien doit uniquement être réalisé par un technicien qualifié et certifié pour effectuer un entretien couvert par la garantie de Danby.

Les frais de transport entre votre domicile et le lieu de l'entretien ne sont pas couverts par la présente garantie et doivent être acquittés par l'acheteur.

Aucune partie de la garantie ne prévoit implicitement que le fabricant sera tenu responsable des dommages subis par les aliments ou d'autres types de contenu, qu'ils soient causés par la défectuosité de l'appareil ou par son usage adéquat ou inadéquat.

EXCLUSIONS

En vertu de la présente, il n'existe aucune autre garantie, condition ou représentation, qu'elle soit exprimée ou tacite, de façon manifeste ou intentionnelle, par Danby ou ses distributeurs agréés. De même, sont exclues toutes les autres garanties, conditions ou représentations, y compris les garanties, conditions ou représentations en vertu de toute loi régissant la vente de produits ou de toute autre législation ou règlement semblables. En vertu de la présente, Danby ne peut être tenue responsable en cas de blessures corporelles ou des dégâts matériels, y compris à l'appareil, quelle qu'en soit la cause. Danby ne peut pas être tenue responsable des dommages indirects dus au fonctionnement défectueux de l'appareil. En achetant l'appareil, l'acheteur accepte de mettre à couvert et de dégager Danby de toute responsabilité en cas de réclamation pour toute blessure corporelle ou tout dégât matériel causé par cet appareil.

CONDITIONS GÉNÉRALES

La garantie ou assurance ci-dessus ne s'applique pas si les dégâts ou réparations sont dus aux cas suivants:

- 1) Panne de courant.
- 2) Dommages subis pendant le transport ou le déplacement de l'appareil.
- 3) Alimentation électrique incorrecte (tension faible, câblage défectueux, fusibles incorrects).
- 4) Accident, modification, emploi abusif ou incorrect de l'appareil tel qu'une circulation d'air inadéquate dans la pièce ou des conditions de fonctionnement anormales (température extrêmement élevée ou basse).
- 5) Utilisation dans un but commercial ou industriel (à savoir, si l'appareil n'est pas installé dans un domicile résidentiel).
- 6) Incendie, dommages causés par l'eau, vol, guerre, émeute, hostilités, cas de force majeure (ouragan, inondation, etc.).
- 7) Visites d'un technicien pour expliquer le fonctionnement de l'appareil au propriétaire.
- 8) Installation inappropriée (par exemple, encastrement d'un appareil autoportant, ou utilisation extérieure d'un appareil non conçu à cet effet, y compris, mais sans s'y limiter: les garages, les patios, les porches ou ailleurs qui ne sont pas correctement isolés ou climatisés).

La preuve de la date d'achat sera requise pour les réclamations de garantie; Conserver les factures de vente. Dans le cas où un service de garantie est requis, présentez la preuve d'achat à notre dépôt de service agréé.

Service sous garantie

Service au domicile

Danby Products Limited
PO Box 1778, Guelph, Ontario, Canada N1H 6Z9
Téléphone : (519) 837-0920 Télécopieur: (519) 837-0449

1-800-263-2629
04/17

Danby Products Inc.
PO Box 669, Findlay, Ohio, U.S.A. 45840
Téléphone: (419) 425-8627 Télécopieur: (419) 425-8629

NOTES / REMARQUES:

Blank lined area for notes or remarks, consisting of 20 horizontal lines.



MODELO • MODEL
DDY060WDB