

INSTALLATION INSTRUCTIONS





800-570-3355

⚠ WARNING!



Electrical hazard

Before installing the dishwasher, remove the house fuse or open the circuit breaker. If permanently connecting the dishwasher, be sure the power is isolated and the dishwasher unplugged.

GROUNDING INSTRUCTIONS

This appliance must be grounded. In the event of a malfunction or breakdown, grounding will reduce the risk of electric shock by providing a path of least resistance for electric current. This appliance is equipped with a cord having an equipment-grounding conductor and a grounding plug. The plug must be plugged into an appropriate outlet that is installed and grounded in accordance with all local codes and ordinances. **WARNING** - Improper connection of the equipment-grounding conductor can result in a risk of electric shock. Check with a qualified electrician or service representative if you are in doubt as to whether the appliance is properly grounded.

If the dishwasher is installed as a permanently connected appliance: **GROUNDING INSTRUCTIONS** - This appliance must be connected to a grounded metal, permanent wiring system, or an equipment-grounding conductor must be run with the circuit conductors and connected to the equipment-grounding terminal or lead on the appliance. Do not modify the power supply plug provided with the appliance - if it will not fit the outlet, have a proper outlet installed by a qualified electrician. Do not use an extension cord, adapter plug or multiple outlet box.

Failure to follow this advice may result in electrical shock or death.

IMPORTANT SAFETY INSTRUCTIONS!

- Installation of this dishwasher requires basic mechanical and electrical skills.
- Be sure to leave these Instructions with the Customer.
- Installation must comply with your local building, electricity, and plumbing regulations.
- At the completion of the dishwasher installation, the Installer must perform the Final Checklist.
- Remove all packaging materials supplied with the dishwasher.
- This dishwasher is manufactured for indoor use only.
- Ensure all water connections are turned OFF. It is the responsibility of the plumber and electrician to ensure that each installation complies with all Codes and Regulations.
- The dishwasher **MUST** be installed to allow for future removal from the enclosure if service is required.
- The switched power outlet must be outside the dishwasher cavity, so that it is accessible after installation.
- Care should be taken when the appliance is installed or removed to reduce the likelihood of damage to the power supply cord and hoses.
- If the dishwasher is to be relocated from one installation to another it must be kept upright to avoid damage from water spillage.
- Make sure only new hoses are used for connection (supplied with the dishwasher). Old hoses should not be reused.
- Failure to install the dishwasher correctly could invalidate any warranty or liability claims.
- If the product is installed in a motor vehicle, boat or similar mobile facility, you must bring the vehicle, boat or mobile facility containing the product to the service shop at your expense or pay the service technician's travel to the location of the product.

⚠ WARNING!



Cut hazard

Take care - panel edges are sharp.

Failure to use caution could result in injury or cuts.

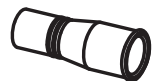
AMCA
Your Appliance Authority™
SAVE THESE INSTRUCTIONS

800-570-3355

② PARTS SUPPLIED



Drain hose support (1)



Drain hose joiner (1)



Wire clip (1)
(for securing
Drain hose joiner)



Side mounting
bracket kit
(A and B) (2)
OPTIONAL



Clamp (1)
(for securing
Drain hose joiner)



Phillips
 $\frac{5}{8}$ " (16 mm)
screws (7)



1½" (38 mm)
bottom fixing
screws & metal
washers (2)



Rubber
washer for
inlet hose (1)
(comes already
fitted)



Moisture protection
tape (1)
(to prevent moisture
damage)



Edge Protector (1)

(If the services hole is through a metal partition the hole must be protected with the Edge protector supplied to prevent damage to the power cord or hoses.)

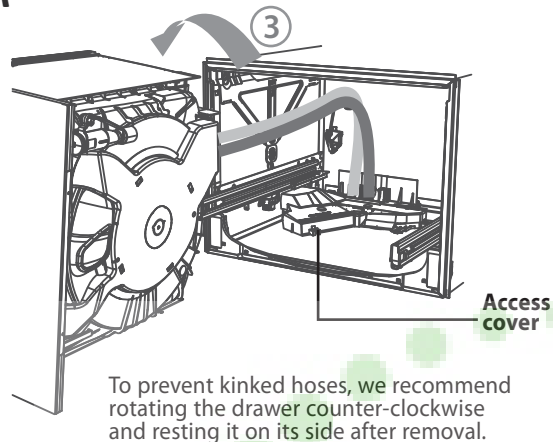
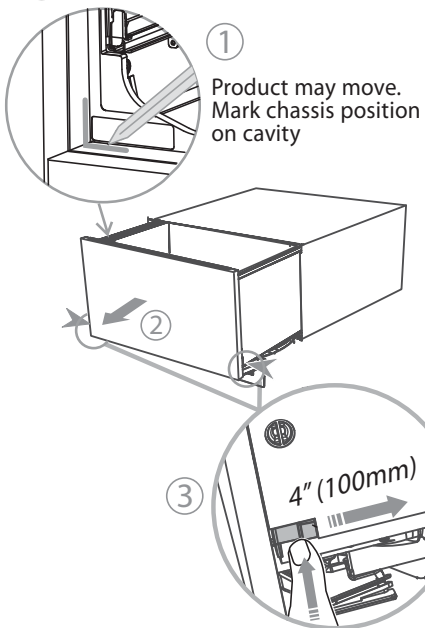
AjMadison
Your Appliance Authority
800-570-3355

If the Drain hose supplied is not long enough to reach your services, you must use a Drain Hose Extension Kit P/N 525798 which will extend the drain hoses by 11' 10" (3.6m).

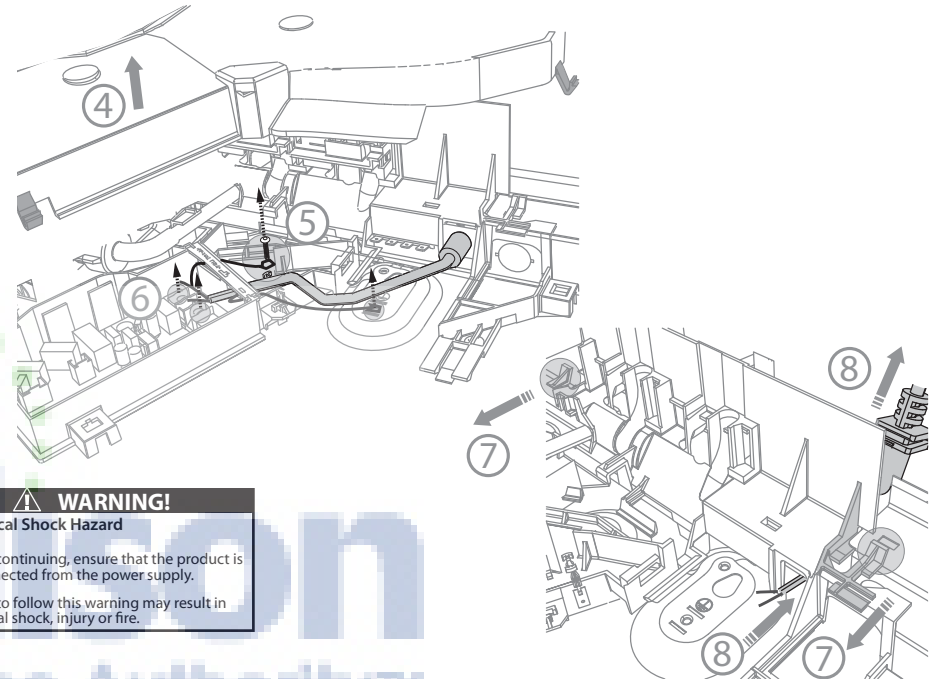
The kit is available from the nearest DCS by Fisher & Paykel Authorized Service Center, or Toll free 1.888.936.7872 or www.dcsappliances.com

3 OPTIONALLY HARD WIRING PRIOR TO INSTALLATION

3a REMOVE THE DRAWER

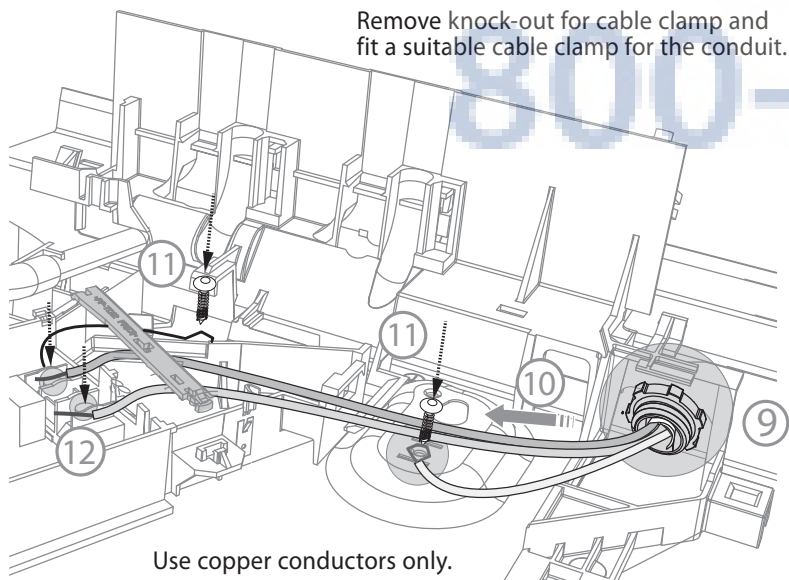


3b REMOVE THE ACCESS COVER & POWER CORD

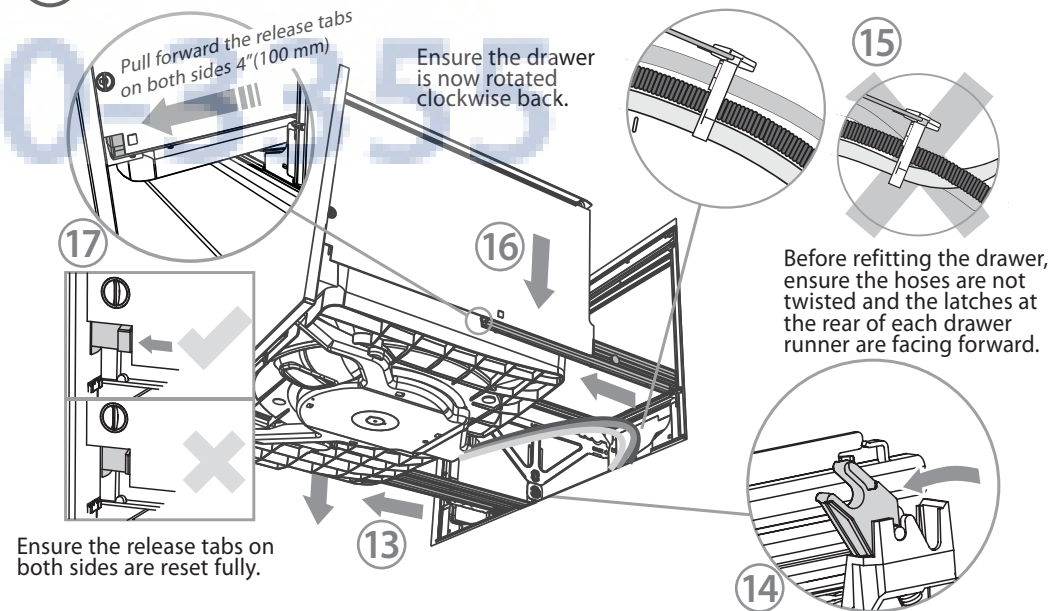


WARNING!
 Electrical Shock Hazard
 Before continuing, ensure that the product is disconnected from the power supply.
 Failure to follow this warning may result in electrical shock, injury or fire.

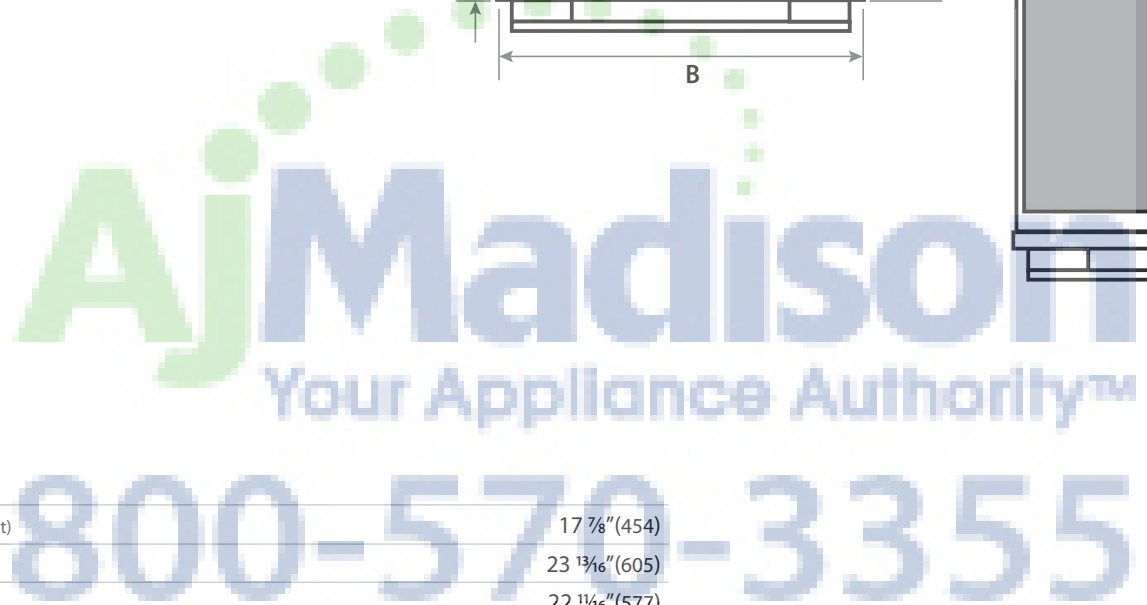
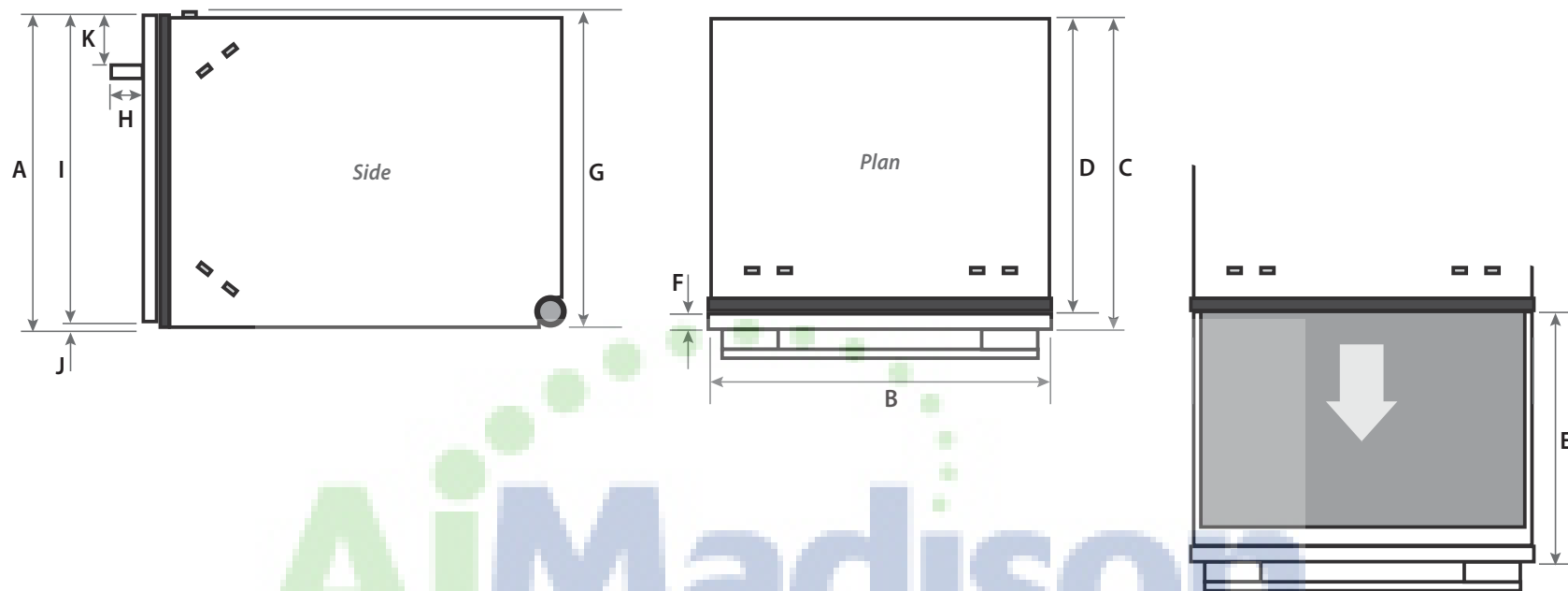
3c TERMINATE THE WIRING AS SHOWN



3d REFIT THE DRAWER ONTO THE RUNNERS & CLOSE



④ PRODUCT DIMENSIONS

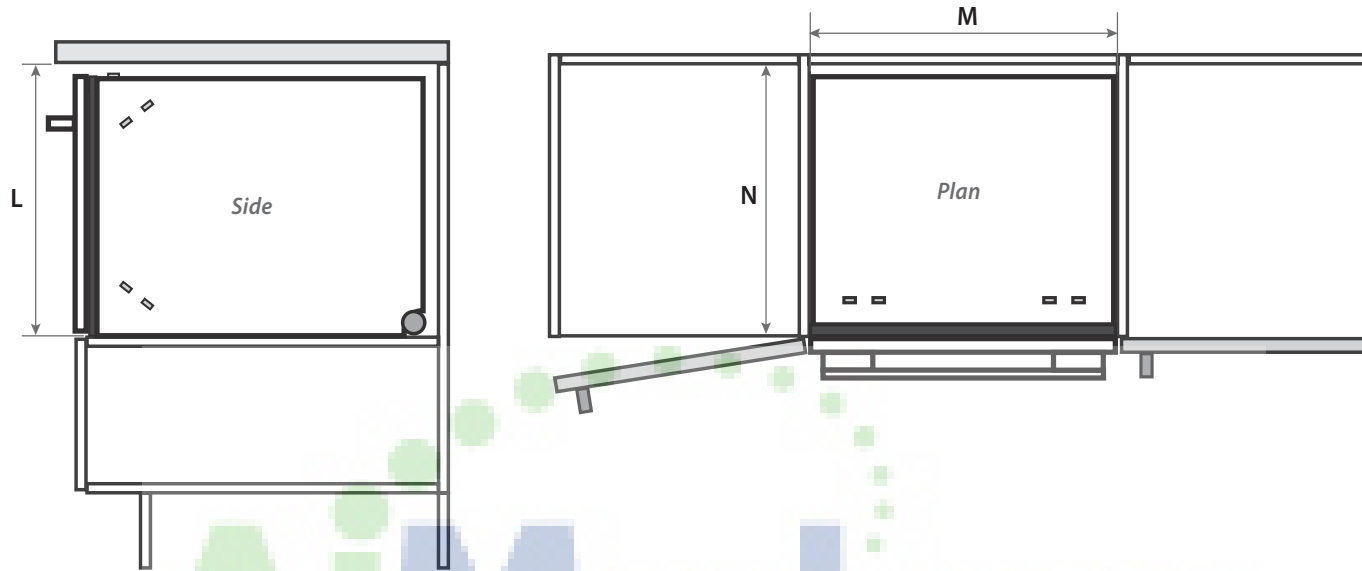


Product dimensions inches (mm)

A	overall height ¹ of product (incl. front panel height)	17 7/8" (454)
B	overall width of product	23 13/16" (605)
C	overall depth of product (excl. handle)	22 1/16" (577)
D	depth of chassis (to back of front panel)	21 3/4" (553)
E	maximum extension of drawer (excl. handle)	21 3/4" (552)
F	depth of front panel (excl. handle)	1" (25)
G	height ¹ of chassis	17 7/8" (454)
H	depth of handle	2 5/8" (66)
I	height of front panel	17 3/8" (442)
J	height of ventilation gap below front panel	5/16" (8)
K	height from top of handle to top of front panel	2 7/16" (62)

¹includes 1/16" (2 mm) high bracket slots

5 CABINETS DIMENSIONS



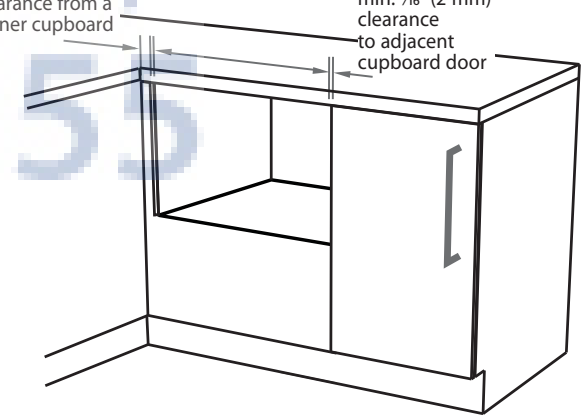
AjMadison
Your Appliance Authority™
800-570-3355

Cabinetry dimensions inches (mm)

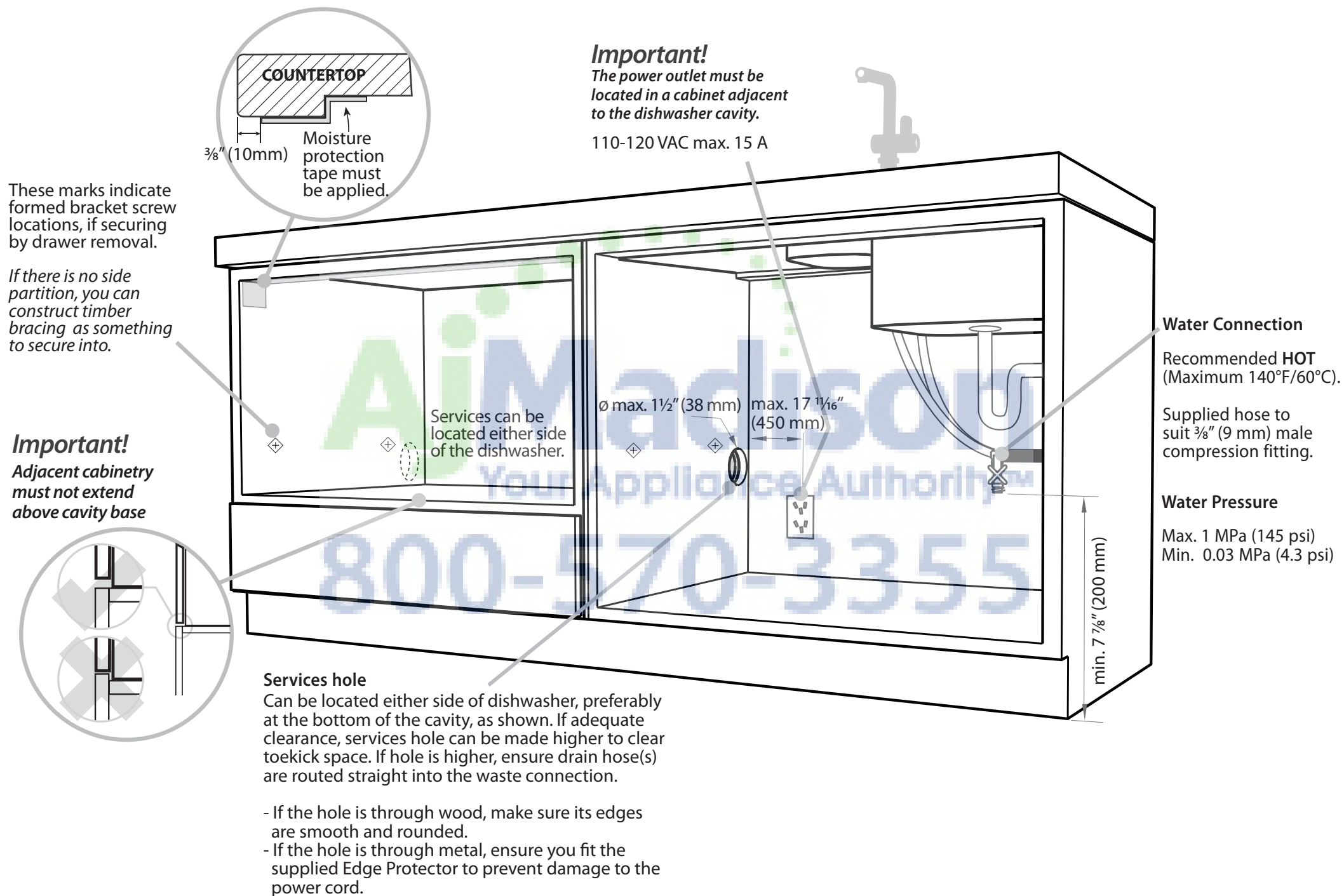
L	inside height of cavity	18"(456)
M	inside width of cavity	24"(610)
N	inside depth of cavity	min. 22 1/16"(560)

Minimum clearances from adjacent cabinetry

min. 1/2" (13 mm) clearance from a corner cupboard
min. 1/16" (2 mm) clearance to adjacent cupboard door



⑥ CAVITY PREPARATION



These marks indicate formed bracket screw locations, if securing by drawer removal.

If there is no side partition, you can construct timber bracing as something to secure into.

Important!
Adjacent cabinetry must not extend above cavity base

Important!
The power outlet must be located in a cabinet adjacent to the dishwasher cavity.

110-120 VAC max. 15 A

Services can be located either side of the dishwasher.

Ø max. 1 1/2" (38 mm)
max. 17 1/16" (450 mm)

Water Connection

Recommended **HOT**
(Maximum 140°F/60°C).

Supplied hose to suit 3/8" (9 mm) male compression fitting.

Water Pressure

Max. 1 MPa (145 psi)
Min. 0.03 MPa (4.3 psi)

Services hole

Can be located either side of dishwasher, preferably at the bottom of the cavity, as shown. If adequate clearance, services hole can be made higher to clear toe-kick space. If hole is higher, ensure drain hose(s) are routed straight into the waste connection.

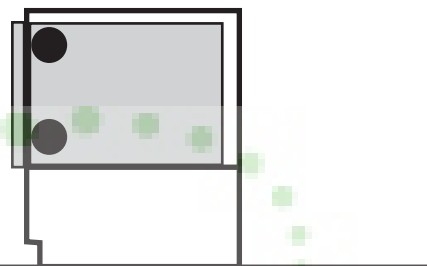
- If the hole is through wood, make sure its edges are smooth and rounded.
- If the hole is through metal, ensure you fit the supplied Edge Protector to prevent damage to the power cord.

⑦ **MAXIMUM DISTANCE OF HOSES & CORD FROM CHASSIS EDGE**

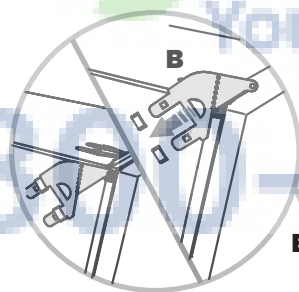


NOW CHOOSE WHICH INSTALLATION METHOD (a) or (b) IS MORE SUITABLE FOR YOUR CABINETRY...

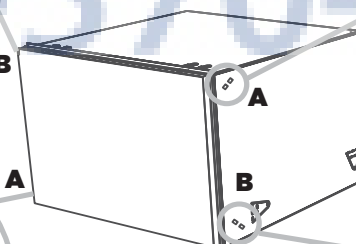
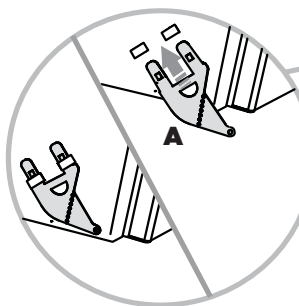
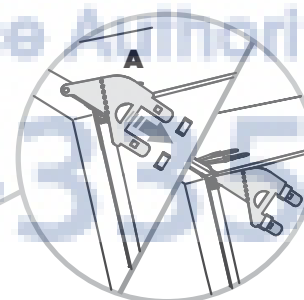
RECOMMENDED METHOD (a) - SECURE WITHOUT DRAWER REMOVAL (FRAMELESS CABINETRY ONLY)



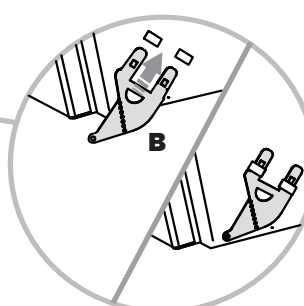
8a) ATTACH SIDE MOUNTING BRACKETS



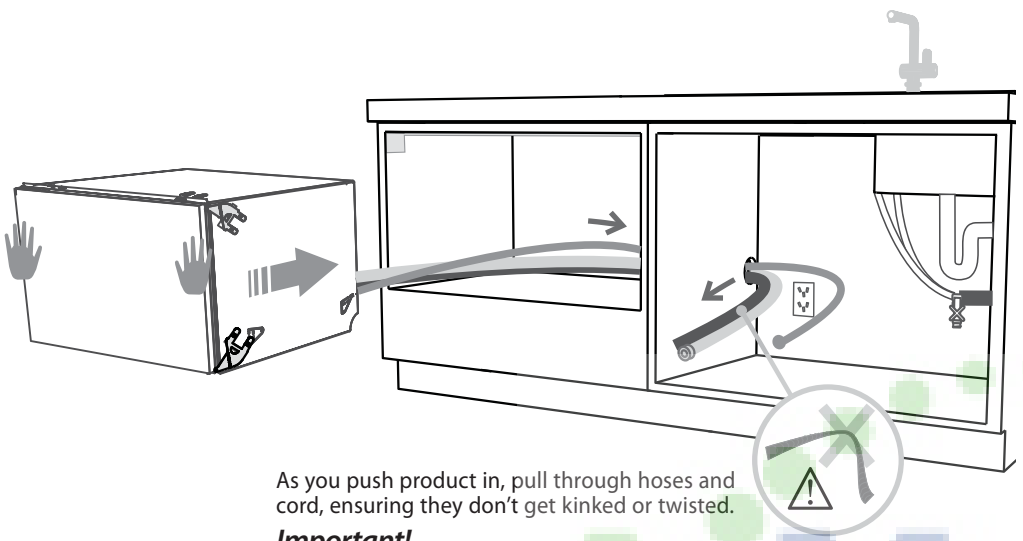
Clip all four side mounting brackets into their slots using a flat-bladed screwdriver. Ensure they're securely fitted before sliding product into cavity.



The mounting slots are in pairs, one on each side diagonally across the product. **A** bracket must match **A** slot and **B** bracket must match **B** slot.



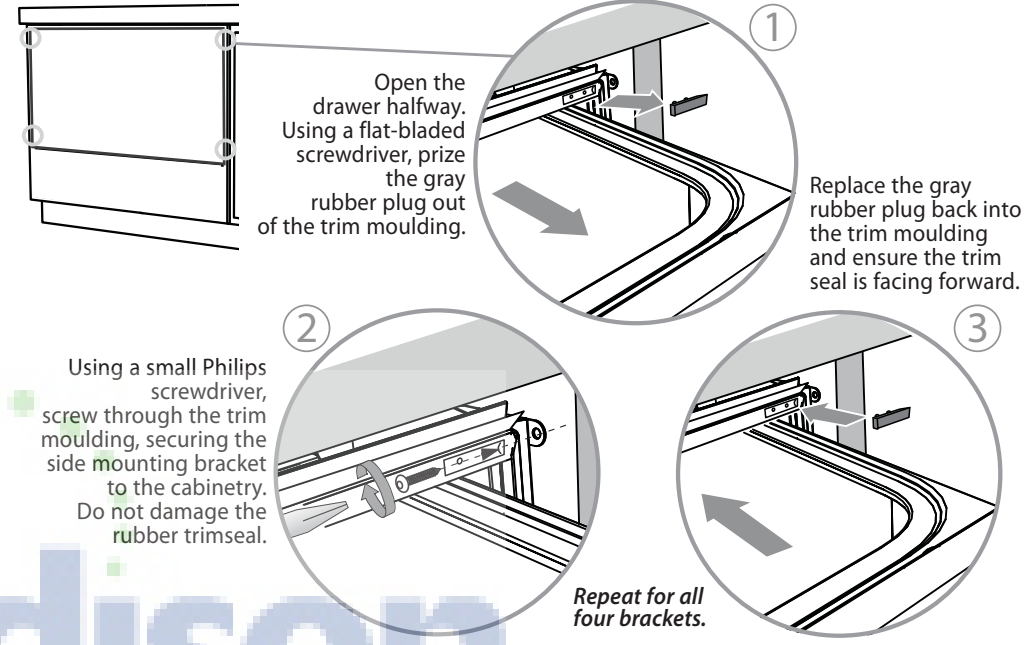
9a) PULL THROUGH HOSES & MOVE INTO THE CAVITY



As you push product in, pull through hoses and cord, ensuring they don't get kinked or twisted.

Important!
If product cannot be pushed in far enough, pull out again and rearrange hoses and cord. Do not use excessive force, as doing so may squash the hoses and lead to incorrect operation.

10a) SECURE THE DRAWER



Open the drawer halfway. Using a flat-bladed screwdriver, prise the gray rubber plug out of the trim moulding.

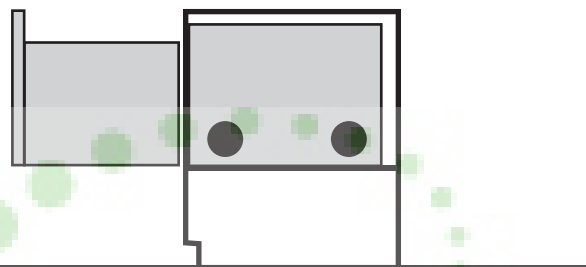
Replace the gray rubber plug back into the trim moulding and ensure the trim seal is facing forward.

Using a small Philips screwdriver, screw through the trim moulding, securing the side mounting bracket to the cabinetry. Do not damage the rubber trimseal.

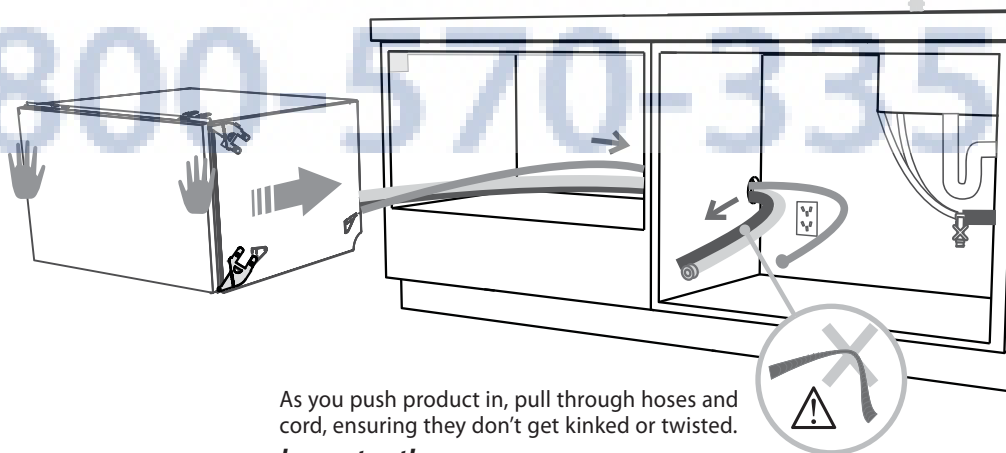
Repeat for all four brackets.

Madison
Your Appliance Authority™
800-570-3355

ALTERNATIVE METHOD (b) - SECURE BY DRAWER REMOVAL



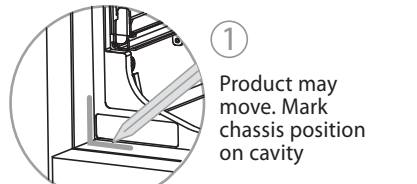
8b) PULL THROUGH HOSES & MOVE INTO THE CAVITY



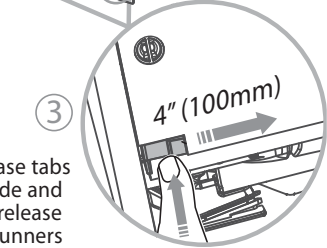
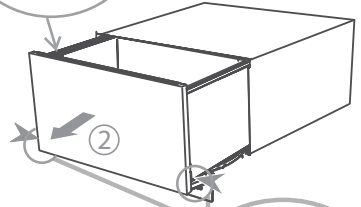
As you push product in, pull through hoses and cord, ensuring they don't get kinked or twisted.

Important!
If product cannot be pushed in far enough, pull out again and rearrange hoses and cord. Do not use excessive force, as doing so may squash the hoses and lead to incorrect operation.

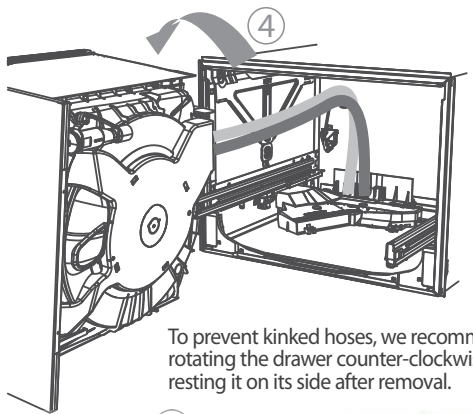
9b REMOVE THE DRAWER



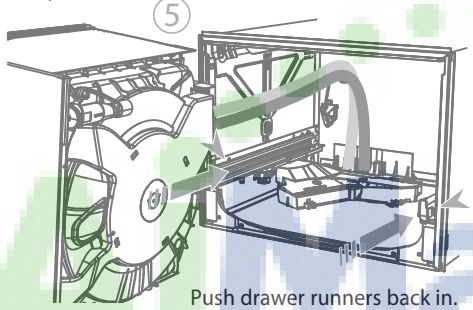
1 Product may move. Mark chassis position on cavity



3 Press the release tabs in on either side and push back to release drawer from runners



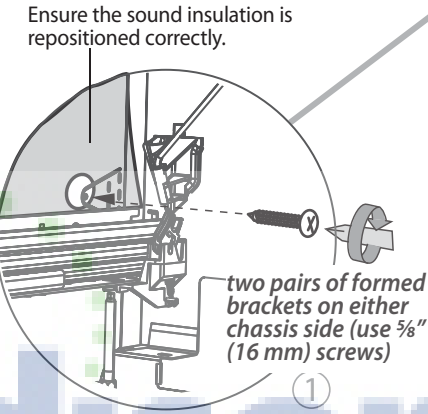
4 To prevent kinked hoses, we recommend rotating the drawer counter-clockwise and resting it on its side after removal.



5 Push drawer runners back in.

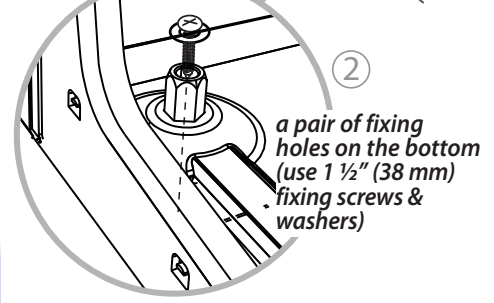
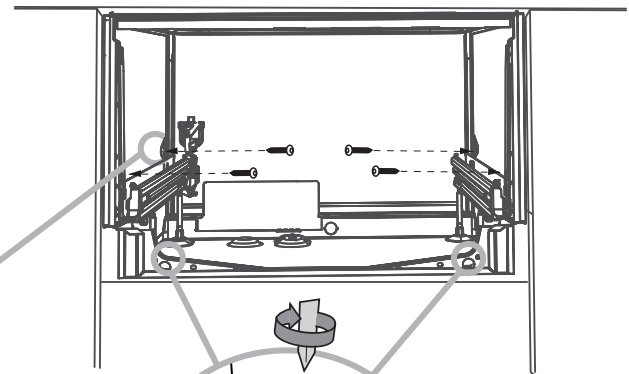
10b SECURE THE DRAWER TO THE CABINETRY

The product has three pairs of fixing points:



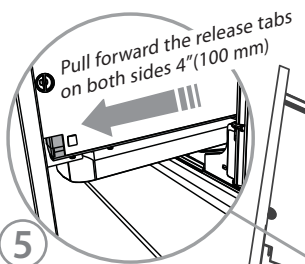
Ensure the sound insulation is repositioned correctly.

two pairs of formed brackets on either chassis side (use 5/8" (16 mm) screws)



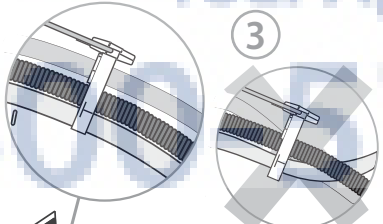
a pair of fixing holes on the bottom (use 1 1/2" (38 mm) fixing screws & washers)

11b REFIT THE DRAWER ONTO THE RUNNERS

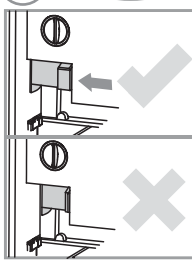


1 Pull forward the release tabs on both sides 4" (100 mm)

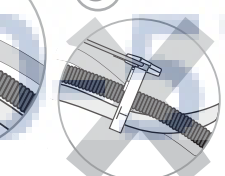
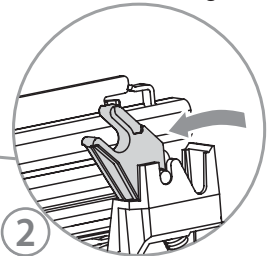
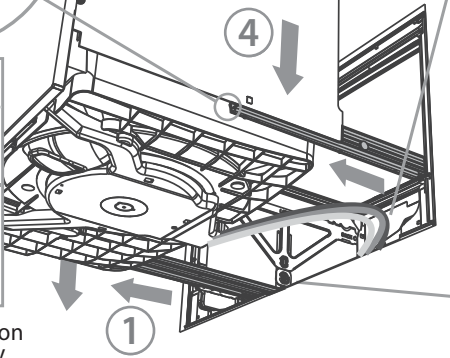
Ensure the drawer is now rotated clockwise back.



Before refitting the drawer, ensure the hoses are not twisted and the latches at the rear of each drawer runner are facing forward.



Ensure the release tabs on both sides are reset fully.

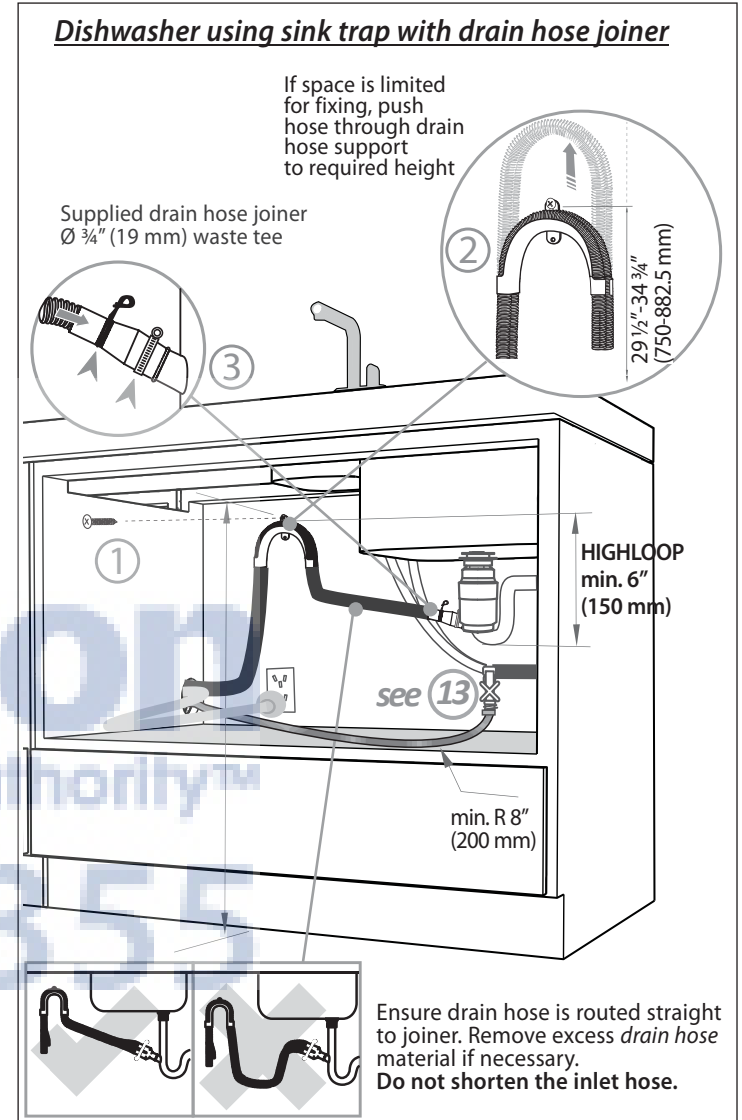
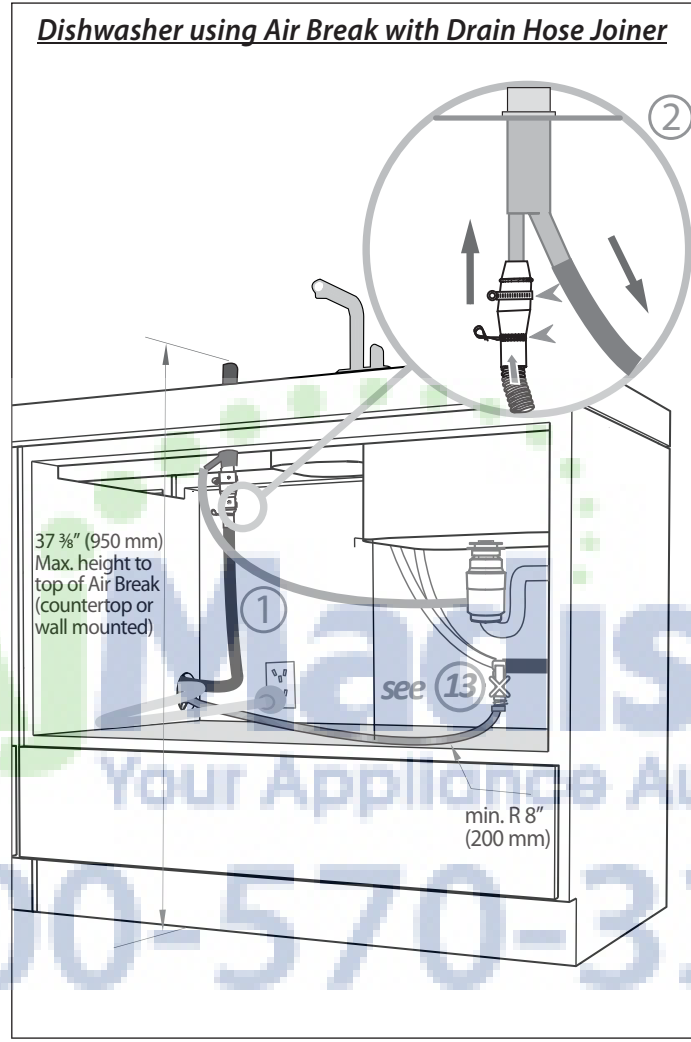
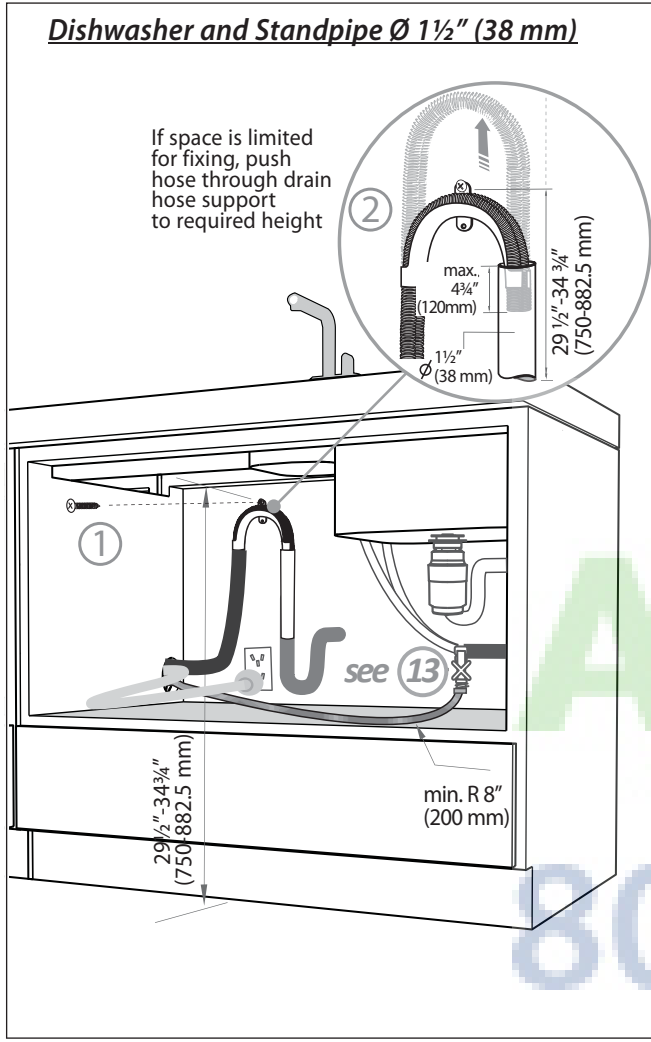


3 Push drawer runners back in.

5 Push drawer runners back in.

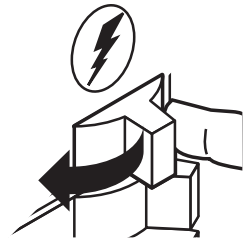
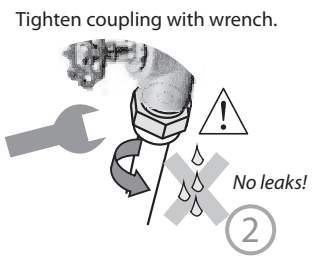
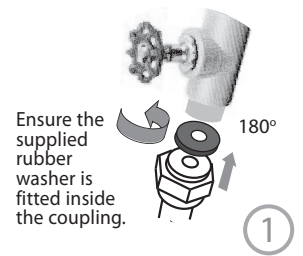
Madison
Your Appliance Authority™
800-70-3355

12) THERE ARE THREE DIFFERENT PLUMBING AND DRAINAGE OPTIONS. CHOOSE WHICH IS MORE SUITABLE.



13) CONNECT INLET HOSE TO HOT WATER

14) SWITCH PRODUCT ON



Important!
Ensure that drain connection will comply with local plumbing regulations.

15 FINAL CHECKLIST

- ✓
- Check all parts are installed.
- Ensure product is level, securely fastened to the cabinetry and opens and closes freely. The drawer must be free to fully close with no resistance from the cabinetry.
- Ensure inlet hose to water supply has supplied rubber washer fitted, and that it's tightened a further half turn after seal contact.
- Ensure any knockouts or plugs in drain connection have been drilled out and drain connection has been made.
- The drain hose joiner must not support the weight of excess hose material. Keep drain hose as fully extended as possible to prevent sagging. Any excess length of drain hose should be kept on the dishwasher side of the highloop.
- If connecting the drain hose to the sink trap, ensure the Highloop is a minimum 6" (150 mm) higher than the drain hose joiner.
- Ensure any packaging or tape securing the racks is removed from the drawer.
- Turn on the power and water supplies, then open the drawer. You should hear a beep and see a program indicator light up on the internal control panel.
- Check the spray arm is in place and free to rotate.



- Add three cups of water into the drawer. Press ► on the internal control panel until the indicator of the 'Rinse' program lights up. Close the drawer and press ►► to start the program.
- After the Rinse program has finished, ensure the dishwasher has run and drained correctly.
- Check water supply and drainage connection for leakage.

16 TROUBLESHOOTING

- **Excessive water remaining above the filter plate, after the rinse cycle**
Check for a kinked drain hose or blocked waste connection, highloop not properly installed or drain hose not routed correctly.
- **No water supply (This is displayed as a 'U1' fault -- see section 'If there is a fault' in the User guide for how to recognise this fault.)**
Check water is connected and turned on.
- **The dishwasher is beeping continuously**
There is a fault. See section 'If there is a fault' in the User guide for further information and instructions.
- **No program indicator lights up when the drawer is opened**
Ensure power is connected and is switched on. If it is and still no indicator lights up, see the 'Preference options' section of the 'Quick start guide'. An option called 'Open drawer auto power-on' may need to be turned on.
- **Water around water supply and drainage connections**
Check connections, existing plumbing and hoses for leaks. Check rubber washer and hose clamp are correctly fitted.
- **If product is tipping**
Ensure the product is secured to the cabinetry.
- **If front panels are misaligned**
Check and relevel product. Check the cabinetry is square.
- **Drawer doesn't close properly**
Ensure nothing is obstructing the drawer from closing properly eg sound insulation, hoses or drawer latches.
- If a problem occurs, consult the 'Troubleshooting' section of the User guide.
- If after checking these points you still need assistance, please refer to the Service & Warranty book for warranty details and your nearest Authorized Service Center, or contact us through our website, listed below.

Important! **SAVE THESE INSTRUCTIONS**

The models shown in this document may not be available in all markets and are subject to change at any time. For current details about model and specification availability in your country, please visit our local website listed at the end of this document or contact your local DCS by Fisher & Paykel dealer.