

INTEGRATED SINGLE DISHDRAWER

PLANNING GUIDE

DD24SI9 N

DD24STI9 N | DD24STHI9 N

DD24STX6I1 | DD24STX6HI1

FISHER & PAYKEL

PLANNING GUIDE | INTEGRATED SINGLE DISHDRAWER

DD24SI9 N | DD24STI9 N | DD24STHI9 N | DD24STX6I1 | DD24STX6HI1

This comprehensive Planning Guide provides you with the framework and tools to achieve your desired design outcome with Fisher & Paykel appliances. In this guide, you will find a range of conceptual, detailed, and dimensional product information to bring your ideas to life and create spaces that truly reflect your vision.

CONTENTS

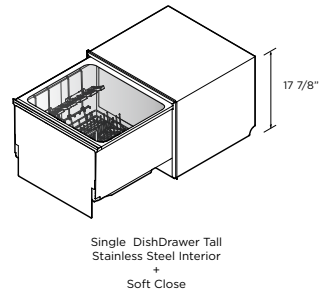
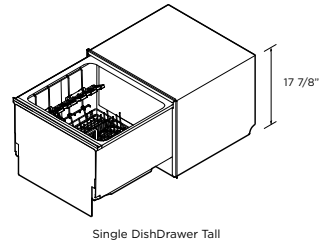
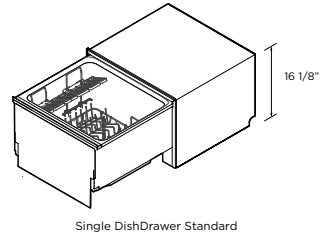
CONCEPT DESIGN	PAGE	DEVELOPED AND DETAILED DESIGN	PAGE	DEVELOPED AND DETAILED DESIGN	PAGE
Design Choices	4	Data Sheets DD24SI9 N	5	Data Sheets Handles	18
		Stainless Steel Door Panel	6	Contemporary Square	19
		Custom Door Panel	7	Contemporary Square Fine	20
				Contemporary Round	21
		Data Sheets DD24STI9 N, DD24STHI9 N	8	Professional Round Flush	22
		Stainless Steel Door Panel	9	Classic Round	23
		Custom Door Panel	10		
		Stainless Recessed Handle Door Panel	11		
		Glass Recessed Handle Door Panel	12		
		Data Sheets DD24STX6I1, DD24WSTX6HI1	13		
		Stainless Steel Door Panel	14		
		Custom Door Panel	15		
		Stainless Recessed Handle Door Panel	16		
		Glass Recessed Handle Door Panel	17		

The models shown in this Planning Guide may not be available in all markets and are subject to change at any time. Product specifications may vary from those shown. This Planning Guide should not be used as installation guidance for any product. Further information is required to safely and correctly install the products featured here. Specific installation guidance will be available on our website fisherpaykel.com

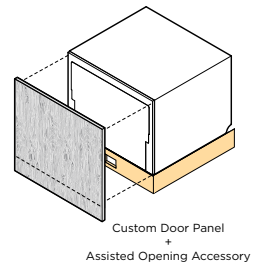
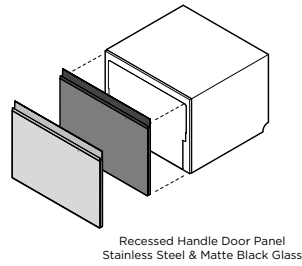
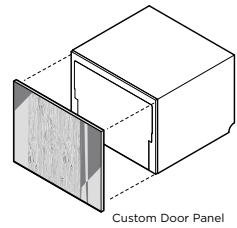
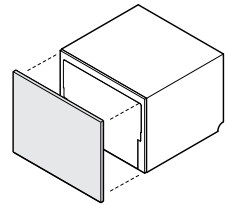
DESIGN CHOICES

DESIGN CHOICES | INTEGRATED SINGLE DISHDRAWER

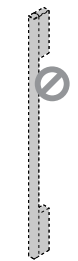
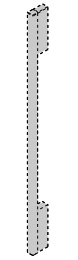
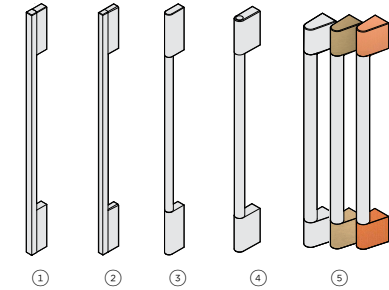
SIZE & INTERIOR



DOOR PANEL STYLE



HANDLE OPTION

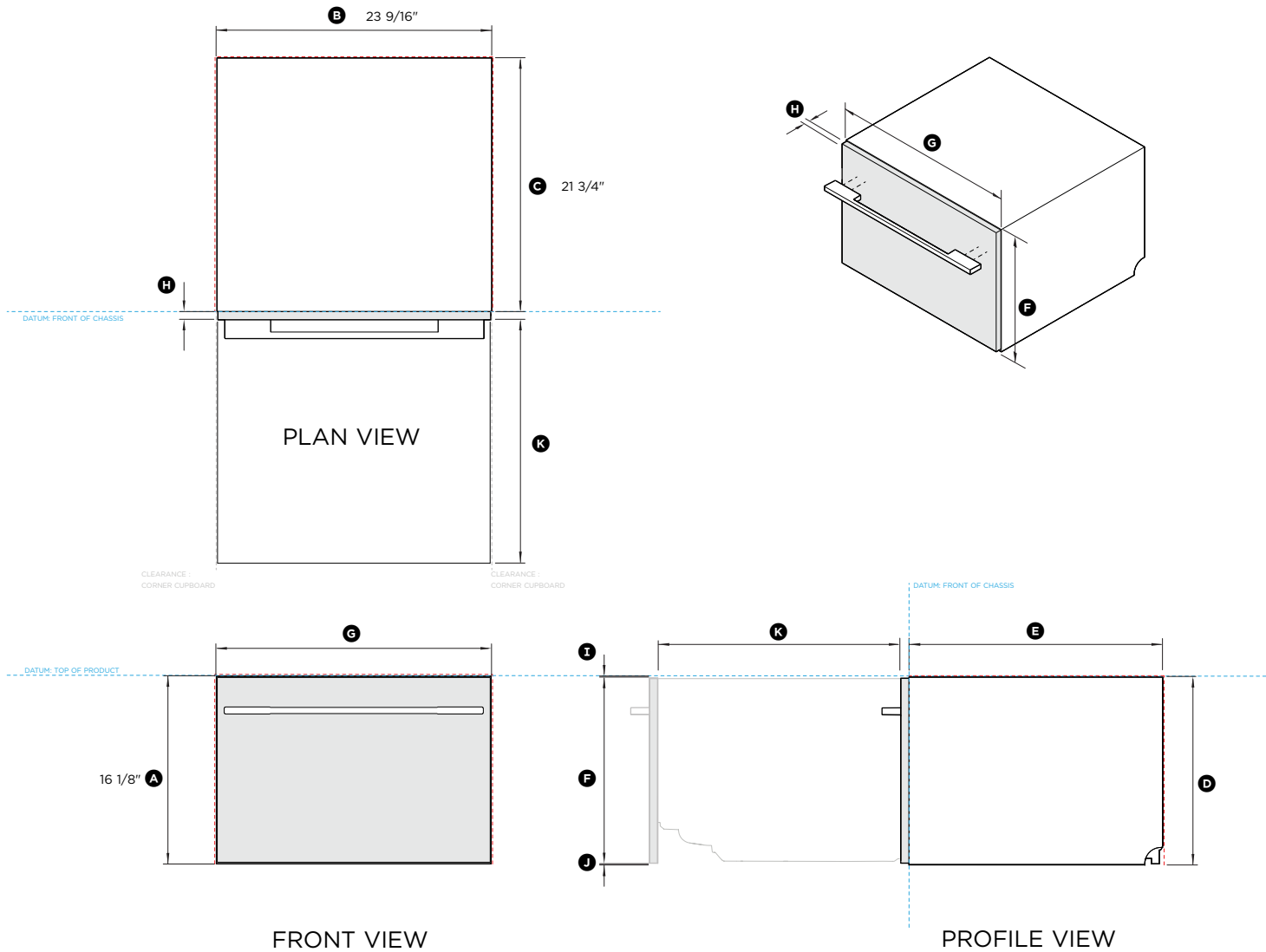


SIZE & INTERIOR	MODELS	
	Standard Height	Tall Height
Single DishDrawer Standard	DD245I9 N	
Single DishDrawer Tall		DD245T19 N, DD245HT19 N*
Single DishDrawer Tall with Stainless Steel Interior + Soft Close		DD245TX6II, DD245TX6HII*
*Water softener models in selected markets only		

DOOR PANEL MODELS	MODELS	
	Standard Height	Tall Height
Stainless Steel Door Panel	ADD0245PX	ADD0245TPX
Recessed Handle Stainless Steel Door Panel*		ADD0245TNX
Recessed Handle Matte Black Glass Door Panel*		ADD0245TZB
*In some markets available as pre-finished models		
Assisted Opening - Coming soon		

HANDLE MODELS*	HANDLE MODELS*			
	Brushed Aluminium	Stainless Steel	Brass	Dark Copper
① Contemporary Square Handle*	AHD30BD060S			
② Contemporary Square Handle Fine*	AHD50BD060S			
③ Contemporary Round Handle*	AHS0BD060S			
④ Classic Handle*		AHCLDDW24X		
⑤ Professional Flush Handle*		AHP3DDW5X		
Professional Flush Handle*			AHP3DDW24BA	
Professional Flush Handle*				AHP3DDW24DC
*One Handle kit required for Single Dishdrawer, two Handle Kits required for Double Dishdrawers				
Handles are not required for the Recessed Door Panels				
Handles are optional for Custom Door Panels with Assisted Opening Accessory				

DATA SHEETS
DD24SI9 N



Model nos:

DD24SI9 N

Shown with Stainless Steel Door Panel, ADDD60SPX

Available Black Stainless Steel Door Panel, ADDD60SPB

Shown with Contemporary Square Fine Handle, AHD5-OBDD-60SX

NOTE:

Refer to page 4 - Design Choices for all door panel and handle options

Product Dimensions	inch	mm
Ⓐ Overall height of product	16 1/8	410
Ⓑ Overall width of product	23 9/16	599
Ⓒ Overall depth of product*	21 3/4	553
Ⓓ Height of chassis	16 1/8	410
Ⓔ Depth of chassis	21 3/4	553
Ⓕ Height of door panel	15 7/8	403
Ⓖ Width of door panel	23 7/16	595
Ⓗ Depth of door panel	11/16	18
Ⓘ Height from top of door panel to top of chassis	1/16	2
Ⓛ Height of ventilation gap below door panel	1/16	2
Ⓚ Maximum extension of drawer*	20 3/4	527

*excluding door panel and handle

Minimum Clearances	inch	mm
Minimum inside height of cavity	16 1/4	412
Minimum inside width of cavity	23 5/8	600
Minimum overall depth of cavity*	22 13/16	579
Minimum clearance to corner cupboard	1/2	13
Minimum clearance to adjacent cupboard door	1/16	2

*Including 3/4" (19mm) door panels on adjacent cabinetry.

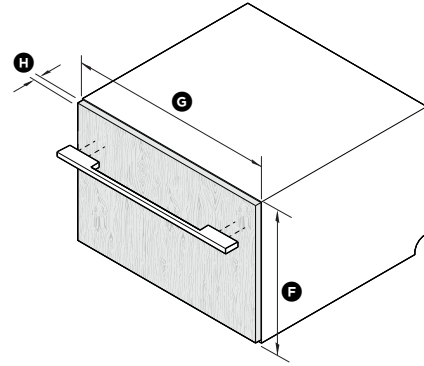
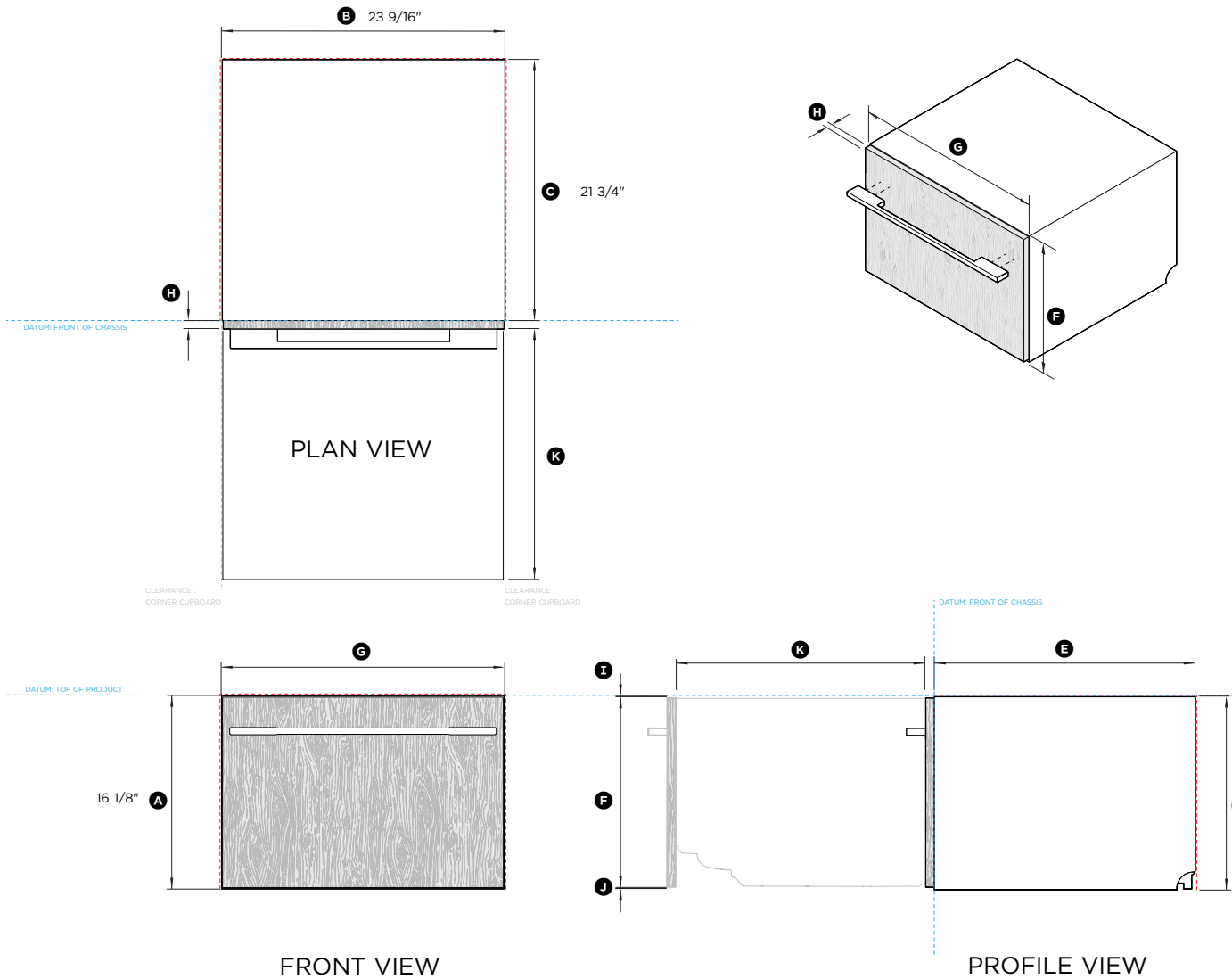
Venting consideration for the toe kick design, please refer to the installation guide

INDICATES PRODUCT DATUM -----

INDICATES CABINETRY CLEARANCES -----

IMPORTANT NOTE: Throughout this guide, dimensions may vary by ±2mm (1/16"). Please read the installation manual for detailed information on installing the product. For full installation instructions & specifications visit fisherpaykel.com





Model nos:

DD24SI9 N

Shown with Custom Door Panel

Shown with Contemporary Square Fine Handle, AHD5-OBDD-60SX

NOTE:

Refer to page 4 - Design Choices for all door panel and handle options

Product Dimensions	inch	mm
Ⓐ Overall height of product	16 1/8	410
Ⓑ Overall width of product	23 9/16	599
Ⓒ Overall depth of product*	21 3/4	553
Ⓓ Height of chassis	16 1/8	410
Ⓔ Depth of chassis	21 3/4	553
Ⓕ Minimum height of door panel	15 7/8	403
Ⓖ Width of door panel	23 7/16	595
Ⓗ Depth of door panel	5/8 - 13/16	16 - 20
Ⓘ Height from top of door panel to top of chassis	1/16	2
Ⓚ Height of ventilation gap below door panel	1/16	2
Ⓛ Maximum extension of drawer*	20 3/4	527

*excluding door panel and handle

Minimum Clearances	inch	mm
Minimum inside height of cavity	16 1/4	412
Minimum inside width of cavity	23 5/8	600
Minimum overall depth of cavity*	22 13/16	579
Minimum clearance to corner cupboard	1/2	13
Minimum clearance to adjacent cupboard door	1/16	2

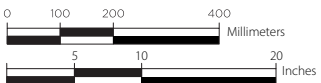
*Including 3/4" (19mm) door panels on adjacent cabinetry.

Note: Custom door panel to be manufactured/fitted by cabinetmaker

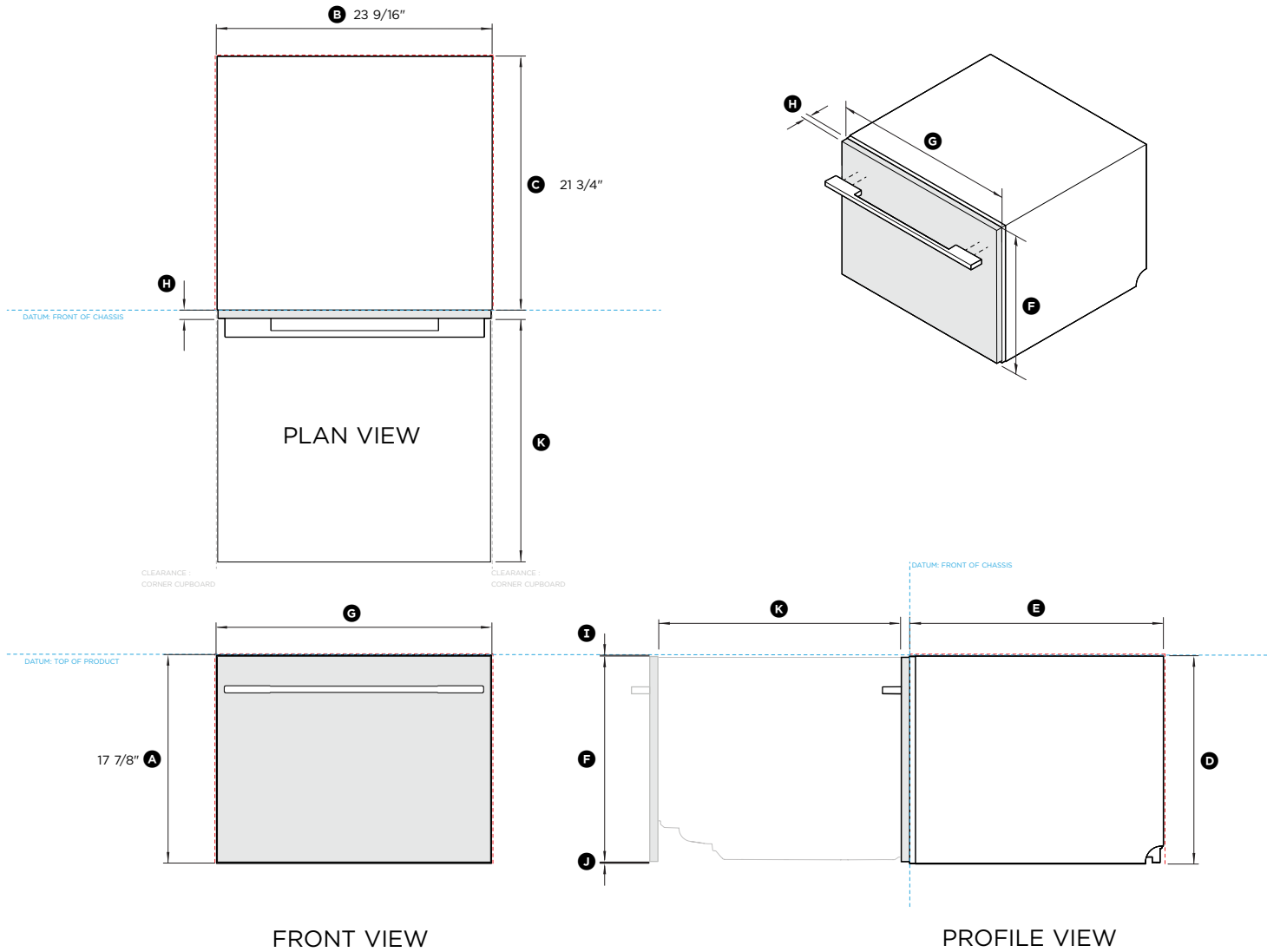
Venting consideration for the toe kick design, please refer to the installation guide

INDICATES PRODUCT DATUM -----
 INDICATES CABINETRY CLEARANCES -----

IMPORTANT NOTE: Throughout this guide, dimensions may vary by ±2mm (1/16"). Please read the installation manual for detailed information on installing the product. For full installation instructions & specifications visit fisherpaykel.com



DATA SHEETS
DD24STI9 N & DD24STHI9 N



Model nos:

DD24STI9 N & DD624STHI9 N

Shown with Stainless Steel Door Panel, ADDD24STPX
 Available Black Stainless Steel Door Panel, ADDD24STPB
 Shown with Contemporary Square Fine Handle, AHD5OBDD60SX

NOTE:

Refer to page 3 - Design Choices for all door panel and handle options

Product Dimensions	inch	mm
Ⓐ Overall height of product	17 7/8	454
Ⓑ Overall width of product	23 9/16	599
Ⓒ Overall depth of product*	21 3/4	553
Ⓓ Height of chassis	17 7/8	454
Ⓔ Depth of chassis	21 3/4	553
Ⓕ Height of door panel	17 5/8	447
Ⓖ Width of door panel	23 7/16	595
Ⓗ Depth of door panel	11/16	18
Ⓘ Height from top of door panel to top of chassis	1/16	2
Ⓚ Height of ventilation gap below door panel	1/16	2
Ⓛ Maximum extension of drawer*	20 3/4	527

*excluding door panel and handle

Minimum Clearances	inch	mm
Minimum inside height of cavity	17 15/16	456
Minimum inside width of cavity	23 5/8	600
Minimum overall depth of cavity*	22 13/16	579
Minimum clearance to corner cupboard	1/2	13
Minimum clearance to adjacent cupboard door	1/16	2

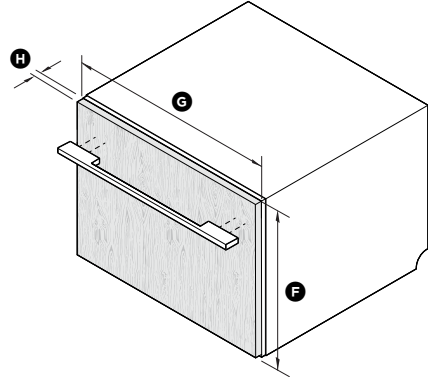
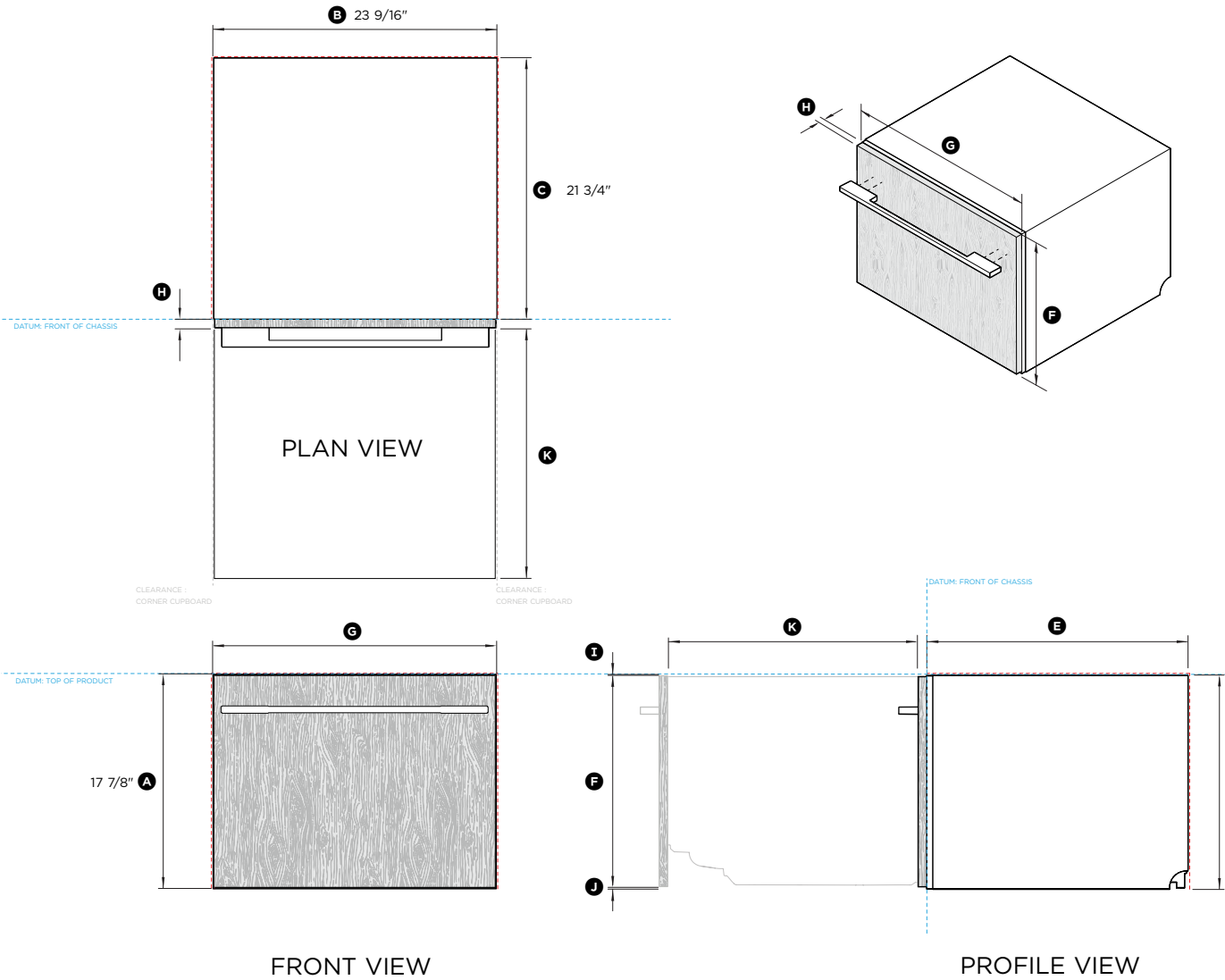
*Including 3/4" (19mm) door panels on adjacent cabinetry.

Venting consideration for the toe kick design, please refer to the installation guide

INDICATES PRODUCT DATUM -----
 INDICATES CABINETRY CLEARANCES - - - - -

IMPORTANT NOTE: Throughout this guide, dimensions may vary by ±2mm (1/16"). Please read the installation manual for detailed information on installing the product. For full installation instructions & specifications visit fisherpaykel.com





Model nos:

DD24STI9 N & DD624STHI9 N

Shown with Custom Door Panel

Shown with Contemporary Square Fine Handle, AHD5OBDD60SX

NOTE:

Refer to page 4 - Design Choices for all door panel and handle options

Product Dimensions	inch	mm
Ⓐ Overall height of product	17 7/8	454
Ⓑ Overall width of product	23 9/16	599
Ⓒ Overall depth of product*	21 3/4	553
Ⓓ Height of chassis	17 7/8	454
Ⓔ Depth of chassis	21 3/4	553
Ⓕ Minimum height of door panel	15 7/8	447
Ⓖ Width of door panel	23 7/16	595
Ⓗ Depth of door panel	5/8 - 13/16	16 - 20
Ⓘ Height from top of door panel to top of chassis	1/16	2
Ⓛ Height of ventilation gap below door panel	1/16	2
Ⓚ Maximum extension of drawer*	20 3/4	527

*excluding door panel and handle

Minimum Clearances	inch	mm
Minimum inside height of cavity	17 15/16	456
Minimum inside width of cavity	23 5/8	600
Minimum overall depth of cavity*	22 13/16	579
Minimum clearance to corner cupboard	1/2	13
Minimum clearance to adjacent cupboard door	1/16	2

*Including 3/4" (19mm) door panels on adjacent cabinetry.

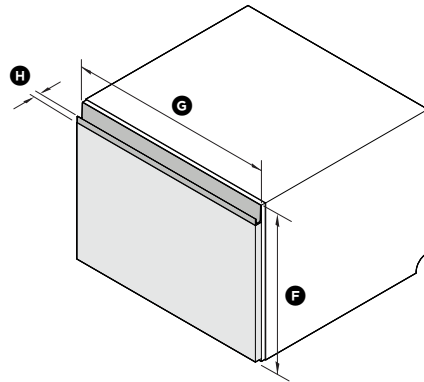
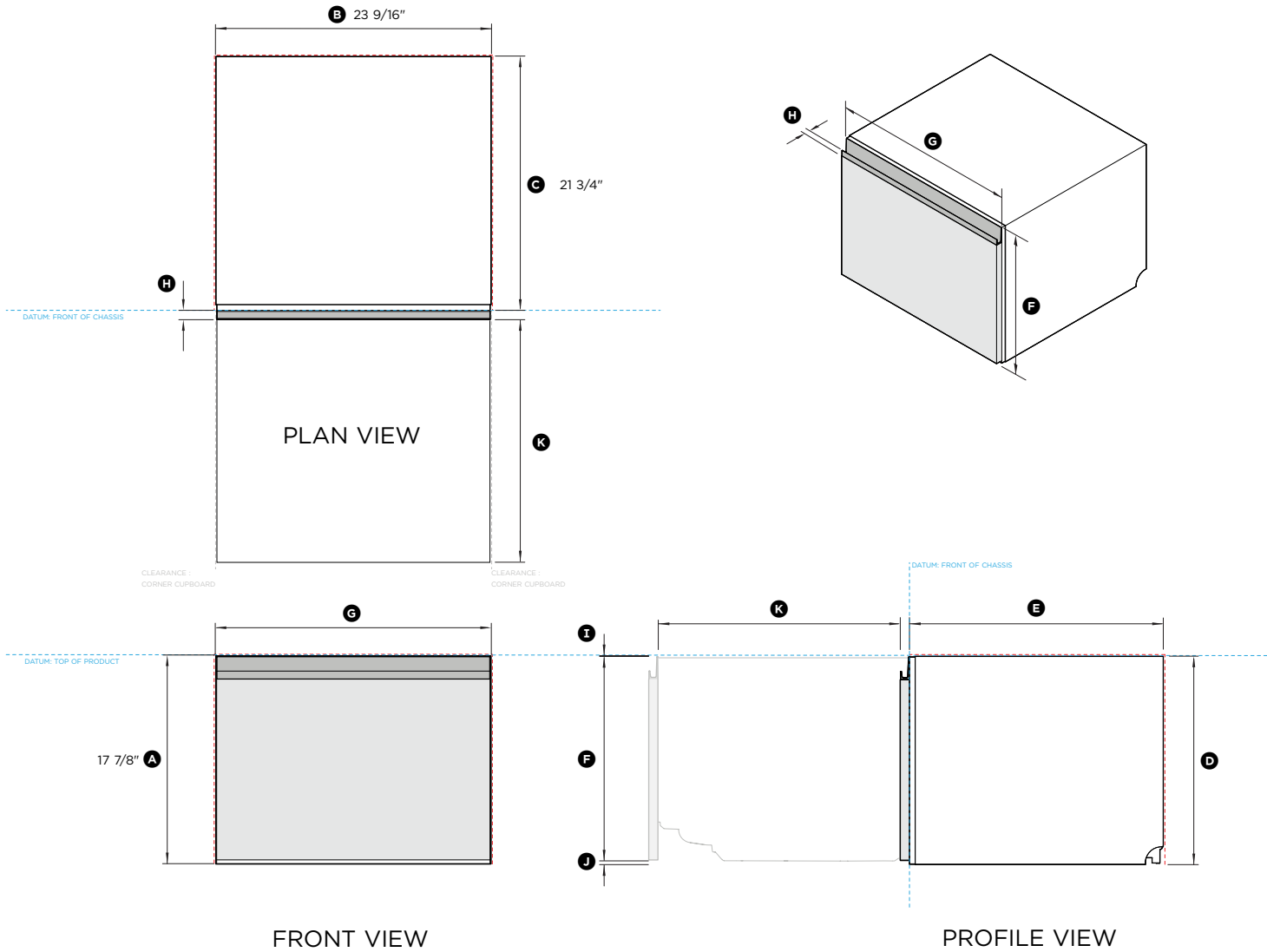
Note: Custom door panel to be manufactured/fitted by cabinetmaker

Venting consideration for the toe kick design, please refer to the installation guide

INDICATES PRODUCT DATUM -----
 INDICATES CABINETRY CLEARANCES - - - - -

IMPORTANT NOTE: Throughout this guide, dimensions may vary by ±2mm (1/16"). Please read the installation manual for detailed information on installing the product. For full installation instructions & specifications visit fisherpaykel.com





Model nos:

DD24STI9 N & DD624STHI9 N

Shown with Recessed Handle Stainless Steel Door Panel, ADDD60STNX
Available Recessed Handle Stainless Steel Black Door Panel, ADDD60STNB

NOTE:

Refer to page 4 - Design Choices for all door panel and handle options

Product Dimensions	inch	mm
Ⓐ Overall height of product	17 7/8	454
Ⓑ Overall width of product	23 9/16	599
Ⓒ Overall depth of product*	21 3/4	553
Ⓓ Height of chassis	17 7/8	454
Ⓔ Depth of chassis	21 3/4	553
Ⓕ Height of door panel	17 3/8	442
Ⓖ Width of door panel	23 7/16	595
Ⓗ Depth of door panel	13/16	20
Ⓘ Height from top of door panel to top of chassis	1/16	2
Ⓛ Height of ventilation gap below door panel	5/16	8
Ⓜ Maximum extension of drawer*	20 3/4	527

*excluding door panel and handle

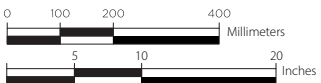
Minimum Clearances	inch	mm
Minimum inside height of cavity	17 15/16	456
Minimum inside width of cavity	23 5/8	600
Minimum overall depth of cavity*	22 13/16	579
Minimum clearance to corner cupboard	1/2	13
Minimum clearance to adjacent cupboard door	1/16	2

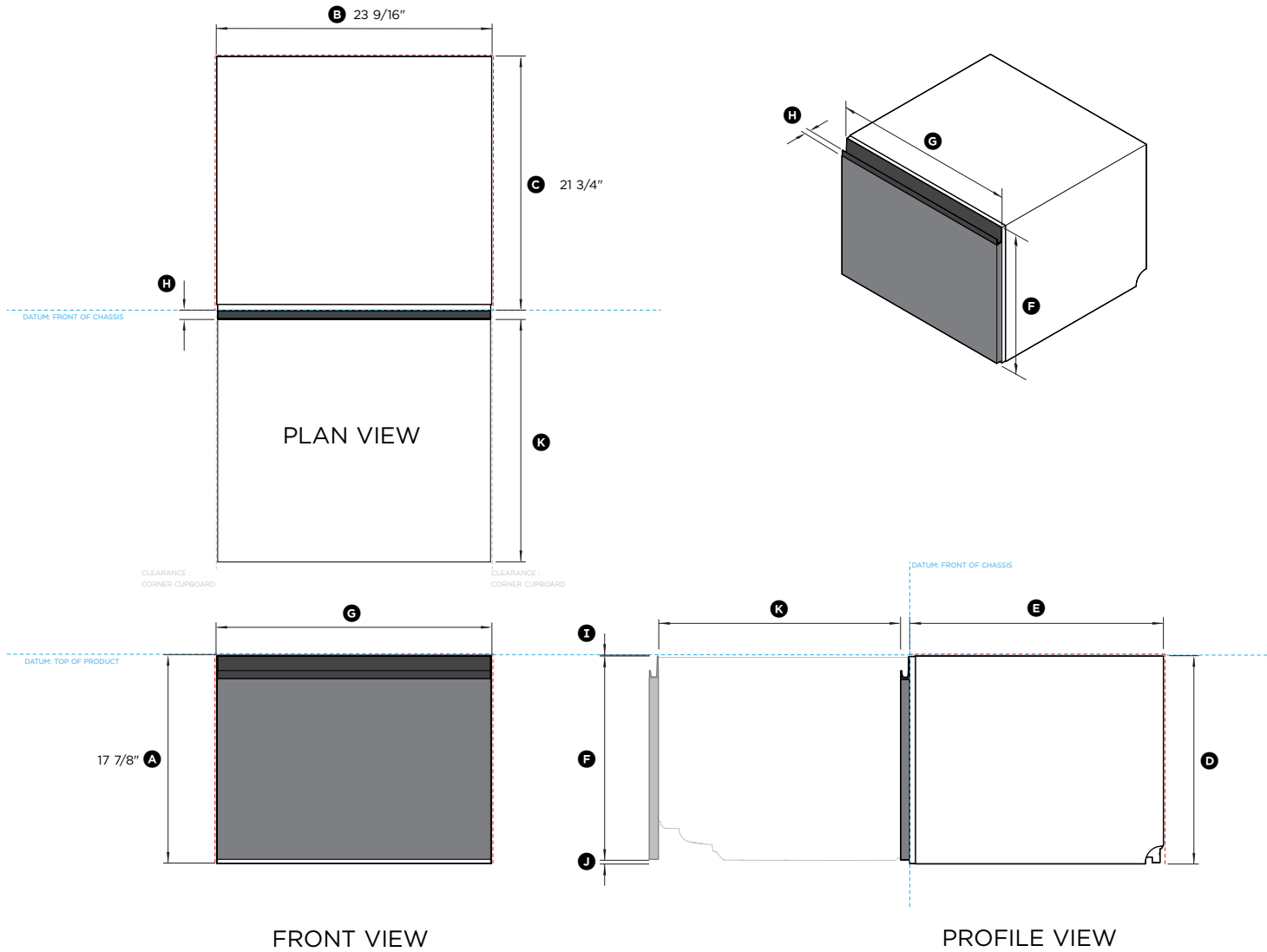
*Including 3/4" (19mm) door panels on adjacent cabinetry.

Venting consideration for the toe kick design, please refer to the installation guide

INDICATES PRODUCT DATUM -----
INDICATES CABINETRY CLEARANCES - - - - -

IMPORTANT NOTE: Throughout this guide, dimensions may vary by ±2mm (1/16"). Please read the installation manual for detailed information on installing the product. For full installation instructions & specifications visit fisherpaykel.com





Model nos:
DD24STI9 N & DD624STHI9 N
 Shown with Recessed Handle Matte Black Glass Door Panel, ADDD60STZB

NOTE:
 Refer to page 4 - Design Choices for all door panel and handle options

Product Dimensions	inch	mm
Ⓐ Overall height of product	17 7/8	454
Ⓑ Overall width of product	23 9/16	599
Ⓒ Overall depth of product*	21 3/4	553
Ⓓ Height of chassis	17 7/8	454
Ⓔ Depth of chassis	21 3/4	553
Ⓕ Height of door panel	17 3/8	442
Ⓖ Width of door panel	23 7/16	595
Ⓗ Depth of door panel	13/16	20
Ⓘ Height from top of door panel to top of chassis	1/16	2
Ⓛ Height of ventilation gap below door panel	1/16	8
Ⓚ Maximum extension of drawer*	20 3/4	527

*excluding door panel and handle

Minimum Clearances	inch	mm
Minimum inside height of cavity	17 15/16	456
Minimum inside width of cavity	23 5/8	600
Minimum overall depth of cavity*	22 13/16	579
Minimum clearance to corner cupboard	1/2	13
Minimum clearance to adjacent cupboard door	1/16	2

*Including 3/4" (19mm) door panels on adjacent cabinetry.

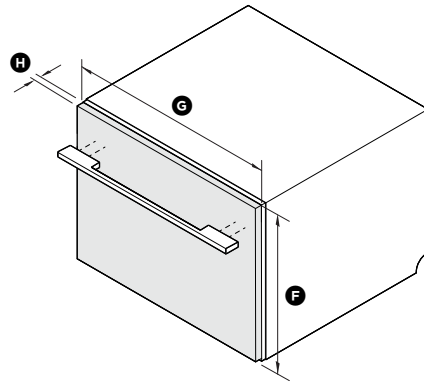
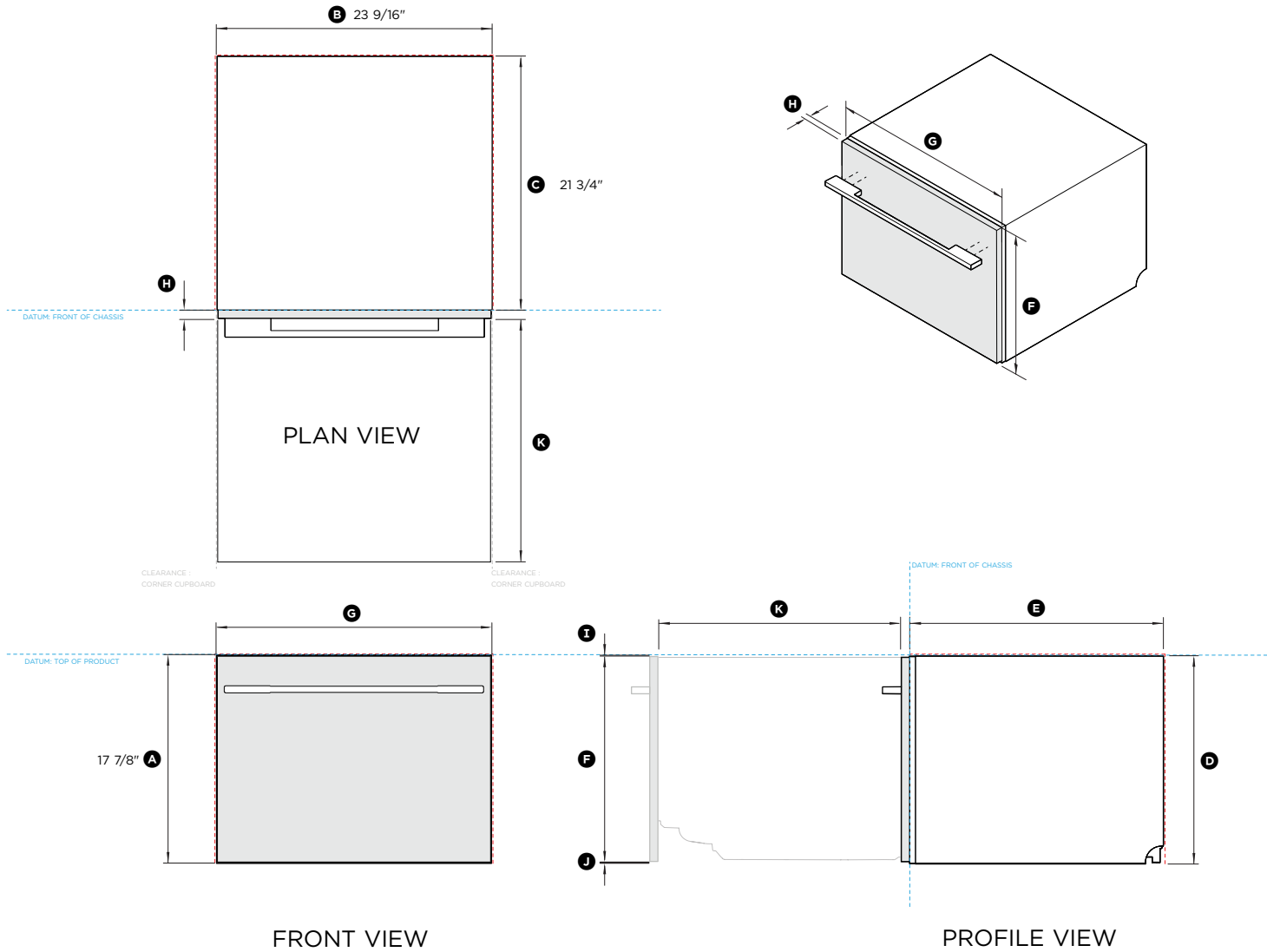
Venting consideration for the toe kick design, please refer to the installation guide

INDICATES PRODUCT DATUM -----
 INDICATES CABINETRY CLEARANCES -----

IMPORTANT NOTE: Throughout this guide, dimensions may vary by ±2mm (1/16"). Please read the installation manual for detailed information on installing the product. For full installation instructions & specifications visit fisherpaykel.com



DATA SHEETS
DD24STX6I1 & DD24STX6HI1



Model nos:

DD24STX6I1 & DD24STX6HI1

Shown with Stainless Steel Door Panel, ADDD24STPX
 Available Black Stainless Steel Door Panel, ADDD24STPB
 Shown with Contemporary Square Fine Handle, AHD5OBDD60SX

NOTE:

Refer to page 4 - Design Choices for all door panel and handle options

Product Dimensions	inch	mm
Ⓐ Overall height of product	17 7/8	454
Ⓑ Overall width of product	23 9/16	599
Ⓒ Overall depth of product*	21 3/4	553
Ⓓ Height of chassis	17 7/8	454
Ⓔ Depth of chassis	21 3/4	553
Ⓕ Height of door panel	17 5/8	447
Ⓖ Width of door panel	23 7/16	595
Ⓗ Depth of door panel	11/16	18
Ⓘ Height from top of door panel to top of chassis	1/16	2
Ⓚ Height of ventilation gap below door panel	1/16	2
Ⓛ Maximum extension of drawer*	20 3/4	527

*excluding door panel and handle

Minimum Clearances	inch	mm
Minimum inside height of cavity	17 15/16	456
Minimum inside width of cavity	23 5/8	600
Minimum overall depth of cavity*	22 13/16	579
Minimum clearance to corner cupboard	1/2	13
Minimum clearance to adjacent cupboard door	1/16	2

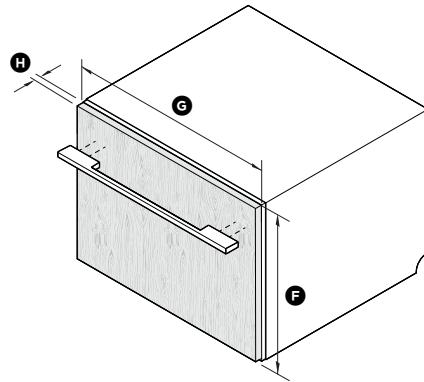
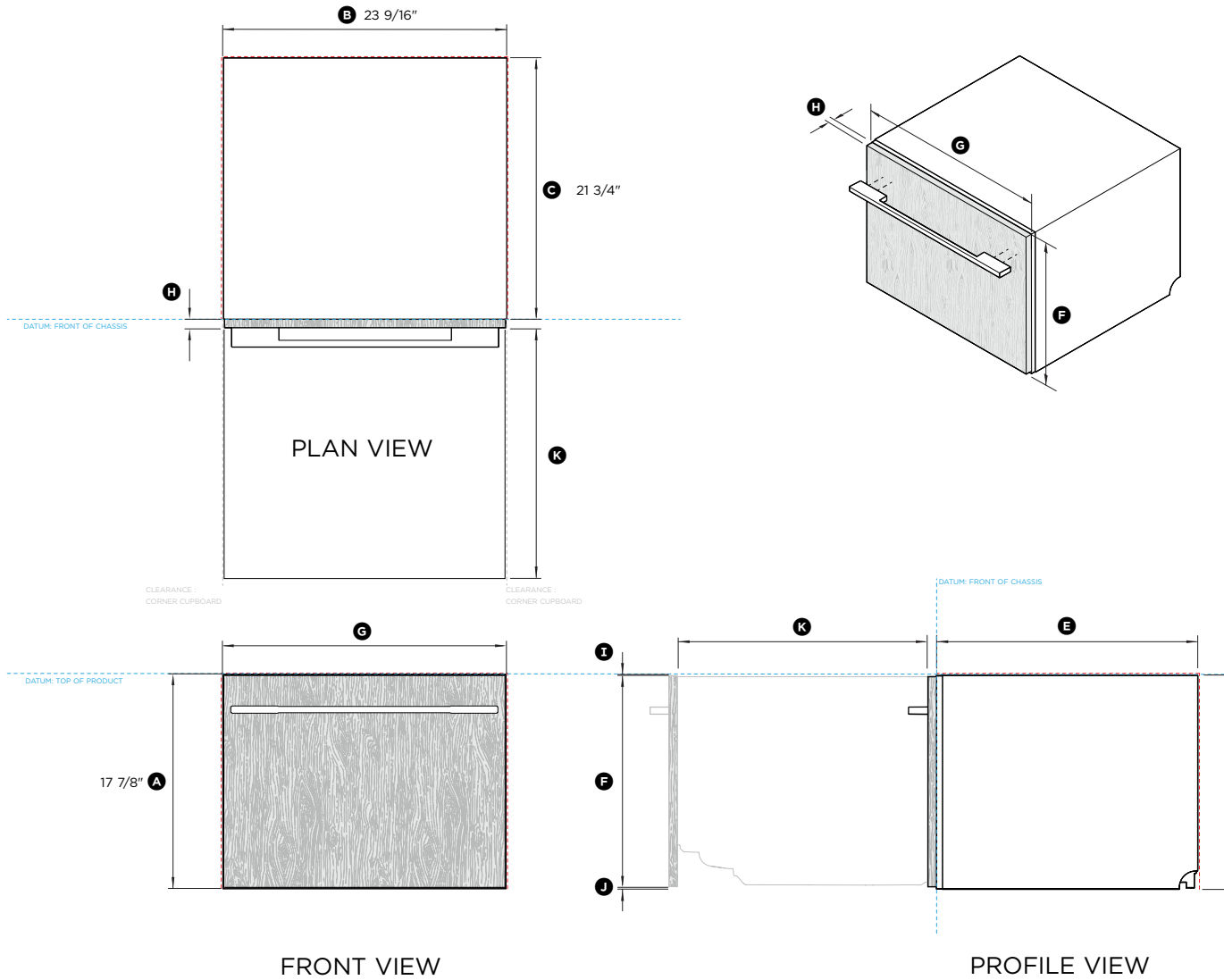
*Including 3/4" (19mm) door panels on adjacent cabinetry.

Venting consideration for the toe kick design, please refer to the installation guide

INDICATES PRODUCT DATUM -----
 INDICATES CABINETRY CLEARANCES -----

IMPORTANT NOTE: Throughout this guide, dimensions may vary by ±2mm (1/16"). Please read the installation manual for detailed information on installing the product. For full installation instructions & specifications visit fisherpaykel.com





Model nos:

DD24STX6I1 & DD24STX6H11

Shown with Custom Door Panel

Shown with Contemporary Square Fine Handle, AHD50BDD60SX

NOTE:

Refer to page 4 - Design Choices for all door panel and handle options

Product Dimensions	inch	mm
Ⓐ Overall height of product	17 7/8	454
Ⓑ Overall width of product	23 9/16	599
Ⓒ Overall depth of product*	21 3/4	553
Ⓓ Height of chassis	17 7/8	454
Ⓔ Depth of chassis	21 3/4	553
Ⓕ Minimum height of door panel	17 5/8	447
Ⓖ Width of door panel	23 7/16	595
Ⓗ Depth of door panel	5/8 - 13/16	16 -20
Ⓘ Height from top of door panel to top of chassis	1/16	2
Ⓛ Height of ventilation gap below door panel	1/16	2
Ⓚ Maximum extension of drawer*	20 3/4	527

*excluding door panel and handle

Minimum Clearances	inch	mm
Minimum inside height of cavity	17 15/16	456
Minimum inside width of cavity	23 5/8	600
Minimum overall depth of cavity*	22 13/16	579
Minimum clearance to corner cupboard	1/2	13
Minimum clearance to adjacent cupboard door	1/16	2

*Including 3/4" (19mm) door panels on adjacent cabinetry.

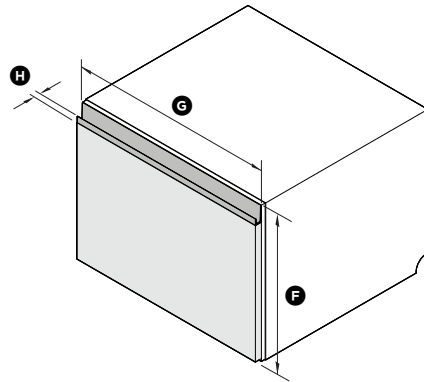
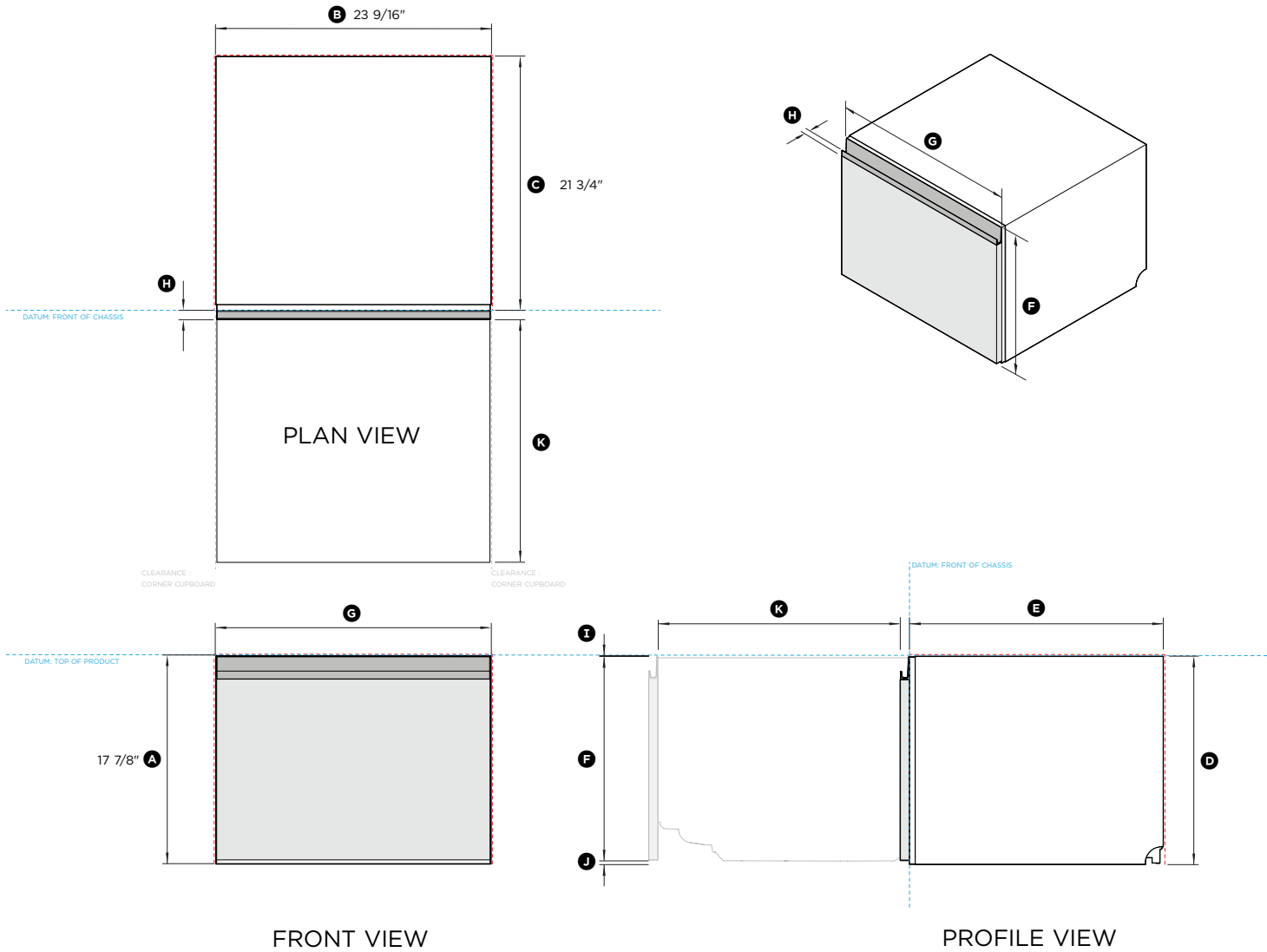
Note: Custom door panel to be manufactured/fitted by cabinetmaker

Venting consideration for the toe kick design, please refer to the installation guide

INDICATES PRODUCT DATUM -----
 INDICATES CABINETRY CLEARANCES - - - - -

IMPORTANT NOTE: Throughout this guide, dimensions may vary by ±2mm (1/16"). Please read the installation manual for detailed information on installing the product. For full installation instructions & specifications visit fisherpaykel.com





Model nos:

DD24STX6I1 & DD24STX6HI1

Shown with Recessed Handle Stainless Steel Door Panel, ADDD24STNX
 Available Recessed Handle Stainless Steel Black Door Panel, ADDD24STNB
 Shown with Contemporary Square Fine Handle, AHD5OBDD60S

NOTE:

Refer to page 4 - Design Choices for all door panel and handle options

Product Dimensions	inch	mm
Ⓐ Overall height of product	17 7/8	454
Ⓑ Overall width of product	23 9/16	599
Ⓒ Overall depth of product*	21 3/4	553
Ⓓ Height of chassis	17 7/8	454
Ⓔ Depth of chassis	21 3/4	553
Ⓕ Height of door panel	17 3/8	442
Ⓖ Width of door panel	23 7/16	595
Ⓗ Depth of door panel	13/16	20
Ⓘ Height from top of door panel to top of chassis	1/16	2
Ⓛ Height of ventilation gap below door panel	5/16	8
Ⓜ Maximum extension of drawer*	20 3/4	527

*excluding door panel and handle

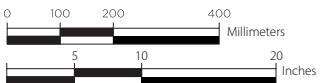
Minimum Clearances	inch	mm
Minimum inside height of cavity	17 15/16	456
Minimum inside width of cavity	23 5/8	600
Minimum overall depth of cavity*	22 13/16	579
Minimum clearance to corner cupboard	1/2	13
Minimum clearance to adjacent cupboard door	1/16	2

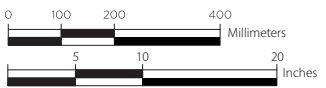
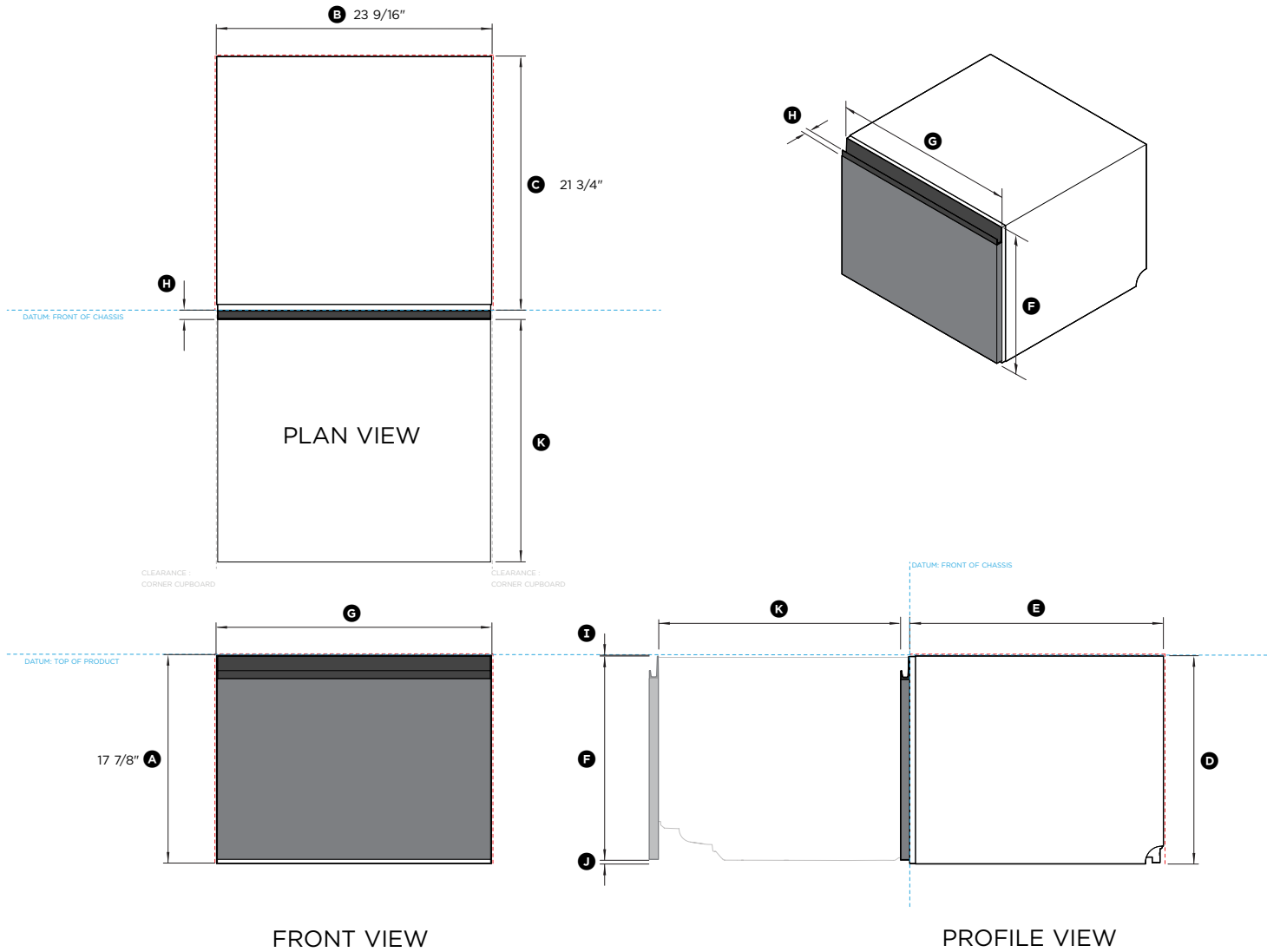
*Including 3/4" (19mm) door panels on adjacent cabinetry.

Venting consideration for the toe kick design, please refer to the installation guide

INDICATES PRODUCT DATUM -----
 INDICATES CABINETRY CLEARANCES -----

IMPORTANT NOTE: Throughout this guide, dimensions may vary by ±2mm (1/16"). Please read the installation manual for detailed information on installing the product. For full installation instructions & specifications visit fisherpaykel.com





Model nos:
DD24STX6I1 & DD24STX6HI1
 Shown with Recessed Handle Matte Black Glass Door Panel, ADDD24STZB

NOTE:
 Refer to page 4 - Design Choices for all door panel and handle options

Product Dimensions	inch	mm
Ⓐ Overall height of product	17 7/8	454
Ⓑ Overall width of product	23 9/16	599
Ⓒ Overall depth of product*	21 3/4	553
Ⓓ Height of chassis	17 7/8	454
Ⓔ Depth of chassis	21 3/4	553
Ⓕ Height of door panel	17 3/8	442
Ⓖ Width of door panel	23 7/16	595
Ⓗ Depth of door panel	13/16	20
Ⓘ Height from top of door panel to top of chassis	1/16	2
Ⓛ Height of ventilation gap below door panel	5/16	8
Ⓚ Maximum extension of drawer*	20 3/4	527

*excluding door panel and handle

Minimum Clearances	inch	mm
Minimum inside height of cavity	17 15/16	456
Minimum inside width of cavity	23 5/8	600
Minimum overall depth of cavity*	22 13/16	579
Minimum clearance to corner cupboard	1/2	13
Minimum clearance to adjacent cupboard door	1/16	2

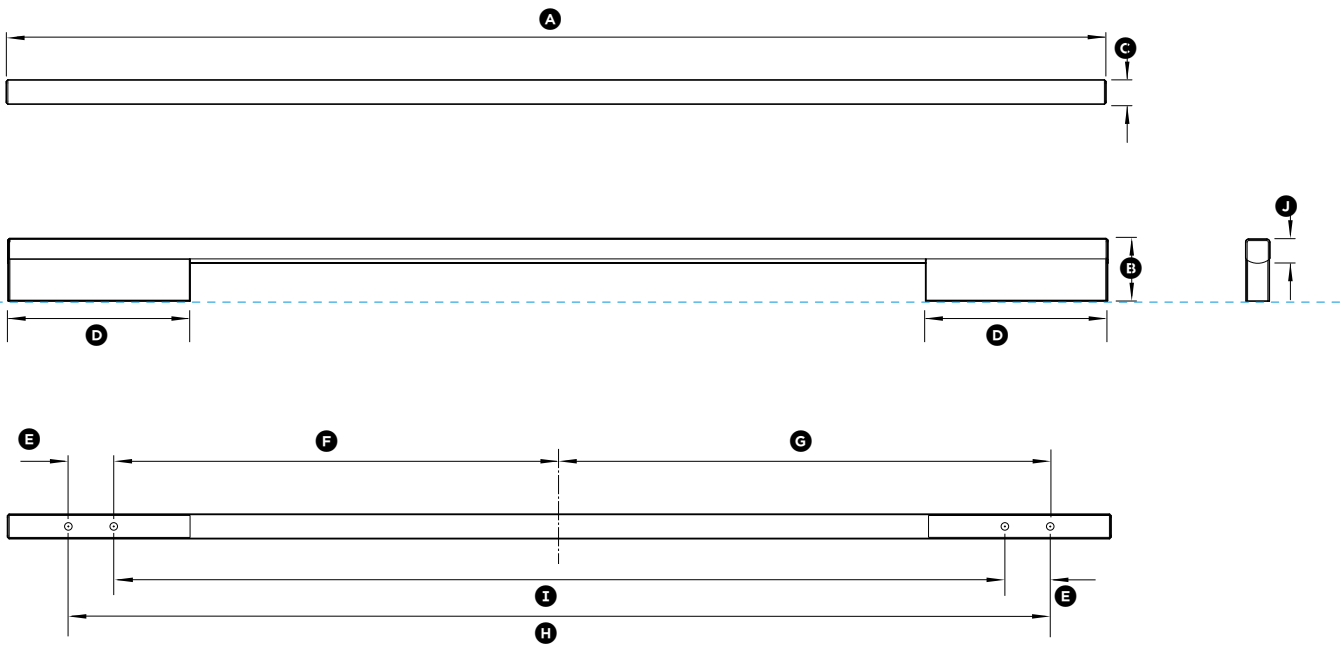
*Including 3/4" (19mm) door panels on adjacent cabinetry.

Venting consideration for the toe kick design, please refer to the installation guide

INDICATES PRODUCT DATUM -----
 INDICATES CABINETRY CLEARANCES -----

IMPORTANT NOTE: Throughout this guide, dimensions may vary by ±2mm (1/16"). Please read the installation manual for detailed information on installing the product. For full installation instructions & specifications visit fisherpaykel.com

HANDLE DATA SHEETS



Model no:
 Square Handle **AHD30BDD60S**
 Black Square Handle **AHD30BDD60B**

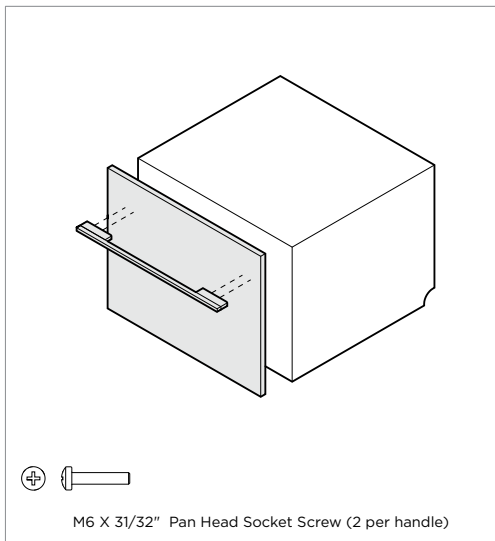
For Models:
 DD24SI9 N, DD24STI9 N, DD24STHI9 N, DD24STX6I1 & DD24STX6HI1

Compatible with door panel kits:
 Square Handle for Door Panel Kits ADDD24SPX, ADDD24STPX
 Black Square Handle for Door Panel Kits ADDD24SPB, ADDD24STPB

Handle Dimensions	inch	mm
Ⓐ Overall length of handle	22 1/4	565
Ⓑ Overall depth of handle	1 5/8	41
Ⓒ Overall height of handle	5/8	16
Ⓓ Length of off-stand	3 15/16	100
Ⓔ Distance between attachment holes between each off-stand	1 1/4	32
Ⓕ Distance from centerline to inner attachment holes	8 1/2	216
Ⓖ Distance from centerline to outer attachment holes	9 25/32	248.5
Ⓗ Distance between inner attachment holes	17	432
Ⓘ Distance between outer attachment holes	19 9/16	497
⓵ Thickness of handle rail	5/8	16

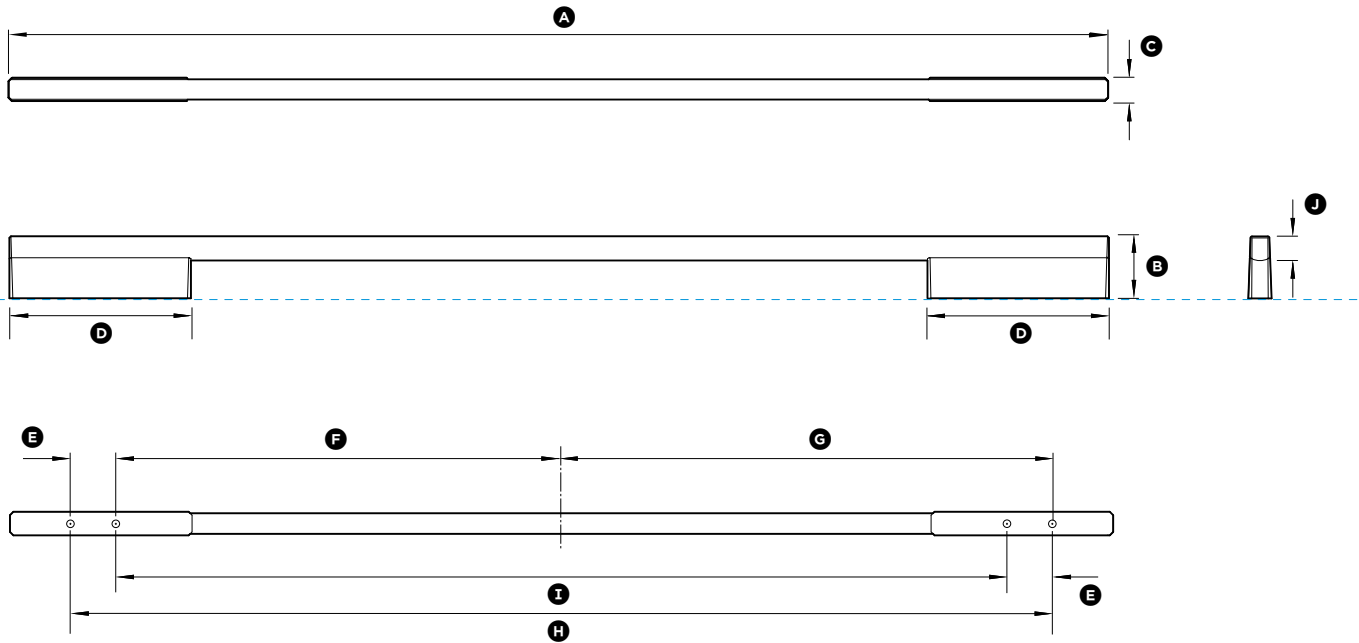
*Suits standard 3/4" (19mm) door panel. Thicker door panels may require counterboring or longer screws.

Note:
 Single DishDrawer requires one handle kit, double DishDrawer requires two handle kits



INDICATES PRODUCT DATUM -----

IMPORTANT NOTE: Throughout this guide, dimensions may vary by ±2mm (1/16"). Please read the installation manual for detailed information on installing the product. For full installation instructions & specifications visit fisherpaykel.com



Model no:

Square Fine Handle **AHD50BDD60SX**
 Black Square Fine Handle **AHD50BDD60SB**

For Models:

DD24SI9 N, DD24STI9 N, DD24STHI9 N, DD24STX6I1 & DD24STX6HI1

Compatible with door panel kits:

Square Fine Handle for Door Panel Kits ADDD24SPX, ADDD24STPX
 Black Square Fine Handle for Door Panel Kits ADDD24SPB, ADDD24STPB

Handle Dimensions

	inch	mm
Ⓐ Overall length of handle	22 1/4	565
Ⓑ Overall depth of handle	1 5/8	41
Ⓒ Overall height of handle	5/8	16
Ⓓ Length of off-stand	3 15/16	100
Ⓔ Distance between attachment holes between each off-stand	1 1/4	32
Ⓕ Distance from centerline to inner attachment holes	8 1/2	216
Ⓖ Distance from centerline to outer attachment holes	9 25/32	248.5
Ⓗ Distance between inner attachment holes	17	432
Ⓙ Distance between outer attachment holes	19 9/16	497
Ⓚ Thickness of handle rail	5/8	16

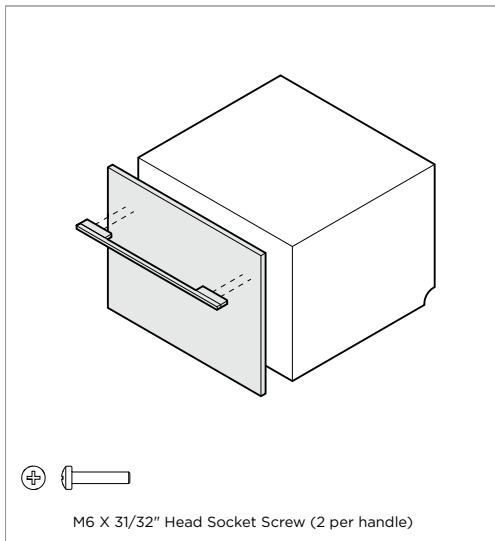
*Suits standard 3/4" (19mm) door panel. Thicker door panels may require counterboring or longer screws.

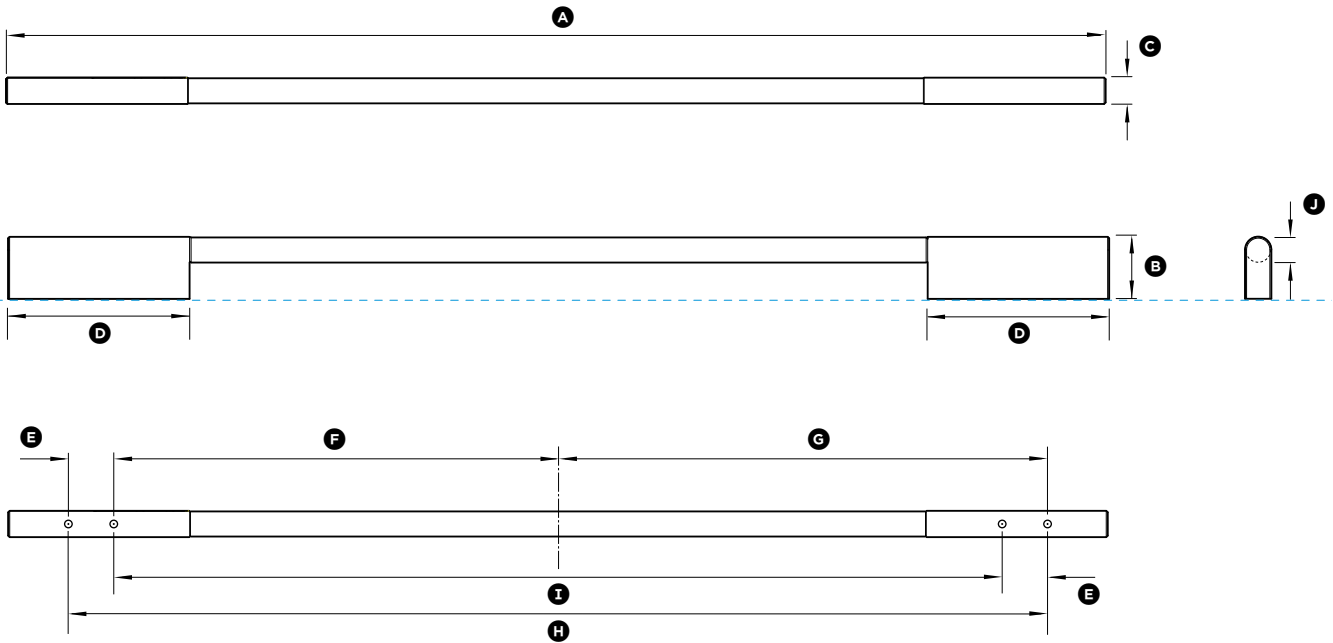
Note:

Single DishDrawer requires one handle kit, double DishDrawer requires two handle kits

INDICATES PRODUCT DATUM -----

IMPORTANT NOTE: Throughout this guide, dimensions may vary by ±2mm (1/16"). Please read the installation manual for detailed information on installing the product. For full installation instructions & specifications visit fisherpaykel.com





Model no:
Round Handle **AHSOBDD60S**

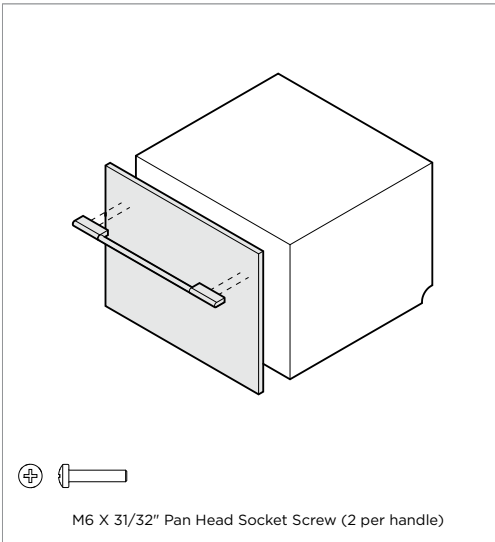
For Models:
DD24SI9 N, DD24STI9 N, DD24STHI9 N, DD24STX6I1 & DD24STX6HI1

Compatible with door panel kits:
Round Handle for Door Panel Kits ADDD24SPX, ADDD24STPX

Handle Dimensions	inch	mm
Ⓐ Overall length of handle	22 1/4	565
Ⓑ Overall depth of handle	1 5/8	41
Ⓒ Overall height of handle	21/32	17
Ⓓ Length of off-stand	3 15/16	100
Ⓔ Distance between attachment holes between each off-stand	1 1/4	32
Ⓕ Distance from centerline to inner attachment holes	8 1/2	216
Ⓖ Distance from centerline to outer attachment holes	9 25/32	248.5
Ⓗ Distance between inner attachment holes	17	432
Ⓙ Distance between outer attachment holes	19 9/16	497
Ⓚ Thickness of handle rail	5/8	16

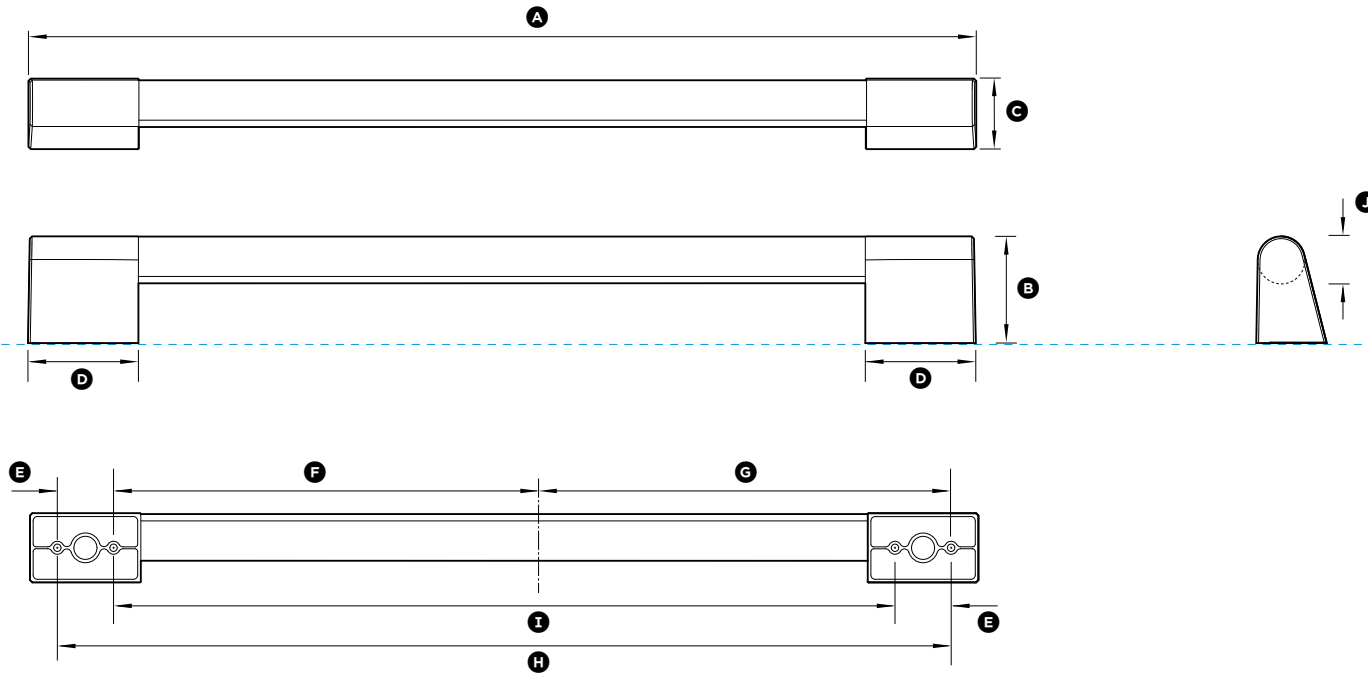
*Suits standard 3/4" (19mm) door panel. Thicker door panels may require counterboring or longer screws.

Note:
Single DishDrawer requires one handle kit, double DishDrawer requires two handle kits



INDICATES PRODUCT DATUM -----

IMPORTANT NOTE: Throughout this guide, dimensions may vary by ±2mm (1/16"). Please read the installation manual for detailed information on installing the product. For full installation instructions & specifications visit fisherpaykel.com



Model no:
 Professional Flush Handle Stainless Steel **AHP3DWDD60S**
 Professional Flush Handle Brass **AHP3DDDW24BA**
 Professional Flush Handle Dark Copper **AHP3DDDW24DC**

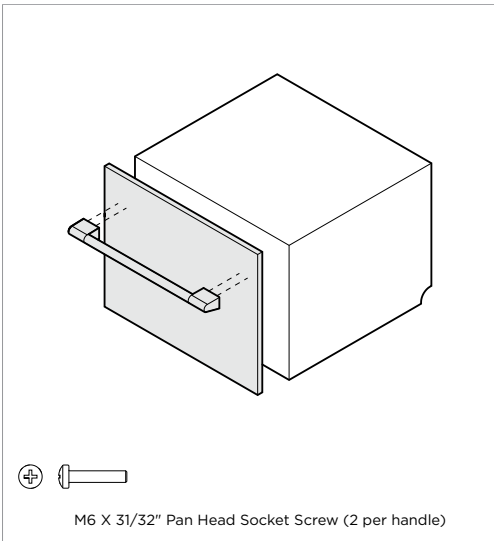
For Models:
 DD24SI9 N, DD24STI9 N, DD24STHI9 N, DD24STX6I1 & DD24STX6HI1

Compatible with door panel kits:
 Professional Flush Handle for door Panel Kits ADDD24SPX, ADDD24STPX

Handle Dimensions	inch	mm
Ⓐ Overall length of handle	20 9/32	515
Ⓑ Overall depth of handle	2 9/32	58
Ⓒ Overall height of handle	1 1/2	38
Ⓓ Length of off-stand	2 3/8	60
Ⓔ Distance between attachment holes between each off-stand	1 1/4	32
Ⓕ Distance from centerline to inner attachment holes	8 1/2	216
Ⓖ Distance from centerline to outer attachment holes	9 25/32	248.5
Ⓗ Distance between inner attachment holes	17	432
Ⓘ Distance between outer attachment holes	19 9/16	497
Ⓢ Thickness of handle rail	1	25

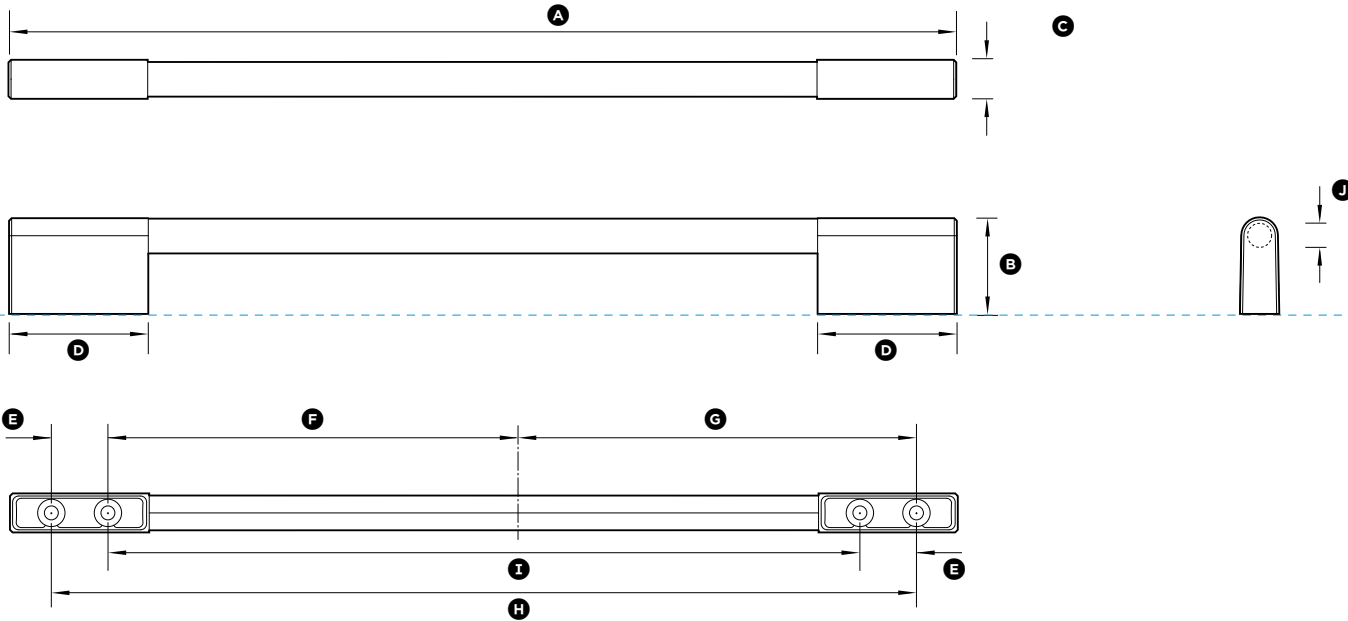
*Suits standard 3/4" (19mm) door panel. Thicker door panels may require counterboring or longer screws.

Note:
 Single DishDrawer requires one handle kit, double DishDrawer requires two handle kits



INDICATES PRODUCT DATUM -----

IMPORTANT NOTE: Throughout this guide, dimensions may vary by ±2mm (1/16"). Please read the installation manual for detailed information on installing the product. For full installation instructions & specifications visit fisherpaykel.com



Model no:
Classic Round Handle **AHCLDDDW60X**

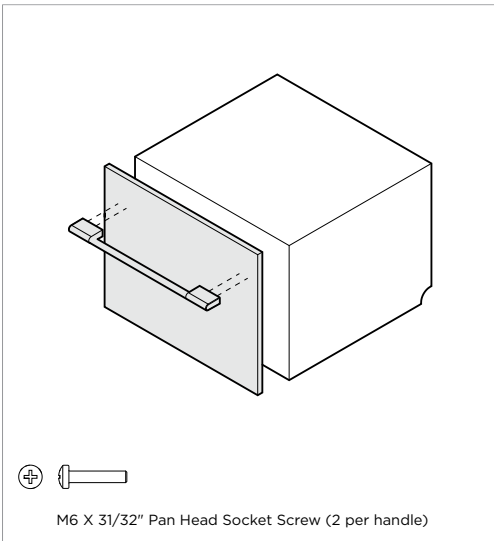
For Models:
DD24SI9 N, DD24STI9 N, DD24STHI9 N, DD24STX6I1 & DD24STX6HI1

Compatible with door panel kits:
Classic Round Handle for Door Panel Kits ADDD24SPX, ADDD24STPX

Handle Dimensions	inch	mm
Ⓐ Overall length of handle	21 7/16	544
Ⓑ Overall depth of handle	2 3/16	55
Ⓒ Overall height of handle	7/8	22
Ⓓ Length of off-stand	3 1/8	80
Ⓔ Distance between attachment holes between each off-stand	1 1/4	32
Ⓕ Distance from centerline to inner attachment holes	8 1/2	216
Ⓖ Distance from centerline to outer attachment holes	9 25/32	248.5
Ⓗ Distance between inner attachment holes	17	432
Ⓘ Distance between outer attachment holes	19 9/16	497
Ⓣ Thickness of handle rail	13/16	20

*Suits standard 3/4" (19mm) door panel. Thicker door panels may require counterboring or longer screws.

Note:
Single DishDrawer requires one handle kit, double DishDrawer requires two handle kits



INDICATES PRODUCT DATUM -----

IMPORTANT NOTE: Throughout this guide, dimensions may vary by ±2mm (1/16"). Please read the installation manual for detailed information on installing the product. For full installation instructions & specifications visit fisherpaykel.com

