

DAYTON® SPECIFICATIONS

Dayton® Double Bowl Sink Model DD125224DF

GENERAL

Sink is formed of #22 gauge, 300 series, nickel-bearing stainless steel.
Top mount.

DESIGN FEATURES

Bowl Depth: 7-1/16" (179mm)
Coved Corners: 4" (102mm) vertical and 3-1/4" (83mm) horizontal radius.
Rim Height: 5/32" (4mm)
Faucet Deck: Raised
Finish: Exposed surfaces are polished to a satin finish.
Underside: Undercoated on bottom of bowls.

OTHER

Drain Opening: 3-1/2" (89mm)
Installation Hardware: Included for 3/4" (19mm) countertop.

OPTIONAL ACCESSORIES

Bottom Grid: GBG2115SS
Drain: LK35, D1125
Sink complies with ASME A112.19.3/ CSA B45.4



Sinks are listed by IAPMO® as meeting the applicable requirements of the Uniform Plumbing Code®, International Plumbing Code®, and National Plumbing Code of Canada.

SINK PACKAGE

DD125224DF includes: (1) Sink - DD125224, (1) Faucet - LK2478CR and (1) Drain.

FAUCET FEATURES

Chrome finished, single-lever kitchen faucet with side spray.
Flexible supply tubes with 1/2" (13mm) male IPS adapters.
Faucets comply with: ADA, ANSI/NSF61, ASME A112.18.1/CSA B125.1, cUPC, CA AB1953
Faucet flow rate: 1.5 GPM/5.7 L/min at 60 P.S.I.G.

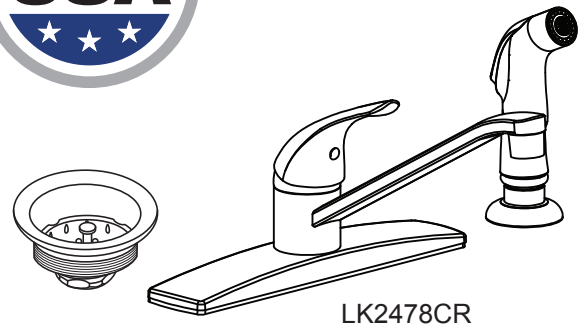
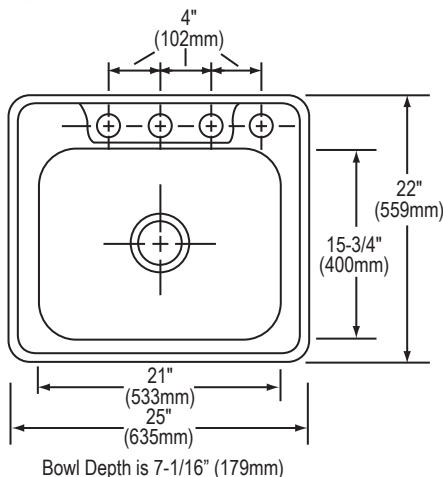
DRAIN FEATURES

Stainless steel body and strainer.
Fits 3-1/2" (89mm) opening.

SINK DIMENSIONS (INCHES)*

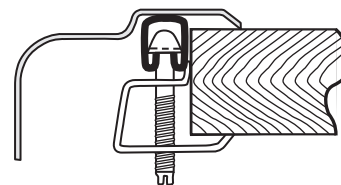
Model Number	Overall		Inside Each Bowl			Cutout in Countertop (1-1/2" (38mm) Radius Corners)		No. of 1-1/2" (38mm) Dia. Faucet Holes 4" (102mm) Center	Minimum Cabinet Size
	L	W	L	W	D	L	W		
DD125224DF	25 (635mm)	22 (559mm)	21 (533mm)	15-3/4 (400mm)	7-1/16 (179mm)	24-3/8 (619mm)	21-3/8 (543mm)	4	30 (762mm)

*Length is left to right. Width is front to back.



LK2478CR

U-Channel Type Mounting System



In keeping with our policy of continuing product improvement, Elkay reserves the right to change product specifications without notice. Please visit elkayusa.com for most current version of Elkay product specification sheets.

This specification describes an Elkay product with design, quality and functional benefits to the user. When making a comparison of other producers' offerings, be certain these features are not overlooked.