

Danby[®]
Designer

COMPACT REFRIGERATOR RÉFRIGÉRATEUR COMPACT

- **OWNER'S USE AND CARE GUIDE**
- **GUIDE D'UTILISATION ET SOINS DE PROPRIÉTAIRE**

**MODEL • MODÈLE
DCR032C1BSLDD**



Danby Products Limited, Guelph, Ontario, Canada N1H 6Z9
Danby Products Inc., Findlay, Ohio, USA 45840

05.08.14

Contents / Table des matières

COMPACT REFRIGERATOR

Owner's Use and Care Guide 2-10

- Safety Instructions
- Installation Instructions
- Features
- Operating Instructions
- Care and Maintenance
- Troubleshooting
- Warranty

RÉFRIGÉRATEUR COMPACT

Guide d'utilisation et soin du propriétaire 11-19

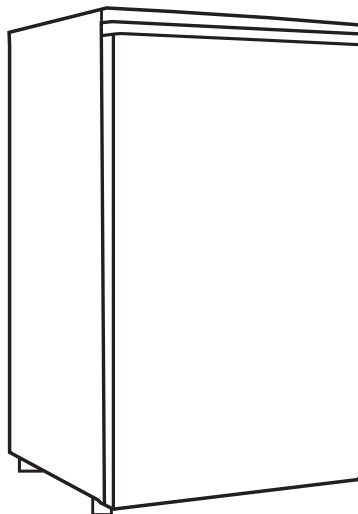
- Consignes de sécurité
- Consignes d'installation
- Caractéristiques
- Opération
- Soins et entretien
- Dépannage
- Garantie

CAUTION

Read and follow all safety rules and operating instructions before first use of this product.

AVERTISSEMENT

Veillez lire attentivement les consignes de sécurité et les instructions d'utilisation avant l'utilisation initiale de ce produit.



Model • Modèle DCR032C1BSLDD

Welcome

Welcome to the Danby family. We are proud of our quality products, and we believe in dependable service, like you will find in this Owner's Use and Care Guide, and like you will receive from our friendly customer service department. Best of all, you will experience these values each and every time you use your Danby appliance. That is important, because your new appliance will be a part of your family for a long time.

**Note the information below; you will need this information to obtain service under warranty.
To receive service, you must provide the original receipt.**

Model Number:	_____
Serial Number:	_____
Date of Purchase:	_____

NEED HELP?

Before you call for service, here are a few things you can do to help us serve you better:

Read this Owner's Use and Care Guide:

It contains instructions to help you use and maintain your appliance properly.

If you received a damaged appliance:

Immediately contact the retailer (or builder) that sold you the appliance.

Save time and money:

Check the Troubleshooting section at the end of the guide before calling. This section helps you solve common problems that may occur.

If you do need service, you can relax, knowing help is only a phone call away.





Important Safety Information

READ AND FOLLOW ALL SAFETY INSTRUCTIONS

FOR YOUR SAFETY: When using your refrigerator, follow the precautions listed below.

Please ensure that component parts shall be replaced with like components and that servicing shall be done by factory authorized service personnel, so as to minimize the risk of possible ignition due to incorrect parts or improper service.

ELECTRICAL REQUIREMENTS

WARNING

Improper use of the grounding plug can result in a risk of electric shock. Consult a qualified electrician or serviceman if the grounding instructions are not completely understood, or if doubt exists as to whether the appliance is properly grounded.

This appliance must be grounded. In the event of an electrical short circuit, grounding reduces the risk of electrical shock by providing an escape wire for the electrical current.

This appliance is equipped with a cord having a grounding wire with a grounding plug. The plug must be plugged into an outlet that is properly installed and grounded.

DO NOT USE AN EXTENSION CORD

Use an exclusive 115V wall outlet. Do not connect your refrigerator to extension cords or together with any other appliance in the same wall outlet. Do not splice the cord.

IMPORTANT WARNING!

An empty refrigerator is a very dangerous attraction to children. Remove the gasket, latches, lids or doors from unused appliances, or take some other action that will guarantee the appliance harmless.

DANGER: Risk of child entrapment. Before you throw away your old refrigerator:

- Take off the doors.
- Leave the shelves in place so that children may not easily climb in.

DON'T WAIT! DO IT NOW!

WARNING! EXPLOSION HAZARD!

Risk of fire or explosion due to puncturing of refrigerant tubing. Do not use sharp objects to aid in defrost. Please handle with care. Keep flammable materials and vapors such as gasoline away from the refrigerator. Use nonflammable cleaner.

Disposal of this unit should be in accordance with federal and local regulations.

SAVE THESE INSTRUCTIONS!



Important Safety Information

READ AND FOLLOW ALL SAFETY INSTRUCTIONS

FOR YOUR SAFETY: When using your refrigerator, follow the precautions listed below.

Please ensure that component parts shall be replaced with like components and that servicing shall be done by factory authorized service personnel, so as to minimize the risk of possible ignition due to incorrect parts or improper service.

CAUTIONS

- Storing too much food or opening the door too frequently will cause the refrigerator to use more electrical consumption which can lead to a malfunction.
- **Do not** place objects on the work top that are heavy, sharp or corrosive.
- Anytime the power is disconnected from the unit wait 5-10 minutes before plugging back in.
- **Do not** store bottled drinks in the freezer, in order to keep the bottle from breaking and damaging the refrigerator.
- Open the door as little as possible during power failures.
- When defrosting, never use any sharp or metallic objects to remove the frost on the surface of the evaporator as it will damage the evaporator.
- **Do not** touch foods and containers in the freezer compartment with wet hands.

FOR HOUSEHOLD REFRIGERATING APPLIANCES

- Try not to open the door too often, especially when the weather is wet and hot. Once you open the door, close it as soon as possible.
- Every now and then check if the appliance is sufficiently ventilated (adequate air circulation behind the appliance).
- For household refrigerating appliances the recommended setting for the thermostat is the medium setting.
- Before loading the appliance with packages of fresh foods, make sure they are cooled to ambient temperature.
- Ice and frost layers increase energy consumption, so defrost the appliance as soon as the layer is 3-4 mm thick.
- If it is an outer condenser, the rear wall should always be clean, free of dust or any impurities.

LOCATION

Remove exterior and interior packaging, wipe the outside thoroughly with a soft dry cloth and the inside with a wet, lukewarm cloth. Avoid placing the unit in a narrow recess or near any heat source, direct sunlight, or moisture. Let air circulate freely around the unit. Keep the rear of the refrigerator 2 inches away from the wall.

Do not tilt the refrigerator more than 45° from the upright position during movement.

- 1) Select a place with a level surface.
- 2) Allow 2 inches of space all around the refrigerator.
- 3) Avoid direct sunlight and heat. Direct sunlight may affect the acrylic coating. Heat sources nearby will cause higher electricity consumption.
- 4) Avoid damp places. Too much moisture in the air will cause frost to form very quickly on the evaporator, and your refrigerator will have to be defrosted more frequently.

SAVE THESE INSTRUCTIONS!



Installation Instructions

DOOR REVERSAL INSTRUCTIONS

- Ensure the appliance is unplugged and empty.
- We recommend that 2 people handle the refrigerator during assembly.
- Adjust the 2 leveling feet to their highest position.

Tools Required

Cross-bladed screw driver - Phillips head

*NOTE:

- To take the door off it is necessary to tilt the appliance backward.
- You should rest the appliance on something solid e.g a chair just below the top panel.

DO NOT lay the appliance completely flat as this may damage the coolant system.

If you find the direction of opening the door on your appliance inconvenient, you can change it by following the diagram below.

CAUTION

To avoid personal injury to yourself and/or property, we recommend someone assist you during the door reversal process.

- 1 Remove the plastic hole covers which are located on the top left side of the refrigerator as shown in Figure 1.

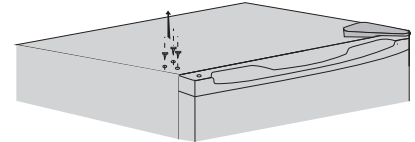


Figure 1

- 2 Remove the upper hinge and hinge cover on the right side of the refrigerator, as shown in Figure 2.

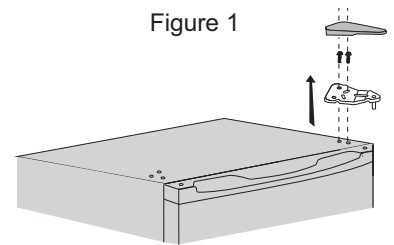


Figure 2

- 3 Remove the door and incline the refrigerator at an angle of 45 degrees. You should rest the refrigerator against something solid so that it will not slip during the door change process. Do not lay the refrigerator flat as this may damage the coolant system. On the underside of the refrigerator, remove the lower hinge bracket on the right side and the leveling foot on the left side and reverse their positions as shown in Figure 3.

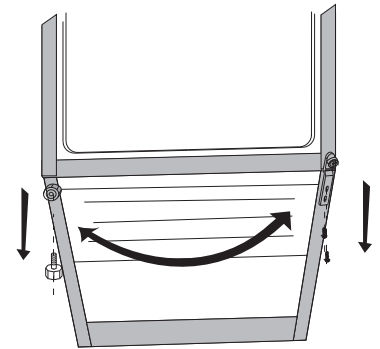


Figure 3

- 4 Install the lower hinge on the left side on the bottom of the refrigerator. Install the adjustable foot on the right side as shown in Figure 4.

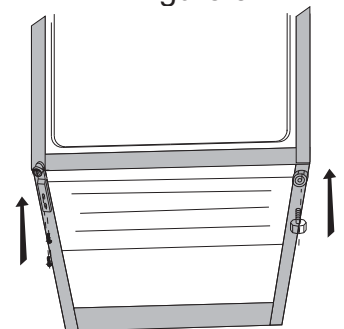


Figure 4



Installation Instructions

DOOR REVERSAL INSTRUCTIONS

5 Move the door bushing (shown on the right in Figure 5) to the left, and the plastic hole cover (shown on the left in Figure 5) to the right.

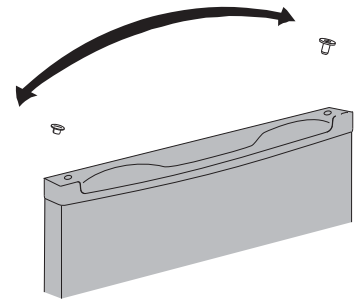


Figure 5

6 Move the door stopper located on the right side of the door to the left side as shown in Figure 6. If your unit has 2 pre-installed door stops, one on each side, this step is not necessary. Install the door onto the lower hinge located on the left side.

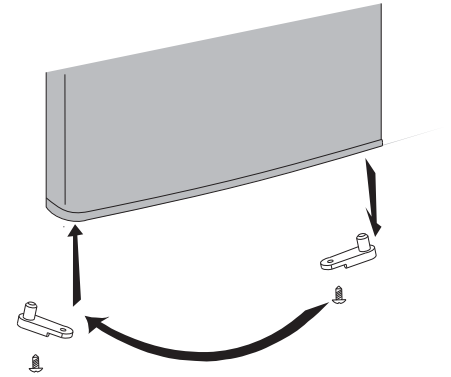


Figure 6

7 Install the upper hinge and hinge cover on the left side. Place the plastic hole covers in the holes on the right side of the top of the refrigerator.

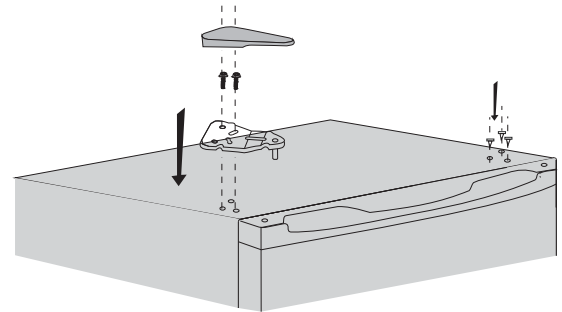
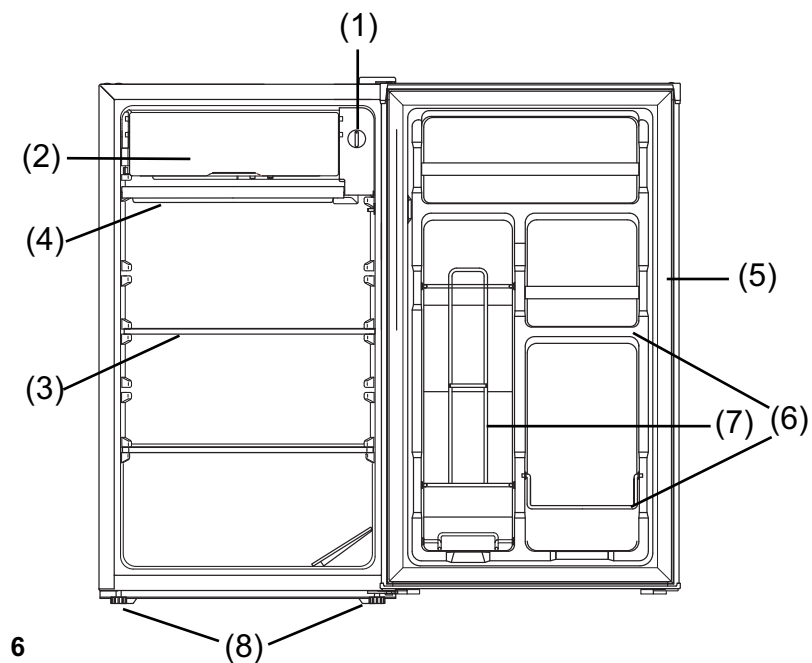


Figure 7



Features

- 1 **THERMOSTAT DIAL:** For controlling the temperature inside the refrigerator; the compressor activates as soon as the temperature rises above the desired level.
- 2 **FREEZER COMPARTMENT WITH FREEZER DOOR:** Separate freezer section can hold small items.
- 3 **WIRE SHELF**
- 4 **DRIP TRAY:** Catches the water that drips off the evaporator when defrosting.
- 5 **MAGNETIC GASKET:** Tight fitting door seal keeps all the cooling power locked inside. No hooks or latches.
- 6 **BOTTLE RACKS:** For tall, small and medium cans or jars.
- 7 **CANSTOR Door Liner:** Holds 355mL cans of pop, juice, or beer
- 8 **LEVELING LEGS:** Adjust so the unit is leveled on the surface.

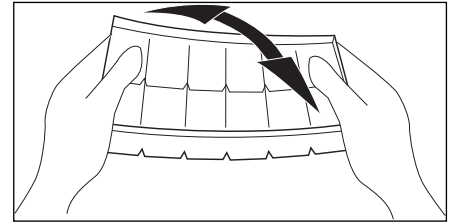




Operating Instructions

ICE CUBE TRAY

The ice cube tray is flexible. Twist tray to remove the ice cubes. If the ice cube tray is frozen solid to the evaporator surface, run a little water over the tray. Never use a knife or other metal instruments to remove the ice cube tray, as this may damage the evaporator.



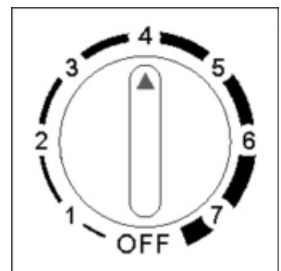
BEFORE USING

- 1 Before the refrigerator is plugged in make sure the electric voltage to be used is the same as the rated voltage. The power plug should have its own independent socket. Using an adapter may cause the socket to overheat.
- 2 **Do not** store flammable materials such as ether, benzene, LP gas and glue, etc. in the refrigerator.
- 3 **Do not** splash water on the refrigerator, it may cause a malfunction or electric shock.
- 4 The first time you turn the unit on, set the temperature control to “7,” the coolest setting. Run the refrigerator without loading any food for at least 2 hours. This ensures that the compartment has cooled down sufficiently before placing any food inside.

To avoid vibration, the unit must be on a level surface. This is accomplished by adjusting the leveling legs located under the refrigerator. The temperature of the refrigerator is controlled by setting the thermostat knob to a desired setting.

TEMPERATURE SELECTION

The temperature of the refrigerator can be adjusted by turning the thermostatic dial. The range of temperature controls is from position “OFF,” or NO COOLING to “7”, the coldest. The setting of “4” should be satisfactory for home refrigerator use.



DEFROSTING

Defrost the freezer compartment whenever the layer of frost on the surface of the evaporator reaches 3 or 4 mm. When defrosting, remove all food and set the thermostat to the “OFF” position. Put the drip tray under the evaporator to collect melted water. After the frost has melted, discard the melted water and dry up the interior of refrigerator. The refrigerator can then be restarted by turning its thermostat to the desired setting.

Note: Never use sharp or pointed instruments to remove ice from the freezer compartment. The freezer compartment contains refrigerated gas lines and if accidentally punched/pierced, will render the refrigerator inoperable and void the manufacturers warranty.

DO NOT ALLOW THE REFRIGERATOR TO CONTINUE OPERATION IF THE FREEZER COMPARTMENT IS PIERCED.

After defrosting is complete, set the control to maximum for 2 to 3 hours before returning to the desired position. When the refrigerator is not to be used for a long period of time, disconnect the appliance from the electrical supply and leave the door partially open. This will help to reduce mold and mildew build-up.

Note: Wait 3 to 5 minutes before attempting to restart the refrigerator if operation has been interrupted.



Operating Instructions

FOOD STORAGE SUGGESTIONS

Fresh Food Compartment

- Never cover food compartment shelves with aluminum foil or any other shelf covering material which may prevent air circulation.
- Always remove porous store wrapping paper from meats, poultry and fish. Meats should be wrapped individually and placed in a dish for storage. Wrap fish and poultry in foil or heavy waxed paper. Most fish should be used the same day of purchase. Packaged meats such as ham, bacon, dried beef, or frankfurter, store best in their original packages.
- Allow warm foods to cool to room temperature before placing them in the refrigerator.
- Always cover open dishes of food, especially leftovers. Use leftovers within 2 or 3 days.



Care and Maintenance

CLEANING

- Turn the temperature control to "0", unplug the unit, and remove the food and shelves.
- Wash the inside with a warm water and baking soda solution. The solution should be about 2 tablespoons of baking soda to a quart of water.
- Wash the shelves with a mild detergent solution.
- The outside of the unit should be cleaned with mild detergent and warm water.
- **CAUTION:** Failure to unplug the refrigerator-freezer could result in electrical shock or personal injury.

POWER FAILURE

Most power failures are corrected within an hour or two and will not affect your refrigerator temperatures. However, you should minimize the number of door openings while the power is off. During power failures of longer duration, take steps to protect your food.

IF YOU MOVE

Remove or securely fasten down all loose items inside the unit. To avoid damaging the leveling legs, turn them all the way into the base.

VACATION TIME

For short vacation periods, leave the control knob at its normal setting. During longer absences:

- remove all foods.
- disconnect power cord from electrical outlet.
- clean the refrigerator thoroughly, including drip tray (defrost pan).
- leave door open to avoid possible formations of condensate, mold or odors.

Some Important Rules for the Correct Use of the Refrigerator

- Never place hot foods in the refrigerator.
- Never place spoiled foods in the unit.
- Don't overload the unit.
- Don't open the door unless necessary.
- Should the refrigerator be stored without use for long periods, it is suggested, after a careful cleaning, to leave the door ajar to allow the air to circulate inside the unit in order to avoid the possibility of condensation, mold or odors.



Troubleshooting

Occasionally, a problem is minor and a service call may not be necessary - use this troubleshooting guide for a possible solution. If the unit continues to operate improperly, call an authorized service depot or **Danby's Toll Free Number 1-800-263-2629** for assistance.

NORMAL OPERATION

- 1 **A flowing water sound:** A Flowing water sound will be heard under normal operation.
- 2 **Outside condensation:** Outside condensation is normal in very humid conditions. You may wipe the unit yourself.
- 3 It takes some time for the temperature of the freezer and refrigerator compartments to become cold after the refrigerator starts operating. If the temperature of the two compartments is high while the refrigerator is operating, it takes some time for the temperature of the two compartments to become cold. If the environmental temperature is high, it takes a long time to make the compartments cold.
- 4 **The surface of the compressor becomes hot:** The surface of the compressor may become hot under normal operation. **Do not** touch it with your hands.

PROBLEM	POSSIBLE CAUSE	SOLUTION
1) Does not work.	<ul style="list-style-type: none"> • No power to unit. • Power cord is unplugged. • Wrong voltage is being used. 	<ul style="list-style-type: none"> • Check connection of power cord to power source. • Plug in unit. • Use proper voltage.
2) Refrigerator runs continuously.	<ul style="list-style-type: none"> • Temperature control is set too high. • Door is not closed. • Hot food inserted. • Door opened too long or too often. • Close proximity to heat source or direct sunlight. 	<ul style="list-style-type: none"> • Set temperature control lower. • Close door securely. • Be sure food is at room temperature before inserting. • Minimize door openings/duration. • Do not place unit close to heat sources or direct sunlight.
3) Internal temperature not cold enough.	<ul style="list-style-type: none"> • No power to unit. • Power cord is unplugged. • Temperature control set too low. • Door is not closed. • Hot food inserted. • Door opened too long or too often. • Air flow obstruction. • Wrong voltage is being used. • Close proximity to heat source or direct sunlight. 	<ul style="list-style-type: none"> • Check connection of power cord to power source. • Plug in unit. • Check setting and increase as needed. • Close door securely. • Be sure that food is at room temperature. • Minimize door openings / duration. • Allow room for air to circulate around unit. • Use proper voltage. • Do not place unit close to heat sources or direct sunlight.

LIMITED IN-HOME APPLIANCE WARRANTY

This quality product is warranted to be free from manufacturer's defects in material and workmanship, provided that the unit is used under the normal operating conditions intended by the manufacturer.

This warranty is available only to the person to whom the unit was originally sold by Danby Products Limited (Canada) or Danby Products Inc. (U.S.A.) (hereafter "Danby") or by an authorized distributor of Danby, and is non-transferable.

TERMS OF WARRANTY

Plastic parts, are warranted for thirty (30) days only from purchase date, with no extensions provided.

First 18 months During the first eighteen (18) months, any functional parts of this product found to be defective, will be repaired or replaced, at warrantor's option, at no charge to the ORIGINAL purchaser.

To obtain service Danby reserves the right to limit the boundaries of "In Home Service" to the proximity of an Authorized Service Depot. Any appliance requiring service outside the limited boundaries of "In Home Service", it will be the consumer's responsibility to transport the appliance (at their own expense) to the original retailer (point of purchase) or a service depot for repair. See "Boundaries of In Home Service" below. Contact your dealer from whom your unit was purchased, or contact your nearest authorized Danby service depot, where service must be performed by a qualified service technician. If service is performed on the unit by anyone other than an authorized service depot, or the unit is used for commercial application, all obligations of Danby under this warranty shall be void.

Boundaries of In Home Service If the appliance is installed in a location that is 100 kilometers (62 miles) or more from the nearest service center your unit must be delivered to the nearest authorized Danby Service Depot, as service must only be performed by a technician qualified and certified for warranty service by Danby. Transportation charges to and from the service location are not protected by this warranty and are the responsibility of the purchaser.

Nothing within this warranty shall imply that Danby will be responsible or liable for any spoilage or damage to food or other contents of this appliance, whether due to any defect of the appliance, or its use, whether proper or improper.

EXCLUSIONS

Save as herein provided, by Danby, there are no other warranties, conditions, representations or guarantees, express or implied, made or intended by Danby or its authorized distributors and all other warranties, conditions, representations or guarantees, including any warranties, conditions, representations or guarantees under any Sale of Goods Act or like legislation or statute is hereby expressly excluded. Save as herein provided, Danby shall not be responsible for any damages to persons or property, including the unit itself, howsoever caused or any consequential damages arising from the malfunction of the unit and by the purchase of the unit, the purchaser does hereby agree to indemnify and hold harmless Danby from any claim for damages to persons or property caused by the unit.

GENERAL PROVISIONS

No warranty or insurance herein contained or set out shall apply when damage or repair is caused by any of the following:

- 1) Power failure.
- 2) Damage in transit or when moving the appliance.
- 3) Improper power supply such as low voltage, defective house wiring or inadequate fuses.
- 4) Accident, alteration, abuse or misuse of the appliance such as inadequate air circulation in the room or abnormal operating conditions (extremely high or low room temperature).
- 5) Use for commercial or industrial purposes (ie. If the appliance is not installed in a domestic residence).
- 6) Fire, water damage, theft, war, riot, hostility, acts of God such as hurricanes, floods etc.
- 7) Service calls resulting in customer education.
- 8) Improper Installation (ie. Building-in of a free standing appliance or using an appliance outdoors that is not approved for outdoor application).

Proof of purchase date will be required for warranty claims; so, please retain bills of sale. In the event warranty service is required, present this document to our AUTHORIZED SERVICE DEPOT.

Warranty Service
In-home

Danby Products Limited
PO Box 1778, Guelph, Ontario, Canada N1H 6Z9
Telephone: (519) 837-0920 FAX: (519) 837-0449

1-800-263-2629
07/13

Danby Products Inc.
PO Box 669, Findlay, Ohio, U.S.A. 45840
Telephone: (419) 425-8627 FAX: (419) 425-8629

Bienvenue

Bienvenue dans la famille Danby. Nous sommes fiers de la qualité de nos produits et nous croyons fermement au service par une assistance fiable. Vous le découvrirez à la lecture de ce guide facile d'utilisation et vous en aurez la confirmation par notre service d'assistance à la clientèle. Mais ce qui est encore mieux, vous pourrez bénéficier de ces avantages à chaque utilisation de votre appareil. Ceci est important parce que votre nouvel appareil fera partie de votre famille pour longtemps.

Veillez noter les informations ci-dessous; ces renseignements seront nécessaires si votre appareil a besoin d'entretien ou pour les demandes de renseignements généraux. Pour bénéficier d'une opération de maintenance ou de dépannage, le reçu original sera exigé.

Numéro de modèle: _____

Numéro de série: _____

Date d'achat: _____

BESOIN D'ASSISTANCE ?

Veillez trouver quelques conseils avant de faire appel à nos services, cela nous aidera à mieux vous servir :

Lisez ce guide :

Il comprend des instructions pour l'utilisation et l'entretien adapté de votre appareil.

Si votre nouvel appareil est endommagé :

Contactez immédiatement le revendeur (ou le fabricant).

Gagnez du temps et de l'argent :

Avant de faire appel à nos services, consultez à nouveau la section « Dépannage ». Cette section vous aidera à résoudre des problèmes courants.

Si une réparation est nécessaire, ne vous inquiétez pas, la solution est au bout du fil.



1-800-26- **Danby**
(1-800-263-2629)



Consignes de sécurité

LISEZ ET RESPECTEZ TOUTES LES CONSIGNES RELATIVES À LA SÉCURITÉ

POUR VOTRE SÉCURITÉ : Veuillez lire ces consignes attentivement avant de faire fonctionner l'appareil.

Veuillez vous assurer que les pièces de rechange sont remplacées par des pièces similaires, et que l'entretien soit effectué par un technicien agréé par l'usine, afin de réduire le risque d'incendie à cause de mauvaises pièces ou d'entretien mal fait.

CONDITIONS ÉLECTRIQUES

Cet appareil doit être mis à la terre. En cas de court-circuit, la mise à la terre réduit les risques de décharge électrique en fournissant un échappatoire au courant électrique.

L'appareil est muni d'un cordon électrique comprenant un fil de mise à la terre et une fiche de terre. Branchez la fiche dans une prise de courant correctement installée et mise à la terre.

AVERTISSEMENT

Une fiche de mise à la terre mal branchée peut entraîner un risque d'incendie, de choc électrique ou de blessures aux personnes qui utilisent l'appareil. Si vous n'êtes pas certain que l'appareil est correctement mis à la terre, consultez un préposé du service qualifié.

N'UTILISER JAMAIS DE FIL DE RALLONGE

Branchez le réfrigérateur à son propre circuit de 115V. N'utilisez pas de rallonge électrique pour brancher votre réfrigérateur. Ne branchez pas le réfrigérateur à une prise femelle multiple qui sera également utilisée pour d'autres appareils électriques. N'épissez pas le cordon électrique.

AVERTISSEMENT IMPORTANT!

Un réfrigérateur vide peut représenter un attrait dangereux aux enfants. Retirer le joint d'étanchéité, les loquets, les couvercles ou portes des appareils ménagers inutilisés, ou prenez d'autres mesures qui assureront que l'appareil ne posera aucun danger.

DANGER: Risque de piéger un enfant. Avant de mettre votre vieux congélateur ou réfrigérateur au rebut:

- Enlever les portes.
- Laisser les tablettes en place afin que les enfants ne puissent pas facilement y entrer.

N'ATTENDEZ PAS! FAITES-LE IMMÉDIATEMENT!

AVERTISSEMENT! DANGER D'EXPLOSION!

Risque d'incendie ou d'explosion causé par la perforation de tuyaux frigorigènes. Ne jamais utiliser un objet pointu pour assister au dégel. Manipuler avec soin. Garder les matériaux et vapeurs inflammables comme de l'essence loin du réfrigérateur. Utiliser un nettoyant ininflammable.

La mise au rebut de cet item doit être faite selon les lois locales et fédérales.

CONSERVEZ CES INSTRUCTIONS!



Consignes de sécurité

LISEZ ET RESPECTEZ TOUTES LES CONSIGNES RELATIVES À LA SÉCURITÉ

POUR VOTRE SÉCURITÉ : Veuillez lire ces consignes attentivement avant de faire fonctionner l'appareil.

Veuillez vous assurer que les pièces de rechange sont remplacées par des pièces similaires, et que l'entretien soit effectué par un technicien agréé par l'usine, afin de réduire le risque d'incendie à cause de mauvaises pièces ou d'entretien mal fait.

PRÉCAUTIONS

- Le fait de conserver trop d'aliments ou d'ouvrir la porte fréquemment peut faire en sorte que votre réfrigérateur consommera plus d'électricité, ce qui peut entraîner son mauvais fonctionnement.
- Ne placez aucun objet lourd, pointu ou corrosif sur le plateau supérieur.
- Toutes les fois où le réfrigérateur est débranché, attendez 5 à 10 minutes avant de le rebrancher.
- N'entrez aucune boisson embouteillée au congélateur, afin d'éviter que la bouteille se brise et qu'elle endommage le réfrigérateur.
- Au cours d'une panne de courant, ouvrez la porte seulement si c'est nécessaire.
- Lors du dégivrage, n'utilisez aucun objet pointu ou métallique pour retirer la glace présente à la surface de l'évaporateur car cela risquerait de l'endommager.
- Ne touchez ni aux aliments, ni aux contenants placés dans le compartiment congélateur avec les mains humides.

APPAREILS ÉLECTROMÉNAGERS RÉFRIGÉRANTS

- Essayez de ne pas ouvrir la porte trop souvent, surtout par temps chaud et humide. Une fois la porte ouverte, fermez-la dès que possible.
- Vérifiez de temps à autre si l'appareil est suffisamment ventilé (si l'air circule bien derrière l'appareil).
- Pour les appareils électroménagers réfrigérants, il est recommandé de régler le thermostat au réglage moyen.
- Avant d'introduire des aliments frais emballés dans le réfrigérateur, assurez-vous qu'ils sont refroidis à la température ambiante.
- Les couches de glace et de givre font augmenter la consommation d'énergie; dégivrez l'appareil dès que la couche atteint 3 à 4 mm d'épaisseur.
- Concernant le condensateur extérieur, la paroi arrière doit toujours être débarrassée de poussières ou de toute impureté.



Consignes d'installation

EMPLACEMENT

Enlevez les emballages extérieurs et intérieurs. Essuyez complètement l'extérieur avec un linge doux sec et l'intérieur avec un linge humide tiède. Il ne faut jamais situer l'appareil dans un recoin étroit, proche d'une source d'air chaud. L'air doit circuler à l'entour de l'appareil. Eloigner le réfrigérateur au moins 2 pouces du mur.

N'inclinez pas le réfrigérateur à un angle supérieur à 45° par rapport à la verticale lorsque vous le déplacez.

- 1) Choisir une place qui a un plancher à niveau.
- 2) Éloigner l'appareil de 2 pouces des murs arrière et de côté.
- 3) Éviter les rayons de soleil et la chaleur directs qui peuvent affecter la surface en acrylique. Les sources de chaleur rapprochées augmentent la consommation d'énergie.
- 4) Éviter les endroits très humides. L'humidité élevée dans l'air occasionne la formation rapide de gèle sur l'évaporateur et le réfrigérateur. Le réfrigérateur devra être dégivré fréquemment.

CONSERVEZ CES INSTRUCTIONS!



Consignes d'installation

CHANGEMENT DU SENS D'OUVERTURE DE LA PORTE

- Assurez-vous que l'appareil est débranché et vide.
- Nous recommandons que deux (2) personnes manient le réfrigérateur pendant l'assemblage.
- Ajustez les deux pattes de nivellement à leur position la plus élevée.

Outils nécessaires

Tournevis à lame cruciforme

*REMARQUE :

- Il est nécessaire d'incliner l'appareil vers l'arrière, pour enlever la porte.
- Vous devriez faire reposer l'appareil sur un objet solide, par exemple en appuyant le panneau supérieur sur une chaise.

NE PAS déposer l'appareil complètement à plat car cela risquerait d'endommager le système de refroidissement.

Si vous trouvez le sens d'ouverture de la porte peu pratique, vous pouvez le modifier. Suivez les étapes décrites dans les schémas.



ATTENTION:

Afin d'éviter de vous blesser ou de causer des dégâts matériels, nous vous recommandons de solliciter l'aide d'autrui lors des manoeuvres liées à l'inversion de la porte. Suivez les étapes décrites dans les schémas.

- 1 Enlevez les couvercles en plastique des trous qui sont situés sur le côté gauche supérieur du réfrigérateur comme illustré dans Figure 1.

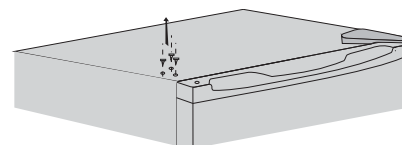


Figure 1

- 2 Retirez la charnière supérieure et le couvercle de la charnière situés sur le côté droit du réfrigérateur comme illustré dans Figure 2.

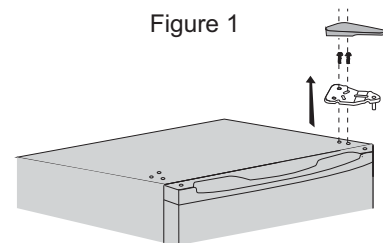


Figure 2

- 3 Enlevez la porte du réfrigérateur et inclinez celui-ci à un angle de 45 degrés. Veuillez faire reposer le réfrigérateur contre quelque chose de solide pour qu'il ne glisse pas pendant le processus du changement de porte. Ne faites pas reposer le réfrigérateur à plat, car ceci peut endommager le système de refroidissement. Sur le dessous du réfrigérateur, retirez l'étrier de la charnière inférieure située sur le côté droit et retirez la patte de nivellement située sur le côté gauche et renversez leurs emplacements comme illustrés dans Figure 3.

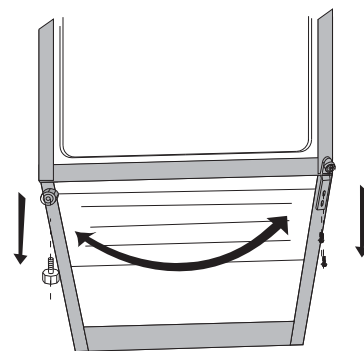


Figure 3

- 4 Installez la charnière inférieure sur le côté gauche sur le dessous du réfrigérateur. Installez la patte de nivellement sur le côté droit comme illustré dans Figure 4.

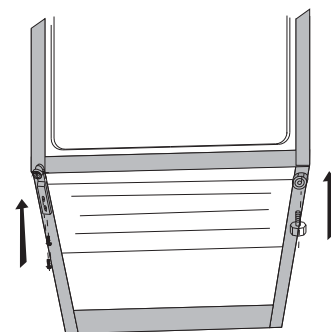


Figure 4



Consignes d'installation

CHANGEMENT DU SENS D'OUVERTURE DE LA PORTE

- 5 Déplacez le manchon mâle-femelle de la porte à la gauche (illustré à la droite dans Figure 5); et déplacez le couvercle en plastique du trou à la droite (illustré à la gauche dans Figure 5).

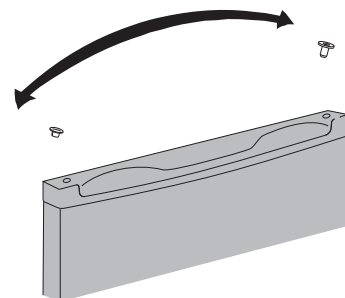


Figure 5

- 6 Déplacez l'arrêt de porte; lequel est situé sur le côté droit de la porte sur le côté gauche comme illustré dans Figure 6. Si votre appareil dote deux (2) arrêts de porte; un sur chaque côté, cette étape n'est pas nécessaire. Installez la porte sur la charnière inférieure qui est située sur le côté gauche.

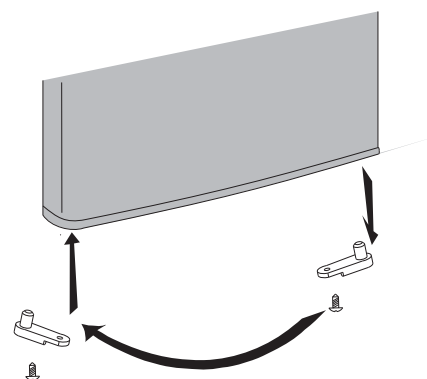


Figure 6

- 7 Installez la charnière supérieure et le couvercle de la charnière sur le côté gauche. Placez les couvercles en plastique pour les trous dans les trous situés sur le côté droit sur le dessus du réfrigérateur.

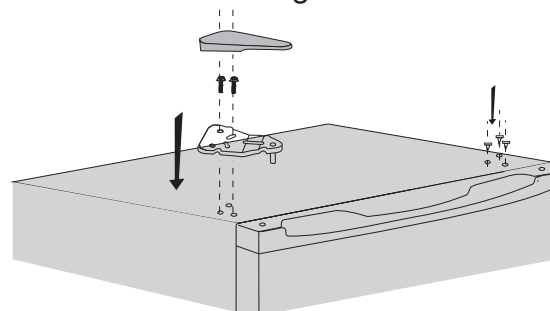
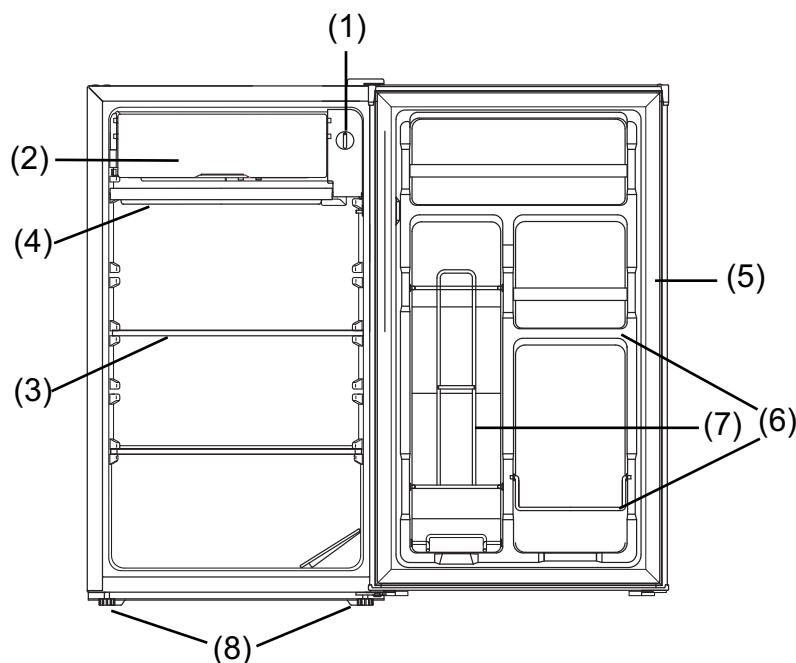


Figure 7



Caractéristiques

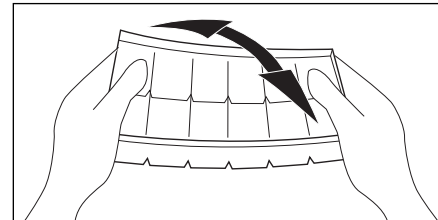
- 1 **CADRAN DU THERMOSTAT:** Régle la température intérieure du réfrigérateur; le compresseur se met en marche dès que la température dépasse le niveau désiré.
- 2 **COMPARTIMENT CONGÉLATEUR MUNI D'UNE PORTE :** la section séparée du congélateur peut contenir des articles de petite dimension.
- 3 **CLAYETTE**
- 4 **PLATEAU DE DÉGIVRAGE :** récupère l'eau qui dégoutte de l'évaporateur pendant le dégivrage.
- 5 **JOINT ÉTANCHE MAGNÉTIQUE:** Le joint étanche empêche l'air frais de s'échapper.
- 6 **PORTE-BOUTEILLES:** Pour les bouteilles, boîtes métalliques et bocaux.
- 7 **PAROI DE PORTE CANTSTOR™ :** Range les boîtes de boisson gazeuse, jus ou bière.
- 8 **PIEDS DE NIVELLEMENT :** ajustez les pieds pour que l'appareil soit mis au niveau sur la surface.



Opération

MOULE À GLAÇONS

Le moule à glaçons est flexible. Tourner-le pour enlever les glaçons. Si le moule est surgelé et colle à la surface de l'évaporateur, verser un peu d'eau tiède. Ne jamais utiliser de couteaux ou d'autres instruments en métal pour enlever le moule à glaçons car ceux-ci peuvent endommager l'évaporateur.



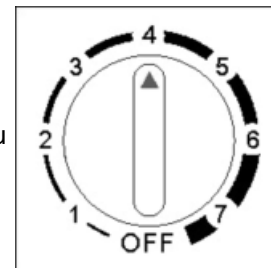
AVANT L'UTILISATION

- 1 Avant de brancher le réfrigérateur, assurez-vous que la tension électrique à utiliser correspond à la tension nominale. La fiche d'alimentation devrait comporter sa propre douille indépendante. Le fait d'utiliser un adaptateur peut occasionner la surchauffe de la douille.
- 2 **Ne pas** entreposer de matières inflammables tels que l'éther, le benzène, les gaz de pétrole liquéfiés et la colle, etc. dans le réfrigérateur.
- 3 **Ne pas** asperger le réfrigérateur d'eau, cela pourrait causer un mauvais fonctionnement ou un choc électrique.
- 4 La première fois que vous allumez l'appareil, réglez le contrôle de la température à « 7 », la température la plus froide. Laissez-le fonctionner pendant au moins 2 heures avant d'y mettre un aliment. Ainsi le compartiment sera complètement refroidi avant d'y mettre les aliments.

Pour éviter la vibration, l'appareil doit être absolument horizontal. Les deux premiers pieds de nivellement au-dessous de réfrigérateur peuvent être ajustés. La température à l'intérieur du réfrigérateur est contrôlée en réglant le cadran du thermostat à la température désirée.

CHOIX DE LA TEMPÉRATURE

Le contrôle de température va de la position « 0 » c.-à-d. PAS DE REFROIDISSEMENT à la position « 7 », la température la plus froide. La position « 4 » est celle qui convient pour l'utilisation du réfrigérateur à la maison ou au bureau.



DÉGIVRAGE

Dégivrez le compartiment congélateur dès que la couche de givre sur la surface de l'évaporateur atteint 3 à 4 mm d'épaisseur. Lors du dégivrage, retirez tous les aliments et réglez le thermostat à la position « ARRÊT » (OFF). Mettez le plateau de dégivrage sous l'évaporateur pour récupérer l'eau qui s'écoule. Une fois le dégivrage terminé, débarrassez-vous de l'eau et séchez l'intérieur du réfrigérateur. Le réfrigérateur peut ensuite être remis en marche en tournant le thermostat au réglage désiré.

Avis important: N'utiliser jamais des ustensiles tranchants ou aiguisés pour dégivrer/enlever la glace du compartiment de congélation/évaporation. Le compartiment de congélation/évaporation contient des tuyaux de gaz réfrigérés et si ils sont crevés ou percés, le réfrigérateur sera inopérable et la garantie de fabricant sera rendu nul.

SI LE COMPARTIMENT DE CONGELATION EST PERCÉ, ETEINDRE LE REFRIGERATEUR.

Après que le dégivrage est fini, tourner la commande de température au refroidissement maximum pendant 2 à 3 heures avant de la tourner au réglage du refroidissement désiré. Si on n'utilise pas le réfrigérateur pendant longtemps, débrancher l'appareil et laisser la porte partiellement ouverte pour réduire l'accumulation de moisissure.

Remarque: Si le fonctionnement a été interrompu, attendre 3 à 5 minutes avant mettre le réfrigérateur en marche.



Opération

RANGEMENTS DES ALIMENTS

Compartiments pour Aliments Frais

- Ne jamais recouvrir les clayettes du compartiment de papier d'aluminium ou autres matériaux car ceci peut empêcher la circulation d'air.
- Enlever toujours les emballages perméables du marchand qui recouvrent la viande, volaille et le poisson. Les viandes doivent être emballées individuellement, et déposées dans un récipient pour le rangement. Emballer la volaille ou le poisson dans du papier aluminium ou du papier ciré épais. Faites cuire la plupart de sorte de poissons le jour de l'achat. Les viandes emballées par le marchand, telles que le jambon, le bacon, le boeuf sec, ou les saucisses fumées se rangent très bien dans leur emballage.
- Laisser refroidir les aliments à la température de la pièce avant de les ranger dans le réfrigérateur.
- Toujours recouvrir les aliments, surtout les restants. Utiliser les restants avant 2 à 3 jours.



Soins et entretien

ENTRETIEN

- Tournez le thermostat à « 0 », débranchez l'appareil et retirez les accessoires intérieurs.
- Lavez l'intérieur au bicarbonate de soude dilué dans de l'eau chaude. La solution doit contenir 2 cuillerées à soupe de bicarbonate de soude pour un litre d'eau.
- Lavez les accessoires intérieurs avec une solution de détergent non abrasif.
- L'extérieur de l'appareil doit être nettoyé à l'aide d'un détergent doux dilué dans de l'eau chaude.
- **MISE EN GARDE** : Ne pas débrancher le réfrigérateur-congélateur pourrait vous exposer à un risque de choc électrique ou de blessure corporelle.

La plupart des pannes d'électricité sont corrigées dans un délai de quelques heures et n'ont pas d'effets sur la température du réfrigérateur. Il est nécessaire de réduire le nombre d'ouvertures de la porte pendant une panne. Pendant les pannes qui durent plus longtemps, il faut prendre des mesures afin de protéger vos aliments.

Retirez ou fixez en place tous les articles mobiles à l'intérieur de l'appareil. Pour éviter d'endommager les pieds de nivellement, tournez-les de manière à ce qu'ils soient dissimulés sous la base.

Si vous prenez des vacances de courte durée, laissez le cadran du thermostat à son réglage normal. Si l'absence doit durer longtemps,

- (a) enlevez tous les aliments.
- (b) débranchez l'appareil de la prise murale.
- (c) Nettoyez le réfrigérateur complètement, en incluant le plateau d'égouttage (bac de décongélation).
- (d) Laissez la porte ouverte pour éviter les mauvaises odeurs.

PANNE D'ÉLECTRICITÉ

LORS D'UN DÉMÉNAGEMENT

PENDANT LES VACANCES

Importantes consignes de sécurité pour l'utilisation du réfrigérateur

- Ne jamais ranger d'aliments chauds dans le réfrigérateur.
- Ne jamais surcharger l'appareil.
- Ouvrir la porte seulement si nécessaire.
- Pour un rangement prolongé de l'appareil, il est suggéré de laver l'appareil, de laisser la porte ouverte afin de fournir une circulation d'air à l'intérieur du meuble et d'éviter le développement de condensation, de moisissures et d'odeurs.

Dépannage

De temps en temps, un problème est mineur et un appel de service peut ne pas être nécessaire. Utilisez ce guide de dépannage pour trouver une solution possible. Si l'unité continue de fonctionner incorrectement, appelez un dépôt de service autorisé ou le **numéro sans frais** pour obtenir de l'assistance. **Tel: 1 -800-263-2629**

FUNCTIONNEMENT NORMAL

- 1 **Un bruit d'écoulement** : il est normal d'entendre de l'eau couler au cours du fonctionnement normal du réfrigérateur.
- 2 **Condensation extérieure** : il est normal d'observer de la condensation à l'extérieur de l'appareil par temps chaud et humide. Vous pouvez essayer la surface de l'appareil sans problème.
- 3 Un certain temps est nécessaire pour que la température du réfrigérateur et celle du compartiment congélateur s'abaissent après avoir mis le réfrigérateur en marche. Si la température des deux compartiments est élevée alors que le réfrigérateur fonctionne, il faudra un certain temps pour qu'elle s'abaisse. Si la température de l'endroit est élevée, il faudra longtemps pour que la température des compartiments s'abaisse.
- 4 **La surface du compresseur devient chaude** : la surface du compresseur peut devenir chaude dans des conditions de fonctionnement normal. **Ne touchez pas** avec les mains.

PROBLEME	CAUSE PROBABLE	SOLUTION
1) Ne fonctionne pas.	<ul style="list-style-type: none"> • Pas de tension à l'unité. • Le cordon d'alimentation est débranché. • Le mauvais voltage est utilisé. 	<ul style="list-style-type: none"> • Vérifiez la connexion du cordon d'alimentation. • Branchez l'appareil. • Utilisez le voltage approprié.
2) Le congélateur fonctionne sans arrêt.	<ul style="list-style-type: none"> • La température est réglée trop bas. • La porte n'est pas fermée. • De la nourriture chaude a été insérée. • La porte est ouverte trop souvent/ longtemps. • Proximité d'une source de chaleur ou source de soleil. 	<ul style="list-style-type: none"> • Vérifiez le réglage et augmentez-le au besoin. • Fermez la porte. • Assurez-vous que la nourriture est frais avant de la placer dans l'appareil. • Minimisez l'ouverture de la porte. • Ne placez pas l'appareil près d'une source de chaleur et évitez une exposition directe aux rayons du soleil.
3) La température interne n'est pas assez froide.	<ul style="list-style-type: none"> • Pas de tension à l'unité. • Le cordon d'alimentation est débranché. • Le contrôle de la température est réglé trop haut. • La porte n'est pas fermée. • La nourriture est chaude. • La porte est ouverte trop souvent/ longtemps. • Obstruction de la circulation de l'air. • Le mauvais voltage est utilisé. • Proximité d'une source de chaleur ou exposition directe aux rayons du soleil. 	<ul style="list-style-type: none"> • Vérifiez la connexion du cordon d'alimentation. • Branchez l'appareil. • Vérifiez le réglage et baissez-le au besoin. • Fermez la porte. • Assurez-vous que la nourriture est frais avant de la placer dans l'appareil. • Minimisez l'ouverture de la porte. • Laissez l'air circuler dans la pièce autour de l'appareil. • Utilisez le voltage approprié. • Ne placez pas l'appareil près d'une source de chaleur et évitez une exposition directe aux rayons du soleil.

GARANTIE LIMITÉE SUR APPAREIL ÉLECTROMÉNAGER À DOMICILE

Cet appareil de qualité est garanti exempt de tout vice de matière première et de fabrication, s'il est utilisé dans les conditions normales recommandées par le fabricant.

Cette garantie n'est offerte qu'à l'acheteur initial de l'appareil vendu par Danby Products Limited (Canada) ou Danby Products Inc. (E.- U.A.) (ci-après « Danby ») ou par l'un des ses distributeurs agréés et elle ne peut être transférée.

CONDITIONS

Les pièces en plastique sont garanties pendant trente (30) jours seulement à partir de la date de l'achat, sans aucune prolongation prévue.

Premiers 18 mois Pendant les premiers dix-huit (18) mois, toutes les pièces fonctionnelles de ce produit qui s'avèrent défectueuses seront réparées ou remplacées, selon le choix du garant, sans frais à l'acheteur INITIAL.

Pour bénéficier du service Le client sera responsable pour le transport et tous les frais d'expédition de tout appareil exigeant le service au dépôt de service autorisé le plus proche. S'adresser au détaillant qui a vendu l'appareil, ou à la station technique agréée de service la plus proche, où les réparations doivent être effectuées par un technicien qualifié. Si les réparations sont effectuées par quiconque autre que la station de service agréée où à des fins commerciales, toutes les obligations de Danby en vertu de cette garantie seront annulées.

Limites de l'entretien à domicile Si l'appareil est installé à plus de 100 kilomètres (62 milles) du centre de service le plus proche, il doit être livré à l'atelier de réparation autorisé par Danby le plus proche, car l'entretien doit uniquement être réalisé par un technicien qualifié et certifié pour effectuer un entretien couvert par la garantie de Danby. Les frais de transport entre votre domicile et le lieu de l'entretien ne sont pas couverts par la présente garantie et doivent être acquittés par l'acheteur.

Aucune partie de la garantie ne prévoit implicitement que le fabricant sera tenu responsable des dommages subis par les aliments ou d'autres types de contenu, qu'ils soient causés par la défectuosité de l'appareil ou par son usage adéquat ou inadéquat.

EXCLUSIONS

En vertu de la présente, il n'existe aucune autre garantie, condition ou représentation, qu'elle soit exprimée ou tacite, de façon manifeste ou intentionnelle, par Danby ou ses distributeurs agréés. De même, sont exclues toutes les autres garanties, conditions ou représentations, y compris les garanties, conditions ou représentations en vertu de toute loi régissant la vente de produits ou de toute autre législation ou règlement semblables. En vertu de la présente, Danby ne peut être tenue responsable en cas de blessures corporelles ou des dégâts matériels, y compris à l'appareil, quelle qu'en soit les causes. Danby ne peut pas être tenue responsable des dommages indirects dus au fonctionnement défectueux de l'appareil. En achetant l'appareil, l'acheteur accepte de mettre à couvert et de dégager Danby de toute responsabilité en cas de réclamation pour toute blessure corporelle ou tout dégât matériel causé par cet appareil.

CONDITIONS GÉNÉRALES

La garantie ou assurance ci-dessus ne s'applique pas si les dégâts ou réparations sont dus aux cas suivants :

- 1) Panne de courant.
- 2) Dommages subis pendant le transport ou le déplacement de l'appareil.
- 3) Alimentation électrique incorrecte (tension faible, câblage défectueux, fusibles incorrects).
- 4) Accident, modification, emploi abusif ou incorrect de l'appareil tel qu'une circulation d'air inadéquate dans la pièce ou des conditions de fonctionnement anormales (température extrêmement élevée ou basse).
- 5) Utilisation dans un but commercial ou industriel (à savoir, si l'appareil n'est pas installé dans un domicile résidentiel).
- 6) Incendie, dommages causés par l'eau, vol, guerre, émeute, hostilités, cas de force majeure (ouragan, inondation, etc.).
- 7) Visites d'un technicien pour expliquer le fonctionnement de l'appareil au propriétaire.
- 8) Installation inappropriée (par exemple, encastrement d'un appareil autoportant, ou utilisation extérieure d'un appareil non conçu à cet effet). Une preuve d'achat doit être présentée pour toute demande de réparation sous garantie. Prière de garder le reçu. Pour faire honorer la garantie, présenter ce document à la station technique agréée ou s'adresser à :

Service sous garantie
Service au domicile

Danby Products Limited
PO Box 1778, Guelph, Ontario, Canada N1H 6Z9
Téléphone : (519) 837-0920 Télécopieur: (519) 837-0449

1-800-263-2629
03/14

Danby Products Inc.
PO Box 669, Findlay, Ohio, U.S.A. 45840
Téléphone: (419) 425-8627 Télécopieur: (419) 425-8629



ALL REFRIGERATOR TOUT RÉFRIGÉRATEUR

MODEL • MODÈLE
DCR032C1BSLDD

COMPACT REFRIGERATOR

All repair parts are available for purchase or special order when you visit your nearest service depot. To request service and/or the location of the service depot nearest you, call the TOLL FREE number.

When requesting service or ordering parts, always provide the following information:

- Product Type
- Model Number
- Part Number
- Part Description

RÉFRIGÉRATEUR COMPACT

Toutes les pièces de rechange ou commandes spéciales sont disponibles à votre centre de service régional autorisé. Pour obtenir le service et/ou la localité de votre centre de service régional, signalez le NUMÉRO D'APPEL SANS FRAIS.

Ayez les renseignements suivants à la portée de la main lors de la commande de pièce ou service:

- Type de produit
- Numéro de modèle
- Numéro de pièce
- Description de la pièce

