



# Dryers

**Safety Instructions** ..... 2-4

**Operating Instructions**

Controls .....5-7  
Cycle Options .....8, 9  
Using the Dryer .....10  
Cleaning the Dryer .....10, 11

**Installation Instructions**

Before You Begin .....12, 13  
Connecting Drain Hose .....17  
Connecting  
Electric Dryer .....15, 16  
Final Setup .....18  
Location of your Dryer .....12, 13  
Reversing the Door Swing .....19-21  
Stacking the Washer  
and Dryer .....22-24

**Troubleshooting Tips** .....26-28

**Consumer Support**

Consumer Support .....30  
Warranty (U.S.) .....29

**Owner's Manual &  
Installation Instructions**

DCCH480EK  
DCCH485EK

AI Madison  
Appliance Authority™  
800-570-3355

## SAVE THESE INSTRUCTIONS

Write the model and serial numbers here:

Model # \_\_\_\_\_

Serial # \_\_\_\_\_

They are on the label on the front of the dryer behind the door.

# IMPORTANT SAFETY INFORMATION. READ ALL INSTRUCTIONS BEFORE USING.

## **⚠ WARNING!**

*For your safety, the information in this manual must be followed to minimize the risk of fire or explosion, electric shock, or to prevent property damage, personal injury, or death.*

- *Do not store or use gasoline or other flammable vapors and liquids in the vicinity of this or any other appliance.*
- *Installation and service must be performed by a qualified installer or service agency.*



## PROPER INSTALLATION

*This dryer must be properly installed and located in accordance with the Installation Instructions before it is used. Installation Instructions are included in the back of this manual.*

- Properly ground dryer to conform with all governing codes and ordinances. Follow details in Installation Instructions.
- Install or store where it will not be exposed to temperatures below freezing or exposed to water or weather, which could cause permanent damage and invalidate the warranty.
- Connect to a properly rated, protected and sized power supply circuit to avoid electrical overload.
- Remove all sharp packing items and dispose of all shipping materials properly.

**Madison**  
Your Appliance Authority™  
800-570-3355

## ⚠ WARNING!



### YOUR LAUNDRY AREA

- Keep the area underneath and around your appliances free of combustible materials, (lint, paper, rags, etc.), gasoline, chemicals and other flammable vapors and liquids.
- Keep the floor around your appliances clean and dry to reduce the possibility of slipping.
- Close supervision is necessary if this appliance is used by or near children. Do not allow children to play on, with or inside this or any other appliance.
- Keep all laundry aids (such as detergents, bleaches, etc.) out of the reach of children, preferably in a locked cabinet. Observe all warnings on container labels to avoid injury.
- Never climb on or stand on the dryer top.



### WHEN USING YOUR DRYER

- Never reach into the dryer while the drum is moving. Before loading, unloading or adding clothes, wait until the drum has completely stopped.
- Clean the lint filter before each load to prevent lint accumulation inside the dryer or in the room. **DO NOT OPERATE THE DRYER WITHOUT THE LINT FILTER AND CONDENSER IN PLACE.**
- Do not wash or dry articles that have been cleaned in, washed in, soaked in or spotted with combustible or explosive substances (such as wax, oil, paint, gasoline, degreasers, dry-cleaning solvents, kerosene, etc.). These substances give off vapors that may ignite or explode. Do not add these substances to the wash water. Do not use or place these substances around your washer or dryer during operation.
- Do not place items exposed to cooking oils in your dryer. Items contaminated with cooking oils may contribute to a chemical reaction that could cause a clothes load to catch fire.
- Any article on which you have used a cleaning solvent or that contains flammable materials (such as cleaning cloths, mops, towels used in beauty salons, restaurants or barber shops, etc.) must not be placed in or near the dryer until solvents or flammable materials have been removed. There are many highly flammable items used in homes such as acetone, denatured alcohol, gasoline, kerosene, some household cleaners, some spot removers, turpentine, waxes, wax removers and products containing petroleum distillates.
- The laundry process can reduce the flame retardancy of fabrics. To avoid such a result, carefully follow the garment manufacturer's care instructions.
- Do not dry articles containing rubber, plastic or similar materials such as padded bras, tennis shoes, galoshes, bath mats, rugs, bibs, baby pants, plastic bags or pillows that may melt or burn. Some rubber materials, when heated, can under certain circumstances produce fire by spontaneous combustion.
- Do not store plastic, paper or clothing that may burn or melt on top of the dryer during operation.
- Garments labeled *Dry Away from Heat* or *Do Not Tumble Dry* (such as life jackets containing Kapok) must not be put in your dryer.
- Do not dry fiberglass articles in your dryer. Skin irritation could result from the remaining particles that may be picked up by clothing during subsequent dryer uses.
- To minimize the possibility of electric shock, unplug this appliance from the power supply or disconnect the dryer at the household distribution panel by removing the fuse or switching off the circuit breaker before attempting any maintenance or cleaning (except the removal and cleaning of the lint filter). **NOTE:** Pressing **START/PAUSE** or **POWER** does **NOT** disconnect the appliance from the power supply.
- Empty the water tank after drying cycle is complete.  
(**NOTE:** if drain hose is installed, emptying the water tank is not required)
- **Never run the dryer without the condenser installed.**

# IMPORTANT SAFETY INFORMATION. READ ALL INSTRUCTIONS BEFORE USING.

## ▲ WARNING!



### WHEN USING YOUR DRYER (cont.)

- Never attempt to operate this appliance if it is damaged, malfunctioning, partially disassembled, or has missing or broken parts, including a damaged cord or plug.
- Clean the condenser once per month using only water. If you fail to clean the condenser, your drying performance may degrade.
- You may wish to soften your laundered fabrics or reduce the static electricity in them by using a dryer-applied fabric softener or an antistatic conditioner. We recommend you use either a fabric softener in the wash cycle, according to the manufacturer's instructions for those products, or try a dryer-added product for which the manufacturer gives written assurance on the package that their product can be safely used in your dryer. Service or performance problems caused by use of these products are the responsibility of the manufacturers of those products and are not covered under the warranty of this appliance.



### WHEN NOT USING YOUR DRYER

- Grasp the plug firmly when disconnecting this appliance to avoid damage to the cord while pulling. Place the cord away from traffic areas so it will not be stepped on, tripped over or subjected to damage.
- Before discarding a dryer, or removing it from service, remove the dryer door to prevent children from hiding inside.
- Do not tamper with controls.
- Do not attempt to repair or replace any part of this appliance or attempt any servicing unless specifically recommended in this Owner's Manual or in published user-repair instructions that you understand and have the skills to carry out.



READ AND FOLLOW THIS SAFETY INFORMATION CAREFULLY.

**SAVE THESE INSTRUCTIONS**

# About the dryer control panel.

**⚠ WARNING!** To reduce the risk of fire, electric shock, or injury to persons, read the **IMPORTANT SAFETY INSTRUCTIONS** before operating this appliance.

Throughout this manual, features and appearance may vary from your model.

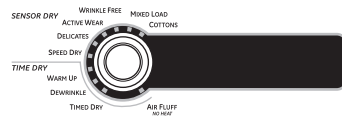
## Quick Start

If the screen is dark, press the **POWER** button to “wake up” the display.

- 1 Press the **POWER** button.



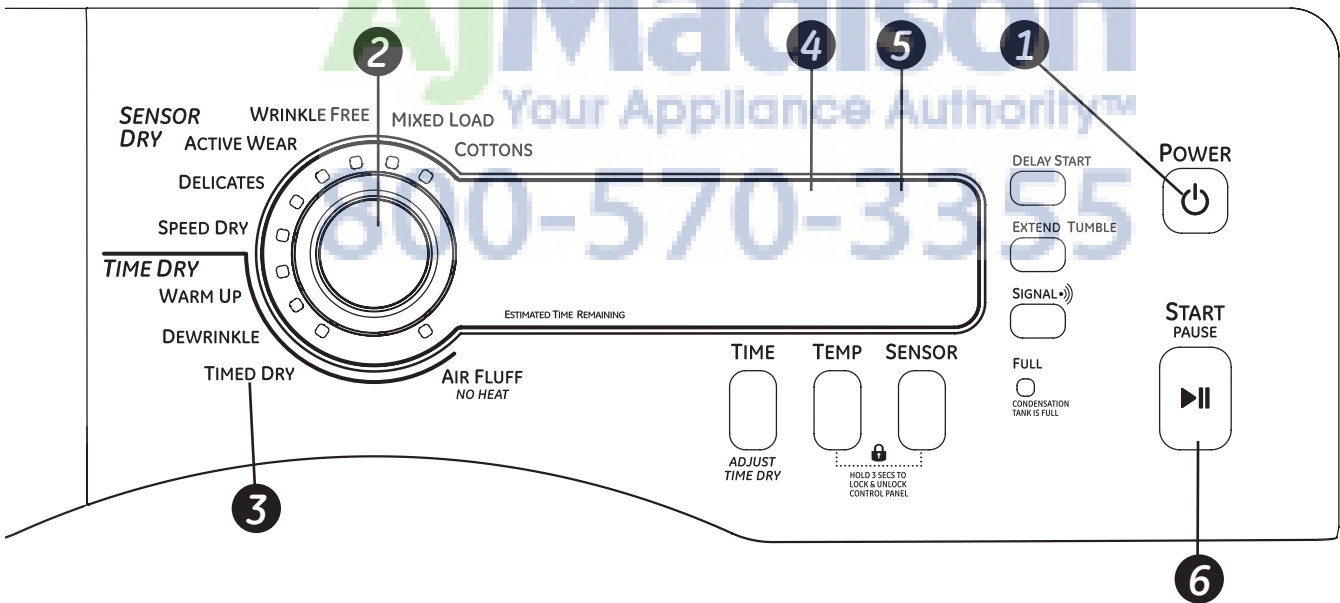
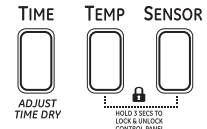
- 2 Select a cycle by turning the **Cycle Knob**.



- 3 If you selected a **SENSOR DRY** cycle—just press the **START/PAUSE** button.



If you selected a **TIME DRY** cycle—select your heat setting and the amount of time you want your items to dry by pressing the **TIME** button until the desired time appears in the display. Then press the **START/PAUSE** button.



- 1 Power**  
Press to “wake up” the display. If the display is active, press to turn the dryer off.

**NOTE:** Pressing **POWER** does not disconnect the appliance from the power supply.

## About the dryer control panel.

### 2 Dry Cycles

The dry cycle controls the cycle time for the drying process. The chart below will help you match the dry setting with the loads.

#### Sensor Cycles

<b>COTTONS</b>	For cottons and most linens.
<b>MIXED LOAD</b>	For loads consisting of cottons and poly blends.
<b>WRINKLE FREE</b>	For wrinkle-free/easy care and permanent press items.
<b>ACTIVE WEAR</b>	Clothing worn for active sports exercise and some casual wear. Fabrics include new technology finishes and stretch fibers such as spandex.
<b>DELICATES</b>	For lingerie and special-care fabrics.
<b>SPEED DRY</b>	For small loads that are needed in a hurry, such as sports or school uniforms. Can also be used if the previous cycle left some items damp, such as collars or waistbands.

#### Time Dry Cycles

<b>WARM UP</b>	Provides 10 minutes of warming time to warm up clothes.
<b>DEWRINKLE</b>	For removing wrinkles from items that are dry or slightly damp. This cycle is not recommended for delicate fabrics.
<b>AIR FLUFF</b>	Use this feature to tumble items without heat.

### 3 Timed Dry

Use to set your own dry time. **TIMED DRY** is also recommended for small loads.

#### To use **TIMED DRY**:

1. Turn dry cycle dial to **TIMED DRY**.
2. Select the drying time by pressing the **TIME** button. You can increase the time in 10-minute increments up to 1 hour and 20 minutes.
3. Select the **DRY TEMP**.
4. Close the door.
5. Press **START/PAUSE**.

### 4 Sensor Dry Level

The sensor continuously monitors the amount of moisture in the load. When the moisture in your clothes reaches your selected dry level, the dryer will stop.

<b>EXTRA DRY</b>	Use for heavy-duty fabrics or items that should be very dry, such as towels.
<b>MORE DRY</b>	Use for heavy or mixed type of fabrics.
<b>DRY</b>	Use for normal dryness level suitable for most loads. This is the preferred cycle for energy saving.
<b>LESS DRY</b>	Use for lighter fabric (ideal for ironing).
<b>DAMP</b>	For leaving items partially damp.

**NOTE:** The Sensor Dry Levels can only be selected in a Sensor Dry Cycle.

**5 Dry Temp**

You can change the temperature of your dry cycle.

---

**ANTI-BACTERIAL** This option may only be used with **COTTONS** or **MIXED LOAD** cycles. This option reduces certain types of bacteria. The anti-bacterial process occurs when high heat is used during a portion of this drying cycle.

**NOTE: Do not use this cycle on delicate fabrics.**

---

**HIGH** For regular to heavy cottons.

---

**MEDIUM** For synthetics, blends and items labeled permanent press.

---

**LOW** For delicates, synthetics and items labeled *Tumble Dry Low*.

---

**EXTRA LOW** For lingerie and special-care fabrics.

---

**6 START/PAUSE**

Press to start a dry cycle. If the dryer is running, press it once and it will pause the dryer. Press it again to restart the dry cycle.

**"CLEAN LINT FILTER" (message)**

This message stays on until the **START** button is pressed. **This message is only a reminder.**



## About cycle options.

**NOTE:** Not all features are available on all dryer models.

### EXTEND TUMBLE



#### Extend Tumble

Minimizes wrinkles by adding approximately 20 minutes of constant no-heat tumbling followed by 70 minutes of intermittent no-heat tumbling after clothes are dry. The dryer is in **EXTENDED TUMBLE** when the **ESTIMATED CYCLE TIME** display is illuminated in a circular pattern.

The light in the button will light up when **EXTEND TUMBLE** is on.

**NOTE:** It is normal for the drum to pause for short periods of time during **EXTEND TUMBLE**.

### DELAY START



#### Delay Start

Use to delay the start of your dryer.

1. Choose your dry cycle and any options.
2. Press the **DELAY START** button. You can change the delay time in 1-hour increments (up to 18 hours) each time you press the **DELAY START** button. Stop pressing the button when your desired time is displayed.
3. Press the **START/PAUSE** button to start the countdown.

The countdown time will be shown in the **ESTIMATED TIME REMAINING** display.

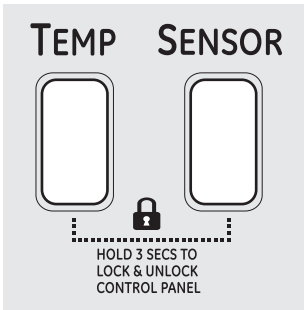
#### NOTES:

■ If the door is opened while the dryer is in **DELAY**, the countdown time will continue to count down the delay time. If the door is not closed and the countdown time expires, the cycle will not start until the door is closed and the **START/PAUSE** button is pressed.

■ You can delay the start of a dryer cycle up to 18 hours.

The light in the button will light up when **DELAY START** is on.

**AJMadison**  
Your Appliance Authority™  
800-570-3355



### Lock

You can lock the controls to prevent any selections from being made. Or you can lock or unlock the controls after you have started a cycle.

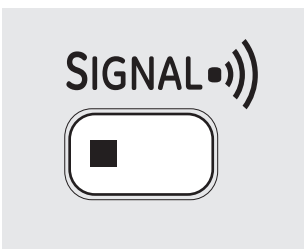
*Children cannot accidentally start the dryer by touching pads with this option selected.*

To lock the dryer, press and hold the **TEMP** and **SENSOR** buttons together for 3 seconds.

To unlock the dryer controls, press and hold the **TEMP** and **SENSOR** buttons together for 3 seconds. A sound will indicate the lock/unlock status.

The control lock icon on the display will light up when it is on.

**NOTE:** The **POWER** button can still be used when the machine is locked.



### Signal

When the light is “on,” the dryer will beep at the end of the cycle and every time you press a button on the control panel.

To turn the signal off, press the **SIGNAL** button and the light will go off.

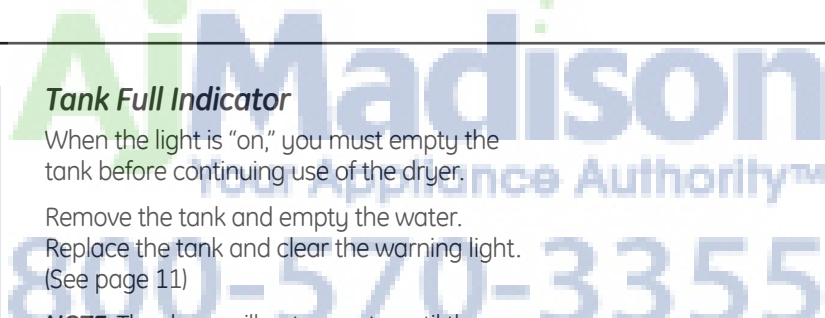


### Tank Full Indicator

When the light is “on,” you must empty the tank before continuing use of the dryer.

Remove the tank and empty the water. Replace the tank and clear the warning light. (See page 11)

**NOTE:** The dryer will not operate until the tank is emptied and the warning has been cleared.



## Using the dryer.

Always follow fabric manufacturer's care label when laundering.

### Sorting and Loading Hints

As a general rule, if clothes are sorted properly for the washer, they are sorted properly for the dryer. Try also to sort items according to size. For example, do not dry a sheet with socks or other small items.

Do not add fabric softener sheets once the load has become warm. They may cause fabric softener stains. Bounce® Fabric Conditioner Dryer Sheets have

been approved for use in this dryer when used in accordance with the manufacturer's instructions.

See below for lint filter cleaning instructions.

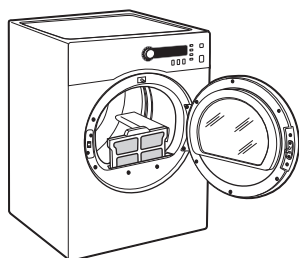
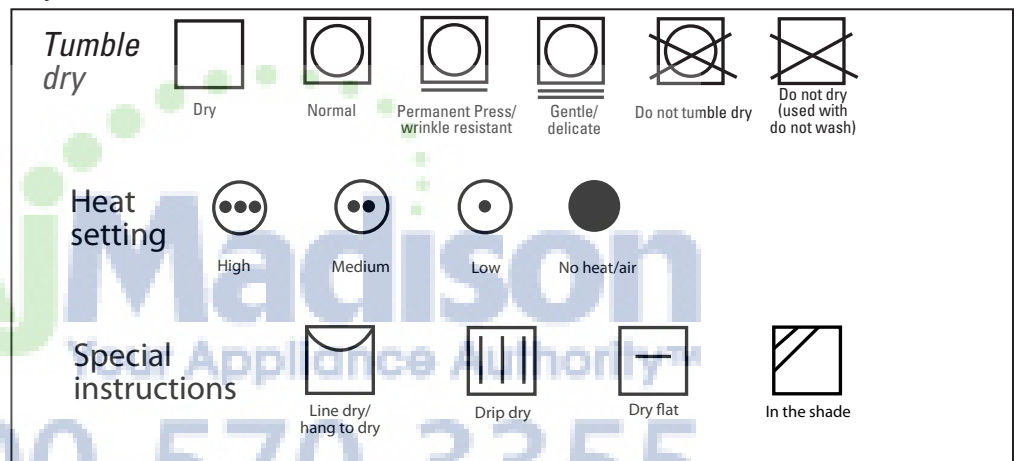
**Do not overload.** This wastes energy and causes wrinkling.

**Do not dry the following items:** fiberglass items, woolens, rubber-coated items, plastics, items with plastic trim and foam-filled items.

### Fabric Care Labels

Below are fabric care label "symbols" that affect the clothing you will be laundering.

#### Dry Labels



### Care and Cleaning of the Dryer

**Dryer Interior:** The interior of the appliance should be cleaned once a year.

**The Exterior:** Wipe or dust any spills or washing compounds with a damp cloth. Dryer control panel and finishes may be damaged by some laundry pretreatment soil and stain remover products. Apply these products away from the dryer. The fabric may then be washed and dried normally. Damage to your dryer caused by these products is not covered by your warranty.

Do not touch the surface or the display with sharp objects.

**The Lint Filter:** Clean the lint filter before each use. Remove by pulling straight up. Open the filter and run your fingers across the filter. A waxy buildup may form on the lint filter from using dryer-added fabric softener sheets. To remove this buildup, wash the lint screen in warm, soapy water. Dry thoroughly and replace. Do not operate the dryer without the lint filter

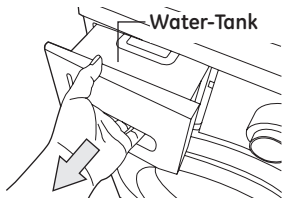
in place.

Vacuum the lint from the dryer lint filter if you notice a change in dryer performance.

**Stainless Steel:** To clean stainless steel surfaces, use a damp cloth with a mild, nonabrasive cleaner suitable for stainless steel surfaces. Remove the cleaner residue, and then dry with a clean cloth.

The stainless steel used to make the dryer drum provides the highest reliability available in a GE dryer. If the dryer drum should be scratched or dented during normal use, the drum will not rust or corrode. These surface blemishes will not affect the function or durability of the drum.

**Condenser:** The condenser should be cleaned once per month.



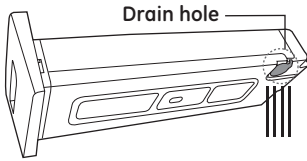
### Emptying the Water Tank

1. Pull out the water tank.

**⚠ CAUTION:** When removing the Water tank from the product, hold it using both hands as it is heavy and take care not to spill any water inside the tank.

2. Remove the condensed water inside the water-tank.

- Remove the condensed water in the tank after every drying cycle.



**⚠ WARNING:** Since there is a chance of water leaking if you do not drain the water after using the product, make sure to drain the water.

**NOTE:** When the Tank Full indicator light is "on", the dryer will not operate until the tank is emptied and the warning has been cleared. Press the **START** button and the indicator light will turn off and the dryer will resume the cycle.

### Cleaning the condenser

1. Open the condenser compartment cover.

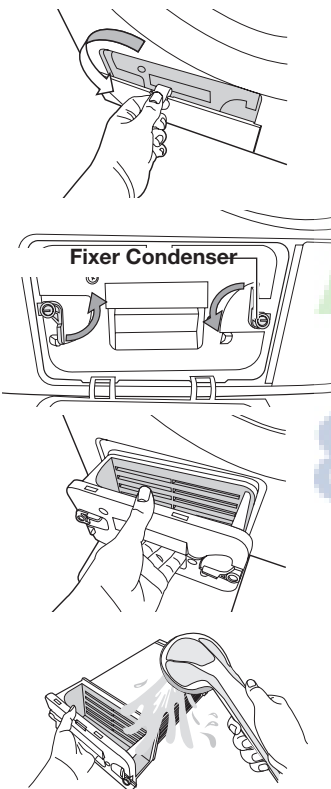
2. Unlock the fixer condenser.

3. Remove the condenser.

4. Clean the condenser completely by allowing tap water to flow through it.

**NOTES:**

- Make sure to clean your condenser once per month to prevent degradation of the dryer's performance.
- When assembling the condenser after cleaning it, make sure the fixer condenser is set to the lock position.



**AjMadison**  
Your Appliance Authority™  
800-570-3355

# Installation Instructions

# Dryer

DCCH480EK, DCCH485EK

Questions? Call 800.GE.CARES (800.432.2737) or visit our Website at: [GEAppliances.com](http://GEAppliances.com)  
In Canada, call 1.800.561.3344 or visit [www.GEAppliances.ca](http://www.GEAppliances.ca)

If you are planning to stack the washer and dryer, order Stacking Kit number GE24STACK to be used for this dryer. Kit sold separately.

## BEFORE YOU BEGIN

Read these instructions completely and carefully.

- **IMPORTANT** – Save these instructions for local electrical inspector's use.
- **IMPORTANT** – Observe all governing codes and ordinances.
- Install the clothes dryer according to the manufacturer's instructions and local codes.
- **Note to Installer** – Be sure to leave these instructions with the Consumer.
- **Note to Consumer** – Keep these instructions for future reference.
- Clothes dryer installation must be performed by a qualified installer.
- Before the old dryer is removed from service or discarded, remove the dryer door.
- Service information and the wiring diagram are located in the control console.
- Do not allow children on or in the appliance. Close supervision of children is necessary when the appliance is used near children.
- Proper installation is the responsibility of the installer.
- Product failure due to improper installation is not covered under the Warranty.
- Install the dryer where the temperature is above 50°F for satisfactory operation of the dryer control system.

## FOR YOUR SAFETY:

### **⚠ WARNING – Risk of Fire**

- To reduce the risk of severe injury or death, follow all installation instructions.
- Clothes dryer installation must be performed by a qualified installer.
- Install the clothes dryer according to these instructions and in accordance with local codes.
- Do not install or store this appliance in any location where it could be exposed to water and/or weather.
- Save these instructions. (Installers: Be sure to leave these instructions with the customer.)

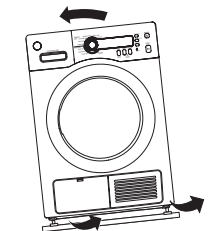
**AI Madison**  
Your Appliance Authority™  
800-570-3355

# Installation Instructions

## UNPACKING YOUR DRYER

Tilt the dryer sideways and remove the foam shipping pads by pulling at the sides and breaking them away from the dryer legs. Be sure to remove all of the foam pieces around the legs.

Remove the bag containing the literature.



## LOCATION OF YOUR DRYER

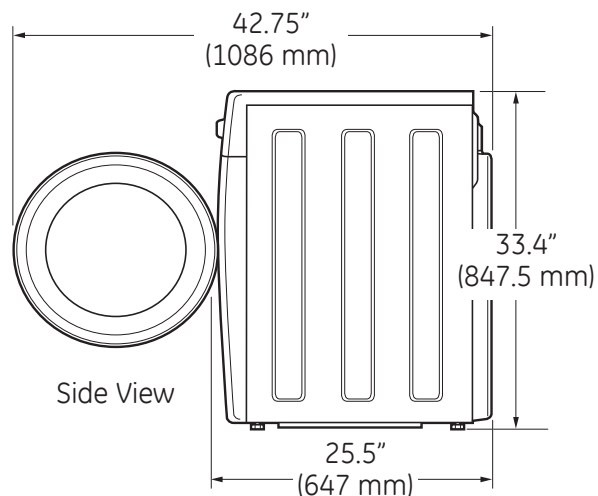
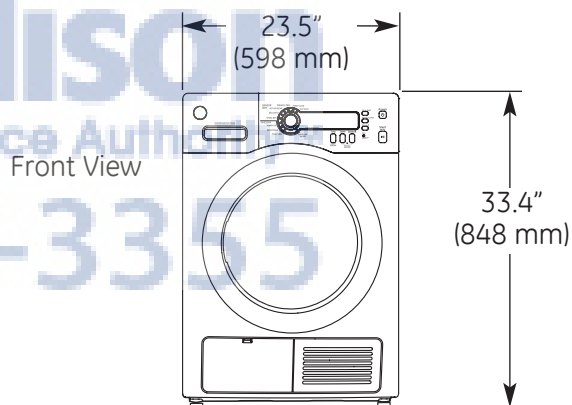
### MINIMUM CLEARANCE OTHER THAN ALCOVE OR CLOSET INSTALLATION

Minimum clearance to combustible surfaces and for air openings are:

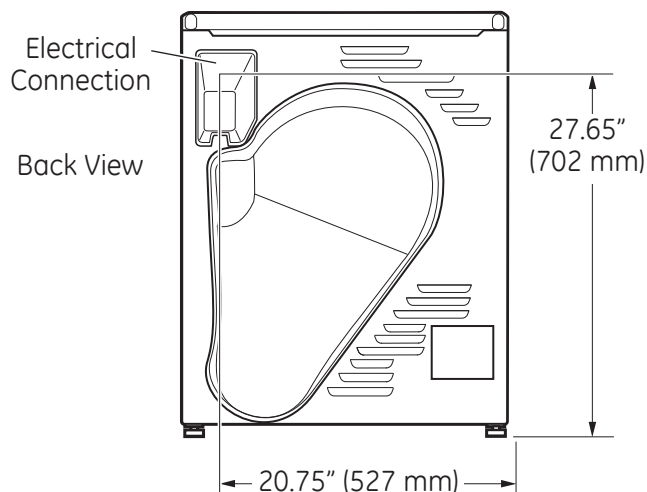
- 0 inch clearance both sides
- 3 inches front and rear

Consideration **must** be given to provide adequate clearance for proper operation and service.

### DRYER DIMENSIONS



### ELECTRICAL CONNECTION



# Installation Instructions

## BATHROOM OR BEDROOM INSTALLATION

- The installation must conform with local codes or, in the absence of local codes, with the NATIONAL ELECTRICAL CODE, ANSI/NFPA NO. 70 (for electric dryers) or NATIONAL FUEL GAS CODE, ANSI Z223 (for gas dryers).

## MOBILE OR MANUFACTURED HOME INSTALLATION

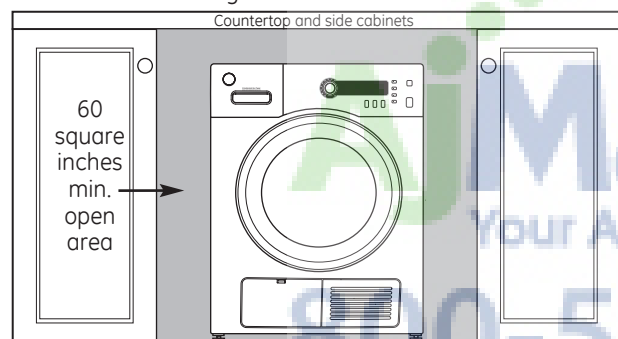
- The installation must conform to the MANUFACTURED HOME CONSTRUCTION & SAFETY STANDARD, TITLE 24, PART 32-80 or, when such standard is not applicable, with AMERICAN NATIONAL STANDARD FOR MOBILE HOME, NO. 501B.
- Provide an opening with a free area of at least 25 sq. in. for introduction of outside air into the dryer room.

## UNDERCOUNTER INSTALLATION

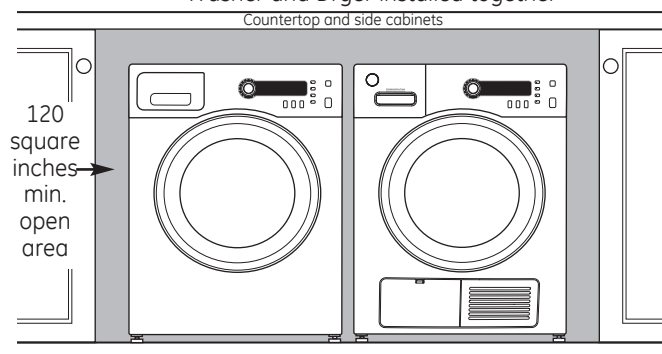
If an undercounter installation is desired:

- No special dryer installation kit is required.
- If the dryer is installed alone, a minimum of 60 square inches of open area is required. If a washer and dryer are installed together, a minimum of 120 square inches of open area is required.

Dryer installed alone







Washer and Dryer installed together





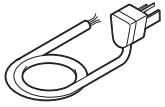
# Installation Instructions

## CONNECTING AN ELECTRIC DRYER

### TOOLS YOU WILL NEED

-   Slip joint pliers
-   Phillips screwdriver
-   Flat-blade screwdriver
-   Level

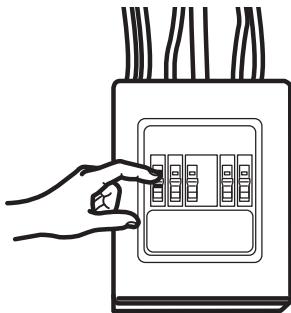
### MATERIALS YOU WILL NEED

-   Safety glasses
-   Gloves
-   Dryer power cord kit  
6 ft. long (not provided with dryer)  
UL-rated 120/240V, 30A with 3 or 4 prongs. Identify the plug type as per the house receptacle before purchasing line cord. (4-prong cord set is included and installed on Canadian models PCVH480 and PCVH485.) Stacking installations may require a power cord up to 6 feet in length.

### FOR YOUR SAFETY:

#### **⚠ WARNING**

Before making the electrical connection, turn off the circuit breaker(s) or remove the dryer's circuit fuse(s) at the electrical box. Be sure the dryer cord is unplugged from the wall. NEVER LEAVE THE ACCESS COVER OFF THE TERMINAL BLOCK.



### ELECTRICAL CONNECTION INFORMATION FOR ELECTRIC DRYERS

**⚠ WARNING** – To reduce the risk of fire, electrical shock and personal injury:

- Do not use an extension cord or an adapter plug with this appliance.
- The dryer must be electrically grounded in accordance with local codes and ordinances or, in the absence of local codes, in accordance with the NATIONAL ELECTRICAL CODE, ANSI/NFPA NO. 70.

### ELECTRICAL REQUIREMENTS FOR ELECTRIC DRYERS

This dryer must be connected to an individual branch circuit, protected by the required time-delay fuses or circuit breakers. A three- or four-wire, single-phase, 120/240V or 120/208V, 60Hz, 30-amp circuit is required.

If the electric supply does not meet the above specifications, then call a licensed electrician.

### GROUNDING INSTRUCTIONS

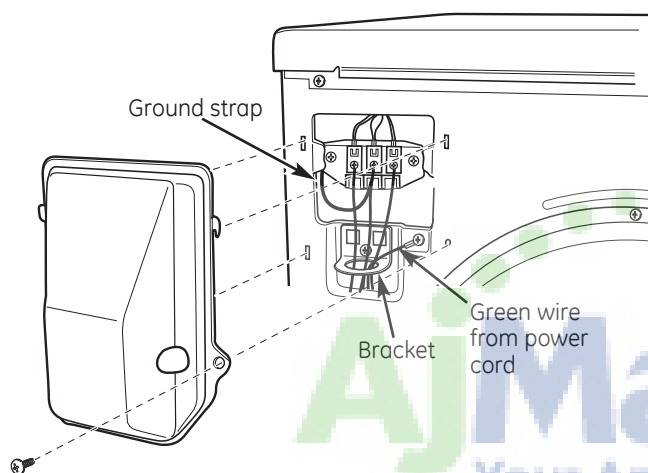
This dryer must be connected to a grounded metal, permanent wiring system, or an equipment-grounding conductor must be run with the circuit conductors and connected to the equipment-grounding terminal on the appliance.

# Installation Instructions

## CONNECTING AN ELECTRIC DRYER (cont.)

### CONNECTING DRYER USING 4-WIRE CONNECTION (MUST BE USED FOR MOBILE HOME INSTALLATION)

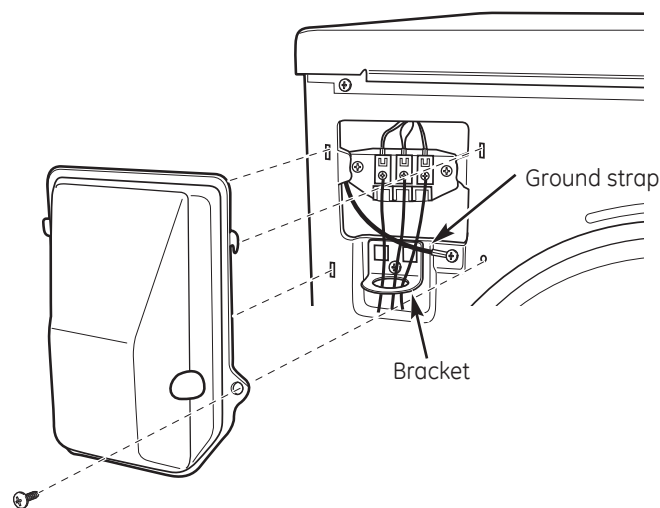
**NOTE:** Since January 1, 1996, the National Electrical Code requires that new constructions utilize a 4-wire connection to an electric dryer. A 4-wire cord must also be used where local codes do not permit grounding through the neutral. 3-wire connection is NOT for use on new construction.



1. Turn off the circuit breaker(s) (30 amp) or remove the dryer's circuit fuse at the electrical box.
2. Be sure the dryer cord is unplugged from the wall receptacle.
3. Remove the power cord cover located at the upper back.
4. Remove the green ground screw and attach the ground strap to the center terminal along with the (white) neutral line described below. Keep the green ground screw for Step 7.
5. Bring the power cord through the bracket.
6. Connect power cord as follows:
  - A. Connect the 2 hot lines to the outer screws of the terminal block (marked L1 and L2).
  - B. Connect the neutral (white) line to the center of the terminal block (marked N).
7. Attach ground wire of power cord with the green ground screw (hole above strain relief bracket). Tighten all terminal block screws (3) completely.
8. Reinstall the cover.

**⚠ WARNING – NEVER LEAVE THE COVER OFF OF THE TERMINAL BLOCK.**

### CONNECTING DRYER USING 3-WIRE CONNECTION



1. Turn off the circuit breaker(s) (30 amp) or remove the dryer's circuit fuse at the electrical box.
2. Be sure the dryer cord is unplugged from the wall receptacle.
3. Remove the power cord cover located at the upper back.
4. Bring the power cord through the bracket.
5. Connect power cord as follows:
  - A. Connect the 2 hot lines to the outer screws of the terminal block (marked L1 and L2).
  - B. Connect the neutral (white) line to the center of the terminal block (marked N).
6. Be sure ground strap is connected to green ground screw on cabinet rear. Tighten all terminal block screws (3) completely.
7. Reinstall the cover.

**⚠ WARNING – NEVER LEAVE THE COVER OFF OF THE TERMINAL BLOCK.**

# Installation Instructions

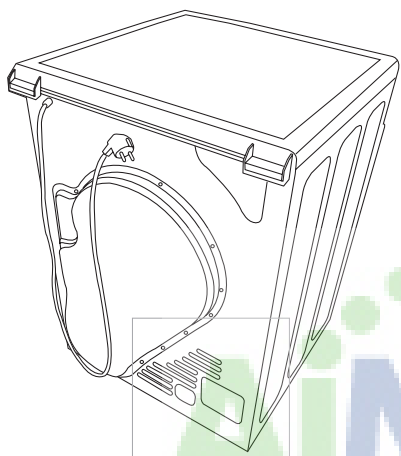
## CONNECTING THE DRAIN HOSE

### DRAINING WATER WITHOUT USING THE WATER TANK

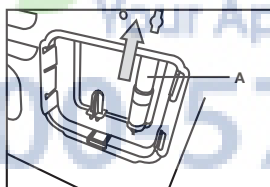
You can use the dryer without using the water tank by following the procedures below.

### CONNECTING THE DRAIN HOSE

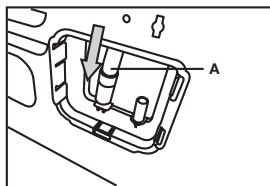
The Dryer can pump the condensed water outside of the DRYER directly with drain hose provide. The procedures to connect the drain hose are as follows.



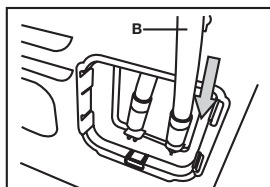
1. Disconnect the drain hose **A**.



2. Connect the drain hose **A** to the other hole.



3. Connect accessory hose **B** (long drain hose) adjacent to hose **A**.

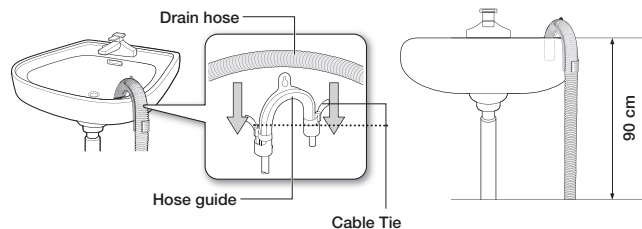


### ⚠ CAUTION:

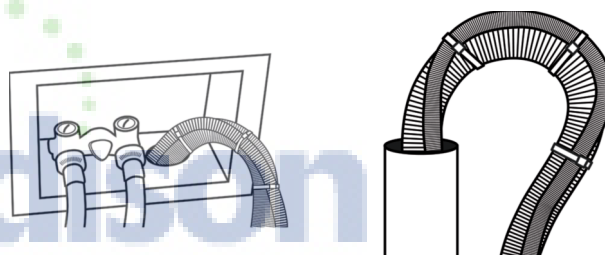
- ❑ When connecting hose **B**, take care that the height of the hose does not exceed 4 ft.
- ❑ After connecting the drain hose, you can now directly drain the condensed water to a standpipe or washstand.

### CONNECTING THE DRAIN HOSE (CONT.)

1. Over the edge of a wash basin: The drain hose must be placed lower than 4 ft. If the end of the drain hose needs to be placed above the ground, we recommend a height of 3 - 4 ft. To keep the drain hose spout bent, use the supplied plastic hose guide. Secure the guide to the wall with a hook or to the tap with a piece of string to prevent the drain hose from moving.)



2. Assemble the drain hose and the hose guide and fix them with the cable-tie.



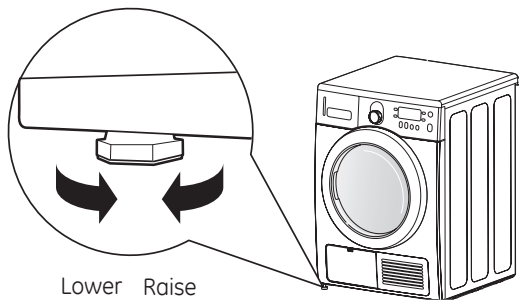
⚠ **CAUTION:** Do not push the drain hose in the standpipe any further than 4 inches. Pushing the drain hose further in the standpipe can cause leaking.

# Installation Instructions

## FINAL SETUP

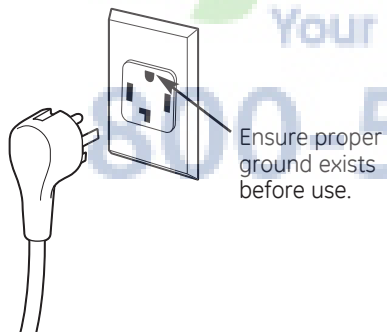
### 1 LEVEL THE DRYER

Stand the dryer upright near the final location and adjust the four leveling legs at the corners to ensure that the dryer is level from side to side and front to rear.



### 2 PLUG DRYER IN

**NOTE:** Stacking installations may require a power cord up to 6 feet in length.



### 3 GROUNDING INSTRUCTIONS

This appliance must be grounded. In the event of malfunction or breakdown, grounding will reduce the risk of electric shock by providing a path of least resistance for electric current. This appliance is equipped with a cord having an equipment-grounding conductor and a grounding plug. The plug must be plugged into an appropriate outlet that is properly installed and grounded in accordance with all local codes and ordinances.

### 4 DRYER STARTUP

Press the **POWER** button.



**NOTE:** If the dryer has been exposed to temperatures below freezing for an extended period of time, allow it to warm up before pressing **POWER**. Otherwise, the display will not come on. The dryer is now ready for use.

### SERVICING

**⚠ WARNING** – Label all wires prior to disconnection when servicing controls. Wiring errors can cause improper and dangerous operation after servicing/installation.

For replacement parts and other information, refer to the back cover for servicing phone numbers.

# Installation Instructions

## REVERSING THE DOOR SWING (if desired)

### IMPORTANT NOTES

- Read the instructions all the way through before starting.
- Handle parts carefully to avoid scratching paint.
- Provide a nonscratching work surface for the doors.
- Set screws down by their related parts to avoid using them in the wrong places.
- All screws must be hand-tightened.
- Normal completion time to reverse the door swing is 20–30 minutes.

**IMPORTANT:** Once you begin, do not move the cabinet until door-swing reversal is completed.

These instructions are for changing the hinges from the right side to the left side—if you ever want to switch them back to the right side, follow these same instructions and reverse all references to the left and right.

### HARDWARE USED

- Mounting Screw



- Hinge Bracket  
Anchoring Screws



- Door and Latch Screws



### TOOLS YOU WILL NEED

- Phillips-head screwdriver



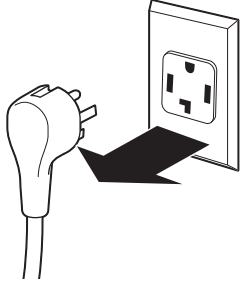
**AjMadison**  
Appliance Authority™  
800-570-3355

# Installation Instructions

## REVERSING THE DOOR SWING (if desired)

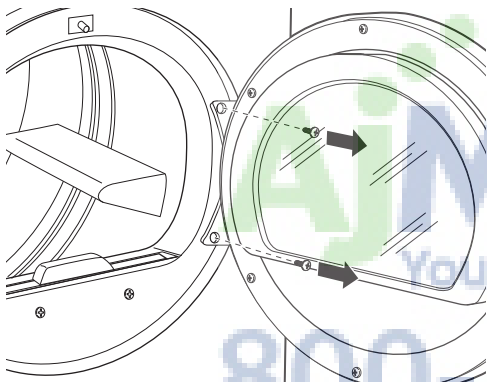
### BEFORE YOU START

Unplug the dryer from its electrical outlet.

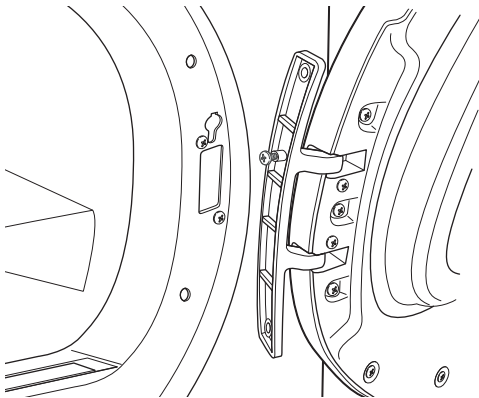


### 1 REMOVE THE DOOR ASSEMBLY

Remove hinge bracket anchoring screws.

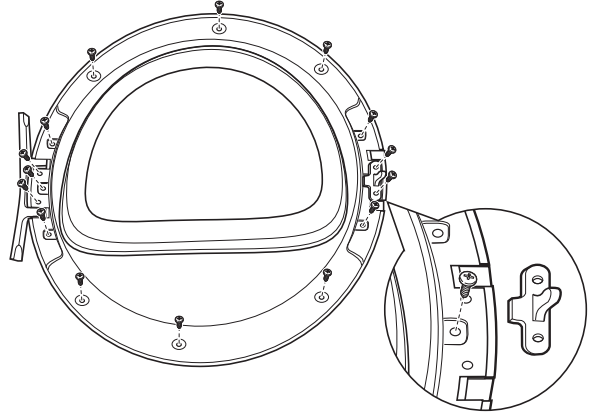


Slide door and hinge assembly upward; then remove the assembly from the dryer front panel.

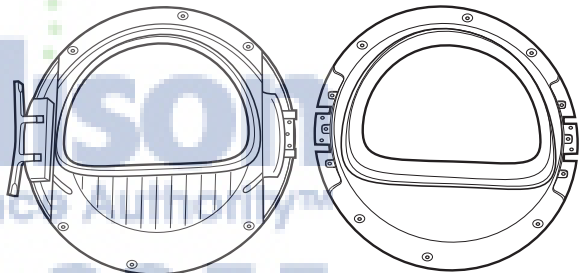


### 2 DISASSEMBLE THE DOOR ASSEMBLY

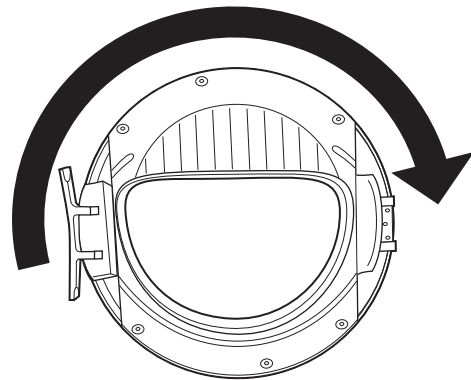
Remove 16 door screws and male end of latch from the inner side of the door.



Remove the inner face.



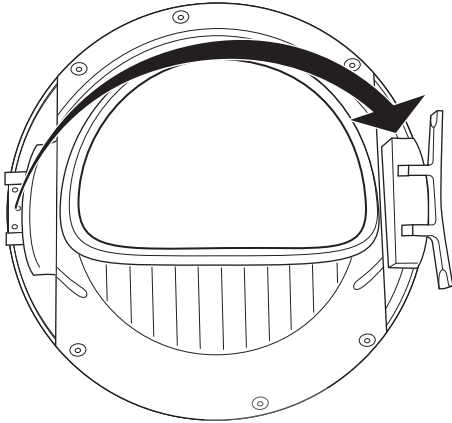
Lift and rotate the window assembly 180° and replace. Also rotate the inner face 180° and replace.



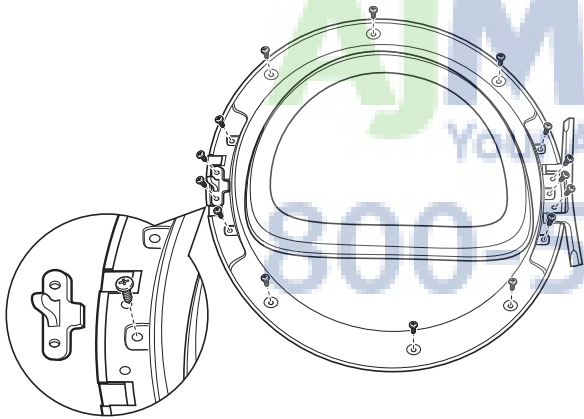
# Installation Instructions

## 3 REPLACE DOOR ASSEMBLY

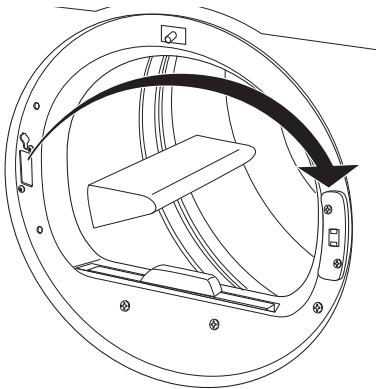
Replace a door screw in the center of the side opposite the hinge. Then put the male end of the latch into place and fasten with two door screws.



Replace all door screws that were removed.

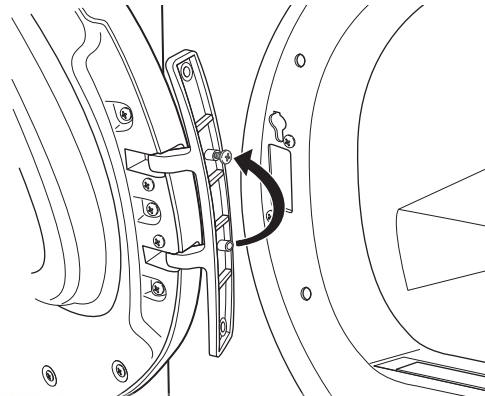


Remove the female end of the latch from the front panel of the dryer, rotate 180° and replace on the opposite side.

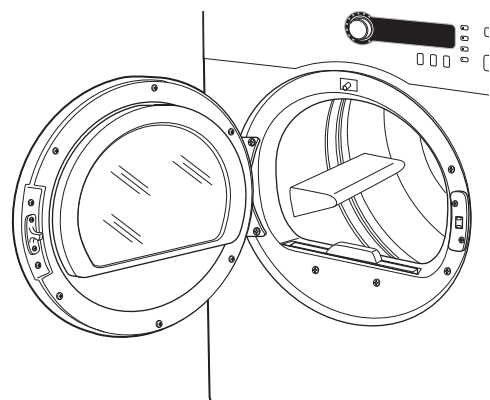
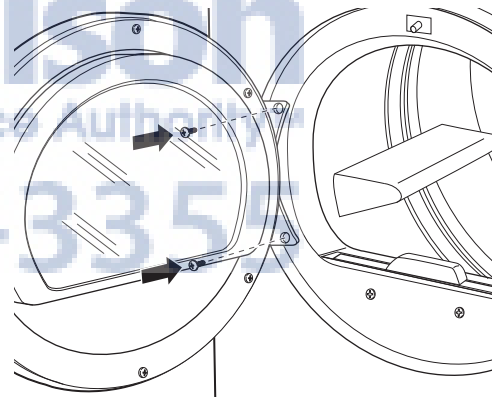


## 3 REPLACE DOOR ASSEMBLY (CONT.)

Move the mounting screw to the upper screw hole position on the hinge so that the door can be set on the cabinet during final installation.



Fasten the hinge back on at the top and bottom with the hinge mounting screws.



# Installation Instructions

## STACKING THE WASHER AND DRYER (if desired)

If you are planning to stack the washer and dryer, order Stacking Kit number GE24STACK to be used for this dryer. Kit sold separately.

### BEFORE YOU BEGIN

Read these instructions completely and carefully.

- **IMPORTANT** – Save these instructions for local electrical inspector's use.
- **IMPORTANT** – Observe all governing codes and ordinances.
- **Note to Installer** – Be sure to leave these instructions with the Consumer.
- **Note to Consumer** – Keep these instructions for future reference.
- Service **must** be performed by a qualified installer.
- Proper installation is the responsibility of the installer.
- Stacking installations may require a power cord up to 6 feet in length.

### FOR YOUR SAFETY:

#### **⚠ WARNING –**

- Electric Shock Hazard. Disconnect power before installing. Failure to do so could result in serious injury or death.
- **Potential Personal Injury. More than two people are recommended to lift the dryer into position because of its weight and size. Failure to do so could result in personal injury or death.**
- Avoid Tipping and Rupture of Utility Services. Dryer must be securely attached to the washer. **DO NOT** place the washer on top of the dryer. Failure to do so could result in personal injury/death or property damage.

### MINIMUM CLEARANCE OTHER THAN ALCOVE OR CLOSET INSTALLATION

Minimum clearance to combustible surfaces and for air opening are: 0" both sides and 3" front and rear. Consideration must be given to provide adequate clearance for installation and service.

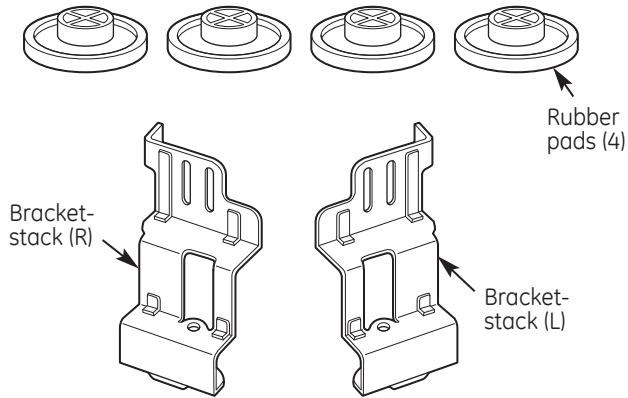
### REQUIREMENTS FOR ALCOVE OR CLOSET INSTALLATION

- Your dryer is approved for installation in an alcove or closet, as stated on a label on the dryer back.
- Minimum clearance between dryer cabinet and adjacent walls or other surfaces is:
  - 0" either side
  - 3" front and rear
- Minimum vertical space from floor to overhead shelves, cabinets, ceilings, etc., is 67.7".
- Closet doors must be louvered or otherwise ventilated and have at least 60 square inches of open area equally distributed. If the closet contains both a washer and a dryer, doors must contain a minimum of 120 square inches of open area equally distributed.

# Installation Instructions

## KIT CONTENTS (GE KIT #GE24STACK)

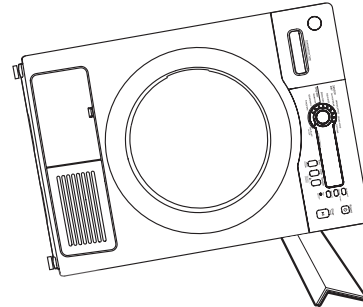
 ← Screws (6)



## INSTALLING THE STACK BRACKET KIT

### 1 LAY THE DRYER ON ITS SIDE

- A. Carefully lay the dryer on its side. Use the packing material so you don't scratch the finish on the dryer.



## TOOLS YOU WILL NEED



Phillips screwdriver



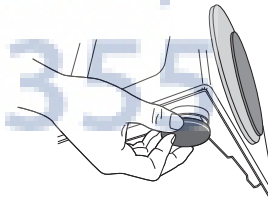
Level



Gloves

### 2 INSTALL RUBBER PADS TO DRYER BASE

- A. Locate the 4 rubber pads in the parts package. Insert rubber pads onto the leveling leg.



- B. Set the dryer upright.

## INSTALLATION PREPARATION

Remove the packaging.

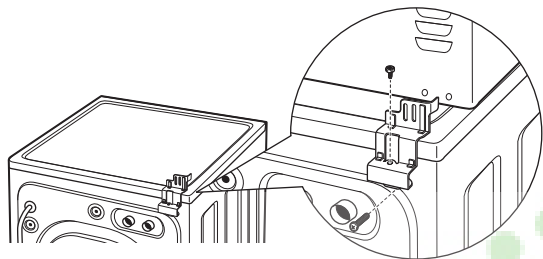
Flatten the product carton to use as a pad to lay the dryer down on its side. Continue using the carton to protect the finished floor in front of the installation location.

# Installation Instructions

## STACKING THE WASHER AND DRYER (if desired) (cont.)

### 3 INSTALL BRACKET TO WASHER

- A. Remove washer top cap screw from the rear left. Align left bracket holes with top cap screw hole on rear left of the unit and replace screw.  
**NOTE:** Leave screws loose so dryer hole alignment will be easier.
- B. Drive next screw through the bracket into the rear of the washer.
- C. Repeat the above steps with the right side.

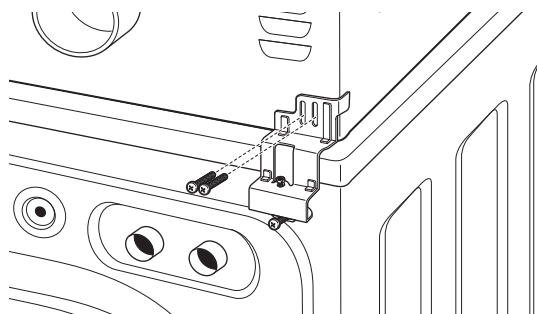


### 4 INSTALL DRYER AND BRACKET ON DRYER

- A. Lift the dryer on top of the washer. Protect the washer control panel with cardboard or other protection. Be sure to lift the dryer high enough to clear the washer control panel.

**⚠ WARNING** – Potential Personal Injury. More than two people are recommended to lift the dryer into position because of its weight and size. Failure to do so could result in personal injury or death.

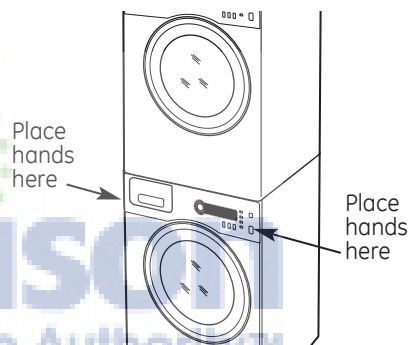
- B. Align the holes in the bracket with the holes in the back of the dryer. Using a Phillips screwdriver, attach the 2 #8 x 1/2" tapping screws.
- C. Tighten the dryer bracket screws; then tighten all stacking kit screws.



### 5 FINALIZE THE INSTALLATION

- A. Refer to the washer Installation Instructions to complete the washer installation.
- B. Refer to the dryer Installation Instructions to complete the dryer installation.
- C. Carefully slide or walk the stacked washer and dryer into place. Use felt pads or other sliding device to assist moving and to protect flooring.

**⚠ WARNING** – Potential Personal Injury. Do not push on the dryer once installed to top of the washer. Pushing on the dryer may result in pinched fingers.





## Before you call for service...



### Troubleshooting Tips

Save time and money! Review the charts on the following pages, or visit [GEAppliances.com](http://GEAppliances.com). You may not need to call for service.

PROBLEM	Possible Causes	What To Do
Dryer shakes or makes noise	Some shaking/noise is normal. Dryer may be sitting unevenly	<ul style="list-style-type: none"> <li>Move dryer to an even floor space, or adjust leveling legs as necessary until even.</li> </ul>
Clothes take too long to dry	Improper sorting	<ul style="list-style-type: none"> <li>Separate heavy items from lightweight items (generally, a well-sorted washer load is a well-sorted dryer load).</li> </ul>
	Large loads of heavy fabrics (like beach towels)	<ul style="list-style-type: none"> <li>Large, heavy fabrics contain more moisture and take longer to dry. Separate large, heavy fabrics into smaller loads to speed drying time.</li> </ul>
	Controls improperly set	<ul style="list-style-type: none"> <li>Match control settings to the load you are drying.</li> </ul>
	Lint filter is full	<ul style="list-style-type: none"> <li>Clean lint filter before every load.</li> </ul>
	Blown fuses or tripped circuit breaker	<ul style="list-style-type: none"> <li>Replace fuses or reset circuit breakers. Since most dryers use 2 fuses/breakers, make sure both are operating.</li> </ul>
	Overloading/combining loads	<ul style="list-style-type: none"> <li>Do not put more than one washer load in the dryer at a time.</li> </ul>
	Underloading	<ul style="list-style-type: none"> <li>If you are drying only one or two items, add a few items to ensure proper tumbling.</li> </ul>
The DRY dryness level was chosen but load is still damp	Load consists of a mixture of heavy and light fabrics	<ul style="list-style-type: none"> <li>When combining heavy and light fabrics in a load, choose <b>MORE DRY</b>.</li> </ul>
Control pads not responding	Controls accidentally put in service mode	<ul style="list-style-type: none"> <li>Press <b>START/PAUSE</b>.</li> </ul>
	Controls accidentally put in lock mode	<ul style="list-style-type: none"> <li>Hold the <b>LOCK</b> button for 3 seconds to unlock the dryer.</li> </ul>
	Controls performed an incorrect operation	<ul style="list-style-type: none"> <li>Reset the in-house breaker.</li> </ul>
Dryer doesn't start	Control panel is "asleep"	<ul style="list-style-type: none"> <li>This is normal. Press <b>POWER</b> to activate the control panel.</li> </ul>
	Dryer is unplugged	<ul style="list-style-type: none"> <li>Make sure the dryer plug is pushed completely into the outlet.</li> </ul>
	Fuse is blown/circuit breaker is tripped	<ul style="list-style-type: none"> <li>Check the building's fuse/circuit breaker box and replace fuse or reset breaker. <b>NOTE:</b> Electric dryers use two fuses or breakers.</li> </ul>
	Dryer was accidentally paused when starting Delay Start	<ul style="list-style-type: none"> <li>If the light on the <b>START/PAUSE</b> button is flashing, the dryer is paused. Press <b>START/PAUSE</b> to restart the countdown.</li> </ul>
	Water-tank is full	<ul style="list-style-type: none"> <li>If the CONDENSATION TANK IS FULL light is on, you must empty the water tank before the dryer will start. Refer to page 11 for instructions on emptying the tank.</li> </ul>

<b>PROBLEM</b>	<b>Possible Causes</b>	<b>What To Do</b>
<i>No numbers displayed during cycle, only lights</i>	Dryer is continuously monitoring the amount of moisture in the clothes	<ul style="list-style-type: none"> <li>This is normal. When the dryer senses a low level of moisture in the load, the dryer will display the dry time remaining.</li> </ul>
<i>Time Remaining jumped to a lower number</i>	The estimated time may change when a smaller load than usual is drying	<ul style="list-style-type: none"> <li>This is normal.</li> </ul>
<i>Cannot make a selection and the dryer beeps twice</i>	The <b>DRYNESS LEVEL</b> , <b>TEMP</b> or <b>OPTION</b> that you are trying to select is incompatible with the chosen dry cycle	<ul style="list-style-type: none"> <li>This is normal.</li> </ul>
<i>Dryer is running but 00 is displayed in Time Remaining</i>	The <b>EXTEND TUMBLE</b> option was chosen	<ul style="list-style-type: none"> <li>This is normal. During extended tumbling, the time remaining is not displayed. The extended tumbling option lasts approximately 20 minutes. It will then tumble intermittently for approximately 70 minutes.</li> </ul>
<i>Clean Lint Filter (message)</i>	<b>POWER</b> button was activated	<ul style="list-style-type: none"> <li>Press <b>START/PAUSE</b> to begin a dry cycle and the message will disappear.</li> </ul>
<i>Dryer doesn't heat</i>	Fuse is blown/circuit breaker is tripped; the dryer may tumble but not heat	<ul style="list-style-type: none"> <li>Check the building's fuse/circuit breaker box and replace both fuses or reset both breakers. Your dryer may tumble if only one fuse is blown or one breaker tripped.</li> </ul>
<i>Inconsistent drying times</i>	Type of heat	<ul style="list-style-type: none"> <li>Drying time will vary according to the type of heat used. If you recently changed from an electric to a gas (natural or LP) dryer, or vice versa, the drying time could be different.</li> </ul>
	Type of load and drying conditions	<ul style="list-style-type: none"> <li>The load size, types of fabric, wetness of clothes and the length ambient air temperature will affect drying times.</li> </ul>
	Excess debris has collected on the condenser preventing proper airflow	<ul style="list-style-type: none"> <li>Refer to page 11 for cleaning instructions</li> </ul>
<i>Glow at the rear of the drum</i>	Heaters behind the drum	<ul style="list-style-type: none"> <li>This is normal. Under certain drying conditions and room ambient lighting, the glow of the heaters may be visible at the rear of the drum.</li> </ul>
<i>Clothes are still wet and dryer shut off after a short time</i>	The door was opened mid-cycle. The load was then removed from the dryer and a new load put in without selecting a new cycle	<ul style="list-style-type: none"> <li>A dry cycle must be reselected each time a new load is put in.</li> </ul>
	Small load	<ul style="list-style-type: none"> <li>When drying 3 items or less, choose <b>SPEED DRY</b> or <b>TIMED DRY</b>.</li> </ul>
	Load was already dry except for collars and waistbands	<ul style="list-style-type: none"> <li>Choose <b>SPEED DRY</b> or <b>TIMED DRY</b> to dry damp collars and waistbands. In the future, when drying a load with collars and waistbands, choose <b>MORE DRY</b>.</li> </ul>
	Dryer is not level	<ul style="list-style-type: none"> <li>Move dryer to an even floor space or adjust leveling legs as necessary until even.</li> </ul>
<i>Clothes are wrinkled</i>	Overdrying	<ul style="list-style-type: none"> <li>Select a shorter drying time.</li> <li>Remove items while they still hold a slight amount of moisture. Select a <b>LESS DRY</b> or <b>DAMP</b> setting.</li> </ul>
	Letting items sit in dryer after cycle ends	<ul style="list-style-type: none"> <li>Remove items when cycle ends and fold or hang immediately, or use the <b>EXTEND TUMBLE</b> option.</li> </ul>
	Overloading	<ul style="list-style-type: none"> <li>Separate large loads into smaller ones.</li> </ul>

## Before you call for service...



### Troubleshooting Tips

PROBLEM	Possible Causes	What To Do
<i>Clothes shrink</i>	Some fabrics will naturally shrink when washed. Others can be safely washed, but will shrink in the dryer	<ul style="list-style-type: none"> <li>To avoid shrinkage, follow garment care labels exactly.</li> <li>Some items may be pressed back into shape after drying.</li> <li>If you are concerned about shrinkage in a particular item, do not machine wash or tumble dry it.</li> </ul>
<i>Greasy spots on clothes</i>	Improper use of fabric softener	<ul style="list-style-type: none"> <li>Follow directions on fabric softener package.</li> </ul>
	Drying dirty items with clean ones	<ul style="list-style-type: none"> <li>Use your dryer to dry only clean items. Dirty items can stain clean items and the dryer.</li> </ul>
	Clothes were not completely clean	<ul style="list-style-type: none"> <li>Sometimes stains which cannot be seen when the clothes are wet <i>appear</i> after drying. Use proper washing procedures before drying.</li> </ul>
<i>Lint on clothes</i>	Lint filter is full	<ul style="list-style-type: none"> <li>Clean lint screen before each load.</li> </ul>
	Improper sorting	<ul style="list-style-type: none"> <li>Sort lint producers (like chenille) from lint collectors (like corduroy).</li> </ul>
	Static electricity can attract lint	<ul style="list-style-type: none"> <li>See suggestions in this section under <b>STATIC</b>.</li> </ul>
	Overloading	<ul style="list-style-type: none"> <li>Separate large loads into smaller ones.</li> </ul>
	Paper, tissue, etc., left in pockets	<ul style="list-style-type: none"> <li>Empty all pockets before laundering clothes.</li> </ul>
<i>Static occurs</i>	No fabric softener was used	<ul style="list-style-type: none"> <li>Try a fabric softener.</li> <li>Bounce® Fabric Conditioner Dryer Sheets have been approved for use in all GE Dryers when used in accordance with the manufacturer's instructions.</li> </ul>
	Overdrying	<ul style="list-style-type: none"> <li>Try a fabric softener.</li> <li>Adjust setting to <b>LESS DRY</b> or <b>DAMP</b>.</li> </ul>
	Synthetics, permanent press and blends can cause static	<ul style="list-style-type: none"> <li>Try a fabric softener.</li> </ul>
<i>Collars and waistbands still wet at end of cycle</i>	The dryness monitor senses that the body of the clothes is dry	<ul style="list-style-type: none"> <li>Choose <b>SPEED DRY</b> or <b>TIMED DRY</b> to dry damp collars and waistbands. In the future, when drying a load with collars and waistbands, choose <b>MORE DRY</b>.</li> </ul>
<i>Slight variation in metallic color</i>	This is normal	<ul style="list-style-type: none"> <li>Due to the metallic properties of paint used for this unique product, slight variations of color may occur due to viewing angles and lighting conditions.</li> </ul>

# GE Dryer Warranty. *(For customers in the United States)*



All warranty service provided by our Factory Service Centers, or an authorized Customer Care® technician. To schedule service on-line, visit us at [GEAppliances.com](http://GEAppliances.com), or call 800.GE.CARES (800.432.2737).

Please have serial number and model number available when calling for service.

Staple your receipt here.  
Proof of the original purchase date is needed to obtain service under the warranty.

## For The Period Of: We Will Replace:

### One Year

From the date of the original purchase

**Any part** of the dryer which fails due to a defect in materials or workmanship. During this **limited one-year warranty**, GE will also provide, **free of charge**, all labor and related service costs to replace the defective part.

## What Is Not Covered (in the United States):

- Service trips to your home to teach you how to use the product.
- Improper installation, delivery or maintenance.
- Failure of the product if it is abused, misused or used for other than the intended purpose or used commercially.
- Replacement of the light bulb after its expected useful life.
- Replacement of house fuses or resetting of circuit breakers.
- Damage to the product caused by accident, fire, floods or acts of God.
- Incidental or consequential damage caused by possible defects with this appliance.
- Damage caused after delivery.
- Product not accessible to provide required service.
- Cleaning of condenser to restore product drying performance.

**EXCLUSION OF IMPLIED WARRANTIES—Your sole and exclusive remedy is product repair as provided in this Limited Warranty. Any implied warranties, including the implied warranties of merchantability or fitness for a particular purpose, are limited to one year or the shortest period allowed by law.**

This warranty is extended to the original purchaser and any succeeding owner for products purchased for home use within the USA. If the product is located in an area where service by a GE Authorized Servicer is not available, you may be responsible for a trip charge or you may be required to bring the product to an Authorized GE Service location for service. In Alaska, the warranty excludes the cost of shipping or service calls to your home.

Some states do not allow the exclusion or limitation of incidental or consequential damages. This warranty gives you specific legal rights, and you may also have other rights which vary from state to state. To know what your legal rights are, consult your local or state consumer affairs office or your state's Attorney General.

**Warrantor: General Electric Company. Louisville, KY 40225**

## Consumer Support.

---



### GE Appliances Website

In the U.S.: **GEAppliances.com**

Have a question or need assistance with your appliance? Try the GE Appliances Website 24 hours a day, any day of the year! For greater convenience and faster service, you can now download Owner's Manuals, order parts or even schedule service on-line. **In Canada: [www.GEAppliances.ca](http://www.GEAppliances.ca)**



### Schedule Service

In the U.S.: **GEAppliances.com**

Expert GE repair service is only one step away from your door. Get on-line and schedule your service at your convenience any day of the year! Or call 800.GE.CARES (800.432.2737) during normal business hours.

**In Canada, call 1.800.561.3344**



### Real Life Design Studio

In the U.S.: **GEAppliances.com**

GE supports the Universal Design concept—products, services and environments that can be used by people of all ages, sizes and capabilities. We recognize the need to design for a wide range of physical and mental abilities and impairments. For details of GE's Universal Design applications, including kitchen design ideas for people with disabilities, check out our Website today. For the hearing impaired, please call 800.TDD.GEAC (800.833.4322).

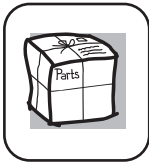
**In Canada, contact:** Manager, Consumer Relations, Mabe Canada Inc.  
Suite 310, 1 Factory Lane  
Moncton, N.B. E1C 9M3



### Extended Warranties

In the U.S.: **GEAppliances.com**

Purchase a GE extended warranty and learn about special discounts that are available while your warranty is still in effect. You can purchase it on-line anytime, or call 800.626.2224 during normal business hours. GE Consumer Home Services will still be there after your warranty expires. **In Canada, call 1.888.261.2133**



### Parts and Accessories

In the U.S.: **GEAppliances.com**

Individuals qualified to service their own appliances can have parts or accessories sent directly to their homes (VISA, MasterCard and Discover cards are accepted). Order on-line today, 24 hours every day or by phone at 800.626.2002 during normal business hours.

**Instructions contained in this manual cover procedures to be performed by any user. Other servicing generally should be referred to qualified service personnel. Caution must be exercised, since improper servicing may cause unsafe operation.**

Customers **in Canada** should consult the yellow pages for the nearest Mabe service center, or call 1.800.661.1616.



### Contact Us

In the U.S.: **GEAppliances.com**

If you are not satisfied with the service you receive from GE, contact us on our Website with all the details including your phone number, or write to:

General Manager, Customer Relations  
GE Appliances, Appliance Park  
Louisville, KY 40225

**In Canada: [www.GEAppliances.ca](http://www.GEAppliances.ca), or write to:** Director, Consumer Relations, Mabe Canada Inc.  
Suite 310, 1 Factory Lane  
Moncton, N.B. E1C 9M3



### Register Your Appliance

In the U.S.: **GEAppliances.com**

**Register your new appliance on-line—at your convenience!** Timely product registration will allow for enhanced communication and prompt service under the terms of your warranty, should the need arise. You may also mail in the pre-printed registration card included in the packing material. **In Canada: [www.GEAppliances.ca](http://www.GEAppliances.ca)**

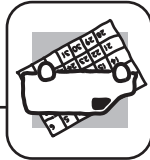


## Sitio Web de GE Appliances

¿Tiene una consulta o necesita ayuda con su aparato? Visite el Sitio Web de GE Appliances las 24 horas al día, todos los días del año! Para una mayor comodidad y un servicio más rápido, ahora usted puede bajar los Manuales del Propietario, solicitar piezas o programar atención on-line. **En Canadá: [www.GEAppliances.ca](http://www.GEAppliances.ca)**

## Programa una reparación

El servicio experto de reparación de GE está sólo a un paso de su hogar. Programa on-line el servicio técnico a su conveniencia cualquier día del año! O llame al 800.GE.CARES (800.432.2737) durante horario normal de trabajo. **En Canadá, llame al 1.800.561.3344**



## Estudio de diseño para la vida real

GE apoya el concepto de Diseño Universal: Productos, servicios y ambientes que pueden ser utilizados por personas de todas las edades, tamaños y capacidades. Reconocemos la necesidad de la creación de diseños para una amplia gama de capacidades y limitaciones físicas y mentales. Para más detalles sobre las aplicaciones de Diseño Universal de GE, incluyendo ideas de diseño de cocina para personas con discapacidades, visite el Sitio Web hoy mismo. Para las personas con problemas auditivos, llame al 800.TDD.GEAC (800.833.4322).

**En Canadá, comuníquese con:** Manager, Consumer Relations, Mabe Canada Inc.  
Suite 310, 1 Factory Lane  
Moncton, N.B. E1C 9M3



## Garantías extendidas

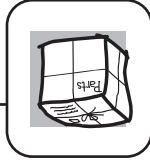
Adquiera una garantía extendida de GE y averigüe sobre descuentos especiales disponibles durante la vigencia de su garantía. Usted puede adquirirlo on-line en cualquier momento, o llamar al 800.626.2224 en horario normal de trabajo. El Servicio Doméstico al Consumidor de GE también lo ayudará después de que su garantía haya expirado. **En Canadá, llame al 1.888.261.2133**

## Piezas y accesorios

Las personas calificadas para arreglar sus propios aparatos pueden recibir las piezas o accesorios directamente en sus hogares (se aceptan las tarjetas VISA, MasterCard y Discover). Solicítelos on-line hoy mismo, las 24 horas del día o por teléfono al 800.626.2002 en horario normal de trabajo.

**Las instrucciones incluidas en este manual cubren los procedimientos a realizar por cualquier usuario. Personal de servicio técnico calificado debe efectuar otra clase de arreglos. Debe tenerse mucho cuidado, porque los arreglos inadecuados pueden provocar un funcionamiento poco seguro.**

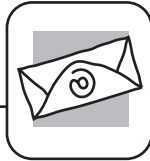
Los clientes de **Canadá** deben consultar las páginas amarillas para encontrar el centro de servicio Mabe más cercano, o deben llamar al 1.800.661.1616.



## Comuníquese con nosotros

Si no se encuentra satisfecho con el servicio que recibe de GE, comuníquese con nosotros a través del Sitio Web con todos los detalles, incluyendo número de teléfono, o escribanos a:

GE Appliances, Appliance Park  
General Manager, Customer Relations  
Louisville, KY 40225  
Director, Consumer Relations, Mabe Canada Inc.  
Suite 310, 1 Factory Lane  
Moncton, N.B. E1C 9M3



## Registre su aparato

**Registre su nuevo aparato on-line, como le resulte más conveniente!** Una inscripción de producto oportuna mejorará y acelerará las comunicaciones y el servicio según los términos de la presente garantía, si surgiera la necesidad. Usted también puede enviar por correo la tarjeta de inscripción pre-impresa incluida con el material de empaque. **En Canadá: [www.GEAppliances.ca](http://www.GEAppliances.ca)**



# Garantía de la secadora GE.



Todos los servicios de garantía se ofrecen a través de nuestros centros de asistencia técnica o un técnico autorizado de Customer Care®. Para programar servicio de asistencia técnica en línea, visite la página [GEAppliances.com](http://GEAppliances.com) o llame al 800.GE.CARES (1.800.432.2737). Cuando llame para solicitar servicio, por favor tenga a mano el número de serie y el número de modelo.

Engape el recibo aquí. Se necesita el comprobante con la fecha de compra original para que la garantía cubra los servicios.

**Periodo:**

**Se sustituirá:**

**Un año** Desde la fecha de compra original  
**Cualquier pieza** de la secadora que falle debido a un defecto de los materiales o mano de obra. Durante esta **garantía limitada de un año**, GE también ofrece, **en forma gratuita**, toda la mano de obra y los costos de servicio para reemplazar la pieza defectuosa.

**Exclusiones de la garantía:**

- Visitas de servicio a domicilio para mostrarle cómo utilizar el producto.
- Instalación, envío o mantenimiento incorrectos.
- Fallas del producto por manipulación, uso incorrecto o distinto al destinado o previsto comercialmente.
- Recambio de la bombilla de luz después de su vida útil esperada.
- Sustitución de los fusibles de la vivienda o
- Daños causados por accidentes, incendios, inundaciones o fenómenos naturales.
- Daños emergentes o fortuitos causados por posibles defectos del electrodoméstico.
- Daños tras la entrega.
- Producto no accesible para facilitar el servicio requerido.

**EXCLUSIÓN DE GARANTÍAS IMPLÍCITAS—Su único y exclusivo derecho es la reparación del producto, tal y como se indica en esta Garantía limitada. Cualquier garantía implícita, incluyendo las garantías implícitas de comerciabilidad o adecuación para un fin determinado, están limitadas a un año o el periodo de tiempo más breve permitido por la ley.**

Esta garantía se extiende al comprador original y cualquier comprador posterior de productos comprados para uso residencial dentro de los Estados Unidos. Si el producto está situado en un área que no dispone de servicio por parte de un proveedor de servicio autorizado de GE, podría tener que hacerse cargo de los costes de envío o bien podría solicitarse que lleve el producto a una centro de servicio de GE autorizado para realizar la reparación. En Alaska, la garantía excluye el costo de envío o las visitas de servicio a su casa.

Algunos estados no permiten la exclusión o las limitaciones de daños incidentales o consecuentes. Esta garantía da derechos legales específicos, y usted podría tener otros derechos que varían de estado a estado. Para saber cuáles son sus derechos legales, consulte a la oficina de asuntos del consumidor local o la oficina del Procurador (Attorney General) en su localidad.

Garante: General Electric Company. Louisville, KY 40225



Consejos para la solución de problemas

Antes de llamar al servicio de asistencia técnica...

Problema	Causas posibles	Solución
Las prendas están arrugadas	Secado excesivo	<ul style="list-style-type: none"> <li>• Seleccione un tiempo de secado más corto.</li> <li>• Quite las prendas cuando todavía tienen una pequeña cantidad de humedad. Seleccione una configuración <b>LESS DRY</b> (menor seco) o <b>DAMP</b> (húmedo).</li> </ul>
Las prendas encogen	<p>Algunas telas encogen naturalmente cuando se las lava. Otros pueden lavarse sin problemas, pero encogerán en la secadora</p> <p>Algunas prendas pueden plancharse y volver a su forma original después del secado.</p> <ul style="list-style-type: none"> <li>• Si tiene miedo de que una prenda determinada encoga, no la lave a máquina ni la seque con secadora.</li> <li>• Siga las instrucciones del paquete de suavizante.</li> <li>• Use su secadora sólo para secar ropa limpia. La ropa sucia puede manchar prendas y la secadora.</li> <li>• A veces las manchas no se ven cuando la ropa está mojada pero <i>aparecen</i> después del secado. Utilice procedimiento de lavado adecuados antes del secado.</li> </ul>	<ul style="list-style-type: none"> <li>• Limpie el filtro de pelusas antes de cada carga.</li> <li>• Separe las telas que producen pelusas (como el chenille) de las que atraen pelusas (como el corderoj).</li> <li>• Ver sugerencias en esta sección bajo <b>ESTÁTICA</b>.</li> </ul>
Manchas grasosas en la ropa	<p>Secar prendas sucias con limpias</p> <p>Use indebido del suavizante</p>	<ul style="list-style-type: none"> <li>• Use su secadora sólo para secar ropa limpia. La ropa sucia puede manchar prendas y la secadora.</li> <li>• A veces las manchas no se ven cuando la ropa está mojada pero <i>aparecen</i> después del secado. Utilice procedimiento de lavado adecuados antes del secado.</li> </ul>
Pelusas en la ropa	<p>El filtro de pelusas está lleno</p> <p>Clasificación inadecuada</p> <p>La electricidad estática puede atraer pelusas</p>	<ul style="list-style-type: none"> <li>• Limpie el filtro de pelusas antes de cada carga.</li> <li>• Separe las telas que producen pelusas (como el chenille) de las que atraen pelusas (como el corderoj).</li> <li>• Ver sugerencias en esta sección bajo <b>ESTÁTICA</b>.</li> </ul>
Carga excesiva	<p>Se ha dejado en los bolsillos papel, pañuelos de papel, etc.</p> <p>No se utilizó suavizante</p>	<ul style="list-style-type: none"> <li>• Use suavizante de ropa.</li> <li>• El acondicionador de telas Bounce® en hojas ha sido aprobado para su uso en todas las secadoras GE cuando se utiliza de acuerdo con las instrucciones del fabricante.</li> <li>• Use suavizante de ropa.</li> </ul>
Secado excesivo	<p>Las telas sintéticas, el planchado permanente y las mezclas pueden provocar estática</p>	<ul style="list-style-type: none"> <li>• Use suavizante de ropa.</li> <li>• Ajuste la configuración a <b>LESS DRY</b> o <b>DAMP</b>.</li> </ul>
Los cuellos y las cinturas todavía están húmedos al finalizar el ciclo	<p>El monitor de secado detecta que la mayoría de las prendas se encuentran secas</p>	<ul style="list-style-type: none"> <li>• Seleccione <b>SPEED DRY</b> (secado rápido) o <b>TIMED DRY</b> (secado temporizado) para secar cuellos y cinturas. En el futuro, cuando seque una carga con cuellos y cinturas, seleccione <b>MORE DRY</b> (más seco).</li> </ul>
Pequeña variación del color metálico	<p>Esto es normal</p>	<ul style="list-style-type: none"> <li>• Debido a las propiedades metálicas de la pintura utilizada con este producto único, pueden ocurrir pequeñas variaciones de color debido ángulos de visualización y condiciones de iluminación.</li> </ul>

Problema	Causas posibles	Solución
Se selecciona el nivel de secado DRY (seco) pero la carga sigue húmeda	El sistema de salida se encuentra bloqueado	<ul style="list-style-type: none"> <li>• Cuando combine telas pesadas y livianas, seleccione <b>MORE DRY</b> (más seco).</li> <li>• Inspeccione y limpie el sistema de salida.</li> </ul>
No se ven números durante el ciclo, sólo luces	La secadora monitoreará continuamente la cantidad de humedad de las ropas	<ul style="list-style-type: none"> <li>• Esto es normal. Cuando la secadora detecta un nivel bajo de humedad en la carga, esta mostrará el tiempo restante de secado.</li> <li>• Esto es normal.</li> </ul>
El tiempo restante salta a un número más bajo	El tiempo estimado puede cambiar cuando se está secando una carga más pequeña de lo normal	<ul style="list-style-type: none"> <li>• Esto es normal.</li> </ul>
No se puede hacer una selección y la secadora emite dos pitidos	El nivel de secado, la temperatura o la opción que trata de seleccionar es incompatible con el ciclo de secado seleccionado	<ul style="list-style-type: none"> <li>• Esto es normal.</li> </ul>
La secadora funciona pero se ve 00 en el tiempo restante	Se seleccionó la opción <b>EXTEND TUMBLE</b> (secado prolongado)	<ul style="list-style-type: none"> <li>• Presione <b>START/PAUSE</b> (inicio/pausa) para comenzar un ciclo de secado y el mensaje desaparecerá.</li> </ul>
Clean Lint Filter (mensaje)	Se activó el botón <b>POWER</b> (encendido)	<ul style="list-style-type: none"> <li>• Verifique la caja de fusibles/disjuntor accionado; la secadora girará pero no calentará</li> <li>• Verifique ambos fusibles o reconfigure ambos disyuntores. La secadora puede girar si sólo se ha quemado un fusible o se ha accionado un disyuntor.</li> <li>• Verifique que la boca de gas de la secadora y la boca principal se encuentren abiertas.</li> </ul>
La secadora no calentará	Fusible quemado/disjuntor accionado; la secadora girará pero no calentará	<ul style="list-style-type: none"> <li>• El tanque de suministro de gas</li> <li>• Rellene o cambie el tanque. La secadora debe calentarse cuando se reestablezca el servicio.</li> <li>• PL está vacío o ha habido una interrupción del servicio de gas natural (en modelos a gas)</li> </ul>
Tiempos de secado desiguales	Tipo de calor	<ul style="list-style-type: none"> <li>• El tiempo de secado cambia se acuerdo con el tipo de calor utilizado. Si recientemente ha cambiado de una secadora eléctrica a una a gas (natural o PL), o viceversa, los tiempos de secado pueden cambiar.</li> <li>• El tamaño de la carga, los tipos de tela, la humedad de la ropa y la duración de la temperatura del aire en el ambiente afectarán los tiempos de secado.</li> </ul>
Brillo en la parte trasera del tambor	Calentadores detrás del tambor	<ul style="list-style-type: none"> <li>• Esto es normal. En ciertas condiciones de secado e iluminación ambiente, el brillo de los calentadores puede verse en la parte trasera del tambor.</li> </ul>
Las prendas siguen húmedas y la secadora se apagó después de un periodo corto	La puerta se abrió en la mitad del ciclo. Luego se quitó la carga de la secadora y se colocó una nueva carga sin seleccionar un nuevo ciclo	<ul style="list-style-type: none"> <li>• Debe seleccionarse un ciclo de secado cada vez que se ingresa una carga.</li> </ul>
Las prendas encogen	Algunas telas encogen naturalmente cuando se las lava. Otras pueden lavarse sin problemas, pero encogerán en la secadora	<ul style="list-style-type: none"> <li>• La carga ya estaba seca con excepción de los cuellos y las cinturas</li> <li>• La secadora está desnivelada</li> </ul>
	Carga pequeña	<ul style="list-style-type: none"> <li>• Cuando se sequen 3 prendas o menos, seleccione <b>SPEED DRY</b> (secado rápido) o <b>TIMED DRY</b> (secado temporizado).</li> <li>• Seleccione <b>SPEED DRY</b> o <b>TIMED DRY</b> para secar cuellos y cinturas. En el futuro, cuando seque una carga con cuellos y cinturas, seleccione <b>MORE DRY</b>.</li> <li>• Desplácese la secadora a un lugar nivelado o ajuste las patas niveladoras según sea necesario.</li> </ul>
	Algunas telas encogen naturalmente cuando se las lava. Otras pueden lavarse sin problemas, pero encogerán en la secadora	<ul style="list-style-type: none"> <li>• Para que no encojan, siga las instrucciones de cuidado de la prenda al pie de la letra.</li> <li>• Algunas prendas pueden plancharse y volver a su forma original después del secado.</li> <li>• Si tiene miedo de que una prenda determinada encoja, no la lave a máquina ni la seque con secadora.</li> </ul>

## Antes de llamar al servicio de asistencia técnica...



Consejos para la solución de problemas  
 !Ahorre tiempo y dinero! Consulte primero las tablas de las páginas  
 siguientes y quizás no necesite llamar al servicio de asistencia técnica..

Problema	Causas posibles	Solución
La secadora se mueve o hace ruido	El movimiento/ruido es normal. La secadora puede estar colocada en un lugar desnivelado	<ul style="list-style-type: none"> <li>Desplace la secadora a un lugar nivelado, o ajuste las patas niveladoras según sea necesario.</li> </ul>
Las prendas tardan mucho en secarse	Clasificación inadecuada	<ul style="list-style-type: none"> <li>Separe prendas pesadas de livianas (generalmente, una carga bien clasificada para la lavadora es una carga bien clasificada para la secadora).</li> <li>Las telas grandes y pesadas contienen más humedad y tardan más en secarse. Separe las telas grandes y pesadas en cargas más pequeñas para acelerar el tiempo de secado.</li> </ul>
Cargas grandes de telas pesadas (como toallas de playa)	Los controles están mal configurados	<ul style="list-style-type: none"> <li>Ajuste las configuraciones de control a la carga que está secando.</li> </ul>
El filtro de pelusas está lleno	Fusible quemado o disyuntor accionado	<ul style="list-style-type: none"> <li>Cambie los fusibles o reconfigure los disyuntores. Ya que la mayoría de las secadoras utilizan 2 fusibles/disyuntores, asegúrese de que ambos estén funcionando.</li> <li>No coloque más de una carga en la secadora por vez.</li> </ul>
Carga excesiva/cargas combinadas	Poca carga	<ul style="list-style-type: none"> <li>Si va secar solo una o dos prendas, agregue algunas más para asegurar un secado correcto.</li> <li>Cuando combine telas pesadas y livianas, seleccione <b>MORE DRY</b> (más seco).</li> </ul>
Se seleccionó el nivel de secado DRY (seco) pero la carga sigue húmeda	La carga incluye una mezcla de telas pesadas y livianas	<ul style="list-style-type: none"> <li>Presione <b>START/PAUSE</b> (inicio/pausa).</li> </ul>
Las teclas de control no responden	Los controles se accionaron accidentalmente en el modo de servicio	<ul style="list-style-type: none"> <li>Sostenga el botón <b>LOCK</b> (bloqueo) durante 3 segundos para desbloquear la secadora.</li> <li>Los controles se accionaron accidentalmente en el modo de bloqueo</li> </ul>
La secadora no se enciende	El panel de control está "dormido"	<ul style="list-style-type: none"> <li>Esto es normal. Presione <b>POWER</b> (encendido) para activar el panel de control.</li> <li>Verifique que el enchufe de la secadora esté bien colocado en el tomacorriente.</li> </ul>
Fusible quemado/disyuntor accionado	La secadora se puso en pausa accidentalmente cuando se inició Delay Start (inicio retardado)	<ul style="list-style-type: none"> <li>Si la luz del botón <b>START/PAUSE</b> destella, la secadora se encuentra en pausa. Presione <b>START/PAUSE</b> para volver a iniciar la cuenta regresiva.</li> <li>Si la luz del TANQUE DE CONDENSACIÓN está encendida, deberá vaciar el tanque de agua antes de que la secadora empiece a funcionar. Para obtener instrucciones sobre cómo vaciar el tanque, consulte la página 11.</li> </ul>



CÓMO APILAR LA LAVADORA Y LA SECADORA (si así lo desea) (cont.)

**3** **CÓMO INSTALAR EL SOPORTE EN LA LAVADORA**



- Quite el tornillo de la tapa superior de la lavadora de la parte trasera izquierda con el orificio de tornillo del soporte izquierdo con el orificio de tornillo de la tapa superior de la parte trasera izquierda de la unidad y coloque el tornillo.
- NOTA:** Deje los tornillos flojos para facilitar la alineación del orificio de la secadora.
- Introduzca el tornillo siguiente a través del soporte dentro de la parte trasera de la lavadora.
- Repita los pasos anteriores en el lado derecho.

**4** **CÓMO INSTALAR LA SECADORA Y EL SOPORTE EN LA SECADORA**

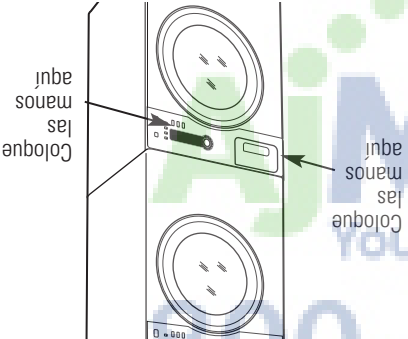


- Levante la secadora sobre la lavadora. Proteja el panel de control de la lavadora con cartón u otra protección. Asegúrese de levantar la secadora lo suficiente para liberar el panel de control de la lavadora.
- ADVERTENCIA – Lesiones**  
de dos personas levanten la secadora hasta su posición debido a su peso y tamaño. No hacerlo puede provocar una lesión personal o la muerte. Alinee los orificios del soporte con los orificios de la parte trasera de la secadora. Con un destornillador de estrella, sujete los 2 tornillos auto-roscentes #8 x 1/2".
- Ajuste los tornillos del soporte de la secadora; luego ajuste todos los tornillos del kit de aplido.

**5** **FINALICE LA INSTALACIÓN**

- Consulte las instrucciones de instalación de la lavadora para completar la instalación de la lavadora.
- Consulte las instrucciones de instalación de la secadora para completar la instalación de la secadora.
- Con cuidado deslice o desplace la lavadora y secadora apiladas a su lugar. Utilice almohadillas u otro dispositivo para ayudar a deslizar los artefactos y para proteger el piso.

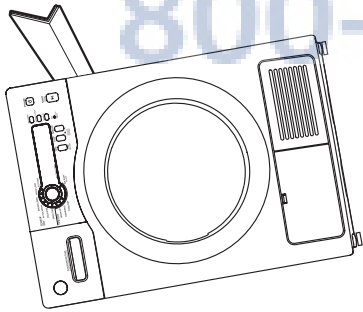
**ADVERTENCIA:** Lesiones personales potenciales. No empuje la secadora una vez que se haya instalado sobre la lavadora. Si empuja la secadora puede pellizcarse los dedos.



**CÓMO INSTALAR EL KIT DE SOPORTE DE APILADO**

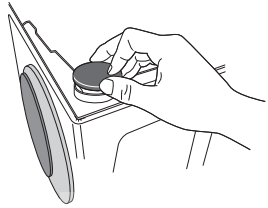
**1 APOYE LA MANGUERA SOBRE SU COSTADO**

A. Con cuidado coloque la secadora sobre su lado. Utilice el material de empaque para no rayar el acabado de la secadora.



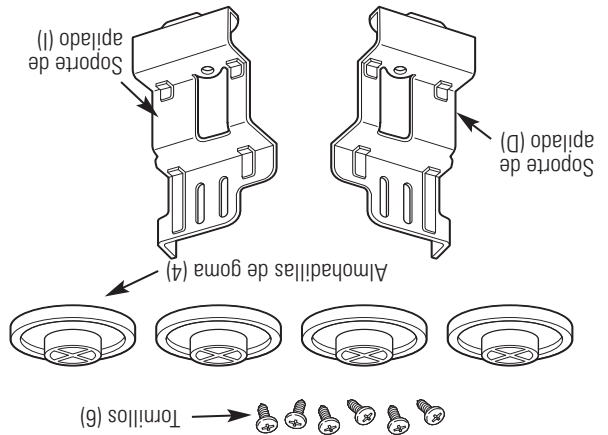
**2 INSTALE ALMOHADILLAS DE GOMA EN LA BASE DE LA SECADORA**

A. Tome las 4 almohadillas de goma que se encuentran en el paquete de las piezas. Inserte las almohadillas de goma en la pata niveladora.



B. Coloque la secadora en posición vertical.

**CONTENIDO DEL KIT (KIT DE GE #GE24STACK)**

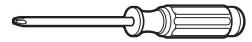


800-570-3355

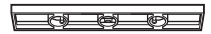
**HERRAMIENTAS NECESARIAS**



■ Guantes



■ Destornillador Phillips



■ Nivel

**PREPARACIÓN PARA LA INSTALACIÓN**

Quite el envoltorio.  
Aplaste el cartón del producto para poder utilizarlo para colocar la secadora de costado. Siga usando el cartón para proteger el piso frente al lugar de instalación.

## CÓMO APILAR LA LAVADORA Y LA SECADORA (si así lo desea)

Si planea apilar la lavadora y secadora, solicite el kit de apilado número GE245TACK para usar con esta secadora. El kit se vende por separado.

**ANTES DE COMENZAR**

Lea detenidamente todas las instrucciones.

- **IMPORTANTE** – Guarde estas instrucciones para uso del inspector local.
- **IMPORTANTE** – Cumpla todos los códigos y ordenanzas regulatorias.
- **Nota al instalador** – Asegúrese de dejar estas instrucciones al usuario.
- **Nota al usuario** – Guarde estas instrucciones para consultas futuras.
- La instalación **debe** efectuarla un instalador calificado.
- La instalación adecuada es responsabilidad del instalador.
- Si realiza la instalación sobre una base apilable podrá necesitar un cable de hasta 6 pies de longitud.

**PARA SU SEGURIDAD:**

**ADVERTENCIA:**

- Peligro de descarga eléctrica. Desconecte la energía antes de instalar. No hacerlo puede provocar una lesión personal grave o la muerte.
- Lesiones personales potenciales.
- Se recomienda que más de dos personas levanten la secadora hasta su posición debido a su peso y tamaño. No hacerlo puede provocar una lesión personal o la muerte.
- Evite la inclinación y ruptura de los servicios públicos. La secadora debe estar bien sujeta a la lavadora. NO coloque la lavadora sobre la secadora. Hacerlo puede provocar una lesión personal/la muerte o daños a la propiedad.

**ESPACIO LIBRE MÍNIMO  
EN OTROS ESPACIOS QUE NO SEAN  
INSTALACIONES EN NICHOS  
O ARMARIOS**

Los espacios libres mínimos respecto de superficies combustibles y de aberturas de aire son: 0" a ambos lados y 3"  en el frente y en la parte trasera. Debe tenerse en cuenta un espacio libre adecuado para un funcionamiento y reparación correctos.

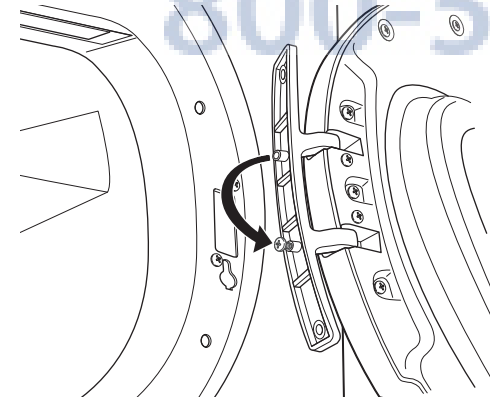
**REQUERIMIENTOS PARA INSTALACIÓN  
EN NICHOS O ARMARIOS**

- Su secadora puede instalarse en un nicho o armario, como se indica en la etiqueta de la parte trasera del aparato.
- Esta secadora **DEBE** tener una ventilación al exterior. Ver la sección SALIDA AL EXTERIOR DE LA SECADORA.
- El espacio libre mínimo entre el armario de la secadora y las paredes adyacentes u otras superficies es:
  - sobre ambos lados
  - sobre el frente y la parte trasera
- El espacio vertical mínimo desde el piso a los estantes superiores, gabinetes, cielorrasos, etc., es de 67" .
- Las puertas del armario deben contar con rejillas u otro tipo de ventilación y tener por lo menos 60 pulgadas cuadradas de espacio abierto igualmente distribuido. Si el armario incluye una lavadora y una secadora, las puertas deben contener un mínimo de 120 pulgadas cuadradas de espacio abierto distribuido uniformemente.

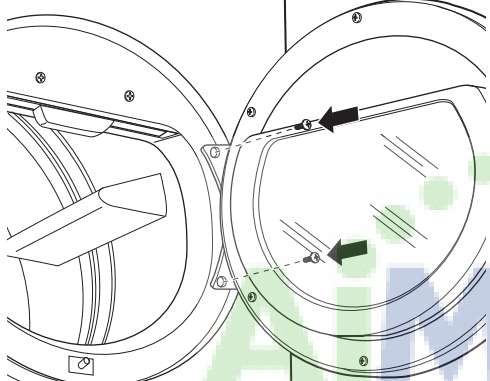
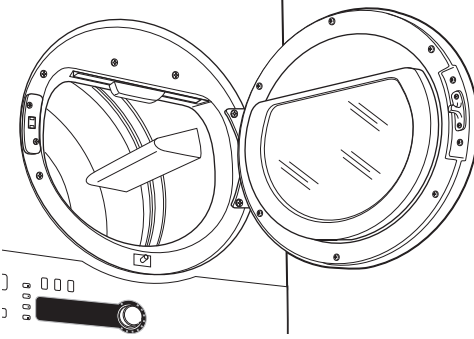
**NOTA:** CUANDO EL CONDUCTO DE SALIDA ESTÁ UBICADO EN LA PARTE TRASERA DE LA SECADORA, EL ESPACIO LIBRE MÍNIMO DESDE LA PARED DEBE SER 5.5 PULGADAS.

**3 VUELVA A COLOCAR EL MONTAJE DE LA PUERTA (CONT.)**

Desplace el tornillo de montaje a la posición superior de orificio de tornillo de la bisagra para que la puerta pueda colocarse en el gabinete durante la instalación final.

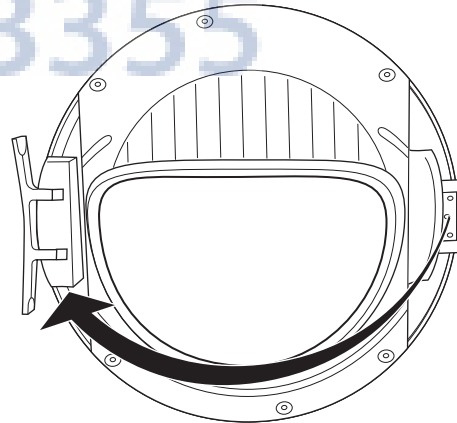


Vuelva a sujetar la bisagra en la parte superior e inferior con los tornillos de montaje de la bisagra.

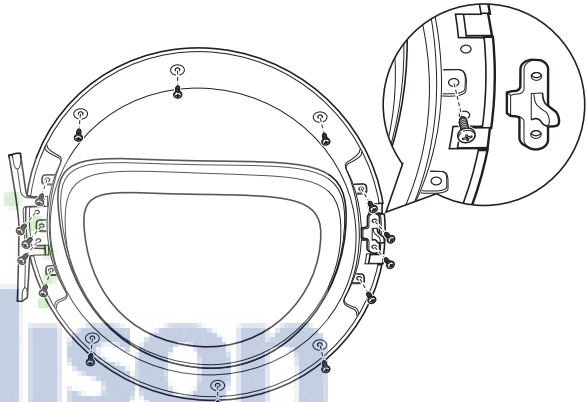



**3 VUELVA A COLOCAR EL MONTAJE DE LA PUERTA**

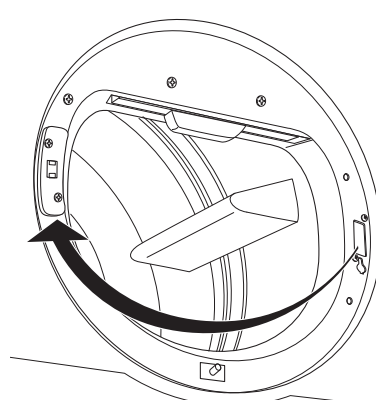
Vuelva a colocar el tornillo de la puerta en el centro del lado opuesto a la bisagra. Luego coloque el extremo macho de la traba dentro de su lugar y sujete con dos tornillos de la puerta.



Coloque todos los tornillos de la puerta que se quitaron.



Quite el extremo macho de la traba del panel frontal de la secadora, gire en 180° y vuelva a colocarlo en el lado opuesto.

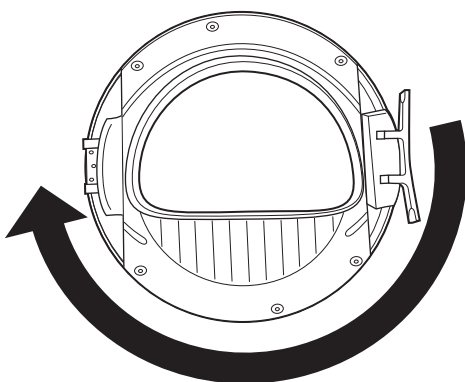


# Instrucciones de instalación

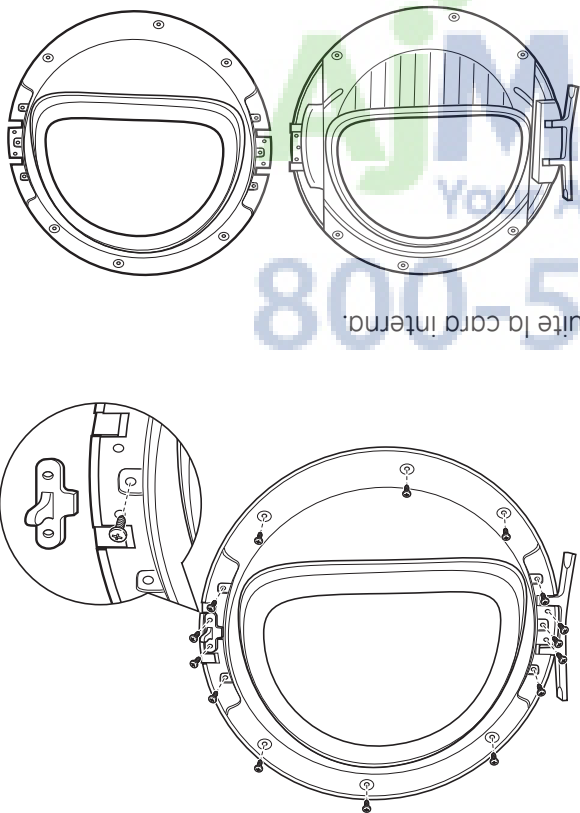
## CÓMO INVERTIR LA APERTURA DE LA PUERTA (si así se desea)

**2 DESARME EL MONTAJE DE LA PUERTA**

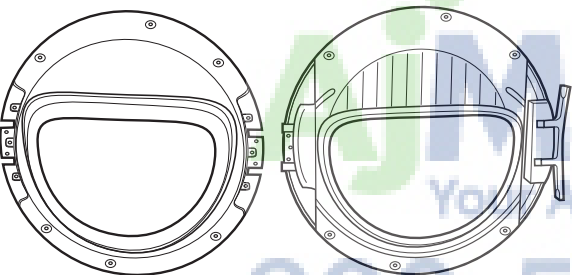
Quite los 16 tornillos de la puerta y el extremo macho de la traba del lado interior de la puerta.



Levante y gire el montaje de la ventana en 180° y vuelva a colocar. También gire la cara interna en 180° y vuelva a instalar.

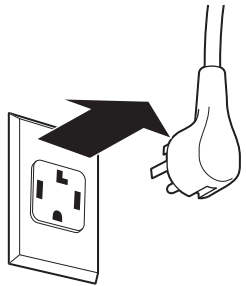


Quite la cara interna.



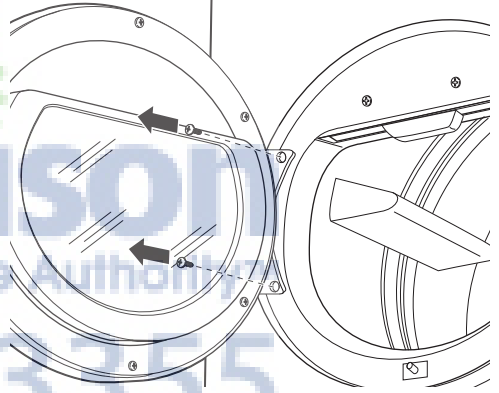
**ANTES DE COMENZAR**

Desenchufe la secadora del tomacorriente.

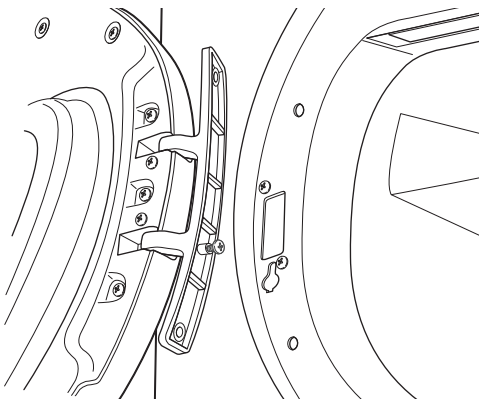


**1 quite el montaje de la puerta**

Quite los tornillos de sujeción del soporte de la bisagra.



Deslice la puerta y el montaje de bisagra hacia arriba; luego quite el montaje del panel frontal de la secadora.



# CÓMO INVERTIR LA APERTURA DE LA PUERTA (si así se desea)

## PIEZAS UTILIZADAS



■ Tornillo de montaje



■ Tornillos de sujeción del soporte de la bisagra



■ Tornillos para puerta y trabas

## NOTAS IMPORTANTES

- Lea todas las instrucciones antes de comenzar.
  - Manipule las piezas con cuidado para no rayar la pintura.
  - Coloque las puertas sobre una superficie de trabajo que no raye.
  - Separe los tornillos por sus piezas relacionadas para evitar usarlos en lugares equivocados.
  - Todos los tornillos deben ajustarse a mano.
  - El tiempo normal utilizado para invertir la apertura de la puerta es de 20-30 minutos.
  - **IMPORTANTE:** Una vez que haya comenzado, no mueva el gabinete hasta haber finalizado la inversión de la apertura de la puerta.
- Estas instrucciones son para cambiar las bisagras del lado derecho al lado izquierdo; si alguna vez desea cambiarlas de nuevo al lado derecho, siga las mismas instrucciones e invierta todas las referencias de izquierda a derecha.

## HERRAMIENTAS NECESARIAS

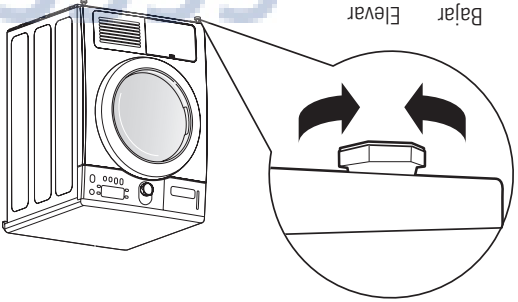


■ Destornillador de estrella

## CONFIGURACIÓN FINAL

**1 NIVEL LA SECADORA**

Coloque la secadora en posición vertical cerca de la ubicación definitiva y ajuste las cuatro patas niveladoras para garantizar que la secadora se encuentre nivelada de lado a lado y del frente a la parte trasera.



**2 ENCHUFE LA SECADORA**

NOTA: Si realiza la instalación sobre una base apilable podrá necesitar un cable de hasta 6 pies de longitud.




**3 INSTRUCCIONES DE CONEXIÓN A TIERRA**

Este electrodoméstico se debe conectar a tierra. En caso de mal funcionamiento o avería, la conexión a tierra reducirá el riesgo de descarga eléctrica, al brindar un camino de menor resistencia para la corriente eléctrica. El electrodoméstico se encuentra equipado con un cable que posee un equipo de conducción a tierra y un enchufe de conexión a tierra. El enchufe se debe colocar en un tomacorriente instalado de forma adecuada y se deberá conectar a tierra de acuerdo con todos los códigos y ordenanzas locales.

**4 INICIO DE LA SECADORA**

Presione el botón **POWER** (encendido).



**POWER**

NOTA: Si la secadora ha sido expuesta a temperaturas bajo cero por un periodo prolongado, deje que suba la temperatura antes de presionar **POWER**. De otra manera, la pantalla no se encenderá.

Su secadora ya está lista para usar.

**REPARACIÓN**

**ADVERTENCIA:** Etiquete todos los cables antes de la desconexión cuando haga reparaciones de los controles. Los errores de cableado pueden provocar un funcionamiento inadecuado y peligroso después de la reparación/instalación.

Para piezas de repuesto y otra información, diríjase a la página 151 para obtener números telefónicos de servicio.

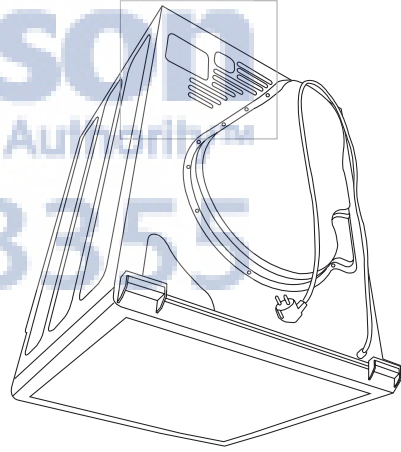
# CONEXIÓN DE LA MANGUERA DE DRENAJE

## DRENAJE DEL AGUA SIN USAR EL TANQUE DE AGUA

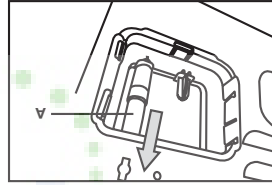
Puede usar la secadora sin usar el tanque de agua, siguiendo los siguientes procedimientos.

## CONEXIÓN DE LA MANGUERA DE DRENAJE

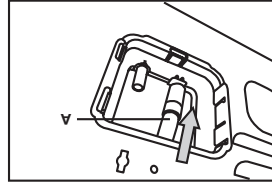
La Secadora puede bombear el agua condensada fuera de la SECADORA, directamente por la manguera de drenaje provista. Los procedimientos para conectar la manguera de drenaje son los siguientes.



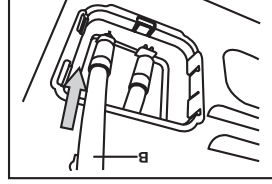
1. Desconecte la manguera de drenaje A..



2. Conecte la manguera de drenaje A al otro agujero.



3. Conecte la manguera complementaria B (manguera de drenaje larga) en forma adyacente a la manguera A.

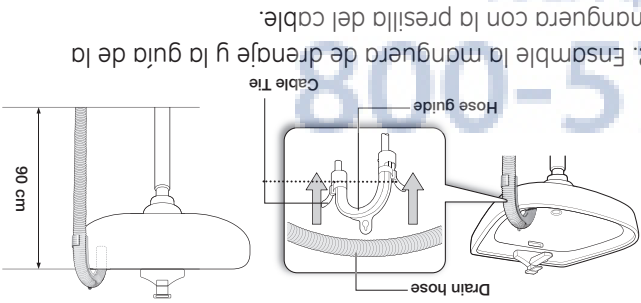


## PRECAUCIÓN:

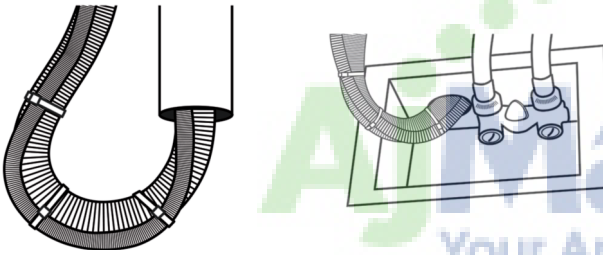
- ❑ Al conectar la manguera B, tenga cuidado de que la altura de la misma no supere los 4 pies.
- ❑ Luego de conectar la manguera de drenaje, puede drenar directamente el agua condensada a un tubo vertical o lavabo.

## CONEXIÓN DE LA MANGUERA DE DRENAJE (CONT.)

1. Sobre el extremo del lavatorio: La manguera debe ser ubicada a una altura inferior a los 4 pies. Si es necesario que el extremo de la manguera de drenaje sea colocado por encima del piso, recomendamos una altura de entre 3 y 4 pies. Para mantener el chorro de la manguera de drenaje inclinado, use la guía para mangueras de plástico suministrada. (Asegure la guía sobre la pared con un gancho o al grifo con un trozo de cuerda, a fin de evitar que la manguera de drenaje se mueva).



2. Ensamble la manguera de drenaje y la guía de la manguera con la presilla del cable.



1. En un tubo vertical: De no contar con una manguera para lavadora, siga las instrucciones para el lavatorio. De contar con una manguera para lavadora, use las presillas para cable provistas a fin de asegurar la conexión entre la manguera de drenaje de la secadora y la manguera de drenaje de la lavadora.

2. Una vez aseguradas, coloque la manguera (o mangueras) en el tubo vertical como se muestra.

**CÓMO CONECTAR UNA SECADORA ELÉCTRICA (cont.)**

**CÓMO CONECTAR LA SECADORA**

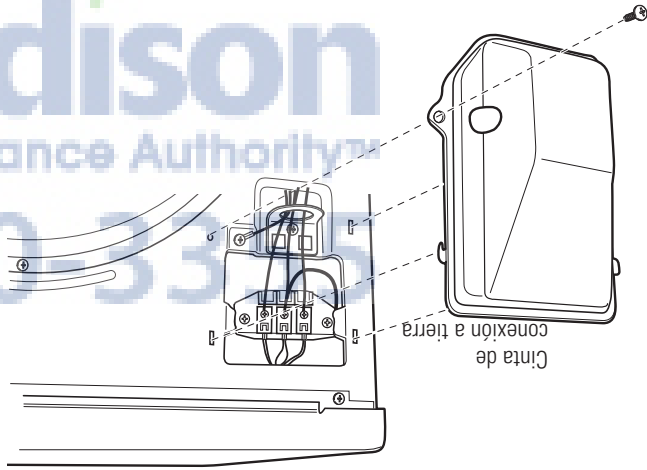
**USANDO UNA CONEXIÓN DE 4 CABLES (DEBE UTILIZARSE EN INSTALACIONES**

**DE CASAS RODANTES)**

**NOTA:** Desde el 1 de enero de 1996, el Código Eléctrico Nacional exige que las nuevas construcciones utilicen una conexión de 4 cables a una secadora eléctrica.

También debe usarse un cable de 4 alambres cuando los códigos locales no permiten una conexión a tierra a través de cable neutral.

NO debe usarse una conexión de tres cables en una construcción nueva.



1. Desactive el disyuntor (30 amperios) o quite el fusible del circuito de la secadora de la caja eléctrica.

2. Verifique que el cable de la secadora esté desenchufado del tomacorriente.

3. Quite la tapa del cable de energía ubicada en la parte trasera superior.

4. Quite el tornillo verde con conexión a tierra y sujete la cinta a tierra a la terminal central junto a la línea neutral (blanca) descrita abajo. Conserve el tornillo verde con conexión a tierra para el Paso 7.

5. Pase el cable de energía a través del soporte. Conecte el cable de energía de la siguiente manera:

6. Conecte los dos cables vivos a los tornillos externos del bloque terminal (marcado L1 y L2).

7. Conecte el cable a tierra del cable de energía con el tornillo verde de conexión a tierra (orificio sobre el soporte de alivio de tensión). Ajuste por completo todos los tornillos (3) del bloque terminal.

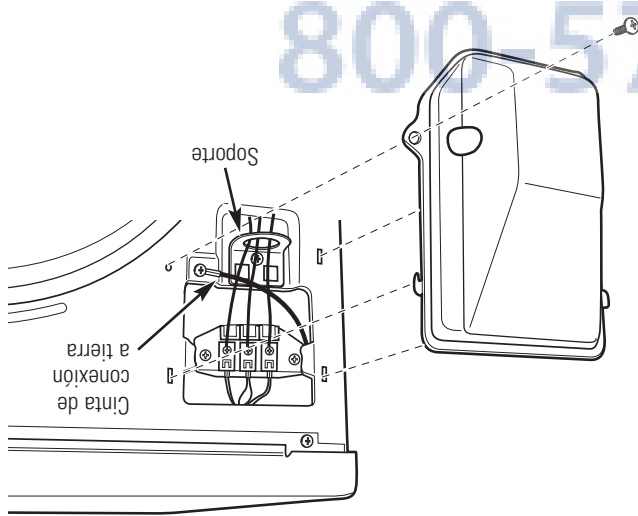
8. Vuelva a instalar la tapa.

**¡ADVERTENCIA!**  
NUNCA OLVIDE DE VOLVER A COLOCAR LA TAPA DEL BLOQUE TERMINAL.

**CÓMO CONECTAR LA SECADORA**

**UTILIZANDO UNA CONEXIÓN**

**DE 3 CABLES**



1. Desactive el disyuntor (30 amperios) o quite el fusible del circuito de la secadora de la caja eléctrica.

2. Verifique que el cable de la secadora esté desenchufado del tomacorriente.

3. Quite la tapa del cable de energía ubicada en la parte trasera superior.

4. Pase el cable de energía a través del soporte. Conecte el cable de energía de la siguiente manera:

5. Conecte los dos cables vivos a los tornillos externos del bloque terminal (marcado L1 y L2).

6. Conecte el cable neutral (blanco) al centro del bloque terminal (marcado N).

7. Vuelva a instalar la tapa.

**¡ADVERTENCIA!**

NUNCA OLVIDE DE VOLVER A COLOCAR LA TAPA DEL BLOQUE TERMINAL.

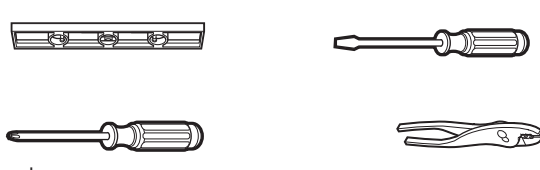
# CÓMO CONECTAR UNA SECADORA ELÉCTRICA

(si se cuenta con una secadora eléctrica, saltar este paso)

## Instrucciones de instalación

### HERRAMIENTAS NECESARIAS

- Pinzas
- Destornillador Phillips
- Destornillador de lados planos
- Nivel



### MATERIALES NECESARIOS

- Kit de cable de energía de la secadora de 6' de largo (no incluido con la secadora)
- Guantes
- Gafas de seguridad

Clasificado UL, de 120/240V, 30A con 3 o 4 patas. Identifique el tipo de enchufe según el tomacorriente de la vivienda antes de comprar el cable. (Se incluye e instala un cable de 4 espigas en los modelos canadienses PCVH480 y PCVH485.) Si realiza la instalación sobre una base apilable podrá necesitar un cable de hasta 6 pies de longitud.

### REQUERIMIENTOS ELÉCTRICOS PARA SECADORAS ELÉCTRICAS

Esta secadora debe conectarse a un circuito derivado individual, con la protección de un disyuntor o fusible de tiempo retardado. Se requiere un circuito de tres o cuatro cables, fase única, 120/240V ó 120/208V, 60Hz y 30 amperios. Si el suministro eléctrico no cumple con dichas especificaciones, entonces llame a un electricista matriculado.

**NOTA:** Para los consumidores canadienses con modelos PCVH480 y PCVH485, no se requiere la instalación del cable. Tenga a bien pasar a la sección siguiente, *Salida al exterior de la secadora*.

### ⚠️ ADVERTENCIA: PARA SU SEGURIDAD:

Antes de efectuar la conexión eléctrica, desactive los disyuntores o quite los fusibles del circuito de la secadora de la caja eléctrica. Verifique que el cable de la secadora esté desenchufado del tomacorriente. NUNCA OLVIDE DE VOLVER A COLOCAR LA TAPA DE ACCESO DEL BLOQUE TERMINAL.



### INFORMACIÓN SOBRE CONEXIÓN ELÉCTRICA DE LAS SECADORAS ELÉCTRICAS

### ⚠️ ADVERTENCIA: Para reducir el riesgo de incendio, descarga eléctrica y lesiones personales:

- No utilice un cable de extensión o un enchufe adaptador con este artefacto.
- La secadora debe contar con una conexión eléctrica a tierra en cumplimiento con los códigos y ordenanzas locales, o si éstos no existieran, de acuerdo con el CÓDIGO ELÉCTRICO NACIONAL, ANSI/NFPA No. 70.

### INSTRUCCIONES DE CONEXIÓN A TIERRA

Esta secadora debe conectarse a un sistema de cableado permanente con conexión a tierra o debe utilizarse un conductor de conexión a tierra del equipamiento con los conductores de circuito y conectarse a la terminal de conexión a tierra del artefacto.

## INSTALACIÓN EN CASAS MÓVILES O PREFABRICADAS

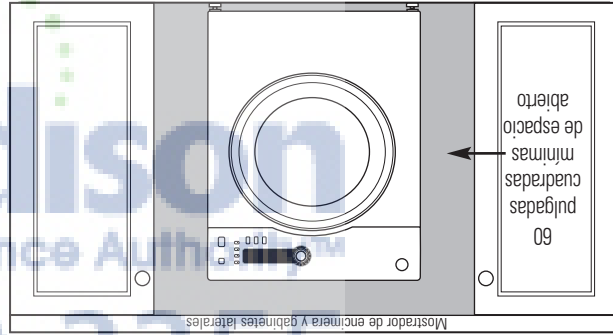
- La instalación debe cumplir con la NORMA SOBRE CONSTRUCCIÓN Y SEGURIDAD DE CASAS PREFABRICADAS, TÍTULO 24, PARTE 32-80 o, cuando dicha norma no sea aplicable, con la NORMA NACIONAL ESTADOUNIDENSE PARA CASAS MÓVILES, Nº 501B.
- Debe contar con una abertura con un espacio libre de por lo menos 25 pulgadas cuadradas para el ingreso de aire exterior dentro del cuarto de la secadora.

## INSTALACIÓN EN BAÑOS O DORMITORIOS

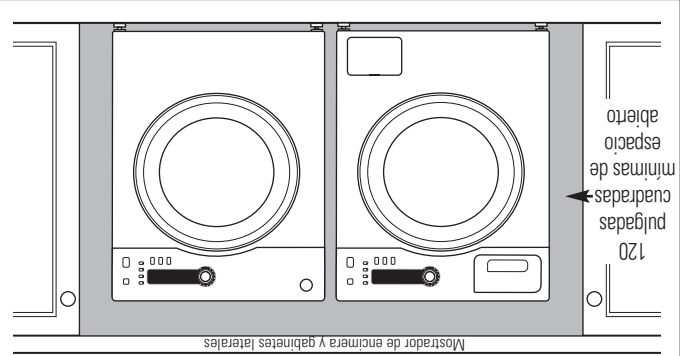
- Esta secadora DEBE tener una ventilación al exterior. Ver SALIDA AL EXTERIOR DE LA SECADORA.
- La instalación debe cumplir con los códigos locales o, si no los hubiera, con el CÓDIGO NACIONAL ELÉCTRICO, ANSI/NFPA NC. 70 (para secadoras eléctricas) o el CÓDIGO NACIONAL DE GAS, ANSI Z223 (para secadoras a gas).

## INSTALACIÓN BAJO EL MOSTRADOR DE ENCIMERA

- Si desea una instalación bajo mostrador de encimera:
  - No se necesita un kit especial de instalación de secadoras.
  - Si la secadora se instala sola, se necesita un mínimo de 60 pulgadas cuadradas de espacio abierto. Si la lavadora y la secadora se instalan juntas, se necesita un mínimo de 120 pulgadas cuadradas de espacio abierto.

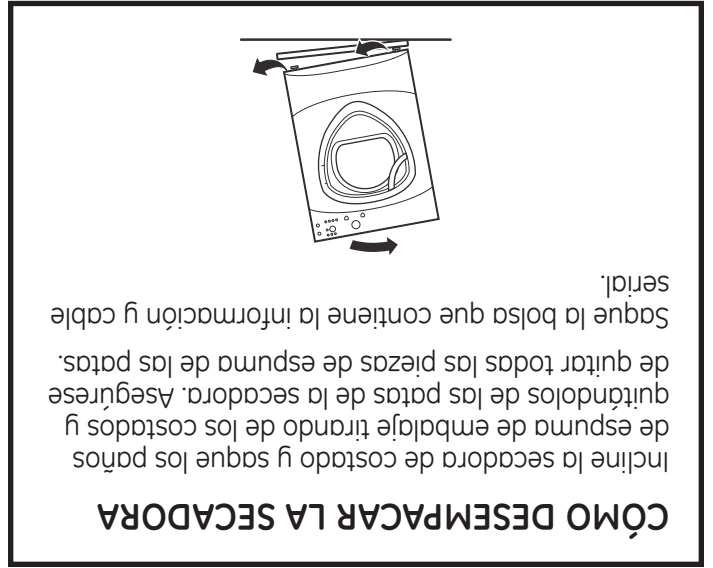
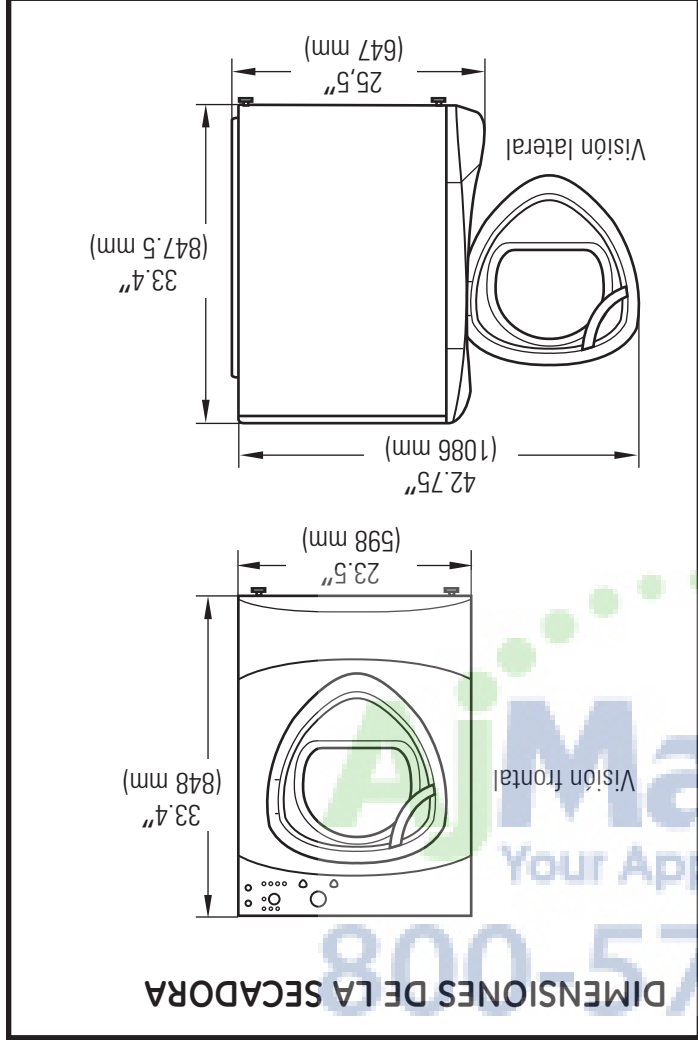


Secadora instalada sola



Lavadora y secadora instaladas juntas

**AjMadison**  
Your Appliance Authority  
800-570-3377

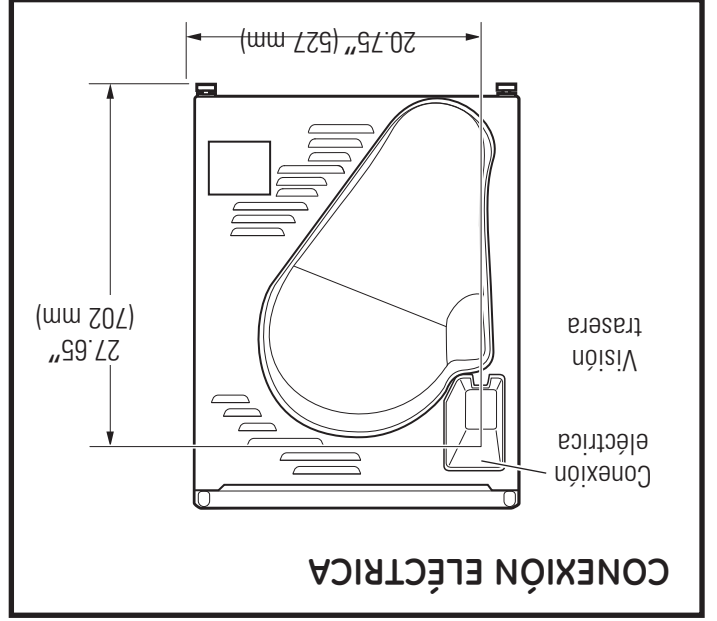


**ESPACIO LIBRE MÍNIMO EN OTROS ESPACIOS QUE NO SEAN INSTALACIONES EN NICHOS O ARMARIOS**

Los espacios libres mínimos respecto de superficies combustibles y de aberturas de aire son:

- Un espacio libre de 0 pulgadas sobre ambos lados
- 3 pulgadas hacia el frente y atrás

**Debe tenerse en cuenta un espacio libre adecuado para un funcionamiento y reparación correctos.**



# Instrucciones de instalación

# Secadora DCCH480EK, DCCH485EK

Si tiene alguna pregunta, llame a 800.GE.CARES (800.432.2737) o visite nuestro sitio Web en: GEAppliances.com

Si planea apilar la lavadora y secadora, solicite el kit de apilado número GE245TACK para usar con esta secadora. El kit se vende por separado.

## ANTES DE COMENZAR

Lea detenidamente todas las instrucciones.

### • IMPORTANTE – Guarde estas instrucciones para uso del inspector local.

### • IMPORTANTE – Cumpla todos los

códigos y ordenanzas regulatorias.

Instale la secadora de acuerdo con las

instrucciones

del fabricante y los códigos locales.

• **Nota al instalador** – Asegúrese de dejar estas

instrucciones al usuario.

• **Nota al usuario** – Guarde estas instrucciones

para consultas futuras.

• La instalación de la secadora debe efectuarse

un instalador calificado.

• Antes de que la secadora antigua sea retirada

del servicio o eliminada, quitele la puerta.

• La información sobre reparaciones y el diagrama

del cableado se encuentran en la consola de

control.

• No permita que niños se suban o se metan dentro

del artefacto. Se requiere una supervisión estricta

cuando el artefacto es utilizado cerca de niños.

• La instalación adecuada es responsabilidad

del instalador.

• La garantía no cubre fallas producidas por

la instalación inadecuada del producto.

• Para reducir el riesgo de una lesión grave o

de muerte, cumpla con todas las instrucciones

de instalación.

• Instale la secadora en lugares donde la

temperatura sea mayor a 50°F para un

funcionamiento satisfactorio del sistema

de control de la secadora.

### Riesgo de incendio

## PARA SU SEGURIDAD: ⚠️ ADVERTENCIA:

• Para reducir el riesgo de una lesión grave o de muerte, cumpla con todas las instrucciones de instalación.

• La instalación de la secadora de ropa debe efectuarse

un instalador calificado.

• Instale la secadora de ropa de acuerdo con estas instrucciones y con los códigos locales.

• No instale o almacene este aparato en un lugar

donde se vea expuesto al agua y/o a las

inclemencias del tiempo.

• Guarde estas instrucciones. (Instalador: Asegúrese de dejar estas instrucciones al consumidor).

### Cómo Vaciar el Tanque de Agua

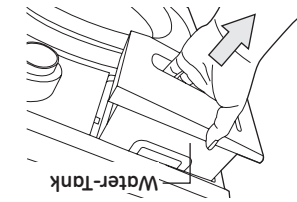
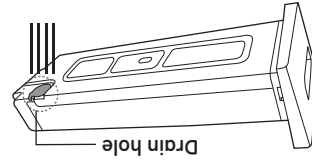
1. Retire el tanque de agua.

**PRECAUCIÓN:** Al retirar el tanque de Agua del producto, deberá sostenerlo con ambas manos ya que es pesado y deberá evitar derramar agua dentro del mismo

- Retire el agua condensada dentro del tanque de agua.
- Retire el agua condensada del tanque luego de cada ciclo de secado.

**ADVERTENCIA:** Debido a que existe la posibilidad de que se produzcan goteos de agua si no se drena el agua luego de usar el producto, asegúrese de drenar la misma.

**NOTA:** Cuando la luz que indica que el Tanque está lleno esté "encendida", la secadora no funcionará hasta que el tanque se vacíe y la luz de advertencia esté apagada. Presione el botón START (Iniciar) y la luz indicadora se apagará y la secadora reiniciará el ciclo.



### Cómo limpiar el condensador

1. Abra la tapa del compartimiento del condensador.

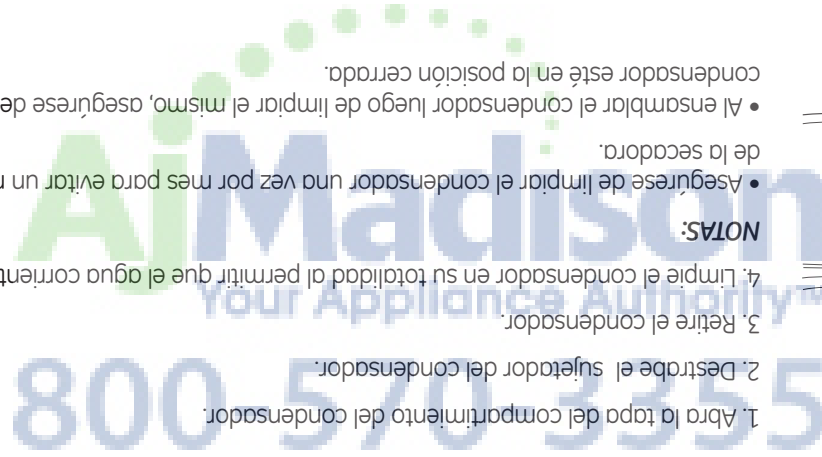
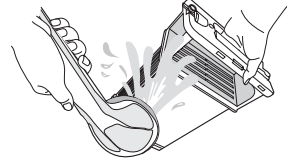
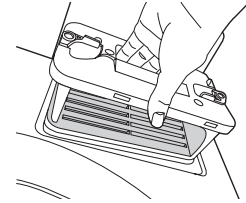
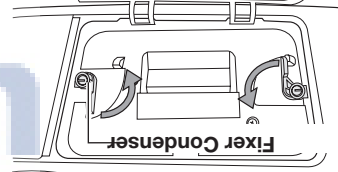
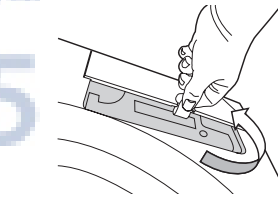
2. Destabe el sujetador del condensador.

3. Retire el condensador.

4. Limpie el condensador en su totalidad al permitir que el agua corriente circule por éste.

#### NOTAS:

- Asegúrese de limpiar el condensador una vez por mes para evitar un menor rendimiento de la secadora.
- Al ensamblar el condensador luego de limpiar el mismo, asegúrese de que el sujetador del condensador esté en la posición cerrada.



Siempre siga las instrucciones de la etiqueta del fabricante de la prenda cuando realice los lavados.

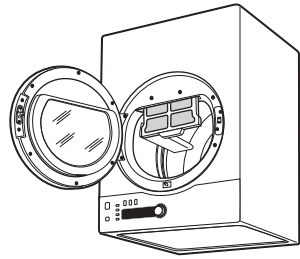
**Consejos de clasificación y carga**

Como regla general, si las prendas están bien clasificadas para la lavadora, estarán bien clasificadas para la secadora. También trate de clasificar las prendas de acuerdo al tamaño. Por ejemplo, no seque una sábana con medias u otros elementos pequeños. No agregue suavizante de telas una vez que la carga se ha calentado. Esto puede provocar manchas de suavizante. El acondicionador de telas Bounce® en hojas para secadoras ha sido aprobado

para su uso en esta secadora cuando se utiliza de acuerdo con las instrucciones del fabricante. Ver abajo para las instrucciones de limpieza del filtro de pelusas. **No la sobrecargue.** Eso malgasta energía y provoca arrugas. **No seque los siguientes elementos:** Productos de fibra de vidrio, prendas de lana, productos revestidos en caucho, plásticos, productos con ribetes plásticos y rellenos con espuma.

**Etiquetas sobre cuidado de las telas**

A continuación incluimos los "símbolos" de las etiquetas sobre cuidado de las telas que podrían afectar a las ropas que está lavando.



**Cuidado y limpieza de la secadora**

de pelusas en agua tibia jabonosa. Seque bien y vuelva a colocar. No opere la secadora sin el filtro de pelusas en su lugar. Pase la aspiradora al filtro de pelusas si nota un cambio en el desempeño de la secadora. **Acero inoxidable:** Para limpiar superficies de acero inoxidable, utilice un paño húmedo con un limpiador suave y no abrasivo para superficies de acero inoxidable. Quite los restos de limpiador y luego seque con un paño limpio. El acero inoxidable utilizado para fabricar el tambor de la secadora ofrece la mayor confiabilidad de una secadora GE. Si el tambor de la secadora se raya o abolla durante un uso normal, éste no se oxidará o corroerá. Estas imperfecciones de la superficie no afectan la función o durabilidad del tambor.

**Interior de la Secadora:** El interior del electrodoméstico se debería limpiar una vez por año. **Parte externa:** Limpie los derrames o compuestos de limpieza con un paño húmedo. El panel de control y los acabados de la secadora pueden resultar dañados por productos removedores de manchas y suciedad utilizados como tratamiento previo al lavado. Aplique estos productos lejos de la secadora. La tela luego puede lavarse y secarse de manera normal. Los daños provocados a su secadora por estos productos no están cubiertos por la garantía. No toque la superficie o la pantalla con objetos afilados.

**Condensador:** El condensador se debería limpiar una vez por mes.

**El filtro de pelusas:** Limpie el filtro de pelusas antes de cada uso. Quite el filtro de pelusas por acumulación cerrosa en el filtro de pelusas por utilizar suavizantes de telas para secadora en hojas. Para quitar esta acumulación, lave el filtro

**Sobre las opciones de ciclo.**

**NOTA:** No todas las características se encuentran disponibles en todos los modelos de secadora. [GEAppliances.com](http://GEAppliances.com)

**Lock (bloqueo)**

Se pueden bloquear los controles para evitar que se hagan otras selecciones. O se pueden bloquear los controles después de iniciado un ciclo.

Cuando se selecciona esta opción,

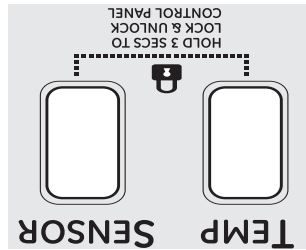
los niños no pueden encender la secadora accidentalmente presionando los botones.

Para bloquear la secadora, presione y sostenga los botones **TEMP** y **SENSOR** al mismo tiempo durante 3 segundos.

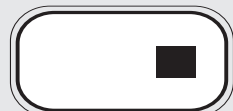
Para desbloquear los controles de la secadora, presione y sostenga los botones **TEMP** y **SENSOR** al mismo tiempo durante 3 segundos.

El icono de bloqueo de control de la pantalla se prenderá cuando esté encendido.

**NOTA:** El botón **POWER** (encendido) puede utilizarse aún cuando la máquina esté bloqueada.



**SIGNAL** (señal)



Cuando la luz está encendida, la secadora emitirá un pitido al final del ciclo y cada vez que se presione un botón del panel de control.

Para apagar la señal, presione el botón **SIGNAL** (señal) y la luz se apagará.

800-570-3355

Your Appliance Authority™

**Indicador de Tanque Lleno**

que el tanque esté vacío y la luz de advertencia esté apagada.

Cuando la luz esté "encendida", deberá vaciar el tanque antes de continuar usando la secadora.

Retire el tanque y vacíe el agua.

Reemplacé el tanque y apague la luz de advertencia. (Lea la página 11).

**NOTA:** La secadora no funcionará hasta



## Sobre las opciones de ciclo

NOTA: No todas las características se encuentran disponibles en todos los modelos de secadora.



### Extend Tumble (Culbutage prolongé)

Réduit le froissement en ajoutant environ 20 minutes de culbutage sans chauffage par intermittence après séchage des vêtements. La sécheuse est en mode **EXTENDED TUMBLE** (culbutage prolongé) quand l'affichage **ESTIMATED CYCLE TIME** (temps de cycle estimé) est illuminé dans une façon circulaire.



### Delay Start (Inicio retardado)

Utilícelo para retardar el inicio de su secadora. Elija un ciclo de secado y cualquier otra opción.

1. Presione **DELAY START**. Usted puede cambiar el tiempo de inicio retardado en unidades de 1/2 hora utilizando los botones de flecha  $\leftarrow$  o  $\rightarrow$ .
2. Presione **START/PAUSE** (inicio/pausa) para iniciar la cuenta regresiva.
3. El tiempo restante podrá verse en la pantalla de **ESTIMATED TIME REMAINING** (tiempo restante estimado).



La luz de alrededor del botón se encenderá cuando **DELAY START** esté funcionando.

#### NOTAS:

- Si la puerta se abre mientras **DELAY** la secadora se encuentra en **DELAY** (retardo), la cuenta regresiva no volverá a iniciarse a menos que la puerta esté cerrada y el botón **START/PAUSE** se haya presionado de nuevo.
- Se puede retardar el inicio de un ciclo de secado hasta 24 horas.

Le voyant à côté de la touche s'allume lorsque l'option **EXTEND TUMBLE** est en fonction.

**REMARQUE :** Il est normal que le tambour s'arrête à intervalles réguliers pendant l'**EXTEND TUMBLE** (culbutage prolongé).

**5 Dry Temp (temperatura de secado)**

Usted puede cambiar la temperatura de su ciclo de secado.

**ANTI-BACTERIAL** Esta opción sólo puede usarse con los ciclos **COTTONS (algodones)** o **MIXED LOAD (carga**

**mixta)**. Esta opción reduce el 99,9% de ciertos tipos de bacterias, por ejemplo:

*Staphylococcus aureus*, *Pseudomonas aeruginosa* y *Klebsiella pneumoniae*\*. El proceso

antibacterial ocurre cuando se utiliza calor elevado durante una parte del ciclo de secado.

**NOTA: No use este ciclo con telas delicadas.**

Para algodones normales a pesados.

**HIGH**

Para sintéticos, mezclas y prendas marcadas como planchado permanente.

**MEDIUM**

Para delicados, sintéticos y prendas marcadas como *Tumble Dry Low* (secado bajo en

**LOW**

secadora).

Para lencería y telas delicadas.

**EXTRA LOW**

**6 START/PAUSE (inicio/pausa)**

Presione para comenzar un ciclo de secado. Si la secadora está funcionando, presione una vez y la secadora se detendrá. Presione de nuevo para volver al ciclo de secado.

**FILTRO DE PELUSA LIMPIO (mensaje)**

Este mensaje permanece activado hasta que el botón de pulsar **START**. Este mensaje es sólo un

recordatorio.



# Sobre el panel de control de la secadora.

Instrucciones de seguridad

Instrucciones de funcionamiento

Consejos para la solución de problemas

Soporte al consumidor

## 2 Dry Cycles (ciclos de secado)

El ciclo de secado controla el tiempo para el proceso de secado. La tabla siguiente lo ayudará a combinar la configuración de tiempo de secado con las cargas.

### Sensor Cycles (ciclos con sensor)

<b>COTTONS</b>	Para algodones y la mayoría de los linos.
<b>NORMAL/ MIXED LOAD</b>	Para cargas que cuentan con algodones y mezclas de poliéster.
<b>WRINKLE FREE</b>	Para prendas libres de arrugas/cuidado sencillo y de planchado permanente.
<b>ACTIVE WEAR</b>	Prendas utilizadas para ejercicio físico activo y algunas prendas informales. Las telas incluyen acabados de tecnología nueva y fibras elásticas como el Spandex.
<b>DELICATES</b>	Para lencería y telas delicadas.
<b>SPEED DRY</b>	Para cargas pequeñas que se necesitan cuando antes, como uniformes deportivos o escalaras. También puede usarse si el ciclo anterior dejó húmedas algunas partes, como cuellos o cinturas.

### Timed Dry Cycles (ciclos de secado temporizado)

<b>DEWRINKLE</b>	Para quitar arrugas de prendas que se encuentran secas o apenas húmedas. No se recomienda este ciclo para telas delicadas.
<b>WARM UP</b>	Brinda 10 minutos de calentamiento de las ropas.
<b>AIR FLUFF</b>	Utilice esta característica para secar prendas sin calor.

## 3

### Timed Dry (secado temporizado)

Utilice para configurar su propio tiempo de secado. **TIMED DRY** también se recomienda para pequeñas cargas.

Para usar **TIMED DRY**:

1. Gire la perilla de ciclo de secado a **TIMED DRY**.
2. Seleccione el tiempo de secado presionando los botones y . Usted puede incrementar el tiempo en unidades de 10 minutos hasta 2 1/2 horas.
3. Seleccione **DRY TEMP** (temperatura de secado).
4. Cierre la puerta.
5. Presione **START/PAUSE** (inicio/pausa).

## 4

### Sensor Dry Level (nivel de secado con sensor)

El sensor continuamente monitorea la cantidad de humedad de la carga. Cuando la humedad de sus ropas alcanza su nivel de secado seleccionado, la secadora se detendrá.

<b>EXTRA DRY</b>	Para telas muy resistentes o prendas que deben estar muy secas, como las toallas.
<b>MORE DRY</b>	Úselo para telas pesadas o de tipo mixto.
<b>DRY</b>	Úselo para un nivel de secado normal adecuado para la mayoría de las cargas. Este es el ciclo preferido para ahorrar energía.
<b>LESS DRY</b>	Úselo para telas más livianas (ideal para planchado).
<b>DAMP</b>	Para dejar las prendas parcialmente húmedas.

**Nota:** Los niveles del sensor seco sólo se pueden seleccionar en un ciclo seco sensorial.

# Sobre el panel de control de la secadora.

## ⚠️ ¡ADVERTENCIA!

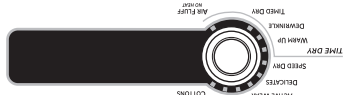
Para reducir el riesgo de incendio, descarga eléctrica o lesiones a personas, lea las INSTRUCCIONES IMPORTANTES DE SEGURIDAD antes de utilizar este aparato.  
 A lo largo de este manual, las características y apariencia pueden ser diferentes a las de su modelo.

### Inicio rápido

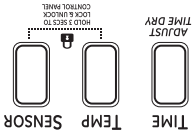
1 Presione el botón **POWER**.  
 Si la pantalla está oscura, presione el botón **POWER** (encendido) para "despertar" la pantalla.



2 Seleccione un ciclo girando la perilla **Cycle** (ciclo).



3 Si seleccionó **SENSOR CYCLE** (ciclo con sensor) sólo presione el botón **START/PAUSE** (inicio/pausa).



Si seleccionó un **TIMED DRY** **CYCLE** (ciclo de secado temporizado), elija su configuración de calor y el tiempo de secado que prefiere mediante los botones del cursor. Luego presione el botón **START/PAUSE**.

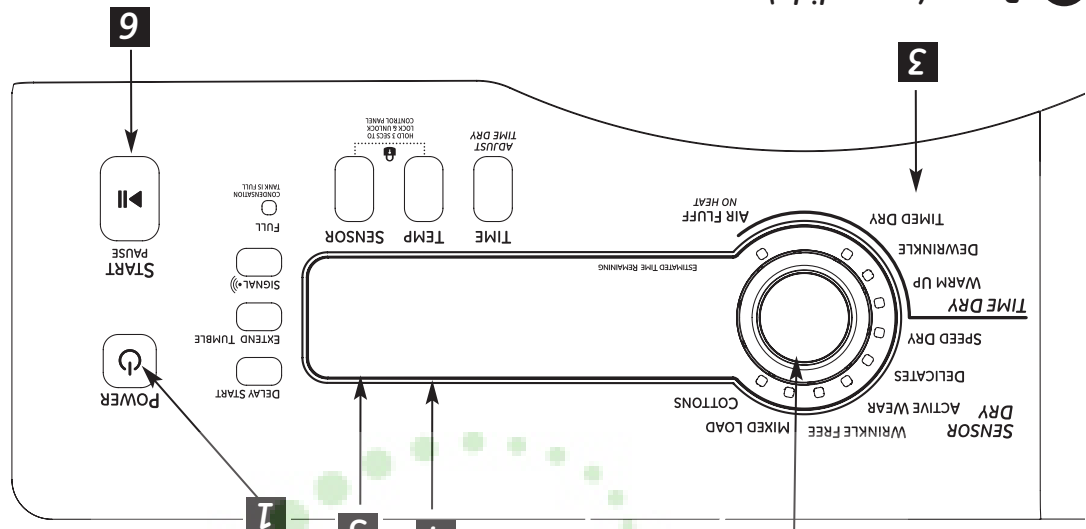
### Instrucciones de seguridad

### Instrucciones de funcionamiento

### Consejos para la solución de problemas

### Soporte al consumidor

1 Presione para "despertar" la pantalla. Si la pantalla está activa, presione para apagar la secadora.  
**NOTA:** Presionar **POWER** no desconecta el artefacto del suministro de energía.



# INFORMACIÓN IMPORTANTE DE SEGURIDAD. LEA TODAS LAS INSTRUCCIONES ANTES DE USAR.

Instrucciones  
de seguridad

## ¡ADVERTENCIA!



- Nunca trate de utilizar este artefacto si está dañado, parcialmente desarmado, funciona mal, o tiene piezas rotas o faltantes, incluyendo un cable o enchufe dañados.
- Limpie el condensador una vez por mes con agua solamente. Si no limpia el condensador, el rendimiento de la secadora se verá reducido.

## CUANDO USE SU SECADORA (cont.)

- Quizás desee suavizar las telas o reducir la electricidad estática de ellas utilizando un suavizante de telas aplicado en la secadora o un acondicionador anti-estática. Recomendamos que use un suavizante de telas en el ciclo de lavado, de acuerdo con las instrucciones del fabricante de dichos productos, o que pruebe un producto para uso en secadoras del cual el fabricante ofrezca una garantía escrita en el paquete de que su producto puede usarse en forma segura en la secadora. Los arreglos o problemas de funcionamiento provocados por el uso de tales productos son responsabilidad de los fabricantes de dichos productos y no se encuentran cubiertos por la garantía de este artefacto.

Instrucciones  
de funcionamiento



## CUANDO NO USA SU SECADORA

- Tome el enchufe con firmeza cuando desconecte este artefacto para no dañar el cable mientras tira del mismo. Coloque el cable alejado de áreas de tránsito para que nadie lo pise, lo dañe o se tropiece con él.
- No trate de reparar o cambiar ninguna pieza de este artefacto ni trate de efectuar arreglos a menos que se recomiende en este Manual de usuario o en instrucciones de reparación publicadas que usted comprada y cuente con las habilidades para efectuarlas.

# 800-570-3355

Consejos para la solución  
de problemas



## LEA Y SIGA ESTA INFORMACIÓN DE SEGURIDAD CUIDADOSAMENTE

## GUARDE ESTAS INSTRUCCIONES

Soporte al consumidor

# ¡ADVERTENCIA!

## SU ÁREA DE LAVADERO



- Mantenga el área debajo y alrededor de sus artefactos libre de materiales combustibles (pelusas, papel, trapos, etc.), gasolina, químicos y otros vapores y líquidos inflamables.
- Mantenga el piso cercano a sus artefactos limpio y seco para reducir la posibilidad de resbalarse.
- Se requiere una supervisión estricta cuando cualquier artefacto es utilizado por niños o en su cercanía. No permita que los niños jueguen sobre, con o dentro de este o cualquier otro artefacto.

## CUANDO USE SU SECADORA



- Nunca introduzca las manos dentro de la secadora mientras el tambor esté en movimiento. Antes de cargar, descargar o agregar ropa, espere a que el tambor se haya detenido por completo.
- Limpie el filtro de pelusa antes de cada carga para evitar la acumulación de pelusa dentro de la secadora o dentro de la habitación.
- **NO HAGGA FUNCIONAR LA SECADORA SIN EL FILTRO DE PELUSAS O EL CONDENSADOR EN SU LUGAR.**
- No lave o seque artículos que se hayan limpiado, lavado, sumergido o manchado con sustancias combustibles o explosivos (tales como cera, aceite, pintura, gasolina, desgrasantes, solventes para limpieza en seco, querosén, etc.). Estas sustancias emiten vapores que pueden encenderse o explotar. No agregue estas sustancias al agua del lavado. No utilice o coloque estas sustancias alrededor de su lavadora o secadora durante el funcionamiento.
- No coloque elementos expuestos a aceites comestibles dentro de su secadora. Los elementos contaminados con aceites para cocinar pueden generar una reacción química que podría provocar que una carga de ropa se prenda fuego.
- Cualquier artículo que se haya utilizado con solventes de limpieza o que contenga materiales inflamables (tales como trapos de limpieza, trapeadores, toallas utilizadas en salones de belleza, restaurantes o peluqueros, etc.) no deben colocarse dentro o cerca de la secadora hasta que los solventes o materiales inflamables se hayan eliminado. Existen muchos productos altamente inflamables en los hogares, tales como acetona, alcohol desnaturalizado, gasolina, querosén, algunos removedores de manchas, aguarrás, ceras, destilados de petróleo.
- El proceso de lavado puede reducir la resistencia

- Mantenga los elementos de lavado (tales como detergentes, lejías, etc.) fuera del alcance de los niños, preferentemente en un gabinete cerrado con llave. Cumpla con todas las advertencias de las etiquetas para evitar lesiones.
- Nunca se suba o pare sobre la secadora.

- Para minimizar la posibilidad de una descarga eléctrica, desenchufe este artefacto del suministro de energía o desconecte la secadora desde el panel de distribución doméstico quitando los fusibles o apagando el disyuntor antes de realizar mantenimiento o limpiar (excepto la remoción y limpieza del filtro de pelusas).
- **NOTA:** Presionar **START/PAUSE** (inicio/pausa) o **POWER** (encendido) **NO** desconecta el artefacto del suministro de energía.
- Vacíe el tanque de agua una vez completado el ciclo de secado.
- Nunca active la secadora sin haber instalado el condensador.

**INFORMACIÓN IMPORTANTE DE SEGURIDAD. LEA TODAS LAS INSTRUCCIONES ANTES DE USAR.**

**!ADVERTENCIA!**

Para su seguridad, debe cumplirse con la información de este manual a fin de minimizar el riesgo de incendio o explosión, descarga eléctrica o para prevenir daños a la propiedad, lesiones personales o la muerte.

No almacene o use gasolina u otros vapores o líquidos inflamables cerca de este o cualquier otro artefacto. La instalación y servicio técnico deben realizarse un instalador calificado, una agencia de servicio o el proveedor de gas.



**INSTALACIÓN ADECUADA**

Esta secadora debe instalarse de manera adecuada y ubicarse de acuerdo con las instrucciones de instalación antes de comenzar el uso. Las instrucciones de instalación están incluidas en la parte trasera de esta manual.

**Salida al exterior/Conductos**

- Conecte a tierra la secadora para cumplir con los códigos y ordenanzas vigentes. Siga los detalles de las instrucciones de instalación.
- Almacene e instale el artefacto donde no sufrirá temperaturas bajo cero o condiciones climáticas externas.
- Conecte a un circuito de suministro de energía con clasificación, protección y tamaño adecuados para evitar una sobrecarga eléctrica.
- Quite todos los elementos de empaque filosos y elimine todos los materiales de empaque correctamente.

- 1 Las secadoras **DEBEN** tener una salida al exterior para evitar que grandes cantidades de humedad y pelusas queden dentro de la habitación.
  - 2 Use sólo conductos rígidos de metal de 4" de diámetro dentro del gabinete de la secadora. Utilice sólo conductos rígidos o flexibles de metal de 4 pulgadas de diámetro para la salida al exterior. Nunca use conductos de plástico u otros conductos combustibles fáciles de perforar.
- Para detalles completos, siga las instrucciones de instalación.

Se encuentran en una etiqueta en el frente de la secadora detrás de la puerta.

Escriba los números de modelo y de serie aquí:  
Modelo # \_\_\_\_\_  
Serie # \_\_\_\_\_

# GUARDE ESTAS INSTRUCCIONES



800-570-3355

<b>Instrucciones de seguridad</b> .....	2-4
<b>Instrucciones de funcionamiento</b>	
Características	
de la secadora .....	10, 11
Cómo usar la secadora .....	12
Controles .....	5-8
Guía de inicio rápido .....	5
Opciones de ciclo .....	9, 10
<b>Instrucciones de instalación</b>	
Antes de comenzar .....	12, 13
Cómo conectar una secadora eléctrica .....	15, 16
CONEXIÓN DE LA MANGUERA .....	
DE DRENAJE .....	17
CÓMO INVERTIR LA APERTURA DE LA PUERTA .....	19-21
CÓMO APILAR LA LAVADORA Y LA SECADORA .....	22-24
Ubicación de la secadora .....	14
<b>Consejos para solución de problemas</b> .....	27-29
<b>Soporte al consumidor</b>	
Garantía (EE.UU.) .....	30
Soporte al consumidor .....	30