

Product Features

Compatible with 36" wide Professional Wall Hoods

Perfect match to stainless steel finish of the Thermador Professional Wall Hoods

Two pieces included in the telescoping design

Telescoping design

Lower duct cover piece is 11" Tall; Upper duct cover piece is 14-1/16" tall

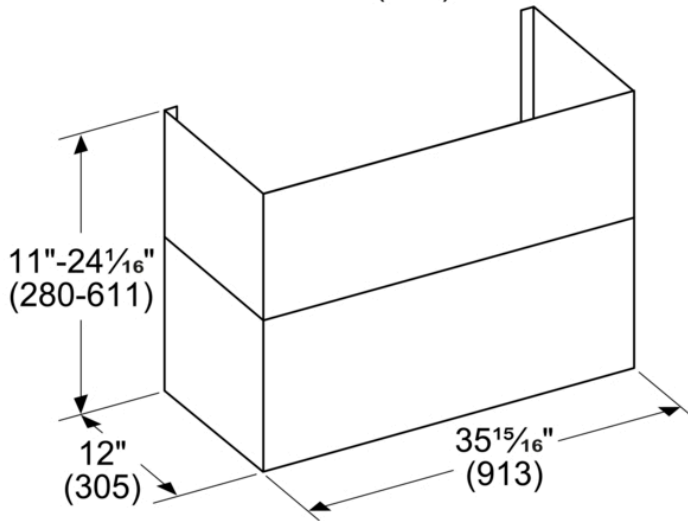
Can also be installed with only lower duct cover piece

Notes: Please refer to installation instructions. Installation instructions are available at www.thermador.com. Specifications are correct at the time of printing. Thermador reserves the right to change product specifications and design at any time, without notice.

1 800 735 4328 | WWW.THERMADOR.COM | 1901 Main Street, Suite 600 Irvine, CA 92614

©2023 BSH HOME APPLIANCES CORPORATION, ALL RIGHTS RESERVED LITHO DATE: 05/2023

measurements in inches (mm)



Product Features

Product group	Accessory
Brand	Thermador
SKU	DC3689W
Internal article number	00000000023000920
EAN code	825225962045
Product packaging dimensions (HxWxD)	19 7/8" x 23 5/8" x 16 7/8"
Net weight	18.000
Gross weight	20.000
UPC code	825225962045
Product image	12846886_DC3689W_def.jpg

Technical Specification

Notes: Please refer to installation instructions. Installation instructions are available at www.thermador.com. Specifications are correct at the time of printing. Thermador reserves the right to change product specifications and design at any time, without notice.