

## SPECIFICATIONS

### VESSEL LAVATORY

#### Model

DC037341

#### Description

- 21 1/8" w x 16 3/4" d x 6 5/8" h
- Single hole faucet mount

#### Standards



MEET ASME  
A112.19.2



#### Warranty

Five Year Limited Warranty (Vitreous China)

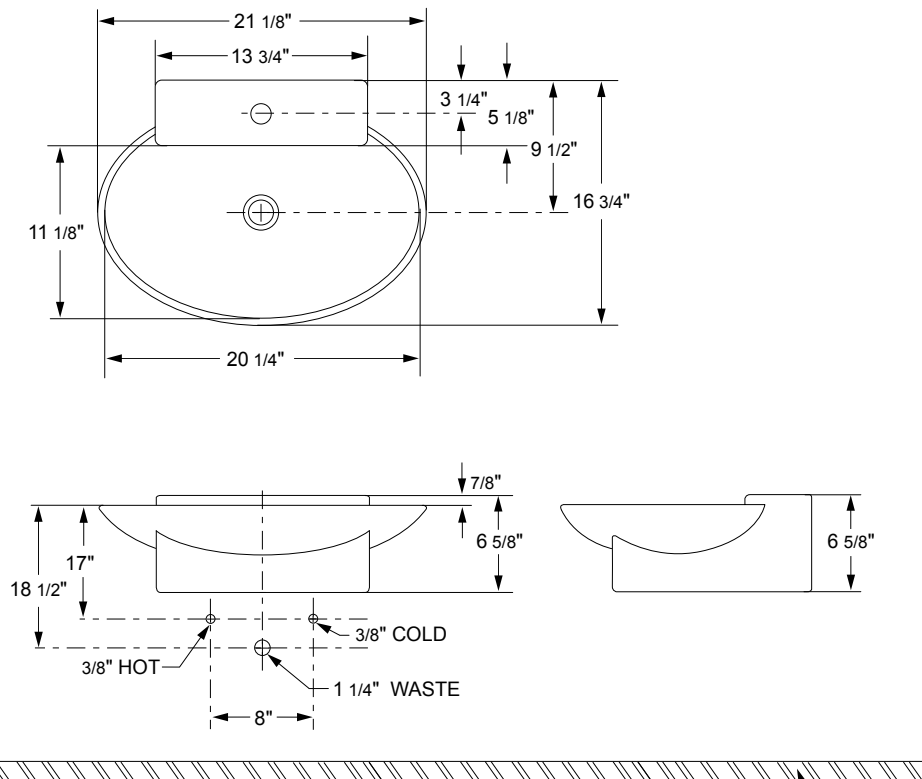
#### Technical Information

Fixture:	
Basin area	20 1/4" (51.4 cm) x 11 1/8" (28.3 cm)
Basin depth	3 3/4" (9.5 cm)
Drain hole	1 3/4" (4.4 cm)

#### Ziga Zaga® Collection



**Available Colors**  
• White (WH)



IMPORTANT: Dimensions of fixtures are nominal and may vary within the range of tolerance established by ANSI Standard A112.19.2M. These measurements are subject to change or cancellation. No responsibility is assumed for use of superseded or voided pages.

FINISHED  
FLOOR