



# DBI663THS.U

## Built-in undercounter dishwasher

### General description

Turbo Drying  
Product line: Style  
Mode of installation: Built In  
Size: ADA height compliant  
Number of baskets: 3  
Number of place settings: 16 place settings  
Top tray: Easy height adjustment; With rack for knives and utensils; With rack for bowls and cups; With telescopic rails; Handle; Removable  
Upper basket type: Premium  
Lower basket type: Premium  
Removable cutlery basket for easy unloading



### Construction

- Welded stainless steel container
- Exterior float - detects water leakage on the base
- Stand by water protection
- Anti-block drain pump
- 8 Steel™ Construction
- Hidden heater
- SCS+ - Super Cleaning System+™
- Number of spray arms: 3
- Jet Spray™ - Extra dishwashing power for bottles
- Wide Spray™ - A spray zone for pots and pans
- Cutlery Power Zone - extra dishwashing power for the cutlery basket

### Use and flexibility

- Number of place settings: 16 place settings
- Number of baskets: 3
- Top tray: Easy height adjustment; With rack for knives and utensils; With rack for bowls and cups; With telescopic rails; Handle; Removable
- Upper basket type: Premium
- Guide rails with ball bearings for upper basket
- Lower basket type: Premium
- Tight mesh base in the baskets
- Removable cutlery basket for easy unloading
- Required inlet water pressure: 0,03-1 MPa

### Interaction & control

- Display Type: LCD display
- Ability to create own programs: Memory program
- Number of programs: 11
- Number of options: 7
- Time remaining indicator: Yes

### Programs

- 11 programs: Normal wash; ECO wash; Time program; Plastic wash; Rinse and hold; Upper half; Lower half; Crystal glass; Self-cleaning; Light wash; Sanitize
- Delayed start: 1-24 hours
- Green mode
- Speed mode
- Night mode
- Intensive mode
- Extra Dry
- Normal mode

### Design & integration

- From front adjustable rear foot
- Trim kit
- Multi fit outlet hose
- Simplified installation with integrated anti-siphon
- Depth (incl. wall spacing): 22 1/16" (560 mm)
- Height setting: 1 15/16" (50 mm)

---

**Safety & Maintenance**

- Aqua Safe™
- Kid Safe™ - lockable controls
- Rinse-aid indication: Notification in display

---

**Technical data**

- Hot or cold water connection - 9/16
- Max. temperature of inflow water: 140 F
- Noise level: 42 dB(A)
- Estimated annual energy consumption: 235 kWh
- Energy consumption/cycle: 1 kWh
- Estimated annual water consumption: 687 US Gal
- Water consumption/cycle: 3 US Gal
- Consumption in off mode: 0.49 W
- Consumption in standby mode: 0.49 W
- Connection rating: 1300 W
- Number of phases: 1
- Current: 15 A
- Frequency: 60 Hz
- Required inlet water pressure: 0,03-1 MPa
- Net weight: 94 lbs

---

**Dimensions**

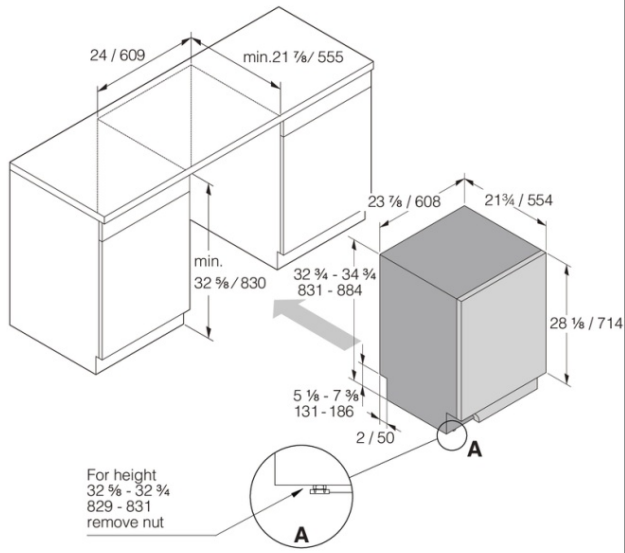
- Width: 24" (609 mm)
- Height: 32 11/16" (831 mm)
- Depth: 22" (559 mm)
- Maximum product height: 34 11/16" (881 mm)
- Cord length: 47 1/4" (1200 mm)
- Depth with door open: 47 3/16" (1198 mm)
- Length of inflow hose: 64 3/16" (1630 mm)
- Length of outflow hose: 90 9/16" (2300 mm)

---

**Logistic information**

- Packaging width: 25 3/16" (640 mm)
  - Packaging height: 35 1/16" (890 mm)
  - Packaging depth: 26 3/4" (680 mm)
  - Total weight of packaged product: 101 lbs
  - Code: 737064
  - EAN code: 3838782508332
  - Market: Domestic
  - Range: Style
-

Measurements: inches / millimetres



DW40 Built-in dishwasher XL USA

