

Danby®

Do the right thing.

Designer

OWNER'S MANUAL
MANUEL DU PROPRIÉTAIRE
MANUAL DEL PROPIETARIO

BEVERAGE CENTER
Owner's Manual.....1 - 9

CENTRE DE BREUVAGES
Manuel du propriétaire.....10 - 18

CENTRO DE BEBIDAS
Manual del propietario.....19 - 27

MODEL • MODÈLE • MODELO

DBC434A1BSSDD

Welcome

Welcome to the Danby family. We are proud of our quality products and we believe in dependable service. We suggest that you read this owner's manual before plugging in your new appliance as it contains important operation information, safety information, troubleshooting and maintenance tips to ensure the reliability and longevity of your appliance.

Visit www.Danby.com to access self service tools, FAQs and much more. For additional assistance call **1-800-263-2629**.

Note the information below; you will need this information to obtain service under warranty.

You must provide the original purchase receipt to validate your warranty and receive service.

Model Number: _____

Serial Number: _____

Date of Purchase: _____

Need Help?

Before you call for service, here are a few things you can do to help us serve you better.

Read this owner's manual:

It contains instructions to help you use and maintain your appliance properly.

If you receive a damaged appliance:

Immediately contact the retailer or builder that sold you the appliance.

Save time and money:

Check the troubleshooting section at the end of this manual before calling. This section will help you solve common problems that may occur.



1-800-26- Danby
(1-800-263-2629)



Important Safety Information

READ AND FOLLOW ALL SAFETY INSTRUCTIONS

SAFETY REQUIREMENTS

DANGER: Risk of fire or explosion. Flammable refrigerant used. Do not puncture refrigerant tubing.

- Do not use mechanical devices to defrost refrigerator.
- Ensure that servicing is done by factory authorized service personnel, to minimize product damage or safety issues.
- Consult repair manual or owner's guide before attempting to service this product. All safety precautions must be followed.
- Dispose of properly in accordance with federal or local regulations.
- Follow handling instructions carefully.

WARNING: Keep ventilation openings, in the appliance enclosure or in the built-in structure, clear of obstruction.

WARNING: Do not use mechanical devices or other means to accelerate the defrosting process, other than those recommended by the manufacturer.

WARNING: Do not damage the refrigerant circuit.

WARNING: Do not use electrical appliances inside the food storage compartments of the appliance, unless they are of the type recommended by the manufacturer.

CAUTION: Children should be supervised to ensure that they do not play with the appliance.

DANGER: Risk of child entrapment. Before throwing away an old appliance:

- Remove the door or lid.
- Leave shelves in place so that children may not easily climb inside.

This appliance is intended to be used in household and similar applications such as:

- Staff kitchen areas in shops, offices and other working environments;
- Farm houses and by clients in hotels, motels and other residential type environments;
- Bed and breakfast type environments;
- Catering and similar non-retail applications.

SAFETY REQUIREMENTS

This appliance is not intended for use by persons (including children) whose physical, sensory or mental capabilities may be different or reduced, or who lack experience or knowledge, unless such persons receive supervision or training to operate the appliance by a person responsible for their safety.

Do not store explosive substances such as aerosol cans with a flammable propellant in this appliance.

GROUNDING INSTRUCTIONS

This appliance must be grounded. Grounding reduces the risk of electrical shock by providing an escape wire for the electrical current.

This appliance has a cord that has a grounding wire with a 3-prong plug. The power cord must be plugged into an outlet that is properly grounded. If the outlet is a 2-prong wall outlet, it must be replaced with a properly grounded 3-prong wall outlet. The serial rating plate indicates the voltage and frequency the appliance is designed for.

WARNING - Improper use of the grounding plug can result in a risk of electric shock. Consult a qualified electrician or service agent if the grounding instructions are not completely understood, or if doubt exists as to whether the appliance is properly grounded.

Do not connect your appliance to extension cords or together with another appliance in the same wall outlet. Do not splice the power cord. Do not under any circumstances cut or remove the third ground prong from the power cord. Do not use extension cords or ungrounded (two prongs) adapters.

If the power supply cord is damaged, it must be replaced by the manufacturer, its service agent or similar qualified person in order to avoid hazard.

SAVE THESE INSTRUCTIONS!

INSTALLATION INSTRUCTIONS

LOCATION

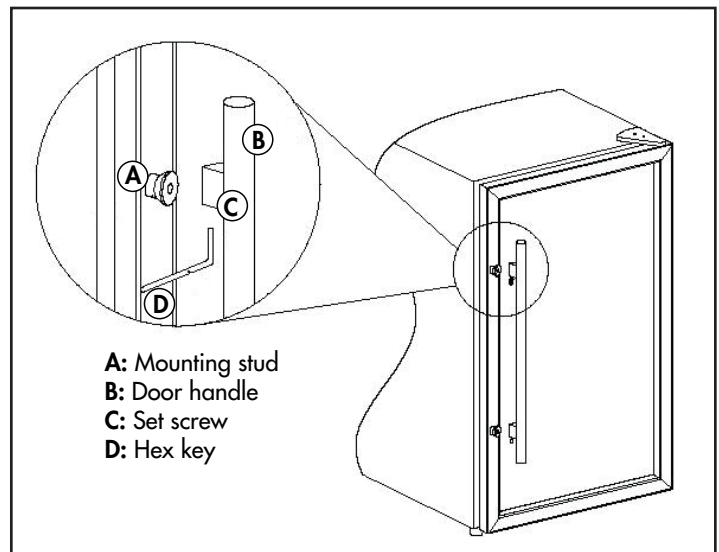
- Two people should be used when moving the appliance.
- Remove interior and exterior packaging prior to installation. Wipe the outside of the appliance with a soft, dry cloth and the inside with a lukewarm wet cloth.
- Place the appliance on a floor that is strong enough to support it when it is fully loaded.
- Do not place the appliance in direct sunlight or near sources of heat, such as a stove or heater, as this can increase electrical consumption. Extreme cold ambient temperatures may also cause the appliance to perform improperly.
- Do not use the appliance near water, for example in a wet basement or near a sink.
- This appliance is intended for household use only. It is not designed for outside installation, including anywhere that is not temperature controlled (garages, porches, vehicles, etc.).
- Before connecting the appliance to a power source, let it stand upright for approximately 6 hours. This will reduce the possibility of a malfunction in the cooling system from handling during transportation.
- This appliance is 19.4 inches (49.3 cm) wide by 33.3 inches (84.6 cm) high by 24.9 inches (63.3 cm) deep. Make sure that you leave the minimum amount of space between the appliance and all surrounding walls and vents.
- Allow 12.7 cm (5 inches) of space between the back, sides and top of the appliance and all adjacent walls.
- This appliance is intended for free-standing installation only and is not intended to be built into a cabinet or counter. Building in this appliance can cause it to malfunction.

DOOR HANDLE INSTALLATION

The door handle is not pre-attached to the appliance, it is shipped separately to protect it from damage and it must be installed by the end user.

If the appliance is placed on its back or side for any length of time during this process, it must be allowed to remain upright for 6 hours before plugging it in to avoid damage to the internal components.

1. Remove the door handle and hex key from the hardware bag inside the appliance.
2. Place the handle on the mounting studs on the outside of the door. Set screws are pre-installed in the handle. The set screws should face down when installed correctly. There are two extra set screws in the hardware bag.
3. Push the door handle tightly against the door.
4. Insert the short end of the hex key into the set screw and tighten 1/4 turn past snug. Set screw will not be recessed into the handle.
5. Repeat step 4 for the other set screw.
6. Keep the hex key and installation instructions for future use.



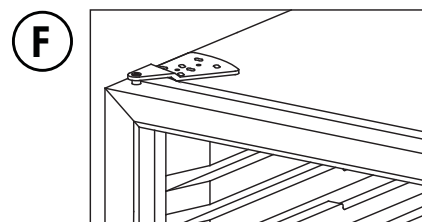
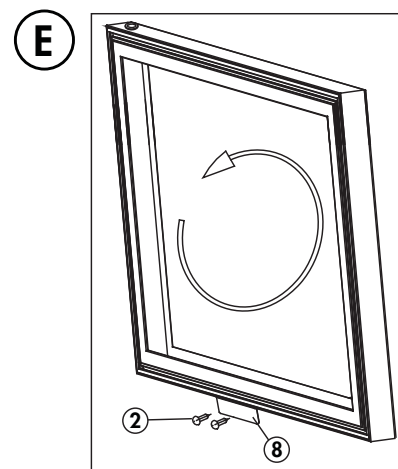
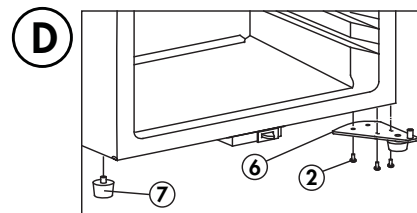
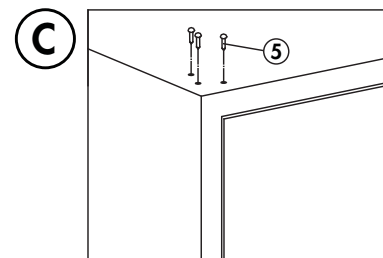
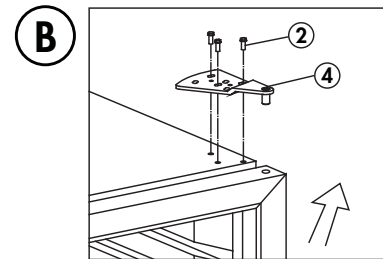
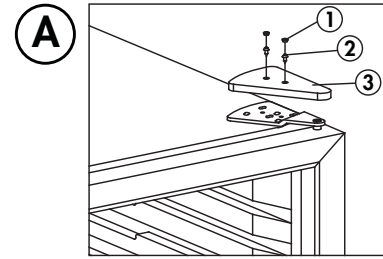
INSTALLATION INSTRUCTIONS

DOOR REVERSAL INSTRUCTIONS

If the appliance is placed on its back or side for any length of time during this process, it must be allowed to remain upright for 6 hours before plugging it in to avoid damage to the internal components.

1. Remove the rubber screw covers, the screws, the hinge cover and the upper hinge from the top right side of the appliance. See figures A and B.
2. Remove the screw hole covers from the top left side of the appliance and install them in the screw holes on the top right side of the appliance. See figure C.
3. Remove the solid foot from the lower left side of the appliance and the adjustable foot and lower hinge from the lower right side of the appliance. Swap their positions and reinstall them. See figure D.
4. Remove the actuator from the bottom of the door and install it on the top of the door. Screw holes can be found at the top of the door by gently pulling back the rubber gasket. Before reinstalling the door on the appliance, it must be flipped 180° from its original position to ensure that the handle is on the correct side and that the actuator is at the bottom. See figure E.
5. Install the door on the lower hinge and then install the upper hinge and hinge cover on the top left side of the appliance. Before tightening the screws securing the upper hinge, ensure that the top of the door is level with the top of the appliance, that the actuator is making contact with the switch at the bottom of the appliance and that the rubber gasket is making a good seal with the appliance all the way around. See figure F.

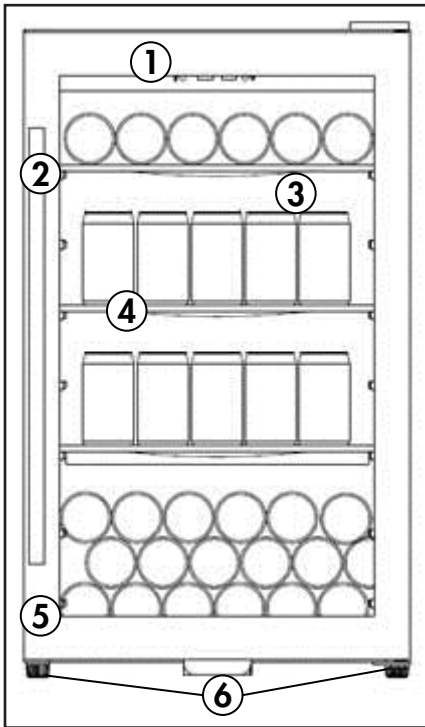
- | |
|-----------------------|
| 1. Rubber screw cover |
| 2. Screws |
| 3. Hinge cover |
| 4. Upper hinge |
| 5. Screw hole cover |
| 6. Lower hinge |
| 7. Solid foot |
| 8. Actuator |



OPERATING INSTRUCTIONS

FEATURES

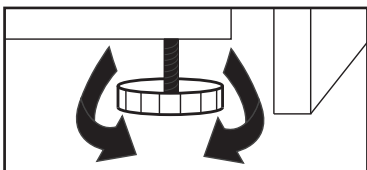
1. **Electronic Display and Controls:** For viewing and regulating the temperature.
2. **Handle**
3. **Tempered glass door:** Tinted for UV protection while still allowing for easy interior viewing.
4. **Shelves with Stainless Steel Appearance**
5. **Magnetic Door Gaskets:** Tight fitting seals retain all the cooling power and humidity levels.
6. **Leveling Foot**



LEVELING INSTRUCTIONS

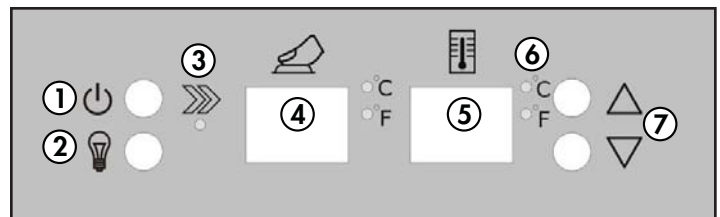
There are two adjustable feet on the bottom of the appliance that can be turned up or down to ensure that the appliance is level.

1. Turn the leveling feet counter-clockwise until the top of the feet are touching the bottom of the cabinet.
2. Slowly turn the leveling feet clockwise until the appliance is level.



CONTROL PANEL

1. **Power Button:** Press this button to turn the appliance on. Press and hold this button for 3 seconds to turn the appliance off.
2. **Light Button**
3. **Power Light:** Illuminates to signify that the cooling mode is currently in operation.
4. **Set Temperature Display**
5. **Current Temperature Display**
6. **°C/°F:** Adjacent indicator light denotes which temperature scale is being displayed.
7. **Up and Down Buttons:** Used to raise or lower the set temperature in 1° increments.



INTERIOR LIGHT

The interior light will default to turning on and off when the door is opened or closed.

Press the light button once to turn the light off while the door is open. The light will resume default functioning when the door is closed.

Press the light button twice to set the light to continuous illumination. The light will remain on when the door is opened and closed.

When the light is set to continuous illumination, press the light button once to return to default functioning.

OPERATING INSTRUCTIONS

FUNCTION INSTRUCTION

The default temperature setting is 54°F (12°C). The default temperature scale is °F.

To switch the display between °F and °C, press the Up and Down buttons simultaneously for approximately 3-5 seconds.

The temperature can be set as low as 36°F (2°C) or as high as 64°F (18°C).

Actual temperature inside the appliance can vary based on ambient temperature, how often the door is opened and how many warm bottles have recently been added to the appliance.

Each depression of the Up and Down buttons will adjust the temperature in 1° increments.

Door Ajar Alarm: If the door is not closed completely for 5 minutes, an alarm will sound. Close the door to silence the alarm.

If the door is closed and the alarm continues to sound, check that the actuator at the bottom of the door is making contact with the switch on the appliance.

Temperature Memory: If the appliance loses power, the control panel will remember the set temperature. Once power is restored, the appliance will return to normal functioning automatically.

Temperature Alarm: If the inner cabinet temperature is higher than 73°F (23°C) for one hour, the error code "HI" will show on the display panel and an alarm will sound.

If the inner cabinet temperature is lower than 32°F (0°C) the error code "LO" will show on the display panel and an alarm will sound.

If the inner cabinet temperature remains at 32°F (0°C) for more than 30 minutes, the error code "CL" will show on the display panel and an alarm will sound. The appliance will stop functioning to prevent the contents from freezing.

STOCKING INSTRUCTIONS

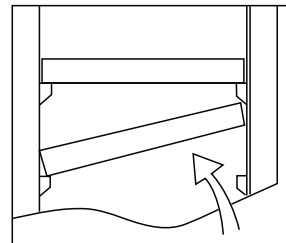
This beverage center has a maximum capacity of 124 cans in 355 ml size.

1. The first shelf holds 18 cans laying on their sides.
2. The next two shelves hold 35 cans each.
3. The bottom section holds 36 cans, when the cans are stacked laying on their sides.

SHELF INSTRUCTIONS

Do not cover shelves with aluminum foil or any other material as this will impede air flow inside the cabinet and can adversely affect the interior cabinet temperature.

1. To remove a shelf, tilt up one side and pull outward.
2. To replace a shelf, ensure it is resting securely on the support brackets and push inward until it locks into place.



CARE & MAINTENANCE

CLEANING

Ensure the appliance is unplugged before cleaning.

- To clean the inside of the appliance, use a soft cloth and a solution of a tablespoon of baking soda to one quart of water or a mild soap solution or some mild detergent.
- Wash removable shelves in a mild detergent solution, then dry and wipe with a soft cloth.
- Clean the outside with a soft, damp cloth and some mild detergent.
- It is important to keep the area clean where the door seals against the cabinet. Clean this area with a soapy cloth. Rinse with a damp cloth and let dry.

Note: Do not use cleaners containing ammonia or alcohol on the appliance. Ammonia or alcohol can damage the appearance of the appliance. Never use any commercial or abrasive cleaners or sharp objects on any part of the appliance.

POWER FAILURE

Most power failures are corrected within a few hours and should not affect the temperature of your appliance if you minimize the number of times the door is opened. If the power is going to be off for a longer period of time, take the proper steps to protect your contents.

Note: Wait 3 to 5 minutes before attempting to restart the appliance if operation has been interrupted.

ERROR CODES

If the "HI", "LO" or "CL" error codes appear on the display for more than 5 minutes, a power reset may rectify the issue. Unplug the appliance, wait 5 minutes and then plug the unit back in. If the error code persists after a power reset, contact consumer care or an authorized service agent.

DEFROST

This unit is equipped with an automatic defrost function and does not require manual defrosting. Defrost water from the appliance is channeled into a drip tray located above the compressor. Heat transfer from the compressor causes the defrost water to evaporate.

VACATION

- **Short vacations:** Leave the appliance operating during vacations of less than three weeks.
- **Long vacations:** If the appliance will not be used for several months, remove all items and turn off the appliance. Clean and dry the interior thoroughly. To prevent odor and mold growth, leave the door open slightly, blocking it open if necessary.

MOVING

- Make sure the appliance is empty.
- Secure the shelves with tape.
- Secure the door with tape.
- Turn the adjustable foot up to the base to avoid damage.
- Protect the outside of the appliance with a blanket or similar item.
- Be sure the appliance stays in the upright position during transportation.
- If the appliance is placed on its back or side during transportation, upon reaching the destination, allow it to remain upright for 6 hours before plugging in to avoid damage to internal components.

DISPOSAL

This appliance may not be treated as regular household waste, it should be taken to the appropriate waste collection point for recycling of electrical components. For information on local waste collection points, contact your local waste removal agency or government office.

TROUBLESHOOTING

Danby Consumer Care: 1-800-263-2629

Hours of operation:

Monday to Thursday 8:30 am - 6:00 pm Eastern Standard Time

Friday 8:30 am - 4:00 pm Eastern Standard Time

Information in this manual is subject to change without notice.

PROBLEM	POSSIBLE CAUSE
No power	<ul style="list-style-type: none"> • A fuse may be blown or the circuit breaker tripped • Plug not fully inserted into the wall outlet
Internal temperature not cold enough Appliance runs continuously Alarm sounding and "HI" on the display panel	<ul style="list-style-type: none"> • Door is not shut properly or opened excessively • Exhaust vent is obstructed • Recently added a large quantity of warm bottles to the cabinet • Close proximity to heat source or direct sunlight • Ambient temperature or humidity is very high • Possible system leak, evaporator fan failure or compressor failure
Condensation on the cabinet or door	<ul style="list-style-type: none"> • Door is not shut properly or opened excessively • Ambient temperature or humidity is very high
Alarm sounding and "LO" or "CL" on the display panel	<ul style="list-style-type: none"> • Ambient temperature is excessively low • Sensor failure • Evaporator temperature is too low

LIMITED "IN HOME" WARRANTY

This quality product is warranted to be free from manufacturer's defects in material and workmanship, provided that the unit is used under the normal operating conditions intended by the manufacturer.

This warranty is available only to the person to whom the unit was originally sold by Danby Products Limited (Canada) or Danby Products Inc. (U.S.A.) (hereafter "Danby") or by an authorized distributor of Danby, and is non-transferable.

TERMS OF WARRANTY

Plastic parts are warranted for thirty (30) days from the date of purchase, with no extensions provided.

First 12 months During the first **twelve (12) months**, any functional parts of this product found to be defective, will be repaired or replaced, at warrantor's option, at no charge to the original purchaser.

To obtain service Contact the dealer where the unit was purchased, or contact the nearest authorized Danby service depot, where service must be performed by a qualified service technician. If service is performed on the unit by anyone other than an authorized service depot, all obligations of Danby under this warranty shall be void.

Boundaries of in-home service Danby reserves the right to limit the boundaries of "In Home Service" to the proximity of an authorized service depot. Any appliance requiring service outside the limited boundaries of "In Home Service", will be the consumer's responsibility to transport at their own expense to the original point of purchase or a service depot for repair. If the appliance is installed in a location that is **100 kilometers (62 miles)** or more from the nearest service center, it must be delivered to the nearest authorized Danby Service Depot by the purchaser.

Transportation charges to and from the service location are not protected by this warranty and are the responsibility of the purchaser.

Nothing within this warranty shall imply that Danby will be responsible or liable for any spoilage or damage to food or other contents of this appliance, whether due to any defect of the appliance, or its use, whether proper or improper.

EXCLUSIONS

Save as herein provided, by Danby, there are no other warranties, conditions, representations or guarantees, express or implied, made or intended by Danby or its authorized distributors and all other warranties, conditions, representations or guarantees, including any warranties, conditions, representations or guarantees under any Sale of Goods Act or like legislation or statute is hereby expressly excluded. Save as herein provided, **Danby shall not be responsible for any damages to persons or property, including the unit itself, howsoever caused or any consequential damages arising from the malfunction of the unit and by the purchase of the unit, the purchaser does hereby agree to indemnify and hold harmless Danby from any claim for damages to persons or property caused by the unit.**

GENERAL PROVISIONS

No warranty or insurance herein contained or set out shall apply when damage or repair is caused by any of the following:

- 1) Power failure.
- 2) Damage in transit or when moving the appliance.
- 3) Improper power supply such as low voltage, defective house wiring or inadequate fuses.
- 4) Accident, alteration, abuse or misuse of the appliance such as inadequate air circulation in the room or abnormal operating conditions (ie. extremely high or low room temperature).
- 5) Use for commercial or industrial purposes (ie. If the appliance is not installed in a domestic residence).
- 6) Fire, water damage, theft, war, riot, hostility, acts of God such as hurricanes, floods etc.
- 7) Service calls resulting in customer education.
- 8) Improper Installation (ie. Building-in of a free standing appliance or using an appliance outdoors that is not approved for outdoor application, including but not limited to: garages, patios, porches or anywhere that is not properly insulated or climate controlled).

Proof of purchase date will be required for warranty claims; retain bills of sale. In the event that warranty service is required, present the proof of purchase to our authorized service depot.

**Warranty Service
In Home**

Danby Products Limited
PO Box 1778, Guelph, Ontario, Canada N1H 6Z9
Telephone: (519) 837-0920 FAX: (519) 837-0449

**1-800-263-2629
04/17**

Danby Products Inc.
PO Box 669, Findlay, Ohio, U.S.A. 45840
Telephone: (419) 425-8627 FAX: (419) 425-8629

Bienvenue

Bienvenue à la famille Danby. Nous sommes fiers de la qualité de nos produits et nous croyons au service fiable. Nous vous suggérons de lire ce manuel d'utilisation avant de brancher votre nouvel appareil, car il contient des informations importantes sur l'utilisation, la sécurité, le dépannage et la maintenance, afin d'assurer la fiabilité et la longévité de votre appareil.

Visitez www.Danby.com pour accéder aux outils d'autoservice, aux FAQ et bien plus encore. Pour obtenir de l'aide supplémentaire, composez le **1-800-263-2629**.

Notez les informations ci-dessous; Vous aurez besoin de cette information pour obtenir un service sous garantie.

Vous devez fournir le reçu d'achat original pour valider votre garantie et recevoir le service.

Numéro de modèle : _____

Numéro de serie : _____

Date d'achat : _____

Besoin d'assistance?

Avant d'appeler pour le service, voici quelques choses que vous pouvez faire pour nous aider à mieux vous servir.

Lire ce manuel du propriétaire :

Il contient des instructions pour vous aider à utiliser et à entretenir votre appareil correctement.

Si vous recevez un appareil endommagé :

Contactez immédiatement le revendeur ou l'entrepreneur qui vous a vendu l'appareil.

Gagnez du temps et de l'argent :

Avant d'appeler pour le service, consultez la section de dépannage à la fin de ce manuel. Cette section vous aidera à résoudre les problèmes courants pouvant survenir.



1-800-26- Danby
(1-800-263-2629)



Consignes de sécurité importantes

LIRE ET SUIVRE TOUTES LES INSTRUCTIONS DE SÉCURITÉ

EXIGENCES DE SÉCURITÉ

DANGER : Risque d'incendie ou d'explosion. Liquide frigorigène inflammable utilisé. Ne pas percer les tubes de réfrigérant.

- N'utilisez pas de dispositifs mécaniques pour dégivrer le réfrigérateur.
- Assurez-vous que l'entretien est effectué par le personnel de service autorisé en usine, afin de minimiser les dommages sur les produits ou les questions de sécurité.
- Consultez le manuel de réparation ou le guide du propriétaire avant d'essayer de réparer ce produit. Toutes les précautions de sécurité doivent être respectées.
- Éliminer conformément aux règlements fédéraux ou locaux.
- Suivez attentivement les instructions de manutention.

AVERTISSEMENT : Garder les ouvertures de ventilation, dans l'enceinte de l'appareil ou dans la structure intégrée, sans obstruction.

AVERTISSEMENT : N'utilisez pas de dispositifs mécaniques ou d'autres moyens pour accélérer le processus de dégivrage, autres que ceux recommandés par le fabricant.

AVERTISSEMENT : Ne pas endommager le circuit de réfrigérant.

AVERTISSEMENT : N'utilisez pas d'appareils électriques à l'intérieur des compartiments de stockage d'aliments de l'appareil, à moins qu'ils ne soient du type recommandé par le fabricant.

ATTENTION : Les enfants devraient être surveillés pour s'assurer qu'ils ne jouent pas avec l'appareil.

DANGER : Risque de piégeage des enfants. Avant de jeter un ancien appareil :

- Retirez la porte ou le couvercle.
- Laissez les étagères en place afin que les enfants ne puissent pas facilement monter à l'intérieur.

Cet appareil est destiné à être utilisé dans des applications domestiques et similaires telles que :

- Cuisines du personnel dans les magasins, les bureaux et autres environnements de travail;
- Les maisons de ferme et par les clients dans les hôtels, motels et autres environnements de type résidentiel;
- Chambres d'hôtes;
- Restauration et applications similaires non commerciales.

EXIGENCES DE SÉCURITÉ

Cet appareil n'est pas destiné à être utilisé par des personnes (y compris des enfants) dont les capacités physiques, sensorielles ou mentales peuvent être différentes ou réduites, ou qui n'ont pas d'expérience ou de connaissances, à moins que ces personnes ne reçoivent de supervision ou de formation pour faire fonctionner l'appareil par une personne responsable de leur sécurité.

Ne pas stocker des substances explosives comme les bombes aérosol avec un propulseur inflammable dans cet appareil.

INSTRUCTIONS DE MISE À LA TERRE

Cet appareil doit être mis à la terre. La mise à la terre réduit le risque de choc électrique en fournissant un fil d'échappement pour le courant électrique.

Cet appareil possède un cordon doté d'un fil de mise à la terre avec une fiche à 3 broches. Le cordon d'alimentation doit être branché sur une prise correctement mise à la terre. Si la sortie est une prise murale à 2 broches, elle doit être remplacée par une prise murale à 3 broches correctement mise à la terre. La plaque signalétique en série indique la tension et la fréquence auxquelles l'appareil est conçu.

AVERTISSEMENT - Une utilisation incorrecte de la fiche de mise à la terre peut entraîner un risque d'électrocution. Consultez un électricien qualifié ou un agent de service si les instructions de mise à la terre ne sont pas complètement comprises ou s'il existe un doute quant à savoir si l'appareil est correctement mis à la terre.

Ne branchez pas votre appareil à des rallonges ou avec un autre appareil dans la même prise murale. Ne pas épisser le cordon d'alimentation. Ne coupez ou retirez en aucun cas la troisième broche du cordon d'alimentation. N'utilisez pas de cordons de prolongement ou d'adaptateurs sans mise à la terre (deux broches).

Si le cordon d'alimentation est endommagé, il doit être remplacé par le fabricant, son agent de service ou une personne qualifiée similaire afin d'éviter tout risque.

GARDEZ CES INSTRUCTIONS!

INSTRUCTIONS D'INSTALLATION

EMPLACEMENT

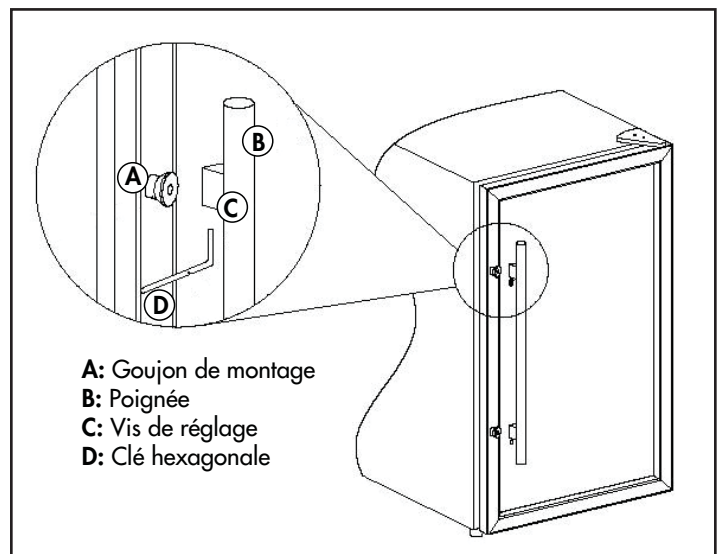
- Deux personnes doivent être utilisées pour déplacer l'appareil.
- Retirer l'emballage intérieur et extérieur avant l'installation. Essuyez l'extérieur de l'appareil avec un chiffon doux et sec et à l'intérieur avec un chiffon humide tiède.
- Placez votre appareil sur un plancher qui est assez fort pour le soutenir quand il est complètement chargé.
- Ne placez pas l'appareil directement dans la lumière du soleil ou à proximité de sources de chaleur, comme un poêle ou un réchauffeur, car cela peut augmenter la consommation électrique. Des températures ambiantes extrêmes et froides peuvent également provoquer un dysfonctionnement de l'appareil.
- Ne pas utiliser ce produit près de l'eau, par exemple, dans un sous-sol humide ou près d'un évier.
- Cet appareil est destiné à un usage domestique seulement. Cette unité n'est pas conçue pour une installation extérieure, y compris une installation où la température n'est pas contrôlée (garages, porches, carports, etc.).
- Avant de brancher l'appareil à une source d'alimentation, laissez-le debout pendant environ 6 heures; Ceci réduira la possibilité d'un dysfonctionnement dans le système de refroidissement de la manipulation pendant le transport.
- Cet appareil est 19,4 pouces (49,3 cm) de large par 33,3 pouces (84,6 cm) de haut par 24,9 pouces (63,3 cm) de profondeur; assurez-vous de laisser le dégagement minimum d'entre l'appareil et tous les murs environnants et les ouvertures.
- Laissez 12,7 cm (5 pouces) d'espace entre le dos, les côtés et le dessus de l'appareil et les parois adjacentes.
- Cet appareil est destiné à une installation autonome uniquement et ne doit pas être intégré dans une armoire ou un compteur. La construction de cet appareil peut provoquer un dysfonctionnement.

INSTALLATION DE LA POIGNÉE DE PORTE

La poignée de la porte n'est pas pré-attachée à l'appareil, elle est expédiée séparément pour la protéger des dommages et doit être installée par l'utilisateur final.

Si l'appareil est placé à l'arrière ou au côté pendant un certain temps pendant ce processus, il doit pouvoir rester debout pendant 6 heures avant de le brancher pour éviter d'endommager les composants internes.

1. Retirez la poignée de porte et la clé hexagonale de la valise à l'intérieur de l'appareil.
2. Placez la poignée sur les goujons de montage à l'extérieur de la porte. Les vis de réglage sont pré-installées dans la poignée. Les vis de réglage doivent être orientées vers le bas lorsqu'elles sont installées correctement. Il existe deux vis supplémentaires dans le sac matériel.
3. Pousser la poignée de la porte contre la porte.
4. Insérez l'extrémité courte de la clé hexagonale dans la vis de réglage et serrez 1/4 de vire après serrer. La vis de réglage ne sera pas encastrée dans la poignée.
5. Répétez l'étape 4 pour l'autre vis de réglage.
6. Gardez la clé hexagonale et les instructions d'installation pour une utilisation future.



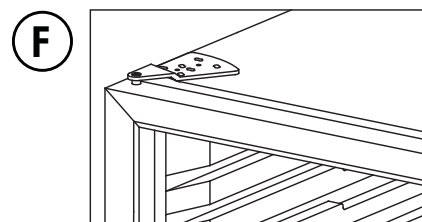
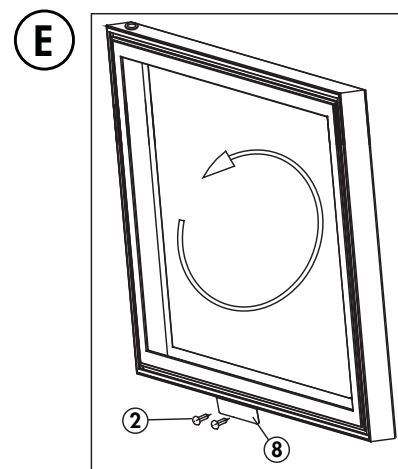
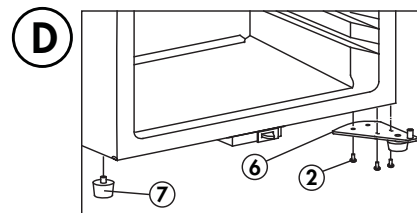
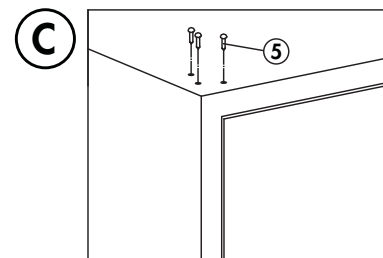
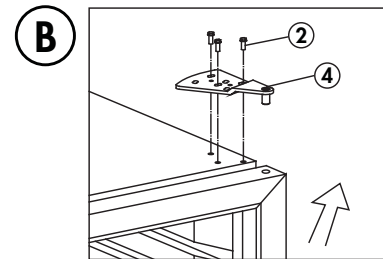
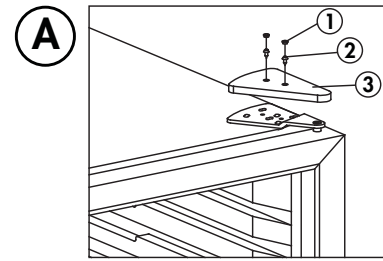
INSTRUCTIONS D'INSTALLATION

INSTRUCTIONS DE L'INVERSION DE PORTE

Si l'appareil est placé à l'arrière ou au côté pendant un certain temps pendant ce processus, il doit être autorisé à rester debout pendant 6 heures avant de le brancher pour éviter d'endommager les composants internes.

1. Retirez les couvercles de vis en caoutchouc, les vis, le couvercle de charnière et la charnière supérieure du haut à droite de l'appareil. Voir les figures A et B.
2. Retirez les couvercles des trous de vis du haut à gauche de l'appareil et installez-les dans les trous de vis en haut à droite de l'appareil. Voir la figure C.
3. Retirez le pied solide du côté inférieur gauche de l'appareil et le pied réglable et la charnière inférieure du côté inférieur droit de l'appareil. Échangez leurs positions et réinstallez-les. Voir la figure D.
4. Retirez l'actionneur du bas de la porte et installez-le sur le dessus de la porte. Des trous de vis peuvent être trouvés en haut de la porte en retirant doucement le joint en caoutchouc. Avant de réinstaller la porte sur l'appareil, il doit être tourné à 180° de sa position d'origine pour s'assurer que la poignée se trouve sur le côté correct et que l'actionneur est en bas. Voir figure E.
5. Installez la porte sur la charnière inférieure, puis installez la charnière supérieure et le couvercle de charnière sur le côté supérieur gauche de l'appareil. Avant de serrer les vis qui fixent la charnière supérieure, assurez-vous que le haut de la porte est au niveau du haut de l'appareil, que l'actionneur entre en contact avec le commutateur au bas de l'appareil et que le joint en caoutchouc réalise un bon joint Avec l'appareil tout autour. Voir la figure F.

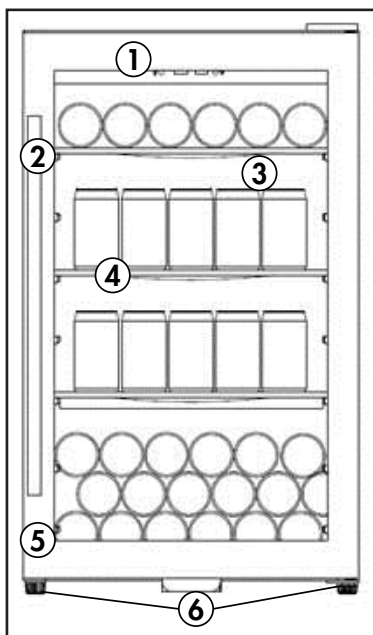
1. Capuchon à vis en caoutchouc
2. Des vis
3. Housse de charnière
4. Charnière supérieure
5. Couvercle du trou de vis
6. Charnière inférieure
7. Pied solide
8. Actuateur



CONSIGNES D'UTILISATION

CARACTÉRISTIQUES

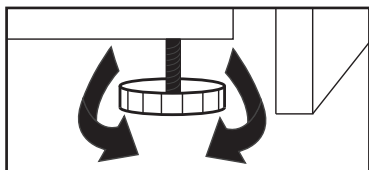
1. **Affichage et contrôles électronique:** Pour visualiser et réguler la température.
2. **Poignée**
3. **Porte en verre trempé:** Teint pour la protection UV tout en permettant un visionnement intérieur facile.
4. **Étagères avec aspect en acier inoxydable**
5. **Joint de porte magnétiques:** Les joints d'étanchéité restants conservent tous les niveaux de puissance et d'humidité du refroidissement.
6. **Pied de nivellement**



INSTRUCTIONS DE NIVEAU

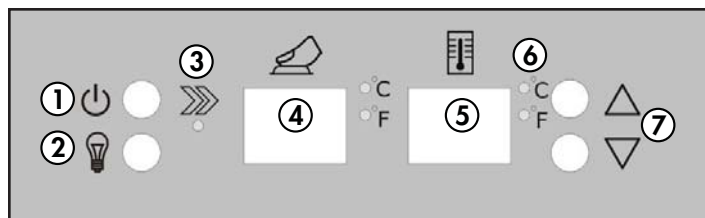
Il y a deux pieds réglables au bas de l'appareil qui peuvent être montés ou bas pour s'assurer que l'appareil est au niveau.

1. Tournez les pieds de nivellement dans le sens inverse des aiguilles jusqu'à ce que le haut des pieds touche le bas du cabinet.
2. Tournez lentement les pieds de nivellement dans le sens des aiguilles d'une montre jusqu'à ce que l'appareil soit à niveau.



PANNEAU DE CONTRÔLE

1. **Bouton d'alimentation:** Appuyez sur cette touche pour allumer l'appareil. Maintenez ce bouton enfoncé pendant 3 secondes pour éteindre l'appareil.
2. **Bouton lumière**
3. **Lumière de puissance:** S'allume pour indiquer que le mode de refroidissement est actuellement en fonctionnement.
4. **Affichage de la température réglée**
5. **Affichage de la température actuelle**
6. **°C/°F:** Le témoin lumineux adjacent indique quelle échelle de température est affichée.
7. **Boutons haut et bas:** Utilisé pour augmenter ou baisser la température réglée par incréments de 1°.



LUMIÈRE INTÉRIEURE

La lumière intérieure s'allume et s'éteint lorsque la porte est ouverte ou fermée.

Appuyez une fois sur le bouton lumineux pour éteindre la lumière lorsque la porte est ouverte. La lumière reprendra le fonctionnement par défaut lorsque la porte est fermée.

Appuyez deux fois sur le bouton lumineux pour allumer l'éclairage continu. La lumière reste allumée lorsque la porte est ouverte et fermée.

Lorsque la lumière est réglée sur l'éclairage continu, appuyez une fois sur le bouton lumineux pour revenir au fonctionnement par défaut.

CONSIGNES D'UTILISATION

INSTRUCTION DE FONCTION

La température par défaut est de 54°F (12°C).
L'échelle par défaut de température est °F.

Pour changer l'affichage entre °F et °C, appuyez simultanément sur les boutons Haut et Bas pendant environ 3-5 secondes.

La température peut être réglée aussi bas que 36°F (2°C) ou jusqu'à 64°F (18°C).

La température réelle à l'intérieur de l'appareil peut varier en fonction de la température ambiante, à quelle fréquence la porte est ouverte et combien de bouteilles chaudes ont récemment été ajoutées à l'appareil.

Chaque dépression des boutons Haut et Bas règle la température par incréments de 1°.

Alarme de porte ouverte: Si la porte est ouverte pendant 5 minutes, une alarme retentit. Fermez la porte pour arrêter l'alarme.

Si la porte est fermée et que l'alarme continue de sonner, vérifiez que l'actionneur au bas de la porte est en contact avec l'interrupteur de l'appareil.

Mémoire de température: Si l'appareil perd l'alimentation, le panneau de commande se souviendra de la température réglée. Une fois que l'alimentation est rétablie, l'appareil revient au fonctionnement normal automatiquement.

Alarme de température: Si la température de l'armoire intérieure est supérieure à 73°F (23°C) pendant une heure, le code d'erreur "HI" s'affiche sur l'écran et une sonnerie retentit.

Si la température de l'armoire intérieure est inférieure à 32°F (0°C) le code d'erreur "LO" s'affiche sur le panneau d'affichage et une alarme retentit.

Si la température de l'armoire intérieure reste à 32°F (0°C) pendant plus de 30 minutes, le code d'erreur "CL" s'affiche sur le panneau d'affichage et une alarme retentit. L'appareil cesse de fonctionner pour empêcher le contenu de se figer.

INSTRUCTIONS DE STOCKAGE

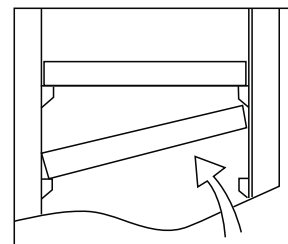
Ce centre de boissons a une capacité maximale de 124 canettes en 355 ml.

1. La première étagère contient 18 canettes posées sur leurs côtés.
2. Les deux étagères suivantes contiennent 35 canettes chacune.
3. La partie inférieure contient 36 canettes, lorsque les boîtes sont empilées sur leurs côtés.

INSTRUCTIONS D'ÉTAGÈRE

Ne pas couvrir les étagères avec du papier d'aluminium ou tout autre matériau, car cela entravera l'écoulement d'air à l'intérieur de l'armoire et pourrait nuire à la température de l'armoire intérieure.

1. Pour enlever une étagère, inclinez-vous vers le haut et tirez vers l'extérieur.
2. Pour remplacer une étagère, assurez-vous qu'elle repose solidement sur les supports et poussez vers l'intérieur jusqu'à ce qu'elle se verrouille en place.



NETTOYAGE

Assurez-vous que l'appareil est débranché avant de nettoyer une partie de l'appareil.

- Pour nettoyer l'intérieur de l'appareil, utilisez un chiffon doux et une solution d'une cuillère à soupe de bicarbonate de soude à un quart d'eau ou une solution de savon doux ou un détergent doux.
- Lavez les tablettes amovibles dans une solution détergente douce, puis séchez et essuyez avec un chiffon doux.
- Nettoyez l'extérieur avec un chiffon doux et humide et un peu de détergent doux.
- Il est important de garder la région de scellement de la porte sur l'armoire propre. Nettoyez avec un tissu savonneux, rincez la région et puis séchez.

Remarque: N'utilisez pas de produits nettoyants comprenant de l'ammoniaque ou de l'alcool sur l'appareil. L'ammoniaque ou l'alcool peuvent altérer le fini de l'appareil. N'utilisez jamais de nettoyant industriels sur aucune partie de votre appareil.

PANNE DE COURANT

La plupart des pannes de courant ne durent que quelques heures et ne devraient pas modifier la température de votre l'appareil si vous réduisez au maximum le nombre de fois où la porte est ouverte. Si le courant reste coupé pendant une longue période, il faut prendre des mesures de protection du contenu de l'appareil.

Remarque: Attendez 3 à 5 minutes avant d'essayer de redémarrer le réfrigérateur si l'opération a été interrompue.

CODES D'ERREUR

Si les codes d'erreur "HI", "LO" ou "CL" apparaissent sur l'affichage pendant plus de 5 minutes, une réinitialisation de l'alimentation peut corriger le problème. Débranchez l'appareil, attendez 5 minutes, puis rallumez l'appareil. Si le code d'erreur persiste après une réinitialisation, contactez le consommateur ou un agent de service agréé.

DÉGIVRER

Cet appareil est équipé d'une fonction de dégivrage automatique et ne nécessite pas de dégivrage manuel. Le dégivrage de l'eau de l'appareil est canalisé dans un tiroir situé au-dessus du compresseur. Le transfert de chaleur du compresseur provoque l'évaporation de l'eau de dégivrage.

VACANCES

- **Courtes vacances:** Laissez le unité fonctionner pendant les vacances durant moins de trois semaines.
- **Longues vacances:** Si l'unité ne doit pas être utilisé pendant plusieurs mois, retirez tout ce qu'il contient et mettez-le hors tension. Nettoyez et asséchez à fond l'intérieur. Pour éviter les odeurs et le développement de moisissures, laissez la porte entrouverte, la coincer au besoin.

DÉMÉNAGER

- Assurez-vous que l'appareil est vide.
- Fixez les étagères avec du ruban adhésif.
- Fixez la porte avec du ruban adhésif.
- Tournez le pied réglable jusqu'à la base pour éviter tout dommage.
- Protégez l'extérieur de l'appareil avec une couverture ou un objet similaire.
- Assurez-vous que l'appareil reste en position verticale pendant le transport.
- Si l'appareil est placé sur le dos ou sur le côté pendant le transport, à la destination, laissez-le reposer pendant 6 heures avant de le brancher pour éviter d'endommager les composants internes.

ÉLIMINATION DES DÉCHETS

Ce produit ne doit pas être traité comme un déchet domestique ordinaire, il doit être transporté au point de collecte approprié pour le recyclage des composants électriques. Pour obtenir des renseignements sur les points de collecte des déchets locaux, communiquez avec votre agence locale de traitement des déchets ou avec le bureau du gouvernement.

DÉPANNAGE

Danby soins du consommateur: 1-800-263-2629

Heures d'ouverture:

Lundi à Jeudi 8 h 30 à 18 h, heure normale de l'Est

Vendredi de 8 h 30 à 16 h, heure normale de l'Est

Les informations contenues dans ce manuel sont sujettes à modification sans préavis.

PROBLÈME	CAUSE POSSIBLE
L'appareil n'est pas alimenté	<ul style="list-style-type: none">• Un fusible de votre panneau de distribution peut être grillé ou le disjoncteur déclenché• La fiche n'est pas complètement insérée dans prise murale
La température interne n'est pas assez froide L'appareil fonctionne en continu Sonde d'alarme et "HI" sur l'écran d'affichage	<ul style="list-style-type: none">• Le porte n'est pas fermées correctement ou ouverte trop souvent• L'échappement est obstrué• Ajout récemment d'une grande quantité de nourriture chaude au cabinet• Proximité de la source de chaleur ou de la lumière directe du soleil• La température ambiante ou l'humidité est très élevée
Condensation sur le cabinet ou la porte	<ul style="list-style-type: none">• Le porte n'est pas fermées correctement ou ouverte trop souvent• La température ambiante ou l'humidité est très élevée
Sonde d'alarme et "LO" ou "CL" sur l'écran d'affichage	<ul style="list-style-type: none">• La température ambiante est trop faible• Echet du capteur• La température de l'évaporateur est trop faible

GARANTIE LIMITÉE « À DOMICILE »

Cet appareil de qualité est garanti exempt de tout vice de matière première et de fabrication, s'il est utilisé dans les conditions normales recommandées par le fabricant.

Cette garantie n'est offerte qu'à l'acheteur initial de l'appareil vendu par Danby Products Limited (Canada) ou Danby Products Inc. (É.-U.) (ci-après « Danby ») ou par l'un de ses distributeurs agréés et elle ne peut être transférée.

CONDITIONS

Les pièces en plastique sont garanties pendant trente (30) jours seulement à partir de la date de l'achat, sans aucune prolongation prévue.

Premiers 12 mois Pendant les premiers **douze (12) mois**, toutes les pièces fonctionnelles de ce produit qui s'avèrent défectueuses seront réparées ou remplacées, selon le choix du garant, sans frais à l'acheteur initial.

Pour bénéficiaire du service S'adresser au détaillant qui a vendu l'appareil, ou à la station technique agréée de service la plus proche, où les réparations doivent être effectuées par un technicien qualifié. Si les réparations sont effectuées par quiconque autre que la station de service agréée ou à des fins commerciales, toutes les obligations de Danby en vertu de cette garantie seront annulées.

Limites de l'entretien à domicile Danby se réserve le droit de limiter les limites de « Service au domicile » à proximité d'un dépôt de service agréé. Pour tout appareil nécessitant le service hors des limites de "Service à domicile" il sera la responsabilité du consommateur de transporter à ses frais au point d'achat d'origine ou un dépôt de service pour la réparation. Si l'appareil est installé à plus de **100 kilomètres (62 milles)** du centre de service le plus proche, il doit être livré à l'atelier de réparation autorisé par Danby le plus proche, car l'entretien doit uniquement être réalisé par un technicien qualifié et certifié pour effectuer un entretien couvert par la garantie de Danby.

Les frais de transport entre votre domicile et le lieu de l'entretien ne sont pas couverts par la présente garantie et doivent être acquittés par l'acheteur.

Aucune partie de la garantie ne prévoit implicitement que le fabricant sera tenu responsable des dommages subis par les aliments ou d'autres types de contenu, qu'ils soient causés par la défectuosité de l'appareil ou par son usage adéquat ou inadéquat.

EXCLUSIONS

En vertu de la présente, il n'existe aucune autre garantie, condition ou représentation, qu'elle soit exprimée ou tacite, de façon manifeste ou intentionnelle, par Danby ou ses distributeurs agréés. De même, sont exclues toutes les autres garanties, conditions ou représentations, y compris les garanties, conditions ou représentations en vertu de toute loi régissant la vente de produits ou de toute autre législation ou règlement semblable. **En vertu de la présente, Danby ne peut être tenue responsable en cas de blessures corporelles ou de dégâts matériels, y compris à l'appareil, quelle qu'en soit la cause. Danby ne peut pas être tenue responsable des dommages indirects dus au fonctionnement défectueux de l'appareil. En achetant l'appareil, l'acheteur accepte de tenir sans reproche et de décharger Danby de toute responsabilité en cas de réclamation pour toute blessure corporelle ou tout dégât matériel causé par cet appareil.**

CONDITIONS GÉNÉRALES

La garantie ou assurance ci-dessus ne s'applique pas si les dégâts ou réparations sont dus aux cas suivants :

- 1) Panne de courant.
- 2) Dommages subis pendant le transport ou le déplacement de l'appareil.
- 3) Alimentation électrique incorrecte (tension faible, câblage défectueux, fusibles incorrects).
- 4) Accident, modification, emploi abusif ou incorrect de l'appareil tel qu'une circulation d'air inadéquate dans la pièce ou des conditions de fonctionnement anormales (température extrêmement élevée ou basse).
- 5) Utilisation dans un but commercial ou industriel (à savoir, si l'appareil n'est pas installé dans un domicile résidentiel).
- 6) Incendie, dommages causés par l'eau, le vol, la guerre, une émeute, des hostilités, ou en cas de force majeure (ouragan, inondation, etc.).
- 7) Visites d'un technicien pour expliquer le fonctionnement de l'appareil au propriétaire.
- 8) Installation inappropriée (par exemple, encastrement d'un appareil autoportant, ou utilisation extérieure d'un appareil non conçu à cet effet, y compris, mais sans s'y limiter : les garages, les patios, les porches ou ailleurs, qui ne sont pas correctement isolés ou climatisés).

La preuve de la date d'achat sera requise pour les réclamations de garantie; conserver la facture de vente. Dans le cas où un service de garantie est requis, présentez la preuve d'achat à notre dépôt de service agréé.

Service sous garantie

Service au domicile

Danby Products Limited
PO Box 1778, Guelph, Ontario, Canada N1H 6Z9
Téléphone : (519) 837-0920 Télécopieur : (519) 837-0449

1-800-263-2629

02/18

Danby Products Inc.
PO Box 669, Findlay, Ohio, U.S.A. 45840
Téléphone : (419) 425-8627 Télécopieur : (419) 425-8629

Bienvenido

Bienvenido a la familia Danby. Estamos orgullosos de nuestros productos de calidad y creemos en un servicio confiable. Sugerimos que lea este manual del propietario antes de conectar el nuevo aparato ya que contiene información importante sobre la operación, información de seguridad, solución de problemas y consejos de mantenimiento para garantizar la fiabilidad y longevidad de su electrodoméstico.

Visite **www.Danby.com** para acceder a herramientas de autoservicio, preguntas frecuentes y mucho más. Para asistencia adicional, llame al **1-800-263-2629**.

Tenga en cuenta la información siguiente; Necesitará esta información para obtener un servicio bajo garantía.

Debe proporcionar el recibo de compra original para validar su garantía y recibir servicio.

Número de modelo: _____

Número de serie: _____

Fecha de compra: _____

Necesitas ayuda?

Antes de llamar al servicio, aquí hay algunas cosas que puede hacer para ayudarnos a servirle mejor.

Lea este manual del propietario:

Contiene instrucciones para ayudarlo a usar y mantener su aparato correctamente.

Si recibe un aparato dañado:

Inmediatamente póngase en contacto con el minorista o el constructor que le vendió el aparato.

Ahorre tiempo y dinero:

Consulte la sección de solución de problemas al final de este manual antes de llamar. Esta sección le ayudará a resolver problemas comunes que pueden ocurrir.



1-800-26- Danby
(1-800-263-2629)



Importantes Instrucciones de Seguridad

LEA Y SIGA TODAS LAS INSTRUCCIONES DE SEGURIDAD

REQUERIMIENTOS DE SEGURIDAD

PELIGRO: Riesgo de incendio o explosión. Refrigerante inflamable usado. No perforar la tubería del refrigerante.

- No utilice dispositivos mecánicos para descongelar el refrigerador.
- Asegúrese de que el personal de mantenimiento autorizado por la fábrica haga el mantenimiento para minimizar los daños o problemas de seguridad del producto.
- Consulte el manual de reparación o la guía del propietario antes de intentar reparar este producto. Todas las precauciones de seguridad deben ser seguidas.
- Deseche adecuadamente de acuerdo con las regulaciones federales o locales.
- Siga cuidadosamente las instrucciones de manipulación.

ADVERTENCIA: Mantenga las aberturas de ventilación, en la caja del aparato o en la estructura incorporada, sin obstrucción.

ADVERTENCIA: No utilice dispositivos mecánicos u otros medios para acelerar el proceso de descongelación, distintos de los recomendados por el fabricante.

ADVERTENCIA: No dañar el circuito refrigerante.

ADVERTENCIA: No utilice electrodomésticos dentro de los compartimentos de almacenamiento de alimentos del aparato, a menos que sean del tipo recomendado por el fabricante.

PRECAUCIÓN: Los niños deben ser supervisados para asegurarse de que no juegan con el aparato.

PELIGRO: Riesgo de atrapamiento de niños. Antes de tirar un electrodoméstico viejo:

- Retire la puerta o la tapa.
- Deje los estantes en su lugar para que los niños no puedan subir fácilmente dentro.

Este dispositivo está destinado a ser utilizado en aplicaciones domésticas y similares, tales como:

- Cocinas de personal en tiendas, oficinas y otros entornos de trabajo;
- Casas rurales y clientes en hoteles, moteles y otros entornos de tipo residencial;
- Cama y desayuno;
- Catering y aplicaciones similares no minoristas.

REQUERIMIENTOS DE SEGURIDAD

Este aparato no está diseñado para ser usado por personas (incluyendo niños) cuyas capacidades físicas, sensoriales o mentales pueden ser diferentes o reducir, o que carecen de experiencia o conocimiento, a menos que dichas personas reciban supervisión o entrenamiento para operar el aparato por una persona responsable de su la seguridad.

No almacene sustancias explosivas como aerosoles con propelente inflamable en este electrodoméstico.

INSTRUCCIONES DE CONEXION A TIERRA

Este aparato debe estar conectado a tierra. La puesta a tierra reduce el riesgo de descarga eléctrica proporcionando un cable de escape para la corriente eléctrica.

Este aparato tiene un cable que tiene un cable de conexión a tierra con un enchufe de 3 clavijas. El cable de alimentación debe estar enchufado en un tomacorriente que esté debidamente conectado a tierra. Si el tomacorriente es un enchufe de pared de 2 terminales, debe ser reemplazado por un tomacorriente de pared de 3 clavijas debidamente conectado a tierra. La placa de características en serie indica el voltaje y la frecuencia que el aparato está diseñado para.

ADVERTENCIA - El uso incorrecto del enchufe de conexión a tierra puede resultar en un riesgo de descarga eléctrica. Consulte a un electricista calificado o agente de servicio si las instrucciones de conexión a tierra no se entienden completamente o si existe duda sobre si el aparato está debidamente conectado a tierra.

No conecte el aparato a los cables de extensión ni con otro aparato en la misma toma de corriente.

No empalme el cable de alimentación. No corte ni extraiga en ningún caso la tercera clavija de tierra del cable de alimentación. No utilice cables de extensión ni adaptadores sin conexión a tierra (dos clavijas).

Si el cable de alimentación está dañado, debe ser reemplazado por el fabricante, su agente de servicio o persona calificada similar para evitar riesgos.

¡GUARDE ESTAS INSTRUCCIONES!

INSTRUCCIONES DE INSTALACIÓN

UBICACIÓN

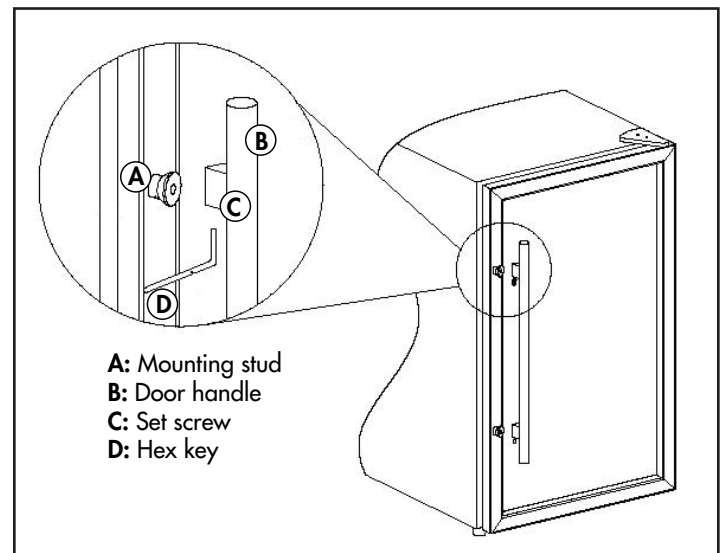
- Se deben utilizar dos personas al mover el aparato.
- Retire el embalaje interior y exterior antes de la instalación. Limpie el exterior del aparato con un paño suave y seco y el interior con un paño húmedo tibio.
- Coloque el aparato en un piso que sea lo suficientemente fuerte como para soportarlo cuando esté completamente cargado.
- Ubique el aparato lejos de la luz directa del sol y fuentes de calor (estufa, calentador, radiador, etc.). La luz solar directa y las fuentes de calor pueden aumentar el consumo eléctrico. Las temperaturas ambientales extremadamente frías también pueden causar que la unidad funcione incorrectamente.
- No utilice este producto cerca del agua, por ejemplo, en un sótano húmedo o cerca de un fregadero.
- Este aparato está diseñado para uso doméstico solamente. Esta unidad no está diseñada para instalación exterior, incluida la instalación en cualquier lugar que no sea de temperatura controlada (garajes, porches, cocheras, etc.).
- Antes de conectar el aparato a una fuente de alimentación, deje que se mantenga erguido durante aproximadamente 6 horas; Esto reducirá la posibilidad de un malfuncionamiento en el sistema de enfriamiento debido a la manipulación durante el transporte.
- Esta aparato tiene 19.4 pulgadas (49.3 cm) de ancho por 33.3 pulgadas (84.6 cm) de alto por 24.9 pulgadas (63.3 cm) de profundidad; por favor asegúrese de dejar un espacio mínimo entre la unidad y todas las paredes circundantes y las aberturas de ventilación.
- Espere 12.7 cm (5 pulgadas) de espacio entre la parte posterior, los lados y la parte superior del aparato y todas las paredes adyacentes.
- Este aparato está diseñado para instalación independiente y no está diseñado para ser instalado en un gabinete o mostrador. La construcción en este aparato puede causar un mal funcionamiento.

INSTALACIÓN DE MANIJA DE LA PUERTA

La manija de la puerta no está preinstalada en el aparato, se envía por separado para protegerla de daños y debe ser instalada por el usuario final.

Si el aparato se coloca en su parte posterior o lateral durante un período de tiempo prolongado durante este proceso, se debe permitir que permanezca erguido durante 6 horas antes de enchufarlo para evitar daños a los componentes internos.

1. Retire la manija de la puerta y la llave hexagonal de la bolsa del interior del aparato.
2. Coloque la manija en los pernos de montaje en el exterior de la puerta. Los tornillos de fijación están preinstalados en el mango. Los tornillos de ajuste deben estar boca abajo cuando estén instalados correctamente. Hay dos tornillos de ajuste adicionales en la bolsa de hardware.
3. Empuje firmemente la manija de la puerta contra la puerta.
4. Inserte el extremo corto de la llave hexagonal en el tornillo de ajuste y apriete 1/4 de vuelta pasado el ajuste. El tornillo de fijación no quedará empotrado en el mango.
5. Repita el paso 4 para el otro tornillo de ajuste.
6. Guarde la llave hexagonal y las instrucciones de instalación para uso futuro.



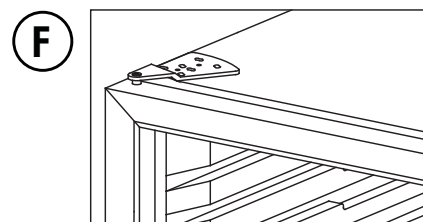
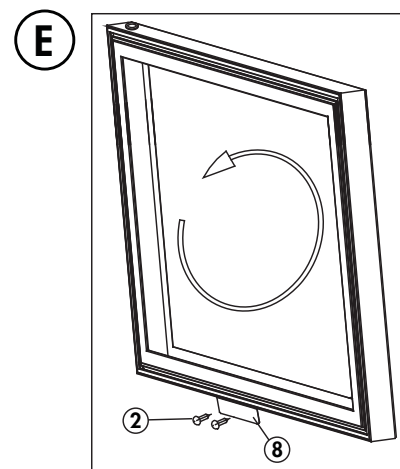
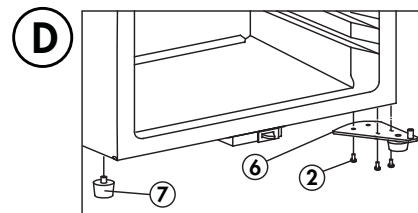
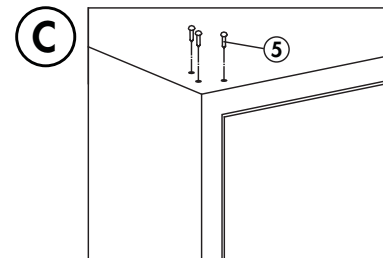
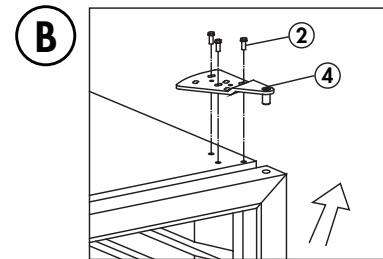
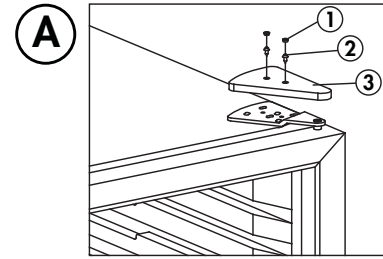
INSTRUCCIONES DE INSTALACIÓN

INSTRUCCIONES DE REVERSIÓN DE LA PUERTA

Si el aparato se coloca en su parte posterior o lateral durante un período de tiempo prolongado durante este proceso, se debe permitir que permanezca erguido durante 6 horas antes de enchufarlo para evitar daños a los componentes internos.

1. Retire las tapas de goma del tornillo, los tornillos, la cubierta de la bisagra y la bisagra superior de la parte superior derecha del aparato. Véanse las figuras A y B.
2. Retire las cubiertas del orificio de tornillo del lado superior izquierdo del aparato e instálelas en los orificios de los tornillos en la parte superior derecha del aparato. Véase la figura C.
3. Retire el pie sólido del lado inferior izquierdo del aparato y el pie ajustable y la bisagra inferior del lado inferior derecho del aparato. Cambie sus posiciones y vuelva a instalarlas. Véase la figura D.
4. Retire el actuador de la parte inferior de la puerta e instálelo en la parte superior de la puerta. Los orificios de los tornillos se pueden encontrar en la parte superior de la puerta retirando suavemente la junta de goma. Antes de reinstalar la puerta del aparato, debe girar 180° desde su posición original para asegurarse de que el mango está en el lado correcto y de que el actuador está en la parte inferior. Véase figura E.
5. Instale la puerta en la bisagra inferior e instale la bisagra superior y la cubierta de la bisagra en la parte superior izquierda del aparato. Antes de apretar los tornillos que aseguran la bisagra superior, asegúrese de que la parte superior de la puerta esté nivelada con la parte superior del aparato, que el actuador esté en contacto con el interruptor en la parte inferior del aparato y que la junta de goma esté haciendo un buen sellado Con el aparato todo el camino alrededor. Véase la figura F.

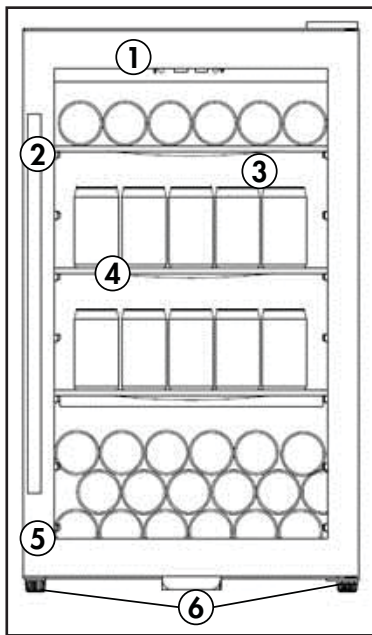
1. Cubierta de tornillo de goma
2. Empulgueras
3. Cubierta de la bisagra
4. Bisagra superior
5. Cubierta del orificio de tornillo
6. Bisagra inferior
7. Pie sólido
8. Solenoide



INSTRUCCIONES DE OPERACIÓN

CARACTERÍSTICAS

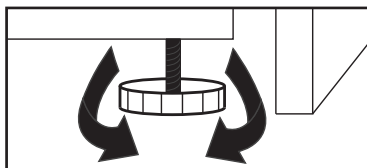
1. **Pantalla y controles electrónicos:** Para ver y regular la temperatura.
2. **Manija**
3. **Puerta de vidrio Templado:** Permite ver fácilmente el interior. Polarizadas para proteger contra la radiación UV.
4. **Estantes con aspecto de acero inoxidable**
5. **Juntas Magnéticas de la puerta:** Las juntas ajustadas mantienen todo el poder de enfriamiento.
6. **Pie de nivelación**



INSTRUCCIONES DE NIVELACIÓN

Hay dos pies ajustables en la parte inferior del aparato que se pueden subir o bajar para asegurarse de que el aparato esté nivelado.

1. Gire las pies niveladoras en el sentido contrario a las agujas hasta que la parte superior de los pies toque la parte inferior del gabinete.
2. Gire lentamente los pies de nivelación en sentido horario hasta que el aparato esté nivelado.



PANEL DE CONTROL

1. **Botón de encendido:** Pulse este botón para encender el aparato. Mantenga presionado este botón durante 3 segundos para apagar el aparato.
2. **Botón de luz**
3. **Luz de encendido:** Se ilumina para indicar que el modo de refrigeración está en funcionamiento.
4. **Pantalla para la temperatura programada**
5. **Pantalla para la temperatura actual**
6. **°C/°F:** La luz indicadora adyacente indica qué escala de temperatura se visualiza.
7. **Botones arriba y abajo:** Se utiliza para subir o bajar la temperatura programada en incrementos de 1°.



LUZ INTERIOR

Por defecto, la luz interior se encenderá y apagará cuando la puerta esté abierta o cerrada.

Presione el botón de luz una vez para apagar la luz mientras la puerta está abierta. La luz volverá a funcionar por defecto cuando la puerta esté cerrada.

Presione el botón de luz dos veces para ajustar la luz a la iluminación continua. La luz permanecerá encendida cuando la puerta esté abierta y cerrada.

Cuando la luz se ajusta a iluminación continua, presione el botón de luz una vez para volver al funcionamiento predeterminado.

INSTRUCCIONES DE OPERACIÓN

INSTRUCCIÓN DE FUNCIÓN

El ajuste de temperatura predeterminado es 54°F (12°C). La escala de temperatura predeterminada es °F.

Para cambiar la visualización entre °F y °C, pulse los botones Arriba y Abajo simultáneamente durante aproximadamente 3-5 segundos.

La temperatura se puede ajustar tan bajo como 36°F (2°C) o tan alto como 64°C (18°C).

La temperatura real dentro del aparato puede variar en función de la temperatura ambiente, la frecuencia con la que se abre la puerta y el número de botellas calientes que se han añadido recientemente al aparato.

Cada presión de los botones Arriba y Abajo ajustará la temperatura en incrementos de 1°.

Alarma de puerta abierta: Si la puerta no se cierra por completo durante 5 minutos, sonará una alarma. Cierre la puerta para silenciar la alarma.

Si la puerta está cerrada y la alarma sigue sonando, verifique que el actuador en la parte inferior de la puerta esté en contacto con el interruptor del aparato.

Memoria de Temperatura: Si el aparato pierde potencia, el panel de control recordará la temperatura ajustada. Una vez restablecida la alimentación, el aparato volverá a funcionar de forma automática.

Alarma de Temperatura: Si la temperatura interna del gabinete es superior a 73°F (23°C) durante una hora, el código de error "HI" aparecerá en el panel de la pantalla y sonará una alarma.

Si la temperatura interna del gabinete es inferior a 32°F (0°C) el código de error "LO" aparecerá en el panel de la pantalla y sonará una alarma.

Si la temperatura interna del gabinete permanece a 32°F (0°C) durante más de 30 minutos, el código de error "CL" aparecerá en el panel de la pantalla y sonará una alarma. El aparato dejará de funcionar para evitar que el contenido se congele.

INSTRUCCIONES DE ALMACENAMIENTO

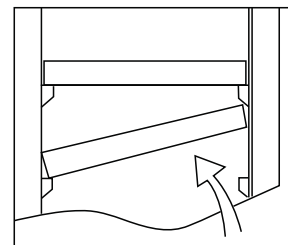
Este centro de bebidas tiene una capacidad máxima de 124 latas en 355 ml de tamaño.

1. El primer estante sostiene 18 latas que ponen en sus lados.
2. Los dos estantes siguientes tienen 35 latas cada uno.
3. La sección inferior tiene 36 botes, cuando los botes se apilan colocando en sus lados.

INSTRUCCIONES DE ESTANTERÍA

No cubra los estantes con papel de aluminio ni ningún otro material ya que esto impedirá el flujo de aire dentro del gabinete y puede afectar negativamente la temperatura interior del gabinete.

1. Para quitar un estante, incline hacia arriba un lado y tire hacia fuera.
2. Para reemplazar un estante, asegúrese de que está apoyado firmemente en los soportes y empuje hacia dentro hasta que encaje en su lugar.



CUIDADO Y MANTENIMIENTO

LIMPIEZA

Asegúrese de que la unidad esté desenchufada antes de limpiar cualquier parte del aparato.

- Para limpiar el interior del aparato, utilice un paño suave y una solución de una cucharada de bicarbonato de sodio a un litro de agua o una solución de jabón suave o algún detergente suave.
- Lave los estantes removibles en una solución de detergente suave, luego seque y limpie con un paño suave.
- Limpie el exterior con un paño suave y húmedo y un poco de detergente suave.
- Es importante mantener el área limpia donde la puerta sella contra el gabinete. Limpie este área con un paño jabonoso. Enjuague con un paño húmedo y deje secar.

Nota: No utilice limpiadores que contengan amoníaco o alcohol en el aparato. El amoníaco o el alcohol pueden dañar el aspecto del aparato. Nunca utilice limpiadores comerciales o abrasivos ni objetos afilados en ninguna parte del aparato.

FALLO DE ALIMENTACIÓN

La mayoría de las fallas de alimentación se corrigen en pocas horas y no deben afectar la temperatura de su aparato si minimiza el número de veces que se abre la puerta. Si la alimentación va a estar apagada por un período de tiempo más largo, tome las medidas apropiadas para proteger su contenido.

Nota: Espere de 3 a 5 minutos antes de intentar reiniciar el refrigerador si se ha interrumpido la operación.

CÓDIGOS DE ERROR

Si los códigos de error "HI", "LO" o "CL" aparecen en la pantalla durante más de 5 minutos, un restablecimiento de alimentación puede solucionar el problema. Desconecte el aparato, espere 5 minutos y vuelva a enchufar la unidad. Si el código de error persiste después de un reinicio de corriente, póngase en contacto con el servicio de atención al consumidor o un agente de servicio autorizado.

DESCONGELAR

Esta unidad está equipada con una función de descongelación automática y no requiere descongelación manual. El agua de descongelación del aparato se canaliza en una bandeja de goteo situada por encima del compresor. La transferencia de calor desde el compresor hace que el agua de descongelación se evapore.

VACACIONES

- **Vacaciones cortas:** Deje el aparato en funcionamiento durante las vacaciones de menos de tres semanas.
- **Largas vacaciones:** Si el aparato no se va a utilizar durante varios meses, retire todos los artículos y apague el aparato. Limpie y seque el interior a fondo. Para evitar el olor y el moho, deje la puerta ligeramente abierta, bloqueándola si es necesario.

MUDARSE

- Asegúrese de que el electrodoméstico esté vacío.
- Asegure los estantes con cinta.
- Asegure la puerta con cinta.
- Gire el pie ajustable hacia la base para evitar daños.
- Proteja el exterior del electrodoméstico con una manta o artículo similar.
- Asegúrese de que el electrodoméstico permanezca en posición vertical durante el transporte.
- Si el electrodoméstico se coloca de espaldas o de lado durante el transporte, al llegar al destino, déjelo en posición vertical durante 6 horas antes de enchufarlo para evitar daños a los componentes internos.

DISPOSICIÓN

Este aparato no puede ser tratado como un residuo doméstico normal, sino que debe ser llevado al punto de recogida de residuos apropiado para el reciclaje de componentes eléctricos. Para obtener información sobre los puntos de recogida de residuos locales, póngase en contacto con la agencia local de eliminación de residuos o con la oficina gubernamental.

SOLUCIÓN SUGERIDA

Danby cuidado del consumidor: 1-800-263-2629

Horas de operación:

Lunes a Jueves 8:30 am - 6:00 pm Hora estándar del este

Viernes 8:30 am - 4:00 pm Hora estándar del este

La información de este manual está sujeta a cambios sin previo aviso.

PROBLEMA	POSSIBLE CAUSA
No funciona	<ul style="list-style-type: none">• Un fusible en su casa puede soplarse o el interruptor de circuito disparado• El enchufe no está completamente insertado en la toma de corriente
La temperatura interna no es lo suficientemente fría El aparato funciona continuamente Sonido de alarma y "HI" en el panel de visualización	<ul style="list-style-type: none">• La puerta no se cierra correctamente o se abre demasiado• El respiradero de escape está obstruido• Recientemente se agregó una gran cantidad de botellas calientes al gabinete• Muy cerca de la fuente de calor o de la luz solar directa• La temperatura ambiente o la humedad es muy alta• Posible pérdida del sistema, fallo del ventilador del evaporador o falla del compresor
Condensación en el armario o en la puerta	<ul style="list-style-type: none">• La puerta no se cierra correctamente o se abre demasiado• La temperatura ambiente o la humedad es muy alta
Sonido de alarma y "LO" o "CL" en el panel de visualización	<ul style="list-style-type: none">• La temperatura ambiente es excesivamente baja• Error del sensor• La temperatura del evaporador es demasiado baja

GARANTÍA LIMITADA "A DOMICILIO"

Este producto de calidad está garantizado contra defectos de fabricación, incluyendo partes y mano de obra, siempre y cuando la unidad se utilice bajo las condiciones normales de funcionamiento para las que fue diseñado. Esta garantía está solamente disponible para la persona que haya comprado originalmente esta unidad directamente de Danby Products Limited (Canada) o Danby Products Inc. (U.S.A.) (en adelante "Danby") o uno de sus distribuidores autorizados, y no es transferible.

CONDICIONES DE LA GARANTÍA

Las piezas plásticas, se autorizan por treinta (30) días solamente a partir de la fecha de la compra, sin las extensiones proporcionadas.

Primeros 12 meses Durante los primeros **doce (12) meses**, cualquier parte en buen estado de este producto que resulte defectuosa, incluyendo cualquier sistema sellado, será reparado o reemplazado, a opción del fabricante, sin cargo para el comprador ORIGINAL.

Para obtener servicio Comuníquese con el distribuidor donde haya comprado la unidad, o llame al Taller de Servicio Autorizado más cercano, donde debe ser reparada por un técnico calificado. Si esta unidad es reparada en otro lugar que no sea un Taller de Servicio Autorizado, o si la unidad se utiliza para aplicaciones comerciales, Danby no se hará responsable de ninguna forma y la garantía será anulada.

Límites del servicio técnico a domicilio Danby se reserva el derecho de limitar la cobertura de "Servicio en Domicilio" sujeto a la proximidad de un **Taller de Servicio Autorizado**. Para todo artefacto que requiera servicio fuera del área limitada de "Servicio en Domicilio", el cliente será responsable por transportar dicho artefacto hasta el Taller de Servicio Autorizado más cercano. Si el electrodoméstico está instalado en un lugar que se encuentra a **100 kilómetros (62 millas)** o más del centro de servicios más cercano, se debe llevar la unidad al Centro de servicios Danby autorizado más cercano, ya que dicho servicio sólo puede realizarlo un técnico calificado y certificado por Danby para prestar servicios de garantía.

Los cargos por transporte desde y hacia el lugar en que se efectúe el servicio técnico no están cubiertos por esta garantía y son de responsabilidad del comprador.

Nada dentro de esta garantía implica que Danby será responsable por cualquier daño que hayan sufrido los alimentos u otros contenidos de este aparato, ya sea debido a un defecto del aparato, o su uso, adecuado o inadecuado.

EXCLUSIONES

Salvo lo aquí indicado por Danby, no existen otras garantías, condiciones o representaciones, explícitas o implícitas, concretas o intencionales por parte de Danby o sus distribuidores autorizados y todas las demás garantías, condiciones o representaciones, incluyendo cualquier garantía, condiciones o representaciones bajo cualquier Acta de Venta de Productos o legislación o estatuto similar, quedan de esta forma expresamente excluidas. **Salvo lo aquí indicado, Danby no serán responsables por ningún daño a personas o bienes, incluyendo la propia unidad, sin importar su causa, o de ningún daño indirecto causado por el desperfecto de la unidad, y al comprar esta unidad, el comprador acepta por la presente, indemnizar y proteger a Danby contra cualquier reclamo por daños a personas o bienes causados por la unidad.**

CONDICIONES GENERALES

No se considerará ninguna de estas garantías o seguros cuando el daño o la necesidad de reparación sea el producto de los siguientes casos:

- 1) Falla del suministro eléctrico.
- 2) Daños en tránsito o durante el transporte de la unidad.
- 3) Alimentación incorrecta, como bajo voltaje, instalación eléctrica defectuosa o fusibles inadecuados.
- 4) Accidente, modificación, abuso o uso incorrecto del artefacto, tal como insuficiente ventilación del ambiente o condiciones de operación anormales (temperatura ambiente extremadamente alta o baja).
- 5) Utilización comercial o industrial (v.g., si el electrodoméstico no está instalado en una vivienda particular).
- 6) Incendio, daños por agua, robo, guerra, disturbios, hostilidades, actos de fuerza mayor como huracanes, inundaciones, etc.
- 7) Pedidos de servicio debido a desinformación del usuario.
- 8) Instalación inadecuada (v.g., instalación empotrada de un electrodoméstico diseñado como unidad independiente o uso de un electrodoméstico al aire libre que no esté aprobado para dicho fin, incluyendo pero no limitado a: garajes, patios, porches o en cualquier lugar que no esté bien aislado o controlado por el clima).

Se requerirá una prueba de la fecha de compra para reclamaciones de garantía; Retener las facturas de venta. En el caso de que se requiera servicio de garantía, presente el comprobante de compra a nuestro depósito de servicio autorizado.

Servicio de Garantía
Servicio en Domicilio

Danby Products Limited
PO Box 1778, Guelph, Ontario, Canada N1H 6Z9
Telephone: (519) 837-0920 FAX: (519) 837-0449

1-800-263-2629
04/17

Danby Products Inc.
PO Box 669, Findlay, Ohio, U.S.A. 45840
Telephone: (419) 425-8627 FAX: (419) 425-8629

MODEL • MODÈLE • MODELO
DBC434A1BSSDD

DANBY PRODUCTS LIMITED, ONTARIO, CANADA N1H 6Z9
DANBY PRODUCTS INC., FINDLAY, OHIO, USA 45840

Printed in China
Imprimé en Chine
Impreso en China